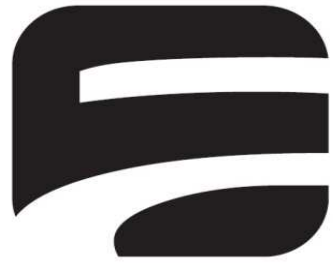


# asber



## MODELOS/MODELS

AESP 18-2 NG

AESP 48-4 NG

AESP 18-2 LP

AESP 48-4 LP

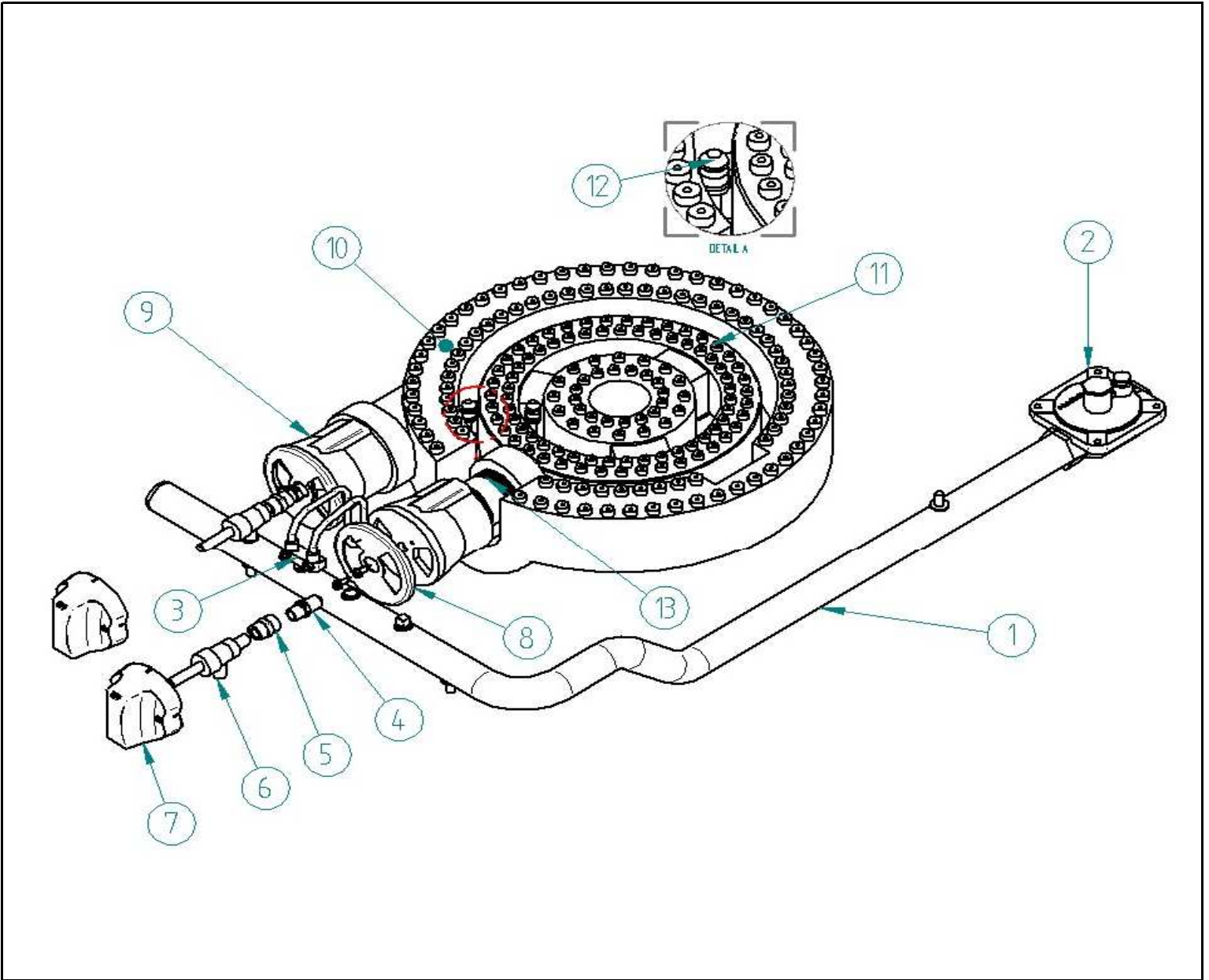
RANGES/ HORNILLO

AESP 18-2 NG CODE. 1150080102

AESP 48-4 NG CODE. 1150080202

AESP 18-2 LP CODE. 1150080103

AESP 48-4 LP CODE. 1150080203



Notes:

---

---

---

---

---

---

---

---

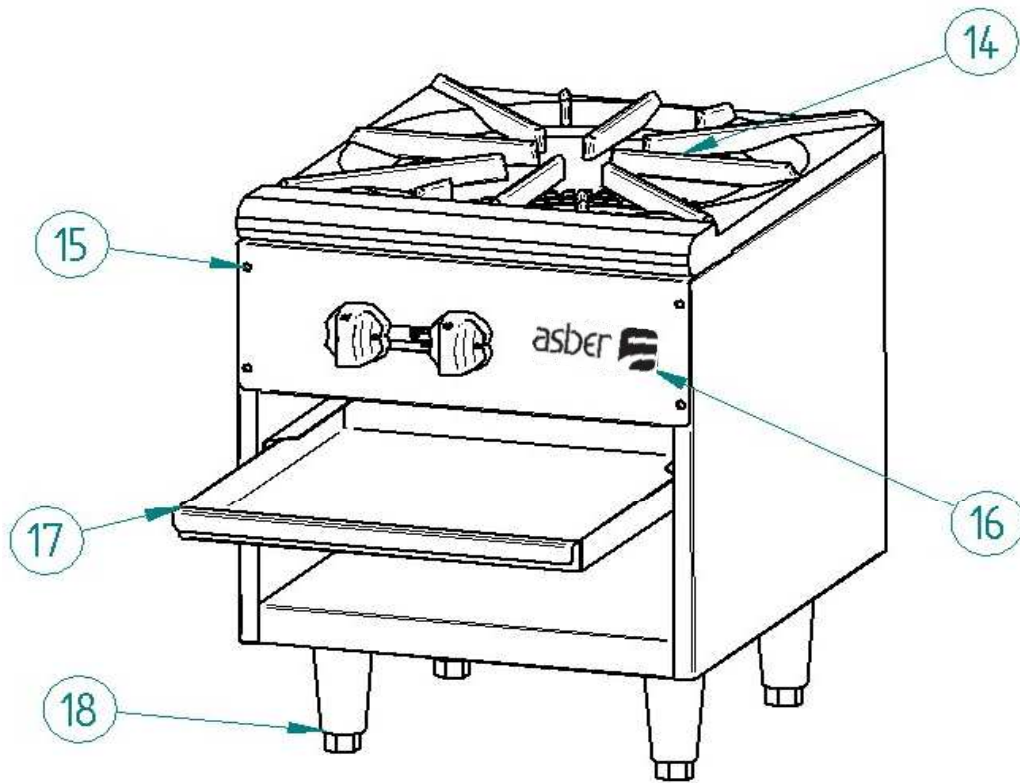
RANGES/ HORNILLO

AESP 18-2 NG CODE. 1150080102

AESP 48-4 NG CODE. 1150080202

AESP 18-2 LP CODE. 1150080103

AESP 48-4 LP CODE. 1150080203



Notes:

---

---

---

---

---

---

---

---

## RANGES/ HORNILLO

AESP 18-2 NG CODE. 1150080102

AESP 48-4 NG CODE. 1150080202

AESP 18-2 LP CODE. 1150080103

AESP 48-4 LP CODE. 1150080203



Nº	CODE CÓDIGO	DESCRIPTION	DESCRIPCIÓN	AESP 18-2 LP	AESP48-4 LP	AESP 18-2 NG	AESP48-4 NG
1	S895002000	MANIFOLD ASSY STOVE 18 "	MANIFOLD COMPL HORNILLO 18"	1 pz		1 pz	
1	S895003000	MANIFOLD ASSY STOVE 48 "	MANIFOLD COMPL HORNILLO 48"		1 pz		1 pz
2	S852131000	MAXITROL RV48CL CONTROLLER	REGULADOR MAXITROL RV48CL	1 pz	1 pz	1 pz	1 pz
3	S905007000	PILOT AP6-1 DOUBLE VALVE	VALVULA DOBLE PILOTO AP6-1	1 pz	2 pz	1 pz	2 pz
4	S892402000	ORIFICE 52	TOBERA 52	2 pz	4 pz		
4	S892402000	ORIFICE 36	TOBERA 36			2 pz	4 pz
5	S855011200	THREADED COUPLING 1/8 NPT	COPELE ROSCADO 1/8 NPT	2 pz	4 pz	2 pz	4 pz
6	S862101000	TAP	GRIFO	2 pz	4 pz	2 pz	4 pz
7	S862106000	ASBER KNOB	BOTON MANDO ASBER	2 pz	4 pz	2 pz	4 pz
8	S872714000	TOP VENTURY	TAPA VENTURY	2 pz	4 pz	2 pz	4 pz
9	S895706000	1 1/4 "NPT AIR REGULATOR	REGULADOR DE AIRE 1 1/4" NPT	2 pz	4 pz	2 pz	4 pz
10	S895702000	LARGE CONCENTRIC BURNER	QUEMADOR CONCENTRICO GRANDE	1 pz	2 pz	1 pz	2 pz
11	S895701000	BURNER CONCENTRIC GUY	QUEMADOR CONCENTRICO CHICO	1 pz	2 pz	1 pz	2 pz
12	S865006000	PILOT TIP A73007	PILOT TIP A73007	2 pz	4 pz	2 pz	4 pz
13	S895710000	QUEM HOR TUBE 1 1 / 4 X 3 1/2 CD10	TUBO QUEM HOR 1 1/4X3 1/2 CD10	1 pz	2 pz	1 pz	2 pz
13	S895709000	QUEM HOR TUBE 1 1 / 4 X 1 1/8 CD10	TUBO QUEM HOR 1 1/4X1 1/8 CD10	1 pz	2 pz	1 pz	2 pz
14	S895704000	STOVE TOP GRILL	PARRILLA SUPERIOR HORNILLO	1 pz	2 pz	1 pz	2pz
15	S892818000	PANEL CONTROL PANEL STOVE 18	PANEL PORTAMANDOS HORNILLO 18	1 pz		1 pz	
15	S892809000	HOLDER CONTROLS STOVE 48	PORTAMANDO HORNILLO 48		1 pz		1 pz
16	S862826000	ASBER PLATE	PLACA ASBER	1 pz	1 pz	1 pz	1pz
17	S892626000	TRAY RECOJEGRASAS HOR	BANDEJA RECOJEGRASAS HOR	1 pz		1 pz	
17	S892630000	TRAY 48 HORN RECOJEGRASAS	BANDEJA RECOJEGRASAS HORN 48		1 pz		1 pz
18	S852610000	ADJUSTABLE LEGS	Pata Regulable	4 pz	4 pz	4 pz	4 pz
	S855085000	ALUMINUM TUBE 3/16 320	TUBO ALUM 3/16 320	1 pz	2 pz	1 pz	2 pz
	S855080000	ALUMINUM TUBE 3/16 350	TUBO ALUM 3/16 350	1 pz	2 pz	1 pz	2 pz