

**INSTALLATION  
AND  
OPERATING  
INSTRUCTIONS**

**Models: FDB, FDDB, FDLB & FDDL B**

**OVERHEAD FOODWARMERS**

**INTENDED FOR OTHER THAN HOUSEHOLD USE**

**RETAIN THIS MANUAL FOR FUTURE REFERENCE  
UNIT MUST BE KEPT CLEAR OF COMBUSTIBLES AT ALL TIMES**



**FOR YOUR SAFETY:** Do not store or use gasoline or other flammable vapors and liquids in the vicinity of this or any other appliance.



**WARNING:** Improper installation, adjustment, alteration, service or maintenance can cause property damage, injury or death. Read the Installation, Operating and Maintenance Instructions thoroughly before installing or servicing this equipment.



Initial heating of unit may generate smoke or fumes and must be done in a well ventilated area. Overexposure to smoke or fumes may cause nausea or dizziness.

This equipment has been engineered to provide you with year-round dependable service when used according to the instructions in this manual and standard commercial kitchen practices.



Phone: +1 (214) 421-7366  
Fax: +1 (214) 565-0976  
Toll Free: +1 (800) 527-2100  
Website: [www.apwwyott.com](http://www.apwwyott.com)  
E-mail: [info@apwwyott.com](mailto:info@apwwyott.com)

P/N 70499175 Rev. 9/05

**APW WYOTT**  
729 Third Avenue  
Dallas, TX 75226

# TABLE OF CONTENTS

| SECTION | ITEM                             | PAGE |
|---------|----------------------------------|------|
| 1       | General Information -----        | 2    |
| 2       | Electrical Requirements -----    | 2    |
| 3       | Electrical Specifications -----  | 3    |
| 4       | Overall Dimensions -----         | 4    |
| 5       | Installation -----               | 5    |
| 6       | Operation -----                  | 5    |
| 7       | Cleaning -----                   | 5    |
| 8       | Troubleshooting -----            | 5    |
| 9       | Wiring Diagrams -----            | 6    |
|         | A.    FDB-120V -----             | 6    |
|         | B.    FDC-208/240 -----          | 6    |
|         | C.    FDLB-120V -----            | 7    |
|         | D.    FDLB-208/240V -----        | 7    |
|         | E.    FDLB-120V w/Fuse -----     | 8    |
|         | F.    FDDB-120V -----            | 8    |
|         | G.    FDDB-208/240V -----        | 9    |
|         | H.    FDDLB-120V -----           | 9    |
|         | I.    FDDLB-208/240V -----       | 10   |
|         | J.    FDDLB-208/240 w/Fuse ----- | 10   |
| 10      | Parts List & Exploded View ----- | 11   |
| 11      | Warranty -----                   | 14   |

## 1. GENERAL INFORMATION

- A. APW Wyott Overhead Foodwarmers are constructed from high quality stainless steel and available in lengths from 18" to 72". Utilizing a metal sheath heating element with a specially designed black aluminum extrusion, these units give uniform heat over the entire holding surface.

## 2. ELECTRICAL REQUIREMENTS

- A. Single phase operation at 120, 208, and 240 volts.  
B. Field-wired units provided with ½" conduit knockout and terminal blocks easily accessed through control box access plate. For supply connections, use minimum no. 14 AWG copper wires suitable for at least 90°C.

### 3. ELECTRICAL SPECIFICATIONS

| STANDARD BLACK RADIANT OVERHEADS THERMOSTAT AND ROCKER SWITCH CONTROL |                |                 |      |         |      |         |
|---|----------------|-----------------|------|---------|------|---------|
| MODEL   | WATTS<br>CIR-1 | VOLTS - RATINGS |      |         |      |         |
|   |                | 120             | 208  | 120/208 | 240  | 120/240 |
| FDB-18  | 400            | 3.3             | 1.9  | ~       | 1.7  | ~       |
| FDLB-18   | 480            | 4.0             | ~    | 2.6     | ~    | 2.3     |
| FDDB-18   | 800            | 6.7             | 3.8  | ~       | 3.3  | ~       |
| FDDLB-18  | 880            | 7.3             | ~    | 4.5     | ~    | 4.0     |
| FDB-24  | 575            | 4.8             | 2.8  | ~       | 2.4  | ~       |
| FDLB-24   | 655            | 5.5             | ~    | 3.4     | ~    | 3.1     |
| FDDB-24   | 1150           | 9.6             | 5.5  | ~       | 4.8  | ~       |
| FDDLB-24  | 1230           | 10.3            | ~    | 6.2     | ~    | 5.5     |
| FDB-30  | 760            | 6.3             | 3.7  | ~       | 3.2  | ~       |
| FDLB-30   | 840            | 7.0             | ~    | 4.3     | ~    | 3.8     |
| FDDB-30   | 1520           | 12.7            | 7.3  | ~       | 6.3  | ~       |
| FDDLB-30  | 1600           | 13.3            | ~    | 8.0     | ~    | 7.0     |
| FDB-36  | 920            | 7.7             | 4.4  | ~       | 3.8  | ~       |
| FDLB-36   | 1080           | 9.0             | ~    | 5.8     | ~    | 5.2     |
| FDDB-36   | 1840           | 15.3            | 8.8  | ~       | 7.7  | ~       |
| FDDLB-36  | 2000           | 16.7            | ~    | 10.2    | ~    | 9.0     |
| FDB-42  | 1100           | 9.2             | 5.3  | ~       | 4.6  | ~       |
| FDLB-42   | 1260           | 10.5            | ~    | 6.6     | ~    | 5.9     |
| FDDB-42   | 2200           | ~               | 10.6 | ~       | 9.2  | ~       |
| FDDLB-42  | 2360           | ~               | ~    | 11.9    | ~    | 10.5    |
| FDB-48  | 1265           | 10.5            | 6.1  | ~       | 5.3  | ~       |
| FDLB-48   | 1425           | 11.9            | ~    | 7.4     | ~    | 6.6     |
| FDDB-48   | 2530           | ~               | 12.2 | ~       | 10.5 | ~       |
| FDDLB-48  | 2690           | ~               | ~    | 13.5    | ~    | 11.9    |
| FDB-54  | 1425           | 11.9            | 6.9  | ~       | 5.9  | ~       |
| FDLB-54   | 1585           | 13.2            | ~    | 8.2     | ~    | 7.3     |
| FDDB-54   | 2850           | ~               | 13.7 | ~       | 11.9 | ~       |
| FDDLB-54  | 3010           | ~               | ~    | 15.0    | ~    | 13.5    |
| FDB-60  | 1610           | 13.4            | 7.7  | ~       | 6.7  | ~       |
| FDLB-60   | 1850           | 15.4            | ~    | 9.7     | ~    | 8.7     |
| FDDB-60   | 3220           | ~               | 15.5 | ~       | 13.4 | ~       |
| FDDLB-60  | 3460           | ~               | ~    | * 17.5  | ~    | 15.4    |
| FDB-66  | 1800           | 15.0            | 8.7  | ~       | 7.5  | ~       |
| FDLB-66   | 2040           | * 17.0          | ~    | 10.7    | ~    | 9.5     |
| FDDB-66   | 3600           | ~               | 17.3 | ~       | 15.0 | ~       |
| FDDLB-66  | 3840           | ~               | ~    | * 19.3  | ~    | * 17.0  |
| FDB-72  | 1980           | ~               | 9.5  | ~       | 8.3  | ~       |
| FDLB-72   | 2220           | ~               | ~    | 11.5    | ~    | 10.3    |
| FDDB-72   | 3960           | ~               | 19.0 | ~       | 16.5 | ~       |
| FDDLB-72  | 4200           | ~               | ~    | * 21.0  | ~    | * 18.5  |

|   |                         |
|---|-------------------------|
| * | REQUIRES 3 AMP FUSE     |
| * | REQUIRES 30 AMP CIRCUIT |

**NOTE:** TO AVOID BURNING OR CHARRING OF MATERIALS IN THE SURFACE BELOW THE FOODWARMER USE ONLY ABOVE AN ALL-METAL STRUCTURE SUCH AS A TABLE OR COUNTERTOP. SEE MINIMUM CLEARANCE CHART ABOVE.

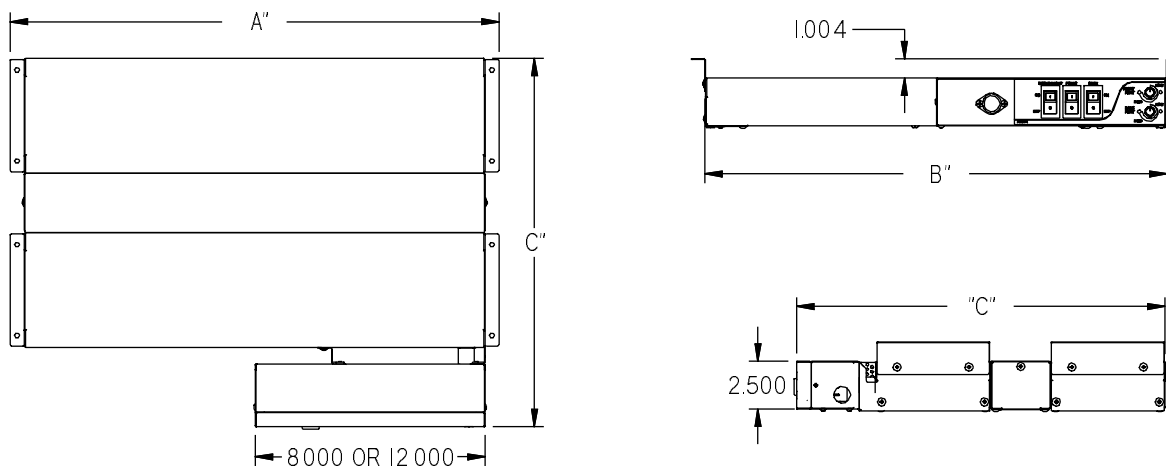
REMOTE SWITCHES ARE RECOMMENDED FOR UNDER SHELF MOUNTING. LONGER SWITCH LIFE WILL RESULT FROM COOLER SWITCH MOUNTING LOCATIONS.

**WARNING:** ELECTRICAL SHOCK HAZARD. FAILURE TO FOLLOW THE INSTRUCTIONS IN THIS MANUAL COULD RESULT IN SERIOUS INJURY OR DEATH.

- Electrical Ground is required on this appliance.
- Do not modify the power supply cord plug. If it does not fit into the outlet, have the proper outlet installed by a qualified electrician
- Do not use an extension cord with this appliance.
- Check with a qualified electrician if you are unsure as to whether the appliance is properly grounded.

#### 4. OVERALL DIMENSIONS

##### FDB / FDLB / FDDB / FDDL B MODELS



| A"    | B"    | MODEL          | C"    | MODEL   | C"     | MODEL  | C"    |
|-------|-------|----------------|-------|---------|--------|--------|-------|
| 19.55 | 18.12 | FDDB/FDDL B-18 | 19.26 | FDLB-18 | 13.255 | FDB-18 | 10.13 |
| 25.55 | 24.12 | FDDB/FDDL B-24 | 19.26 | FDLB-24 | 13.255 | FDB-24 | 10.13 |
| 31.55 | 30.12 | FDDB/FDDL B-30 | 19.26 | FDLB-30 | 13.255 | FDB-30 | 10.13 |
| 37.55 | 36.12 | FDDB/FDDL B-36 | 19.26 | FDLB-36 | 13.255 | FDB-36 | 10.13 |
| 43.55 | 42.12 | FDDB/FDDL B-42 | 19.26 | FDLB-42 | 13.255 | FDB-42 | 10.13 |
| 49.55 | 48.12 | FDDB/FDDL B-48 | 19.26 | FDLB-48 | 13.255 | FDB-48 | 10.13 |
| 55.55 | 54.12 | FDDB/FDDL B-54 | 19.26 | FDLB-54 | 13.255 | FDB-54 | 10.13 |
| 61.55 | 60.12 | FDDB/FDDL B-60 | 19.26 | FDLB-60 | 13.255 | FDB-60 | 10.13 |
| 67.55 | 66.12 | FDDB/FDDL B-66 | 19.26 | FDLB-66 | 13.255 | FDB-66 | 10.13 |
| 73.55 | 72.12 | FDDB/FDDL B-72 | 19.26 | FDLB-72 | 13.255 | FDB-72 | 10.13 |

## 5. INSTALLATION

- A. Always clean equipment thoroughly before first use (See cleaning instructions).
- B. Provide the following clearances around foodwarmer:
  - 1. Single model minimum distance to non-combustible surface below = 4" to 10". Dual model minimum distance to non-combustible surface below = 8" to 14". For combustible surface, install the single and dual not closer than 13-1/2" to surface below.
  - 2. Minimum distance to side (end) walls = 2".
  - 3. Minimum distance to back walls = 2".
  - 4. Minimum distance to ceiling = 1".
- C. Consult foodwarmer rating label for model designation and correct operating voltage and amperage.
- D. Ceiling mounting brackets are provided with each foodwarmer for chain or shelf mounting. Remove brackets from packaging and screws from ends of foodwarmer to attach brackets. Use four #10 screws or studs with locknuts for shelf mounting. For chain mounting, use #14 jack chain and "S" hooks.
- E. Remote switches are recommended. Longer switch life will result from cooler switch mounting locations. Optional stainless steel remote units with 3/6 inch conduit are available. Installation of remote box by service personnel requires 14 AWG copper wires suitable for at least 90°C. Mount remote box to flat surface with 4 #10 screws or studs with locknuts. All wires marked as shown on wiring diagram. Mount remote box to flat surface with two #10 screws or studs with locknuts. All wires marked as shown on wiring diagram.
- F. Optional tubular stands are available for permanently mounting foodwarmers to non-combustible countertops.
- G. Optional portable legs are available for foodwarmers for use over non-combustible countertops.

## 6. OPERATION

- A. All foodservice equipment should be operated by trained personnel.
- B. Do not allow your customers to come in contact with any surface labeled "CAUTION HOT".
- C. Switch on unit. Place precooked product under heat source. Maximum heat coverage equivalent to unit length.
- D. Never hold food below 150°F.

## 7. CLEANING

- A. Never clean any electrical unit by immersing it in water.
- B. Never clean any electrical unit using water jets.
- C. Disconnect power before cleaning or servicing units.
- D. Clean unit daily. Use warm, soapy water. Mild cleansers and non-abrasive pads may be used to remove baked-on food.

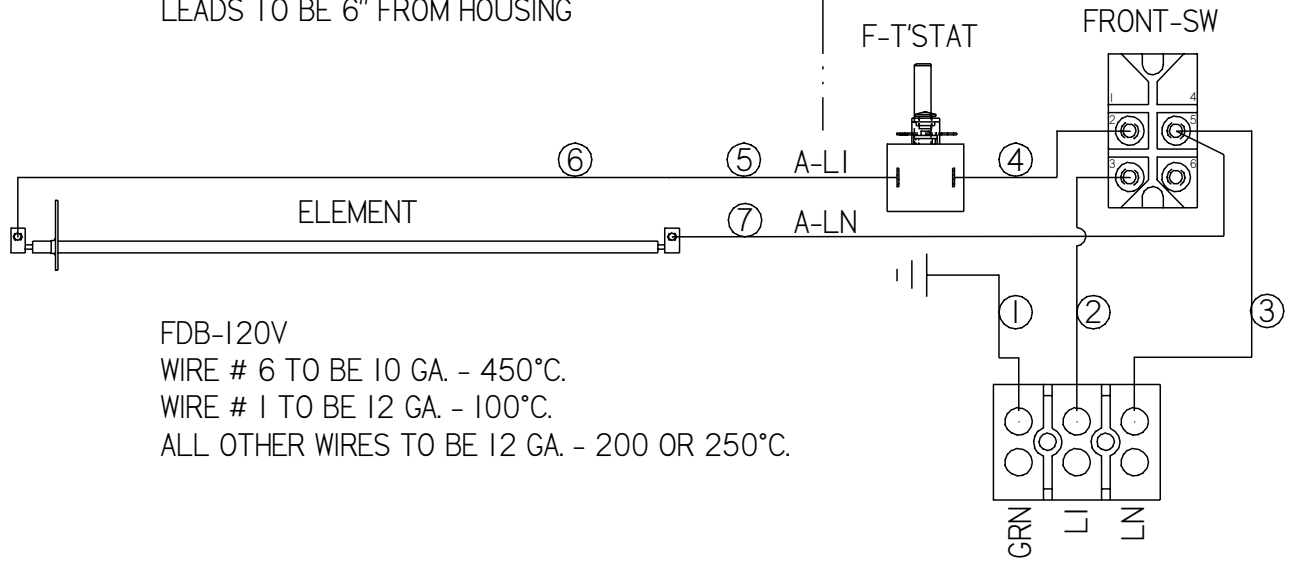
## 8. TROUBLESHOOTING

- A. Always ask and check:
  - 1. Is the unit connected to a live power source?
  - 2. Check the circuit breaker.
  - 3. Is power switch on and pilot light illuminating?
  - 4. Check the rating label. Is the unit operating on proper voltage?
- B. If the above checks out, and problems still exist, call an APW Wyott authorized service agency.
- C. All service should be performed by an APW Wyott authorized service agency.

## 9. WIRING DIAGRAMS

### A. FDB-120V WIRING DIAGRAM

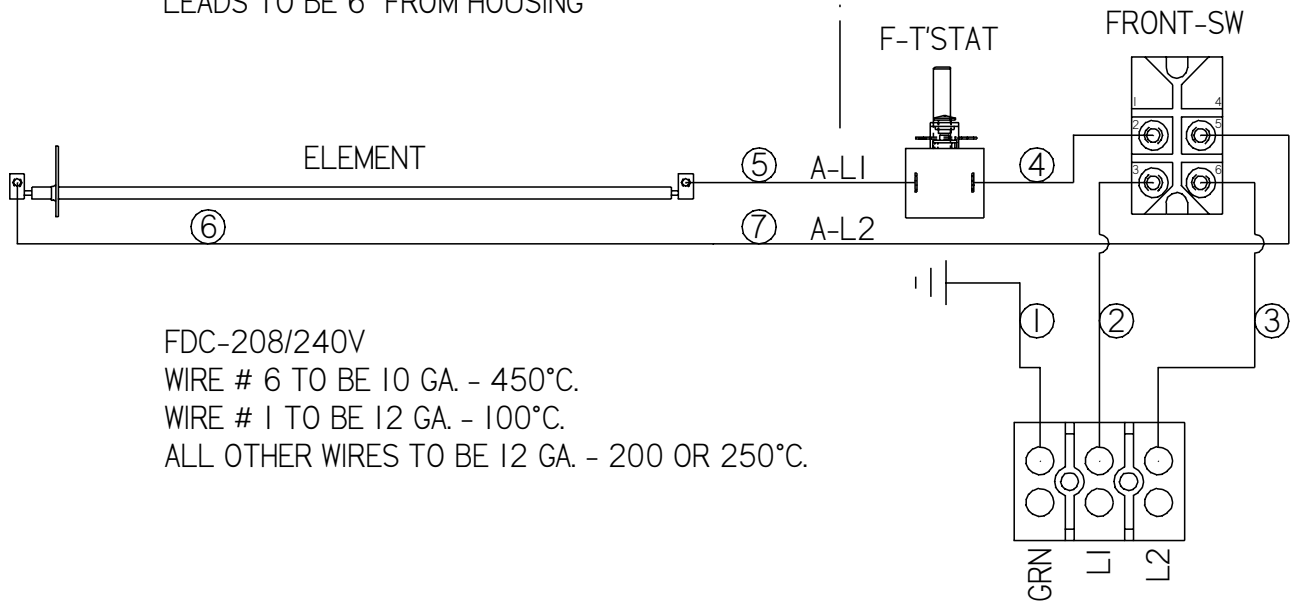
FOR REMOTE MODELS  
 LABEL LEAD WIRES AS SHOWN.  
 LEADS TO BE 6" FROM HOUSING



FDB-120V  
 WIRE # 6 TO BE 10 GA. - 450°C.  
 WIRE # 1 TO BE 12 GA. - 100°C.  
 ALL OTHER WIRES TO BE 12 GA. - 200 OR 250°C.

### B. FDB-208/240V WIRING DIAGRAM

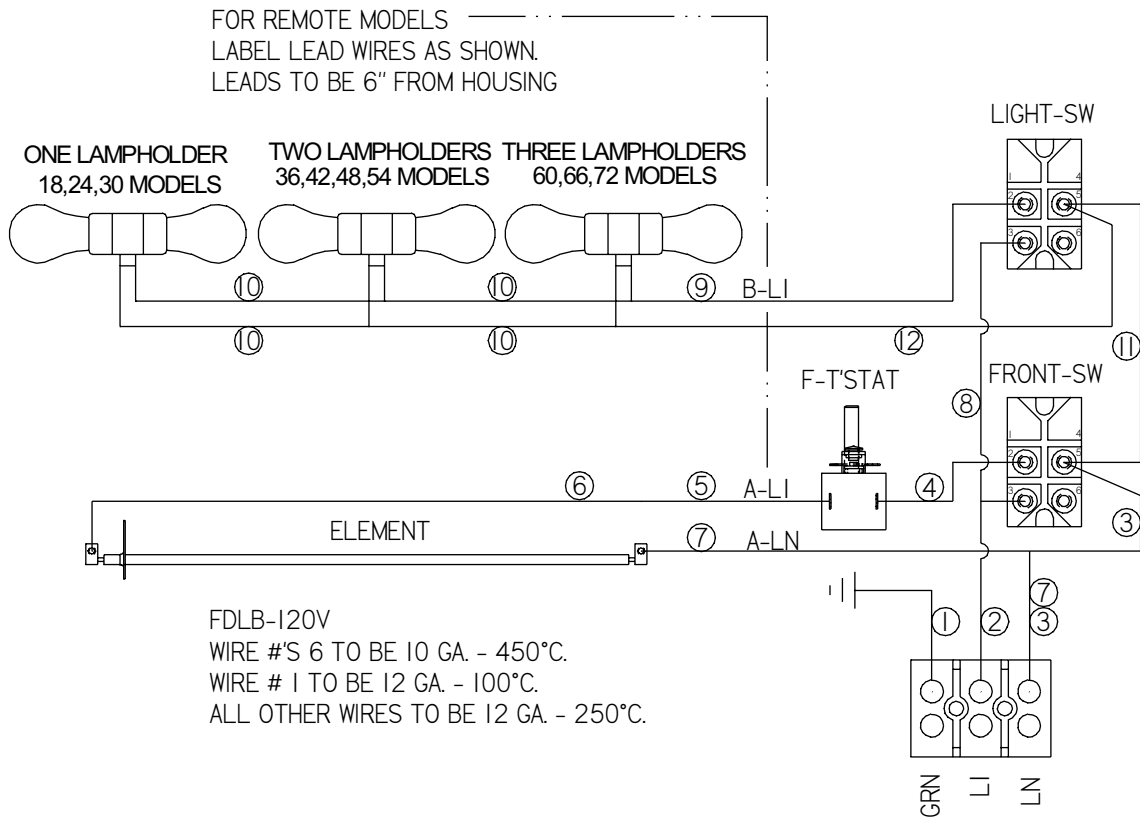
FOR REMOTE MODELS  
 LABEL LEAD WIRES AS SHOWN.  
 LEADS TO BE 6" FROM HOUSING



FDB-208/240V  
 WIRE # 6 TO BE 10 GA. - 450°C.  
 WIRE # 1 TO BE 12 GA. - 100°C.  
 ALL OTHER WIRES TO BE 12 GA. - 200 OR 250°C.

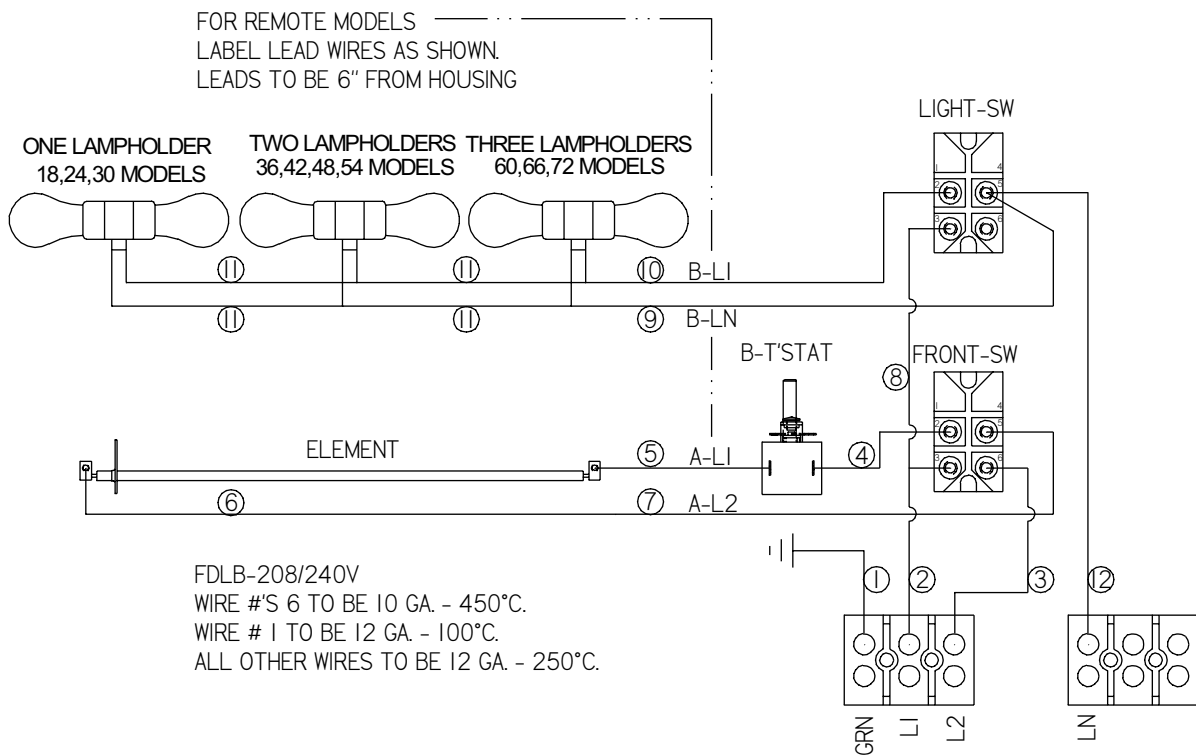
**C.**

**FDLB-120V WIRING DIAGRAM**

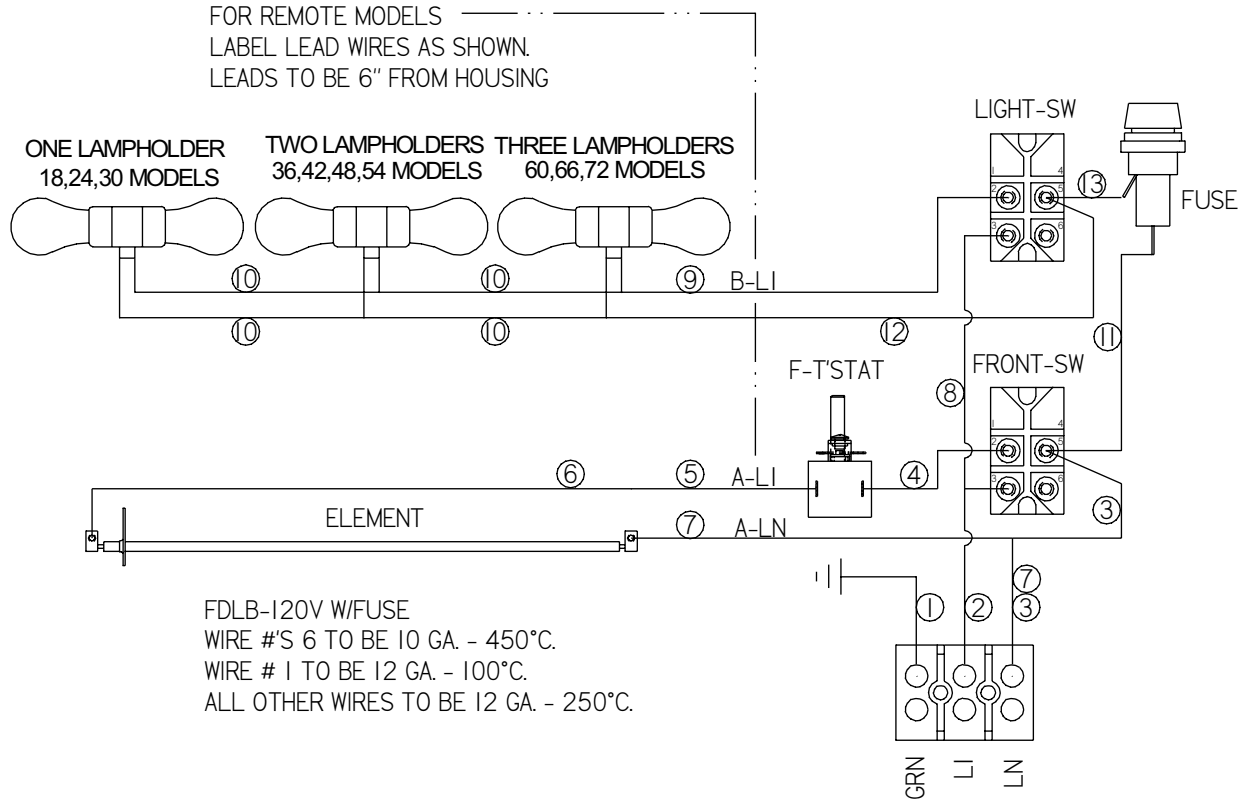


**D.**

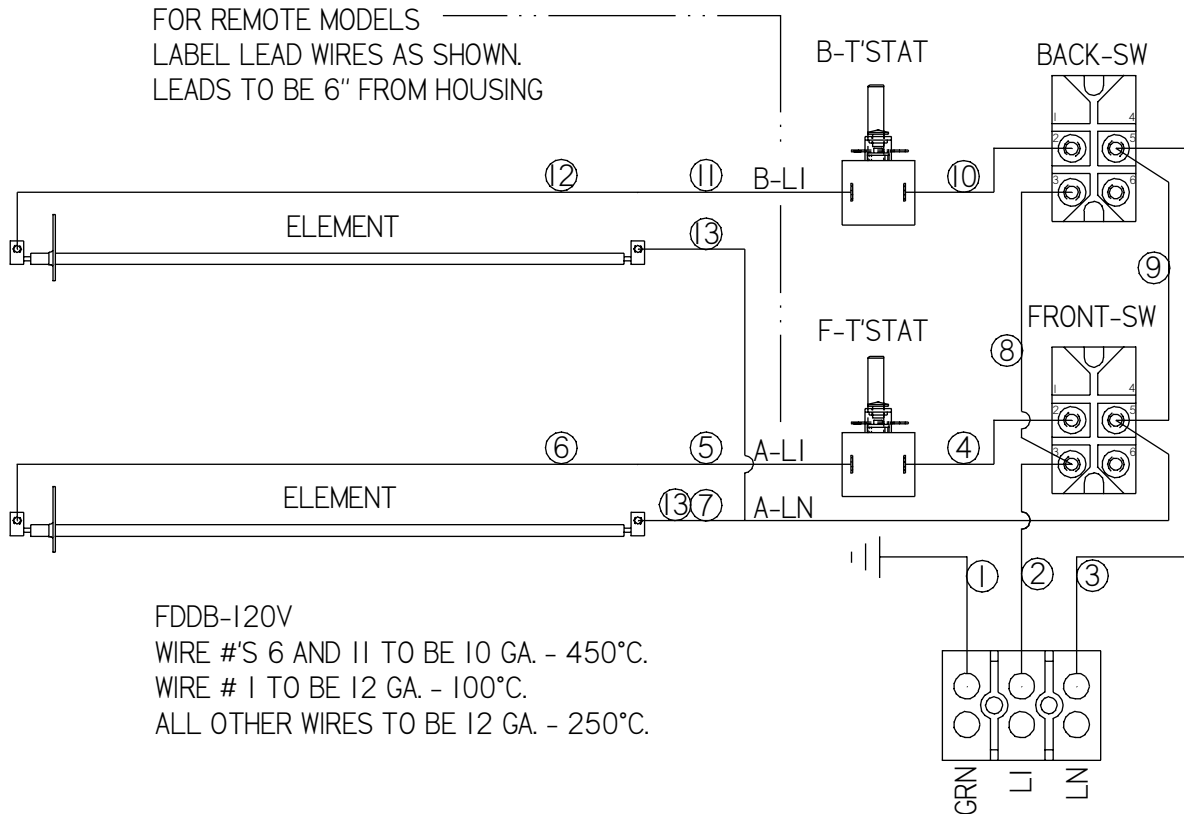
**FDLB-208/240V WIRING DIAGRAM**



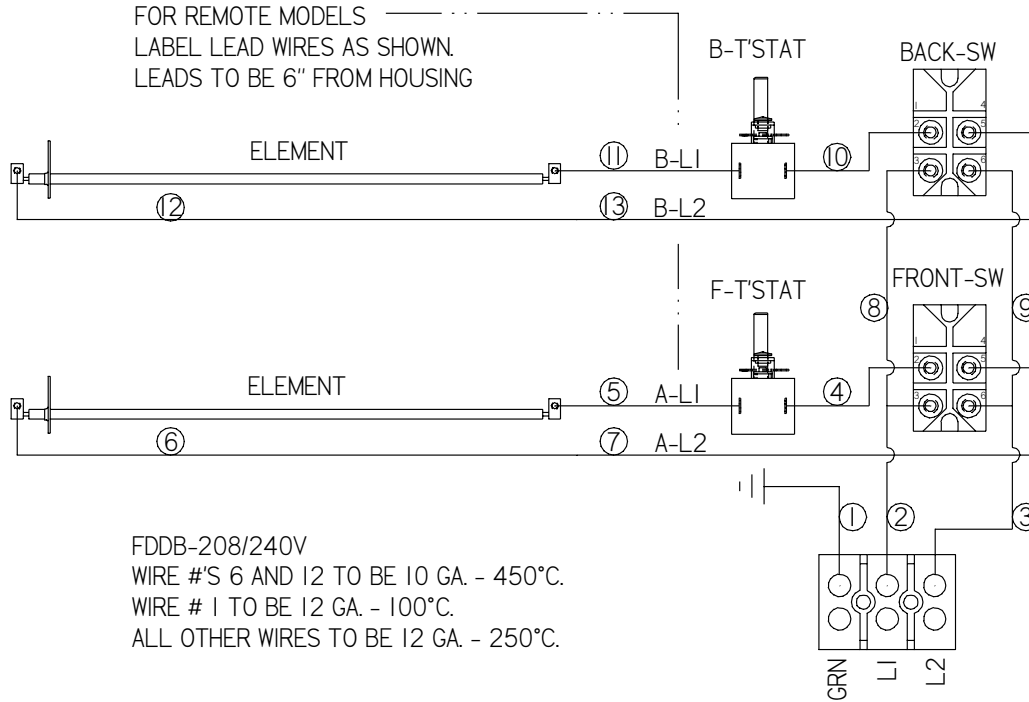
## E. FDLB-120V w/FUSE WIRING DIAGRAM



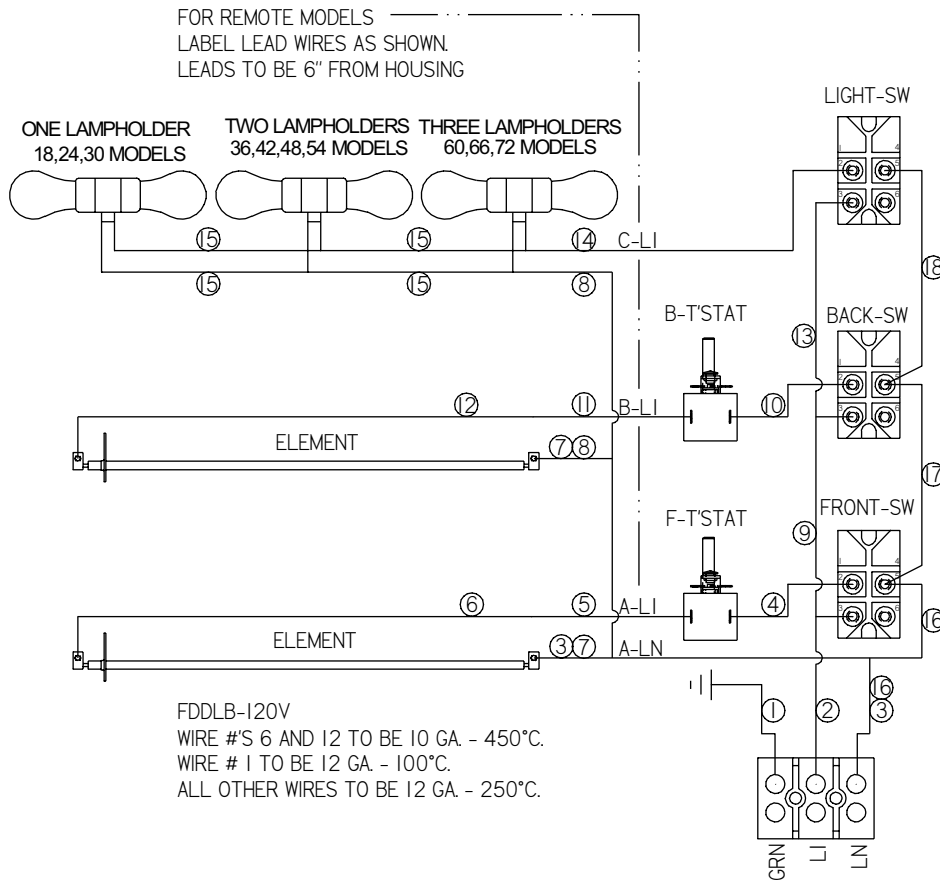
## F. FDDB-120V WIRING DIAGRAM



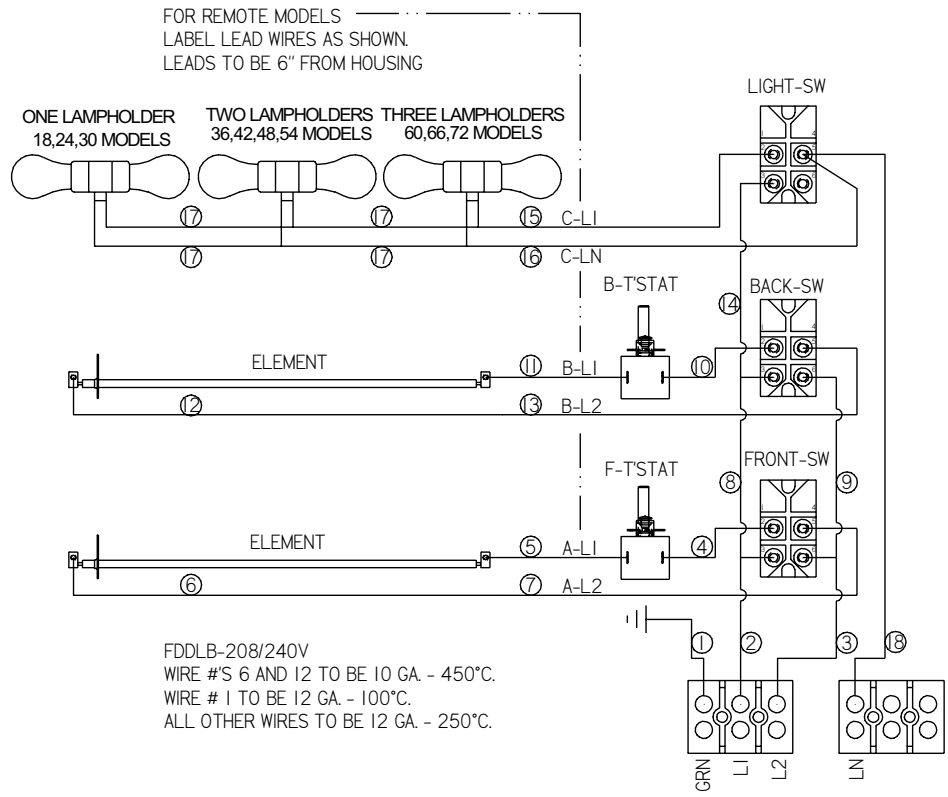
## G. Fddb-208/240V WIRING DIAGRAM



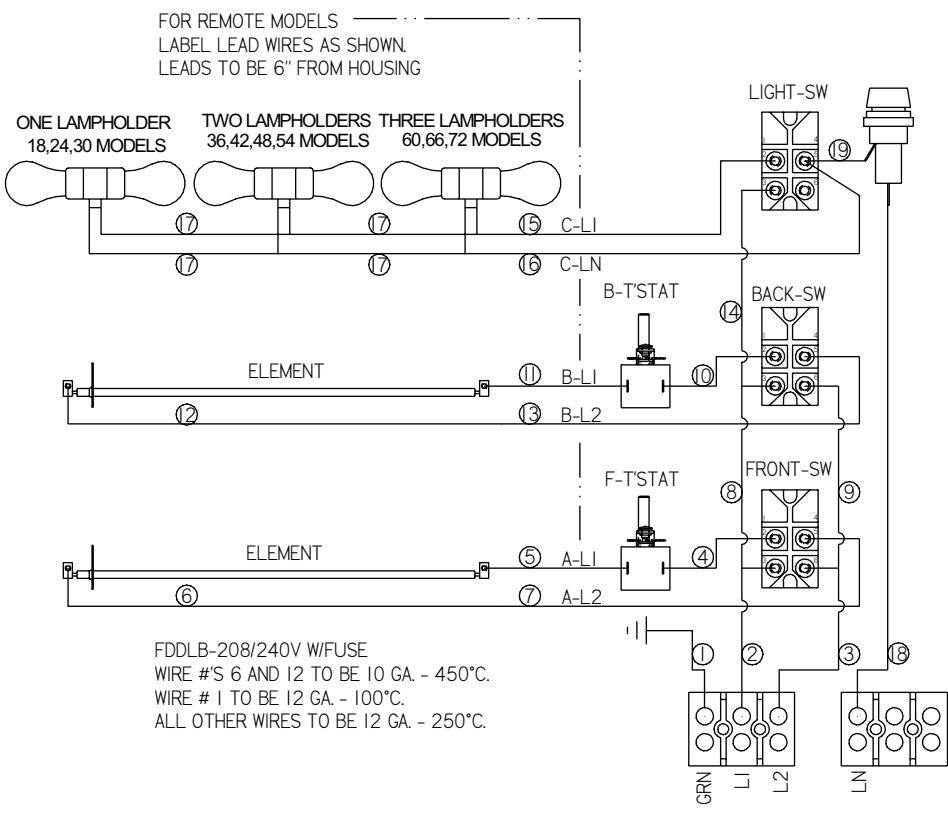
## H. FDDLb-120V WIRING DIAGRAM



# I. FDDL B-208/240V WIRING DIAGRAM

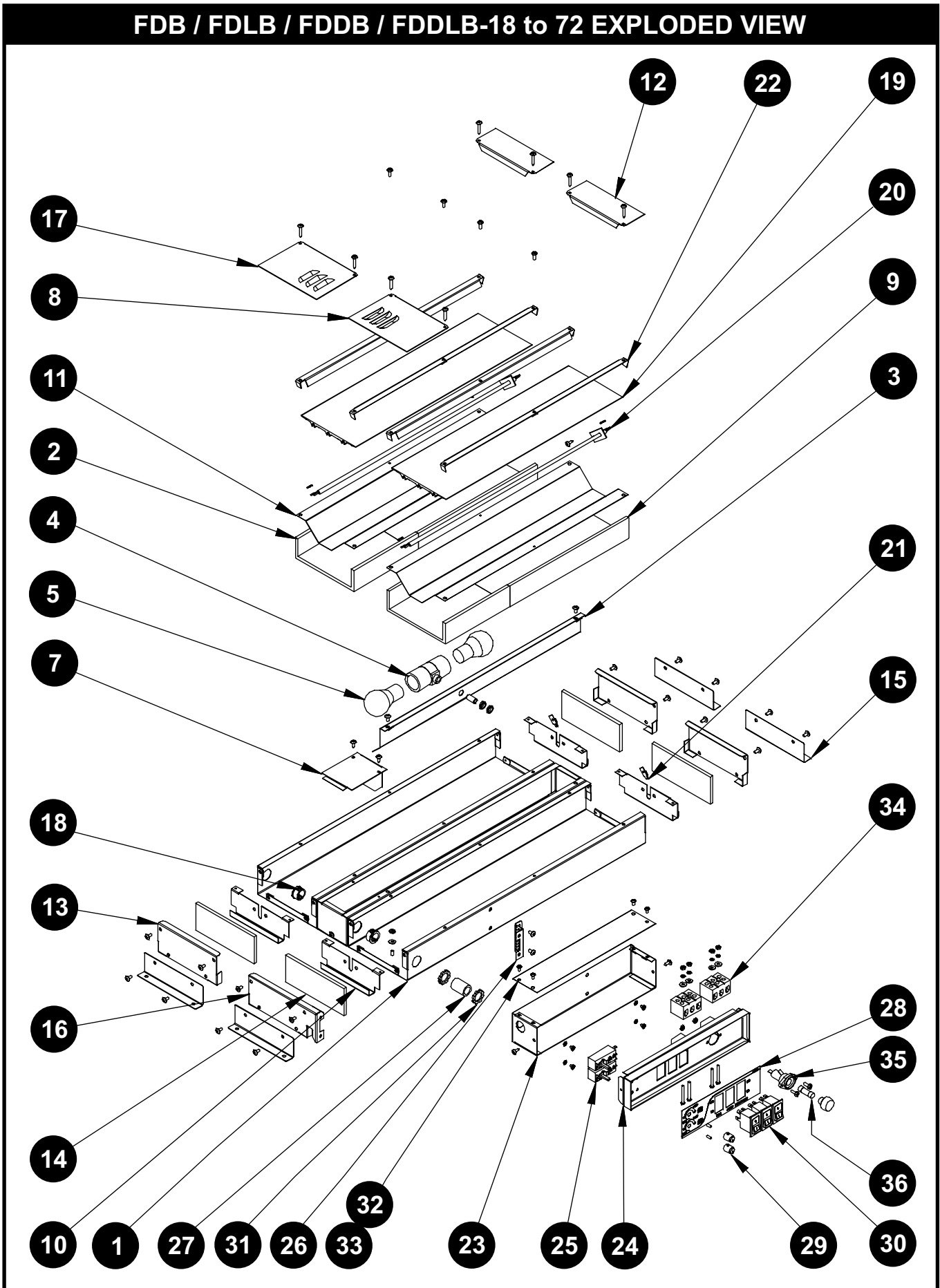


# J. FDDL B-208/240V w/FUSE WIRING DIAGRAM



# 10. PARTS LIST & EXPLODED VIEW

## FDB / FDLB / FDDB / FDDLB-18 to 72 EXPLODED VIEW



## FDB / FDLB / FDDB / FDDL B-18 to 72 PARTS LIST

| ITEM | P/N      | DESCRIPTION                    | QUAN    | ITEM | P/N      | DESCRIPTION                        | QUAN         |
|------|----------|--------------------------------|---------|------|----------|------------------------------------|--------------|
| 1    | 70476835 | HOUSING W/ASS'Y FDB-18         | 1       | 11   | 76806    | REFLECTOR FD24                     | S-1 D-2      |
| 1    | 70476836 | HOUSING W/ASS'Y FDB-24         | 1       | 11   | 76807    | REFLECTOR FD30                     | S-1 D-2      |
| 1    | 70476837 | HOUSING W/ASS'Y FDB-30         | 1       | 11   | 76808    | REFLECTOR FD36                     | S-1 D-2      |
| 1    | 70476838 | HOUSING W/ASS'Y FDB-36         | 1       | 11   | 76809    | REFLECTOR FD42                     | S-1 D-2      |
| 1    | 70476839 | HOUSING W/ASS'Y FDB-42         | 1       | 11   | 76810    | REFLECTOR FD48                     | S-1 D-2      |
| 1    | 70476840 | HOUSING W/ASS'Y FDB-48         | 1       | 11   | 76811    | REFLECTOR FD54                     | S-1 D-2      |
| 1    | 70476841 | HOUSING W/ASS'Y FDB-54         | 1       | 11   | 76812    | REFLECTOR FD60                     | S-1 D-2      |
| 1    | 70476842 | HOUSING W/ASS'Y FDB-60         | 1       | 11   | 76813    | REFLECTOR FD66                     | S-1 D-2      |
| 1    | 70476843 | HOUSING W/ASS'Y FDB-66         | 1       | 11   | 76814    | REFLECTOR FD72                     | S-1 D-2      |
| 1    | 70476844 | HOUSING W/ASS'Y FDB-72         | 1       | 12   | 70400154 | COVER, SMALL FD                    | S-1 D-2      |
| 1    | 70476845 | HOUSING W/ASS'Y FDLB-18        | 1       | 13   | 76803    | END PLATE FD                       | S-1 D-3      |
| 1    | 70476846 | HOUSING W/ASS'Y FDLB-24        | 1       | 14   | 70402029 | INSULATION 1/2 X 6 X 2-1/2 FD18-72 | S-2 D-4      |
| 1    | 70476847 | HOUSING W/ASS'Y FDLB-30        | 1       | 15   | 76955    | BRACKET MOUNTING FD                | S-2 D-4      |
| 1    | 70476848 | HOUSING W/ASS'Y FDLB-36        | 1       | 16   | 70476803 | PLATE, FDB AND C END               | 1            |
| 1    | 70476849 | HOUSING W/ASS'Y FDLB-42        | 1       | 17   | 70400151 | COVER LARGE FD LH CTRL             | S-0 D-1      |
| 1    | 70476850 | HOUSING W/ASS'Y FDLB-48        | 1       | 18   | 89184    | BUSHING, .875 HEYCO 2126           | S-0 SL-1 D-2 |
| 1    | 70476851 | HOUSING W/ASS'Y FDLB-54        | 1       | 19   | 70400155 | EXTRUSION, BLACK ANODIZED FD-18    | S-1 D-2      |
| 1    | 70476852 | HOUSING W/ASS'Y FDLB-60        | 1       | 19   | 70400157 | EXTRUSION, BLACK ANODIZED FD-24    | S-1 D-2      |
| 1    | 70476853 | HOUSING W/ASS'Y FDLB-66        | 1       | 19   | 70400159 | EXTRUSION, BLACK ANODIZED FD-30    | S-1 D-2      |
| 1    | 70476854 | HOUSING W/ASS'Y FDLB-72        | 1       | 19   | 70400161 | EXTRUSION, BLACK ANODIZED FD-36    | S-1 D-2      |
| 1    | 70476855 | HOUSING W/ASS'Y FDDB/FDDL B-18 | 1       | 19   | 70400163 | EXTRUSION, BLACK ANODIZED FD-42    | S-1 D-2      |
| 1    | 70476856 | HOUSING W/ASS'Y FDDB/FDDL B-24 | 1       | 19   | 70400165 | EXTRUSION, BLACK ANODIZED FD-48    | S-1 D-2      |
| 1    | 70476857 | HOUSING W/ASS'Y FDDB/FDDL B-30 | 1       | 19   | 70400167 | EXTRUSION, BLACK ANODIZED FD-54    | S-1 D-2      |
| 1    | 70476858 | HOUSING W/ASS'Y FDDB/FDDL B-36 | 1       | 19   | 70400169 | EXTRUSION, BLACK ANODIZED FD-60    | S-1 D-2      |
| 1    | 70476859 | HOUSING W/ASS'Y FDDB/FDDL B-42 | 1       | 19   | 70400171 | EXTRUSION, BLACK ANODIZED FD-66    | S-1 D-2      |
| 1    | 70476860 | HOUSING W/ASS'Y FDDB/FDDL B-48 | 1       | 19   | 70400173 | EXTRUSION, BLACK ANODIZED FD-72    | S-1 D-2      |
| 1    | 70476861 | HOUSING W/ASS'Y FDDB/FDDL B-54 | 1       | 20   | 75801    | ELEMENT, 400W - 120V               | S-1 D-2      |
| 1    | 70476862 | HOUSING W/ASS'Y FDDB/FDDL B-60 | 1       | 20   | 75833    | ELEMENT, 400W - 208V               | S-1 D-2      |
| 1    | 70476863 | HOUSING W/ASS'Y FDDB/FDDL B-66 | 1       | 20   | 75830    | ELEMENT, 400W - 240V               | S-1 D-2      |
| 1    | 70476864 | HOUSING W/ASS'Y FDDB/FDDL B-72 | 1       | 20   | 75461    | ELEMENT, 575W - 120V               | S-1 D-2      |
| 2    | 70402028 | INSULATION OVRHEAD WRM'R 18-72 | 2       | 20   | 75813    | ELEMENT, 575W - 208V               | S-1 D-2      |
| 3    | 76211    | LIGHT SUPPORT W/A DL-18        | 1       | 20   | 75814    | ELEMENT, 575W - 240V               | S-1 D-2      |
| 3    | 76212    | LIGHT SUPPORT W/A DL-24        | 1       | 20   | 75802    | ELEMENT, 760W - 120V               | S-1 D-2      |
| 3    | 76213    | LIGHT SUPPORT W/A DL-30        | 1       | 20   | 75820    | ELEMENT, 760W - 208V               | S-1 D-2      |
| 3    | 76214    | LIGHT SUPPORT W/A DL-36        | 1       | 20   | 75831    | ELEMENT, 760W - 240V               | S-1 D-2      |
| 3    | 76215    | LIGHT SUPPORT W/A DL-42        | 1       | 20   | 75803    | ELEMENT, 920W - 120V               | S-1 D-2      |
| 3    | 76216    | LIGHT SUPPORT W/A DL-48        | 1       | 20   | 75804    | ELEMENT, 920W - 208V               | S-1 D-2      |
| 3    | 76217    | LIGHT SUPPORT W/A DL-54        | 1       | 20   | 75805    | ELEMENT, 920W - 240V               | S-1 D-2      |
| 3    | 76218    | LIGHT SUPPORT W/A DL-60        | 1       | 20   | 75819    | ELEMENT, 1100W - 120V              | S-1 D-2      |
| 3    | 76219    | LIGHT SUPPORT W/A DL-66        | 1       | 20   | 75821    | ELEMENT, 1100W - 208V              | S-1 D-2      |
| 3    | 76220    | LIGHT SUPPORT W/A DL-72        | 1       | 20   | 75822    | ELEMENT, 1100W - 240V              | S-1 D-2      |
| 4    | 75917    | LAMP HOLDER TWIN 660W/250V     | V       | 20   | 75806    | ELEMENT, 1265W - 120V              | S-1 D-2      |
| 5    | 75916    | LAMP 40W COATED #40A15 120V    | V       | 20   | 75807    | ELEMENT, 1265W - 208V              | S-1 D-2      |
| 6    | 46877    | NIPPLE, 1/8-27 X 3/4 PLATED    | V       | 20   | 75808    | ELEMENT, 1265W - 240V              | S-1 D-2      |
| 7    | 76159    | COVER, END DL RH CONTROL       | 1       | 20   | 75823    | ELEMENT, 1425W - 120V              | S-1 D-2      |
| 8    | 70400153 | COVER, LARGE FD RH CTRL        | 1       | 20   | 75824    | ELEMENT, 1425W - 208V              | S-1 D-2      |
| 9    | 70400146 | INSULATION OVRHEAD WRM'R 18-72 | V       | 20   | 75825    | ELEMENT, 1425W - 240V              | S-1 D-2      |
| 9    | 70400147 | INSULATION OVRHEAD WRM'R 18-72 | V       | 20   | 75841    | ELEMENT, 1610W - 120V              | S-1 D-2      |
| 10   | 70400152 | SUPPORT, ELEMENT FD            | S-2 D-4 | 20   | 75809    | ELEMENT, 1610W - 208V              | S-1 D-2      |
| 11   | 76805    | REFLECTOR FD18                 | S-1 D-2 | 20   | 75810    | ELEMENT, 1610W - 240V              | S-1 D-2      |

V=QTY VARIES PER UNIT S=SINGLE UNIT OR FDB/FDLB SL=SINGLE LIGHTED UNIT OR FDLB D=DOUBLE UNIT OR FDDB/FDDL B

## FDB / FDLB / Fddb / FDDLb-18 to 72 PARTS LIST (Continued)

| ITEM | P/N      | DESCRIPTION                        | QUAN    | ITEM | P/N      | DESCRIPTION                     | QUAN         |
|------|----------|------------------------------------|---------|------|----------|---------------------------------|--------------|
| 20   | 75842    | ELEMENT, 1800W - 120V              | S-1 D-2 | 28   | 70406281 | LABEL, FDB CONTROL              | 1            |
| 20   | 75826    | ELEMENT, 1800W - 208V              | S-1 D-2 | 28   | 70407281 | LABEL, FDDLb CONTROL            | 1            |
| 20   | 75827    | ELEMENT, 1800W - 240V              | S-1 D-2 | 28   | 70408281 | LABEL, Fddb CONTROL             | 1            |
| 20   | 75843    | ELEMENT, 1980W - 120V              | S-1 D-2 | 28   | 70409281 | LABEL, FDLb CONTROL             | 1            |
| 20   | 75811    | ELEMENT, 1980W - 208V              | S-1 D-2 | 29   | 89499    | KNOB, INDICATOR                 | S-1 D-2      |
| 20   | 75812    | ELEMENT, 1980W - 240V              | S-1 D-2 | 30   | 70444800 | SWITCH, ROCKER ON-OFF           | V            |
| 21   | 58004    | FASTENER SELF RETAINING J TYPE     | S-2 D-4 | 31   | 55102    | LOCKNUT, 1/2 INCH CONDUIT       | 2            |
| 22   | 70400433 | SUPPORT, WELD ASSY FD-18           | S-2 D-4 | 32   | 70400007 | PLATE, ACCESS                   | 1            |
| 22   | 70400434 | SUPPORT, WELD ASSY FD-24           | S-2 D-4 | 33   | 70401007 | PLATE, 12 INCH ACCESS           |              |
| 22   | 70400435 | SUPPORT, WELD ASSY FD-30           | S-2 D-4 | 34   | 70444700 | BLOCK, TERMINAL, 3-POLE, KULKA  | V            |
| 22   | 70400436 | SUPPORT, WELD ASSY FD-36           | S-2 D-4 | 35   | 85602    | HOLDER, FUSE                    | 1            |
| 22   | 70400437 | SUPPORT, WELD ASSY FD-42           | S-2 D-4 | 36   | 85601    | FUSE, BUS SC3 AMP               | 1            |
| 22   | 70400438 | SUPPORT, WELD ASSY FD-48           | S-2 D-4 | N/S  | 89074    | STUD, 6-32 X 3/8 NO FLANGE      | S-1 D-2      |
| 22   | 70400439 | SUPPORT, WELD ASSY FD-54           | S-2 D-4 | N/S  | 46876    | NUT HEX 1/8 -27 PLATED          | V            |
| 22   | 70400440 | SUPPORT, WELD ASSY FD-60           | S-2 D-4 | N/S  | 88961    | NUT, HEX 10-24, GREEN           | 1            |
| 22   | 70400441 | SUPPORT, WELD ASSY FD-66           | S-2 D-4 | N/S  | 70400234 | SCREW, #8 X 1 AB SMS PHL TRUSS  | S-4 D-8      |
| 22   | 70400442 | SUPPORT, WELD ASSY FD-72           | S-2 D-4 | N/S  | 89042    | SCREW 8-32 X 1/2 PH SL SS       | V            |
| 23   | 70476314 | REMOTE ENCLOSURE, SNGL CNTRL 8"    | 1       | N/S  | 88889    | SCREW #8 X 1/2 AB SMS PHL TRUSS | S-3 SL-5 D-6 |
| 23   | 70476316 | REMOTE ENCLOSURE, SNGL CNTRL 12"   | 1       | N/S  | 88993    | SCREW 10-32X3/8 TRS PHL NYLK    | V            |
| 24   | 70421275 | W/ASS'Y, REMOTE BOX CVR 12" W/FUSE | 1       | N/S  | 89071    | WASHER, #10 FLAT                | V            |
| 24   | 70401275 | W/ASS'Y, REMOTE BOX CVR 12" W/FUSE | 1       | N/S  | 89059    | WASHER #10 EXTERNAL LOCK        | S-2 D-4      |
| 24   | 70411275 | W/ASS'Y, REMOTE BOX CVR 8" 2 T/B   | 1       | N/S  | 89056    | WASHER #8 INTERNAL LOCK, SS     | S-4 D-8      |
| 24   | 70412275 | W/ASS'Y, REMOTE BOX CVR 8" 1 T/B   | 1       | N/S  | 89039    | SCREW, 8-32X5/16 PH PAN SS      | 1            |
| 25   | 70444900 | THERMOSTAT, BULB, 518ÿ F           | S-1 D-2 | N/S  | 88971    | SCREW, 8-32x1-1/2 SL PN HD SS   | V            |
| 26   | 70400005 | BRACKET, CONTROL BOX               | 1       | N/S  | 88954    | SCREW,8-32X3/16,PH,PH,SS        | V            |
| 27   | 70400006 | CONDUIT, ALUMINUM                  | 1       | N/S  | 89063    | NUT, HEX 8-32                   | V            |

V=QTY VARIES PER UNIT S=SINGLE UNIT OR FDB/FDLb SL=SINGLE LIGHTED UNIT OR FDLb D=DOUBLE UNIT OR Fddb/FDDLb N/S=NOT SHOWN

### Warranty Procedure

IF YOU NEED WARRANTY SERVICE FOR YOUR APW EQUIPMENT, FOLLOW THESE STEPS:

1. Secure the model and serial number from the data tag of your unit.
2. Non-portable equipment - The service agency will dispatch a technician to your location for repairs.
3. Portable equipment - If you request service at your location, you will be responsible for payment of travel and mileage charges. You can take the unit to the service agency to avoid these charges.
4. For the name of the closest authorized service/parts distributor consult the published list supplied by APW Wyott or call the APW Wyott Service Hot Line, 1-800-733-2203

## 11. APW WYOTT EQUIPMENT LIMITED WARRANTY

APW Wyott Foodservice Equipment Company warrants its equipment against defects in materials and workmanship, subject to the following conditions:

This warranty applies to the original owner only and is not assignable.

Should any product fail to function in its intended manner under normal use within the limits defined in this warranty, at the option of APW Wyott such product will be repaired or replaced by APW Wyott or its Authorized Service Agency. APW Wyott will only be responsible for charges incurred or service performed by its Authorized Service Agencies. The use of other than APW Wyott Authorized Service Agencies will void this warranty and APW Wyott will not be responsible for such work or any charges associated with same. The closest APW Wyott Authorized Service Agent must be used.

This warranty covers products shipped into the 48 contiguous United States, Hawaii, metropolitan areas of Alaska and Canada. There will be no labor coverage for equipment located on any island not connected by roadway to the mainland.

Warranty coverage on products used outside the 48 contiguous United States, Hawaii, and metropolitan areas of Alaska and Canada may vary. Contact the international APW Wyott distributor, dealer, or service agency for details.

### Time Period

One year for parts and one year for labor, effective from the date of purchase by the original owner. The Authorized Service Agency may, at their option, require proof of purchase. Parts replaced under this warranty are warranted for the un-expired portion of the original product warranty only.

### Exceptions

- \***Gas/Electric Cookline:** Models GCB, GCRB, GF, GGM, GGT, CHP-H, EF, EG, EHP. Three (3) Year Warranty on all component parts, except switches and thermostats. (2 additional years on parts only. No labor on second or third year.)
- \***Broiler Briquettes, Rock Grates, Cooking Grates, Burner Shields, Fireboxes:** 90 Day Material Only. No Labor.
- \***Heat Strips:** Models FD, FDL, FDD, FDDL. Two (2) Year Warranty on element only. No labor second year.
- \***Glass Windows, Doors, Seals, Rubber Seals, Light Bulbs:** 90 Day Material Only. No Labor.

In all cases, parts covered by extended warranty will be shipped FOB the factory after the first year.

### Portable Carry In Products

Equipment weighing over 70 pounds or permanently installed will be serviced on-site as per the terms of this warranty. Equipment weighing 70 pounds or under, and which is not permanently installed, i.e. with cord and plug, is considered portable and is subject to the following warranty handling limitations. If portable equipment fails to operate in its intended manner on the first day of connection, or use, at APW Wyott's option or its Authorized Service Agency, it will be serviced on site or replaced.

From day two through the conclusion of this warranty period, portable units must be taken to or sent prepaid to the APW Wyott Authorized Service Agency for in-warranty repairs. No mileage or travel charges are allowed on portable units after the first day of use. If the customer wants on-site service, they may receive same by paying the travel and mileage charges. Exceptions to this rule: (1) countertop warmers and cookers, which are covered under the Enhanced Warranty Program, and (2) toasters or rollergrills which have in store service.

### Exclusions

The following conditions are not covered by warranty:

- \*Equipment failure relating to improper installation, improper utility connection or supply and problems due to ventilation.
- \*Equipment that has not been properly maintained, calibration of controls, adjustments, damage from improper cleaning and water damage to controls.
- \*Equipment that has not been used in an appropriate manner, or has been subject to misuse or misapplication, neglect, abuse, accident, alteration, negligence, damage during transit, delivery or installation, fire, flood, riot or act of god.
- \*Equipment that has the model number or serial number removed or altered.

If the equipment has been changed, altered, modified or repaired by other than an Authorized Service Agency during or after the warranty period, then the manufacturer shall not be liable for any damages to any person or to any property, which may result from the use of the equipment thereafter.

This warranty does not cover services performed at overtime or premium labor rates. Should service be required at times which normally involve overtime or premium labor rates, the owner shall be charged for the difference between normal service rates and such premium rates. APW Wyott does not assume any liability for extended delays in replacing or repairing any items beyond its control.

In all cases, the use of other than APW Wyott Authorized OEM Replacement Parts will void this warranty.

This equipment is intended for commercial use only. Warranty is void if equipment is installed in other than commercial application.

### Water Quality Requirements

Water supply intended for a unit that has in excess of 3.0 grains of hardness per gallon (GPG) must be treated or softened before being used. Water containing over 3.0 GPG will decrease the efficiency and reduce the operation life of the unit.

**Note: Product failure caused by liming or sediment buildup is not covered under warranty.**

**"THE FOREGOING WARRANTY IS IN LIEU OF ANY AND ALL OTHER WARRANTIES EXPRESSED OR IMPLIED INCLUDING ANY IMPLIED WARRANTY OF MERCHANTABILITY OR FITNESS FOR PARTICULAR PURPOSES AND CONSTITUTES THE ENTIRE LIABILITY OF APW WYOTT. IN NO EVENT DOES THE LIMITED WARRANTY EXTEND BEYOND THE TERMS STATED HEREIN."**

9/05





---

Phone: +1 (214) 421-7366  
Fax: +1 (214) 565-0976  
Toll Free: +1 (800) 527-2100  
Website: [www.apwwyott.com](http://www.apwwyott.com)  
E-mail: [info@apwwyott.com](mailto:info@apwwyott.com)

**APW WYOTT**  
729 Third Avenue  
Dallas, TX 75226