
NO. 71139

ISSUED: DEC. 9, 1998

REVISED: SEPT. 10, 2002



**HOSHIZAKI
MODULAR FLAKER**

MODEL

F-800MAF(-C)

F-800MWF(-C)

(FINAL) PARTS LIST

| | | |
|-----------------|-----|------------|
| F-800MAF | H-0 | APRIL 1998 |
| | J-0 | DEC. 1998 |
| | K-0 | DEC. 1999 |
| | K-1 | SEPT. 2000 |
| | L-0 | DEC. 2000 |

| | | |
|-------------------|-----|------------|
| F-800MAF-C | H-0 | SEPT. 1998 |
| | J-0 | SEPT. 1999 |
| | K-1 | DEC. 1999 |
| | K-2 | SEPT. 2000 |
| | L-0 | JAN. 2001 |

| | | |
|-----------------|-----|------------|
| F-800MWF | H-0 | APR. 1998 |
| | J-0 | FEB. 1999 |
| | K-1 | DEC. 1999 |
| | K-2 | SEPT. 2000 |
| | L-0 | DEC. 2000 |

| | | |
|-------------------|-----|-----------|
| F-800MWF-C | H-0 | SEP. 1998 |
| | J-0 | FEB. 1999 |
| | K-0 | DEC. 1999 |
| | K-1 | SEPT 2000 |

MATERIAL ABBREVIATIONS

ALUMINUM

AL = Aluminum

COPPER

CU = Copper

PLASTIC

ABS = Acrylonitrile -butadiene - styrene
 AC = Polyacetal
 EVA = Ethylene vinyl acetate
 PA = Polyamide = Nylon
 PC = Polycarbonate
 PE = Polyethylene
 PES = Polyester
 PETP = Polyethylene terephthalate = Tetlon
 PP = Polypropylene
 PS = Polystyrene
 PTFE = Polytetrafluoroethylene = Teflon
 PUR = Polyurethane
 PVC = Polyvinyl chloride

RUBBER

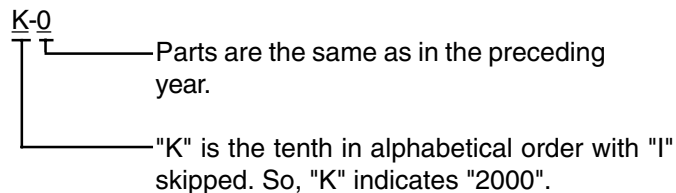
VN = Vinyl Nitrile
 EPDM = EP rubber
 NBR = Nitrile butadiene rubber
 NR = Natural rubber
 NP = Neoprene
 SI.R = Silicone rubber
 SY.R = Synthetic rubber
 EPH = Epichlorohydrin

STEEL

GS = Galvanized steel
 SS = Stainless steel
 PS = Plated steel
 PAS = Primed steel

AUXILIARY CODE

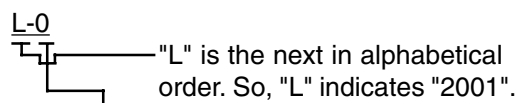
Ex.1



(Note) - = Part deleted.

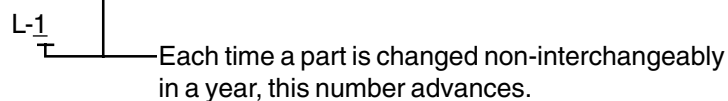
x = Part deleted and replaced by "o" (interchangeable) part.

Ex.2



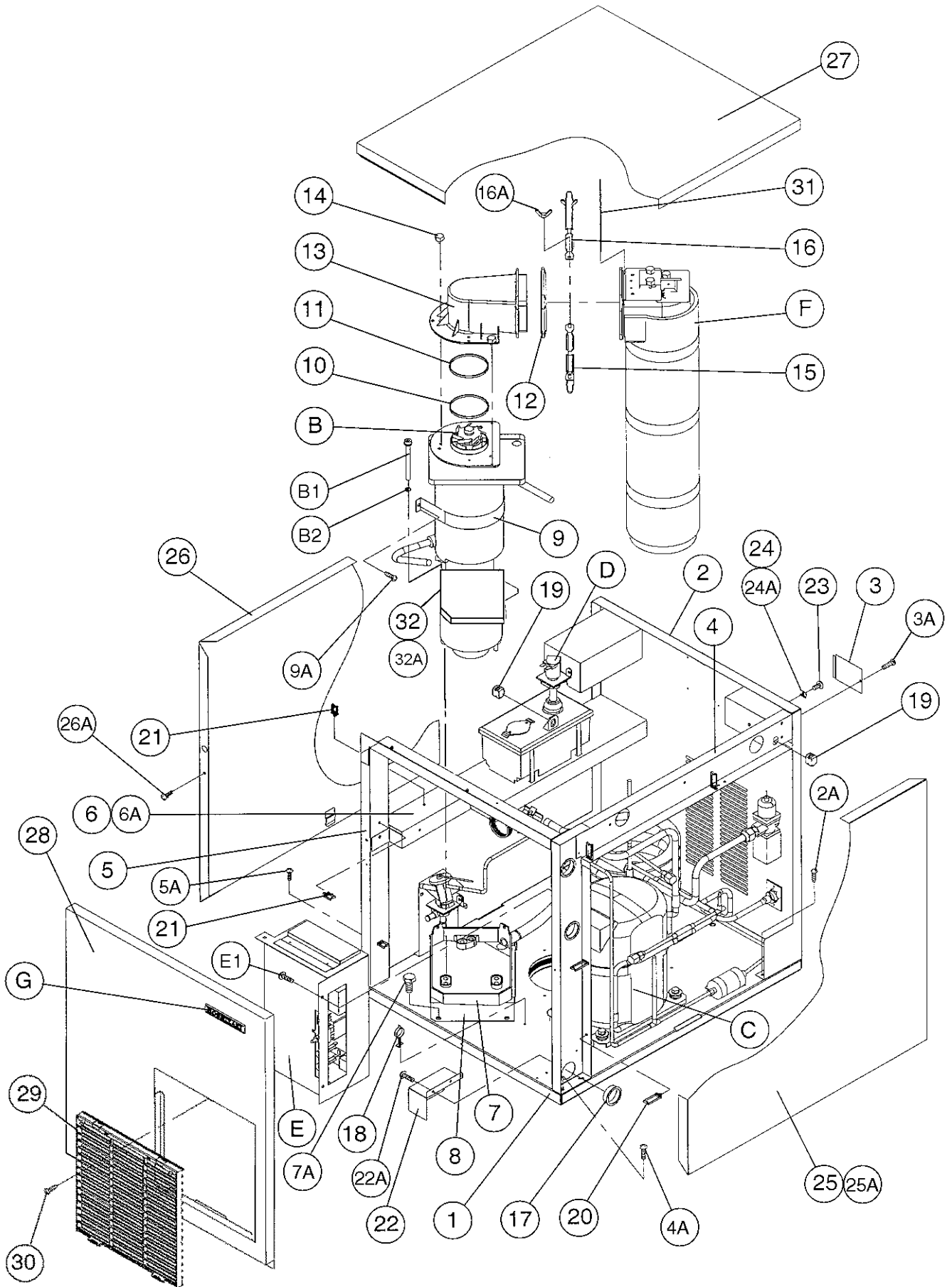
o = New part for "x" in the same auxiliary code.

Ex.3



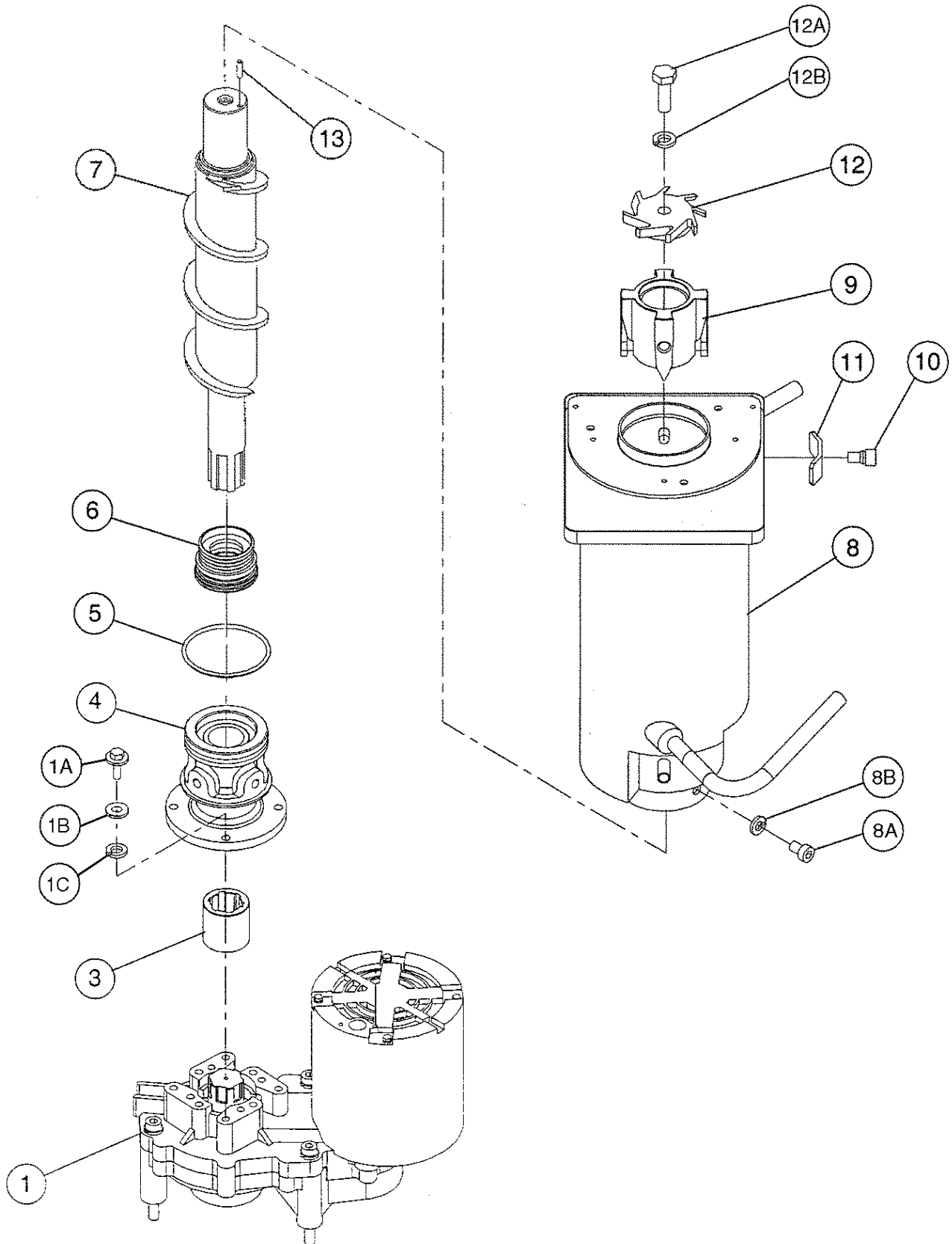
| MODEL: F-800MAF(-C) | | TITLE: A. ICE FLAKER ASSEMBLY | | | | | | |
|---------------------|----------------------|-------------------------------|-------------|-----------------|-----|-----|-----|-----|
| INDEX NO. | DESCRIPTION | MATERIAL OR MODEL NUMBER | PART NUMBER | REQUIRED NUMBER | | | | |
| | | | | H-0 J-0 | K-0 | K-1 | K-2 | L-0 |
| 1 | CHASSIS | GS | 2A1176G01 | 1 | 1 | 1 | 1 | 1 |
| 2 | REAR PANEL | GS | 2A0322G02 | 1 | 1 | 1 | 1 | 1 |
| 2A | T2 SCREW | 4X8 | 7P31-0408 | 4 | 4 | 4 | 4 | 4 |
| 3 | JUNCTION BOX COVER | GS | 433410-01 | 1 | 1 | 1 | 1 | 1 |
| 3A | T2 SCREW | 4X8 | 7P31-0408 | 1 | 1 | 1 | 1 | 1 |
| 4 | SIDE FRAME (R) | GS | 2A1047G01 | 1 | 1 | 1 | 1 | 1 |
| 4A | TRUSS HEAD SCREW | 4X8 | 7C31-0408 | 2 | 2 | 2 | 2 | 2 |
| 5 | FRONT FRAME | GS | 3A0324G01 | 1 | 1 | 1 | 1 | 1 |
| 5A | TRUSS HEAD SCREW | 4X8 | 7C31-0408 | 2 | 2 | 2 | 2 | 2 |
| 6 | RESERVOIR BRACKET | GS | 2A1060-01 | 1 | 1 | 1 | 1 | 1 |
| 6A | T2 SCREW | 4X8 | 7P31-0408 | 4 | 4 | 4 | 4 | 4 |
| 7 | BRACKET – GEAR MOTOR | GS | 3A0396G01 | 1 | 1 | 1 | 1 | 1 |
| 7A | HEX BOLT | 8X12, SS | 7B02-0812 | 2 | 2 | 2 | 2 | 2 |
| 8 | DRAIN PAN | ABS | 323765G02 | 1 | 1 | 1 | 1 | 1 |
| 9 | STRAP | GS | 4A1474-01 | 1 | 1 | 1 | 1 | 1 |
| 9A | T3 SCREW | 5X12 | 7G31-0512 | 2 | 2 | 2 | 2 | 2 |
| 10 | RING | PA | 432661-02 | 1 | 1 | 1 | 1 | 1 |
| 11 | “O” RING | G70 | 7616-G070 | 1 | 1 | 1 | 1 | 1 |
| 12 | PACKING-SPOUT | EPDM | 321037-01 | 1 | 1 | 1 | 1 | 1 |
| 13 | SPOUT | PC | 104797-01 | 1 | 1 | 1 | 1 | 1 |
| 14 | THUMBSCREW | SS, ABS | 415949G04 | 3 | 3 | 3 | 3 | 3 |
| 15 | STRAP | SS | 321038G02 | 1 | 1 | 1 | 1 | 1 |
| 16 | STRAP | SS | 328703-02 | 1 | 1 | 1 | 1 | 1 |
| 16A | WING NUT | 6, SS | 7E12-0600 | 2 | 2 | 2 | 2 | 2 |
| 17 | BUSHING | SB-1500-21 | 420470-09 | 1 | 1 | 1 | 1 | 1 |
| 18 | BUSHING | SB-1500-21 | 420470-06 | 3 | 3 | 3 | 3 | 3 |
| 19 | CLAMP | WS75-75-C | 4A0337-12 | 3 | 3 | 3 | 3 | 3 |
| 20 | BUSHING | SR-30-1 | 420472-03 | 2 | 2 | 2 | 2 | 2 |
| 21 | WIRE SADDLE | LWS-2NS | 4A0338-02 | 5 | 5 | 5 | 5 | 5 |
| 22 | WIRE SADDLE | LWS-4NS | 4A0338-04 | 4 | 4 | 4 | 4 | 4 |

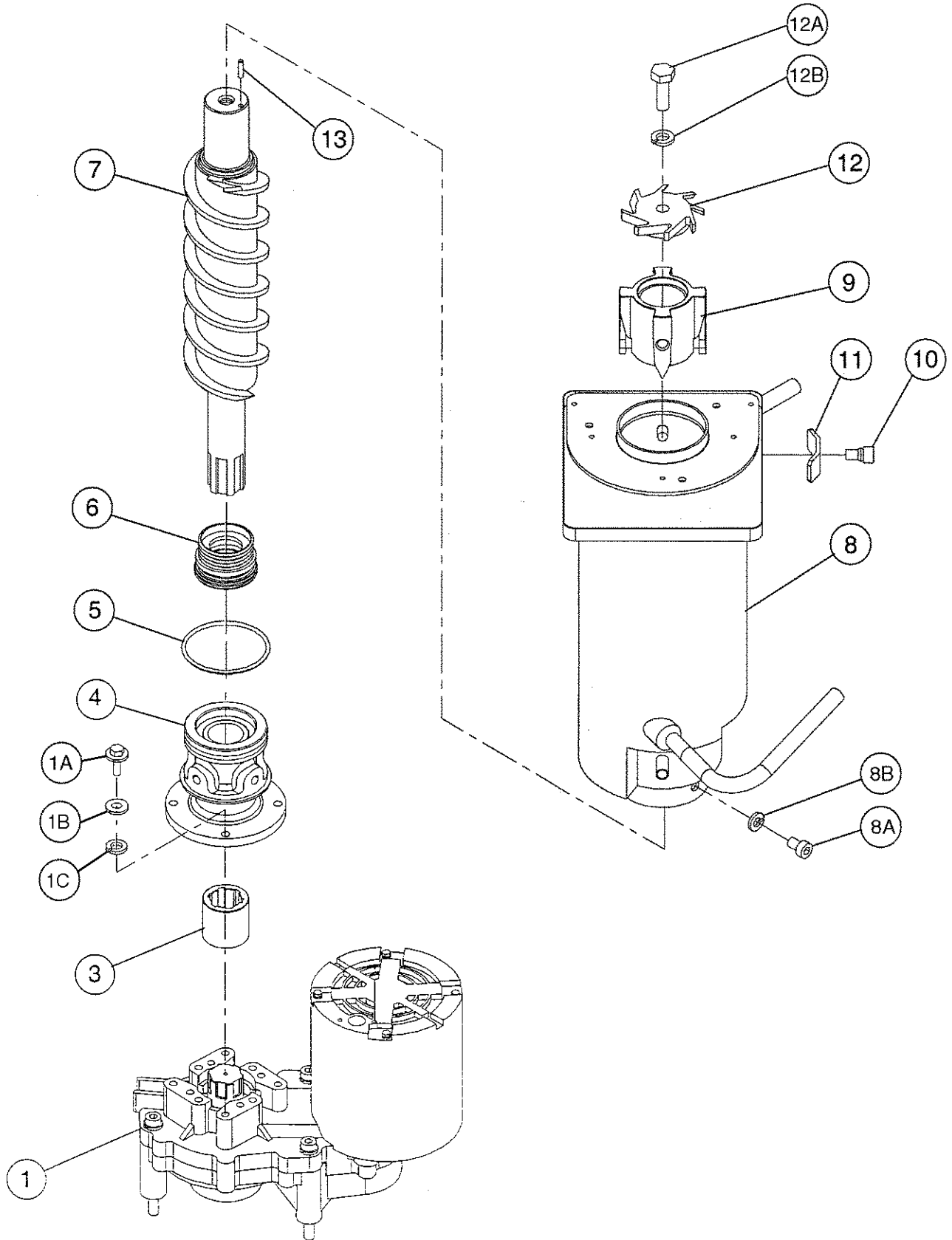
| MODEL: F-800MAF(-C) | | TITLE: A. ICE FLAKER ASSEMBLY | | | | | | |
|---------------------|-----------------------|-------------------------------|-------------|-----------------|-----|-----|-----|-----|
| INDEX NO. | DESCRIPTION | MATERIAL OR MODEL NUMBER | PART NUMBER | REQUIRED NUMBER | | | | |
| | | | | H-0 J-0 | K-0 | K-1 | K-2 | L-0 |
| 23 | BARRIER | GS | 4A0688-01 | 1 | 1 | 1 | 1 | 1 |
| 23A | TRUSS HEAD SCREW | 4X8 | 7C31-0408 | 2 | 2 | 2 | 2 | 2 |
| 24 | SCREW-GROUNDING | BRASS | 433304-02 | 1 | 1 | 1 | 1 | 1 |
| 25 | SQUARE WASHER | BRASS | 433537-02 | 1 | 1 | 1 | 1 | 1 |
| 25A | TRUSS HEAD SCREW | 4X8 | 7C31-0408 | 1 | 1 | 1 | 1 | 1 |
| 26 | SIDE PANEL (RIGHT) | SS | 2A0324G01 | 1 | 1 | 1 | 1 | 1 |
| 26A | TRUSS HEAD SCREW | 4X8, SS | 7C32-0408 | 1 | 1 | 1 | 1 | 1 |
| 27 | SIDE PANEL (LEFT) | SS | 2A1014G01 | 1 | 1 | 1 | 1 | 1 |
| 27A | TRUSS HEAD SCREW | 4X8, SS | 7C32-0408 | 1 | 1 | 1 | 1 | 1 |
| 28 | TOP PANEL | SS | 2A1051-02 | 1 | 1 | 1 | 1 | 1 |
| 29 | FRONT PANEL | SS | 3A0325G01 | 1 | 1 | 1 | 1 | 1 |
| 30 | LOUVER (B) | PP | 103121-03 | 1 | 1 | 1 | 1 | 1 |
| 31 | AIR FILTER (B) | - | 208283G03 | 1 | 1 | 1 | 1 | 1 |
| 32 | TAPPING SCREW – BLACK | - | 433954-01 | 1 | 1 | 1 | 1 | 1 |
| 33 | CABLE TIE | CV-150 | 7920-0003 | 1 | 1 | 1 | 1 | 1 |
| 34 | BRACKET-CHUTE | SS | 4A1712-01 | 1 | 1 | 1 | 1 | 1 |
| 35 | BARRIER – GEAR MOTOR | GS | 3A1037-01 | 1 | 1 | 1 | 1 | - |
| | | GS | 3A1823-01 | | | | | 1 |
| 35A | FT SCREW | 4X8 | 7F31-0408 | 2 | 2 | 2 | 2 | 2 |
| | | | | | | | | |
| | | | | | | | | |
| | | | | | | | | |
| | | | | | | | | |
| | | | | | | | | |
| | | | | | | | | |
| | | | | | | | | |
| | | | | | | | | |
| | | | | | | | | |
| | | | | | | | | |
| | | | | | | | | |
| | | | | | | | | |

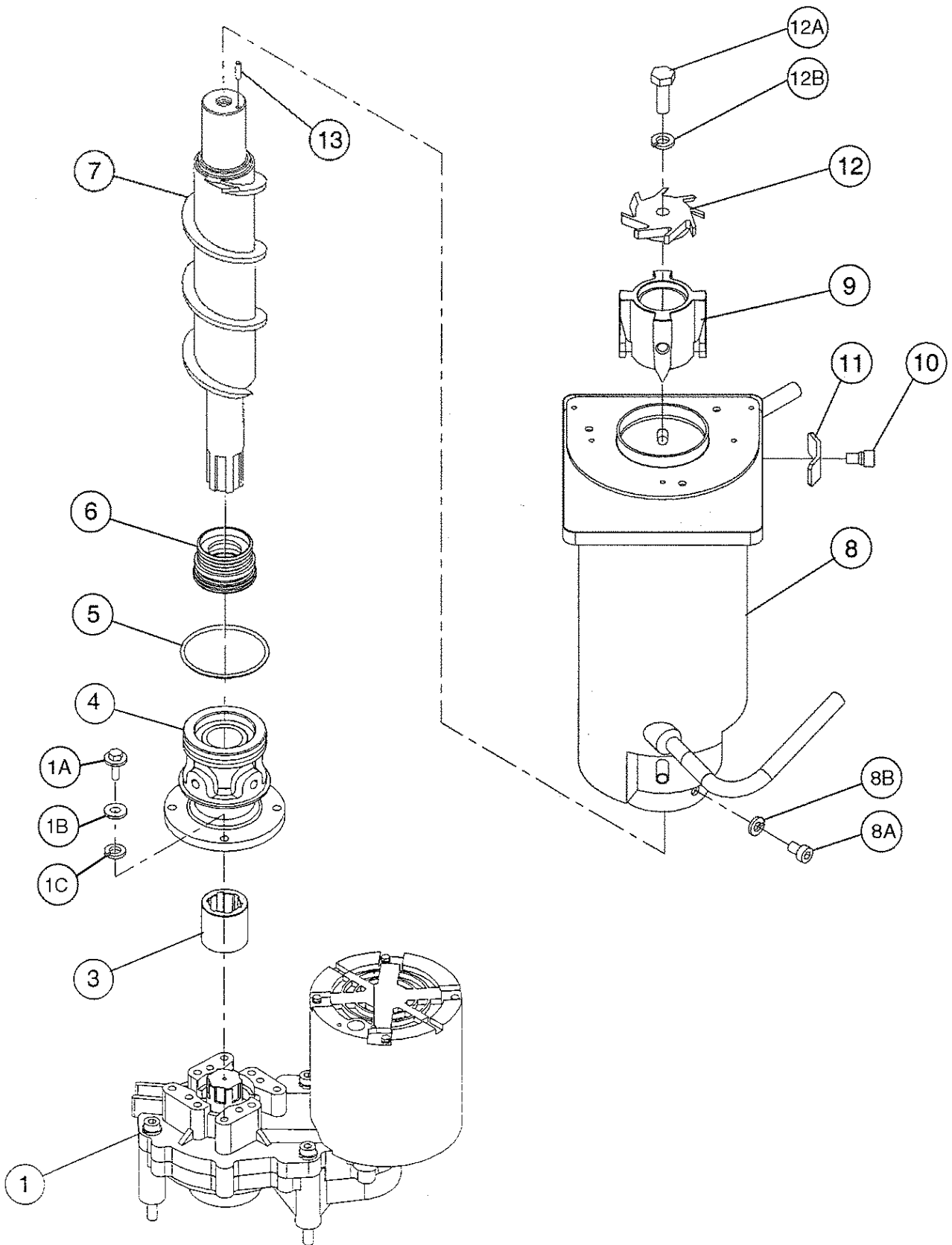


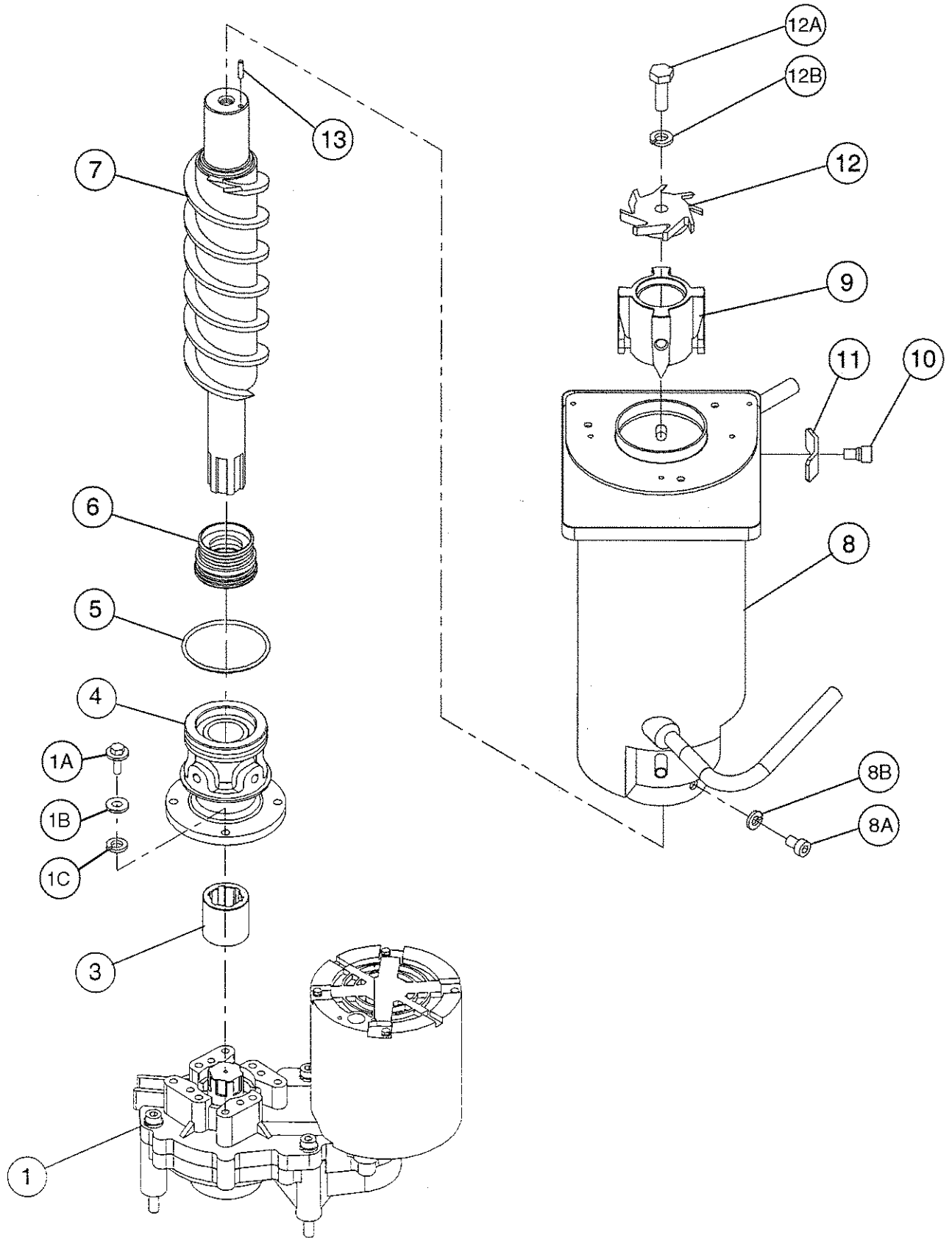
| MODEL: F-800MWF-C | | TITLE: A. ICE FLAKER ASSEMBLY | | | | | | |
|-------------------|----------------------|-------------------------------|-------------|-----------------|-----|-----|--|--|
| INDEX NO. | DESCRIPTION | MATERIAL OR MODEL NUMBER | PART NUMBER | REQUIRED NUMBER | | | | |
| | | | | H-0 J-0 | K-0 | K-1 | | |
| B | ICE MAKING UNIT | - | 3A0962A04 | 1 | 1 | x1 | | |
| | | - | 3A0962A02 | | | o1 | | |
| B1 | SOCKET HEAD HEX BOLT | 8X95, SS | 7S12-0895 | 3 | 3 | 3 | | |
| B2 | SPRING WASHER | 8, SS | 7L22-0800 | 3 | 3 | 3 | | |
| C | REFRIGERATION UNIT | - | 2A1024A01 | 1 | x1 | | | |
| | | - | 2A1024A02 | | o1 | 1 | | |
| D | WATER CIRCUIT | - | 2A0968A01 | 1 | 1 | 1 | | |
| E | CONTROL BOX ASSEMBLY | - | 2A1045A04 | 1 | x1 | | | |
| | | - | 2A1045A06 | | o1 | 1 | | |
| E1 | TRUSS HEAD SCREW | 4X8 | 7C31-0408 | 3 | 3 | 3 | | |
| F | CHUTE ASSEMBLY | - | 2A0941A02 | 1 | - | | | |
| | | - | 2A1705A02 | | 1 | 1 | | |
| G | LABEL LOCATION | - | 2A1038A04 | 1 | x1 | | | |
| | | - | 2A1038A08 | | o1 | 1 | | |
| | | | | | | | | |
| | | | | | | | | |
| | | | | | | | | |
| | | | | | | | | |
| | | | | | | | | |
| | | | | | | | | |
| | | | | | | | | |
| | | | | | | | | |
| | | | | | | | | |
| | | | | | | | | |
| | | | | | | | | |
| | | | | | | | | |
| | | | | | | | | |
| | | | | | | | | |

| MODEL: F-800MWF(-C) | | TITLE: A. ICE FLAKER ASSEMBLY | | | | | | |
|---------------------|----------------------|-------------------------------|-------------|-----------------|-----|-----|-----|-----|
| INDEX NO. | DESCRIPTION | MATERIAL OR MODEL NUMBER | PART NUMBER | REQUIRED NUMBER | | | | |
| | | | | H-0 J-0 | K-0 | K-1 | K-2 | L-0 |
| 1 | CHASSIS | GS | 2A1176G01 | 1 | 1 | 1 | 1 | 1 |
| 2 | REAR PANEL | GS | 2A1012G01 | 1 | 1 | 1 | 1 | 1 |
| 2A | T2 SCREW | 4X8 | 7P31-0408 | 4 | 4 | 4 | 4 | 4 |
| 3 | JUNCTION BOX COVER | GS | 433410-01 | 1 | 1 | 1 | 1 | 1 |
| 3A | T2 SCREW | 4X8 | 7P31-0408 | 1 | 1 | 1 | 1 | 1 |
| 4 | SIDE FRAME (R) | GS | 2A1047G01 | 1 | 1 | 1 | 1 | 1 |
| 4A | TRUSS HEAD SCREW | 4X8 | 7C31-0408 | 2 | 2 | 2 | 2 | 2 |
| 5 | FRONT FRAME | GS | 3A0324G01 | 1 | 1 | 1 | 1 | 1 |
| 5A | TRUSS HEAD SCREW | 4X8 | 7C31-0408 | 2 | 2 | 2 | 2 | 2 |
| 6 | RESERVOIR BRACKET | GS | 2A1059-01 | 1 | 1 | 1 | 1 | 1 |
| 6A | T2 SCREW | 4X8 | 7P31-0408 | 4 | 4 | 4 | 4 | 4 |
| 7 | BRACKET – GEAR MOTOR | GS | 3A0396G01 | 1 | 1 | 1 | 1 | 1 |
| 7A | HEX BOLT | 8X12, SS | 7B02-0812 | 2 | 2 | 2 | 2 | 2 |
| 8 | DRAIN PAN | ABS | 323765G02 | 1 | 1 | 1 | 1 | 1 |
| 9 | STRAP | GS | 4A1474-01 | 1 | 1 | 1 | 1 | 1 |
| 9A | T3 SCREW | 5X12 | 7G31-0512 | 2 | 2 | 2 | 2 | 2 |
| 10 | RING | PA | 432661-02 | 1 | 1 | 1 | 1 | 1 |
| 11 | “O” RING | G70 | 7616-G070 | 1 | 1 | 1 | 1 | 1 |
| 12 | PACKING-SPOUT | EPDM | 321037-01 | 1 | 1 | 1 | 1 | 1 |
| 13 | SPOUT | PC | 104797-01 | 1 | 1 | 1 | 1 | 1 |
| 14 | THUMBSCREW | SS, ABS | 415949G04 | 3 | 3 | 3 | 3 | 3 |
| 15 | STRAP | SS | 321038G02 | 1 | 1 | 1 | 1 | 1 |
| 16 | STRAP | SS | 328703-02 | 1 | 1 | 1 | 1 | 1 |
| 16A | WING NUT | 6, SS | 7E12-0600 | 2 | 2 | 2 | 2 | 2 |
| 17 | BUSHING | SB-1500-21 | 420470-06 | 3 | 3 | 3 | 3 | 3 |
| 18 | CLAMP | WS75-75-C | 4A0337-12 | 3 | 3 | 3 | 3 | 3 |
| 19 | BUSHING | SR-30-1 | 420472-03 | 2 | 2 | 2 | 2 | 2 |
| 20 | WIRE SADDLE | LWS-2NS | 4A0338-02 | 5 | 5 | 5 | 5 | 5 |
| 21 | WIRE SADDLE | LWS-4NS | 4A0338-04 | 4 | 4 | 4 | 4 | 4 |
| 22 | BARRIER | GS | 4A0688-01 | 1 | 1 | 1 | 1 | 1 |



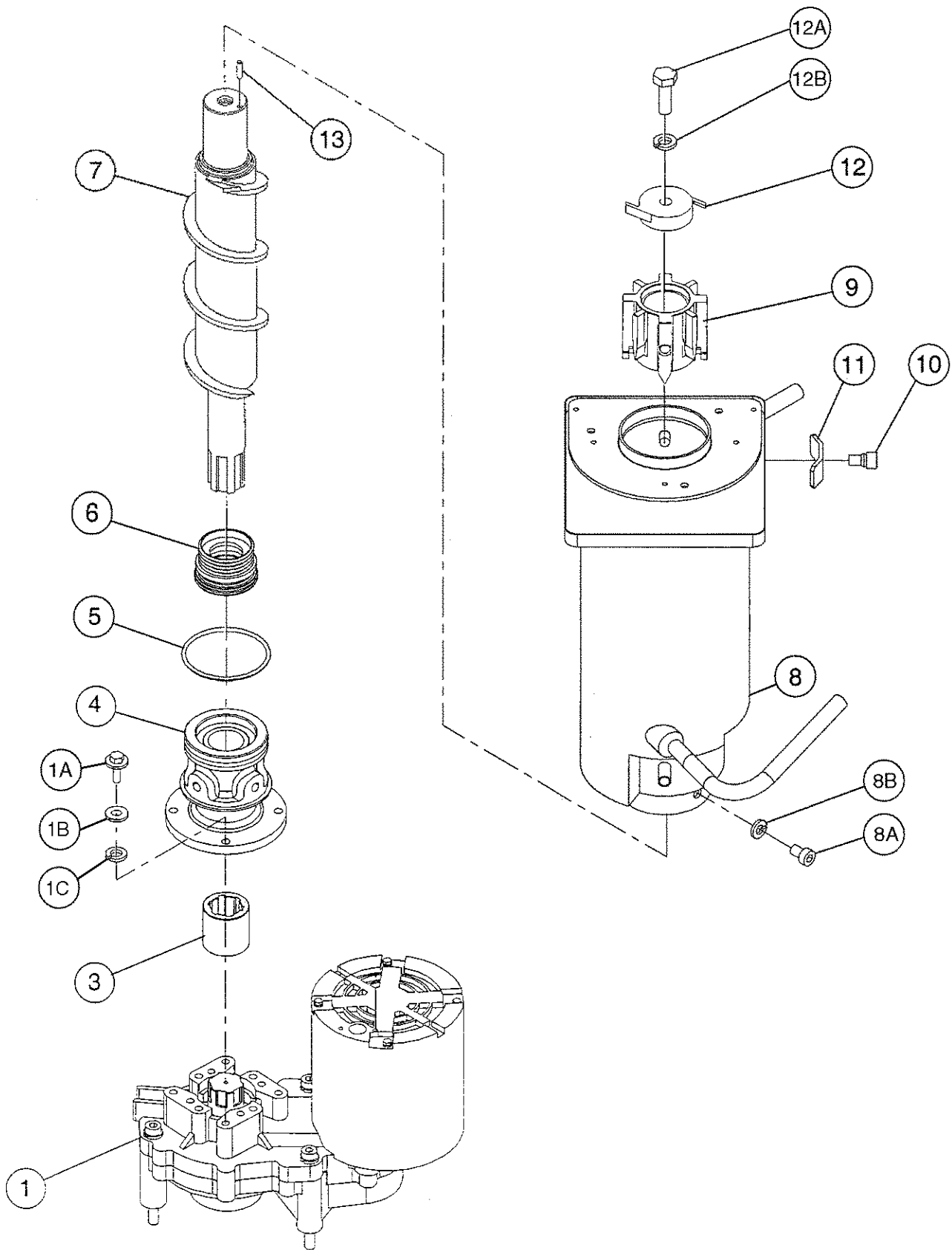


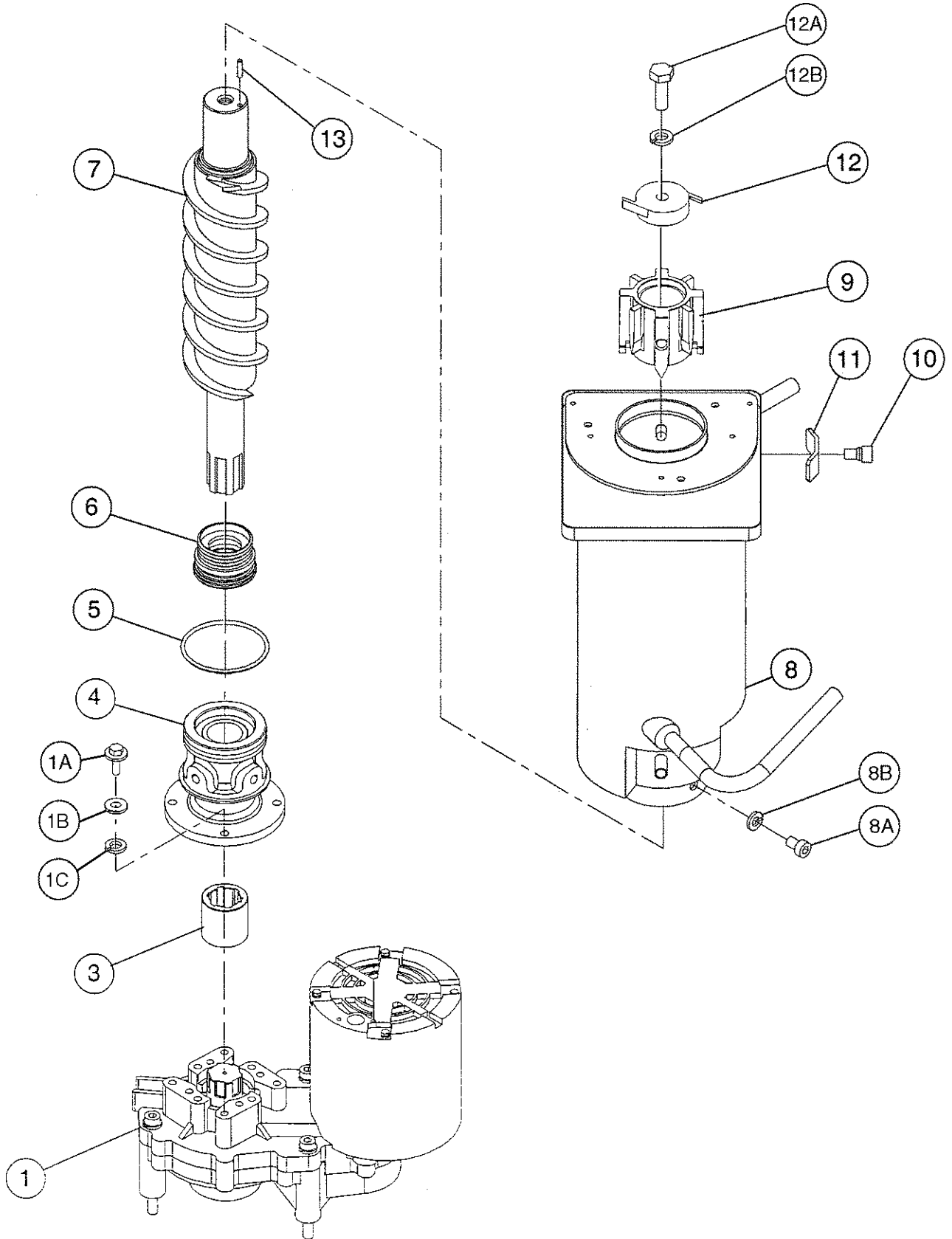


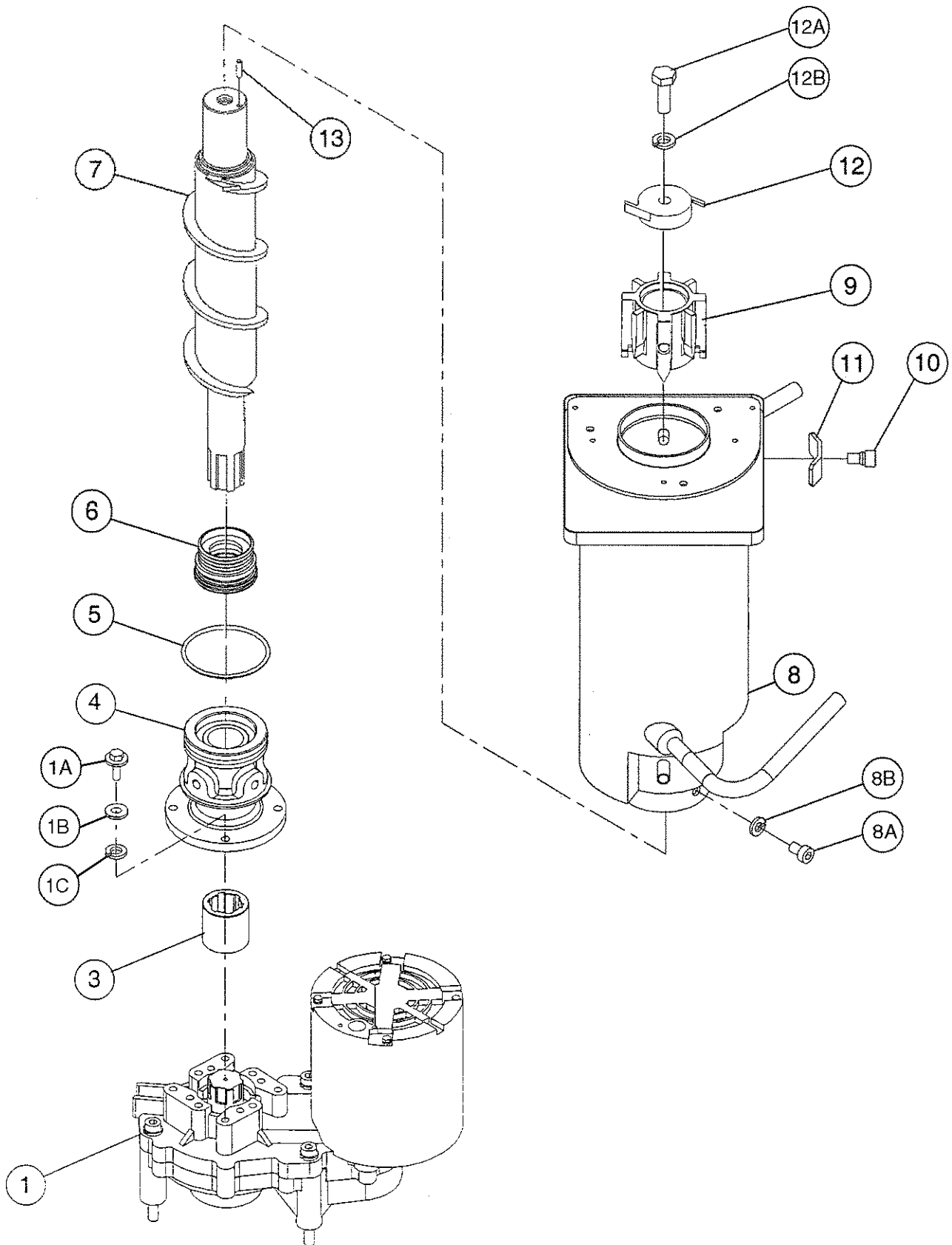


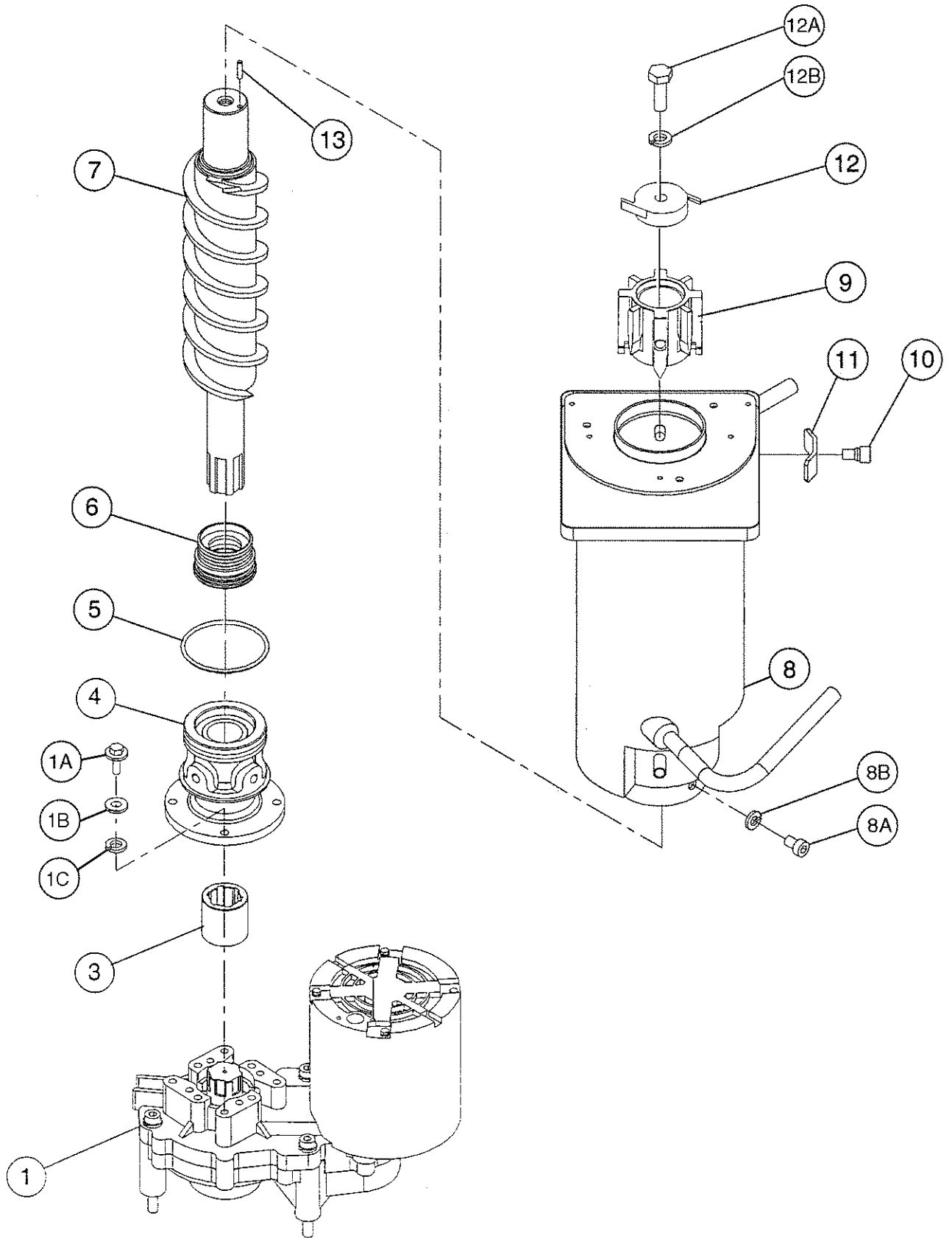
| MODEL: F-800MAF | | TITLE: B. ICE MAKING UNIT | | | | | | |
|-----------------|-----------------------|---------------------------|-------------|-----------------|-----|-----|-----|--|
| INDEX NO. | DESCRIPTION | MATERIAL OR MODEL NUMBER | PART NUMBER | REQUIRED NUMBER | | | | |
| | | | | H-0 J-0 | K-0 | K-1 | L-0 | |
| 1 | GEAR MOTOR | - | 4A1296-01 | 1 | x1 | | | |
| | | - | 4A2194-01 | | o1 | 1 | 1 | |
| 1A | BOLT | 6X20 | 458660-01 | 4 | 4 | 4 | 4 | |
| 1B | PLAIN WASHER | 6.4X12.5X1.6, SS | 7W22-0616 | 4 | 4 | 4 | 4 | |
| 1C | SPRING WASHER | 6, SS | 7L22-0600 | 4 | 4 | 4 | 4 | |
| 2 | - | - | - | | | | | |
| 3 | COUPLING - SPLINE | SS | 4A1297-01 | 1 | 1 | 1 | 1 | |
| 4 | HOUSING | BRASS | 2A0947G01 | 1 | 1 | 1 | 1 | |
| 5 | "O" RING | G65 | 7616-G065 | 1 | 1 | 1 | 1 | |
| 6 | MECHANICAL SEAL | HK9A-MN | 432492-01 | 1 | 1 | 1 | 1 | |
| 7 | AUGER | SS | 2A0960G02 | 1 | 1 | x1 | | |
| | | SS | 2A0932G02 | | | o1 | 1 | |
| 8 | EVAPORATOR | - | 2A1227G01 | 1 | 1 | 1 | 1 | |
| 8A | SOCKET HEAD CAP SCREW | 8X12, SS | 7S12-0812 | 4 | 4 | 4 | 4 | |
| 8B | SPLIT LOCK WASHER | 8, SS | 7L22-0800 | 4 | 4 | 4 | 4 | |
| 9 | EXTRUDING HEAD / 70F | SS | 3A2175G01 | 1 | 1 | 1 | 1 | |
| 10 | SOCKET HEAD CAP SCREW | SS, M10X15 | 429121-01 | 4 | 4 | 4 | 4 | |
| 11 | WASHER | SS | 427184-01 | 4 | 4 | 4 | 4 | |
| 12 | CUTTER | SS | 317071-02 | x1 | | | | |
| | | SS | 3A1395-02 | o1 | 1 | 1 | 1 | |
| 12A | HEX HEAD BOLT | 10X30, SS | 7B02-1030 | 1 | 1 | 1 | 1 | |
| 12B | SPLIT LOCK WASHER | 10, SS | 7L22-1000 | 1 | 1 | 1 | 1 | |
| 13 | DOWEL PIN | SS, 4 x 16 | 713S-0416 | 1 | 1 | 1 | 1 | |
| | | | | | | | | |
| | | | | | | | | |
| | | | | | | | | |
| | | | | | | | | |
| | | | | | | | | |

| MODEL: F-800MWF | | TITLE: B. ICE MAKING UNIT | | | | | | |
|-----------------|-----------------------|---------------------------|-------------|-----------------|-----|-----|-----|--|
| INDEX NO. | DESCRIPTION | MATERIAL OR MODEL NUMBER | PART NUMBER | REQUIRED NUMBER | | | | |
| | | | | H-0 J-0 | K-1 | K-2 | L-0 | |
| 1 | GEAR MOTOR | - | 4A1296-01 | 1 | x1 | | | |
| | | - | 4A2194-01 | | o1 | 1 | 1 | |
| 1A | BOLT | 6X20 | 458660-01 | 4 | 4 | 4 | 4 | |
| 1B | PLAIN WASHER | 6.4X12.5X1.6, SS | 7W22-0616 | 4 | 4 | 4 | 4 | |
| 1C | SPRING WASHER | 6, SS | 7L22-0600 | 4 | 4 | 4 | 4 | |
| 2 | - | - | - | | | | | |
| 3 | COUPLING - SPLINE | SS | 4A1297-01 | 1 | 1 | 1 | 1 | |
| 4 | HOUSING | BRASS | 2A0947G01 | 1 | 1 | 1 | 1 | |
| 5 | "O" RING | G65 | 7616-G065 | 1 | 1 | 1 | 1 | |
| 6 | MECHANICAL SEAL | HK9A-MN | 432492-01 | 1 | 1 | 1 | 1 | |
| 7 | AUGER | SS | 2A0960G02 | 1 | 1 | x1 | | |
| | | SS | 2A0932G02 | | | o1 | 1 | |
| 8 | EVAPORATOR | - | 2A1227G01 | 1 | 1 | 1 | 1 | |
| 8A | SOCKET HEAD CAP SCREW | 8X12, SS | 7S12-0812 | 4 | 4 | 4 | 4 | |
| 8B | SPLIT LOCK WASHER | 8, SS | 7L22-0800 | 4 | 4 | 4 | 4 | |
| 9 | EXTRUDING HEAD / 70F | SS | 3A2175G01 | 1 | 1 | 1 | 1 | |
| 10 | SOCKET HEAD CAP SCREW | SS, M10X15 | 429121-01 | 4 | 4 | 4 | 4 | |
| 11 | WASHER | SS | 427184-01 | 4 | 4 | 4 | 4 | |
| 12 | CUTTER | SS | 317071-02 | x1 | | | | |
| | | SS | 3A1395-02 | o1 | 1 | 1 | 1 | |
| 12A | HEX HEAD BOLT | 10X30, SS | 7B02-1030 | 1 | 1 | 1 | 1 | |
| 12B | SPLIT LOCK WASHER | 10, SS | 7L22-1000 | 1 | 1 | 1 | 1 | |
| 13 | DOWEL PIN | SS, 4 x 16 | 713S-0416 | 1 | 1 | 1 | 1 | |
| | | | | | | | | |
| | | | | | | | | |
| | | | | | | | | |
| | | | | | | | | |



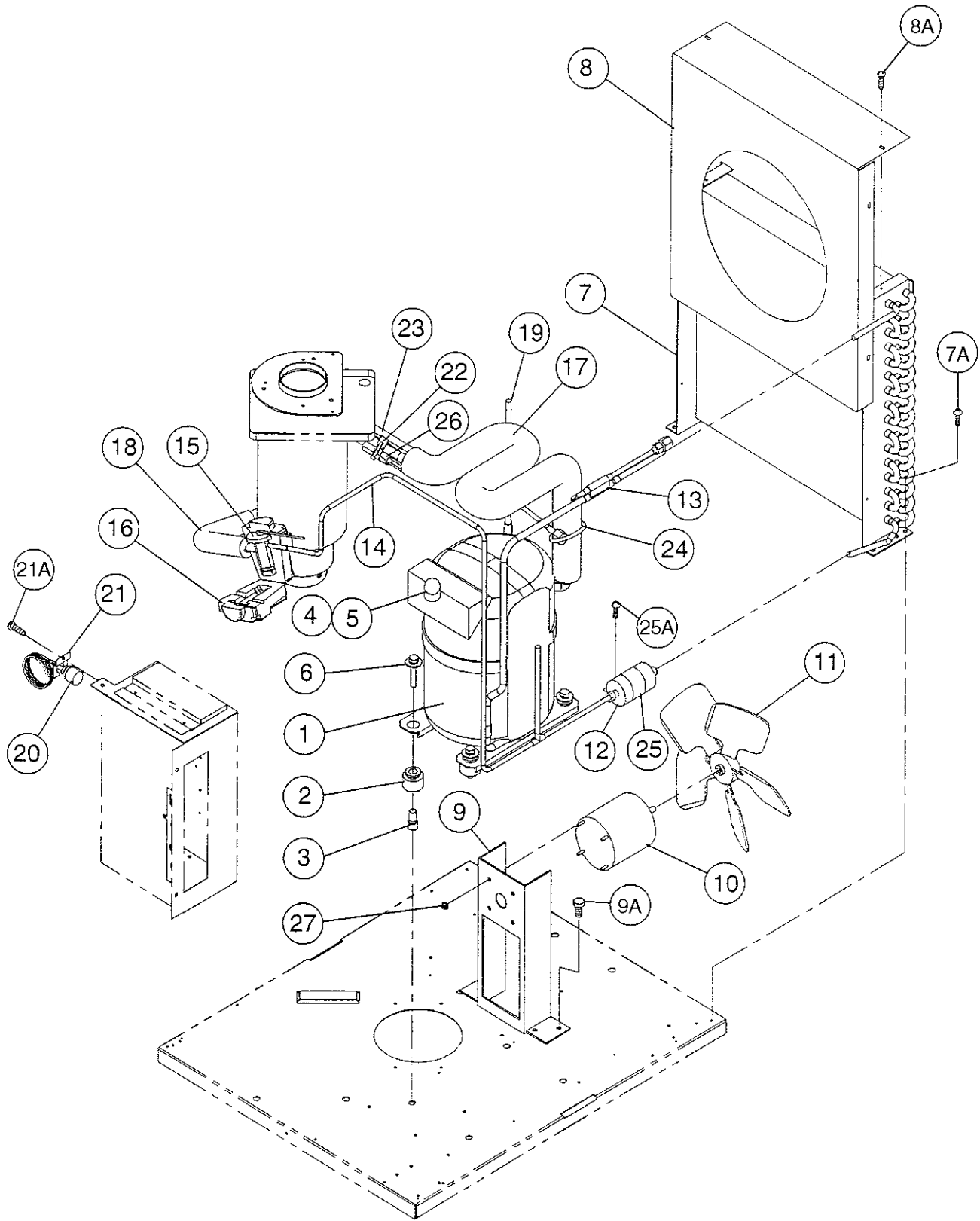




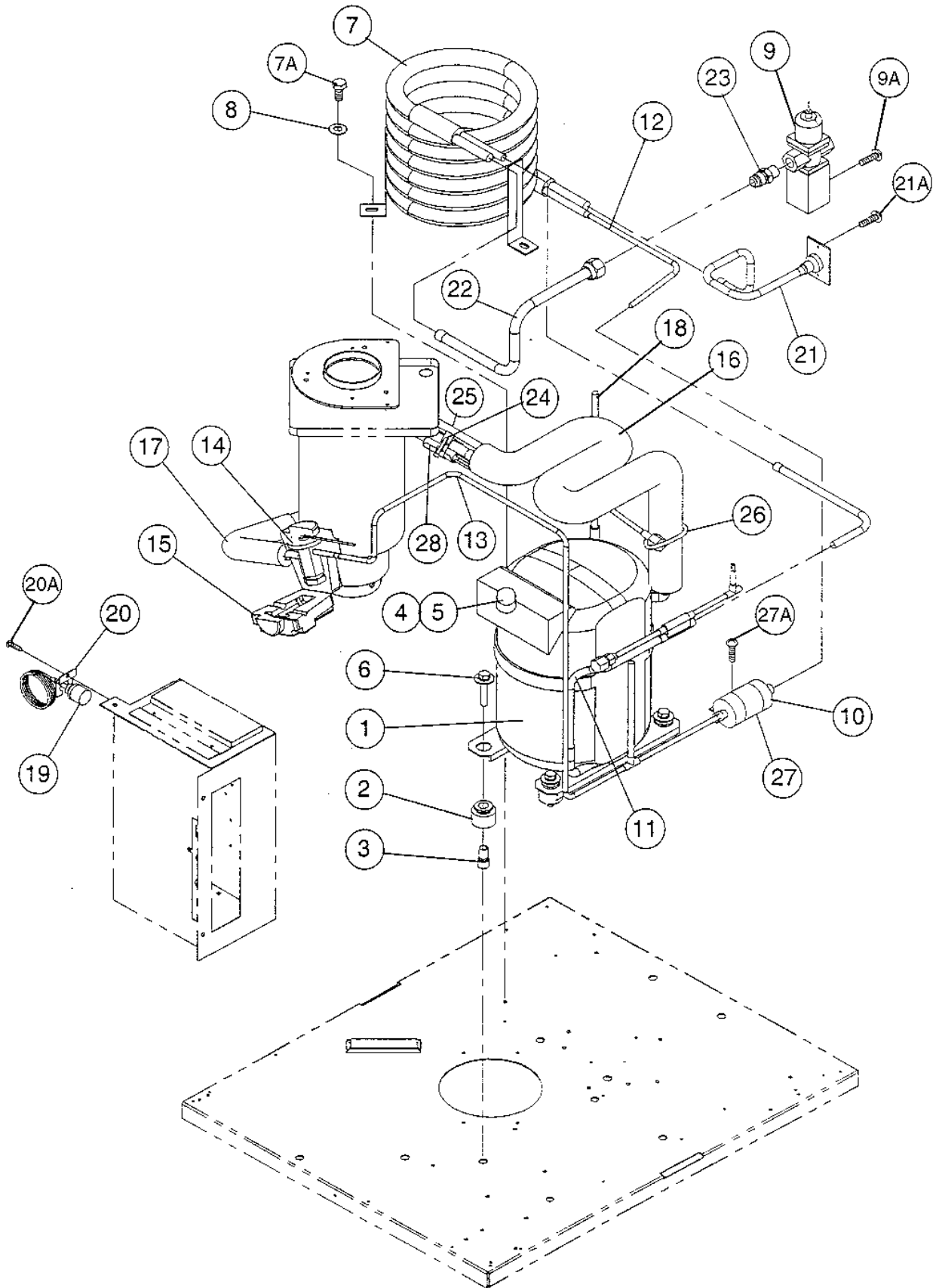


| MODEL: F-800MAF-C | | | TITLE: B. ICE MAKING UNIT | | | | | |
|-------------------|-----------------------|--------------------------|---------------------------|-----------------|-----|-----|-----|--|
| INDEX NO. | DESCRIPTION | MATERIAL OR MODEL NUMBER | PART NUMBER | REQUIRED NUMBER | | | | |
| | | | | H-0 J-0 | K-1 | K-2 | L-0 | |
| 1 | GEAR MOTOR | - | 4A1296-01 | 1 | x1 | | | |
| | | - | 4A2194-01 | | o1 | 1 | 1 | |
| 1A | BOLT | 6X20 | 458660-01 | 4 | 4 | 4 | 4 | |
| 1B | PLAIN WASHER | 6.4X12.5X1.6, SS | 7W22-0616 | 4 | 4 | 4 | 4 | |
| 1C | SPRING WASHER | 6, SS | 7L22-0600 | 4 | 4 | 4 | 4 | |
| 2 | - | - | - | | | | | |
| 3 | COUPLING - SPLINE | SS | 4A1297-01 | 1 | 1 | 1 | 1 | |
| 4 | HOUSING | BRASS | 2A0947G01 | 1 | 1 | 1 | 1 | |
| 5 | "O" RING | G65 | 7616-G065 | 1 | 1 | 1 | 1 | |
| 6 | MECHANICAL SEAL | HK9A-MN | 432492-01 | 1 | 1 | 1 | 1 | |
| 7 | AUGER | SS | 2A0960G02 | 1 | 1 | x1 | | |
| | | SS | 2A0932G02 | | | o1 | 1 | |
| 8 | EVAPORATOR | - | 2A1227G01 | 1 | 1 | 1 | 1 | |
| 8A | SOCKET HEAD CAP SCREW | 8X12, SS | 7S12-0812 | 4 | 4 | 4 | 4 | |
| 8B | SPLIT LOCK WASHER | 8, SS | 7L22-0800 | 4 | 4 | 4 | 4 | |
| 9 | EXTRUDING HEAD / 70N | SS | 216531G01 | 1 | 1 | 1 | 1 | |
| 10 | SOCKET HEAD CAP SCREW | SS, M10X15 | 429121-01 | 4 | 4 | 4 | 4 | |
| 11 | WASHER | SS | 427184-01 | 4 | 4 | 4 | 4 | |
| 12 | CUTTER | SS | 327145-01 | 1 | 1 | 1 | 1 | |
| 12A | HEX HEAD BOLT | 10X30, SS | 7B02-1030 | 1 | 1 | 1 | 1 | |
| 12B | SPLIT LOCK WASHER | 10, SS | 7L22-1000 | 1 | 1 | 1 | 1 | |
| 13 | DOWEL PIN | SS, 4 x 16 | 713S-0416 | 1 | 1 | 1 | 1 | |
| | | | | | | | | |
| | | | | | | | | |
| | | | | | | | | |
| | | | | | | | | |
| | | | | | | | | |
| | | | | | | | | |
| | | | | | | | | |
| | | | | | | | | |

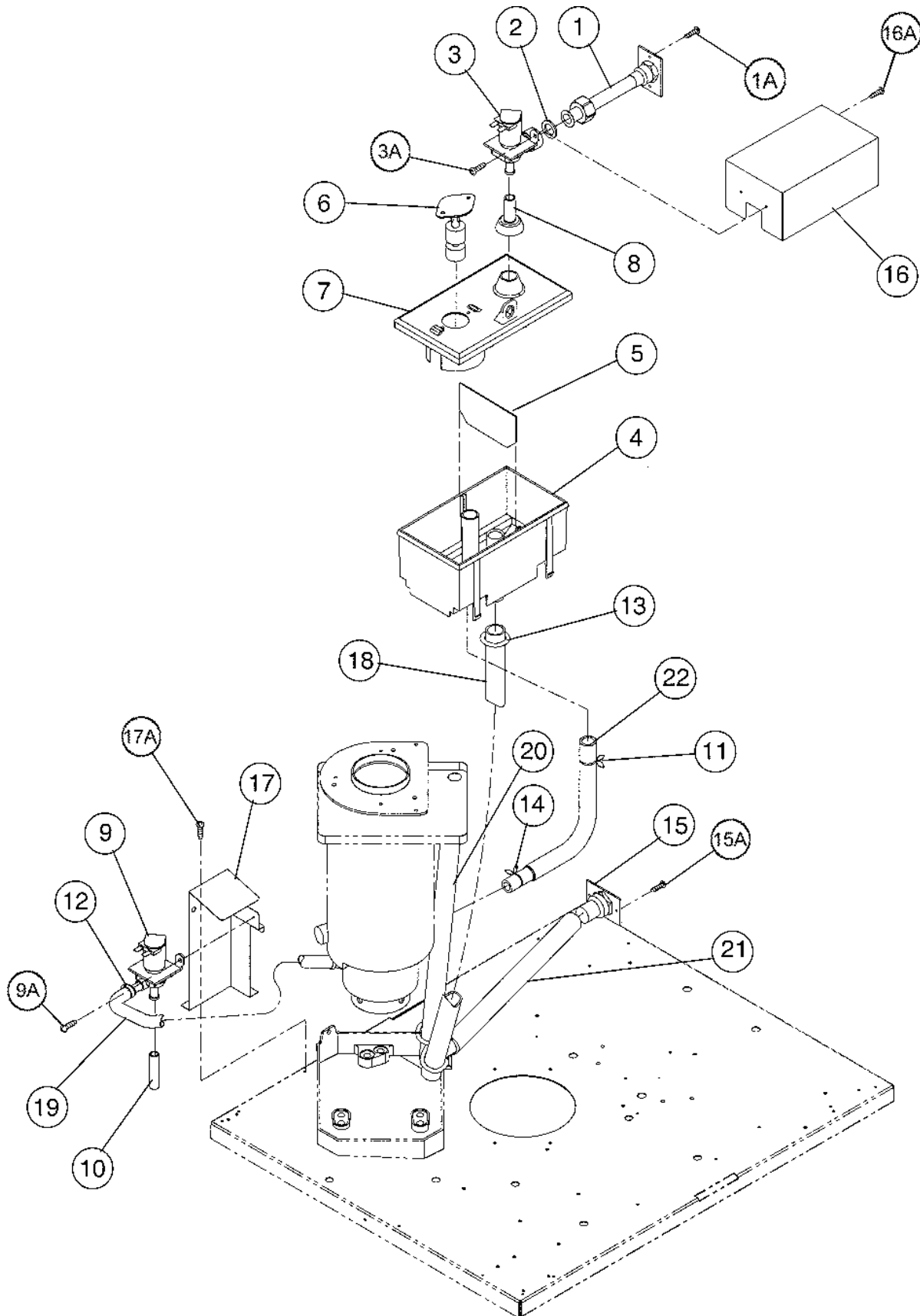
| MODEL: F-800MWF-C | | | | TITLE: B. ICE MAKING UNIT | | | | |
|-------------------|-----------------------|--------------------------|-------------|---------------------------|-----|-----|--|--|
| INDEX NO. | DESCRIPTION | MATERIAL OR MODEL NUMBER | PART NUMBER | REQUIRED NUMBER | | | | |
| | | | | H-0 J-0 | K-0 | K-1 | | |
| 1 | GEAR MOTOR | - | 4A1296-01 | 1 | x1 | | | |
| | | - | 4A2194-01 | | o1 | 1 | | |
| 1A | BOLT | 6X20 | 458660-01 | 4 | 4 | 4 | | |
| 1B | PLAIN WASHER | 6.4X12.5X1.6, SS | 7W22-0616 | 4 | 4 | 4 | | |
| 1C | SPRING WASHER | 6, SS | 7L22-0600 | 4 | 4 | 4 | | |
| 2 | - | - | - | | | | | |
| 3 | COUPLING - SPLINE | SS | 4A1297-01 | 1 | 1 | 1 | | |
| 4 | HOUSING | BRASS | 2A0947G01 | 1 | 1 | 1 | | |
| 5 | "O" RING | G65 | 7616-G065 | 1 | 1 | 1 | | |
| 6 | MECHANICAL SEAL | HK9A-MN | 432492-01 | 1 | 1 | 1 | | |
| 7 | AUGER | SS | 2A0960G02 | 1 | 1 | x1 | | |
| | | SS | 2A0932G02 | | | o1 | | |
| 8 | EVAPORATOR | - | 2A1227G01 | 1 | 1 | 1 | | |
| 8A | SOCKET HEAD CAP SCREW | 8X12, SS | 7S12-0812 | 4 | 4 | 4 | | |
| 8B | SPLIT LOCK WASHER | 8, SS | 7L22-0800 | 4 | 4 | 4 | | |
| 9 | EXTRUDING HEAD / 70N | SS | 216531G01 | 1 | 1 | 1 | | |
| 10 | SOCKET HEAD CAP SCREW | SS, M10X15 | 429121-01 | 4 | 4 | 4 | | |
| 11 | WASHER | SS | 427184-01 | 4 | 4 | 4 | | |
| 12 | CUTTER | SS | 327145-01 | 1 | 1 | 1 | | |
| 12A | HEX HEAD BOLT | 10X30, SS | 7B02-1030 | 1 | 1 | 1 | | |
| 12B | SPLIT LOCK WASHER | 10, SS | 7L22-1000 | 1 | 1 | 1 | | |
| 13 | DOWEL PIN | SS, 4 x 16 | 713S-0416 | 1 | 1 | 1 | | |
| | | | | | | | | |
| | | | | | | | | |
| | | | | | | | | |
| | | | | | | | | |
| | | | | | | | | |
| | | | | | | | | |
| | | | | | | | | |

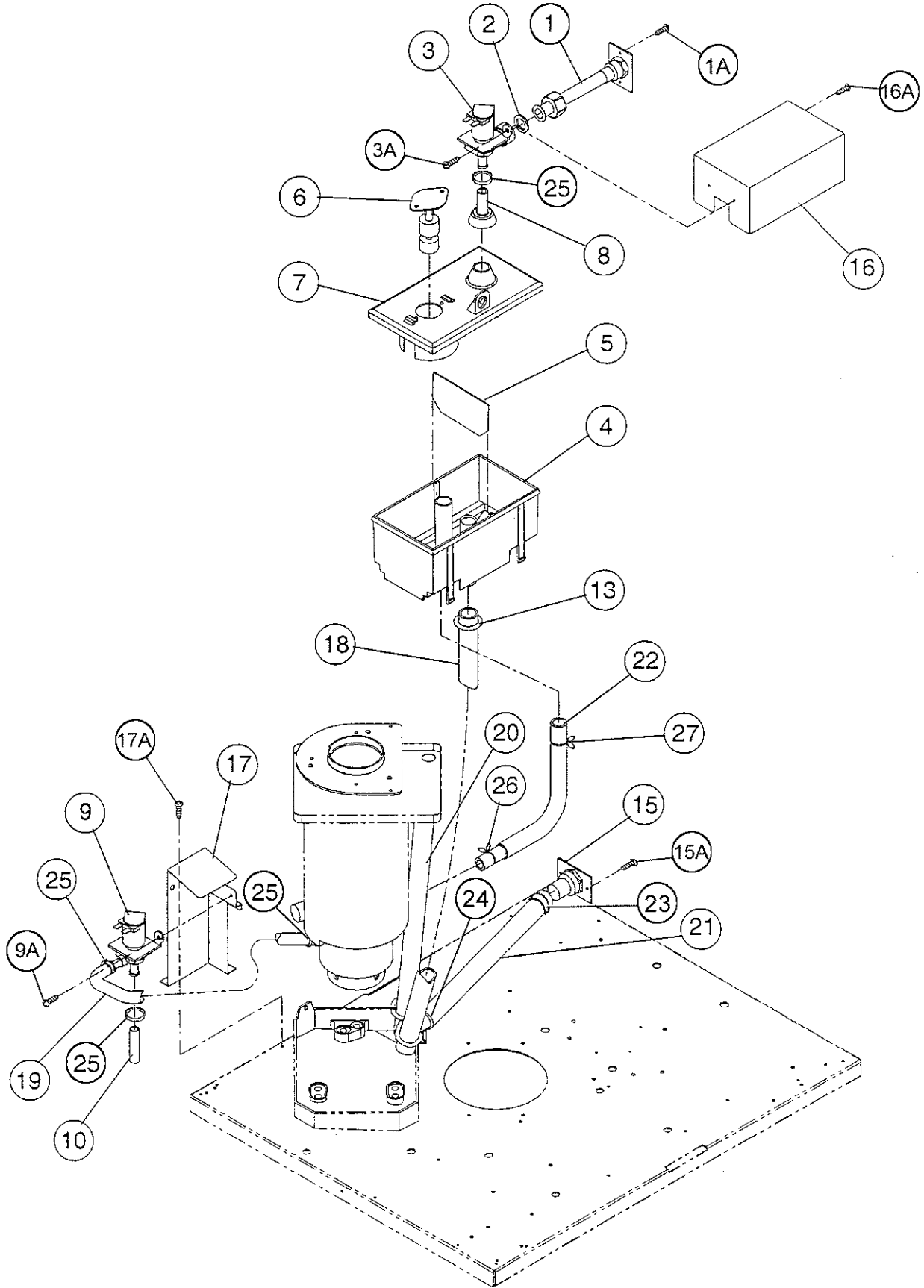


| MODEL: F-800MAF(-C) TITLE: C. REFRIGERATION UNIT | | | | | | | | |
|--|-----------------------------|--------------------------|---------------------------|-----------------|-----|-----|-----|-----|
| INDEX NO. | DESCRIPTION | MATERIAL OR MODEL NUMBER | PART NUMBER | REQUIRED NUMBER | | | | |
| | | | | H-0 J-0 | K-0 | K-1 | K-2 | L-0 |
| 1 | COMPRESSOR | RS550IE-PAA | 4A1387-01 | 1 | x1 | | | |
| | | RS55-C2E-CAA | 4A1843-01 | | o1 | 1 | 1 | 1 |
| 2 | GROMMET | 027-0073-00 | 434403-01 | 4 | 4 | 4 | 4 | 4 |
| 3 | SPACER | 027-0072-02 | 434404-01 | 4 | 4 | 4 | 4 | 4 |
| 4 | PROTECTOR | - | 4A1877-01 | 1 | 1 | 1 | 1 | 1 |
| 5 | PROTECTOR HOLDER | - | 4A1843F04 | 1 | 1 | 1 | 1 | 1 |
| 6 | BOLT | 8X50 | 437889-01 | 4 | 4 | 4 | 4 | 4 |
| 7 | CONDENSER-AIR COOLED | 971634C | 2A0340-01 | 1 | 1 | 1 | 1 | 1 |
| 7A | FT SCREW | 4X8, SS | 7F32-0408 | 4 | 4 | 4 | 4 | 4 |
| 8 | SHROUD | GS | 2A0334-01 | 1 | 1 | 1 | 1 | 1 |
| 8A | T2 SCREW | 4X8 | 7P31-0408 | 6 | 6 | 6 | 6 | 6 |
| 9 | FAN MOTOR BRACKET | GS | 327180-01 | 1 | 1 | 1 | 1 | 1 |
| 9A | HEX HEAD BOLT W/WASHER | 5X12, SS | 7B0230512 | 4 | 4 | 4 | 4 | 4 |
| 10 | FAN MOTOR | U90B17190-1031 | 440911-01 | 1 | 1 | 1 | 1 | 1 |
| 11 | FAN BLADE | AD10CW32 | 444898-01 | 1 | 1 | 1 | 1 | 1 |
| 12 | DRIER | ATCH-032S | 4A1113-01 | 1 | 1 | 1 | 1 | 1 |
| 13 | COPPER TUBE (A) - HIGH SIDE | COPPER | 3A0945G01 | 1 | 1 | 1 | 1 | 1 |
| 14 | COPPER TUBE (B) -HIGH SIDE | COPPER | 3A0946G01 | 1 | 1 | 1 | 1 | 1 |
| 15 | EXPANSION VALVE | AN-1-SC | 4A1117-01 | 1 | 1 | 1 | 1 | 1 |
| 16 | EXPANSION VALVE COVER | PE FOAM | 4A1168-01 | 1 | 1 | 1 | 1 | 1 |
| 17 | COPPER TUBE – LOW SIDE | COPPER | 3A1820G01 | 1 | 1 | 1 | 1 | 1 |
| 18 | INSULATION TUBE | L=170 | 7762-1330 | 1 | 1 | 1 | 1 | 1 |
| 19 | COPPER TUBE-ACCESS VALVE | COPPER | 4A1364G01 | 1 | 1 | 1 | 1 | 1 |
| 20 | PRESSURE SWITCH | ACB-2UB04 | 433441-05 | 1 | 1 | 1 | 1 | 1 |
| 21 | PRESSURE SWITCH BRACKET | GS | 434938-01 | 1 | 1 | 1 | 1 | 1 |
| 21A | T2 SCREW | 4X8 | 7P31-0408 | 1 | 1 | 1 | 1 | 1 |
| 22 | CLAMP | - | 443461-01 | 1 | 1 | 1 | 1 | 1 |
| 23 | INSULATION TUBE | L=130 | 7762-2943 | 1 | 1 | 1 | 1 | 1 |
| 24 | CABLE TIE | CV-150 | 7920-0003 | 10 | 10 | 10 | 10 | 10 |

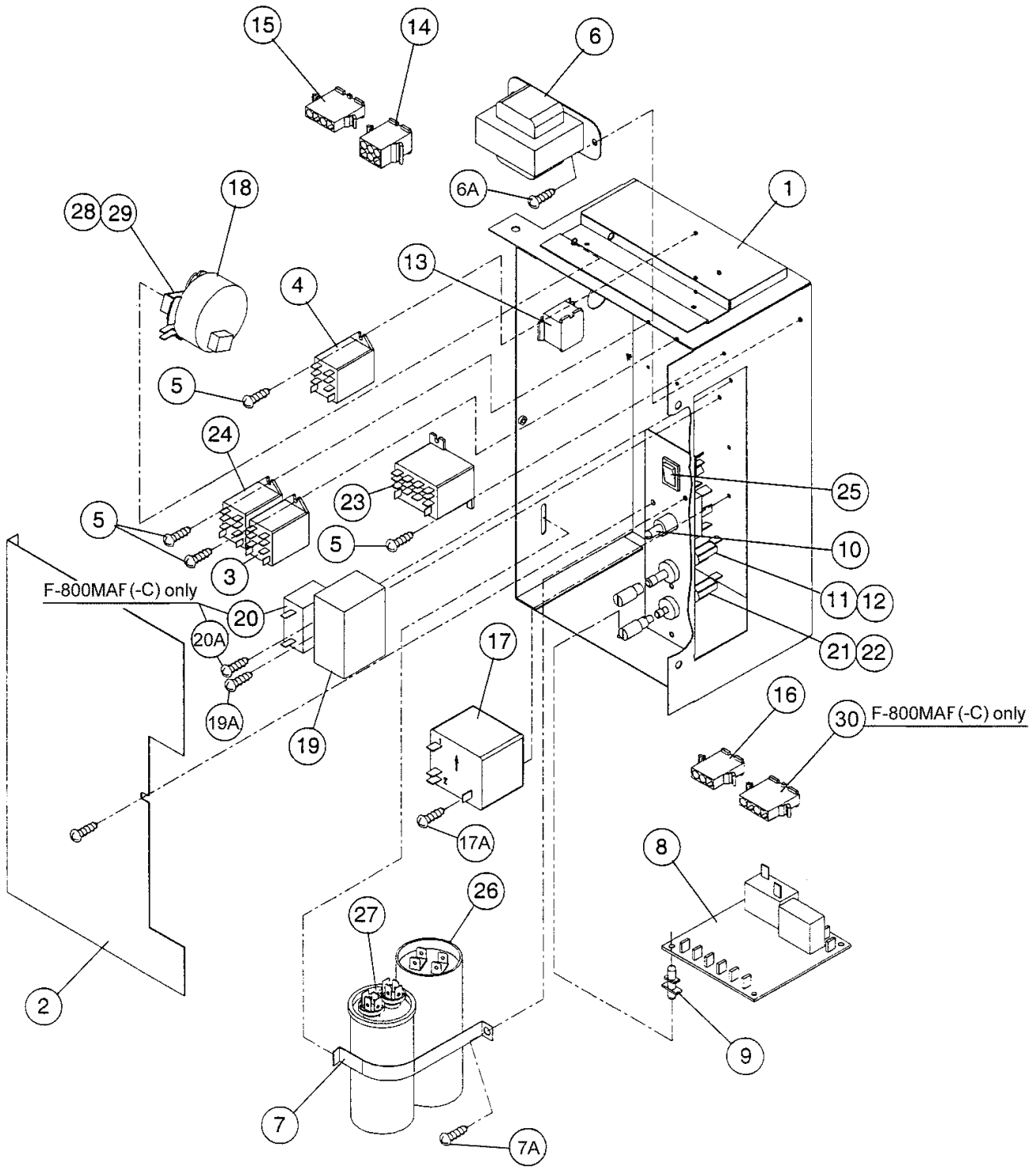


| MODEL: F-800MWF(-C) TITLE: C. REFRIGERATION UNIT | | | | | | | | |
|--|-------------------------------|--------------------------|-------------|-----------------|-----|-----|-----|-----|
| INDEX NO. | DESCRIPTION | MATERIAL OR MODEL NUMBER | PART NUMBER | REQUIRED NUMBER | | | | |
| | | | | H-0 J-0 | K-0 | K-1 | K-2 | L-0 |
| 1 | COMPRESSOR | RS55CIE-PAA | 4A1387-01 | 1 | x1 | | | |
| | | R5S55C2E-CAA | 4A1843-01 | | o1 | 1 | 1 | 1 |
| 2 | GROMMET | 027-0073-00 | 434403-01 | 4 | 4 | 4 | 4 | 4 |
| 3 | SPACER | 027-0072-02 | 434404-01 | 4 | 4 | 4 | 4 | 4 |
| 4 | PROTECTOR | - | 4A1877-01 | 1 | 1 | 1 | 1 | 1 |
| 5 | PROTECTOR HOLDER | - | 4A1843F04 | 1 | 1 | 1 | 1 | 1 |
| 6 | BOLT | 8X50 | 437889-01 | 4 | 4 | 4 | 4 | 4 |
| 7 | CONDENSER-WATER COOLED | - | 212929-04 | 1 | 1 | 1 | 1 | 1 |
| 7A | HEX BOLT W/WASHER (LF) | 5X10, SS | 7B0230510 | 3 | 3 | 3 | 3 | 3 |
| 8 | WASHER | - | 4A0655-03 | 3 | 3 | 3 | 3 | 3 |
| 9 | WATER REGULATOR | V46EA-7 | 4A0911-04 | 1 | 1 | 1 | 1 | 1 |
| 9A | TRUSS HEAD SCREW | 4X8 | 7C31-0408 | 2 | 2 | 2 | 2 | 2 |
| 10 | DRIER | ATCH-032S | 4A1113-01 | 1 | 1 | 1 | 1 | 1 |
| 11 | COPPER TUBE (A) - HIGH SIDE | COPPER | 3A0958G01 | 1 | 1 | 1 | 1 | 1 |
| 12 | COPPER TUBE (B) - HIGH SIDE | COPPER | 3A0946G01 | 1 | 1 | 1 | 1 | 1 |
| 13 | COPPER TUBE (C) - HIGH SIDE | COPPER | 3A0959-01 | 1 | 1 | 1 | 1 | 1 |
| 14 | EXPANSION VALVE | AN-1-SC | 4A1117-01 | 1 | 1 | 1 | 1 | 1 |
| 15 | EXPANSION VALVE COVER | PE FOAM | 4A1168-01 | 1 | 1 | 1 | 1 | 1 |
| 16 | COPPER TUBE – LOW SIDE | COPPER | 3A1820G01 | 1 | 1 | 1 | 1 | 1 |
| 17 | INSULATION TUBE | L=170 | 7762-1330 | 1 | 1 | 1 | 1 | 1 |
| 18 | COPPER TUBE - ACCESS VALVE | COPPER | 4A1364G01 | 1 | 1 | 1 | 1 | 1 |
| 19 | PRESSURE SWITCH | ACB-2UB04 | 433441-05 | 1 | 1 | 1 | 1 | 1 |
| 20 | PRESSURE SWITCH BRACKET | GS | 434938-01 | 1 | 1 | 1 | 1 | 1 |
| 20A | T2 SCREW | 4X8 | 7P31-0408 | 1 | 1 | 1 | 1 | 1 |
| 21 | COPPER TUBE (A) -WATER INLET | COPPER | 3A0960G01 | 1 | 1 | 1 | 1 | 1 |
| 21A | T2 SCREW | 4X8 | 7P31-0408 | 2 | 2 | 2 | 2 | 2 |
| 22 | COPPER TUBE (B) -WATER OUTLET | COPPER | 3A0961G01 | 1 | 1 | 1 | 1 | 1 |
| 23 | MALE CONNECTOR | 48F-8-6 | 4A1087-01 | 1 | 1 | 1 | 1 | 1 |
| 24 | CLAMP | 08 | 443461-01 | 1 | 1 | 1 | 1 | 1 |

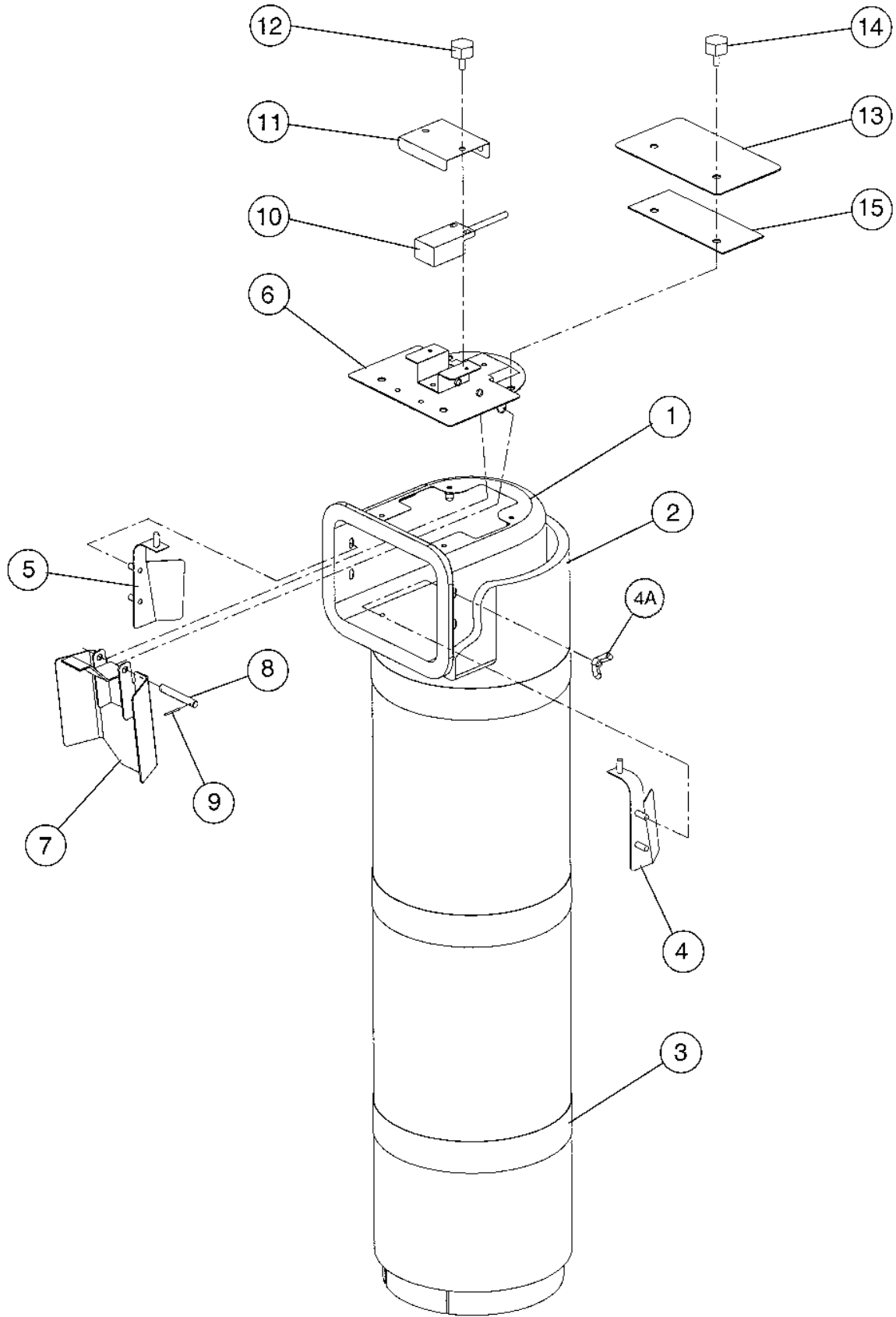


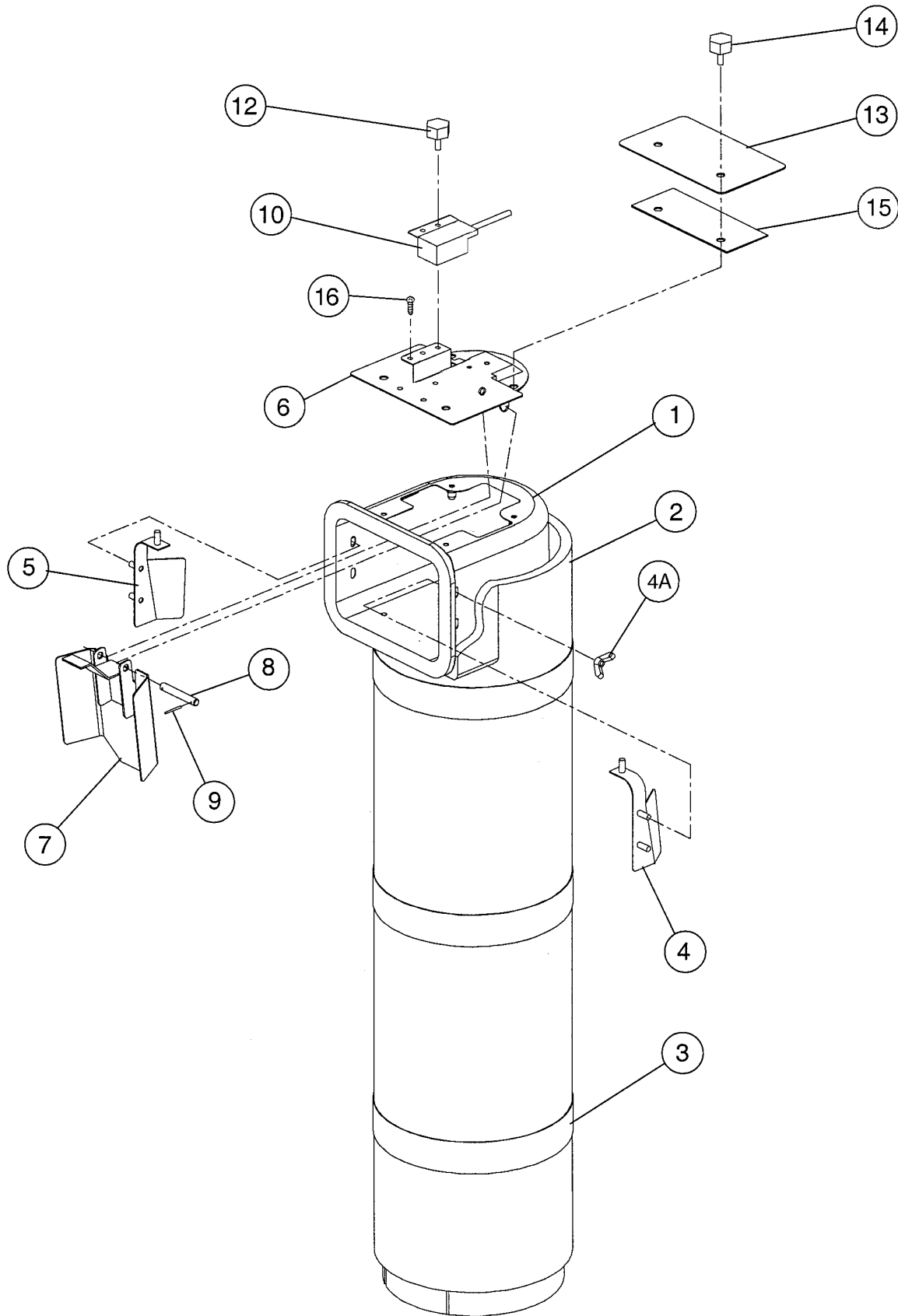


| MODEL: F-800MAF(-C), MWF(-C) | | TITLE: D. WATER CIRCUIT | | | | | | |
|------------------------------|-------------------------|--------------------------|-------------|-----------------|-----|-----|-----|-----|
| INDEX NO. | DESCRIPTION | MATERIAL OR MODEL NUMBER | PART NUMBER | REQUIRED NUMBER | | | | |
| | | | | H-0 J-0 | K-0 | K-1 | K-2 | L-0 |
| 1 | WATER SUPPLY PIPE | COPPER | 4A0891G01 | 1 | 1 | 1 | 1 | 1 |
| 1A | T2 SCREW | 4X8 | 7P31-0408 | 2 | 2 | 2 | 2 | 2 |
| 2 | WASHER | K-59963 | 4A0867-01 | 1 | 1 | 1 | 1 | 1 |
| 3 | WATER VALVE | S-30 | 4A0865-01 | 1 | 1 | 1 | 1 | 1 |
| 3A | T2 SCREW | 4X8, SS | 7P32-0408 | 2 | 2 | 2 | 2 | 2 |
| 4 | RESERVOIR | PP | 2A0753-01 | 1 | 1 | 1 | 1 | 1 |
| 5 | SEPARATOR-RESERVOIR | ABS | 4A1255-01 | 1 | 1 | 1 | 1 | 1 |
| 6 | FLOAT SWITCH | TW-1221-101 | 435490-01 | 1 | 1 | 1 | 1 | 1 |
| 7 | RESERVOIR COVER | PP | 214810-01 | 1 | 1 | 1 | 1 | 1 |
| 8 | INLET- RESERVOIR | SI.R. | 4A0869-01 | 1 | 1 | 1 | 1 | 1 |
| 9 | WATER VALVE | S-60N | 4A0866-01 | 1 | x1 | | | |
| | | - | 4A2077-01 | | o1 | 1 | 1 | 1 |
| 9A | T2 SCREW | 4X8 | 7P31-0408 | 2 | 2 | 2 | 2 | 2 |
| 10 | VINYL HOSE | L=50 | 7725-0912 | 1 | x1 | | | |
| | | L=40 | 7716-0913 | | o1 | 1 | 1 | 1 |
| 11 | CLAMP | - | 435934-06 | 1 | - | | | |
| 12 | CLAMP | - | 421642-04 | 2 | - | | | |
| 13 | CABLE TIE | CV-150 | 7920-0003 | 8 | 4 | 4 | 4 | 4 |
| 14 | HOSE CLAMP | - | 4A2017-06 | 1 | 1 | 1 | 1 | 1 |
| 15 | FITTING | COPPER | 4A0776G01 | 1 | 1 | 1 | 1 | 1 |
| 15A | T2 SCREW | 4X8 | 7P31-0406 | 2 | 2 | 2 | 2 | 2 |
| 16 | WATER VALVE BRACKET | GS | 3A0553-01 | 1 | 1 | 1 | 1 | 1 |
| 16A | T2 SCREW | 4X8 | 7P31-0408 | 3 | 3 | 3 | 3 | 3 |
| 17 | WATER VALVE BRACKET (D) | GS | 3A0554-01 | 1 | 1 | 1 | 1 | 1 |
| 17A | T2 SCREW | 4X8 | 7P31-0408 | 2 | 2 | 2 | 2 | 2 |
| 18 | SILICONE HOSE | L=410 | 7730-1822 | 1 | 1 | 1 | 1 | 1 |
| 19 | SILICONE HOSE | L=225 | 7730-0912 | 1 | x1 | | | |
| | | L=225 | 7730I3896 | | o1 | 1 | 1 | 1 |

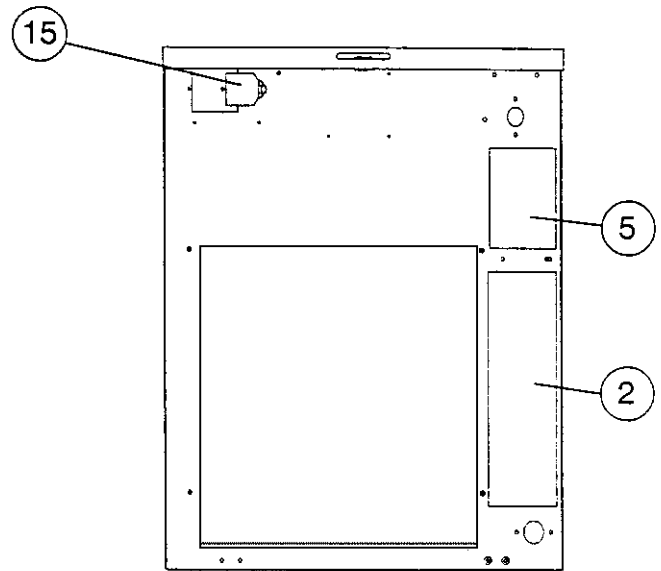
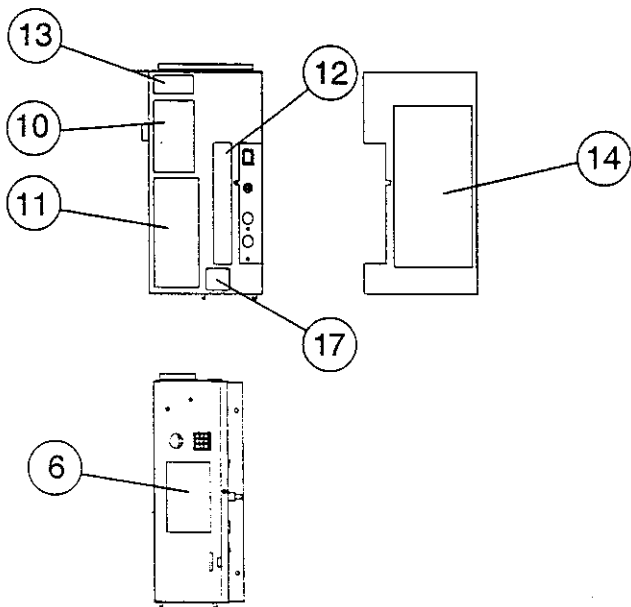
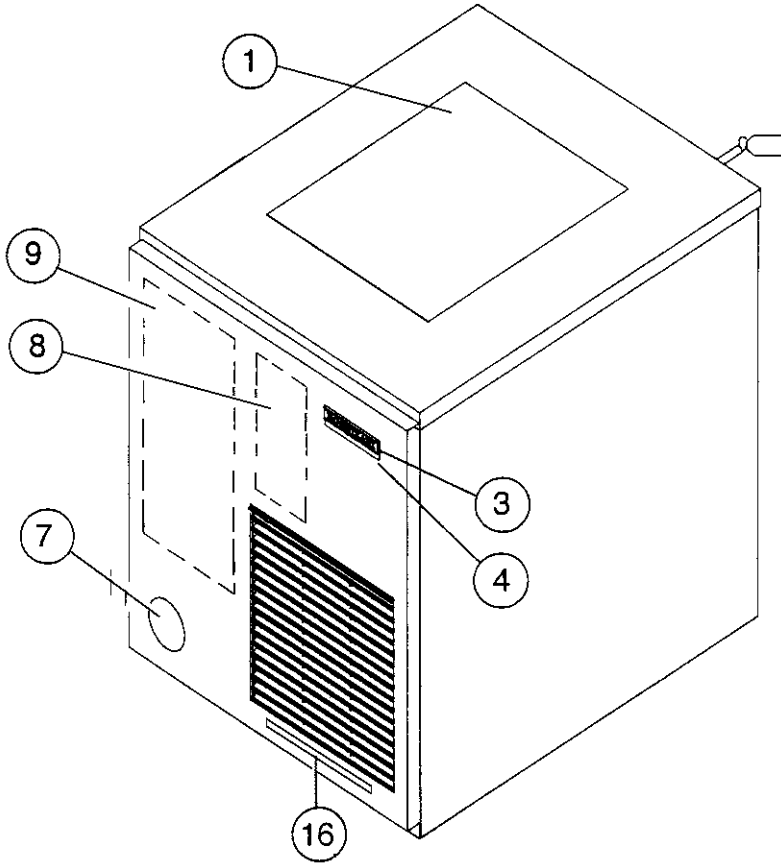


| MODEL: F-800MAF(-C), MWF(-C) TITLE: E. CONTROL BOX ASSEMBLY | | | | | | | | |
|---|-------------------|-----------------------------|-------------|-----------------|-----|-----|-----|-----|
| INDEX NO. | DESCRIPTION | MATERIAL OR MODEL NUMBER | PART NUMBER | REQUIRED NUMBER | | | | |
| | | | | H-0 J-0 | K-0 | K-1 | K-2 | L-0 |
| 1 | CONTROL BOX | GS | 2A0229G04 | 1 | 1 | 1 | 1 | 1 |
| 2 | COVER-CONTROL BOX | GS | 3A0411-01 | 1 | 1 | 1 | 1 | 1 |
| 2A | TRUSS HEAD SCREW | 4X8 | 7C31-0408 | 1 | 1 | 1 | 1 | 1 |
| 3 | RELAY | LY-1F, AC120V | 418271-03 | 1 | 1 | 1 | 1 | 1 |
| 4 | RELAY | LY-2F, AC24V | 406132-03 | 1 | 1 | 1 | 1 | 1 |
| 5 | TAPPING SCREW | 3X8 | 431415-01 | 8 | 8 | 8 | 8 | 8 |
| 6 | TRANSFORMER | BE1416225GEK 120/24V, 1A | 4A0557-01 | 1 | 1 | 1 | 1 | 1 |
| 6A | T2 SCREW | 4X8 | 7P31-0408 | 2 | 2 | 2 | 2 | 2 |
| 7 | STRAP | GS | 434580-01 | 1 | x1 | | | |
| | | GS | 434580-05 | | o1 | 1 | 1 | 1 |
| 7A | T2 SCREW | 4X8 | 7P31-0408 | 2 | 2 | 2 | 2 | 2 |
| 8 | TIMER BOARD | H2AA144C01 | 437305-01 | 1 | 1 | 1 | 1 | 1 |
| 9 | BOARD SUPPORT | CBLS37-N | 4A0336-03 | 4 | 4 | 4 | 4 | 4 |
| 10 | TOGGLE SWITCH | - | 4A0567-01 | 1 | 1 | 1 | 1 | x1 |
| | | - | 4A2332-01 | | | | | o1 |
| 11 | FUSE HOLDER | HTB921, 250V, 1A | 4A0892-01 | 1 | 1 | 1 | 1 | 1 |
| 12 | FUSE | AGC-1, 250V, 1A | 4A0893-01 | 1 | 1 | 1 | 1 | 1 |
| 13 | 9P PLUG HOUSING | 3191-09P | 412832-02 | 1 | 1 | 1 | 1 | 1 |
| 14 | 6P PLUG HOUSING | 3191-06P | 412832-03 | 1 | 1 | 1 | 1 | 1 |
| 15 | 4P PLUG HOUSING | 3191-04P | 412832-05 | 1 | 1 | 1 | 1 | 1 |
| 16 | 3P PLUG HOUSING | 3191-03P | 412832-06 | 1 | 1 | 1 | 1 | 1 |
| 17 | STARTER | - | 4A0875-01 | 1 | 1 | 1 | 1 | x1 |
| | | - | 4A1107-13 | | | | | o1 |
| 17A | T2 SCREW | 4X8 | 7P31-0408 | 1 | 1 | 1 | 1 | 1 |
| 18 | TIMER | 9816-2 | 4A0889-01 | 1 | 1 | 1 | 1 | 1 |
| 19 | CAPACITOR (GM) | 12FD, 330VAC | 4A0894-01 | 1 | 1 | 1 | 1 | 1 |
| 19A | T2 SCREW | 4X8 | 7P31-0408 | 1 | 1 | 1 | 1 | 1 |



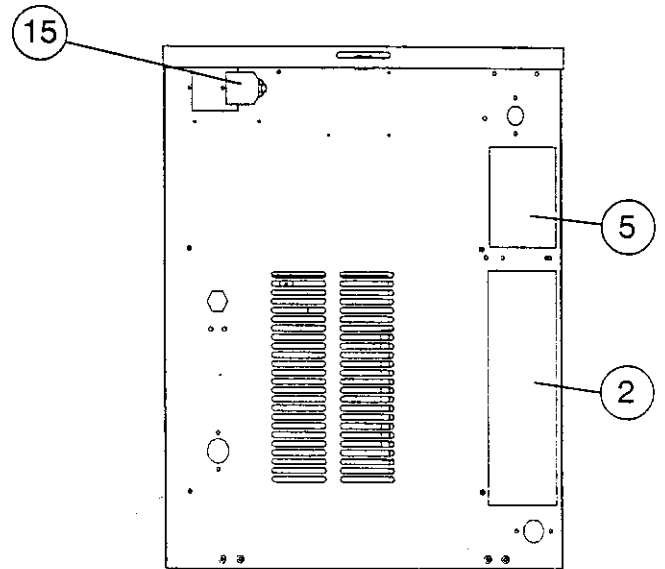
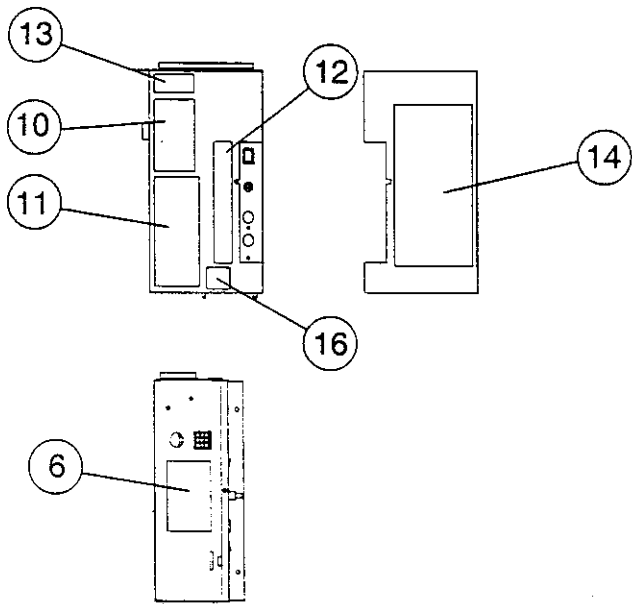
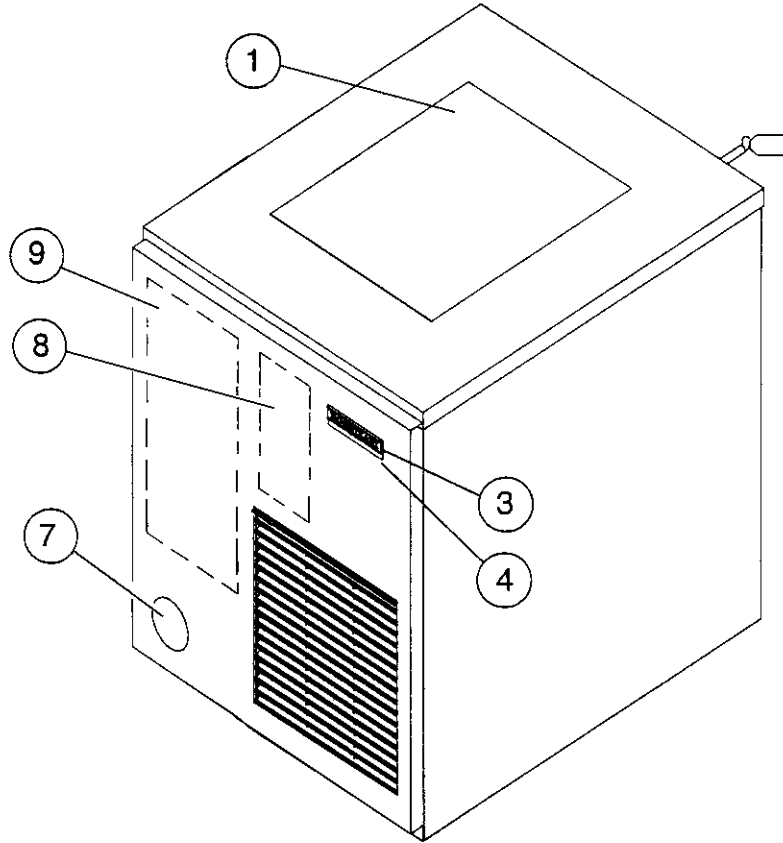


| MODEL: F-800MAF(-C), MWF(-C) | | TITLE: F. CHUTE ASSEMBLY | | | | | | |
|------------------------------|----------------------|--------------------------|-------------|-----------------|-----|-----|-----|-----|
| INDEX NO. | DESCRIPTION | MATERIAL OR MODEL NUMBER | PART NUMBER | REQUIRED NUMBER | | | | |
| | | | | H-0 J-0 | K-0 | K-1 | K-2 | L-0 |
| 1 | CHUTE | PE | 2A1057-01 | 1 | 1 | 1 | 1 | 1 |
| 2 | INSULATION-CHUTE | PE FOAM | 213304-02 | 1 | 1 | 1 | 1 | 1 |
| 3 | TIE | PA | 436531G01 | 3 | 3 | 3 | 3 | 3 |
| 4 | BAFFLE-CHUTE (A) | SS | 3A0400G01 | 1 | 1 | 1 | 1 | 1 |
| 4A | WING NUT | 4, SS | 7E12-0400 | 6 | 6 | 6 | 6 | 6 |
| 5 | BAFFLE-CHUTE (B) | SS | 3A0399G01 | 1 | 1 | 1 | 1 | 1 |
| 6 | BIN CONTROL | SS | 338043G02 | 1 | - | | | |
| | BIN CONTROL ASSEMBLY | SS | 3A1744G01 | | 1 | 1 | 1 | 1 |
| 7 | ACTUATOR | SS | 436848G01 | 1 | 1 | 1 | 1 | 1 |
| 8 | SHAFT | SS | 436851-01 | 1 | 1 | 1 | 1 | 1 |
| 9 | SNAP PIN | SS, SSP-5 | 715S-0005 | 2 | 2 | 2 | 2 | 2 |
| 10 | PROXIMITY SWITCH | - | 427223-01 | 1 | - | | | |
| | | | 4A2033-01 | | 1 | 1 | 1 | 1 |
| 11 | COVER – SWITCH | SS | 451870-01 | 1 | - | | | |
| 12 | THUMBSCREW | ABS,SS | 415949G04 | 2 | 2 | 2 | 2 | 2 |
| 13 | PLATE | SS | 438336-01 | 1 | - | | | |
| | | SS | 4A2039-01 | | 1 | 1 | 1 | 1 |
| 14 | THUMBSCREW | ABS,SS | 415949G09 | 2 | 2 | 2 | 2 | 2 |
| 15 | PACKING | EPDM | 441217-01 | 1 | 1 | 1 | 1 | 1 |
| 16 | TRUSS HEAD SCREW | 4X8, SS | 7C32-0408 | | 1 | 1 | 1 | 1 |
| | | | | | | | | |
| | | | | | | | | |
| | | | | | | | | |
| | | | | | | | | |
| | | | | | | | | |
| | | | | | | | | |
| | | | | | | | | |
| | | | | | | | | |
| | | | | | | | | |



| MODEL: F-800MAF | | TITLE: G. LABEL LOCATION | | | | | | |
|-----------------|------------------------------------|--------------------------|---------------------------|-----------------|-----|-----|-----|--|
| INDEX NO. | DESCRIPTION | MATERIAL OR MODEL NUMBER | PART NUMBER | REQUIRED NUMBER | | | | |
| | | | | H-0 J-0 | K-0 | K-1 | L-0 | |
| 1 | INSTRUCTION SHEET | PAPER | 2A1054-01 | 1 | 1 | 1 | 1 | |
| 2 | INSTRUCTION SHEET | PAPER | 433523-01 | 1 | 1 | 1 | 1 | |
| 3 | EMBLEM | PETP FILM | 4A0560-01 | 1 | 1 | 1 | 1 | |
| 4 | MODEL NUMBER LABEL | PETP FILM | 4A1832-01 | 1 | 1 | 1 | 1 | |
| 5 | NAMEPLATE | PES FILM | 3A0971-01 | 1 | 1 | 1 | 1 | |
| 6 | RATING LABEL | PES FILM | 3A1123-01 | 1 | 1 | 1 | 1 | |
| 7 | LABEL-PENGUIN-HA-R | PETP FILM | 4A0526-01 | 1 | 1 | 1 | 1 | |
| 8 | INSTRUCTION LABEL | PVC FILM | 326371-01 | 1 | 1 | 1 | 1 | |
| 9 | LABEL-CLEANING | PVC FILM | 326370-01 | 1 | 1 | 1 | 1 | |
| 10 | CAUTION LABEL (E) | PVC FILM | 439145-01 | 1 | 1 | 1 | 1 | |
| 11 | CAUTION LABEL (H) | PVC FILM | 439148-01 | 1 | 1 | 1 | 1 | |
| 12 | CONTROL LABEL | PVC FILM | 4A1613-01 | 1 | 1 | 1 | 1 | |
| 13 | LABEL-R404A | - | 4A0960-01 | 1 | 1 | 1 | 1 | |
| 14 | WIRING LABEL | PVC FILM | 2A1395-01 | 1 | x1 | | | |
| | | PVC FILM | 2A1703-01 | | o1 | 1 | 1 | |
| 15 | TAG-WARNING: ELECTRICAL CONNECTION | PAPER | 435005-01 | 1 | 1 | 1 | 1 | |
| 16 | LABEL-AIR FILTER | PETP FILM | 426177-01 | 1 | 1 | 1 | 1 | |
| 17 | LABEL (GM) - FUSE | PVC FILM | 4A1614-01 | 1 | 1 | 1 | 1 | |
| | | | | | | | | |
| | | | | | | | | |
| | | | | | | | | |
| | | | | | | | | |
| | | | | | | | | |
| | | | | | | | | |
| | | | | | | | | |
| | | | | | | | | |
| | | | | | | | | |
| | | | | | | | | |
| | | | | | | | | |
| | | | | | | | | |
| | | | | | | | | |

| MODEL: F-800MAF-C | | TITLE: G. LABEL LOCATION | | | | | | |
|-------------------|------------------------------------|--------------------------|-------------|-----------------|-----|-----|-----|--|
| INDEX NO. | DESCRIPTION | MATERIAL OR MODEL NUMBER | PART NUMBER | REQUIRED NUMBER | | | | |
| | | | | H-0 J-0 | K-1 | K-2 | L-0 | |
| 1 | INSTRUCTION SHEET | PAPER | 2A1054-01 | 1 | 1 | 1 | 1 | |
| 2 | INSTRUCTION SHEET | PAPER | 433523-01 | 1 | 1 | 1 | 1 | |
| 3 | EMBLEM | PETP FILM | 4A0560-01 | 1 | 1 | 1 | 1 | |
| 4 | MODEL NUMBER LABEL | PETP FILM | 4A1832-03 | 1 | 1 | 1 | 1 | |
| 5 | NAMEPLATE | PES FILM | 3A0971-03 | 1 | 1 | 1 | 1 | |
| 6 | RATING LABEL | PES FILM | 3A1123-03 | 1 | 1 | 1 | 1 | |
| 7 | LABEL-PENGUIN-HA-R | PETP FILM | 4A0526-01 | 1 | 1 | 1 | 1 | |
| 8 | INSTRUCTION LABEL | PVC FILM | 326371-01 | 1 | 1 | 1 | 1 | |
| 9 | LABEL-CLEANING | PVC FILM | 326370-01 | 1 | 1 | 1 | 1 | |
| 10 | CAUTION LABEL (E) | PVC FILM | 439145-01 | 1 | 1 | 1 | 1 | |
| 11 | CAUTION LABEL (H) | PVC FILM | 439148-01 | 1 | 1 | 1 | 1 | |
| 12 | CONTROL LABEL | PVC FILM | 4A1613-01 | 1 | 1 | 1 | 1 | |
| 13 | LABEL-R404A | - | 4A0960-01 | 1 | 1 | 1 | 1 | |
| 14 | WIRING LABEL | PVC FILM | 2A1395-01 | 1 | x1 | | | |
| | | PVC FILM | 2A1703-01 | | o1 | 1 | 1 | |
| 15 | TAG-WARNING: ELECTRICAL CONNECTION | PAPER | 435005-01 | 1 | 1 | 1 | 1 | |
| 16 | LABEL-AIR FILTER | PETP FILM | 426177-01 | 1 | 1 | 1 | 1 | |
| 17 | LABEL (GM) - FUSE | PVC FILM | 4A1614-01 | 1 | 1 | 1 | 1 | |
| | | | | | | | | |
| | | | | | | | | |
| | | | | | | | | |
| | | | | | | | | |
| | | | | | | | | |
| | | | | | | | | |
| | | | | | | | | |
| | | | | | | | | |
| | | | | | | | | |
| | | | | | | | | |
| | | | | | | | | |
| | | | | | | | | |
| | | | | | | | | |



| MODEL: F-800MWF | | TITLE: G. LABEL LOCATION | | | | | | |
|-----------------|------------------------------------|--------------------------|-------------|-----------------|-----|-----|-----|--|
| INDEX NO. | DESCRIPTION | MATERIAL OR MODEL NUMBER | PART NUMBER | REQUIRED NUMBER | | | | |
| | | | | H-0 J-0 | K-1 | K-2 | L-0 | |
| 1 | INSTRUCTION SHEET | PAPER | 2A1054-01 | 1 | 1 | 1 | 1 | |
| 2 | INSTRUCTION SHEET | PAPER | 433523-01 | 1 | 1 | 1 | 1 | |
| 3 | EMBLEM | PETP FILM | 4A0560-01 | 1 | 1 | 1 | 1 | |
| 4 | MODEL NUMBER LABEL | PETP FILM | 4A1832-02 | 1 | 1 | 1 | 1 | |
| 5 | NAMEPLATE | - | 3A0971-02 | 1 | - | | | |
| | | - | 3A0971-05 | | 1 | 1 | 1 | |
| 6 | RATING LABEL | - | 3A1123-02 | 1 | - | | | |
| | | - | 3A1123-05 | | 1 | 1 | 1 | |
| 7 | LABEL-PENGUIN-HA-R | PETP FILM | 4A0526-01 | 1 | 1 | 1 | 1 | |
| 8 | INSTRUCTION LABEL | PVC FILM | 326371-01 | 1 | 1 | 1 | 1 | |
| 9 | LABEL-CLEANING | PVC FILM | 326370-01 | 1 | 1 | 1 | 1 | |
| 10 | CAUTION LABEL (E) | PVC FILM | 439145-01 | 1 | 1 | 1 | 1 | |
| 11 | CAUTION LABEL (H) | PVC FILM | 439148-01 | 1 | 1 | 1 | 1 | |
| 12 | CONTROL LABEL | PVC FILM | 4A1613-01 | 1 | 1 | 1 | 1 | |
| 13 | LABEL-R404A | PES FILM | 4A0960-01 | 1 | 1 | 1 | 1 | |
| 14 | WIRING LABEL | PVC FILM | 2A1395-01 | 1 | x1 | | | |
| | | PVC FILM | 2A1703-01 | | o1 | 1 | 1 | |
| 15 | TAG-WARNING: ELECTRICAL CONNECTION | PAPER | 435005-01 | 1 | 1 | 1 | 1 | |
| 16 | LABEL (GM) - FUSE | PVC FILM | 4A1614-01 | 1 | 1 | 1 | 1 | |
| | | | | | | | | |
| | | | | | | | | |
| | | | | | | | | |
| | | | | | | | | |
| | | | | | | | | |
| | | | | | | | | |
| | | | | | | | | |
| | | | | | | | | |
| | | | | | | | | |
| | | | | | | | | |

| MODEL: F-800MWF-C | | TITLE: G. LABEL LOCATION | | | | | | |
|-------------------|------------------------------------|--------------------------|-------------|-----------------|-----|-----|--|--|
| INDEX NO. | DESCRIPTION | MATERIAL OR MODEL NUMBER | PART NUMBER | REQUIRED NUMBER | | | | |
| | | | | H-0 J-0 | K-0 | K-1 | | |
| 1 | INSTRUCTION SHEET | PAPER | 2A1054-01 | 1 | 1 | 1 | | |
| 2 | INSTRUCTION SHEET | PAPER | 433523-01 | 1 | 1 | 1 | | |
| 3 | EMBLEM | PETP FILM | 4A0560-01 | 1 | 1 | 1 | | |
| 4 | MODEL NUMBER LABEL | PETP FILM | 4A1832-04 | 1 | 1 | 1 | | |
| 5 | NAMEPLATE | - | 3A0971-04 | 1 | - | | | |
| | | - | 3A0971-06 | | 1 | 1 | | |
| 6 | RATING LABEL | - | 3A1123-04 | 1 | - | | | |
| | | - | 3A1123-06 | | 1 | 1 | | |
| 7 | LABEL-PENGUIN-HA-R | PETP FILM | 4A0526-01 | 1 | 1 | 1 | | |
| 8 | INSTRUCTION LABEL | PVC FILM | 326371-01 | 1 | 1 | 1 | | |
| 9 | LABEL-CLEANING | PVC FILM | 326370-01 | 1 | 1 | 1 | | |
| 10 | CAUTION LABEL (E) | PVC FILM | 439145-01 | 1 | 1 | 1 | | |
| 11 | CAUTION LABEL (H) | PVC FILM | 439148-01 | 1 | 1 | 1 | | |
| 12 | CONTROL LABEL | PVC FILM | 4A1613-01 | 1 | 1 | 1 | | |
| 13 | LABEL-R404A | PES FILM | 4A0960-01 | 1 | 1 | 1 | | |
| 14 | WIRING LABEL | PVC FILM | 2A1395-01 | 1 | x1 | | | |
| | | PVC FILM | 2A1703-01 | | o1 | 1 | | |
| 15 | TAG-WARNING: ELECTRICAL CONNECTION | PAPER | 435005-01 | 1 | 1 | 1 | | |
| 16 | LABEL (GM) - FUSE | PVC FILM | 4A1614-01 | 1 | 1 | 1 | | |
| | | | | | | | | |
| | | | | | | | | |
| | | | | | | | | |
| | | | | | | | | |
| | | | | | | | | |
| | | | | | | | | |
| | | | | | | | | |
| | | | | | | | | |
| | | | | | | | | |

