

---

NO. 71150

ISSUED: SEPT. 8, 1999

REVISED: AUG. 27, 2002

---



**HOSHIZAKI  
MODULAR FLAKER**

**MODEL  
F-450MAF(-C)**

**(FINAL) PARTS LIST**

<b>F-450MAF</b>	H-0	JUL. 1998
	J-0	FEB. 1999
	K-0	DEC. 1999
	L-0	DEC. 2000

<b>F-450MAF-C</b>	H-0	FEB. 1998
	J-0	JAN. 1999
	K-0	DEC. 1999
	L-0	DEC. 2000

## MATERIAL ABBREVIATIONS

### ALUMINUM

AL = Aluminum

### COPPER

CU = Copper

### PLASTIC

ABS = Acrylonitrile -butadiene - styrene  
 AC = Polyacetal  
 EVA = Ethylene vinyl acetate  
 PA = Polyamide = Nylon  
 PC = Polycarbonate  
 PE = Polyethylene  
 PES = Polyester  
 PETP = Polyethylene terephthalate = Tetlon  
 PP = Polypropylene  
 PS = Polystyrene  
 PIFE = Polytetrafluoroethylene = Teflon  
 PUR = Polyurethane  
 PVC = Polyvinyl chloride

### RUBBER

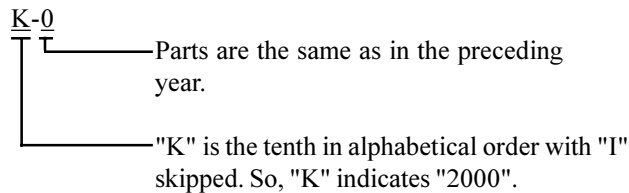
VN = Vinyl Nitrile  
 EPDM = EP rubber  
 NBR = Nitrile butadiene rubber  
 NR = Natural rubber  
 NP = Neoprene  
 SI.R = Silicone rubber  
 SY.R = Synthetic rubber  
 EPH = Epichlorohydrin

### STEEL

GS = Galvanized steel  
 SS = Stainless steel  
 PS = Plated steel  
 PAS = Primed steel

## AUXILIARY CODE

Ex.1

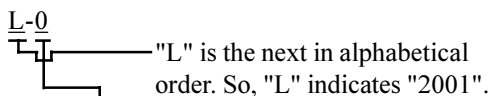


(Note) - = Part deleted.

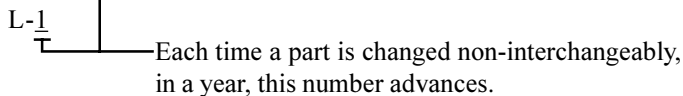
x = Part deleted and replaced by "o" part.

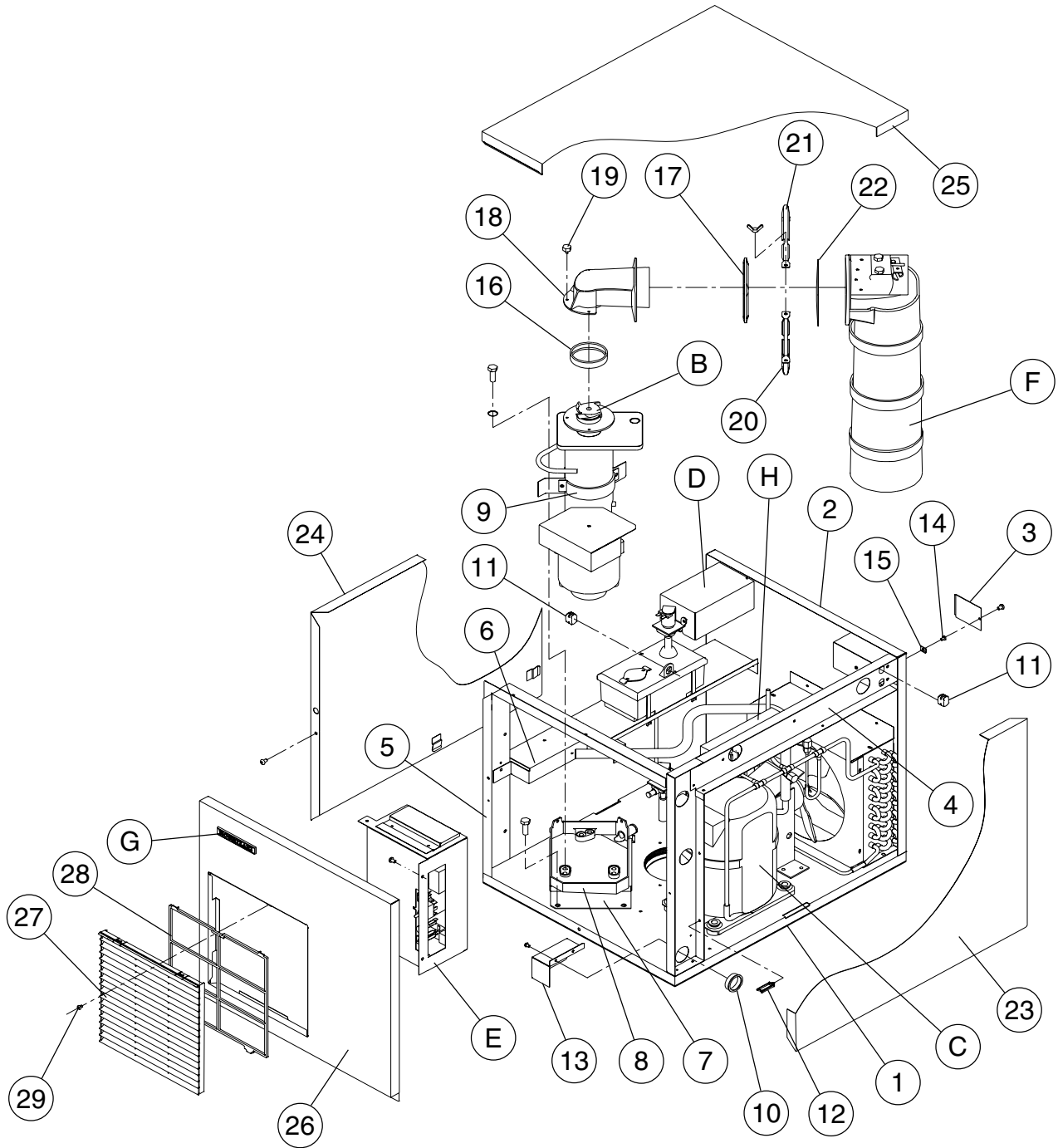
o = New part for "x" in the same auxiliary code.

Ex.2



Ex.3



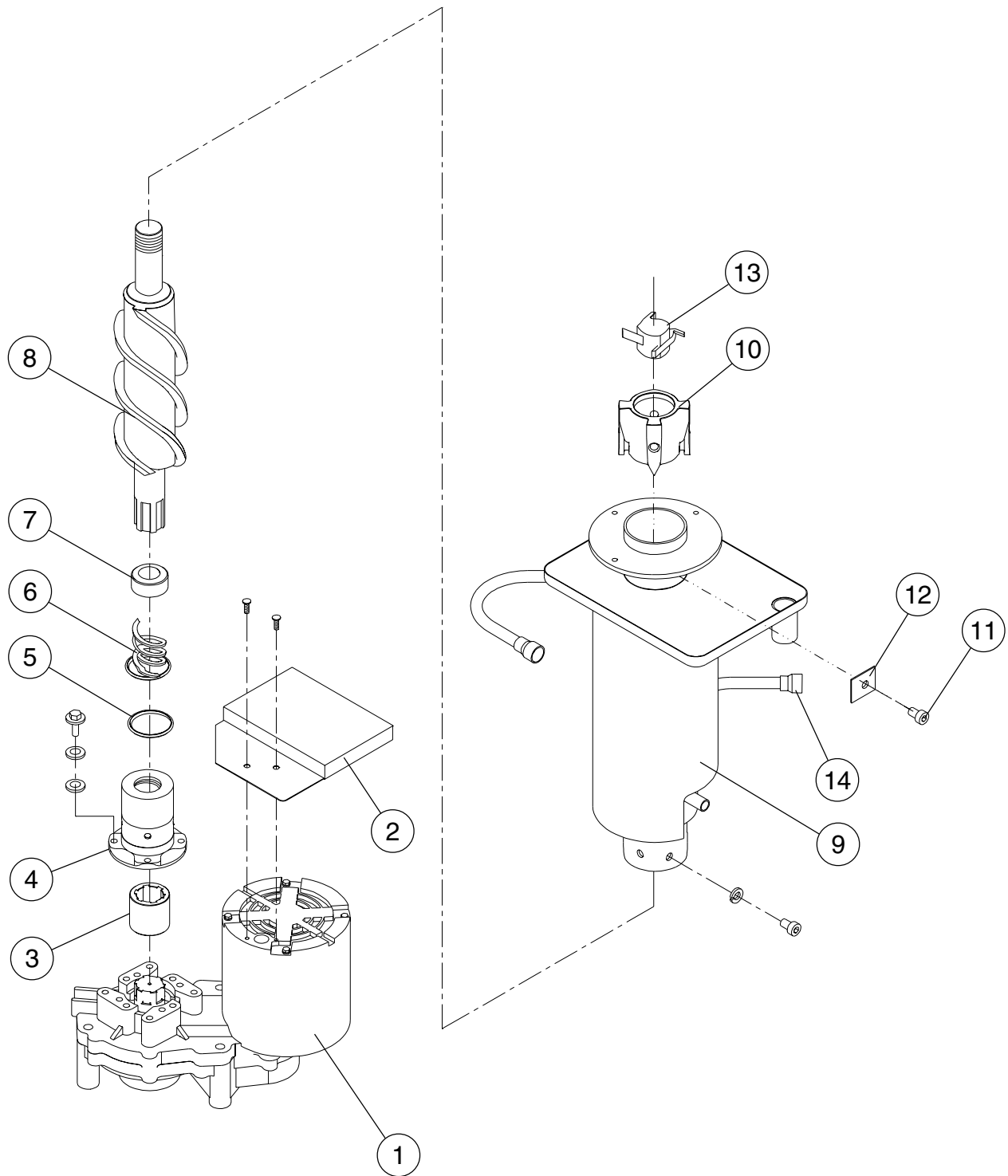




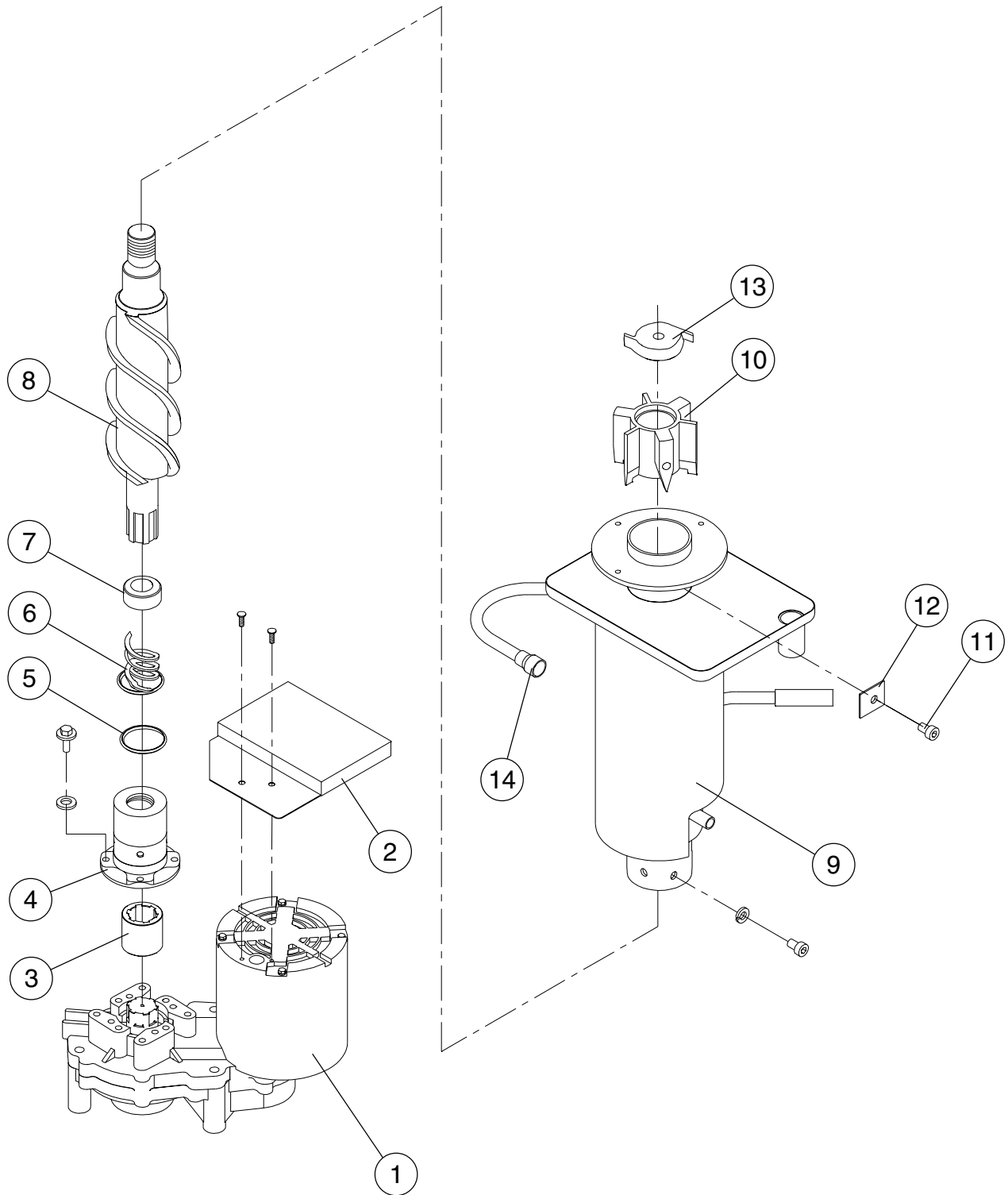


MODEL: F-450MAF/-C TITLE: A. ICE FLAKER ASSEMBLY									
INDEX NO.	DESCRIPTION	MATERIAL OR MODEL NUMBER	PART NUMBER	REQUIRED NUMBER					
				H-0 J-0	K-0	L-0			
1	CHASSIS	GS	2A1178G01	1	1	1			
2	REAR PANEL	GS	2A0916G01	1	1	1			
	TRUSS HEAD SCREW	SS, 4 x 8	7C31-0408	2	2	2			
	T2 SCREW	SS, 4 x 8	7P32-0408	2	2	2			
3	JUNCTION BOX COVER	GS	433410-01	1	1	1			
	T2 SCREW	4 x 8	7P31-0408	1	1	1			
4	SIDE FRAME (R)	GS	2A0917G01	1	1	1			
	TRUSS HEAD SCREW	4 x 8	7C31-0408	4	4	4			
5	FRONT FRAME	GS	2A0918G01	1	1	1			
	TRUSS HEAD SCREW	4 x 8	7C31-0408	4	4	4			
6	BRACKET - RESERVOIR	GS	2A0919G01	1	1	1			
	T2 SCREW	4 x 8	7P31-0408	4	4	4			
7	BRACKET - GEAR MOTOR	GS	3A0396G01	1	1	1			
	HEX BOLT	SS, 8 x 12	7B02-0812	2	2	2			
8	DRAIN PAN	ABS	323765G02	1	1	1			
	SOCKET HEX HEAD BOLT	SS, 8 x 95	7S12-0895	3	3	3			
	SPRING WASHER	SS, 8	7L22-0800	3	3	3			
9	STRAP	GS	4A1262-01	1	1	1			
	T3 SCREW	5 x 12	7G31-0512	2	2	2			
10	BUSHING	SB-1500-21	420470-06	4	4	4			
11	BUSHING	SB-1500-21	420472-03	2	2	2			
12	WIRE SADDLE	LWS-4NS	4A0338-04	9	9	9			
13	BARRIER	GS	4A0688-01	1	1	1			
	FT SCREW	SS, 4 x 8	7F32-0408	2	2	2			
14	SCREW - GROUNDING	BRASS	433304-02	1	1	1			
15	SQUARE WASHER	BRASS	433537-02	1	1	1			
16	PACKING	EPDM	427151-01	1	1	1			
17	PACKING – SPOUT	EPDM	321037-01	1	1	1			
18	SPOUT	PC	2A0915-01	1	1	1			
19	THUMBSCREW	SS, ABS	415949G04	3	3	3			

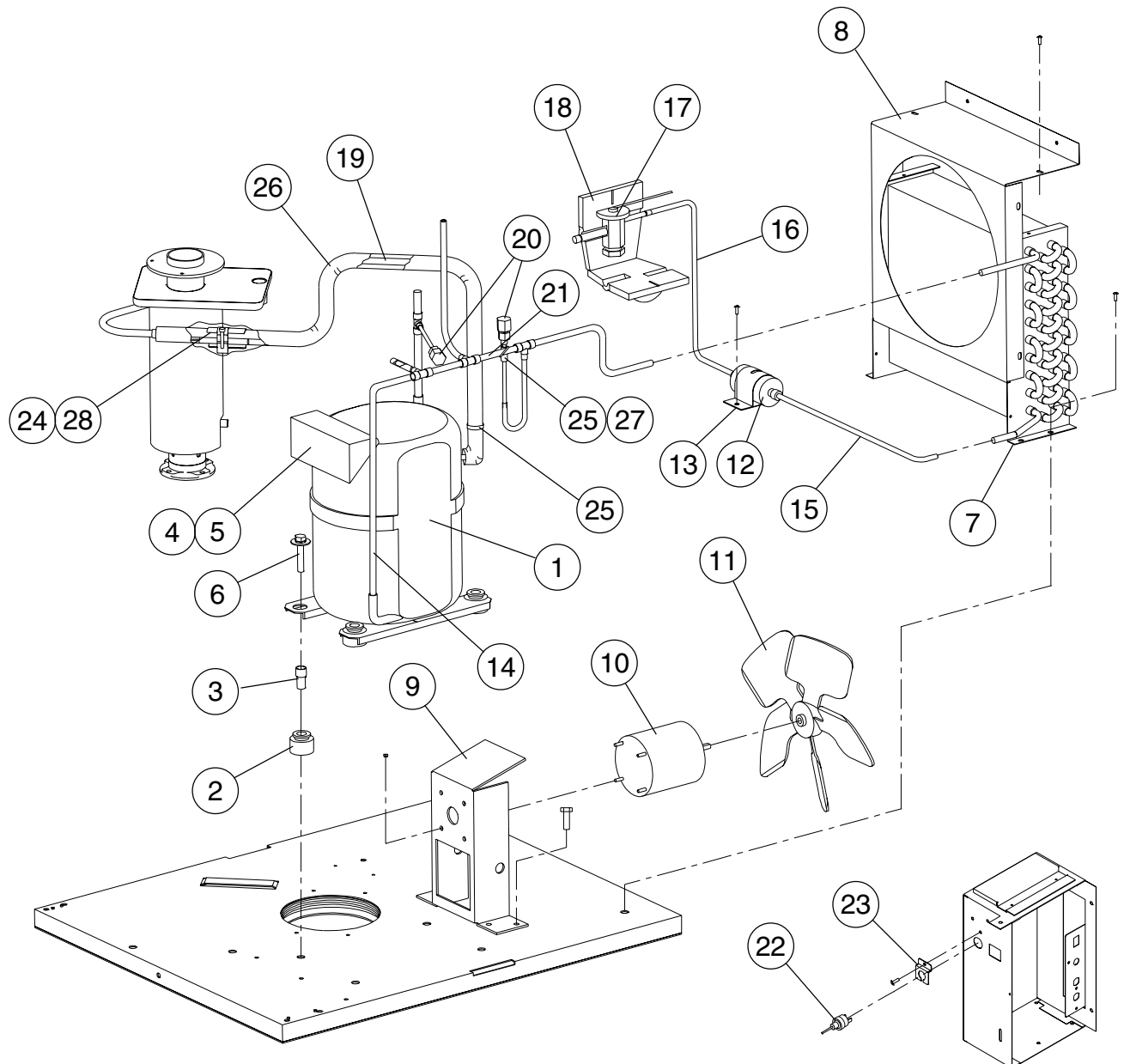




MODEL: F-450MAF TITLE: B. ICE MAKING UNIT										
INDEX NO.	DESCRIPTION	MATERIAL OR MODEL NUMBER	PART NUMBER	REQUIRED NUMBER						
				H-0 J-0	K-0	L-0				
1	GEAR MOTOR	V06695AEAA	4A0897-02	1	1	x1				
		-	4A2193-01			o1				
2	BARRIER - GEAR MOTOR	GS	3A1037-01	1	1	1				
	FT SCREW	SS, 4 x 8	7F32-0408	2	2	2				
3	COUPLING – SPLINE	SS	418316-01	1	1	1				
4	HOUSING	BRASS	206013G03	1	1	1				
	HEX BOLT	GOLD STAINLESS, 6 x 20	7B02-0620	4	4	-				
	BOLT	-	458660-01			4				
	PLAIN WASHER	SS, Ø6.4 x Ø12.5 x t 1.6	7W22-0616	4	4	-				
	SPRING WASHER	SS, 6	7L22-0600	4	4	-				
5	“O” RING	G40	7616-G040	1	1	1				
6	MECHANICAL SEAL	HK9A-MS φ22	432491-01	1	1	1				
7	RING (B)	NTKU-4	432494-01	1	1	1				
8	AUGER	SS	341448G01	1	1	1				
9	EVAPORATOR	-	340076G01	1	x1					
		-	2A1699G01		o1	1				
	SOCKET HEAD CAP SCREW	SS, 6 x 10	7S12-0610	4	4	4				
	SPLIT LOCK WASHER	SS, 6	7L22-0800	4	4	4				
10	EXTRUDING HEAD – 45F	SS	340077G01	1	1	1				
11	SOCKET HEAD CAP SCREW	SS, 8 x 14	429121-01	3	3	3				
12	WASHER	SS	453791-01	3	3	3				
13	CUTTER	SS	453790-01	1	1	1				
14	REDUCER	COPPER	420915-06	1	1	1				

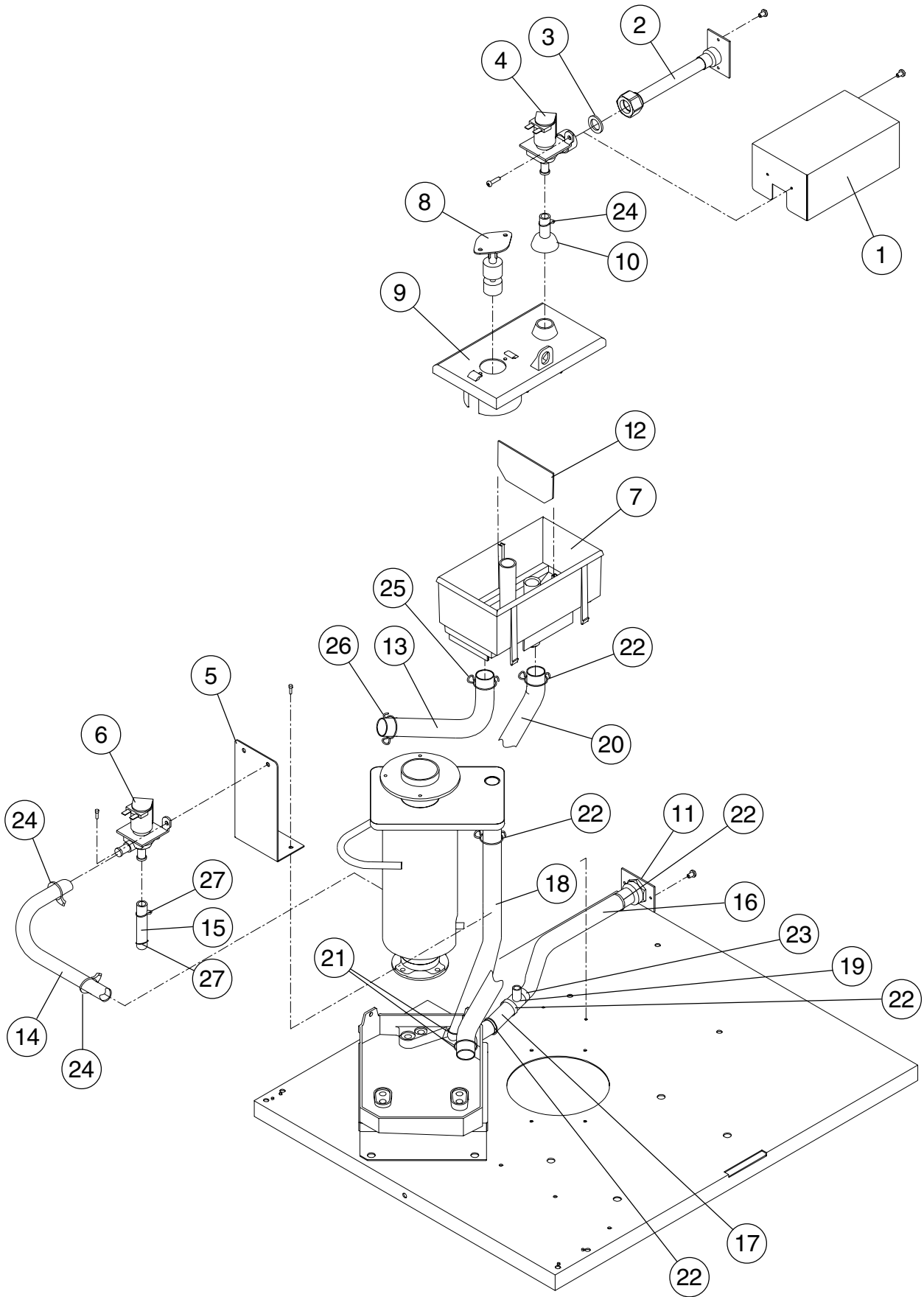


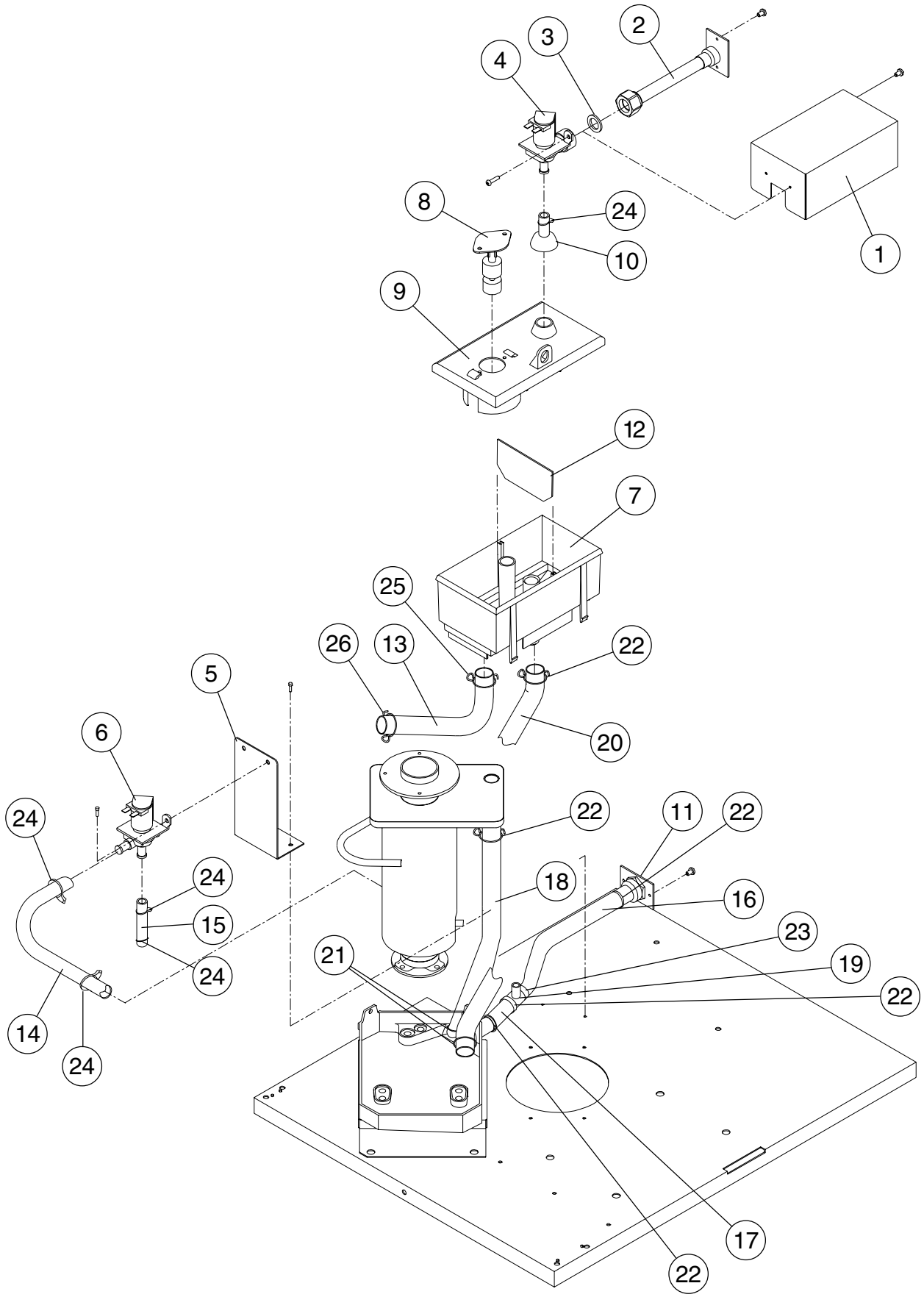
MODEL: F-450MAF-C TITLE: B. ICE MAKING UNIT										
INDEX NO.	DESCRIPTION	MATERIAL OR MODEL NUMBER	PART NUMBER	REQUIRED NUMBER						
				H-0 J-0	K-0	L-0				
1	GEAR MOTOR	V06695AEAA	4A0897-02	1	1	x1				
		-	4A2193-01			o1				
2	BARRIER - GEAR MOTOR	GS	3A1037-01	1	1	1				
	FT SCREW	SS, 4 x 8	7F32-0408	2	2	2				
3	COUPLING – SPLINE	SS	418316-01	1	1	1				
4	HOUSING	BRASS	206013G03	1	1	1				
	HEX BOLT	GOLD STAINLESS, 6 x 20	7B02-0620	4	4	-				
	BOLT	-	458660-01			4				
	PLAIN WASHER	SS, Ø6.4 x Ø12.5 x t 1.6	7W22-0616	4	4	-				
	SPRING WASHER	SS, 6	7L22-0600	4	4	-				
5	“O” RING	G40	7616-G040	1	1	1				
6	MECHANICAL SEAL	HK9A-MS	432491-01	1	1	1				
7	RING (B)	NTKU-4	432494-01	1	1	1				
8	AUGER	SS	341448G01	1	1	1				
9	EVAPORATOR	-	340076G01	1	x1					
		-	2A1699G01		o1	1				
	SOCKET HEAD CAP SCREW	SS, 6 x 10	7S12-0610	4	4	4				
	SPLIT LOCK WASHER	SS, 6	7L22-0800	4	4	4				
10	EXTRUDING HEAD – 45N	SS	327141G01	1	1	1				
11	SOCKET HEAD CAP SCREW	SS, 8 x 14	429121-01	3	3	3				
12	WASHER	SS	453791-01	3	3	3				
13	CUTTER	SS	440905-01	1	1	1				
14	REDUCER	COPPER	420915-06	1	1	1				



MODEL: F-450MAF/-C TITLE: C. REFRIGERATION UNIT										
INDEX NO.	DESCRIPTION	MATERIAL OR MODEL NUMBER	PART NUMBER	REQUIRED NUMBER						
				H-0 J-0	K-0	L-0				
1	COMPRESSOR	-	4A1272-01	1	1	x1				
		-	4A2300-01			o1				
2	GROMMET	027-0073-00	434403-01	4	4	4				
3	SPACER	027-0072-02	434404-01	4	4	4				
4	PROTECTOR	071-0527-04	4A1805-01	1	1	1				
5	PROTECTOR HOLDER	-	437339-01	1	1	1				
6	BOLT	8 x 45	437889-01	4	4	4				
7	CONDENSER	602380	2A0923-01	1	1	1				
	FT SCREW	SS, 4 x 8	7F32-0408	3	3	3				
8	SHROUD	GS	2A0908-01	1	1	1				
	T2 SCREW	4 x 8	7P31-0408	6	6	6				
9	FAN MOTOR BRACKET	GS	3A0828-01	1	1	1				
	HEX HEAD BOLT W/WASHER	SS, 5 x 12	7B0230512	4	4	4				
10	FAN MOTOR	U90 B1 7191-1031	440911-01	1	1	1				
	SELF-LOCKING NUT	No. 8-32	7N2110832	4	4	4				
11	FAN BLADE	AD10CW32	444898-01	1	1	1				
12	DRIER	A-TCH-032S	4A1113-01	1	1	1				
13	DRIER BRACKET	GS	445847-01	1	1	1				
	FT SCREW	SS, 4 x 8	7F32-0408	1	1	1				
14	COPPER TUBE (A) – HIGH SIDE	COPPER	2A0927G01	1	1	1				
15	COPPER TUBE (B) – HIGH SIDE	COPPER	4A1289-01	1	1	1				
16	COPPER TUBE (C) – HIGH SIDE	COPPER	3A0847-01	1	1	1				
17	EXPANSION VALVE	AN15C	4A1117-01	1	1	1				
18	EXPANSION VALVE COVER	PE FOAM	4A1168-01	1	1	1				

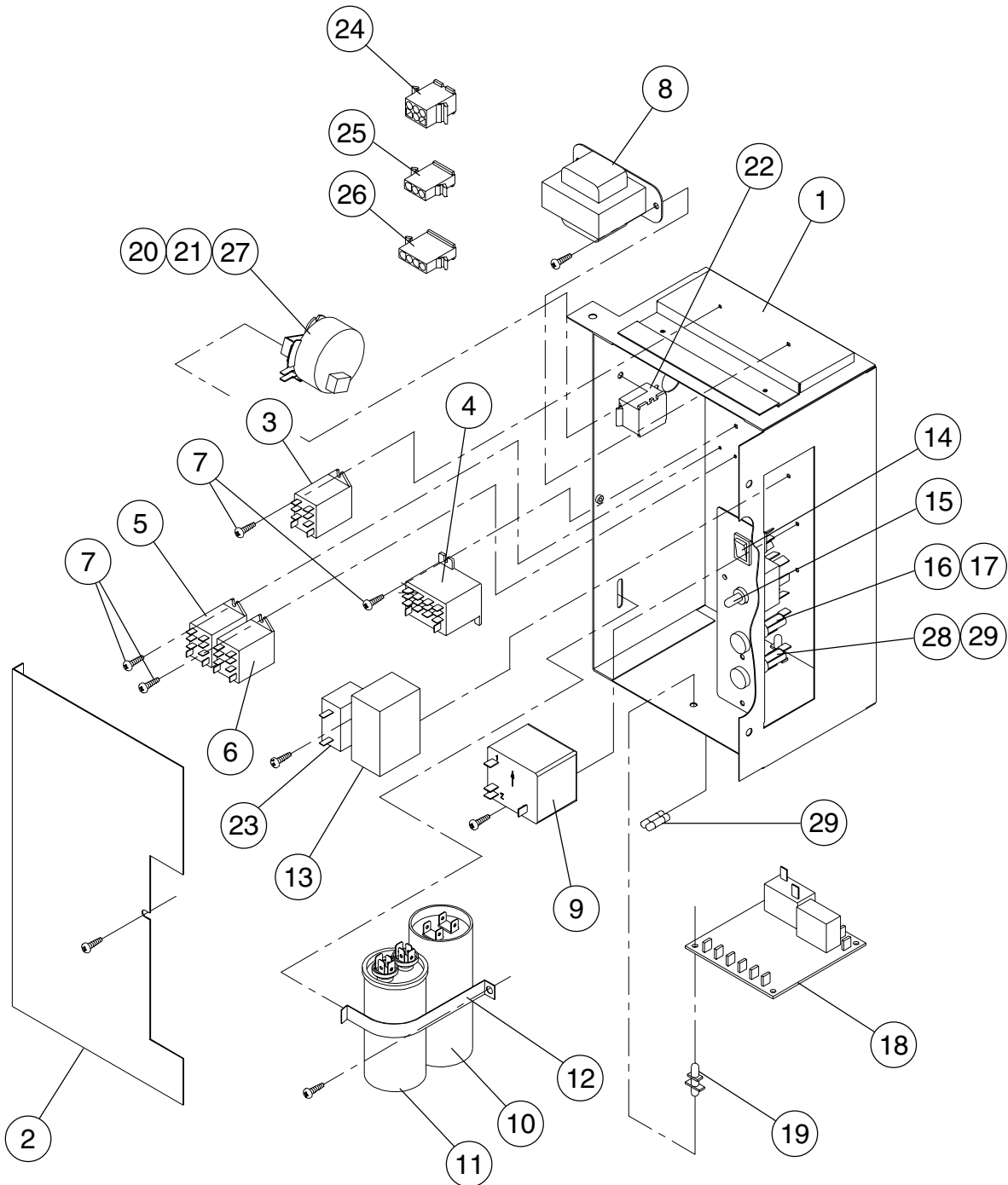






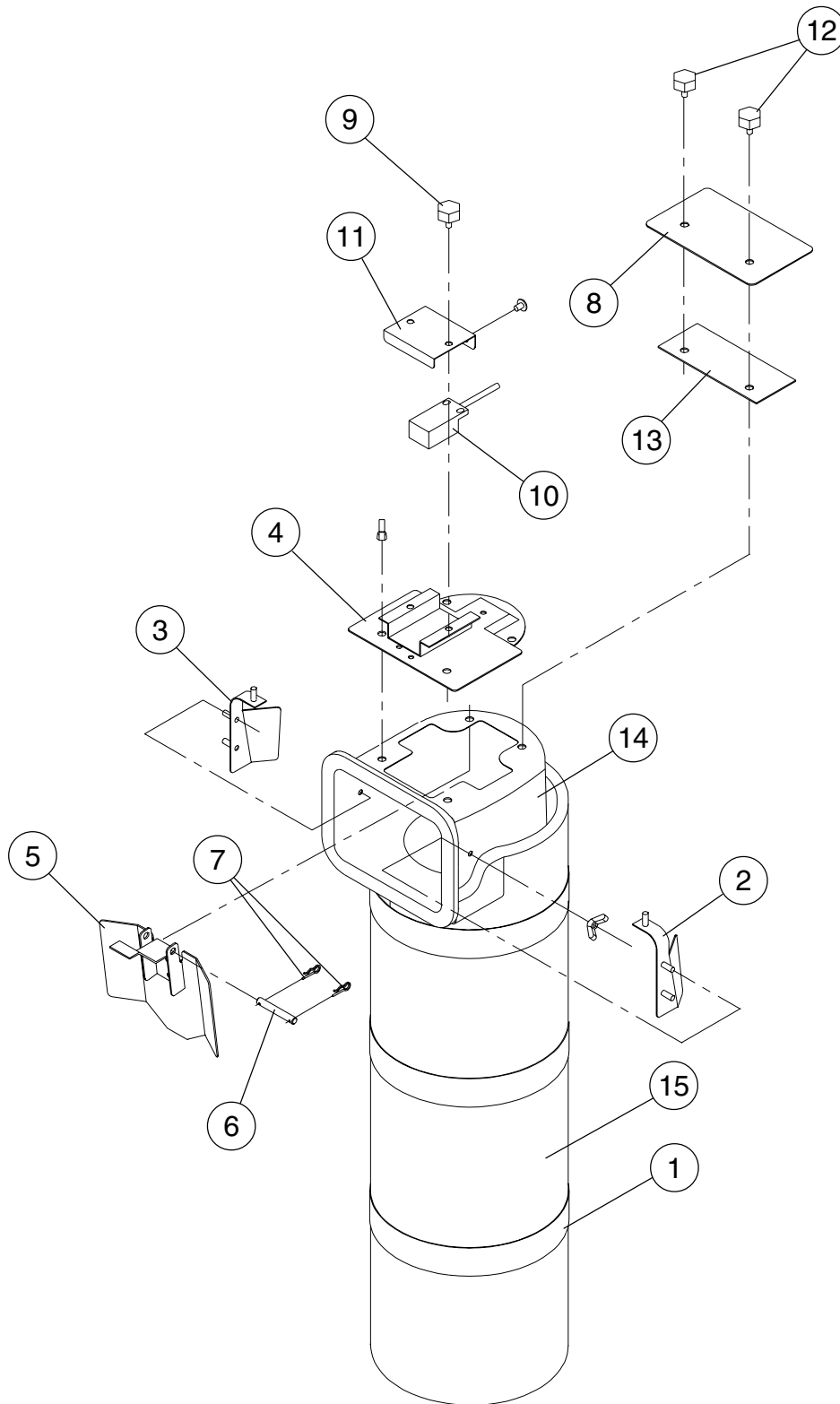
MODEL: F-450MAF/-C TITLE: D. WATER CIRCUIT										
INDEX NO.	DESCRIPTION	MATERIAL OR MODEL NUMBER	PART NUMBER	REQUIRED NUMBER						
				H-0 J-0	K-0	L-0				
1	WATER VALVE BRACKET	GS	3A0553-01	1	1	1				
	T2 SCREW	4 x 8	7P31-0408	3	3	3				
2	WATER SUPPLY PIPE	COPPER	4A0891G01	1	1	1				
	T2 SCREW	4 x 8	7P31-0408	4	4	4				
3	WASHER	K-59963	4A0867-01	1	1	1				
4	WATER VALVE	S-30	4A0865-01	1	1	1				
5	DRAIN VALVE BRACKET	GS	4A1264-01	1	1	1				
	FT SCREW	SS, 4 x 8	7F32-0408	2	2	2				
6	WATER VALVE	S-60N	4A0866-01	1	x1					
		-	4A2077-01		o1	1				
	T2 SCREW	SS, 4 x 8	7P32-0408	4	4	4				
7	RESERVOIR	PP	2A0753-01	1	1	1				
8	FLOAT SWITCH	TW-1221-101	435490-01	1	1	1				
9	RESERVOIR COVER	PP	214810-01	1	1	1				
10	INLET-RESERVOIR	SI.R.	4A0869-01	1	1	1				
11	FITTING	COPPER	4A0776G01	1	1	1				
12	SEPARATOR – RESERVOIR	ABS	4A1255-01	1	1	1				
13	RESERVOIR HOSE	EPDM	4A1165-05	1	1	1				
14	VINYL HOSE	L=230	7730-0912	1	1	x1				
	SILICONE HOSE	L=230	7730I3896			o1				
15	VINYL HOSE	L=65	7730-1114	1	1	x1				
		L=65	7716-0913			o1				
16	VINYL HOSE	L=270	7716-2025	1	1	1				
17	VINYL HOSE	L=80	7716-2025	1	1	1				
18	VINYL HOSE	L=355	7725-1923	1	1	1				
19	TEE	PVC	4A1331-01	1	1	1				
20	SILICONE HOSE	L=340	7730-1822	1	1	1				
21	CABLE TIE	CV-150	7920-0003	2	2	2				

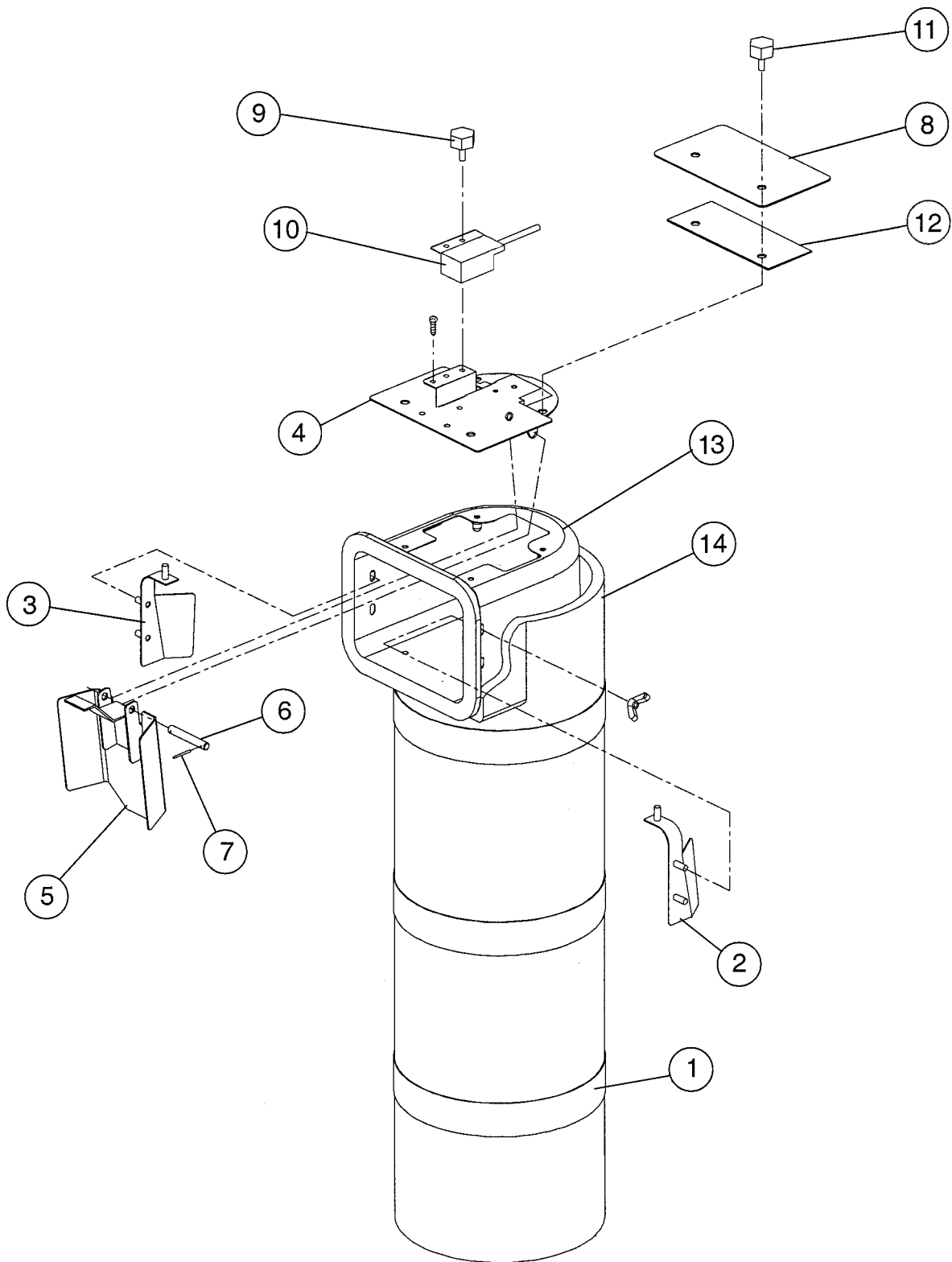




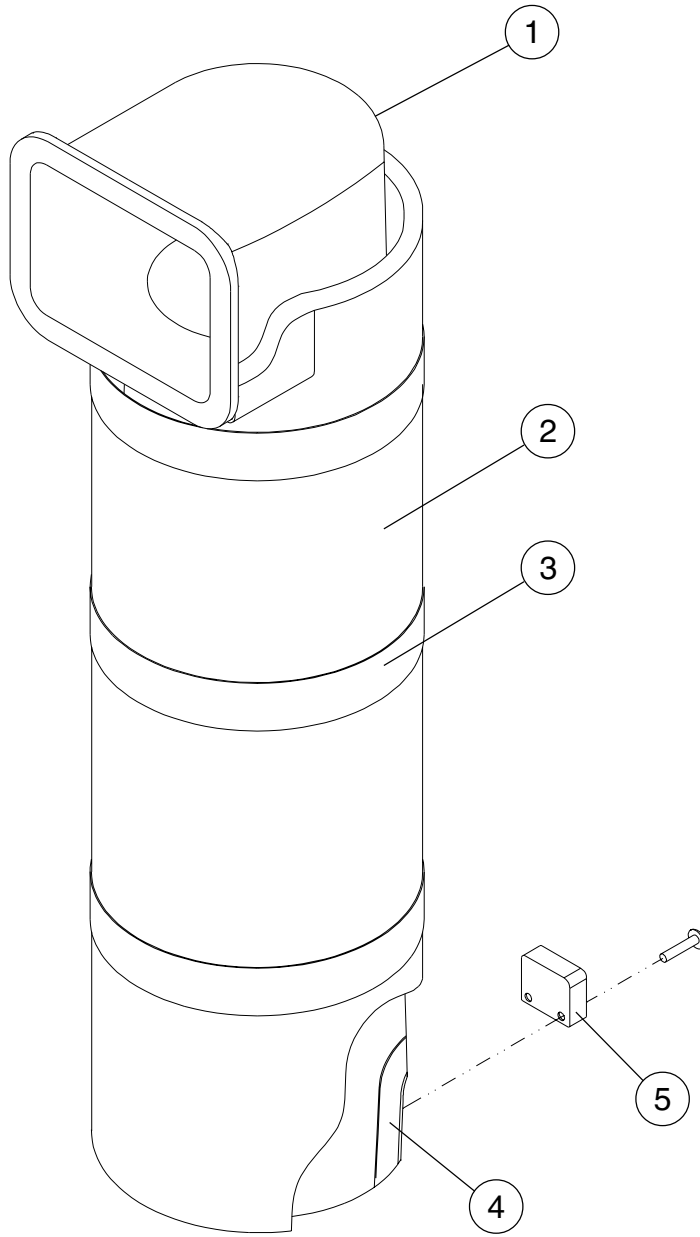
MODEL: F-450MAF/-C TITLE: E. CONTROL BOX ASSEMBLY										
INDEX NO.	DESCRIPTION	MATERIAL OR MODEL NUMBER	PART NUMBER	REQUIRED NUMBER						
				H-0 J-0	K-0	L-0				
1	CONTROL BOX	GS	2A0229G04	1	1	1				
	FT SCREW	SS, 4 x 8	7F32-0408	3	3	3				
2	COVER - CONTROL BOX	GS	3A0411-01	1	1	1				
	TRUSS HEAD SCREW	SS, 4 x 8	7C32-0408	2	2	2				
3	RELAY	LY2F AC24V	406132-03	1	1	1				
4	RELAY	LY4F AC24V	406133-04	1	1	1				
5	RELAY	LY1F AC220/240V	418271-05	1	1	1				
6	RELAY	LY1F AC120V	418271-03	1	1	1				
7	TAPPING SCREW	3 x 8	431415-01	8	8	8				
8	TRANSFORMER	BE141625GEK	4A0557-01	1	1	1				
	T2 SCREW	4 x 8	7P31-0408	2	2	2				
9	STARTER	3ARR3CT5M5	434172-04	1	1	x1				
		-	4A1107-11			o1				
	T2 SCREW	4 x 8	7P31-0408	1	1	1				
10	CAPACITOR - STARTING	3535 B7 C0243 A115A4	3A0076-10	1	1	1				
11	CAPACITOR	X386S (HG01)	439943-04	1	1	1				
12	STRAP	GS	434580-10	1	1	1				
	T2 SCREW	4 x 8	7P31-0408	1	1	1				
13	CAPACITOR	UP33B126 UWF	4A0894-01	1	1	1				
	T2 SCREW	4 x 8	7P31-0408	1	1	1				
14	ROCKER SWITCH	62111929-0-0-N	4A0558-01	1	1	1				
15	TOGGLE SWITCH	-	4A0567-01	1	1	x1				
		-	4A2332-01			o1				
16	FUSE HOLDER	HTB921	4A0892-01	1	1	1				
17	FUSE	AGC-1 1A 250V	4A0893-01	1	1	1				
18	TIMER BOARD	H2AA144C01	437305-01	1	1	1				
19	BOARD SUPPORT	CBL5 37 - M	4A0336-03	4	4	4				



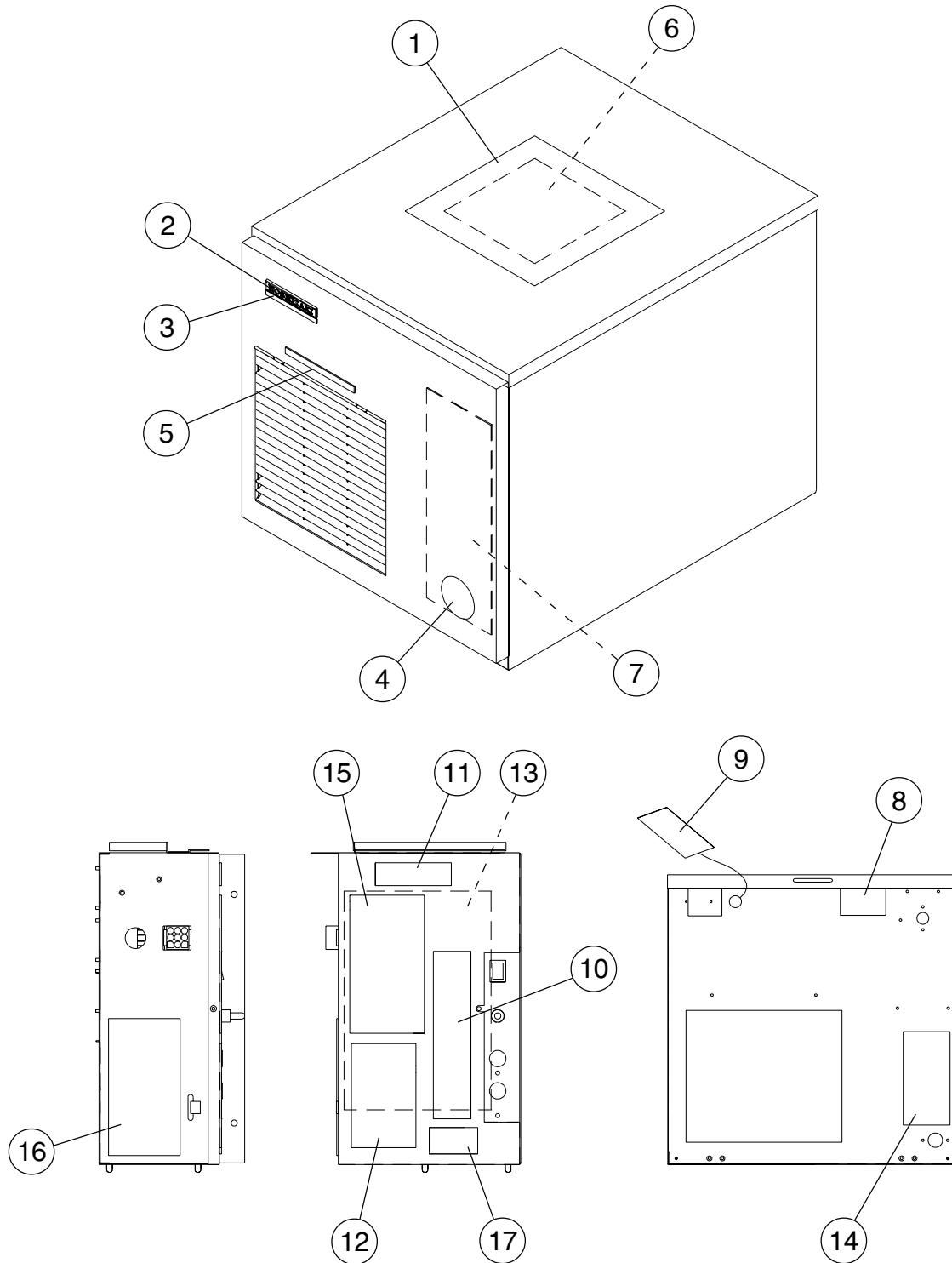




MODEL: F-450MAF TITLE: F. CHUTE ASSEMBLY										
INDEX NO.	DESCRIPTION	MATERIAL OR MODEL NUMBER	PART NUMBER	REQUIRED NUMBER						
				H-0 J-0	K-0	L-0				
1	TIE	PA	436531G01	3	3	3				
2	BAFFLE-CHUTE (A)	SS	3A0400G01	1	1	1				
	WING NUT	SS, 4	7E12-0400	6	6	6				
3	BAFFLE-CHUTE (B)	SS	3A0399G01	1	1	1				
4	BIN CONTROL	SS	338043G02	1	-					
		SS	3A1535G01		1	x1				
	BIN CONTROL ASSEMBLY	SS	3A1744G01			o1				
5	ACTUATOR	SS	436848G01	1	1	1				
6	SHAFT	SS	436851-01	1	1	1				
7	SNAP PIN	SS, SSP-5	715S-0005	2	2	2				
8	PLATE	SS	438336-01	1	-					
		SS	4A2039-01		1	1				
9	THUMB SCREW	ABS, SS	415949G04	2	2	2				
10	PROXIMITY SWITCH	RS-601	427223-01	1	-					
		-	4A2033-01		1	1				
11	COVER-SWITCH	SS	451870-01	1	-					
	TRUSS HEAD SCREW	SS, 4X8	7C32-0408	1	1	1				
12	THUMB SCREW	ABS, SS	415949G09	2	2	2				
13	PACKING	EPDM	441217-01	1	1	1				
14	CHUTE	PE	2A1308-01	1	1	1				
15	INSULATION CHUTE	PE FOAM	2A0989-01	1	1	1				







MODEL: F-450MAF TITLE: G. LABEL LOCATION											
INDEX NO.	DESCRIPTION	MATERIAL OR MODEL NUMBER	PART NUMBER	REQUIRED NUMBER							
				H-0 J-0	K-0	L-0					
1	INSTRUCTION SHEET	PAPER	2A1054-01	1	1	1					
2	EMBLEM	PETP FILM	4A0560-01	1	1	1					
3	MODEL NUMBER LABEL	PETP FILM	4A1321-01	1	1	1					
4	LABEL - PENGUIN - HA - L	PETP FILM	4A0526-02	1	1	1					
5	LABEL - AIR FILTER	PETP FILM	426177-01	1	1	1					
6	INSTRUCTION LABEL	PVC FILM	326371-01	1	1	1					
7	LABEL - CLEANING	PVC FILM	326370-01	1	1	1					
8	NAMEPLATE	PES FILM	4A1323-01	1	1	1					
9	TAG - WARNING: ELECTRICAL CONNECTION	PAPER	435005-01	1	1	1					
10	CONTROL LABEL	PVC FILM	4A1613-01	1	1	1					
11	LABEL - R404A	PES FILM	4A0960-01	1	1	1					
12	CAUTION LABEL (E)	PVC FILM	439145-01	1	1	1					
13	WIRING LABEL	PVC FILM	2A1830-01	1	1	1					
14	INSTRUCTION SHEET	PAPER	433523-01	1	1	1					
15	CAUTION LABEL (H)	PVC FILM	439148-01	1	1	1					
16	RATING LABEL	PES FILM	4A1669-01	1	1	1					
17	LABEL (GM) – FUSE	PVC FILM	4A1614-01	1	1	1					

MODEL: F-450MAF-C TITLE: G. LABEL LOCATION										
INDEX NO.	DESCRIPTION	MATERIAL OR MODEL NUMBER	PART NUMBER	REQUIRED NUMBER						
				H-0 J-0	K-0	L-0				
1	INSTRUCTION SHEET	PAPER	2A1054-01	1	1	1				
2	EMBLEM	PETP FILM	4A0560-01	1	1	1				
3	MODEL NUMBER LABEL	PETP FILM	4A1321-02	1	1	1				
4	LABEL - PENGUIN - HA - L	PETP FILM	4A0526-02	1	1	1				
5	LABEL - AIR FILTER	PETP FILM	426177-01	1	1	1				
6	INSTRUCTION LABEL	PVC FILM	326371-01	1	1	1				
7	LABEL - CLEANING	PVC FILM	326370-01	1	1	1				
8	NAMEPLATE	PES FILM	4A1499-01	1	1	1				
9	TAG - WARNING: ELECTRICAL CONNECTION	PAPER	435005-01	1	1	1				
10	CONTROL LABEL	PVC FILM	4A1613-01	1	1	1				
11	LABEL - R404A	PES FILM	4A0960-01	1	1	1				
12	CAUTION LABEL (E)	PVC FILM	439145-01	1	1	1				
13	WIRING LABEL	PVC FILM	2A1396-01	1	1	1				
14	INSTRUCTION SHEET	PAPER	433523-01	1	1	1				
15	CAUTION LABEL (H)	PVC FILM	439148-01	1	1	1				
16	RATING LABEL	PES FILM	4A1670-01	1	1	1				
17	LABEL (GM) -- FUSE	PVC FILM	4A1614-01	1	1	1				

