

NO. 71101

ISSUED: AUG. 31, 1993

REVISED: AUG. 15, 2000



**HOSHIZAKI
MODULAR FLAKER**

MODEL

F-1000MAE(-C)

F-1000MWE(-C)

F-1000MRE(-C)

(FINAL) PARTS LIST

F-1000MAE
D-1 Sept., 1993
D-2 Oct., 1994
E-0 Jan., 1995
E-1 May, 1995
F-0 Dec., 1995
F-1 July, 1996
G-0 Jan., 1997
G-1 April, 1997
G-2 June, 1997
H-2 Dec., 1997

F-1000MAE-C
E-0 Feb., 1995
E-1 May, 1995
F-0 Dec., 1995
F-1 July, 1996
F-2 Aug., 1996
G-0 Dec., 1996
G-1 June, 1997
H-2 Jan., 1998
J-0 Dec., 1998

F-1000MWE
D-1 Sept., 1993
D-2 Oct., 1994
E-0 Feb., 1995
E-1 April, 1995
F-0 Jan., 1996
F-1 July, 1996
G-0 Feb., 1997
G-1 April, 1997
H-2 Jan., 1998

F-1000MWE-C
E-1 March, 1995
F-0 Dec., 1995
F-1 July, 1996
G-0 Feb., 1997
G-1 June, 1997

F-1000MRE
D-1 Sept., 1993
D-2 Sept., 1994
E-1 May, 1995
F-0 Dec., 1995
F-1 June, 1996
G-0 Feb., 1997
G-1 April, 1997
H-2 Dec., 1997

F-1000MRE-C
E-1 May, 1995
F-0 April, 1996
F-1 June, 1996
F-2 Oct., 1996
G-0 Jan., 1997
G-1 April, 1997
H-2 Dec., 1997

FASTENER ABBREVIATION LIST

| | |
|-----|---|
| ST | Phillips Truss Machine Screw |
| SP | Phillips Pan Head Machine Screw |
| SF | Phillips Flat Head Machine Screw |
| SS | Phillips Pan Head Machine Screw with Split Lock Washer |
| SW | Phillips Pan Head Machine Screw with Split Lock Washer and Flat Washer |
| T1 | Phillips Truss Head Tapping Screw (Correspond to Type A) |
| T2 | Phillips Truss Head Tapping Screw (Correspond to Type B) |
| T3 | Phillips Truss Head Tapping Screw (Correspond to Type C) |
| FT | Phillips Truss Head Tapping Screw (Special) |
| BH | Hexagon Head Bolt |
| BC | Socket Head Cap Screw |
| BS | Hexagon Bolt with Split Washer |
| BW | Hexagon Bolt with Split Washer and Flat Washer |
| BF | Hexagon Flange Bolt |
| BR | Cross-Recessed Hexagon Head Bolt |
| BRW | Cross-Recessed Hexagon Head Bolt with Split Lock Washer and Flat Washer |
| WL | Split Lock Washer |
| WT | External Tooth Washer |
| WF | Flat Washer |
| WS | Spring Washer |
| NH | Hexagon Nut |
| NF | Hexagon Flange Nut |
| NC | Hexagon Cap Nut |
| NS | Square Nut |
| NW | Wing Nut |

Ex. ST0308S (Phillips Truss Head Machine Screw
3x8, made of stainless steel)

| | | |
|-----------------------|-------|-----------------|
| Material | None: | Plated Steel |
| Length (mm) | S: | Stainless Steel |
| Nominal Diameter (mm) | B: | Brass |
| Form of Head | P: | Plastic |
| Description | | |

(Note) Second character is numerical except toe list.
Ex. S1, S2, B3 etc.

And abbreviations and names are shown under the illustration.

MATERIAL ABBREVIATIONS

ALUMINUM

AL = Aluminum

COPPER

CU = Copper

PLASTIC

ABS = Acrylonitrile -butadiene - styrene
 AC = Polyacetal
 EVA = Ethylene vinyl acetate
 PA = Polyamide = Nylon
 PC = Polycarbonate
 PE = Polyethylene
 PES = Polyester
 PETP = Polyethylene terephthalate = Tetlon
 PP = Polypropylene
 PS = Polystyrene
 PTFE = Polytetrafluoroethylene = Teflon
 PUR = Polyurethane
 PVC = Polyvinyl chloride

RUBBER

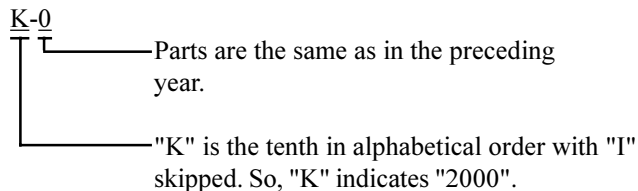
VN = Vinyl Nitrile
 EPDM = EP rubber
 NBR = Nitrile butadiene rubber
 NR = Natural rubber
 NP = Neoprene
 SI.R = Silicone rubber
 SY.R = Synthetic rubber
 EPH = Epichlorohydrin

STEEL

GS = Galvanized steel
 SS = Stainless steel
 PS = Plated steel
 PAS = Primed steel

AUXILIARY CODE

Ex.1

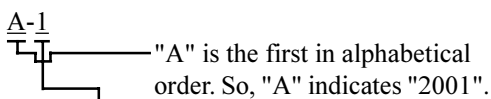


(Note) - = Part deleted.

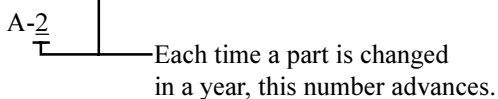
x = Part deleted and replaced by "o" part.

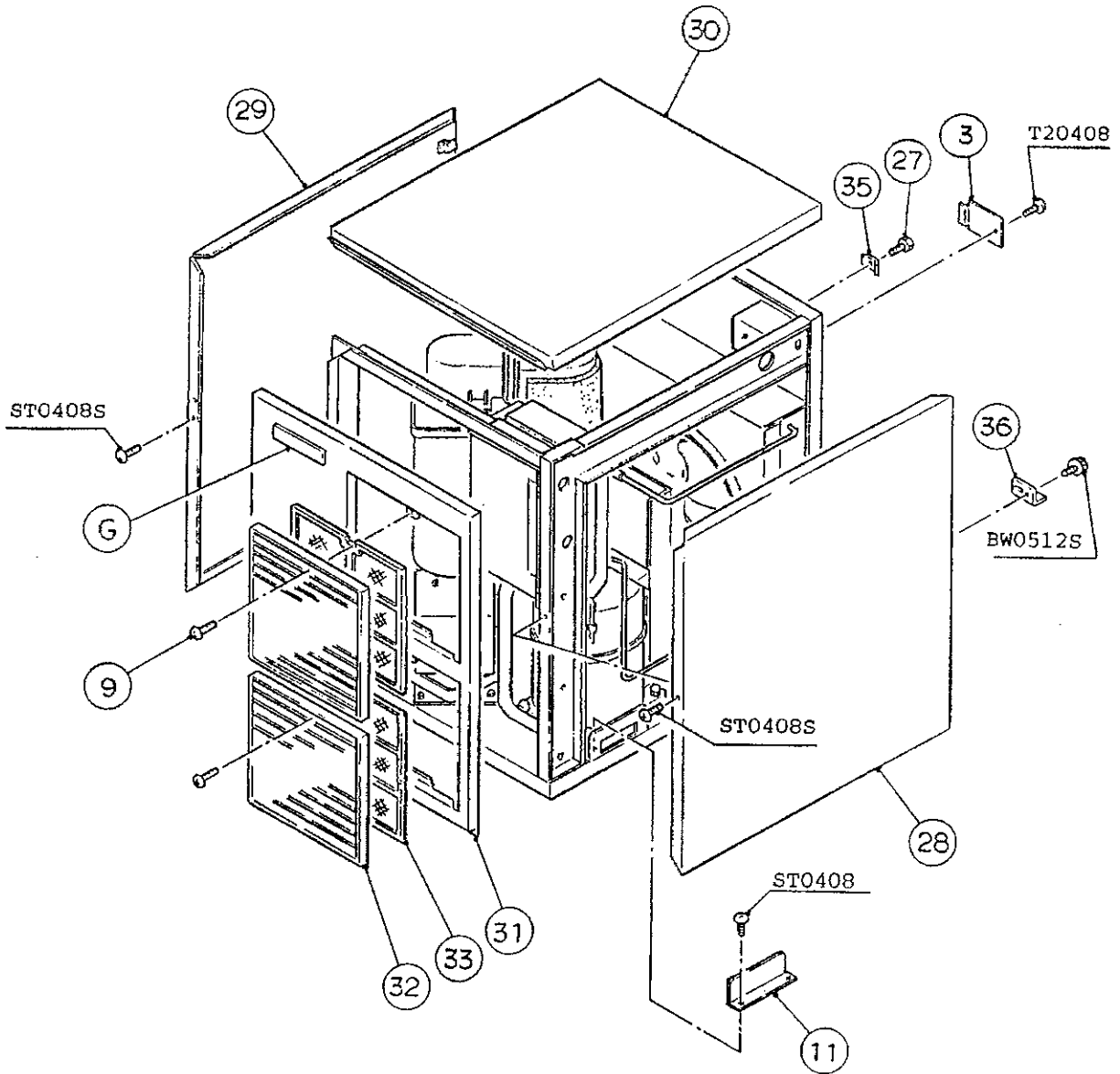
o = New part for "x" in the same auxiliary code.

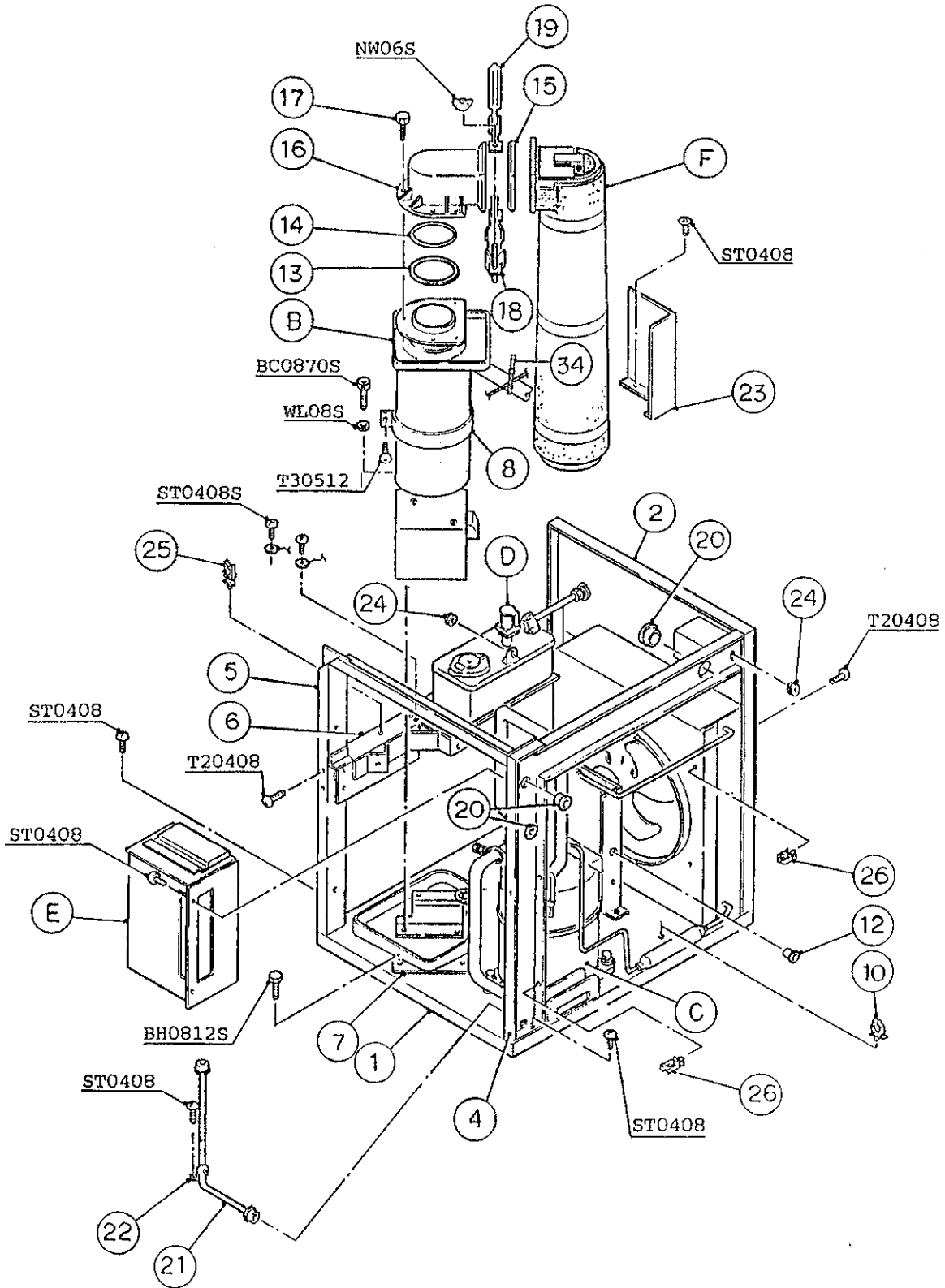
Ex.2

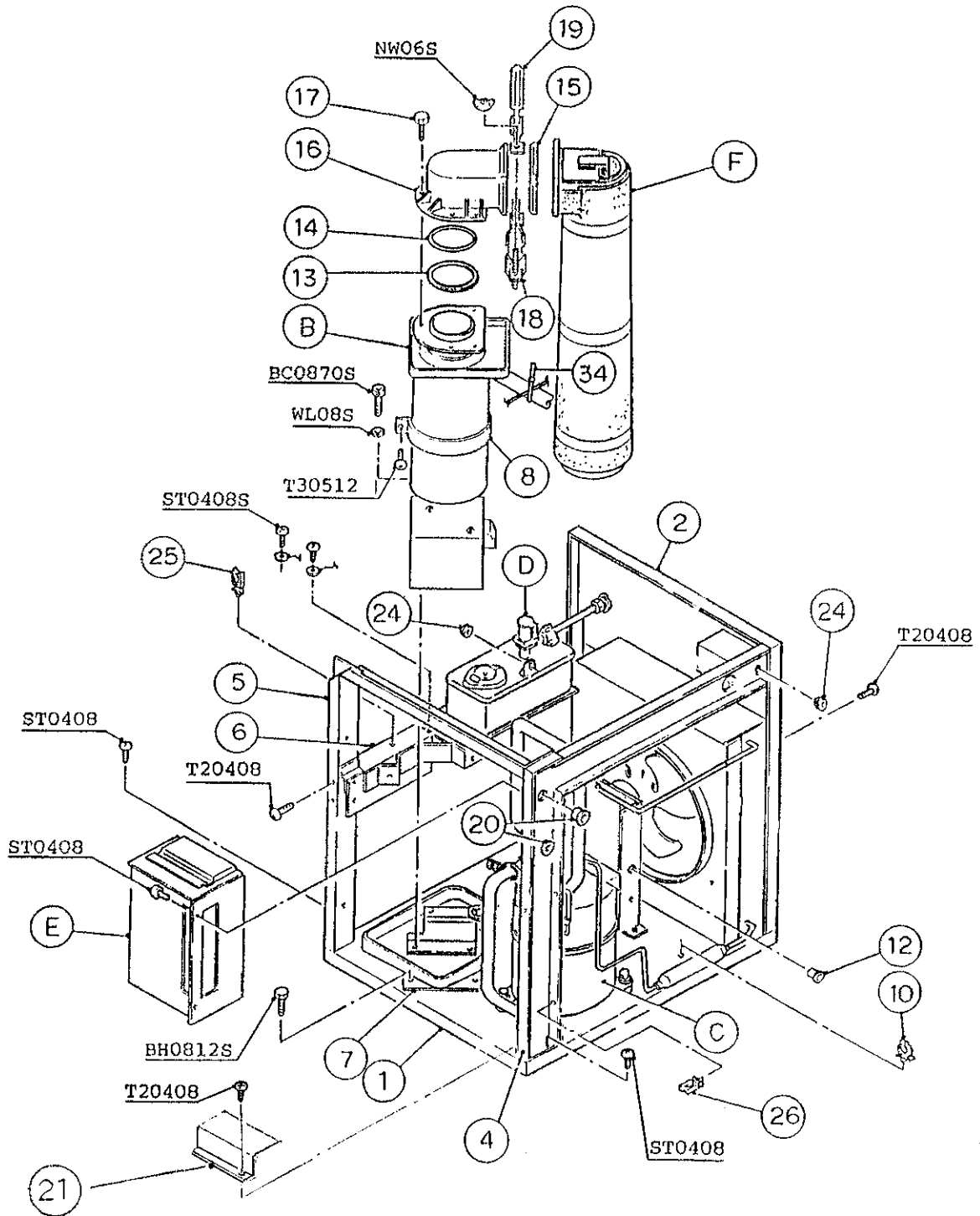


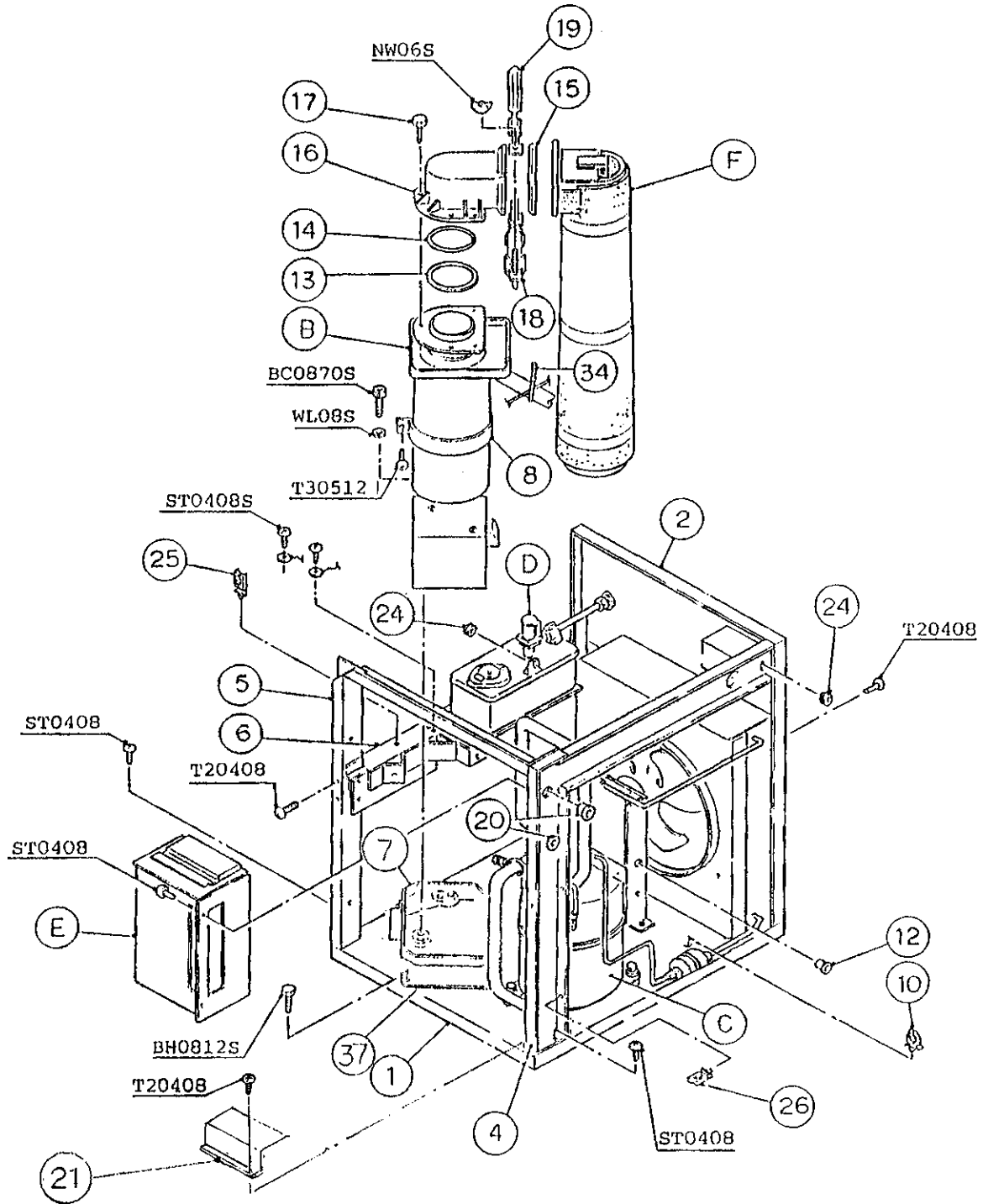
Ex.3

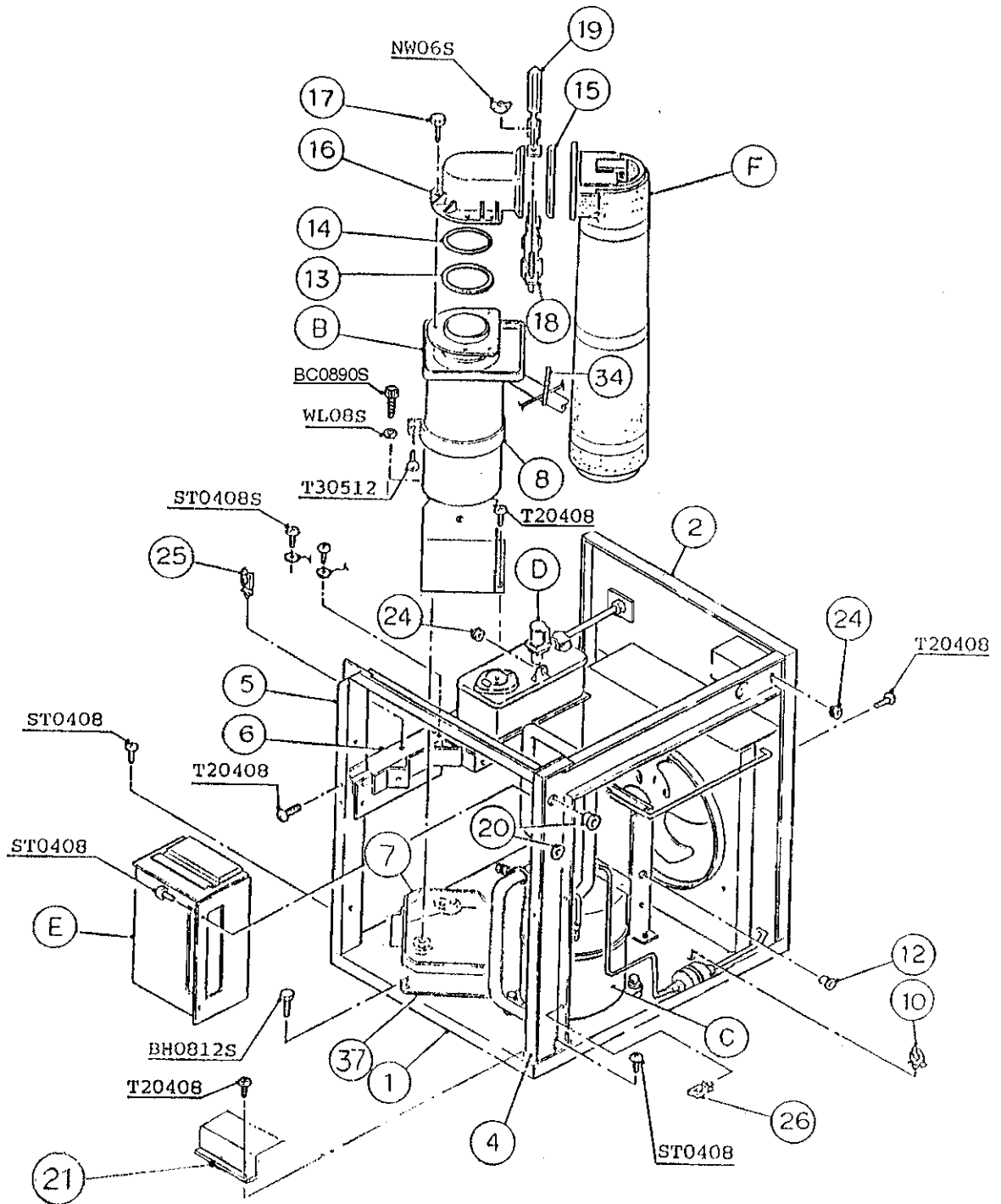












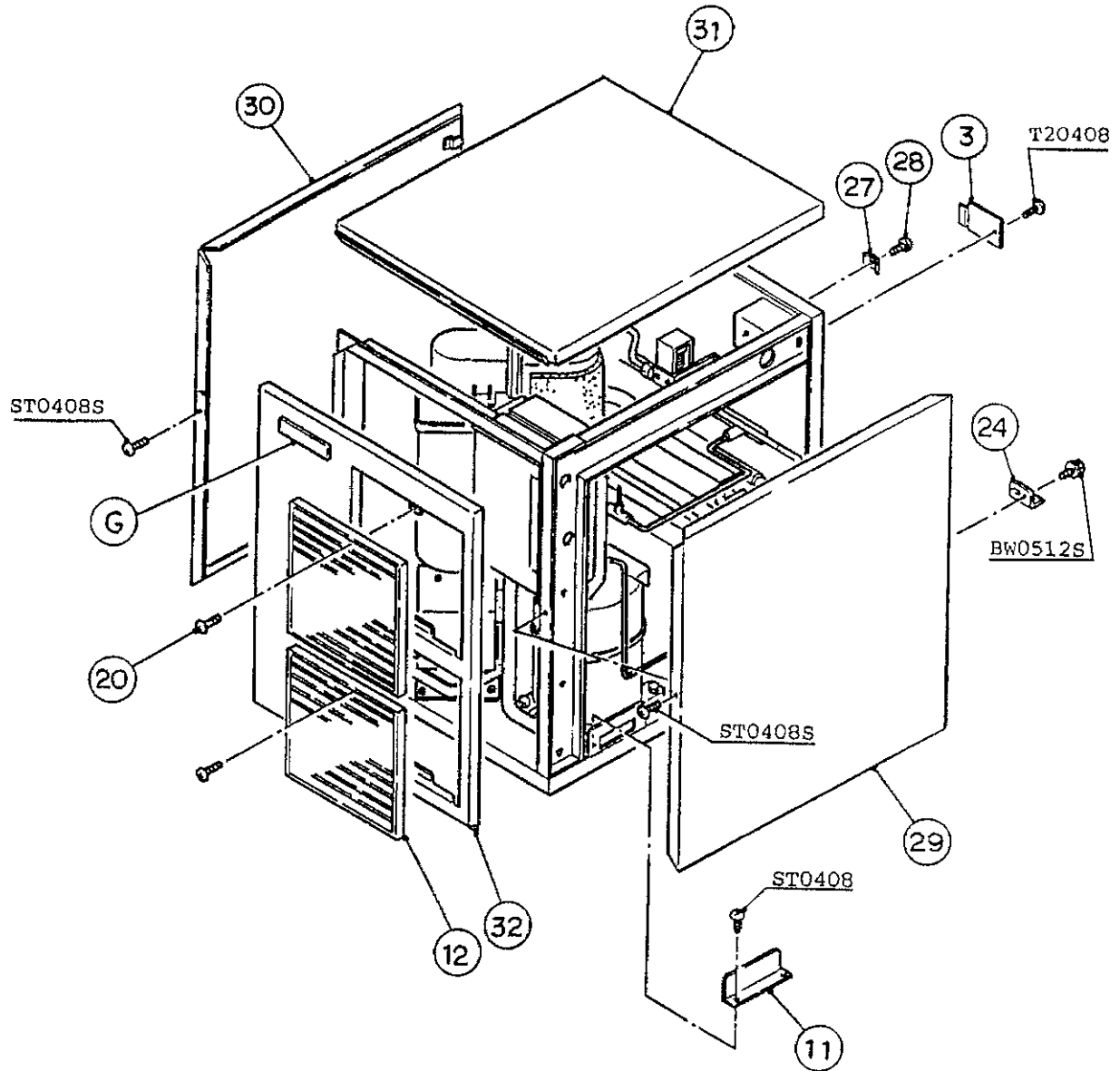
HA

| MODEL: F-100MAE TITLE: A. ICE FLAKER ASSEMBLY | | | | | | | | | | | | | |
|---|------------------------|--------------------------|-------------|------------------------|-------------------------|-----|-----|-----|-----|------------|-----|-----|-----|
| INDEX NO. | DESCRIPTION | MATERIAL OR MODEL NUMBER | PART NUMBER | REQUIRED NUMBER | | | | | | | | | |
| | | | | D10501 through D10535L | D10536M through D11126J | D-2 | E-0 | E-1 | F-0 | F-1 G-0 | G-1 | G-2 | H-2 |
| B | EVAPORATOR ASSEMBLY | - | 321234A03 | 1 | 1 | 1 | 1 | 1 | 1 | - | | | |
| | | - | 3A0561A01 | | | | | | | 1 | 1 | 1 | 1 |
| C | REFRIGERATION UNIT | - | 104720A02 | 1 | - | | | | | | | | |
| | | - | 2A0238A01 | | 1 | - | | | | | | | |
| | | - | 2A0238A02 | | | 1 | 1 | 1 | 1 | 1 | 1 | - | |
| | | - | 2A0238A03 | | | | | | | | | 1 | 1 |
| D | WATER CIRCUIT ASSEMBLY | - | 106540A01 | 1 | - | | | | | | | | |
| | | - | 2A0237A01 | | 1 | - | | | | | | | |
| | WATER CIRCUIT | - | 2A0374A01 | | | 1 | 1 | - | | | | | |
| | | - | 2A0374A02 | | | | | 1 | 1 | - | | | |
| | | - | 2A0600A01 | | | | | | 1 | 1 | 1 | 1 | 1 |
| E | CONTROL BOX ASSEMBLY | - | 213125A03 | 1 | x1 | | | | | | | | |
| | | - | 2A0228A01 | | o1 | - | | | | | | | |
| | | - | 2A0228A03 | | | 1 | 1 | 1 | 1 | - | | | |
| | | - | 2A0603A01 | | | | | | | 1 | 1 | 1 | 1 |
| F | CHUTE ASSEMBLY | - | 214824A01 | 1 | 1 | x1 | | | | | | | |
| | | - | 2A0444A01 | | | o1 | 1 | 1 | 1 | 1 | 1 | 1 | - |
| | | - | 2A0941A01 | | | | | | | | | | 1 |
| G | LABEL LOCATION | - | 218879A01 | 1 | - | | | | | | | | |
| | | - | 2A0242A01 | | 1 | - | | | | | | | |
| | | - | 2A0242A04 | | | 1 | 1 | 1 | 1 | - | | | |
| | | - | 2A0242A12 | | | | | | | 1 | | | |
| | | - | 2A0242A12 | | | | | | | 1 | 1 | 1 | 1 |
| | | | | | | | | | | | | | |
| | | | | | | | | | | | | | |
| | | | | | | | | | | | | | |
| | | | | | | | | | | | | | |
| | | | | | | | | | | | | | |

HA

| MODEL: F-1000MAE, MAE-C TITLE: A. ICE FLAKER ASSEMBLY | | | | | | | | | | | | |
|---|-----------------------|--------------------------|---------------------------|------------------------|-------------------------|------------|------------|-----|-----|-----|-----|-----|
| INDEX NO. | DESCRIPTION | MATERIAL OR MODEL NUMBER | PART NUMBER | REQUIRED NUMBER | | | | | | | | |
| | | | | D10501 through D10535L | D10536M through D11126J | D-2 E-0 | E-1 F-0 | F-1 | F-2 | G-0 | G-1 | G-2 |
| 1 | CHASSIS | GS | 211647G01 | 1 | - | | | | | | | |
| | | GS | 2A0211G01 | | 1 | - | | | | | | |
| | | GS | 2A0211G04 | | | 1 | 1 | 1 | 1 | 1 | 1 | 1 |
| 2 | REAR PANEL | GS | 211656G02 | 1 | - | | | | | | | |
| | | GS | 2A0219G01 | | 1 | - | | | | | | |
| | | GS | 2A0219G02 | | | 1 | - | | | | | |
| | | GS | 2A0219G04 | | | | 1 | 1 | 1 | 1 | 1 | 1 |
| 3 | JUNCTION BOX COVER | GS | 438314-01 | 1 | x1 | | | | | | | |
| | | GS | 433410-01 | | o1 | 1 | 1 | 1 | 1 | 1 | 1 | 1 |
| 4 | FRAME (R) | GS | 211659G03 | 1 | - | | | | | | | |
| | | GS | 3A0255G01 | | 1 | 1 | 1 | 1 | 1 | 1 | 1 | 1 |
| 5 | FRONT FRAME | GS | 211658G01 | 1 | x1 | | | | | | | |
| | | GS | 3A0254G01 | | o1 | - | | | | | | |
| | | GS | 3A0254G02 | | | 1 | 1 | 1 | 1 | 1 | 1 | 1 |
| 6 | BRACKET-RESERVOIR | GS | 211660G01 | 1 | x1 | | | | | | | |
| | | GS | 2A0232G01 | | o1 | - | | | | | | |
| | | GS | 2A0357G01 | | | 1 | 1 | 1 | 1 | 1 | 1 | 1 |
| 7 | DRAIN PAN | GS | 211474G02 | 1 | 1 | - | | | | | | |
| | | ABS | 323765G02 | | | 1 | 1 | 1 | 1 | 1 | 1 | 1 |
| 8 | STRAP | GS | 433412-01 | 1 | 1 | 1 | 1 | x1 | | | | |
| | | GS | 4A0918-01 | | | | | o1 | 1 | 1 | 1 | 1 |
| 9 | TAPPING SCREW - BLACK | STEEL,4X8 | 433954-01 | 2 | 2 | 2 | 2 | 2 | 2 | 2 | 2 | 2 |
| 10 | CLAMP | NO.1873 | 427902-06 | 2 | x6 | | | | | | | |
| | | WS75-75-C | 4A0337-12 | | o6 | 6 | 6 | 6 | 6 | 6 | 6 | 6 |
| 11 | BARRIER-COMPRESSOR | GS | 436019-01 | 1 | - | | | | | | | |
| 12 | BUSHING | SB-562-7 | 420470-09 | 1 | 1 | 1 | 1 | 1 | 1 | 1 | 1 | 1 |
| 13 | RING | PA | 432661-01 | 1 | 1 | 1 | 1 | 1 | 1 | 1 | 1 | 1 |
| 14 | "O"RING | G85 | 7616-G085 | 1 | 1 | 1 | 1 | 1 | 1 | 1 | 1 | 1 |
| 15 | PACKING-SPOUT | EPDM | 321037-01 | 1 | 1 | 1 | 1 | 1 | 1 | 1 | 1 | 1 |

| MODEL: F-100MAE, MAE-C TITLE: A. ICE FLAKER ASSEMBLY | | | | | | | | | | | | |
|--|--------------------|--------------------------|-------------|------------------------|-------------------------|-----|-----|-----|-----|-----|-----|-----|
| INDEX NO. | DESCRIPTION | MATERIAL OR MODEL NUMBER | PART NUMBER | REQUIRED NUMBER | | | | | | | | |
| | | | | D10501 through D10535L | D10536M through D11126J | D-2 | E-1 | F-1 | F-2 | G-0 | G-1 | G-2 |
| | | | | | | E-0 | F-0 | | | | | J-0 |
| 16 | SPOUT | PC | 104020-01 | 1 | 1 | 1 | 1 | 1 | 1 | 1 | 1 | 1 |
| 17 | THUMBSCREW | SS,ABS | 415949G04 | 3 | 3 | 3 | 3 | 3 | 3 | 3 | 3 | 3 |
| 18 | STRAP | SS | 321038G02 | 1 | 1 | 1 | 1 | 1 | 1 | 1 | 1 | 1 |
| 19 | STRAP | SS | 328703-02 | 1 | 1 | 1 | 1 | 1 | 1 | 1 | 1 | 1 |
| 20 | BUSHING | SB-1500-21 | 420470-06 | 3 | 3 | 3 | 3 | 3 | 3 | 3 | 3 | 3 |
| 21 | CONDUIT | COPPER | 321359G01 | 1 | - | | | | | | | |
| | BARRIER | GS | 4A0400-01 | | 1 | 1 | 1 | 1 | 1 | 1 | 1 | 1 |
| 22 | STRAP | GS | 436137-01 | 1 | - | | | | | | | |
| 23 | BARRIER | GS | 441216-01 | 1 | - | | | | | | | |
| 24 | BUSHING | SR-30-1 | 420472-03 | 2 | 2 | 2 | 2 | 2 | 2 | 2 | 2 | 2 |
| 25 | WIRE SADDLE | LWS-2NS | 428060-03 | 6 | x9 | | | | | | | |
| | | VWS4238-C | 4A0338-02 | | o9 | 6 | 6 | 6 | 6 | 6 | 6 | 6 |
| 26 | WIRE SADDLE | LWS-4NS | 428060-01 | 7 | x4 | | | | | | | |
| | | VWS42105-C | 4A0338-04 | | o4 | 4 | 4 | 4 | 4 | 4 | 4 | 4 |
| 27 | SCREW-GROUNDING | BRASS | 433304-02 | 1 | 1 | 1 | 1 | 1 | 1 | 1 | 1 | 1 |
| 28 | SIDE PANEL (RIGHT) | SS | 211669G02 | 1 | x1 | | | | | | | |
| | | SS | 2A0226G01 | | o1 | 1 | 1 | 1 | 1 | 1 | 1 | 1 |
| 29 | SIDE PANEL (LEFT) | SS | 211670G02 | 1 | x1 | | | | | | | |
| | | SS | 2A0225G01 | | o1 | 1 | 1 | 1 | 1 | 1 | 1 | 1 |
| 30 | TOP PANEL | SS | 213544-04 | 1 | x1 | | | | | | | |
| | | SS | 213544-01 | | o1 | 1 | 1 | 1 | 1 | 1 | 1 | 1 |
| 31 | FRONT COVER | SS | 321361-01 | 1 | 1 | 1 | 1 | 1 | 1 | 1 | x1 | |
| | | SS | 3A0803-01 | | | | | | | | o1 | 1 |
| 32 | LOUVER (B) | P.P | 103121-01 | 2 | x2 | | | | | | | |
| | | P.P | 103121-03 | | o2 | 2 | 2 | 2 | 2 | 2 | 2 | 2 |
| 33 | AIR FILTER (B) | - | 208283G01 | 2 | x2 | | | | | | | |
| | | - | 208283G03 | | o2 | 2 | 2 | 2 | 2 | 2 | 2 | 2 |
| 34 | CABLE TIE | CV-150 | 7920-0003 | 2 | 2 | 2 | 2 | 2 | 2 | 2 | 2 | 2 |
| 35 | SQUARE WASHER | BRASS | 433537-02 | 1 | 1 | 1 | 1 | 1 | 1 | 1 | 1 | 1 |

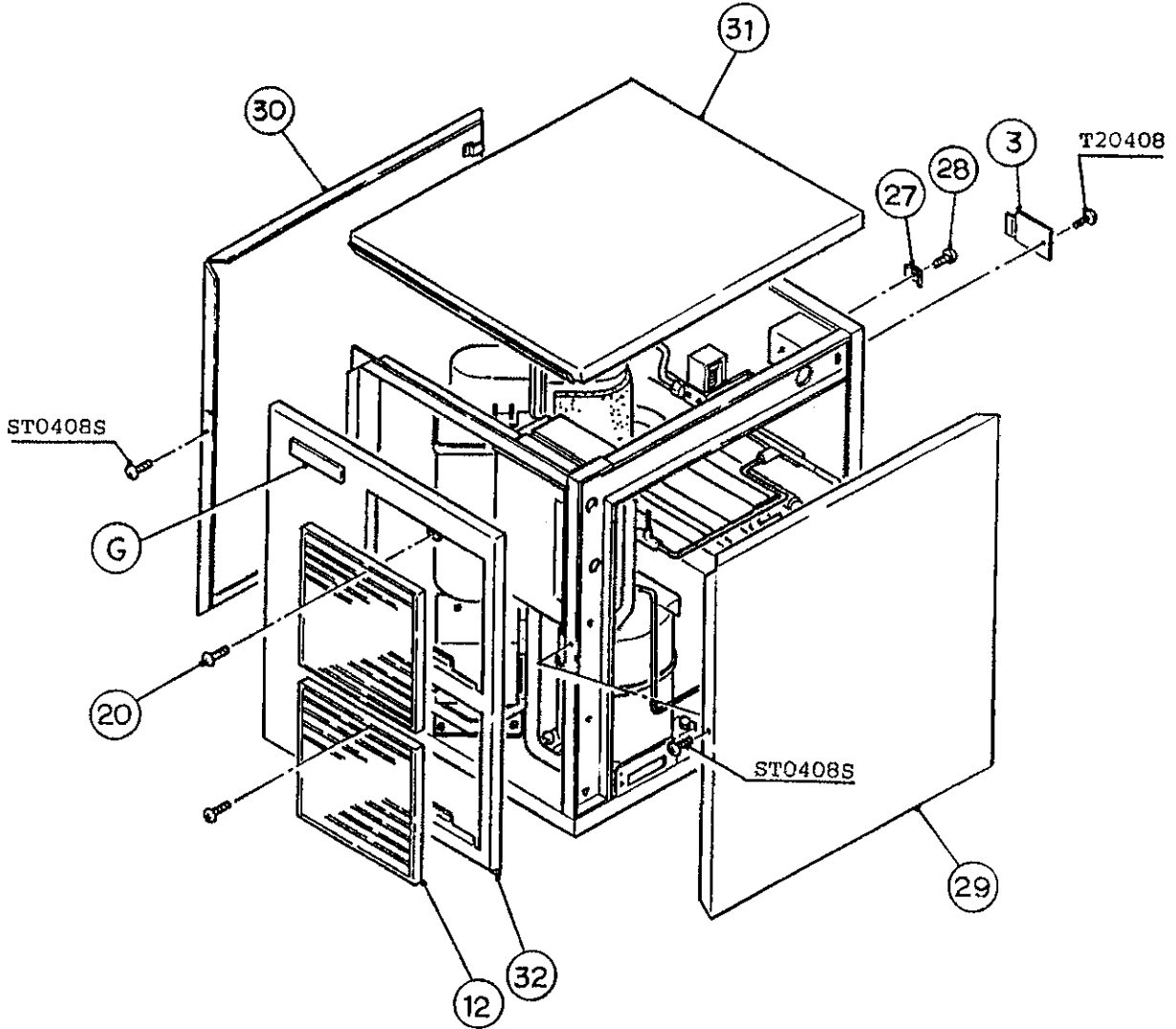


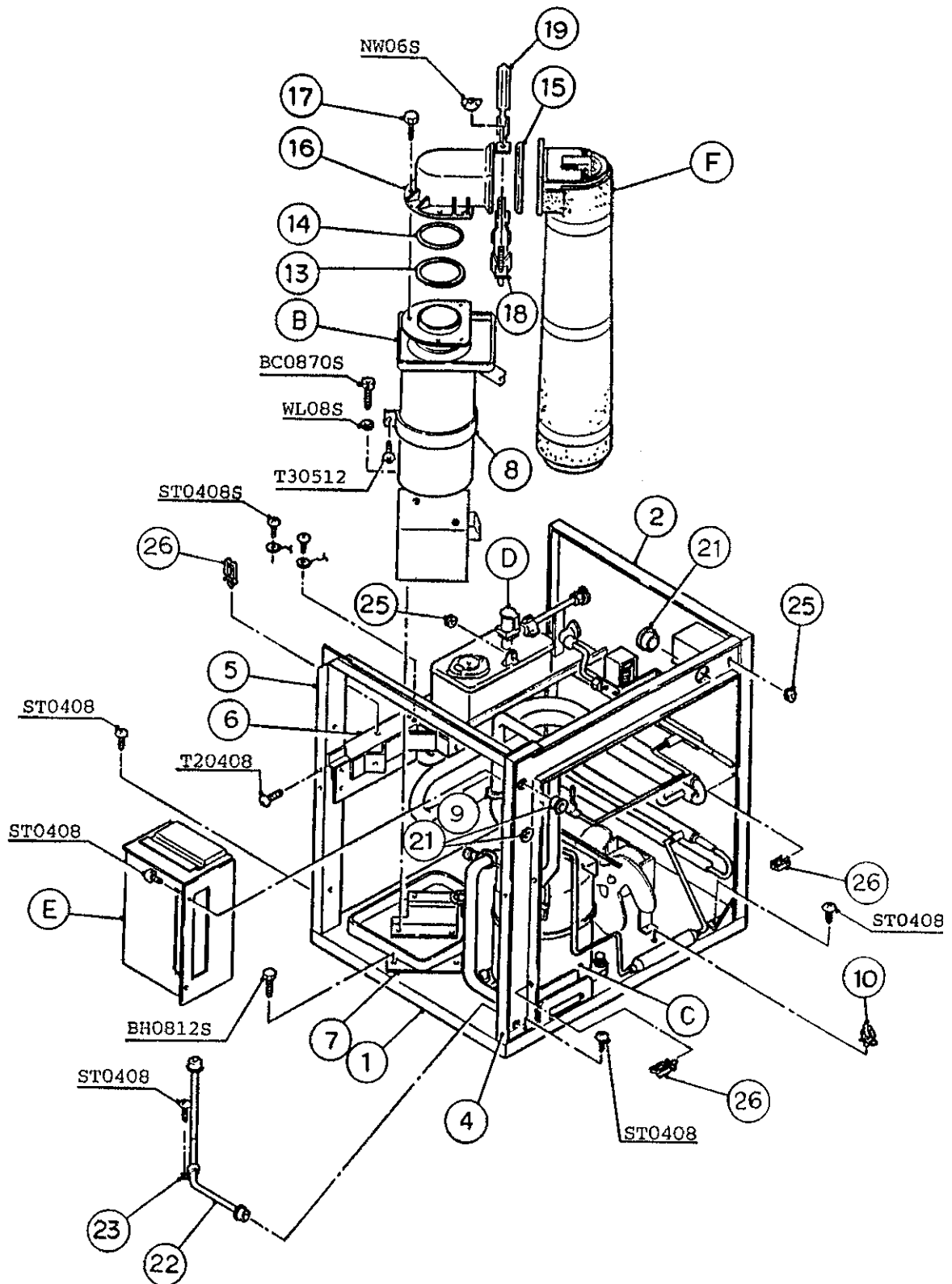
HA

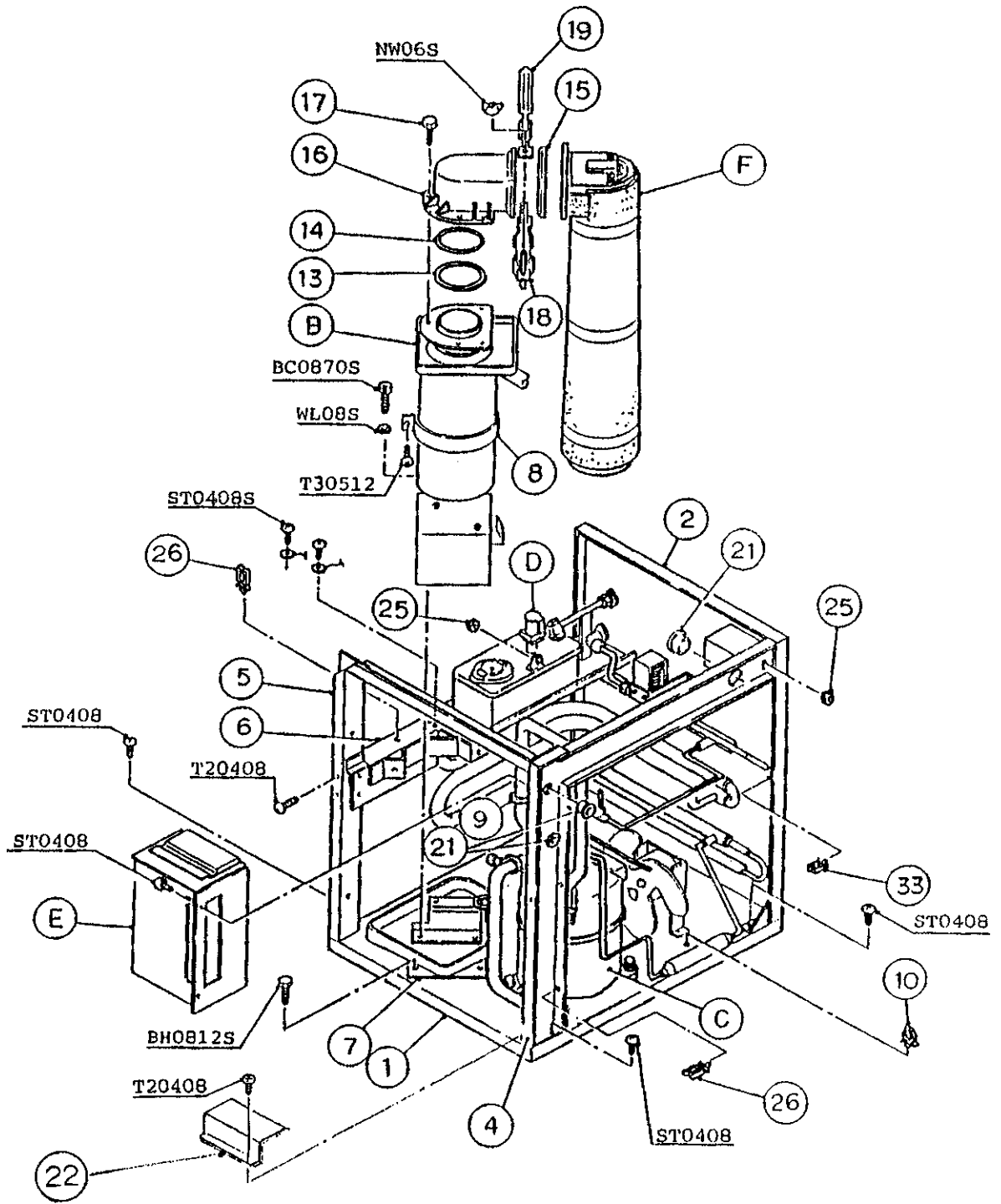
F-1000MWE(-C)

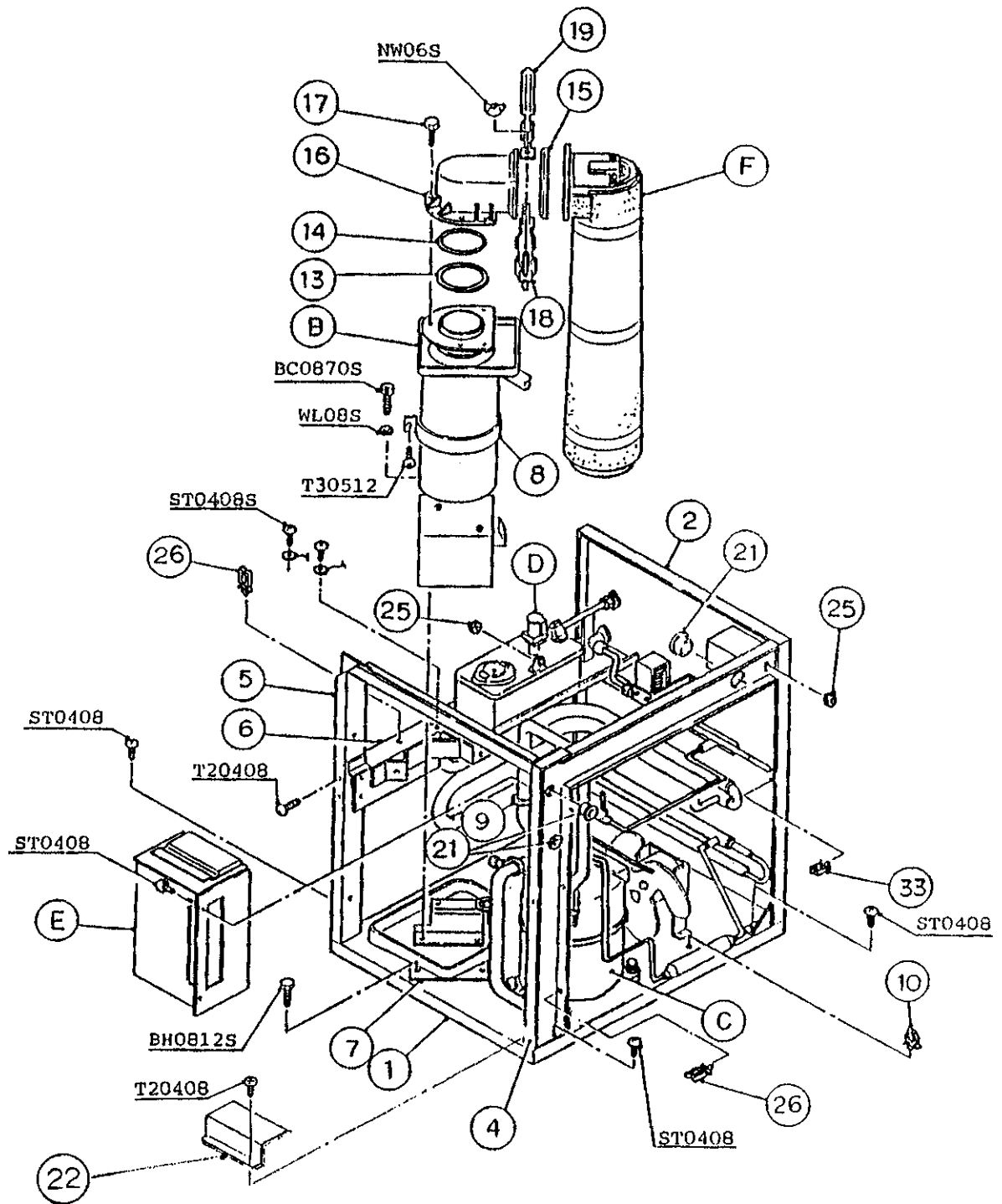
A. ICE FLAKER ASSEMBLY (1/2)

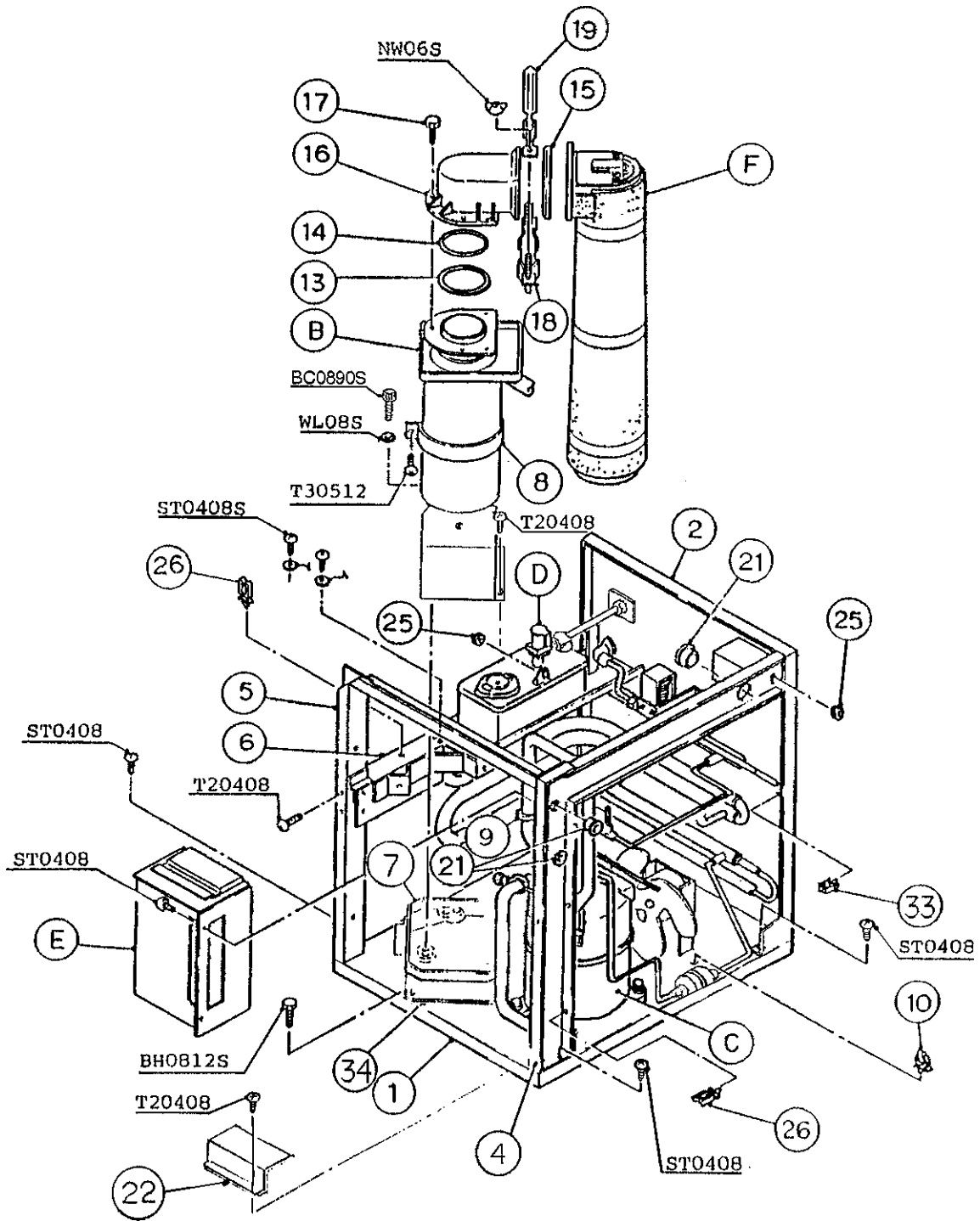
D10536M-D10650H, D-2, E-0, E-1,
F-0, F-1, G-0, G-1, H-2











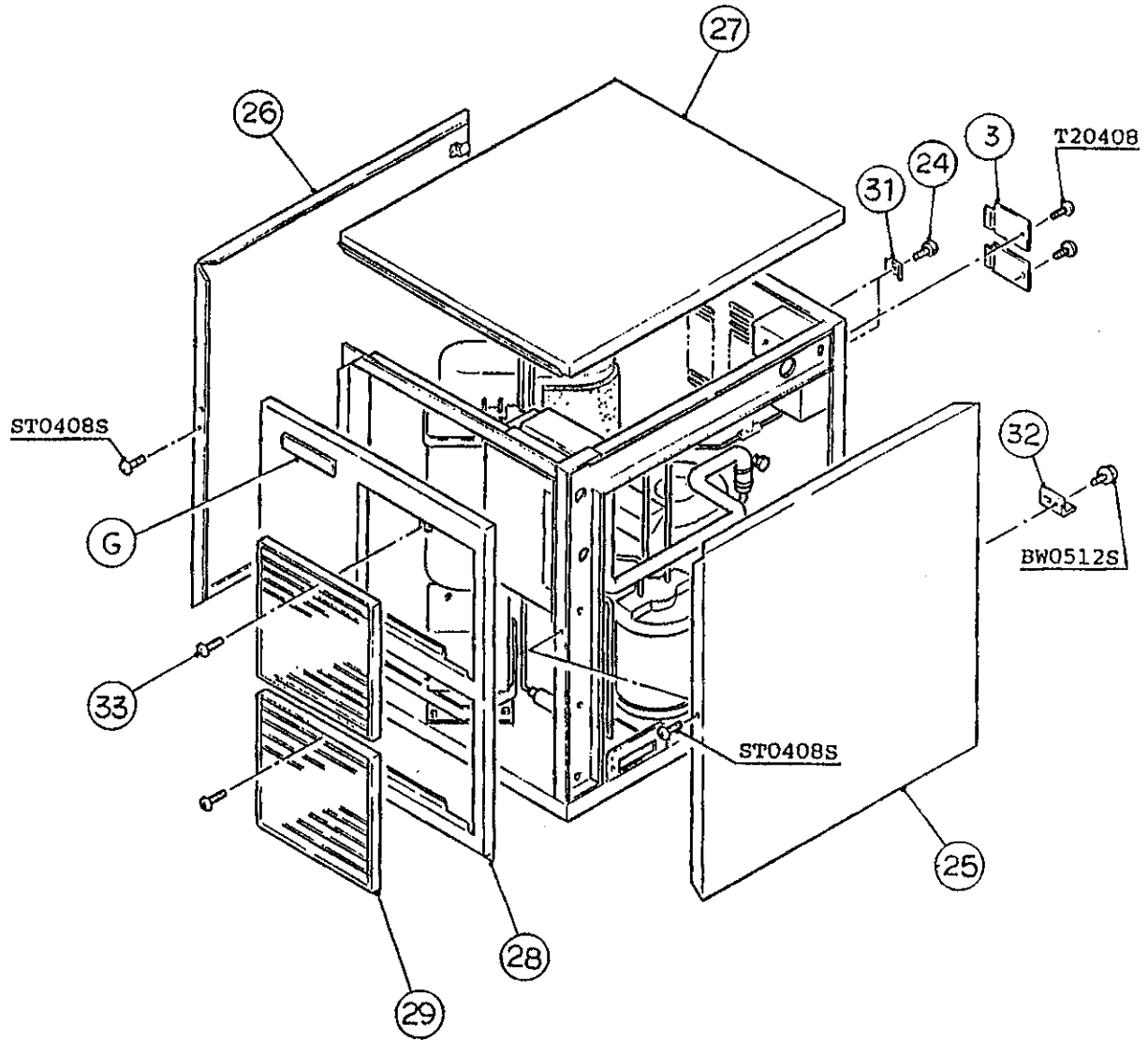
| MODEL: F-1000MWE TITLE: A. ICE FLAKER ASSEMBLY | | | | | | | | | | | | | |
|--|------------------------|--------------------------|-------------|------------------------|-------------------------|-----|-----|-----|-----|-----|-----|-----|---|
| INDEX NO. | DESCRIPTION | MATERIAL OR MODEL NUMBER | PART NUMBER | REQUIRED NUMBER | | | | | | | | | |
| | | | | D10501 through D10535L | D10536M through D10650H | D-2 | E-0 | E-1 | F-0 | F-1 | G-0 | H-2 | |
| B | EVAPORATOR ASSEMBLY | - | 321234A03 | 1 | 1 | 1 | 1 | 1 | 1 | - | | | |
| | | - | 3A0561A01 | | | | | | | 1 | 1 | 1 | |
| C | REFRIGERATION UNIT | - | 104721A02 | 1 | - | | | | | | | | |
| | | - | 2A0239A01 | | 1 | - | | | | | | | |
| | | - | 2A0373A01 | | | 1 | 1 | - | | | | | |
| | | - | 2A0373A02 | | | | | 1 | 1 | 1 | 1 | 1 | |
| D | WATER CIRCUIT ASSEMBLY | - | 106540A01 | 1 | - | | | | | | | | |
| | | - | 2A0237A01 | | 1 | - | | | | | | | |
| | WATER CIRCUIT | - | 2A0374A01 | | | 1 | 1 | - | | | | | |
| | | - | 2A0374A02 | | | | | 1 | 1 | - | | | |
| | | - | 2A0600A01 | | | | | | | 1 | 1 | 1 | |
| E | CONTROL BOX ASSEMBLY | - | 213125A03 | 1 | x1 | | | | | | | | |
| | | - | 2A0228A01 | | o1 | - | | | | | | | |
| | | - | 2A0228A04 | | | 1 | 1 | 1 | 1 | - | | | |
| | | - | 2A0603A02 | | | | | | | 1 | 1 | 1 | |
| F | CHUTE ASSEMBLY | - | 214824A01 | 1 | 1 | x1 | | | | | | | |
| | | - | 2A0444A01 | | | o1 | 1 | 1 | 1 | 1 | 1 | - | |
| | | - | 2A0941A01 | | | | | | | | | | 1 |
| G | LABEL LOCATION | - | 218879A01 | 1 | - | | | | | | | | |
| | | - | 2A0242A01 | | 1 | - | | | | | | | |
| | | - | 2A0242A04 | | | 1 | 1 | 1 | 1 | - | | | |
| | | - | 2A0242A12 | | | | | | | 1 | 1 | 1 | |
| | | | | | | | | | | | | | |
| | | | | | | | | | | | | | |
| | | | | | | | | | | | | | |
| | | | | | | | | | | | | | |
| | | | | | | | | | | | | | |
| | | | | | | | | | | | | | |

HA

| MODEL: F-1000MWE, MWE-C TITLE: A. ICE FLAKER ASSEMBLY | | | | | | | | | | | | |
|---|--------------------|--------------------------|-------------|------------------------|-------------------------|------------|------------|-----|-----|-----|-----|--|
| INDEX NO. | DESCRIPTION | MATERIAL OR MODEL NUMBER | PART NUMBER | REQUIRED NUMBER | | | | | | | | |
| | | | | D10501 through D10535L | D10536M through D10650H | D-2 E-0 | E-1 F-0 | F-1 | G-0 | G-1 | H-2 | |
| 1 | CHASSIS | GS | 211647G02 | 1 | - | | | | | | | |
| | | GS | 2A0211G02 | | 1 | - | | | | | | |
| | | GS | 2A0211G05 | | | 1 | 1 | 1 | 1 | 1 | 1 | |
| 2 | REAR PANEL | GS | 211652G02 | 1 | - | | | | | | | |
| | | GS | 2A0221G01 | | 1 | - | | | | | | |
| | | GS | 2A0368G01 | | | 1 | - | | | | | |
| | | GS | 2A0368G03 | | | | 1 | 1 | 1 | 1 | 1 | |
| 3 | JUNCTION BOX COVER | GS | 438314-01 | 1 | x1 | | | | | | | |
| | | GS | 433410-01 | | o1 | 1 | 1 | 1 | 1 | 1 | 1 | |
| 4 | FRAME (R) | GS | 211659G03 | 1 | - | | | | | | | |
| | | GS | 3A0255G01 | | 1 | 1 | 1 | 1 | 1 | 1 | 1 | |
| 5 | FRONT FRAME | GS | 211658G01 | 1 | x1 | | | | | | | |
| | | GS | 3A0254G01 | | o1 | - | | | | | | |
| | | GS | 3A0254G02 | | | 1 | 1 | 1 | 1 | 1 | 1 | |
| 6 | BRACKET-RESERVOIR | GS | 211660G02 | 1 | x1 | | | | | | | |
| | | GS | 2A0232G02 | | o1 | - | | | | | | |
| | | GS | 2A0357G02 | | | 1 | 1 | 1 | 1 | 1 | 1 | |
| 7 | DRAIN PAN | GS | 211474G02 | 1 | 1 | - | | | | | | |
| | | ABS | 323765G02 | | | 1 | 1 | 1 | 1 | 1 | 1 | |
| 8 | STRAP | GS | 433412-01 | 1 | 1 | 1 | 1 | x1 | | | | |
| | | GS | 4A0918-01 | | | | | o1 | 1 | 1 | 1 | |
| 9 | CABLE TIE | CV-150 | 7920-0003 | 1 | 1 | 1 | 1 | 1 | 1 | 1 | 1 | |
| 10 | CLAMP | NO.1873 | 427902-06 | 3 | x6 | | | | | | | |
| | | WS75-75-C | 4A0337-12 | | o6 | 6 | 6 | 6 | 6 | 6 | 6 | |
| 11 | BARRIER-COMPRESSOR | GS | 436019-01 | 1 | - | | | | | | | |
| 12 | LOUVER (B) | P.P | 103121-01 | 2 | x2 | | | | | | | |
| | | P.P | 103121-03 | | o2 | 2 | 2 | 2 | 2 | 2 | 2 | |
| 13 | RING | PA | 432661-01 | 1 | 1 | 1 | 1 | 1 | 1 | 1 | 1 | |
| 14 | "O" RING | G85 | 7616-G085 | 1 | 1 | 1 | 1 | 1 | 1 | 1 | 1 | |

HA

| MODEL: F-1000MWE, MWE-C TITLE: A. ICE FLAKER ASSEMBLY | | | | | | | | | | | | |
|---|-----------------------|--------------------------|-------------|------------------------|-------------------------|------------|------------|-----|-----|-----|-----|--|
| INDEX NO. | DESCRIPTION | MATERIAL OR MODEL NUMBER | PART NUMBER | REQUIRED NUMBER | | | | | | | | |
| | | | | D10501 through D10535L | D10536M through D10650H | D-2 E-0 | E-1 F-0 | F-1 | G-0 | G-1 | H-2 | |
| 15 | PACKING-SPOUT | EPDM | 321037-01 | 1 | 1 | 1 | 1 | 1 | 1 | 1 | 1 | |
| 16 | SPOUT | PC | 104020-01 | 1 | 1 | 1 | 1 | 1 | 1 | 1 | 1 | |
| 17 | THUMBSCREW | SS,ABS | 415949G04 | 3 | 3 | 3 | 3 | 3 | 3 | 3 | 3 | |
| 18 | STRAP | SS | 321038G02 | 1 | 1 | 1 | 1 | 1 | 1 | 1 | 1 | |
| 19 | STRAP | SS | 328703-02 | 1 | 1 | 1 | 1 | 1 | 1 | 1 | 1 | |
| 20 | TAPPING SCREW - BLACK | STEEL, 4 x 8 | 433954-01 | 2 | 2 | 2 | 2 | 2 | 2 | 2 | 2 | |
| 21 | BUSHING | SB-1500-21 | 420470-06 | 3 | 4 | 4 | 4 | 4 | 4 | 4 | 4 | |
| 22 | CONDUIT | COPPER | 321359G01 | 1 | - | | | | | | | |
| | BARRIER | GS | 4A0400-01 | | 1 | 1 | 1 | 1 | 1 | 1 | 1 | |
| 23 | STRAP | GS | 436137-01 | 1 | - | | | | | | | |
| 24 | BRACE | GS | 433469-01 | 2 | - | | | | | | | |
| 25 | BUSHING | SR-30-1 | 420472-03 | 2 | 2 | 2 | 2 | 2 | 2 | 2 | 2 | |
| 26 | WIRE SADDLE | LWS-2NS | 428060-03 | 17 | x4 | | | | | | | |
| | | VWS42105-C | 4A0338-02 | | o4 | 4 | 4 | 4 | 4 | 4 | 4 | |
| 27 | SQUARE WASHER | BRASS | 433537-02 | 1 | 1 | 1 | 1 | 1 | 1 | 1 | 1 | |
| 28 | SCREW-GROUNDING | BRASS | 433304-02 | 1 | 1 | 1 | 1 | 1 | 1 | 1 | 1 | |
| 29 | SIDE PANEL (RIGHT) | SS | 211669G02 | 1 | x1 | | | | | | | |
| | | SS | 2A0226G01 | | o1 | 1 | 1 | 1 | 1 | 1 | 1 | |
| 30 | SIDE PANEL (LEFT) | SS | 211670G02 | 1 | x1 | | | | | | | |
| | | SS | 2A0225G01 | | o1 | 1 | 1 | 1 | 1 | 1 | 1 | |
| 31 | TOP PANEL | SS | 213544-04 | 1 | x1 | | | | | | | |
| | | SS | 213544-01 | | o1 | 1 | 1 | 1 | 1 | 1 | 1 | |
| 32 | FRONT COVER | SS | 321361-01 | 1 | 1 | 1 | 1 | 1 | 1 | x1 | | |
| | | SS | 3A0803-01 | | | | | | | o1 | 1 | |
| 33 | WIRE SADDLE | VWS42105-C | 4A0338-04 | | 9 | 9 | 9 | 9 | 9 | 9 | 9 | |
| 34 | BRACKET - GEAR MOTOR | SS | 327175G01 | 1 | 1 | x1 | | | | | | |
| | | GS | 3A0396G01 | | | o1 | 1 | 1 | 1 | 1 | 1 | |
| | | | | | | | | | | | | |
| | | | | | | | | | | | | |

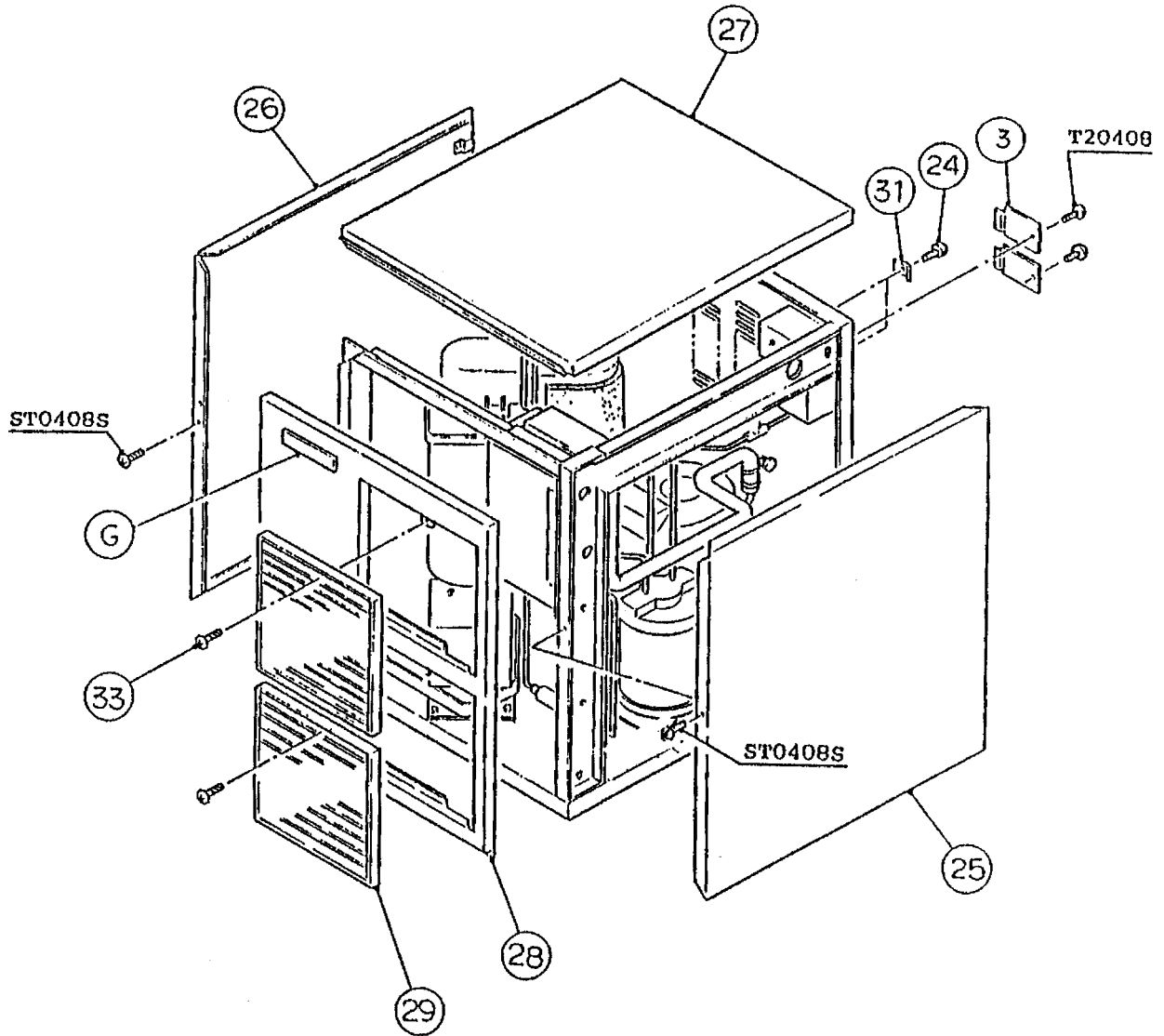


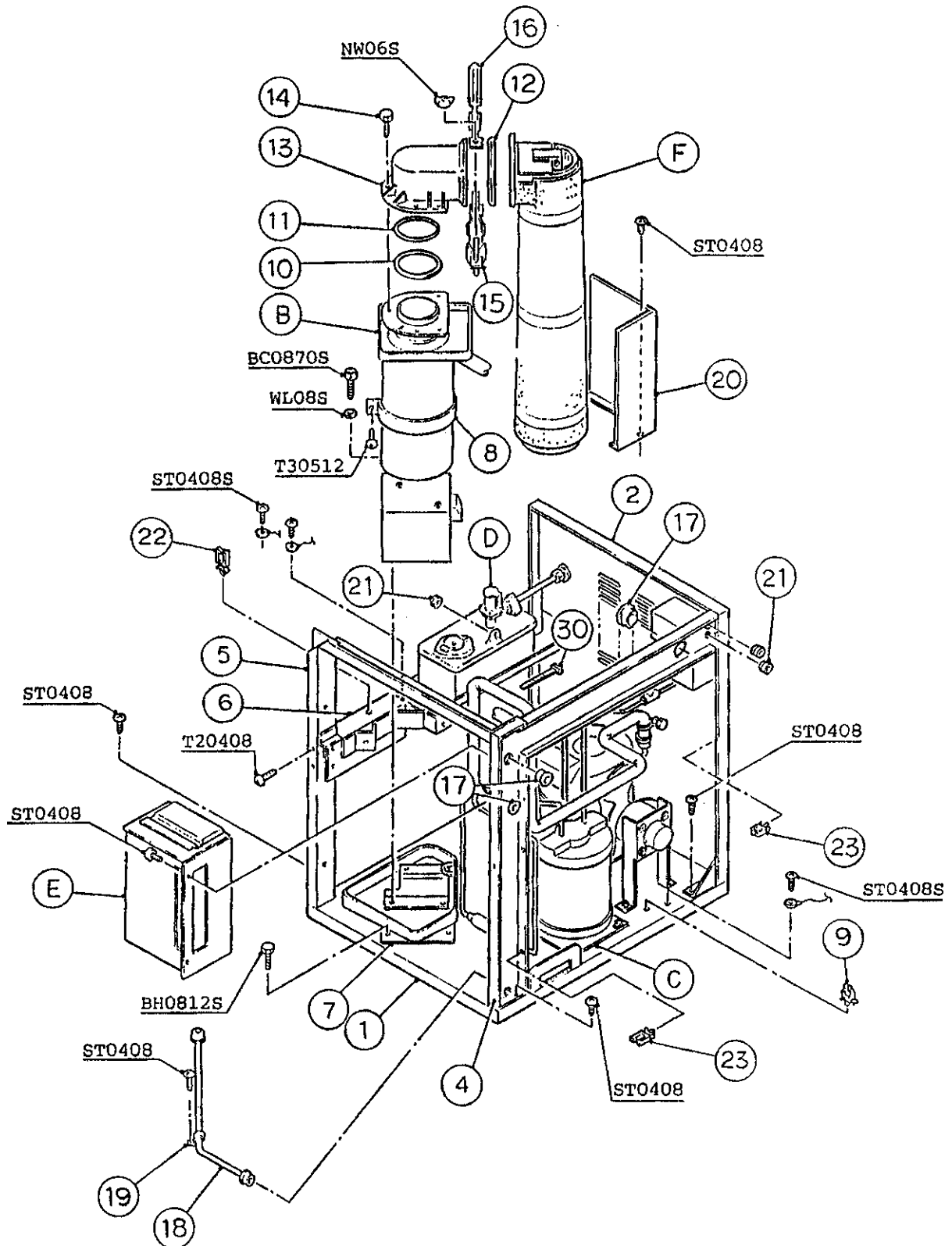
HA

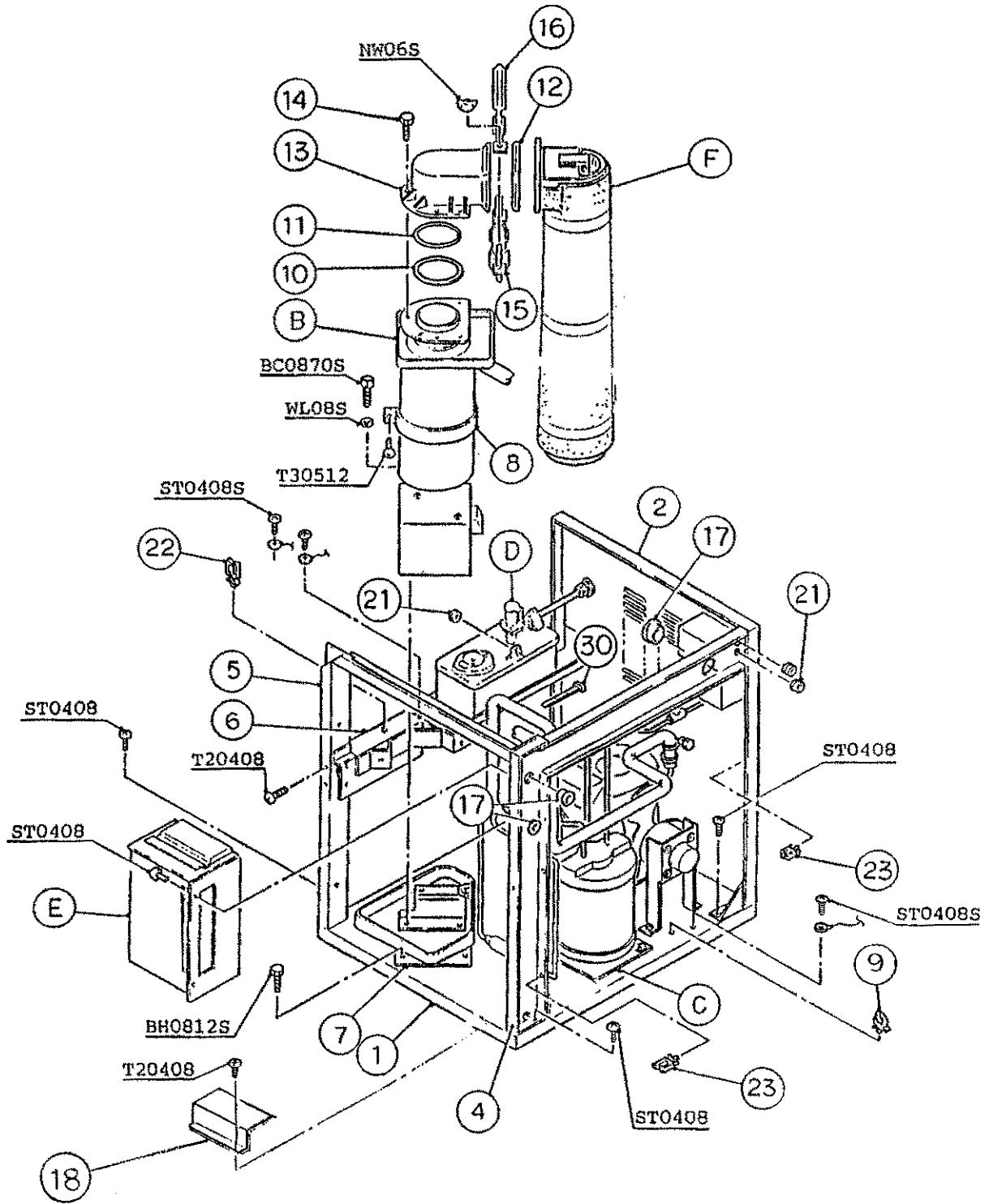
F-1000MRE(-C)

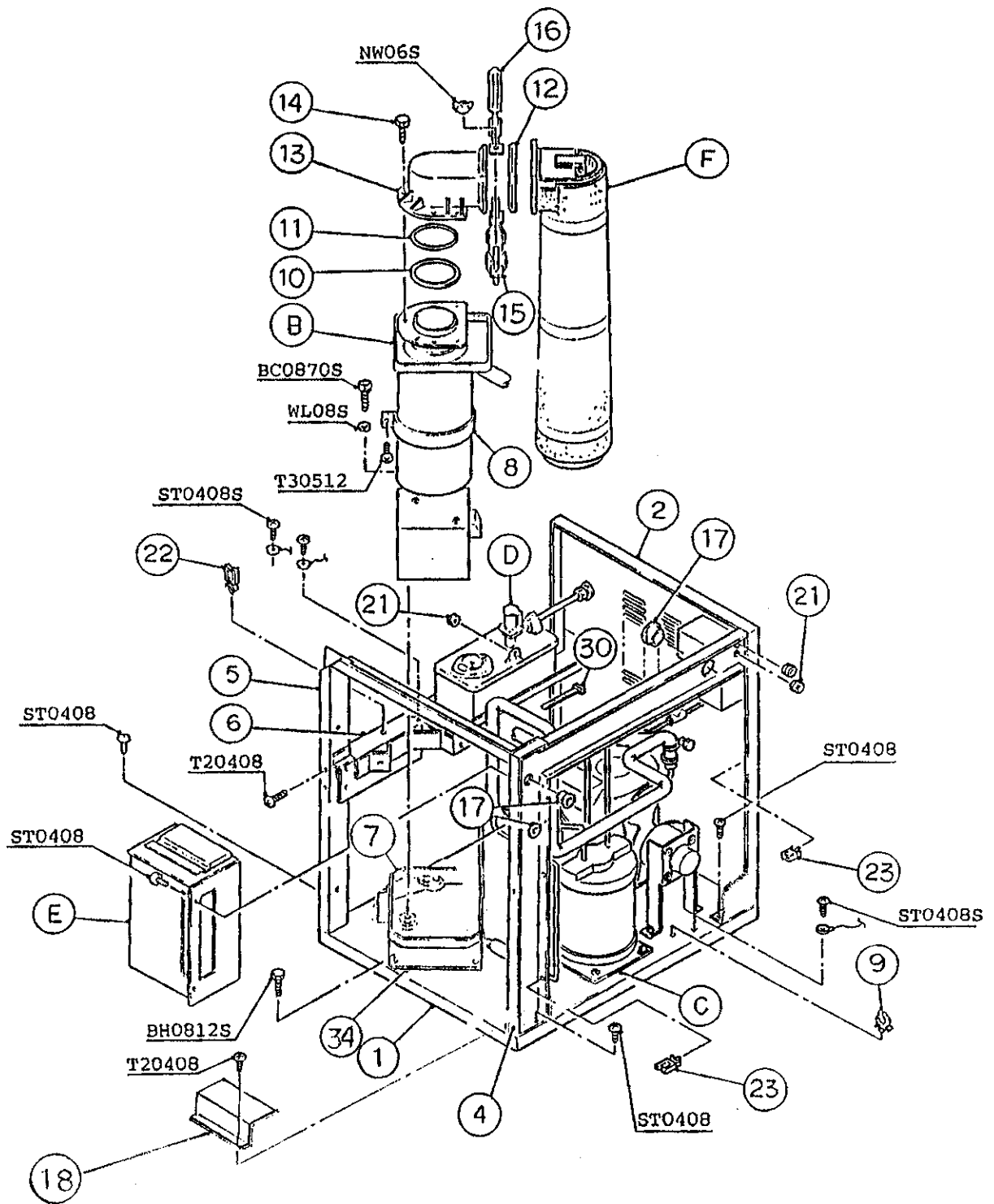
A. ICE FLAKER ASSEMBLY (1/2)

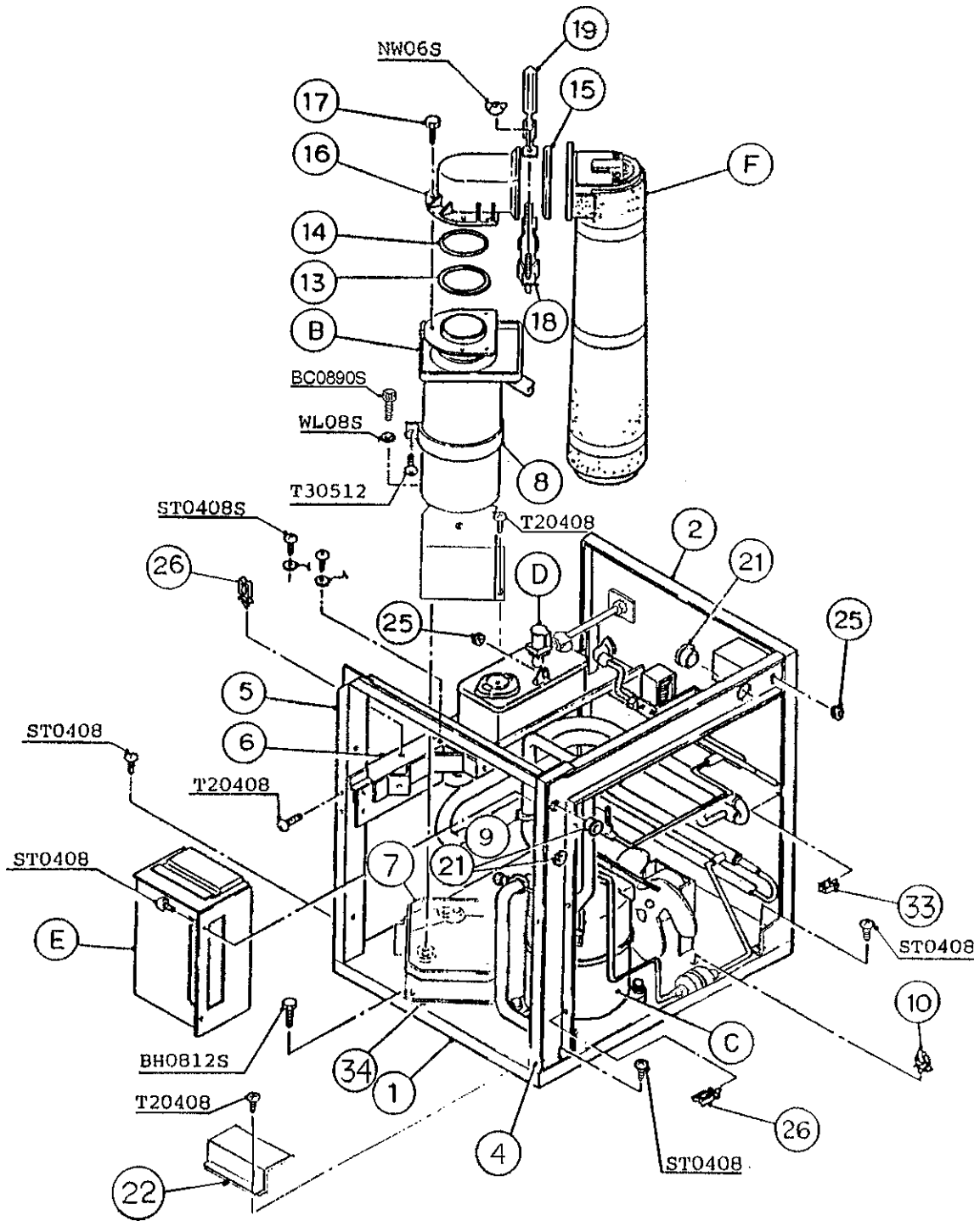
D10536M-D10736J, D-2, E-1,
F-0, F-1, F-2, G-0, G-1, H-2











| MODEL: F-1000MRE TITLE: A. ICE FLAKER ASSEMBLY | | | | | | | | | | | | |
|--|------------------------|--------------------------|-------------|------------------------|-------------------------|-----|-----|-----|-----|-----|-----|-----|
| INDEX NO. | DESCRIPTION | MATERIAL OR MODEL NUMBER | PART NUMBER | REQUIRED NUMBER | | | | | | | | |
| | | | | D10501 through D10535L | D10536M through D10736J | D-2 | E-1 | F-0 | F-1 | G-0 | G-1 | H-2 |
| B | EVAPORATOR ASSEMBLY | - | 321234A03 | 1 | 1 | 1 | 1 | 1 | - | | | |
| | | - | 3A0561A01 | | | | | | 1 | 1 | 1 | 1 |
| C | REFRIGERATION UNIT | - | 1047222A03 | 1 | - | | | | | | | |
| | | - | 2A0240A01 | | 1 | - | | | | | | |
| | | - | 2A0240A02 | | | 1 | 1 | 1 | 1 | 1 | 1 | 1 |
| D | WATER CIRCUIT ASSEMBLY | - | 106540A01 | 1 | - | | | | | | | |
| | | - | 2A0237A01 | | 1 | - | | | | | | |
| | WATER CIRCUIT | - | 2A0374A01 | | | 1 | - | | | | | |
| | | - | 2A0374A02 | | | | 1 | 1 | - | | | |
| | | - | 2A0600A01 | | | | | | 1 | 1 | 1 | 1 |
| E | CONTROL BOX ASSEMBLY | - | 213125A02 | 1 | x1 | | | | | | | |
| | | - | 2A0228A02 | | o1 | - | | | | | | |
| | | - | 2A0228A04 | | | 1 | 1 | 1 | - | | | |
| | | - | 2A0603A02 | | | | | | 1 | 1 | 1 | 1 |
| F | CHUTE ASSEMBLY | - | 214824A01 | 1 | 1 | x1 | | | | | | |
| | | - | 2A0444A01 | | | o1 | 1 | 1 | 1 | 1 | 1 | - |
| | | - | 2A0941A01 | | | | | | | | | 1 |
| G | LABEL LOCATION | - | 218879A02 | 1 | - | | | | | | | |
| | | - | 2A0242A03 | | 1 | - | | | | | | |
| | | - | 2A0242A06 | | | 1 | 1 | 1 | - | | | |
| | | - | 2A0242A14 | | | | | | 1 | 1 | 1 | 1 |
| | | | | | | | | | | | | |
| | | | | | | | | | | | | |
| | | | | | | | | | | | | |
| | | | | | | | | | | | | |
| | | | | | | | | | | | | |
| | | | | | | | | | | | | |
| | | | | | | | | | | | | |

| MODEL: F-1000MRE, MRE-C TITLE: A. ICE FLAKER ASSEMBLY | | | | | | | | | | | | |
|---|--------------------|--------------------------|-------------|------------------------|-------------------------|-----|------------|-----|------------|-----|-----|--|
| INDEX NO. | DESCRIPTION | MATERIAL OR MODEL NUMBER | PART NUMBER | REQUIRED NUMBER | | | | | | | | |
| | | | | D10501 through D10535L | D10536M through D10736J | D-2 | E-1 F-0 | F-1 | F-2 G-0 | G-1 | H-2 | |
| 1 | CHASSIS | GS | 211647G03 | 1 | - | | | | | | | |
| | | GS | 2A0211G03 | | 1 | - | | | | | | |
| | | GS | 2A0211G06 | | | 1 | 1 | 1 | 1 | 1 | 1 | |
| 2 | REAR PANEL | GS | 211653G03 | 1 | - | | | | | | | |
| | | GS | 2A0223G01 | | 1 | - | | | | | | |
| | | GS | 2A0370G01 | | | 1 | - | | | | | |
| | | GS | 2A0370G02 | | | | 1 | 1 | 1 | 1 | 1 | |
| 3 | JUNCTION BOX COVER | GS | 438314-01 | 1 | x1 | | | | | | | |
| | | GS | 433410-01 | | o1 | 1 | 1 | 1 | 1 | 1 | 1 | |
| 4 | FRAME (R) | GS | 211659G03 | 1 | - | | | | | | | |
| | | GS | 3A0255G01 | | 1 | 1 | 1 | 1 | 1 | 1 | 1 | |
| 5 | FRONT FRAME | GS | 211658G01 | 1 | x1 | | | | | | | |
| | | GS | 3A0254G01 | | o1 | - | | | | | | |
| | | GS | 3A0254G02 | | | 1 | 1 | 1 | 1 | 1 | 1 | |
| 6 | BRACKET-RESERVOIR | GS | 211660G02 | 1 | x1 | | | | | | | |
| | | GS | 2A0232G02 | | o1 | - | | | | | | |
| | | GS | 2A0357G02 | | | 1 | 1 | 1 | 1 | 1 | 1 | |
| 7 | DRAIN PAN | GS | 211474G02 | 1 | 1 | - | | | | | | |
| | | ABS | 323765G02 | | | 1 | 1 | 1 | 1 | 1 | 1 | |
| 8 | STRAP | GS | 433412-01 | 1 | 1 | 1 | 1 | x1 | | | | |
| | | GS | 4A0918-01 | | | | | o1 | 1 | 1 | 1 | |
| 9 | CLAMP | NO.1873 | 427902-01 | 3 | x6 | | | | | | | |
| | | WS75-75-C | 4A0337-12 | | o6 | 6 | 6 | 6 | 6 | 6 | 6 | |
| 10 | RING | PA | 432661-01 | 1 | 1 | 1 | 1 | 1 | 1 | 1 | 1 | |
| 11 | "O"RING | G85 | 7616-G085 | 1 | 1 | 1 | 1 | 1 | 1 | 1 | 1 | |
| 12 | PACKING-SPOUT | EPDM | 321037-01 | 1 | 1 | 1 | 1 | 1 | 1 | 1 | 1 | |
| 13 | SPOUT | PC | 104020-01 | 1 | 1 | 1 | 1 | 1 | 1 | 1 | 1 | |
| 14 | THUMBSCREW | SS,ABS | 415949G04 | 3 | 3 | 3 | 3 | 3 | 3 | 3 | 3 | |
| 15 | STRAP | SS | 321038G02 | 1 | 1 | 1 | 1 | 1 | 1 | 1 | 1 | |

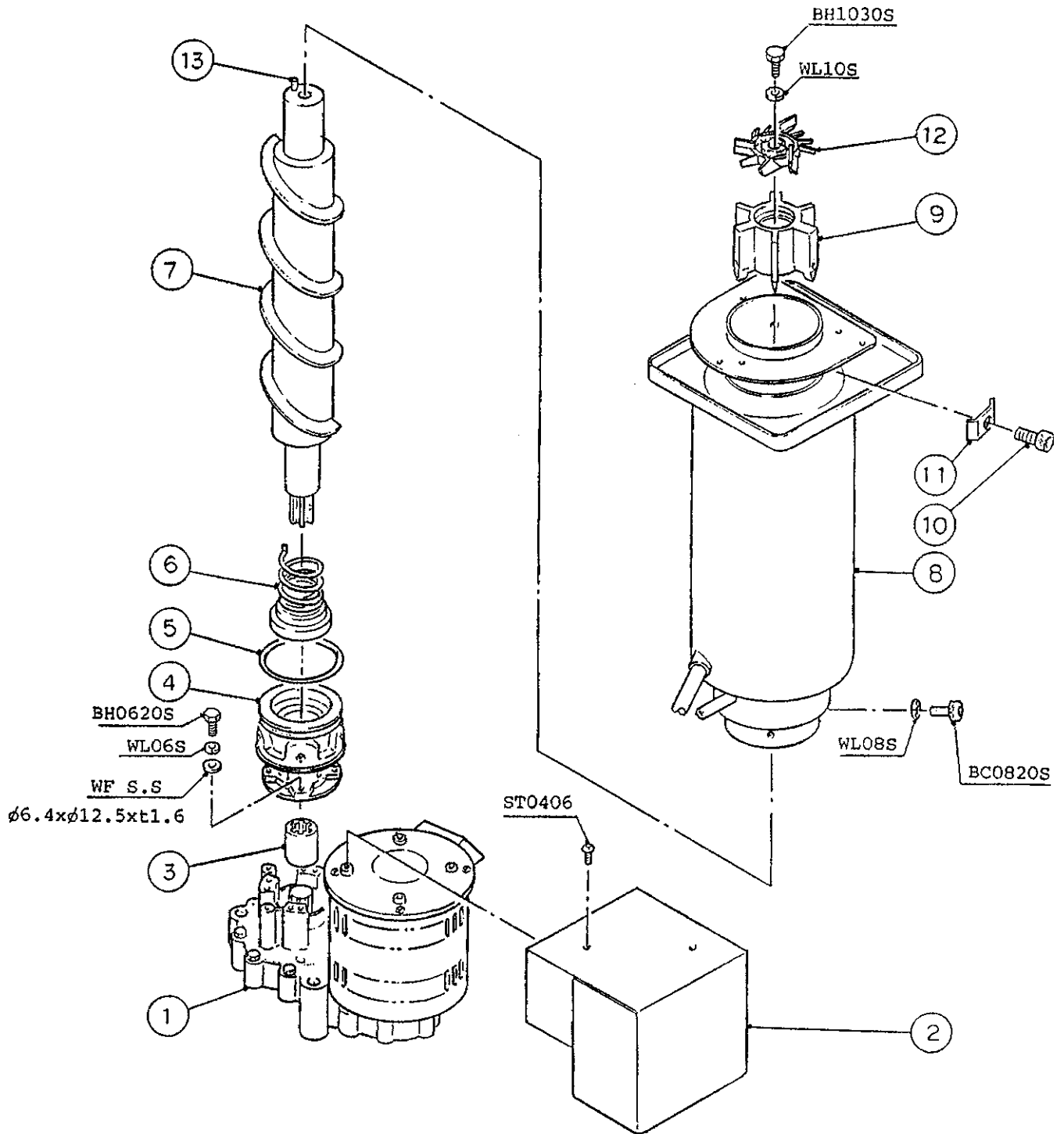
| MODEL: F-1000MRE, MRE-C TITLE: A. ICE FLAKER ASSEMBLY | | | | | | | | | | | | |
|---|-----------------------|--------------------------|-------------|------------------------|-------------------------|-----|------------|-----|------------|-----|-----|--|
| INDEX NO. | DESCRIPTION | MATERIAL OR MODEL NUMBER | PART NUMBER | REQUIRED NUMBER | | | | | | | | |
| | | | | D10501 through D10535L | D10536M through D10736J | D-2 | E-1 F-0 | F-1 | F-2 G-0 | G-1 | H-2 | |
| 16 | STRAP | SS | 328703-02 | 1 | 1 | 1 | 1 | 1 | 1 | 1 | 1 | |
| 17 | BUSHING | SB-1500-21 | 420470-06 | 3 | 4 | 4 | 4 | 4 | 4 | 4 | 4 | |
| 18 | CONDUIT | COPPER | 321359G01 | 1 | - | | | | | | | |
| | BARRIER | GS | 4A0400-01 | | 1 | 1 | 1 | 1 | 1 | 1 | 1 | |
| 19 | STRAP | GS | 436137-01 | 1 | - | | | | | | | |
| 20 | BARRIER | GS | 327386-01 | 1 | - | | | | | | | |
| 21 | BUSHING | SR-30-1 | 420472-03 | 3 | 3 | 3 | 3 | 3 | 3 | 3 | 3 | |
| 22 | WIRE SADDLE | LWS-2NS | 428060-03 | 7 | x10 | | | | | | | |
| | | VWS42105-C | 4A0338-02 | | o10 | 10 | 10 | 10 | 10 | 10 | 10 | |
| 23 | WIRE SADDLE | LWS-4NS | 428060-01 | 6 | x4 | | | | | | | |
| | | VWS42105-C | 4A0338-04 | | o4 | 4 | 4 | 4 | 4 | 4 | 4 | |
| 24 | SCREW-GROUNDING | BRASS | 433304-02 | 2 | 2 | 2 | 2 | 2 | 2 | 2 | 2 | |
| 25 | SIDE PANEL (RIGHT) | SS | 211669G02 | 1 | x1 | | | | | | | |
| | | SS | 2A0226G01 | | o1 | 1 | 1 | 1 | 1 | 1 | 1 | |
| 26 | SIDE PANEL (LEFT) | SS | 211670G02 | 1 | x1 | | | | | | | |
| | | SS | 2A0225G01 | | o1 | 1 | 1 | 1 | 1 | 1 | 1 | |
| 27 | TOP PANEL | SS | 213544-04 | 1 | x1 | | | | | | | |
| | | SS | 213544-01 | | o1 | 1 | 1 | 1 | 1 | 1 | 1 | |
| 28 | FRONT COVER | SS | 321361-01 | 1 | 1 | 1 | 1 | 1 | 1 | x1 | | |
| | | SS | 3A0803-01 | | | | | | | o1 | 1 | |
| 29 | LOUVER (B) | P.P | 103121-01 | 2 | x2 | | | | | | | |
| | | P.P | 103121-03 | | o2 | 2 | 2 | 2 | 2 | 2 | 2 | |
| 30 | CABLE TIE | CV-150 | 7920-0003 | 3 | 3 | 3 | 3 | 3 | 3 | 3 | 3 | |
| 31 | SQUARE WASHER | BRASS | 433537-02 | 2 | 2 | 2 | 2 | 2 | 2 | 2 | 2 | |
| 32 | BRACE | GS | 433469-01 | 2 | - | | | | | | | |
| 33 | TAPPING SCREW - BLACK | STEEL, 4 x 8 | 433954-01 | 2 | 2 | 2 | 2 | 2 | 2 | 2 | 2 | |
| 34 | BRACKET - GEAR MOTOR | SS | 327175G01 | 1 | 1 | x1 | | | | | | |
| | | GS | 3A0396G01 | | | o1 | 1 | 1 | 1 | 1 | 1 | |

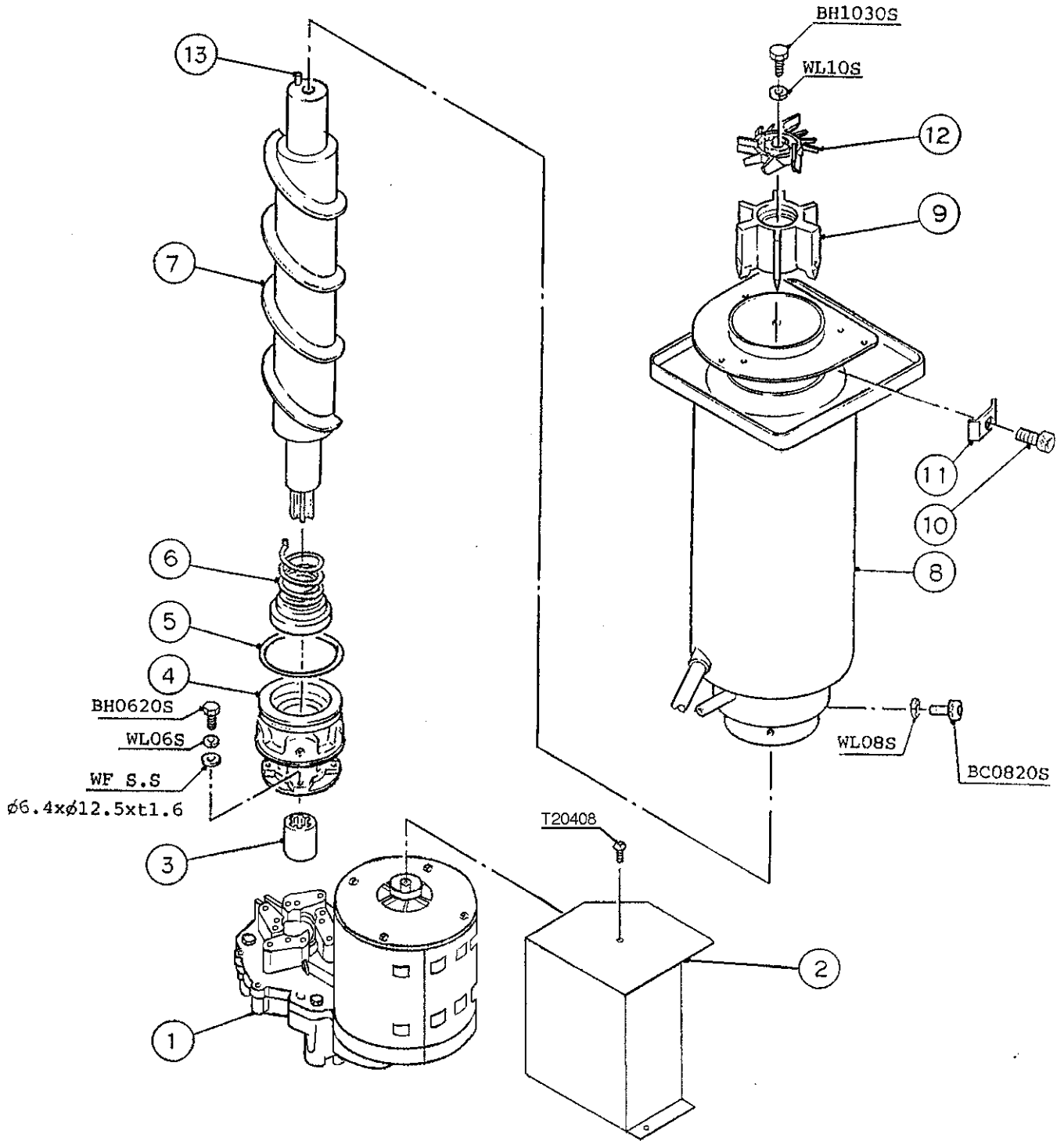
HA

F-1000MAE(-C), MWE(-C), MRE(-C)

B. EVAPORATOR ASSEMBLY

D-1, D-2, E-0,
E-1, F-0



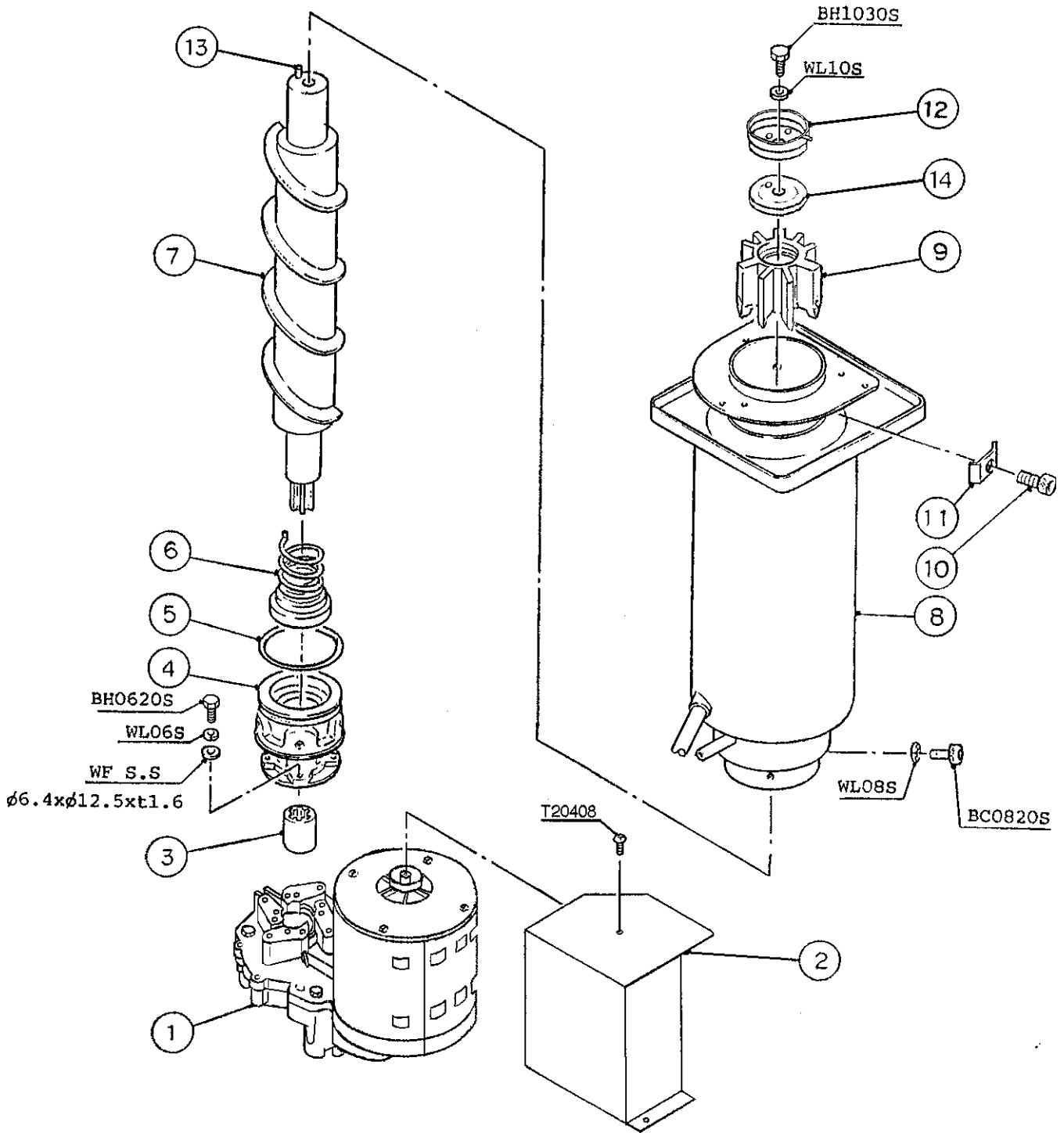


HA

F-1000MAE(-C), MWE(-C), MRE(-C)

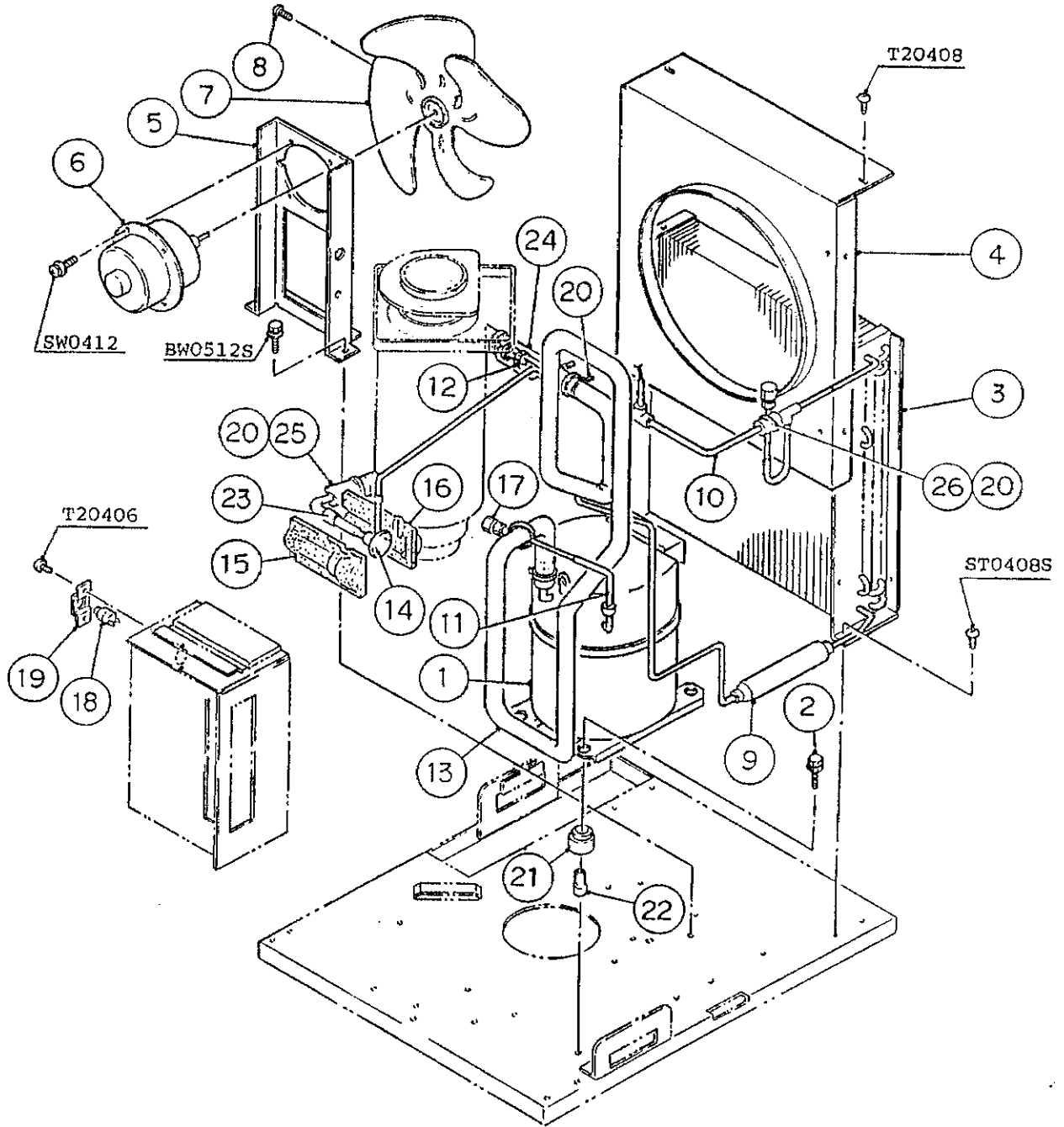
B. EVAPORATOR ASSEMBLY

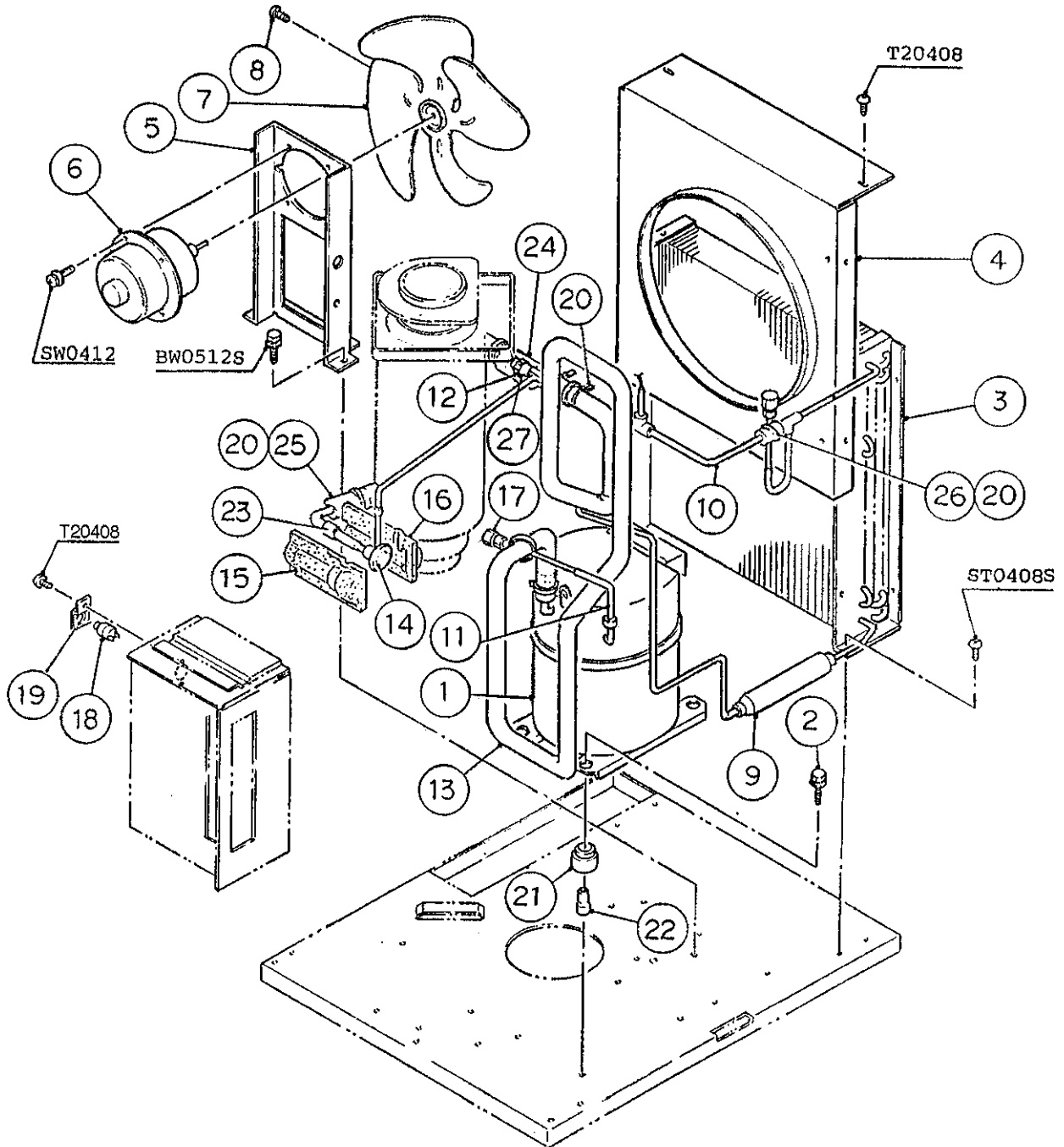
F-2, G-0, G-1

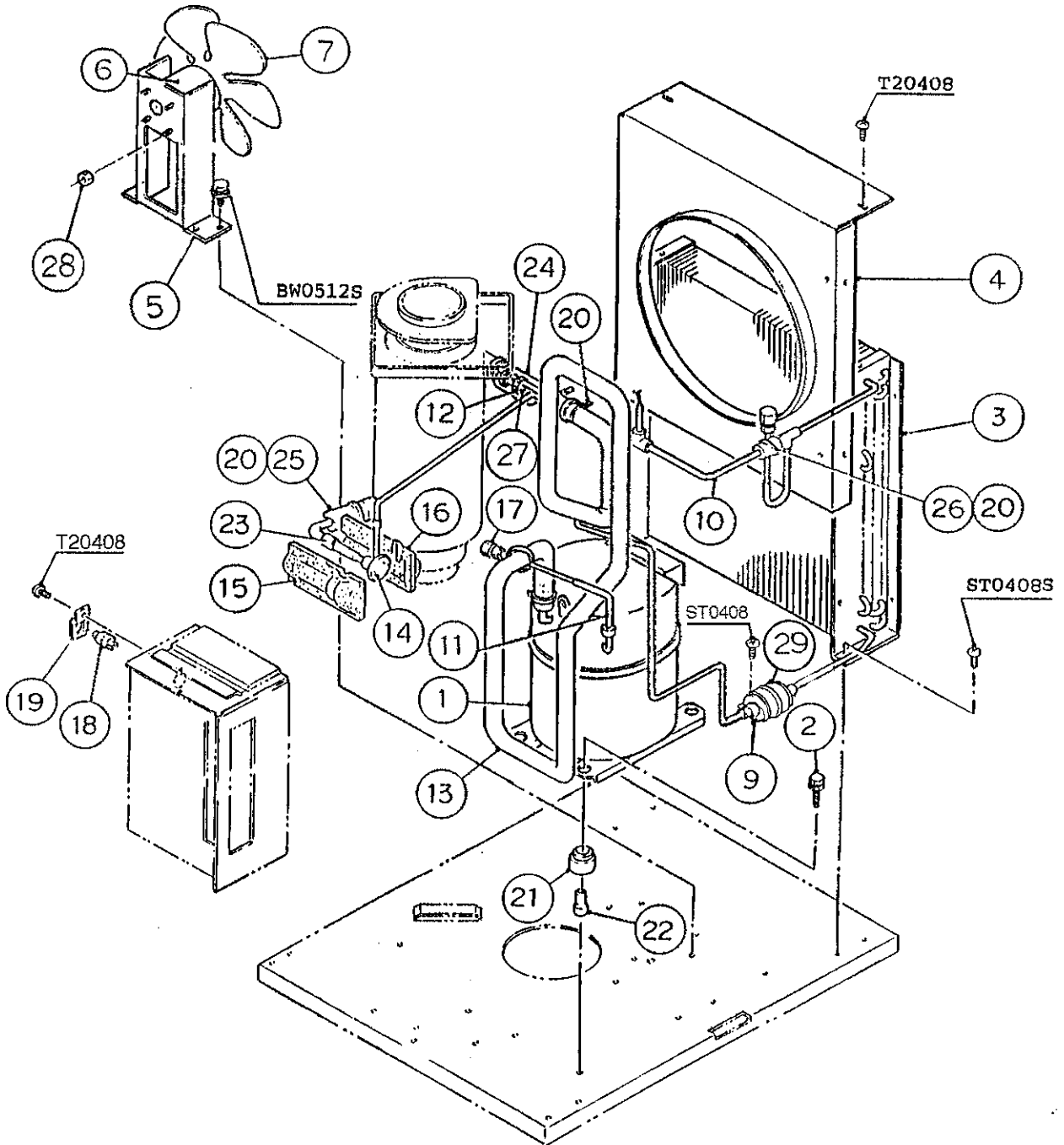


| MODEL: F-100MAE, MWE, MRE TITLE: B. EVAPORATOR ASSEMBLY | | | | | | | | | | | | | |
|---|-----------------------|--------------------------|-------------|------------------------|-------------------------|------------|------------|-----|-----|-----|-----|-----|-----|
| INDEX NO. | DESCRIPTION | MATERIAL OR MODEL NUMBER | PART NUMBER | REQUIRED NUMBER | | | | | | | | | |
| | | | | D10501 through D10535L | D10536M through D11126J | D-2 E-0 | E-1 F-0 | F-1 | F-2 | G-0 | G-1 | G-2 | H-2 |
| 1 | GEAR MOTOR | TC 111, 120V 100W | 2U0140-01 | 1 | 1 | 1 | 1 | - | | | | | |
| | | - | 4A0897-01 | | | | | 1 | 1 | 1 | 1 | - | |
| | | - | 4A0897-02 | | | | | | | | | 1 | |
| 2 | BARRIER - GEAR MOTOR | GS | 321350-01 | 1 | 1 | 1 | 1 | - | | | | | |
| | | GS | 3A0560-01 | | | | | 1 | 1 | 1 | 1 | - | |
| | | GS | 3A1037-01 | | | | | | | | | 1 | |
| 3 | COUPLING - SPLINE | SS | 418316-01 | 1 | 1 | 1 | 1 | 1 | 1 | 1 | 1 | 1 | |
| 4 | BEARING (LOWER) | - | 211461G01 | 1 | 1 | 1 | 1 | x1 | | | | | |
| | HOUSING | - | 211461G01 | | | | | o1 | 1 | 1 | 1 | 1 | |
| 5 | "O" RING | G75 | 7616-G075 | 1 | 1 | 1 | 1 | 1 | 1 | 1 | 1 | 1 | |
| 6 | MECHANICAL SEAL | HK9A-MN | 432492-01 | 1 | 1 | 1 | 1 | 1 | 1 | 1 | 1 | 1 | |
| 7 | AUGER | SS | 218738G01 | 1 | - | | | | | | | | |
| | | SS | 218738G02 | | 1 | 1 | 1 | 1 | 1 | 1 | 1 | 1 | |
| 8 | EVAPORATOR | - | 321036G01 | 1 | 1 | 1 | 1 | 1 | 1 | 1 | x1 | | |
| | | - | 228202G01 | | | | | | | | o1 | 1 | x1 |
| | | - | 2A1248G01 | | | | | | | | | | o1 |
| 9 | EXTRUDING HEAD / 80F | SS | 328801G01 | 1 | 1 | 1 | 1 | 1 | 1 | 1 | 1 | 1 | |
| 10 | SOCKET HEAD CAP SCREW | SS, M10 x 15 | 429121-02 | 3 | 3 | 3 | 3 | 3 | 3 | 3 | 3 | 3 | |
| 11 | WASHER (B) | SS | 428025-01 | 3 | 3 | 3 | 3 | 3 | 3 | 3 | 3 | 3 | |
| 12 | CUTTER | SS | 324824-01 | 1 | 1 | 1 | 1 | 1 | 1 | 1 | 1 | 1 | |
| 13 | DOWEL PIN | SS, 5 x 22 | 713S-0522 | | 1 | 1 | 1 | 1 | 1 | 1 | 1 | 1 | |
| | | | | | | | | | | | | | |
| | | | | | | | | | | | | | |
| | | | | | | | | | | | | | |
| | | | | | | | | | | | | | |
| | | | | | | | | | | | | | |
| | | | | | | | | | | | | | |

| MODEL: F-100MAE-C, MWE-C, MRE-C TITLE: B. EVAPORATOR ASSEMBLY | | | | | | | | | | | | | | |
|---|-----------------------|--------------------------|-------------|-----------------|------------|-----|-----|-----|-----|-----|-----|---|--|--|
| INDEX NO. | DESCRIPTION | MATERIAL OR MODEL NUMBER | PART NUMBER | REQUIRED NUMBER | | | | | | | | | | |
| | | | | E-0 | E-1 F-0 | F-1 | F-2 | G-0 | G-1 | H-2 | J-0 | | | |
| 1 | GEAR MOTOR | TC 111, 120V 100W | 2U0140-01 | 1 | 1 | - | | | | | | | | |
| | | - | 4A0897-01 | | | 1 | 1 | 1 | 1 | - | | | | |
| | | - | 4A0897-02 | | | | | | | | 1 | 1 | | |
| 2 | BARRIER - GEAR MOTOR | GS | 321350-01 | 1 | 1 | - | | | | | | | | |
| | | GS | 3A0560-01 | | | 1 | 1 | 1 | 1 | - | | | | |
| | | GS | 3A1037-01 | | | | | | | | 1 | 1 | | |
| 3 | COUPLING - SPLINE | SS | 418316-01 | 1 | 1 | 1 | 1 | 1 | 1 | 1 | 1 | | | |
| 4 | BEARING (LOWER) | - | 211461G01 | 1 | 1 | x1 | | | | | | | | |
| | HOUSING | - | 211461G01 | | | o1 | 1 | 1 | 1 | 1 | 1 | | | |
| 5 | "O" RING | G75 | 7616-G075 | 1 | 1 | 1 | 1 | 1 | 1 | 1 | 1 | | | |
| 6 | MECHANICAL SEAL | HK9A-MN | 432492-01 | 1 | 1 | 1 | 1 | 1 | 1 | 1 | 1 | | | |
| 7 | AUGER | SS | 218738G01 | - | | | | | | | | | | |
| | | SS | 218738G02 | 1 | 1 | 1 | 1 | 1 | 1 | 1 | 1 | | | |
| 8 | EVAPORATOR | - | 321036G01 | 1 | 1 | 1 | 1 | 1 | x1 | | | | | |
| | | - | 228202G01 | | | | | | | o1 | x1 | | | |
| | | - | 2A1248G01 | | | | | | | | o1 | 1 | | |
| 9 | EXTRUDING HEAD / 80N | SS | 335460G01 | 1 | 1 | 1 | 1 | 1 | 1 | 1 | 1 | | | |
| 10 | SOCKET HEAD CAP SCREW | SS, M10 x 15 | 429121-02 | 3 | 3 | 3 | 3 | 3 | 3 | 3 | 3 | | | |
| 11 | WASHER (B) | SS | 428025-01 | 3 | 3 | 3 | 3 | 3 | 3 | 3 | 3 | | | |
| 12 | CUTTER | SS | 335462G01 | 1 | 1 | 1 | - | | | | | | | |
| | | SS | 3A0538-01 | | | | 1 | 1 | 1 | 1 | 1 | | | |
| 13 | DOWEL PIN | SS, 5 x 22 | 713S-0522 | 1 | 1 | 1 | 1 | 1 | 1 | 1 | 1 | | | |
| 14 | WASHER | SS | 4A0896-01 | | | | 1 | 1 | 1 | 1 | 1 | | | |
| | | | | | | | | | | | | | | |
| | | | | | | | | | | | | | | |
| | | | | | | | | | | | | | | |
| | | | | | | | | | | | | | | |





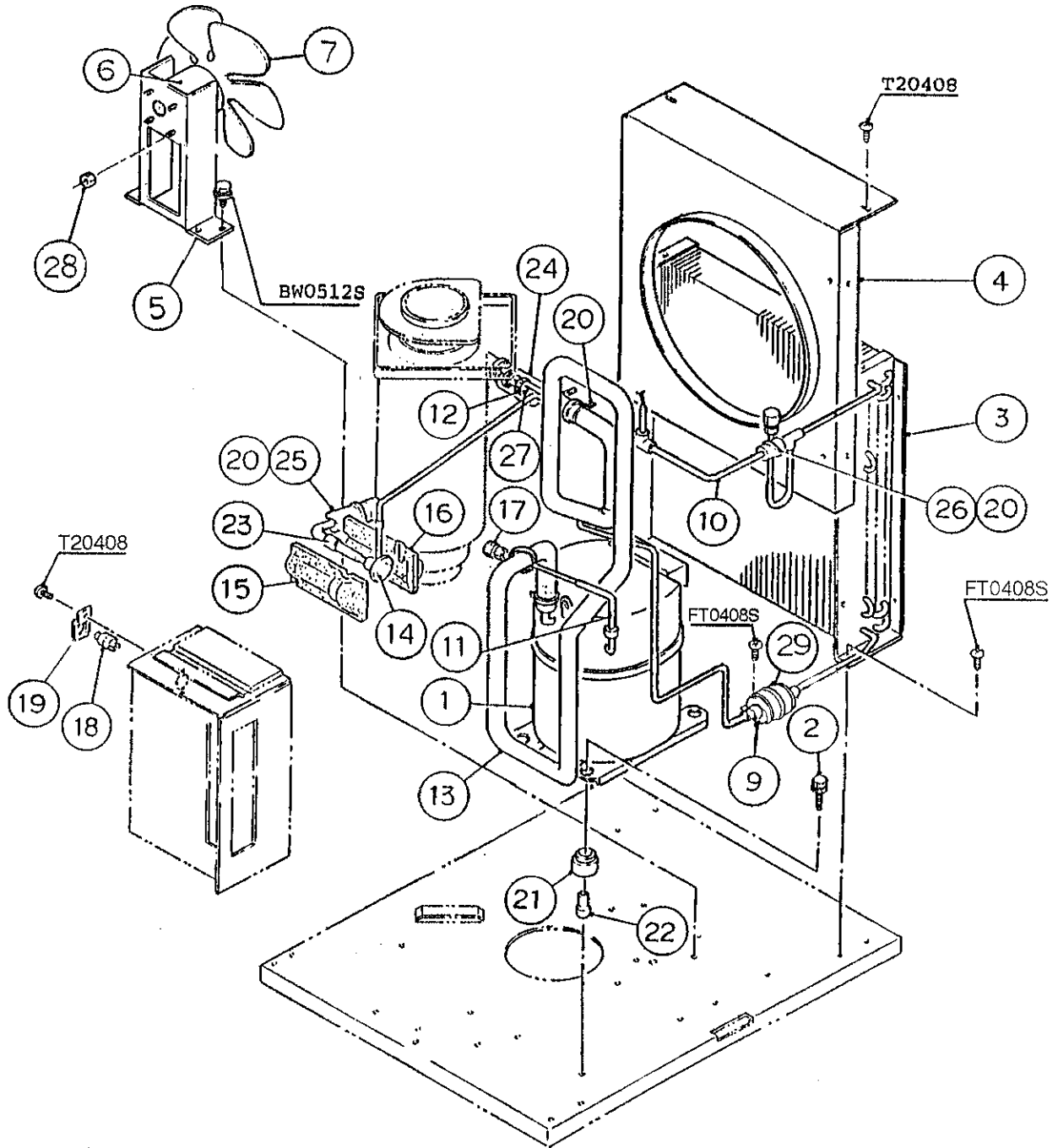


HA

F-1000MAE(-C)

C. REFRIGERATION UNIT

F-0, F-1, F-2, G-0
G-1, G-2, H-2, J-0



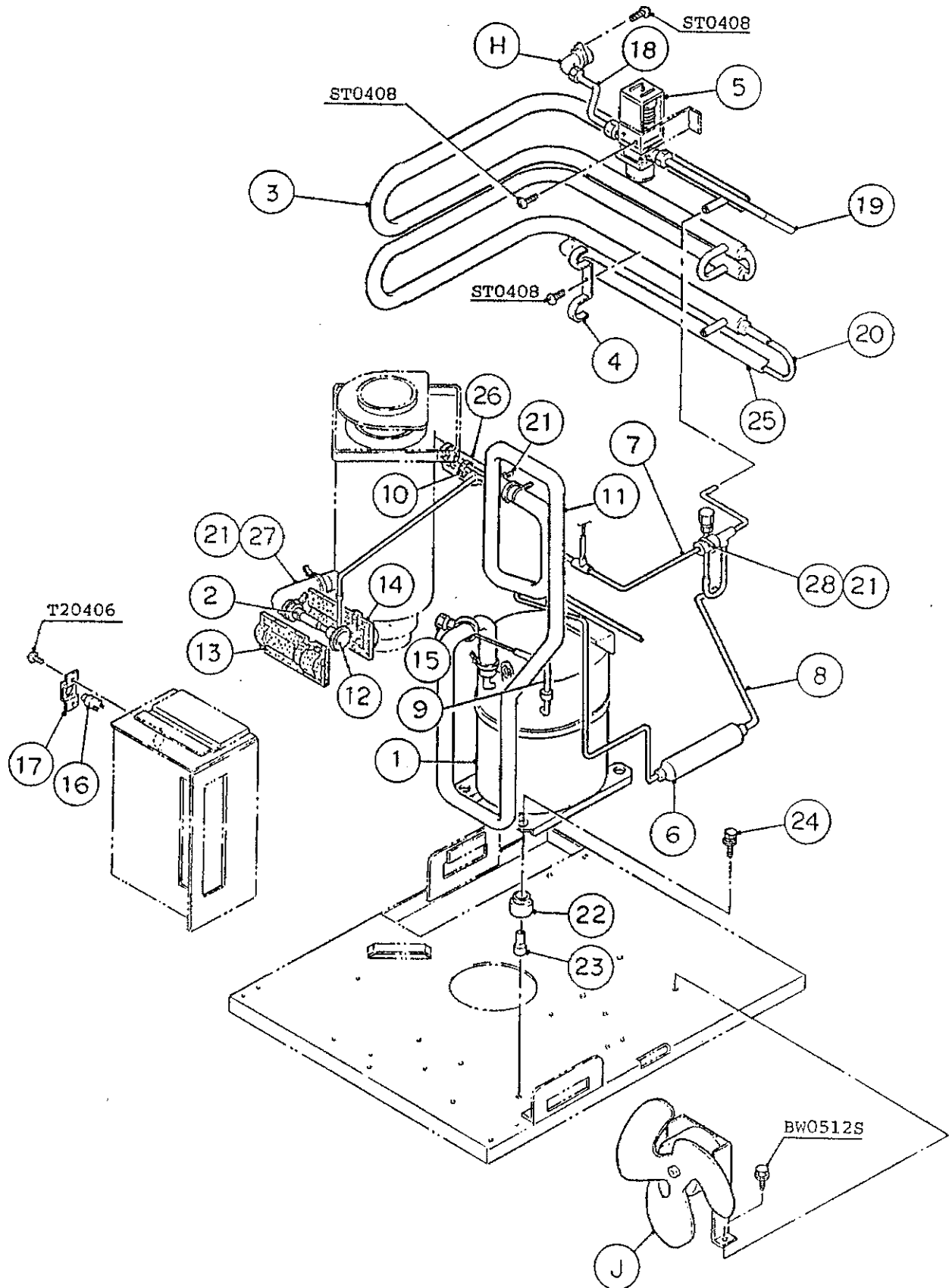
| MODEL: F-100MAE TITLE: C. REFRIGERATION UNIT | | | | | | | | | | | | |
|--|----------------------------|--------------------------|-------------|------------------------|-------------------------|------------|------------|-----|-----|-----|-----|-----|
| INDEX NO. | DESCRIPTION | MATERIAL OR MODEL NUMBER | PART NUMBER | REQUIRED NUMBER | | | | | | | | |
| | | | | D10501 through D10535L | D10536M through D11126J | D-2 E-0 | E-1 F-0 | F-1 | G-0 | G-1 | G-2 | H-2 |
| 1 | COMPRESSOR | REK3-0125 - PFV | 434209-01 | 1 | 1 | 1 | 1 | 1 | 1 | 1 | 1 | 1 |
| 2 | BOLT | 8 x 50 | 436206-01 | 4 | x4 | | | | | | | |
| | | 8 x 45 | 437889-01 | | o4 | 4 | 4 | 4 | 4 | 4 | 4 | 4 |
| 3 | CONDENSER-AIR COOLED | - | 211663-01 | 1 | 1 | x1 | | | | | | |
| | | - | 211663-02 | | | o1 | 1 | 1 | 1 | 1 | 1 | 1 |
| 4 | SHROUD | GS | 211664-01 | 1 | 1 | - | | | | | | |
| | | GS | 2A0449-01 | | | 1 | 1 | 1 | 1 | 1 | 1 | 1 |
| 5 | BRACKET - FAN MOTOR | GS | 321351-01 | 1 | x1 | | | | | | | |
| | | GS | 3A0240-01 | | o1 | - | | | | | | |
| | FAN MOTOR BRACKET | GS | 3A0341-01 | | | 1 | 1 | 1 | 1 | 1 | 1 | 1 |
| 6 | FAN MOTOR | EP- TZ56, 120V, 60 HZ | 2U0090-01 | 1 | 1 | - | | | | | | |
| | | U90B1 | 440911-01 | | | 1 | 1 | 1 | 1 | 1 | 1 | 1 |
| 7 | FAN BLADE | FW-3030PHL | 417068-01 | 1 | 1 | - | | | | | | |
| | | AD12CW25 | 4A0197-01 | | | 1 | 1 | 1 | 1 | 1 | x1 | |
| | | - | 444898-01 | | | | | | | | o1 | 1 |
| 8 | SCREW-FAN BLADE | - | 417068F01 | 1 | 1 | - | | | | | | |
| 9 | DRIER | KC-6749 | 427061-01 | 1 | 1 | - | | | | | | |
| | | C-032-S | 445006-01 | | | 1 | 1 | 1 | 1 | 1 | 1 | 1 |
| 10 | COPPER TUBE - HIGH SIDE | COPPER | 330418G01 | 1 | 1 | 1 | 1 | 1 | 1 | 1 | 1 | 1 |
| 11 | COPPER TUBE - ACCESS VALVE | COPPER | 437909-01 | 1 | x1 | | | | | | | |
| | | COPPER | 434176-01 | | o1 | 1 | 1 | 1 | 1 | 1 | 1 | 1 |
| 12 | CLAMP | D11-S | 435254-04 | 2 | x2 | | | | | | | |
| | | 08 | 443461-01 | | o1 | 1 | 1 | 1 | 1 | 1 | 1 | 1 |
| 13 | COPPER TUBE - LOW SIDE | COPPER | 218876G01 | 1 | - | | | | | | | |
| | | COPPER | 2A0241G01 | | 1 | x1 | | | | | | |
| | | COPPER | 2A0241G02 | | | o1 | 1 | 1 | 1 | 1 | - | |
| | | COPPER | 2A0241G03 | | | | | | | | 1 | 1 |
| 14 | EXPANSION VALVE | HFE-10HHD-4 | 443968-01 | 1 | 1 | 1 | 1 | 1 | 1 | 1 | 1 | 1 |

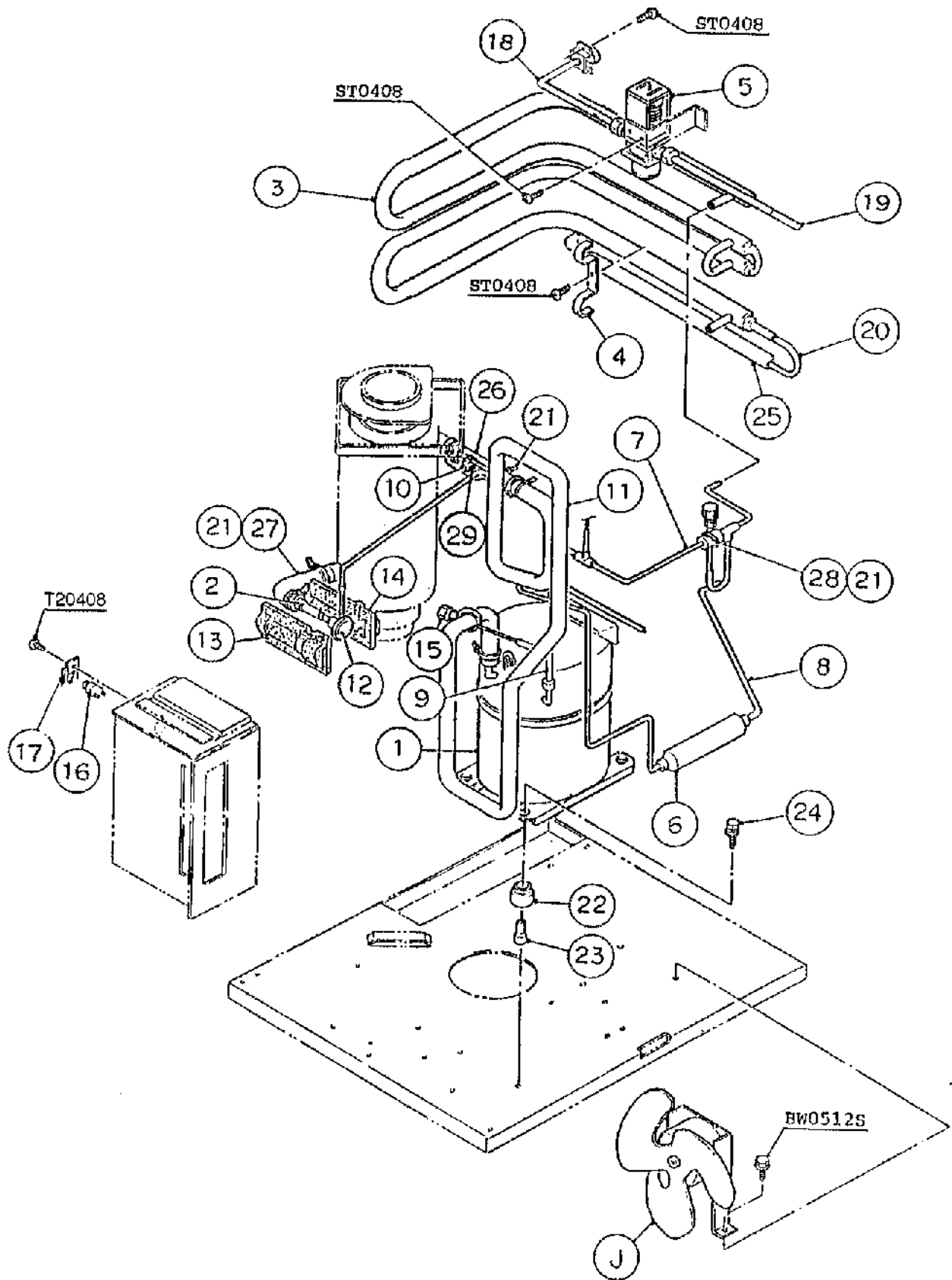
HA

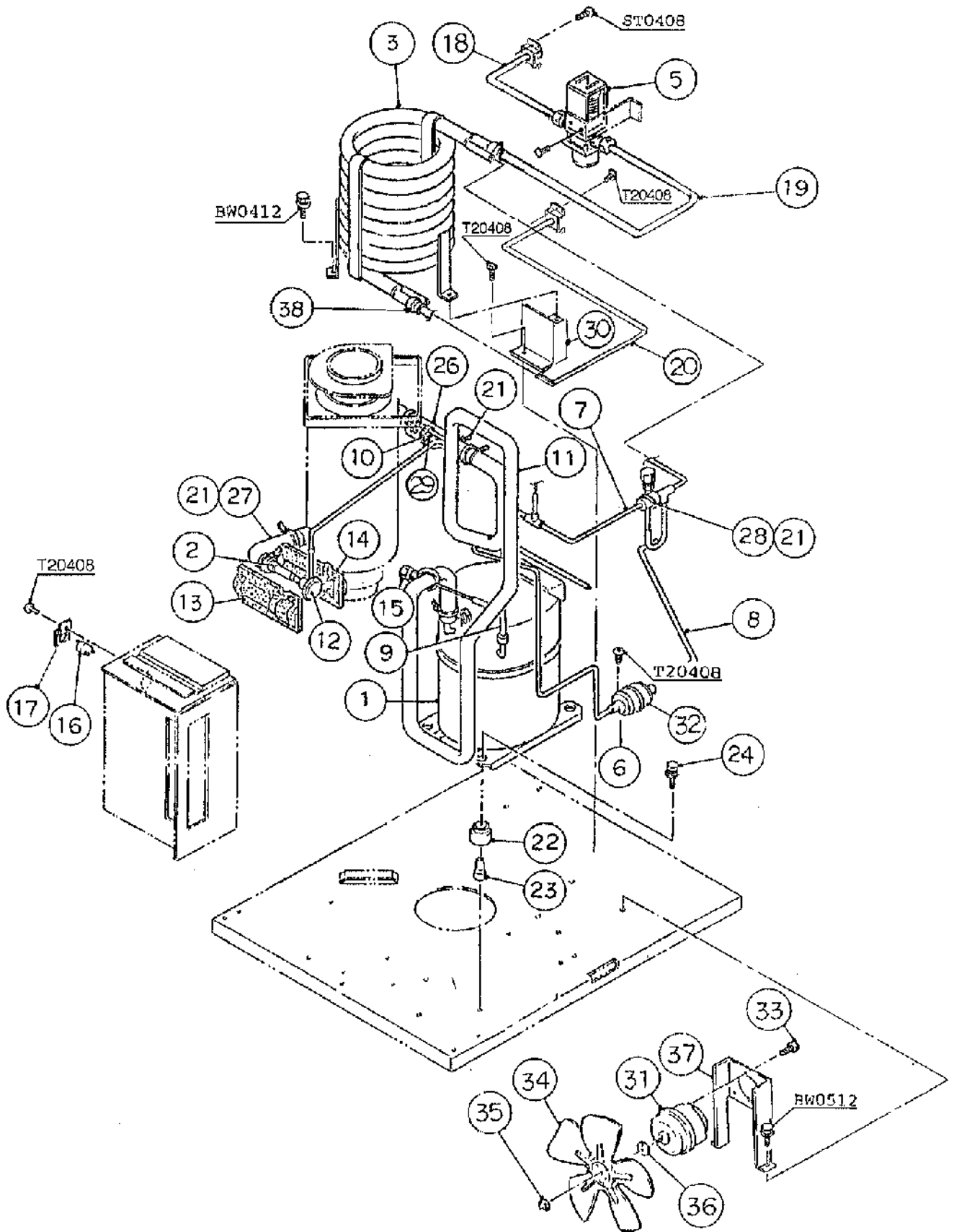
MODEL: **F-1000MAE** TITLE: **C. REFRIGERATION UNIT**

| INDEX NO. | DESCRIPTION | MATERIAL OR MODEL NUMBER | PART NUMBER | REQUIRED NUMBER | | | | | | | | | |
|-----------|--------------------------|--------------------------|---------------------------|------------------------|-------------------------|------------|------------|-----|-----|-----|-----|-----|--|
| | | | | D10501 through D10535L | D10536M through D11126J | D-2 E-0 | E-1 F-0 | F-1 | G-0 | G-1 | G-2 | H-2 | |
| 15 | COVER (A) - EXP. VALVE | PE FOAM | 324313-01 | 1 | 1 | 1 | 1 | x1 | | | | | |
| | EXP. VALVE COVER (A) | PE FOAM | 3A0555-01 | | | | | o1 | 1 | 1 | 1 | 1 | |
| 16 | COVER (B) - EXP. VALVE | PE FOAM | 324313-02 | 1 | 1 | 1 | 1 | x1 | | | | | |
| | EXP. VALVE COVER (A) | PE FOAM | 3A0555-02 | | | | | o1 | 1 | 1 | 1 | 1 | |
| 17 | ACCESS VALVE | TCJ-2F15-HD | 417366-01 | 2 | 2 | 2 | 2 | 2 | 2 | 2 | 2 | 2 | |
| 18 | PRESSURE SWITCH | ACB-2UB05 | 433441-06 | 1 | 1 | 1 | 1 | 1 | 1 | 1 | 1 | 1 | |
| 19 | BRCKT. - PRESSURE SWITCH | GS | 425506-01 | 1 | - | | | | | | | | |
| | PRESSURE SWITCH BRCKT. | GS | 434938-01 | | 1 | 1 | 1 | 1 | 1 | 1 | 1 | 1 | |
| 20 | CABLE TIE | CV-150 | 7920-0003 | 14 | 14 | 14 | 14 | 14 | 14 | 14 | 14 | 14 | |
| 21 | GROMMET | 027-0073-00 | 434403-01 | 4 | 4 | 4 | 4 | 4 | 4 | 4 | 4 | 4 | |
| 22 | SPACER | 027-0072-02 | 434404-01 | 4 | 4 | 4 | 4 | 4 | 4 | 4 | 4 | 4 | |
| 23 | SOCKET | 12.7 | 436578-01 | 1 | 1 | 1 | 1 | 1 | 1 | 1 | 1 | 1 | |
| 24 | INSULATION TUBE | L=130 | 7762-2030 | 1 | x1 | | | | | | | | |
| | | L=130 | 7762-2949 | | o1 | 1 | 1 | 1 | 1 | 1 | 1 | 1 | |
| 25 | INSULATION TUBE | L=170 | 7762-1323 | 1 | x1 | | | | | | | | |
| | | L=170 | 7762-1333 | | o1 | 1 | 1 | 1 | 1 | 1 | 1 | 1 | |
| 26 | INSULATION TUBE | L=30 | 7762-0717 | 1 | 1 | 1 | 1 | 1 | 1 | 1 | 1 | 1 | |
| 27 | HOLDER/EXP.VALVE-1/2 | SS | 3A0112-01 | | 1 | 1 | 1 | 1 | 1 | 1 | 1 | 1 | |
| 28 | SELF- LOCKING NUT | - | 7N21I0832 | | | 4 | 4 | 4 | 4 | 4 | 4 | 4 | |
| 29 | DRIER BRACKET | GS | 445847-01 | | | 1 | 1 | 1 | 1 | 1 | 1 | 1 | |
| | | | | | | | | | | | | | |
| | | | | | | | | | | | | | |
| | | | | | | | | | | | | | |
| | | | | | | | | | | | | | |
| | | | | | | | | | | | | | |
| | | | | | | | | | | | | | |
| | | | | | | | | | | | | | |

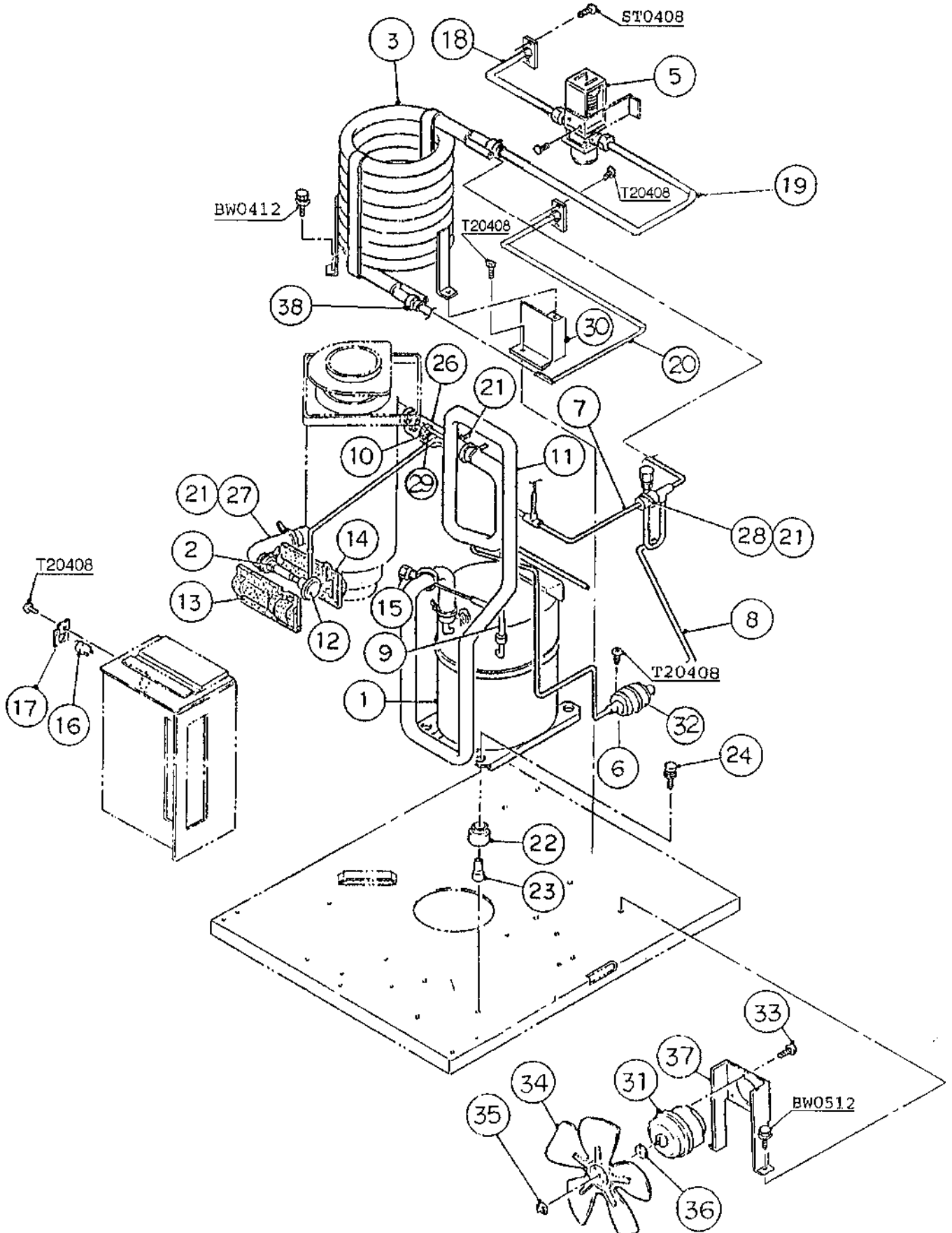
| MODEL: F-100MAE-C TITLE: C. REFRIGERATION UNIT | | | | | | | | | | | | | |
|--|----------------------------|--------------------------|-------------|-----------------|------------|-----|-----|-----|-----|-----|-----|--|--|
| INDEX NO. | DESCRIPTION | MATERIAL OR MODEL NUMBER | PART NUMBER | REQUIRED NUMBER | | | | | | | | | |
| | | | | E-0 | E-1 F-0 | F-1 | F-2 | G-0 | G-1 | H-2 | J-0 | | |
| 1 | COMPRESSOR | REK3-0125 - PFV | 434209-01 | 1 | 1 | 1 | 1 | 1 | 1 | 1 | 1 | | |
| 2 | BOLT | 8 x 45 | 437889-01 | 4 | 4 | 4 | 4 | 4 | 4 | 4 | 4 | | |
| 3 | CONDENSER-AIR COOLED | - | 211663-02 | 1 | 1 | 1 | 1 | 1 | 1 | 1 | 1 | | |
| 4 | SHROUD | GS | 2A0449-01 | 1 | 1 | 1 | 1 | 1 | 1 | 1 | 1 | | |
| 5 | FAN MOTOR BRACKET | GS | 3A0341-01 | 1 | 1 | 1 | 1 | 1 | 1 | 1 | 1 | | |
| 6 | FAN MOTOR | U90B1 | 440911-01 | 1 | 1 | 1 | 1 | 1 | 1 | 1 | 1 | | |
| 7 | FAN BLADE | AD12CW25 | 4A0197-01 | 1 | 1 | 1 | 1 | 1 | x1 | | | | |
| | | - | 444898-01 | | | | | | o1 | 1 | 1 | | |
| 8 | - | - | - | | | | | | | | | | |
| 9 | DRIER | C-032-S | 445006-01 | 1 | 1 | 1 | 1 | 1 | 1 | 1 | 1 | | |
| 10 | COPPER TUBE - HIGH SIDE | COPPER | 330418G01 | 1 | 1 | 1 | 1 | 1 | 1 | 1 | 1 | | |
| 11 | COPPER TUBE - ACCESS VALVE | COPPER | 434176-01 | 1 | 1 | 1 | 1 | 1 | 1 | 1 | 1 | | |
| 12 | CLAMP | 08 | 443461-01 | 1 | 1 | 1 | 1 | 1 | 1 | 1 | 1 | | |
| 13 | COPPER TUBE - LOW SIDE | COPPER | 2A0241G02 | 1 | 1 | 1 | 1 | 1 | - | | | | |
| | | COPPER | 2A0241G03 | | | | | | 1 | 1 | 1 | | |
| 14 | EXPANSION VALVE | HFE-10HHD-4 | 443968-01 | 1 | 1 | 1 | 1 | 1 | 1 | 1 | 1 | | |
| 15 | COVER (A) - EXP. VALVE | PE FOAM | 324313-01 | 1 | 1 | x1 | | | | | | | |
| | EXP. VALVE COVER (A) | PE FOAM | 3A0555-01 | | | o1 | 1 | 1 | 1 | 1 | 1 | | |
| 16 | COVER (B) - EXP. VALVE | PE FOAM | 324313-02 | 1 | 1 | x1 | | | | | | | |
| | EXP. VALVE COVER (A) | PE FOAM | 3A0555-02 | | | o1 | 1 | 1 | 1 | 1 | 1 | | |
| 17 | ACCESS VALVE | TCJ-2F15-HD | 417366-01 | 2 | 2 | 2 | 2 | 2 | 2 | 2 | 2 | | |
| 18 | PRESSURE SWITCH | ACB-2UB05 | 433441-06 | 1 | 1 | 1 | 1 | 1 | 1 | 1 | 1 | | |
| 19 | BRCKT. - PRESSURE SWITCH | GS | 425506-01 | | | | | | | | | | |
| | PRESSURE SWITCH BRCKT. | GS | 434938-01 | 1 | 1 | 1 | 1 | 1 | 1 | 1 | 1 | | |
| 20 | CABLE TIE | CV-150 | 7920-0003 | 14 | 14 | 14 | 14 | 14 | 14 | 14 | 14 | | |
| 21 | GROMMET | 027-0073-00 | 434403-01 | 4 | 4 | 4 | 4 | 4 | 4 | 4 | 4 | | |
| 22 | SPACER | 027-0072-02 | 434404-01 | 4 | 4 | 4 | 4 | 4 | 4 | 4 | 4 | | |
| 23 | SOCKET | 12.7 | 436578-01 | 1 | 1 | 1 | 1 | 1 | 1 | 1 | 1 | | |

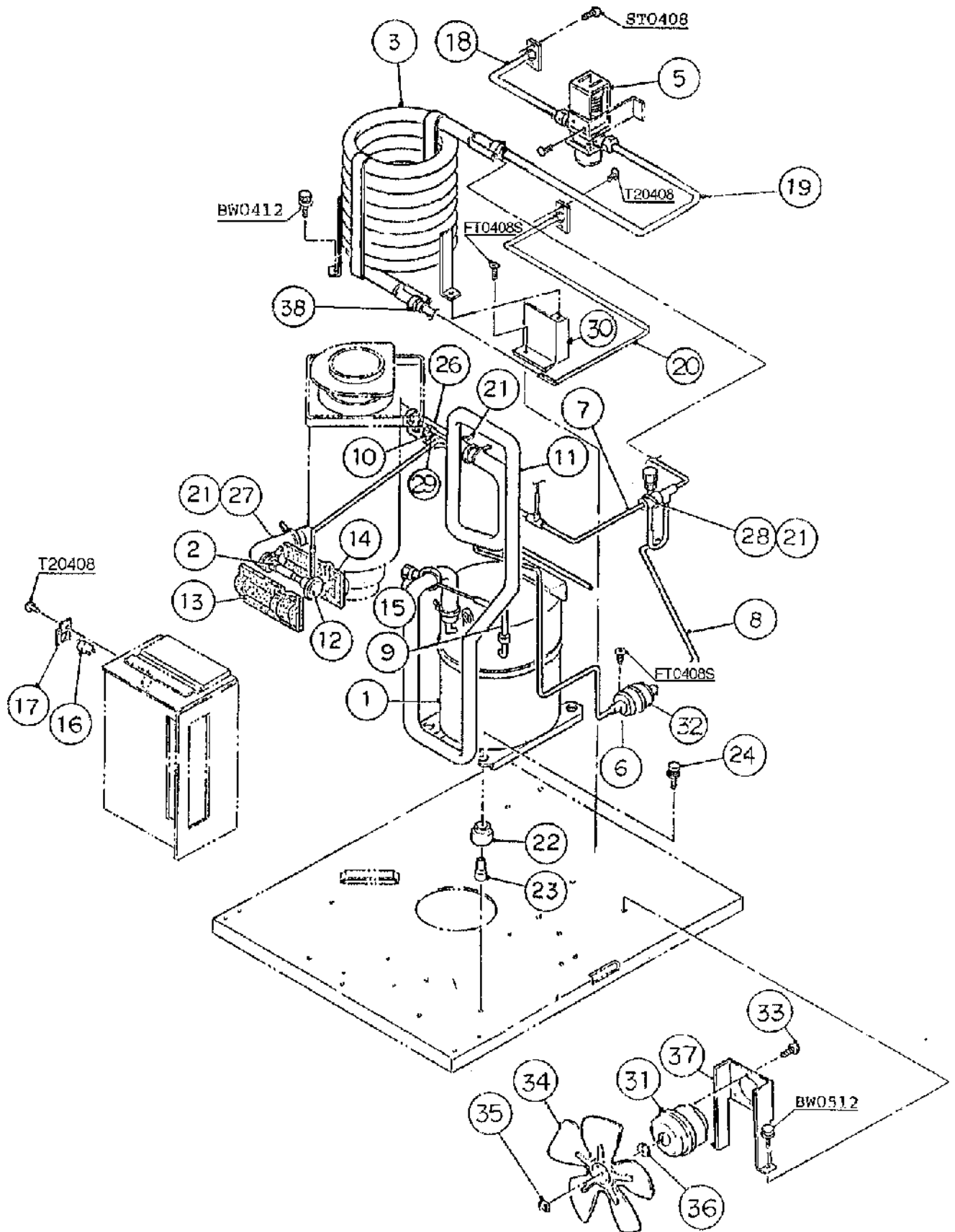






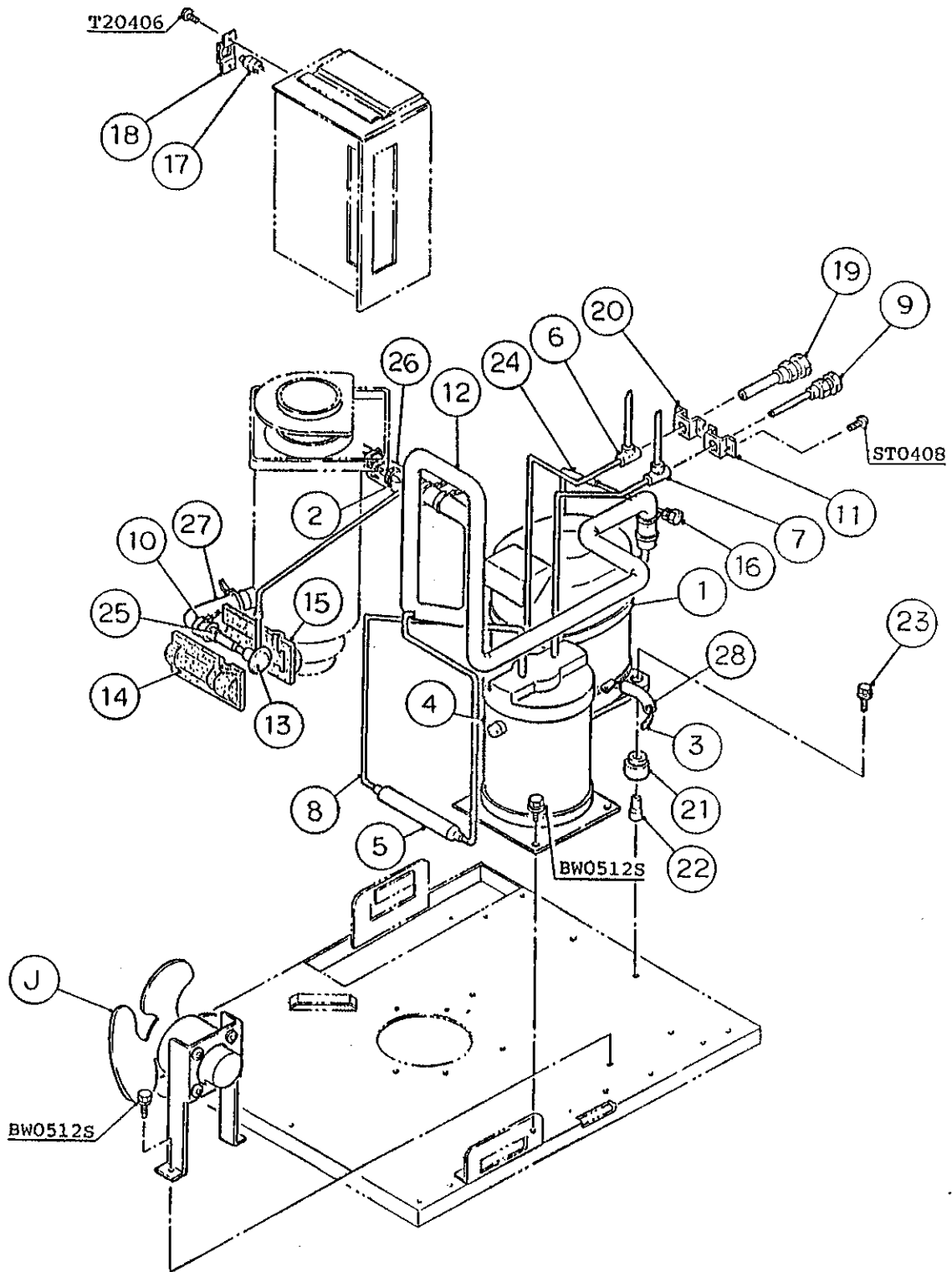
C. REFRIGERATION UNIT

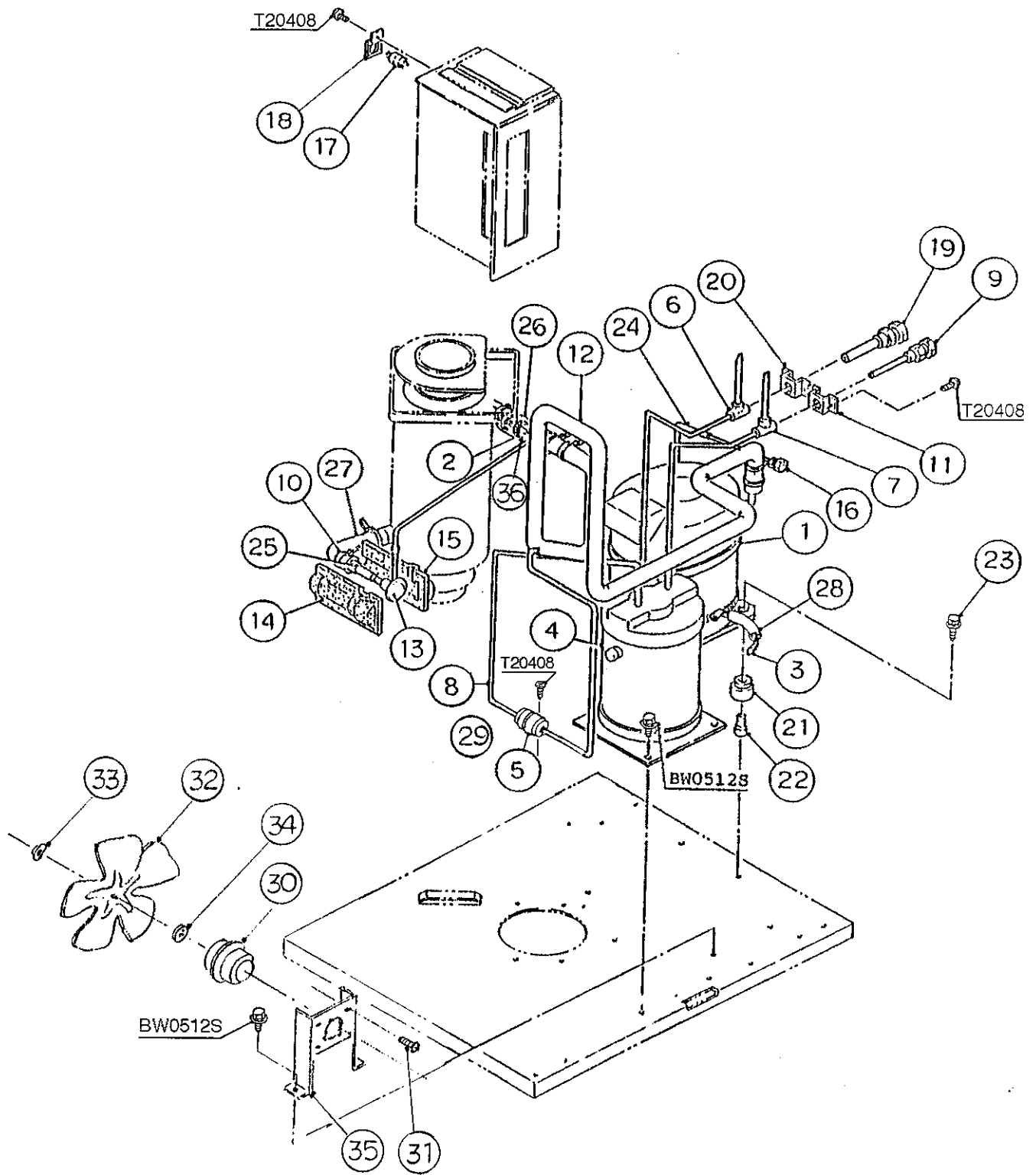


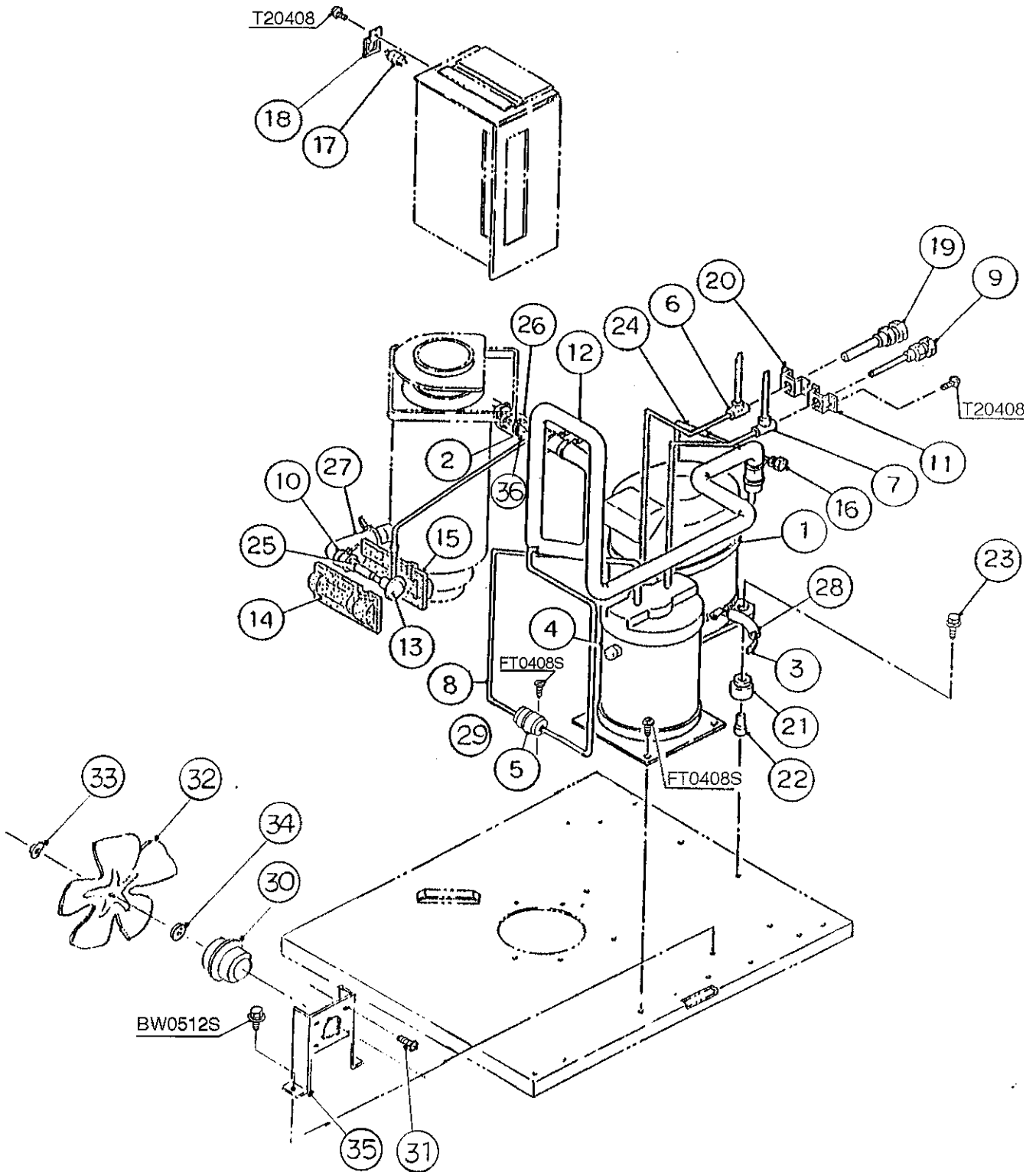


| MODEL: F-1000MWE, MWE-C TITLE: C. REFRIGERATION UNIT | | | | | | | | | | | | |
|--|-----------------------------|--------------------------|-------------|------------------------|-------------------------|------------|------------|-----|-----|-----|-----|--|
| INDEX NO. | DESCRIPTION | MATERIAL OR MODEL NUMBER | PART NUMBER | REQUIRED NUMBER | | | | | | | | |
| | | | | D10501 through D10535L | D10536M through D10650H | D-2 E-0 | E-1 F-0 | F-1 | G-0 | G-1 | H-2 | |
| H | FITTING (U) ASSEMBLY | (S-0382) | 314347A01 | 2 | - | | | | | | | |
| J | FAN MOTOR ASSEMBLY | - | 209823A01 | 1 | x1 | | | | | | | |
| | | - | 3A0248A01 | | o1 | - | | | | | | |
| 1 | COMPRESSOR | REK3-0125-PFV | 434209-01 | 1 | 1 | 1 | 1 | 1 | 1 | 1 | 1 | |
| 2 | SOCKET | 12.7 | 436578-01 | 1 | 1 | 1 | 1 | 1 | 1 | 1 | 1 | |
| 3 | CONDENSER-WATER COOLED | (S-0614) | 211665G01 | 1 | 1 | - | | | | | | |
| | | (S-0725) | 215545G01 | | | 1 | 1 | 1 | 1 | 1 | 1 | |
| 4 | STRAP | GS | 433427-01 | 4 | 4 | - | | | | | | |
| 5 | WATER REGULATOR | WV2-33RHD-1 | 415425-02 | 1 | 1 | 1 | 1 | 1 | 1 | 1 | 1 | |
| 6 | DRIER | KC-6749 | 427061-01 | 1 | 1 | - | | | | | | |
| | | C-032-S | 445006-01 | | | 1 | 1 | 1 | 1 | 1 | 1 | |
| 7 | COPPER TUBE - HIGH SIDE | COPPER | 330445G01 | 1 | x1 | | | | | | | |
| | | COPPER | 3A0342G01 | | o1 | 1 | 1 | 1 | 1 | 1 | 1 | |
| 8 | COPPER TUBE (F) - HIGH SIDE | COPPER | 433419-01 | 1 | 1 | - | | | | | | |
| | | COPPER | 4A0572-01 | | | 1 | 1 | 1 | 1 | 1 | 1 | |
| 9 | COPPER TUBE - ACCESS VALVE | COPPER | 437909-01 | 1 | x1 | | | | | | | |
| | | COPPER | 434176-01 | | o1 | 1 | 1 | 1 | 1 | 1 | 1 | |
| 10 | CLAMP | D11-S | 435254-04 | 2 | x2 | | | | | | | |
| | | 08 | 443461-01 | | o1 | 1 | 1 | 1 | 1 | 1 | 1 | |
| 11 | COPPER TUBE - LOW SIDE | COPPER | 218876G01 | 1 | x1 | | | | | | | |
| | | COPPER | 2A0241G01 | | o1 | - | | | | | | |
| | | COPPER | 2A0241G02 | | | 1 | 1 | 1 | 1 | 1 | 1 | |
| 12 | EXPANSION VALVE | HFE-10HHD-4 | 443968-01 | 1 | 1 | 1 | 1 | 1 | 1 | 1 | 1 | |
| 13 | COVER (A) - EXP. VALVE | PE FOAM | 324313-01 | 1 | 1 | 1 | 1 | x1 | | | | |
| | EXP. VALVE COVER (A) | PE FOAM | 3A0555-01 | | | | | o1 | 1 | 1 | 1 | |

| MODEL: F-1000MWE, MWE-C TITLE: C. REFRIGERATION UNIT | | | | | | | | | | | | |
|--|---------------------------|--------------------------|---------------------------|------------------------|-------------------------|------------|------------|-----|-----|-----|-----|--|
| INDEX NO. | DESCRIPTION | MATERIAL OR MODEL NUMBER | PART NUMBER | REQUIRED NUMBER | | | | | | | | |
| | | | | D10501 through D10535L | D10536M through D10650H | D-2 E-0 | E-1 F-0 | F-1 | G-0 | G-1 | H-2 | |
| 14 | COVER (B) - EXP. VALVE | PE FOAM | 324313-02 | 1 | 1 | 1 | 1 | x1 | | | | |
| | EXP. VALVE COVER (B) | PE FOAM | 3A0555-02 | | | | | o1 | 1 | 1 | 1 | |
| 15 | ACCESS VALVE | TCJ-2F15-HD | 417366-01 | 1 | 1 | 1 | 1 | 1 | 1 | 1 | 1 | |
| 16 | PRESSURE SWITCH | ACB-2UB05 | 433441-06 | 1 | 1 | 1 | 1 | 1 | 1 | 1 | 1 | |
| 17 | BRACKET - PRESSURE SWITCH | GS | 425506-01 | 1 | - | | | | | | | |
| | PRESS. SWITCH BRACKET | GS | 434938-01 | | 1 | 1 | 1 | 1 | 1 | 1 | 1 | |
| 18 | WATER PIPE (A) | COPPER | 433424G01 | 1 | - | | | | | | | |
| | | COPPER | 4A0383G01 | | 1 | 1 | - | | | | | |
| | | COPPER | 4A0778G01 | | | | 1 | 1 | 1 | 1 | 1 | |
| 19 | WATER PIPE (B) | COPPER | 433425G01 | 1 | 1 | - | | | | | | |
| | | COPPER | 4A0570G01 | | | 1 | 1 | 1 | 1 | 1 | 1 | |
| 20 | WATER PIPE (C) | COPPER | 433426-01 | 1 | - | | | | | | | |
| | | COPPER | 3A0251G01 | | 1 | - | | | | | | |
| | | COPPER | 3A0343G01 | | | 1 | - | | | | | |
| | | COPPER | 3A0465G01 | | | | 1 | 1 | 1 | 1 | 1 | |
| 21 | CABLE TIE | CV-150 | 7920-0003 | 13 | 13 | 13 | 13 | 13 | 13 | 13 | 13 | |
| 22 | GROMMET | 027-0073-00 | 434403-01 | 4 | 4 | 4 | 4 | 4 | 4 | 4 | 4 | |
| 23 | SPACER | 027-0072-02 | 434404-01 | 4 | 4 | 4 | 4 | 4 | 4 | 4 | 4 | |
| 24 | BOLT | 8 x 50 | 436206-01 | 4 | x4 | | | | | | | |
| | | 8 x 45 | 437889-01 | | o4 | 4 | 4 | 4 | 4 | 4 | 4 | |
| 25 | INSULATION TUBE | L=610 | 7762-1020 | 1 | x1 | | | | | | | |
| | | L=770 | 7762-1030 | | o1 | 1 | 1 | 1 | 1 | 1 | 1 | |
| 26 | INSULATION TUBE | L=130 | 7762-2030 | 1 | x1 | | | | | | | |
| | | L=130 | 7762-2943 | | o1 | 1 | 1 | 1 | 1 | 1 | 1 | |
| 27 | INSULATION TUBE | L=170 | 7762-1323 | 1 | x1 | | | | | | | |
| | | L=170 | 7762-1333 | | o1 | 1 | 1 | 1 | 1 | 1 | 1 | |
| 28 | INSULATION TUBE | L=30 | 7762-0717 | 1 | 1 | 1 | 1 | 1 | 1 | 1 | 1 | |
| 29 | HOLDER/EXP.VALVE-1/2 | SS | 3A0112-01 | | 1 | 1 | 1 | 1 | 1 | 1 | 1 | |

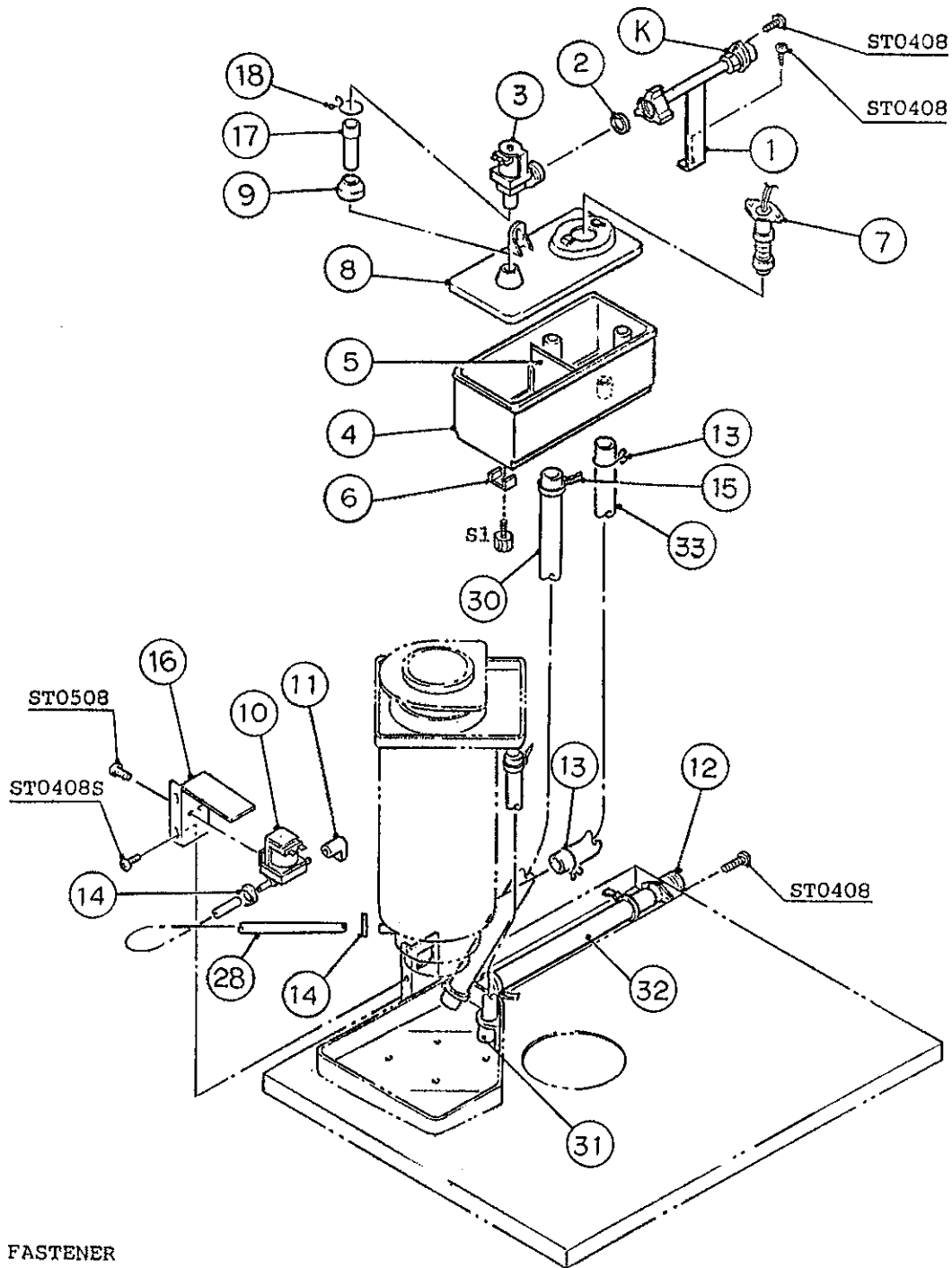






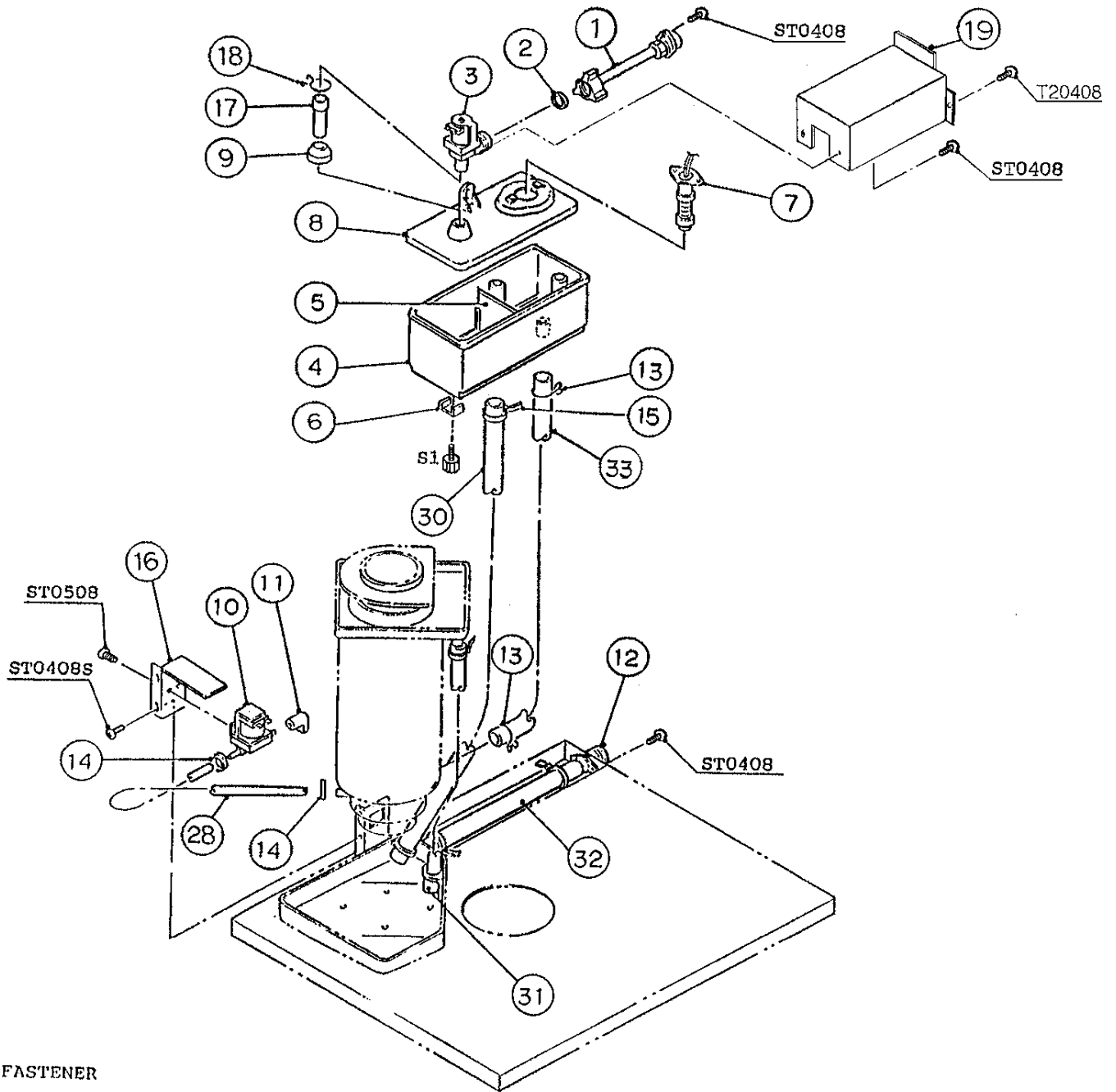
| MODEL: F-1000MRE, MRE-C TITLE: C. REFRIGERATION UNIT | | | | | | | | | | | | |
|--|-----------------------------|--------------------------|-------------|------------------------|-------------------------|-----|------------|-----|-----|-----|-----|-----|
| INDEX NO. | DESCRIPTION | MATERIAL OR MODEL NUMBER | PART NUMBER | REQUIRED NUMBER | | | | | | | | |
| | | | | D10501 through D10535L | D10536M through D10650H | D-2 | E-1 F-0 | F-1 | F-2 | G-0 | G-1 | H-2 |
| J | FAN MOTOR ASSEMBLY | - | 209823A01 | 1 | x1 | | | | | | | |
| | | - | 3A0248A01 | | o1 | - | | | | | | |
| 1 | COMPRESSOR | REK3-0125-PFV | 434209-01 | 1 | 1 | 1 | 1 | 1 | 1 | 1 | 1 | 1 |
| 2 | CLAMP | D11-S | 435254-04 | 2 | x1 | | | | | | | |
| | | 08 | 443461-01 | | o1 | 1 | 1 | 1 | 1 | 1 | 1 | 1 |
| 3 | CRANKCASE HEATER | 018-0038-0045W,120V | 434186-01 | 1 | 1 | 1 | 1 | 1 | 1 | 1 | 1 | 1 |
| 4 | RECEIVER TANK | RR MN | 437652-01 | 1 | 1 | 1 | 1 | 1 | 1 | 1 | 1 | 1 |
| 5 | DRIER | KC-6749 | 427061-01 | 1 | 1 | - | | | | | | |
| | | C-032-S | 445006-01 | | | 1 | 1 | 1 | 1 | 1 | 1 | 1 |
| 6 | COPPER TUBE(A)- HIGH SIDE | COPPER | 324095G01 | 1 | x1 | | | | | | | |
| | | COPPER | 3A0244G01 | | o1 | 1 | 1 | 1 | 1 | 1 | 1 | 1 |
| 7 | COPPER TUBE (B) - HIGH SIDE | COPPER | 324096G02 | 1 | x1 | | | | | | | |
| | | COPPER | 3A0243G01 | | o1 | 1 | 1 | 1 | 1 | 1 | 1 | 1 |
| 8 | COPPER TUBE(C)- HIGH SIDE | COPPER | 436830G02 | 1 | 1 | - | | | | | | |
| | | COPPER | 4A0573G01 | | | 1 | 1 | 1 | 1 | 1 | 1 | 1 |
| 9 | COUPLING | COPPER | 433751G01 | 1 | 1 | 1 | 1 | 1 | 1 | 1 | 1 | 1 |
| 10 | CABLE TIE | CV-150 | 7920-0003 | 9 | 9 | 9 | 9 | 9 | 9 | 9 | 9 | 9 |
| 11 | BRACKET - TUBE | GS | 425507-01 | 1 | x1 | | | | | | | |
| | TUBE HOLDER - S | GS | 438246-01 | | o1 | 1 | 1 | 1 | 1 | 1 | 1 | 1 |
| 12 | COPPER TUBE - LOW SIDE | COPPER | 218878G01 | 1 | x1 | | | | | | | |
| | | COPPER | 3A0250G01 | | o1 | 1 | 1 | 1 | 1 | 1 | 1 | 1 |
| 13 | EXPANSION VALVE | HFE-10HHD-4 | 443968-01 | 1 | 1 | 1 | 1 | 1 | 1 | 1 | 1 | 1 |
| 14 | COVER (A) - EXP. VALVE | PE FOAM | 324313-01 | 1 | 1 | 1 | 1 | x1 | | | | |
| | EXP. VALVE COVER (A) | PE FOAM | 3A0555-01 | | | | | o1 | 1 | 1 | 1 | 1 |
| 15 | COVER (B) - EXP. VALVE | PE FOAM | 324313-02 | 1 | 1 | 1 | 1 | x1 | | | | |
| | EXP. VALVE COVER (B) | PE FOAM | 3A0555-02 | | | | | o1 | 1 | 1 | 1 | 1 |
| 16 | ACCESS VALVE | TCJ-2F15-HD | 417366-01 | 1 | 1 | 1 | 1 | 1 | 1 | 1 | 1 | 1 |

| MODEL: F-1000MRE, MRE-C TITLE: C. REFRIGERATION UNIT | | | | | | | | | | | | |
|--|----------------------------|--------------------------|---------------------------|---------------------------|-------------------------|-----|------------|-----|-----|-----|-----|-----|
| INDEX NO. | DESCRIPTION | MATERIAL OR MODEL NUMBER | PART NUMBER | REQUIRED NUMBER | | | | | | | | |
| | | | | D10501 through D10535L | D10536M through D10650H | D-2 | E-1 F-0 | F-1 | F-2 | G-0 | G-1 | H-2 |
| 17 | PRESSURE SWITCH | ACB-2UB05 | 433441-06 | 1 | 1 | 1 | 1 | 1 | 1 | 1 | 1 | 1 |
| 18 | BRCKT. - PRESSURE SWITCH | GS | 425506-01 | 1 | - | | | | | | | |
| | PRESSURE SWITCH BRCKT. | GS | 434938-01 | | 1 | 1 | 1 | 1 | 1 | 1 | 1 | 1 |
| 19 | COUPLING (MALE) | BRASS | 434132G01 | 1 | 1 | 1 | 1 | 1 | 1 | 1 | 1 | 1 |
| 20 | TUBE HOLDER | GS | 434104-01 | 1 | x1 | | | | | | | |
| | TUBE HOLDER-L | GS | 438245-01 | | o1 | 1 | 1 | 1 | 1 | 1 | 1 | 1 |
| 21 | GROMMET | 027-0073-00 | 434403-01 | 4 | 4 | 4 | 4 | 4 | 4 | 4 | 4 | 4 |
| 22 | SPACER | 027-0072-02 | 434404-01 | 4 | 4 | 4 | 4 | 4 | 4 | 4 | 4 | 4 |
| 23 | BOLT | 8 x 50 | 436206-01 | 4 | x4 | | | | | | | |
| | | 8 x 45 | 437889-01 | | o4 | 4 | 4 | 4 | 4 | 4 | 4 | 4 |
| 24 | COPPER TUBE - ACCESS VALVE | COPPER | 437909-01 | 1 | x1 | | | | | | | |
| | | COPPER | 434176-01 | | o1 | 1 | 1 | 1 | 1 | 1 | 1 | 1 |
| 25 | SOCKET | 12.7 | 436578-01 | 1 | 1 | 1 | 1 | 1 | 1 | 1 | 1 | 1 |
| 26 | INSULATION TUBE | L=130 | 7762-2030 | 1 | x1 | | | | | | | |
| | | L=130 | 7762-2943 | | 01 | 1 | 1 | 1 | 1 | 1 | 1 | 1 |
| 27 | INSULATION TUBE | L=170 | 7762-1323 | 1 | x1 | | | | | | | |
| | | L=170 | 7762-1333 | | 01 | 1 | 1 | 1 | 1 | 1 | 1 | 1 |
| 28 | INSULATION TUBE | L=150 | 104722-36 | 1 | x1 | | | | | | | |
| | | SILICONE HOSE | L=150 | 7730I3812 | | 01 | 1 | 1 | 1 | 1 | 1 | 1 |
| 29 | DRIER BRACKET | GS | 445847-01 | | | 1 | 1 | 1 | 1 | 1 | 1 | 1 |
| 30 | FAN MOTOR | SP-B8HBER16 | 440917-01 | | | 1 | 1 | 1 | 1 | 1 | 1 | 1 |
| 31 | SCREW | 122A556AC | 436863-01 | | | 3 | 3 | 3 | 3 | 3 | 3 | 3 |
| 32 | FAN BLADE | 20569-18 | 435481-01 | | | 1 | 1 | 1 | 1 | 1 | 1 | 1 |
| 33 | NUT | K-5869099AA | 435982-01 | | | 1 | 1 | 1 | 1 | 1 | 1 | 1 |
| 34 | WASHER | 122A542AB | 435983-01 | | | 1 | 1 | 1 | 1 | 1 | 1 | 1 |
| 35 | FAN MOTOR BRACKET | GS | 3A0171-01 | | | 1 | 1 | 1 | 1 | 1 | 1 | x1 |
| | | GS | 3A0171-02 | | | | | | | | | o1 |
| 36 | HOLDER/EXP. VALVE-1/2 | SS | 3A0112-01 | | 1 | 1 | 1 | 1 | 1 | 1 | 1 | 1 |



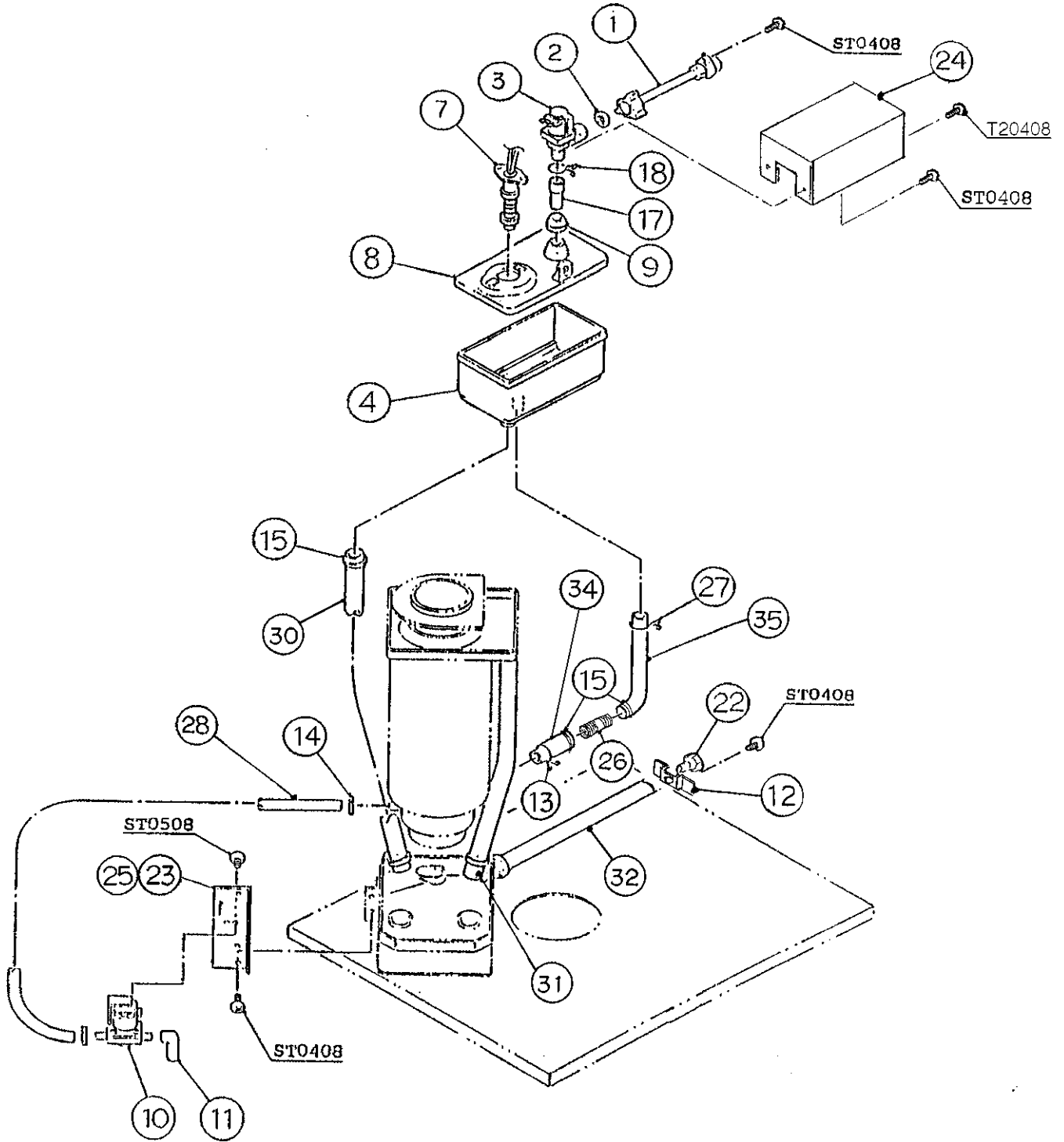
FASTENER

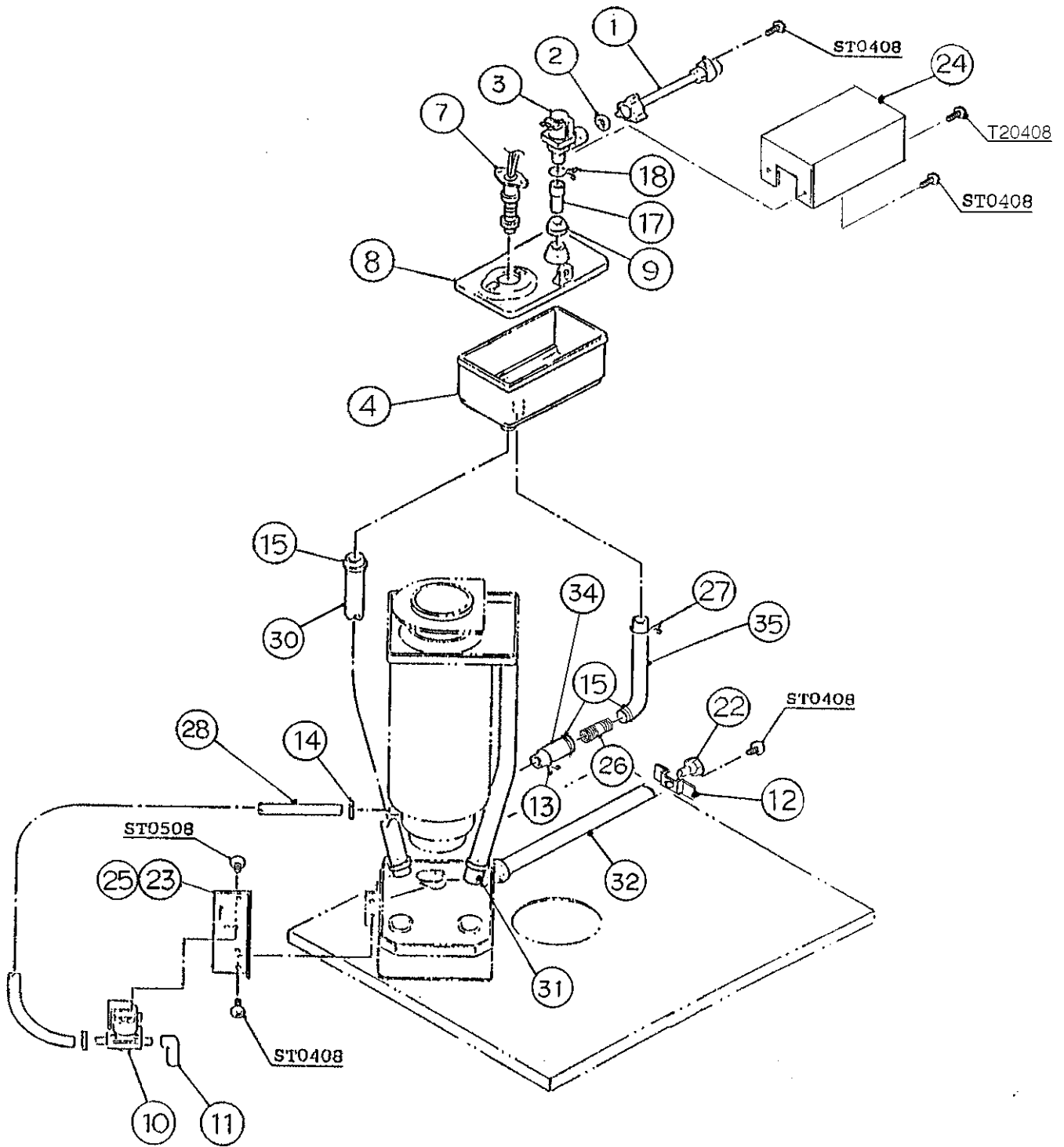
S1 - Thumbscrew, M4x6



FASTENER

S1 - Thumbscrew, M4x6



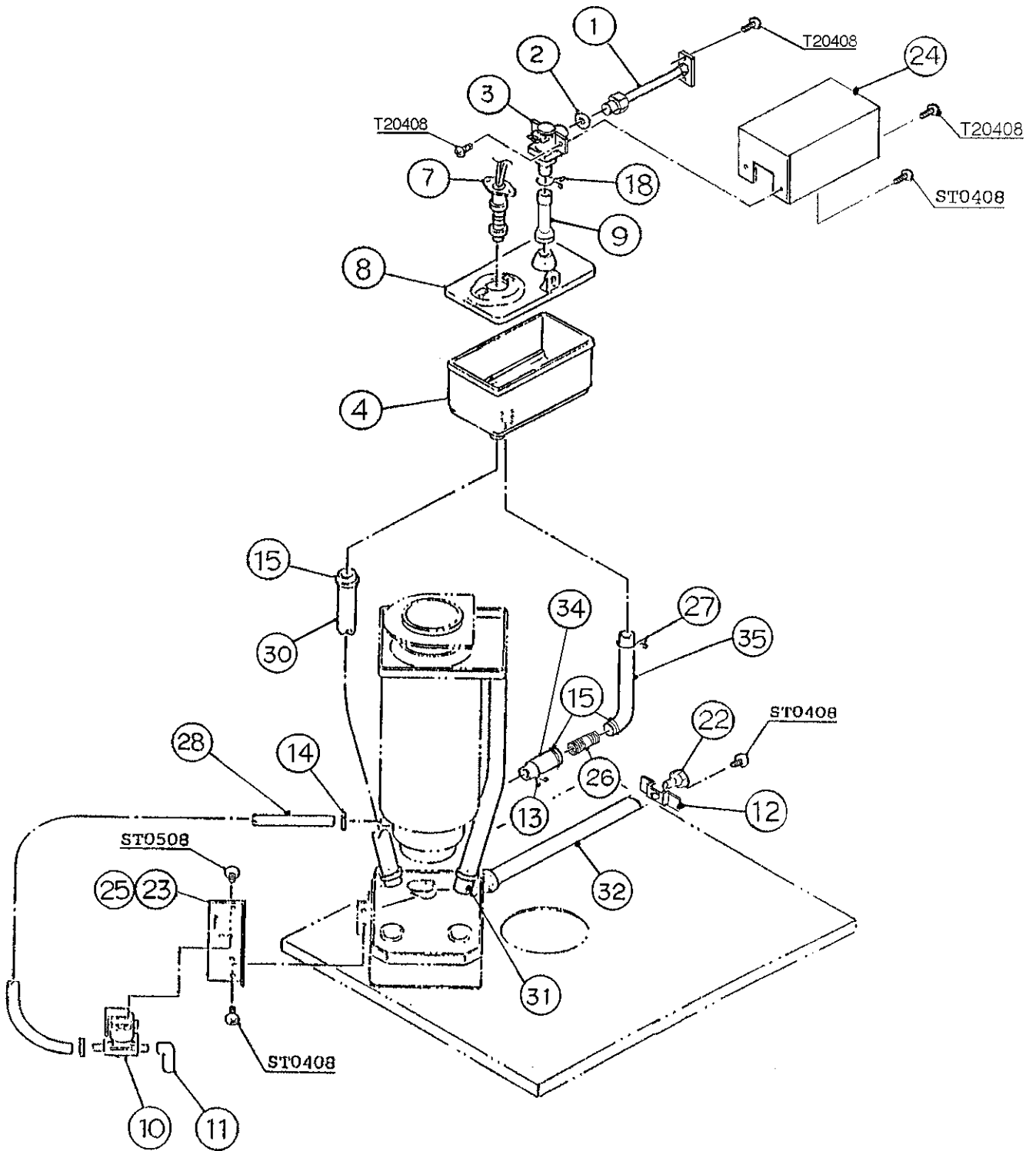


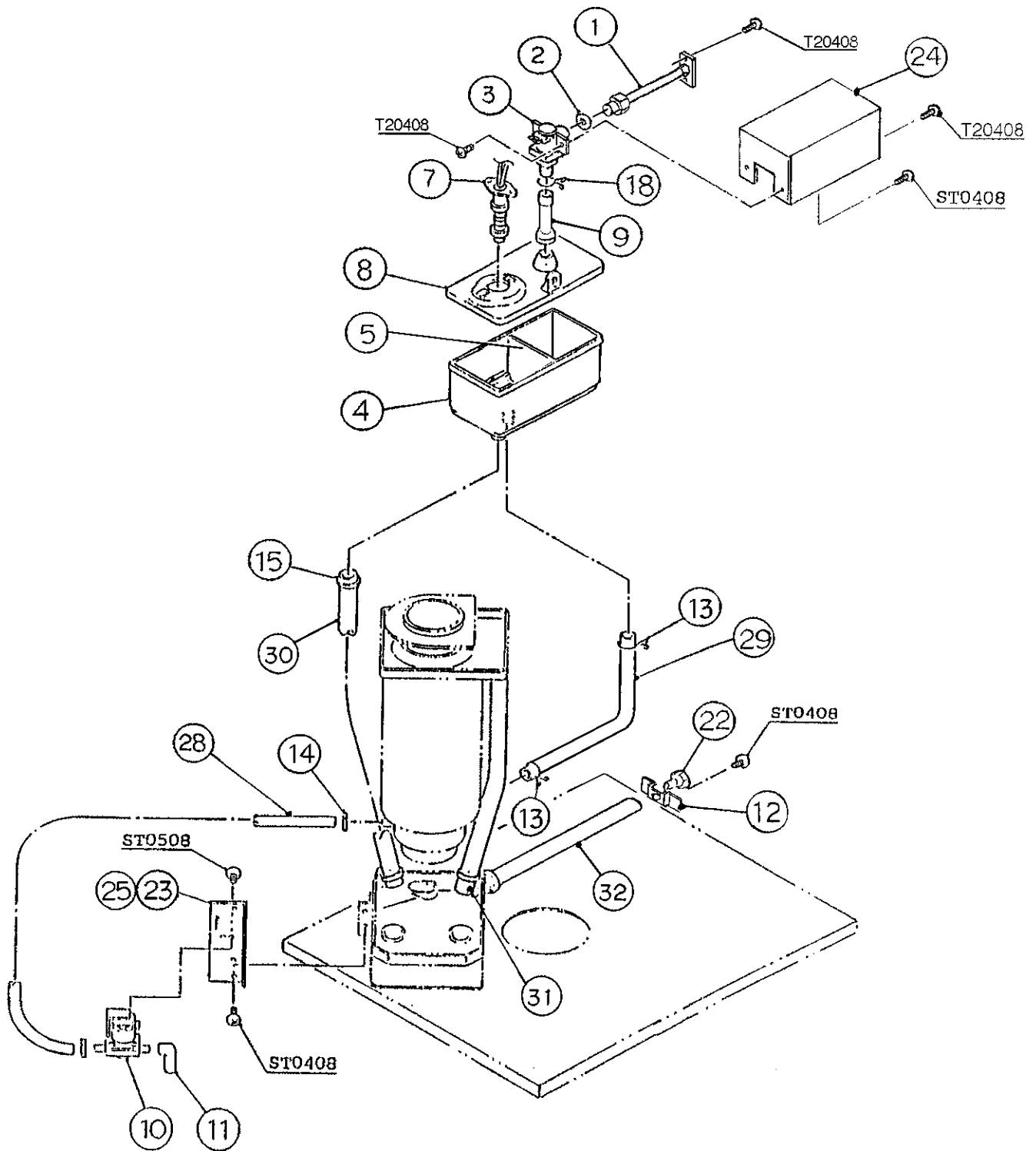
HA

F-1000MAE(-C), MWE(-C), MRE(-C)

D. WATER CIRCUIT

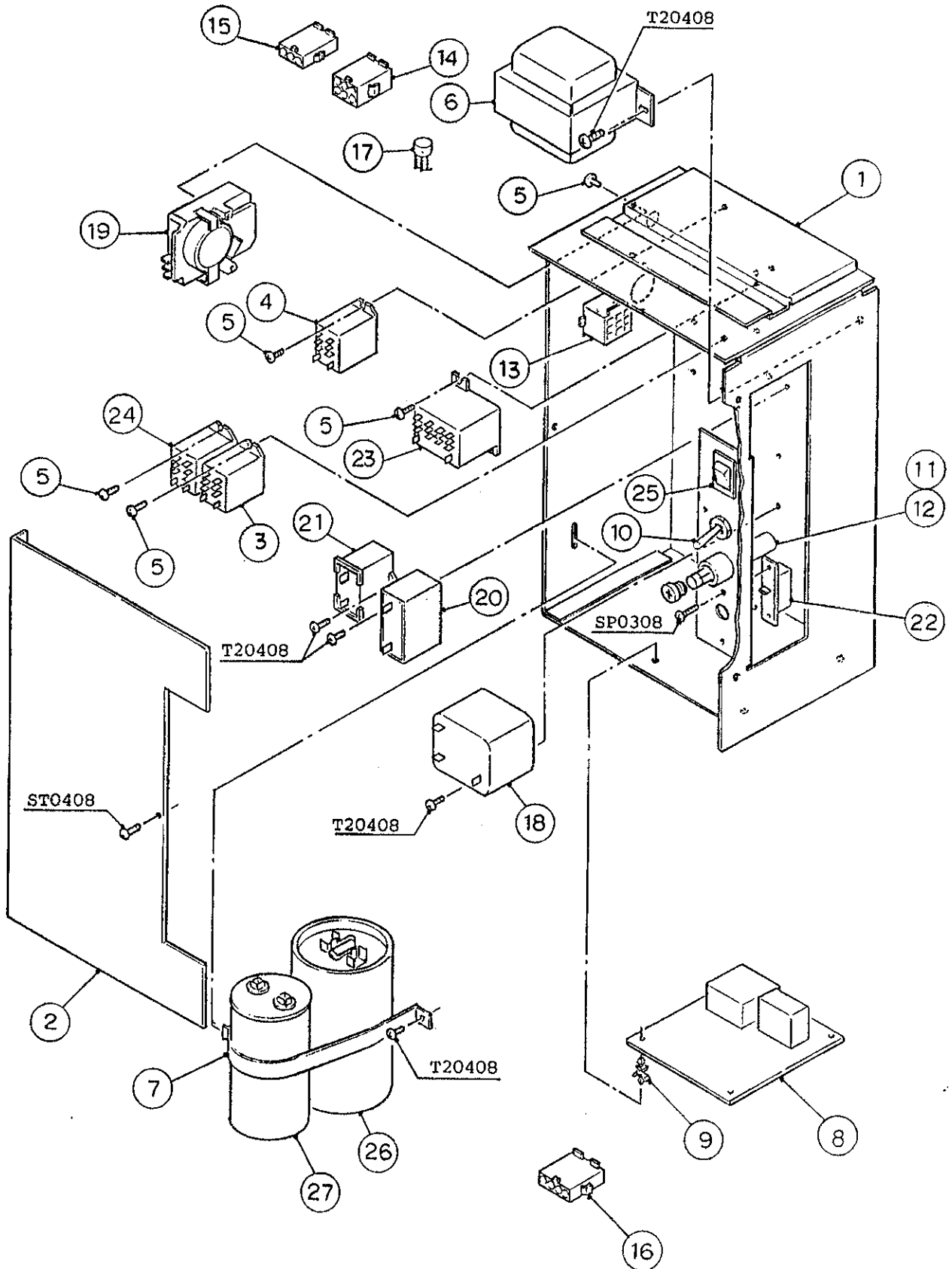
F-1, F-2, G-0

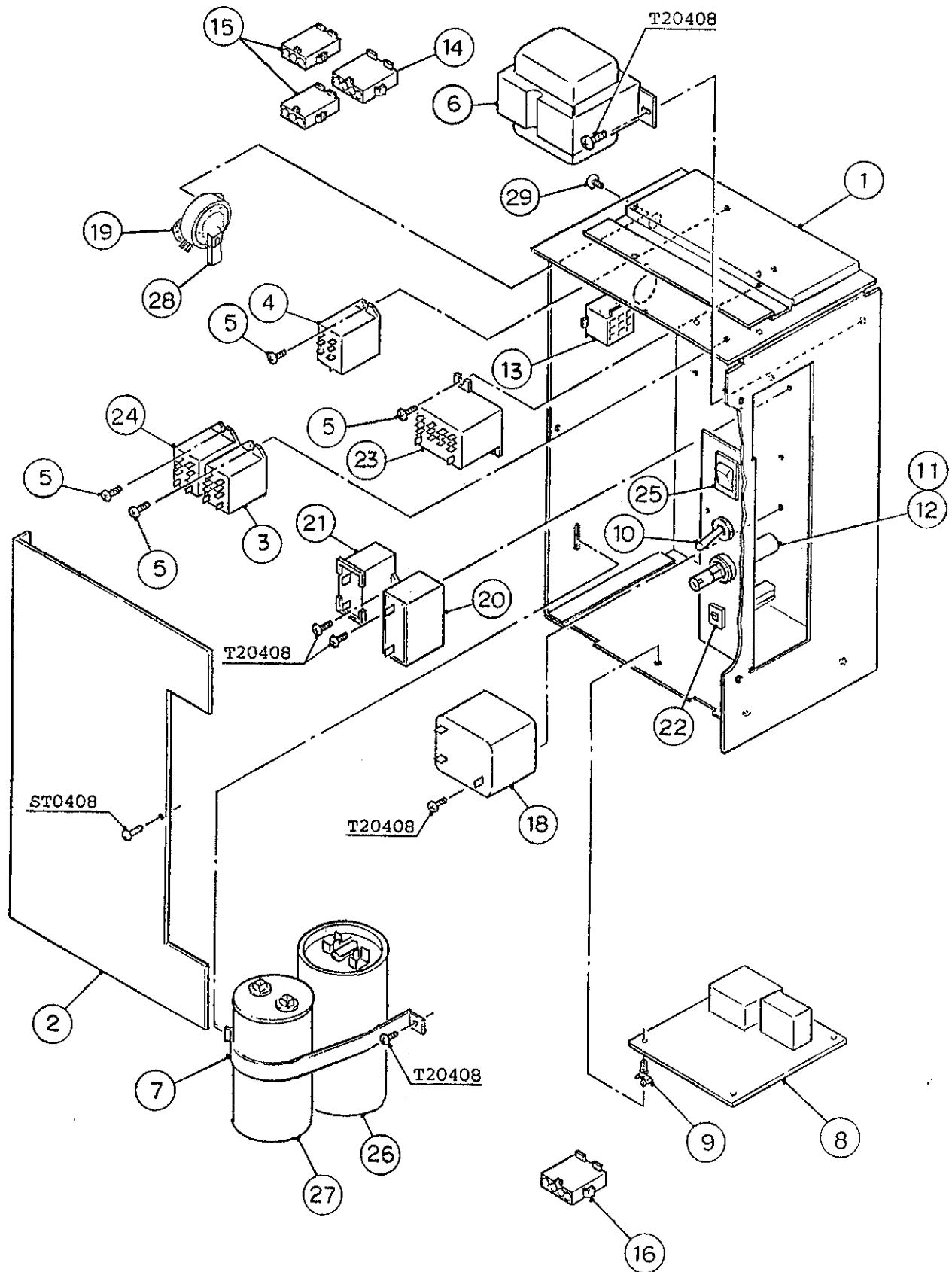


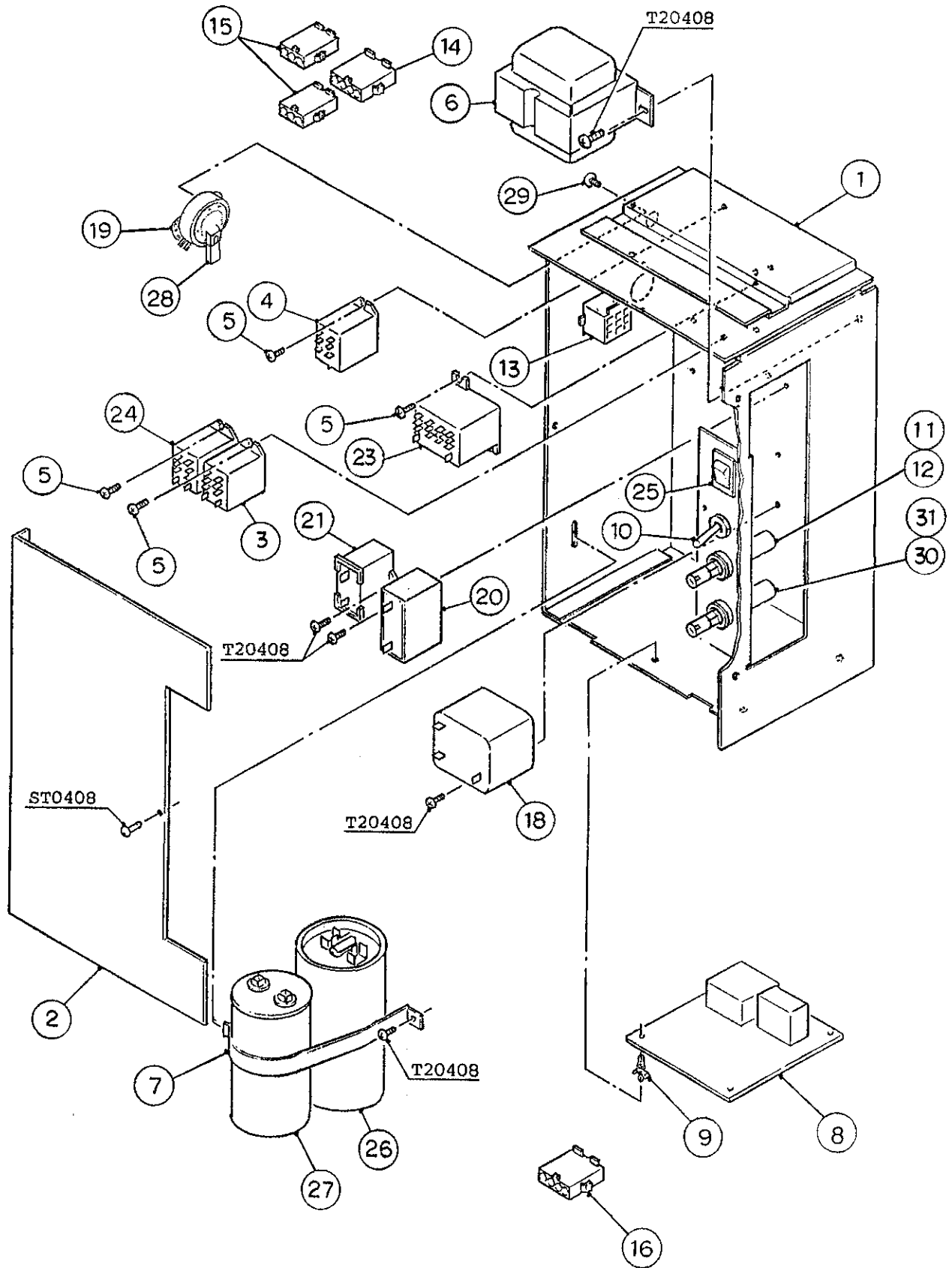


| MODEL: F-100MAE(-C), F-100MWE(-C), F-100MRE(-C) TITLE: D. WATER CIRCUIT | | | | | | | | | | | | | |
|---|-----------------------|--------------------------|-------------|------------------------|-------------------------|------------|------------|-----|-----|-----|-----|-----|------------|
| INDEX NO. | DESCRIPTION | MATERIAL OR MODEL NUMBER | PART NUMBER | REQUIRED NUMBER | | | | | | | | | |
| | | | | D10501 through D10535L | D10536M through D11126J | D-2 E-0 | E-1 F-0 | F-1 | F-2 | G-0 | G-1 | G-2 | H-2 J-0 |
| K | FITTING (P) ASSEMBLY | (S-0351) | 311425A01 | 1 | - | | | | | | | | |
| 1 | PIPE-WATER SUPPLY | SS | 321357G04 | 1 | - | | | | | | | | |
| | WATER SUPPLY PIPE | COPPER | 4A0342G01 | | 1 | - | | | | | | | |
| | | COPPER | 4A0555G01 | | | 1 | - | | | | | | |
| | | COPPER | 4A0777G01 | | | | 1 | - | | | | | |
| | COPPER | 4A0891G01 | | | | | 1 | 1 | 1 | 1 | 1 | 1 | |
| 2 | PACKING | NBR | 413854-03 | 1 | 1 | 1 | 1 | - | | | | | |
| | WASHER | SI. R | 4A0867-01 | | | | | 1 | 1 | 1 | 1 | 1 | 1 |
| 3 | WATER VALVE | J246-086 | 3U0065-01 | 1 | 1 | 1 | 1 | - | | | | | |
| | | | 4A0865-01 | | | | | 1 | 1 | 1 | 1 | 1 | 1 |
| 4 | RESERVOIR | ABS | 208125-01 | 1 | 1 | - | | | | | | | |
| | | P.P | 214809-01 | | | 1 | 1 | 1 | 1 | 1 | - | | |
| | | - | 2A0753-01 | | | | | | | | 1 | 1 | 1 |
| 5 | SEPARATOR-RESERVOIR | ABS | 423538-02 | 1 | 1 | - | - | - | - | - | | | |
| | | - | 4A1255-01 | | | | | | | | 1 | 1 | 1 |
| 6 | COLLAR | SS | 423416-03 | 1 | 1 | - | | | | | | | |
| 7 | FLOAT SWITCH | TW-1221-101 | 435490-01 | 1 | 1 | 1 | 1 | 1 | 1 | 1 | 1 | 1 | 1 |
| 8 | COVER - RESERVOIR | ABS | 208126-01 | 1 | 1 | - | | | | | | | |
| | RESERVOIR COVER | P.P | 214810-01 | | | 1 | 1 | 1 | 1 | 1 | 1 | 1 | 1 |
| 9 | COVER-RESERVOIR INLET | SI.R. | 415094-01 | 1 | 1 | 1 | 1 | - | | | | | |
| | RESERVOIR INLET | SI. R. | 4A0869-01 | | | | | 1 | 1 | 1 | 1 | 1 | 1 |
| 10 | WATER VALVE | J241-231 | 3U0112-01 | 1 | 1 | 1 | 1 | - | | | | | |
| | | S-60 | 4A0866-01 | | | | | 1 | 1 | 1 | 1 | 1 | 1 |
| 11 | PIPE-DRAIN | NBR | 422293-01 | 1 | 1 | 1 | 1 | - | | | | | |
| | VINYL HOSE | L=50 | 7725-0913 | | | | | 1 | 1 | 1 | 1 | 1 | 1 |
| 12 | FITTING-DRAIN | BRASS | 323362-01 | 1 | 1 | - | | | | | | | |
| | FITTING BRACKET | GS | 4A0382-01 | | | 1 | - | | | | | | |
| 13 | CLAMP | SK-18.3 | 435934-06 | 2 | 2 | 2 | 1 | 1 | 1 | 1 | 2 | 2 | 2 |
| 14 | CLAMP | MH-30N | 421642-04 | 2 | 2 | 2 | 2 | 2 | 2 | 2 | 2 | 2 | 2 |

| MODEL: F-1000MAE(-C), F-1000MWE(-C), F-1000MRE(-C) TITLE: D. WATER CIRCUIT | | | | | | | | | | | | | |
|--|-------------------------|--------------------------|-------------|------------------------|-------------------------|-----|-----|------------|-----|------------|-----|-----|------------|
| INDEX NO. | DESCRIPTION | MATERIAL OR MODEL NUMBER | PART NUMBER | REQUIRED NUMBER | | | | | | | | | |
| | | | | D10501 through D10535L | D10536M through D11126J | D-2 | E-0 | E-1 F-0 | F-1 | F-2 G-0 | G-1 | G-2 | H-2 J-0 |
| 15 | CABLE TIE | CV-150 | 7920-0003 | 5 | 5 | 8 | 10 | 11 | 11 | 11 | 9 | 9 | 9 |
| 16 | BRACKET-WATER VALVE | SS | 432900-01 | 1 | 1 | - | | | | | | | |
| 17 | HOSE(C) | EVA | 425289-07 | 1 | 1 | - | | | | | | | |
| | | EVA | 425289-05 | | | 1 | 1 | 1 | - | | | | |
| 18 | CLAMP | SK-17 | 435934-05 | 1 | 1 | 1 | 1 | 1 | - | | | | |
| 19 | WATER VALVE BRACKET | GS | 3A0256-01 | | 1 | - | | | | | | | |
| 20 | COVER - WATER VALVE | SS | 440955-01 | | | 1 | - | | | | | | |
| 21 | VALVE BRACKET | SS | 440954-01 | | | 1 | - | | | | | | |
| 22 | ADAPTER | COPPER | 4A0381-01 | | | 1 | 1 | - | | | | | |
| | FITTING | COPPER | 4A0776G01 | | | | | 1 | 1 | 1 | 1 | 1 | 1 |
| 23 | WATER VALVE BRACKET | GS | 3A0397-01 | | | 1 | 1 | 1 | - | | | | |
| | | GS | 3A0554-01 | | | | | | 1 | 1 | 1 | 1 | 1 |
| 24 | WATER VALVE BRACKET | GS | 3A0334-01 | | | 1 | 1 | 1 | - | | | | |
| | WATER VALVE BRACKET (D) | GS | 3A0553-01 | | | | | | 1 | 1 | 1 | 1 | 1 |
| 25 | BUSHING | OCB-437 | 428394-06 | | | 1 | 1 | 1 | - | | | | |
| 26 | UNION | NI0UCB8 | 4A0754-01 | | | | | 1 | 1 | 1 | - | | |
| 27 | CLAMP | - | 435934-03 | | | | | 1 | 1 | 1 | - | | |
| 28 | VINYL HOSE | L=270 | 7730-0912 | 1 | 1 | - | | | | | | | |
| | | L=300 | 7730-0912 | | | 1 | 1 | 1 | 1 | 1 | 1 | 1 | 1 |
| 29 | SILICONE HOSE | L=350 | 7730-1519 | | | | | | | 1 | 1 | 1 | |
| 30 | SILICONE HOSE | L=500 | 7730-1822 | 1 | 1 | 1 | 1 | 1 | 1 | 1 | 1 | 1 | 1 |
| 31 | VINYL HOSE | L=540 | 7716-2025 | 1 | 1 | 1 | 1 | 1 | 1 | 1 | 1 | 1 | 1 |
| 32 | VINYL HOSE | L=340 | 7725-1923 | 1 | 1 | 1 | 1 | 1 | 1 | 1 | 1 | 1 | 1 |
| 33 | SILICONE HOSE | L=400 | 7730-1519 | 1 | 1 | x1 | | | | | | | |
| | | L=400 | 7730-1519 | | | o1 | - | | | | | | |
| 34 | VINYL HOSE | L=50 | 7730-1519 | | | | 1 | 1 | 1 | 1 | - | | |
| 35 | VINYL HOSE | L=250 | 7716-1216 | | | | 1 | 1 | 1 | 1 | - | | |
| | | | | | | | | | | | | | |
| | | | | | | | | | | | | | |







| MODEL: F-100MAE, MAE-C TITLE: E. CONTROL BOX ASSEMBLY | | | | | | | | | | | | | |
|---|-------------------|---------------------------|-------------|------------------------|-------------------------|------------|------------|-----|-----|-----|-----|------------|-----|
| INDEX NO. | DESCRIPTION | MATERIAL OR MODEL NUMBER | PART NUMBER | REQUIRED NUMBER | | | | | | | | | |
| | | | | D10501 through D10535L | D10536M through D11126J | D-2 E-0 | E-1 F-0 | F-1 | F-2 | G-0 | G-1 | G-2 H-2 | J-0 |
| 1 | CONTROL BOX | GS | 211472G02 | 1 | - | | | | | | | | |
| | | GS | 2A0229G01 | | 1 | - | | | | | | | |
| | | GS | 2A0229G02 | | | 1 | 1 | - | | | | | |
| | | GS | 2A0229G03 | | | | | 1 | 1 | 1 | 1 | 1 | - |
| | | GS | 2A0229G04 | | | | | | | | | | 1 |
| 2 | COVER-CONTROL BOX | GS | 321046-01 | 1 | 1 | x1 | | | | | | | |
| | | GS | 3A0411-01 | | | o1 | 1 | 1 | 1 | 1 | 1 | 1 | 1 |
| 3 | RELAY | LY-1F,AC120V | 418271-03 | 1 | 1 | 1 | 1 | 1 | 1 | 1 | 1 | 1 | |
| 4 | RELAY | LY2ZF,AC24V | 406132-06 | 1 | 1 | x1 | | | | | | | |
| | | LY-2F AC24V | 406132-03 | | | o1 | 1 | 1 | 1 | 1 | 1 | 1 | 1 |
| 5 | TAPPING SCREW | 3 x 8 | 431415-01 | 10 | 10 | 10 | 10 | 8 | 8 | 8 | 8 | 8 | |
| 6 | TRANSFORMER | TR5267 120/24V,1A | 2U0042-01 | 1 | 1 | x1 | | | | | | | |
| | | BE141625GEK 120/24V,1A | 4A0557-01 | | | o1 | 1 | 1 | 1 | 1 | 1 | 1 | 1 |
| 7 | STRAP | GS | 434174-02 | 1 | - | | | | | | | | |
| | | GS | 434580-07 | | 1 | 1 | 1 | 1 | 1 | 1 | 1 | 1 | 1 |
| 8 | TIMER BOARD | H2AA144C01 | 437305-01 | 1 | 1 | 1 | 1 | 1 | 1 | 1 | 1 | 1 | |
| 9 | BOARD SUPPORT | KGLS-6S | 414929-01 | 4 | x4 | | | | | | | | |
| | | CBLS37-N | 4A0336-03 | | o4 | 4 | 4 | 4 | 4 | 4 | 4 | 4 | 4 |
| 10 | TOGGLE SWITCH | S-821E1E | 438030-01 | 1 | 1 | - | | | | | | | |
| | | 7599K1 | 4A0567-01 | | | 1 | 1 | 1 | 1 | 1 | 1 | 1 | 1 |
| 11 | FUSE HOLDER | FH032,250V,1A | 424288-01 | 1 | 1 | 1 | 1 | - | | | | | |
| | | HT921,250V,1A | 4A0892-01 | | | | | 1 | 1 | 1 | 1 | 1 | 1 |
| 12 | FUSE | FGA02,250V,1A | 420468-01 | 1 | 1 | 1 | 1 | - | | | | | |
| | | AGC-1,250V, 1A | 4A0893-01 | | | | | 1 | 1 | 1 | 1 | 1 | 1 |
| 13 | 9P PLUG HOUSING | 3191-09P | 412832-02 | 1 | 1 | 1 | 1 | 1 | 1 | 1 | 1 | 1 | |
| 14 | 6P PLUG HOUSING | 3191-06P | 412832-03 | 1 | 1 | 1 | 1 | - | | | | | |
| | 4P PLUG HOUSING | 3191-04P | 412832-05 | | | | | 1 | 1 | 1 | 1 | 1 | |

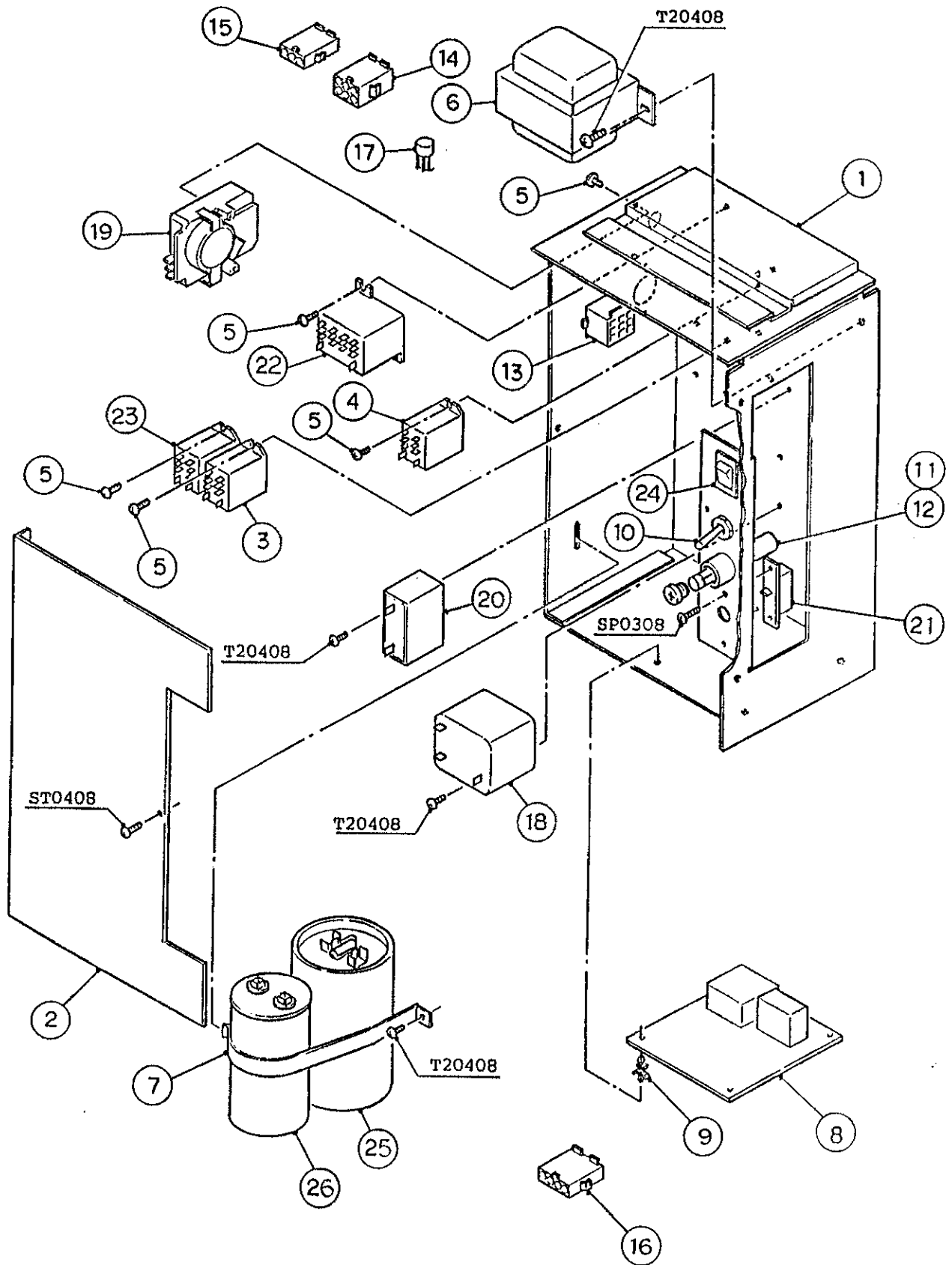
| MODEL: F-100MAE, MAE-C TITLE: E. CONTROL BOX ASSEMBLY | | | | | | | | | | | | |
|---|----------------------------|--------------------------|-------------|------------------------|-------------------------|------------|------------|-----|-----|-----|-----|------------|
| INDEX NO. | DESCRIPTION | MATERIAL OR MODEL NUMBER | PART NUMBER | REQUIRED NUMBER | | | | | | | | |
| | | | | D10501 through D10535L | D10536M through D11126J | D-2 E-0 | E-1 F-0 | F-1 | F-2 | G-0 | G-1 | G-2 H-2 |
| 15 | 3P PLUG HOUSING | 3191-03P | 412832-06 | 2 | 2 | 2 | 2 | 2 | 2 | 2 | 2 | 2 |
| 16 | 4P PLUG HOUSING | 3191-04P | 412832-05 | 1 | 1 | 1 | 1 | 1 | 1 | 1 | 1 | 1 |
| 17 | RECTIFIER | W10 | 422552-01 | 1 | 1 | 1 | 1 | - | | | | |
| 18 | STARTER | 040-0001-26 | 434172-01 | 1 | 1 | 1 | 1 | 1 | 1 | 1 | 1 | 1 |
| 19 | CAM TIMER | D250,AC24V 12H15M | 2U0094-01 | 1 | 1 | 1 | 1 | - | | | | |
| | TIMER | - | 4A0889-01 | | | | | 1 | 1 | 1 | 1 | 1 |
| 20 | CAPACITOR | 12MFD,250VAC | 416921-04 | 1 | 1 | 1 | 1 | - | | | | |
| | | 12MFD,330VAC | 4A0894-01 | | | | | 1 | 1 | 1 | 1 | 1 |
| 21 | CAPACITOR | 6MFD,220VAC | 431928-01 | 1 | 1 | - | | | | | | |
| | | 5MFD | 443192-02 | | | 1 | 1 | 1 | 1 | 1 | 1 | 1 |
| 22 | PROTECTOR | NW-3P-2,2.5A | 427253-02 | 1 | 1 | 1 | 1 | - | | | | |
| | | - | 440972-02 | | | | | 1 | 1 | 1 | 1 | 1 |
| 23 | RELAY | LY-4F,AC24V | 406133-04 | 1 | 1 | 1 | 1 | 1 | 1 | 1 | 1 | 1 |
| 24 | RELAY | LY1F-HSD, AC220/240V | 418271-05 | 1 | 1 | 1 | 1 | 1 | 1 | 1 | 1 | 1 |
| 25 | ROCKER SWITCH | HLS112D | 421491-08 | 1 | 1 | - | | | | | | |
| | | 1803.1102 | 4A0558-01 | | | 1 | 1 | 1 | 1 | 1 | 1 | 1 |
| 26 | START CAPACITOR | 014-0008-78 | 434171-02 | 1 | - | | | | | | | |
| | CAPACITOR - STARTING | - | 3A0076-02 | | 1 | 1 | 1 | 1 | 1 | 1 | 1 | 1 |
| 27 | RUN CAPACITOR | 014-0037-09 | 434170-01 | 1 | - | | | | | | | |
| | CAPACITOR | X386S(HG02) | 439943-02 | | 1 | 1 | 1 | 1 | 1 | 1 | 1 | 1 |
| 28 | CONNECTOR | - | 4A0899-01 | | | | | x1 | | | | |
| | | - | 4A0899-02 | | | | | o1 | 1 | 1 | 1 | 1 |
| 29 | CROSS RECESS MACHINE SCREW | 32 x 3/8 | 4A0898-01 | | | | | 2 | 2 | 2 | 2 | 2 |
| 30 | FUSE HOLDER | - | 4A0892-02 | | | | | | | | | 1 |
| 31 | FUSE | - | 4A0893-04 | | | | | | | | | 3 |

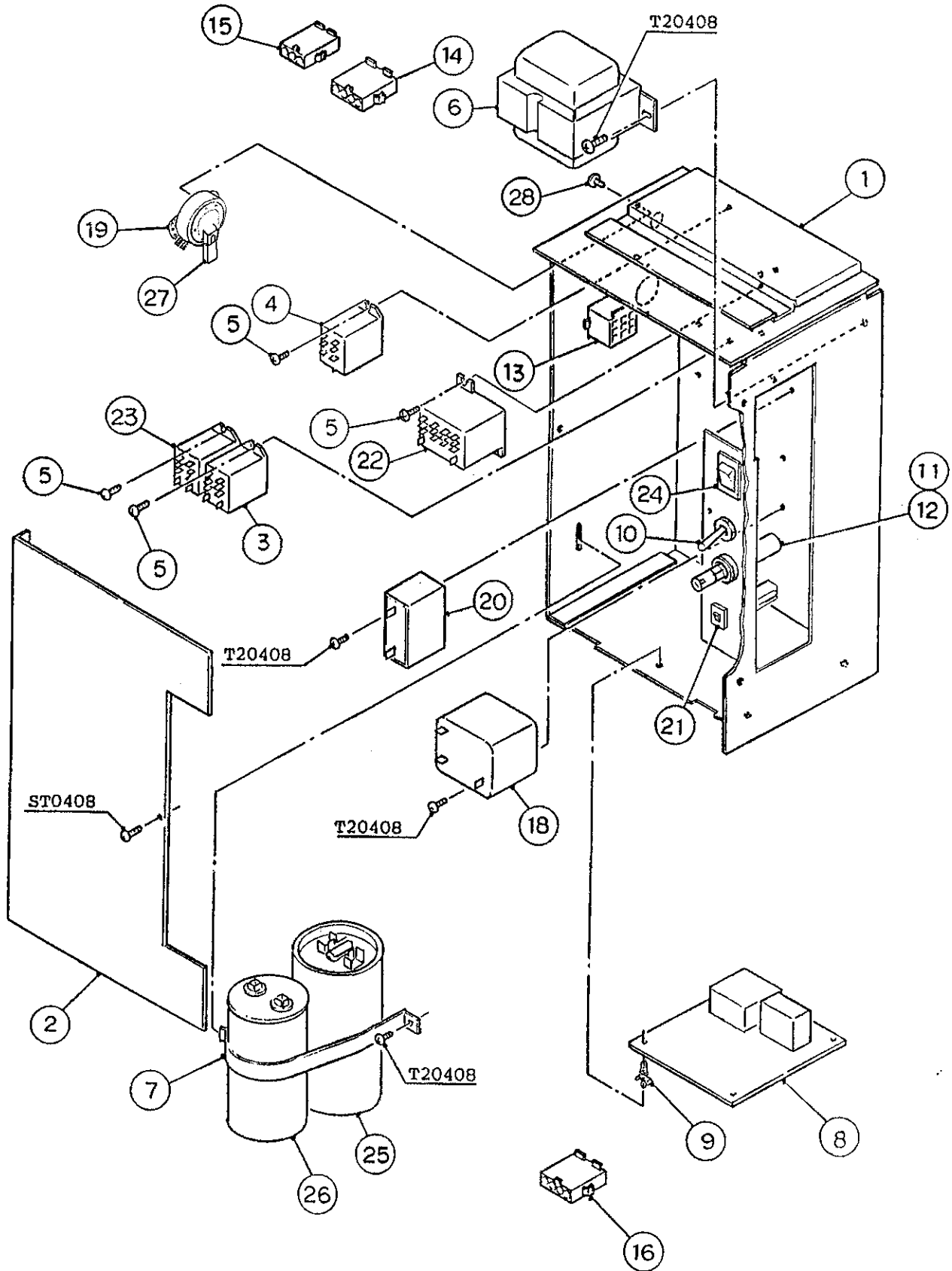
HA

F-1000MWE(-C), MRE(-C)

E. CONTROL BOX ASSEMBLY

D-1, D-2, E-0, E-1, F-0





| MODEL: F-1000MWE, MWE-C TITLE: E. CONTROL BOX ASSEMBLY | | | | | | | | | | | | | |
|--|-------------------|---------------------------|-------------|------------------------|-------------------------|------------|------------|-----|-----|-----|-----|--|--|
| INDEX NO. | DESCRIPTION | MATERIAL OR MODEL NUMBER | PART NUMBER | REQUIRED NUMBER | | | | | | | | | |
| | | | | D10501 through D10535L | D10536M through D10650H | D-2 E-0 | E-1 F-0 | F-1 | G-0 | G-1 | H-2 | | |
| 1 | CONTROL BOX | GS | 211472G02 | 1 | - | | | | | | | | |
| | | GS | 2A0229G01 | | 1 | - | | | | | | | |
| | | GS | 2A0229G02 | | | 1 | 1 | - | | | | | |
| | | GS | 2A0229G03 | | | | | 1 | 1 | 1 | 1 | | |
| 2 | COVER-CONTROL BOX | GS | 321046-01 | 1 | 1 | - | | | | | | | |
| | | GS | 3A0411-01 | | | 1 | 1 | 1 | 1 | 1 | 1 | | |
| 3 | RELAY | LY-1F,AC120V | 418271-03 | 1 | 1 | 1 | 1 | 1 | 1 | 1 | 1 | | |
| 4 | RELAY | LY2ZF,AC24V | 406132-06 | 1 | 1 | x1 | | | | | | | |
| | | LY-2F AC24V | 406132-03 | | | o1 | 1 | 1 | 1 | 1 | 1 | | |
| 5 | TAPPING SCREW | 3 x 8 | 431415-01 | 10 | 10 | 10 | 10 | 8 | 8 | 8 | 8 | | |
| 6 | TRANSFORMER | TR5267 120/24V,1A | 2U0042-01 | 1 | 1 | x1 | | | | | | | |
| | | BE141625GEK 120/24V,1A | 4A0557-01 | | | o1 | 1 | 1 | 1 | 1 | 1 | | |
| 7 | STRAP | GS | 434174-02 | 1 | - | | | | | | | | |
| | | GS | 434580-07 | | 1 | 1 | 1 | 1 | 1 | 1 | 1 | | |
| 8 | TIMER BOARD | H2AA144C01 | 437305-01 | 1 | 1 | 1 | 1 | 1 | 1 | 1 | 1 | | |
| 9 | BOARD SUPPORT | KGLS-6S | 414929-01 | 4 | x4 | | | | | | | | |
| | | CBLS37-N | 4A0336-03 | | o4 | 4 | 4 | 4 | 4 | 4 | 4 | | |
| 10 | TOGGLE SWITCH | S-821E1E | 438030-01 | 1 | 1 | - | | | | | | | |
| | | 7599K1 | 4A0567-01 | | | 1 | 1 | 1 | 1 | 1 | 1 | | |
| 11 | FUSE HOLDER | FH032,250V,1A | 424288-01 | 1 | 1 | 1 | 1 | - | | | | | |
| | | 250V,1A | 4A0892-01 | | | | | 1 | 1 | 1 | 1 | | |
| 12 | FUSE | FGA02,250V,1A | 420468-03 | 1 | 1 | 1 | 1 | - | | | | | |
| | | 250V,1A | 4A0893-01 | | | | | 1 | 1 | 1 | 1 | | |
| 13 | 9P PLUG HOUSING | 3191-09P | 412832-02 | 1 | 1 | 1 | 1 | 1 | 1 | 1 | 1 | | |
| 14 | 6P PLUG HOUSING | 3191-06P | 412832-03 | 1 | 1 | 1 | 1 | - | | | | | |
| | 4P PLUG HOUSING | 3191-04P | 412832-05 | | | | | 1 | 1 | 1 | 1 | | |

| MODEL: F-1000MWE, MWE-C TITLE: E. CONTROL BOX ASSEMBLY | | | | | | | | | | | | | |
|--|----------------------------|--------------------------|-------------|------------------------|-------------------------|------------|------------|-----|-----|-----|-----|--|--|
| INDEX NO. | DESCRIPTION | MATERIAL OR MODEL NUMBER | PART NUMBER | REQUIRED NUMBER | | | | | | | | | |
| | | | | D10501 through D10535L | D10536M through D10650H | D-2 E-0 | E-1 F-0 | F-1 | G-0 | G-1 | H-2 | | |
| 15 | 3P PLUG HOUSING | 3191-03P | 412832-06 | 1 | 1 | 1 | 1 | 1 | 1 | 1 | 1 | | |
| 16 | 4P PLUG HOUSING | 3191-04P | 412832-05 | 1 | 1 | 1 | 1 | 1 | 1 | 1 | 1 | | |
| 17 | RECTIFIER | W10 | 422552-01 | 1 | 1 | 1 | 1 | - | | | | | |
| 18 | STARTER | 040-0001-26 | 434172-01 | 1 | 1 | 1 | 1 | 1 | 1 | 1 | 1 | | |
| 19 | CAM TIMER | D250,AC24V 12H15M | 2U0094-01 | 1 | 1 | 1 | 1 | - | | | | | |
| | TIMER | - | 4A0889-01 | | | | | 1 | 1 | 1 | 1 | | |
| 20 | CAPACITOR | - | 416921-04 | 1 | 1 | 1 | 1 | 1 | 1 | 1 | 1 | | |
| 21 | PROTECTOR | NW-3P-2,2.5A | 427253-02 | 1 | 1 | 1 | 1 | - | | | | | |
| | | | 440972-02 | | | | | 1 | 1 | 1 | 1 | | |
| 22 | RELAY | LY-4F,AC24V | 406133-04 | 1 | 1 | 1 | 1 | 1 | 1 | 1 | 1 | | |
| 23 | RELAY | LY1F-HSD, AC220/240V | 418271-05 | 1 | 1 | 1 | 1 | 1 | 1 | 1 | 1 | | |
| 24 | ROCKER SWITCH | HLS112D | 421491-08 | 1 | 1 | - | | | | | | | |
| | | 1803.1102 | 4A0558-01 | | | 1 | 1 | 1 | 1 | 1 | 1 | | |
| 25 | START CAPACITOR | 014-0008-78 | 434171-02 | 1 | - | | | | | | | | |
| | CAPACITOR - STARTING | - | 3A0076-02 | | 1 | 1 | 1 | 1 | 1 | 1 | 1 | | |
| 26 | RUN CAPACITOR | 014-0037-09 | 434170-01 | 1 | - | | | | | | | | |
| | CAPACITOR | X386S(HG02) | 439943-02 | | 1 | 1 | 1 | 1 | 1 | 1 | 1 | | |
| 27 | CONNECTOR | - | 4A0899-01 | | | | | x1 | | | | | |
| | | - | 4A0899-02 | | | | | o1 | 1 | 1 | 1 | | |
| 28 | CROSS RECESS MACHINE SCREW | 32 x 3/8 | 4A0898-01 | | | | | 2 | 2 | 2 | 2 | | |
| | | | | | | | | | | | | | |
| | | | | | | | | | | | | | |
| | | | | | | | | | | | | | |
| | | | | | | | | | | | | | |

| MODEL: F-100MRE, MRE-C TITLE: E. CONTROL BOX ASSEMBLY | | | | | | | | | | | | | |
|---|-------------------|--------------------------|-------------|------------------------|-------------------------|-----|------------|-----|------------|-----|-----|--|--|
| INDEX NO. | DESCRIPTION | MATERIAL OR MODEL NUMBER | PART NUMBER | REQUIRED NUMBER | | | | | | | | | |
| | | | | D10501 through D10535L | D10536M through D10650H | D-2 | E-1 F-0 | F-1 | F-2 G-0 | G-1 | H-2 | | |
| 1 | CONTROL BOX | GS | 211472G02 | 1 | - | | | | | | | | |
| | | GS | 2A0229G01 | | 1 | - | | | | | | | |
| | | GS | 2A0229G02 | | | 1 | 1 | - | | | | | |
| | | GS | 2A0229G03 | | | | | 1 | 1 | 1 | 1 | | |
| 2 | COVER-CONTROL BOX | GS | 321046-01 | 1 | 1 | - | | | | | | | |
| | | GS | 3A0411-01 | | | 1 | 1 | 1 | 1 | 1 | 1 | | |
| 3 | RELAY | LY-1F,AC120V | 418271-03 | 1 | 1 | 1 | 1 | 1 | 1 | 1 | 1 | | |
| 4 | RELAY | LY2ZF,AC24V | 406132-06 | 1 | 1 | x1 | | | | | | | |
| | | LY-2F AC24V | 406132-03 | | | o1 | 1 | 1 | 1 | 1 | 1 | | |
| 5 | TAPPING SCREW | 3 x 8 | 431415-01 | 10 | 10 | 10 | 10 | 8 | 8 | 8 | 8 | | |
| 6 | TRANSFORMER | TR5267 120/24V,1A | 2U0042-01 | 1 | 1 | x1 | | | | | | | |
| | | BE141625GEK | 4A0557-01 | | | o1 | 1 | 1 | 1 | 1 | 1 | | |
| 7 | STRAP | GS | 434174-02 | 1 | - | | | | | | | | |
| | | GS | 434580-13 | | 1 | 1 | 1 | 1 | 1 | 1 | 1 | | |
| 8 | TIMER BOARD | H2AA144C01 | 437305-01 | 1 | 1 | 1 | 1 | 1 | 1 | 1 | 1 | | |
| 9 | BOARD SUPPORT | KGLS-6S | 414929-01 | 4 | x4 | | | | | | | | |
| | | CBLS37-N | 4A0336-03 | | o4 | 4 | 4 | 4 | 4 | 4 | 4 | | |
| 10 | TOGGLE SWITCH | S-821E1E | 438030-01 | 1 | 1 | - | | | | | | | |
| | | 7599K1 | 4A0567-01 | | | 1 | 1 | 1 | 1 | 1 | 1 | | |
| 11 | FUSE HOLDER | FH032,250V,1A | 424288-01 | 1 | 1 | 1 | 1 | - | | | | | |
| | | 250V,1A | 4A0892-01 | | | | | 1 | 1 | 1 | 1 | | |
| 12 | FUSE | FGA02,250V,1A | 420468-03 | 1 | 1 | 1 | 1 | - | | | | | |
| | | 250V,1A | 4A0893-01 | | | | | 1 | 1 | 1 | 1 | | |
| 13 | 9P PLUG HOUSING | 3191-09P | 412832-02 | 1 | 1 | 1 | 1 | 1 | 1 | 1 | 1 | | |
| 14 | 6P PLUG HOUSING | 3191-06P | 412832-03 | 1 | 1 | 1 | 1 | - | | | | | |
| | 4P PLUG HOUSING | 3191-04P | 412832-05 | | | | | 1 | 1 | 1 | 1 | | |
| 15 | 3P PLUG HOUSING | 3191-03P | 412832-06 | 1 | 1 | 1 | 1 | 1 | 1 | 1 | 1 | | |
| 16 | 4P PLUG HOUSING | 3191-04P | 412832-05 | 1 | 1 | 1 | 1 | 1 | 1 | 1 | 1 | | |

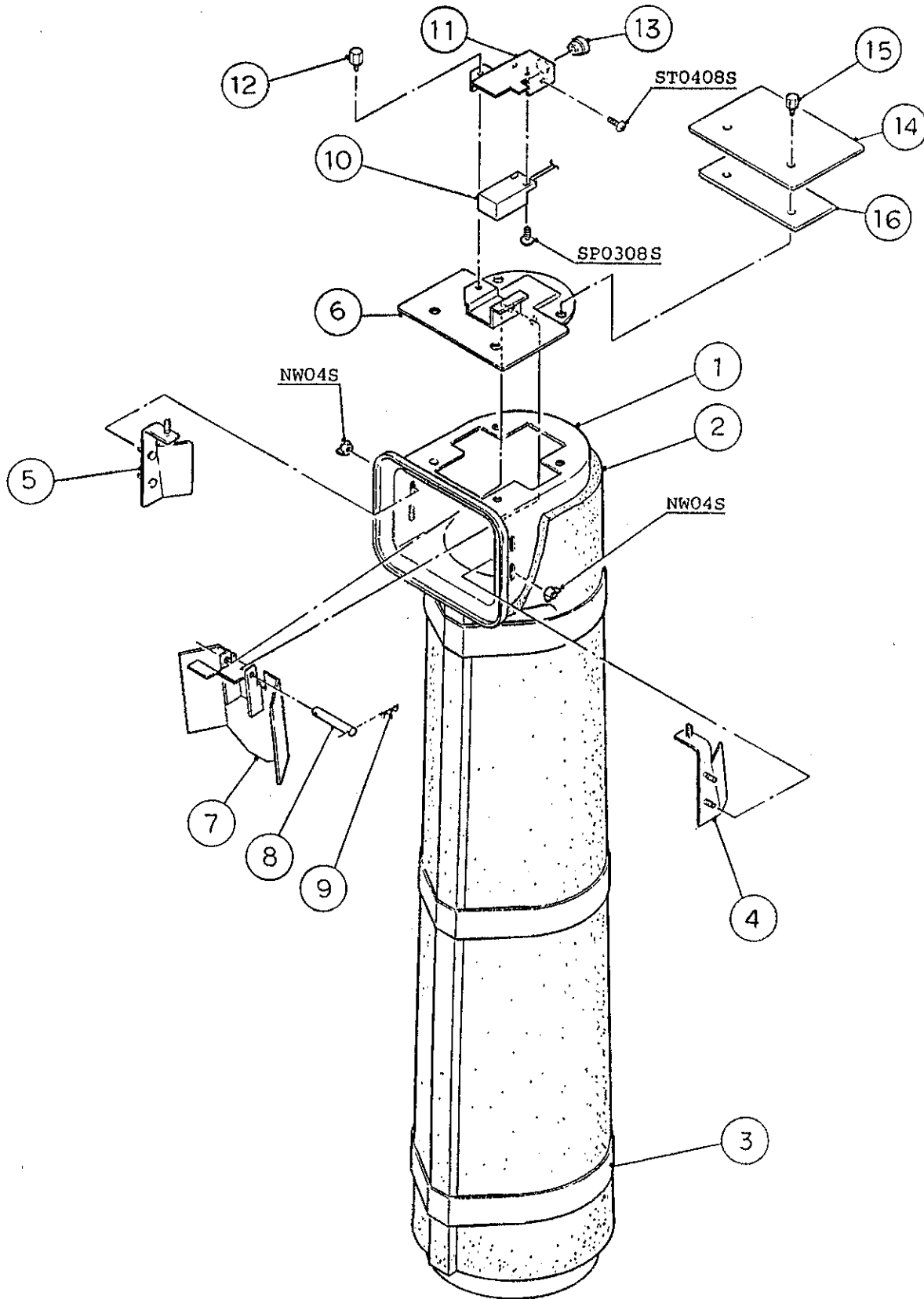
| MODEL: F-1000MRE, MRE-C TITLE: E. CONTROL BOX ASSEMBLY | | | | | | | | | | | | |
|--|----------------------------|--------------------------|-------------|------------------------|-------------------------|---------|---------|-----|-----|-----|-----|--|
| INDEX NO. | DESCRIPTION | MATERIAL OR MODEL NUMBER | PART NUMBER | REQUIRED NUMBER | | | | | | | | |
| | | | | D10501 through D10535L | D10536M through D10650H | D-2 E-0 | E-1 F-0 | F-1 | G-0 | G-1 | H-2 | |
| 17 | RECTIFIER | W10 | 422552-01 | 1 | 1 | 1 | 1 | - | | | | |
| 18 | STARTER | 040-0001-26 | 434172-01 | 1 | 1 | 1 | 1 | 1 | 1 | 1 | 1 | |
| 19 | CAM TIMER | D250,AC24V 12H15M | 2U0094-01 | 1 | 1 | 1 | 1 | - | | | | |
| | TIMER | - | 4A0889-01 | | | | | 1 | 1 | 1 | 1 | |
| 20 | CAPACITOR | - | 416921-04 | 1 | 1 | 1 | 1 | 1 | 1 | 1 | 1 | |
| 21 | PROTECTOR | NW-3P-2,2.5A | 427253-02 | 1 | 1 | 1 | 1 | - | | | | |
| | | - | 440972-02 | | | | | 1 | 1 | 1 | 1 | |
| 22 | RELAY | LY-4F,AC24V | 406133-04 | 1 | 1 | 1 | 1 | 1 | 1 | 1 | 1 | |
| 23 | RELAY | LY1F-HSD, AC220/240V | 418271-05 | 1 | 1 | 1 | 1 | 1 | 1 | 1 | 1 | |
| 24 | ROCKER SWITCH | HLS112D | 421491-08 | 1 | 1 | - | | | | | | |
| | | 1803.1102 | 4A0558-01 | | | 1 | 1 | 1 | 1 | 1 | 1 | |
| 25 | START CAPACITOR | 014-0008-78 | 434171-02 | 1 | - | | | | | | | |
| | CAPACITOR - STARTING | - | 3A0076-02 | | 1 | 1 | 1 | 1 | 1 | 1 | 1 | |
| 26 | RUN CAPACITOR | 014-0037-09 | 434170-01 | 1 | - | | | | | | | |
| | CAPACITOR | X386S(HG02) | 439943-02 | | 1 | 1 | 1 | 1 | 1 | 1 | 1 | |
| 27 | CONNECTOR | - | 4A0899-01 | | | | | x1 | | | | |
| | | - | 4A0899-02 | | | | | o1 | 1 | 1 | 1 | |
| 28 | CROSS RECESS MACHINE SCREW | 32 x 3/8 | 4A0898-01 | | | | | 2 | 2 | 2 | 2 | |
| | | | | | | | | | | | | |
| | | | | | | | | | | | | |
| | | | | | | | | | | | | |
| | | | | | | | | | | | | |
| | | | | | | | | | | | | |
| | | | | | | | | | | | | |
| | | | | | | | | | | | | |

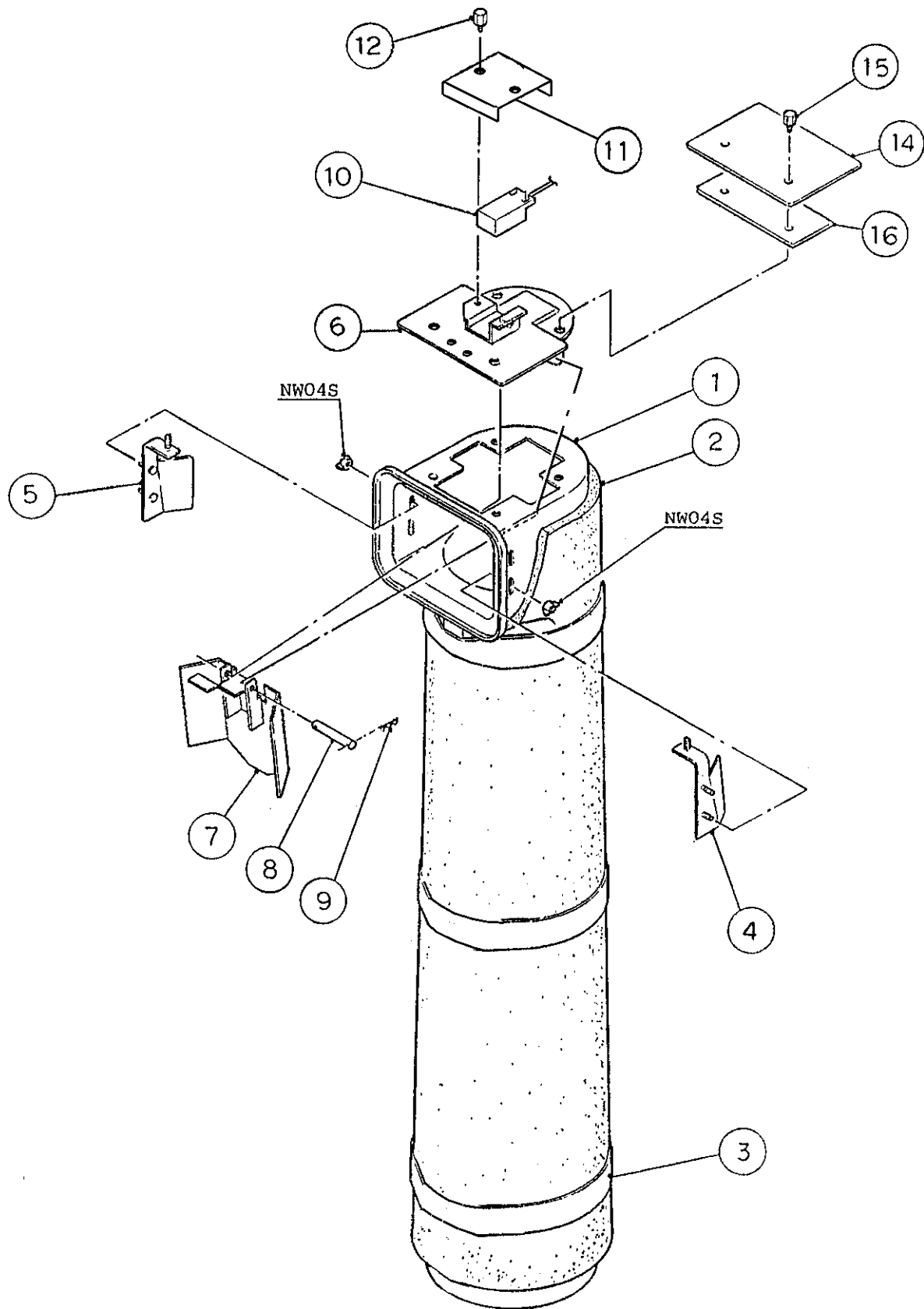
HA

F-1000MAE(-C), MWE(-C), MRE(-C)

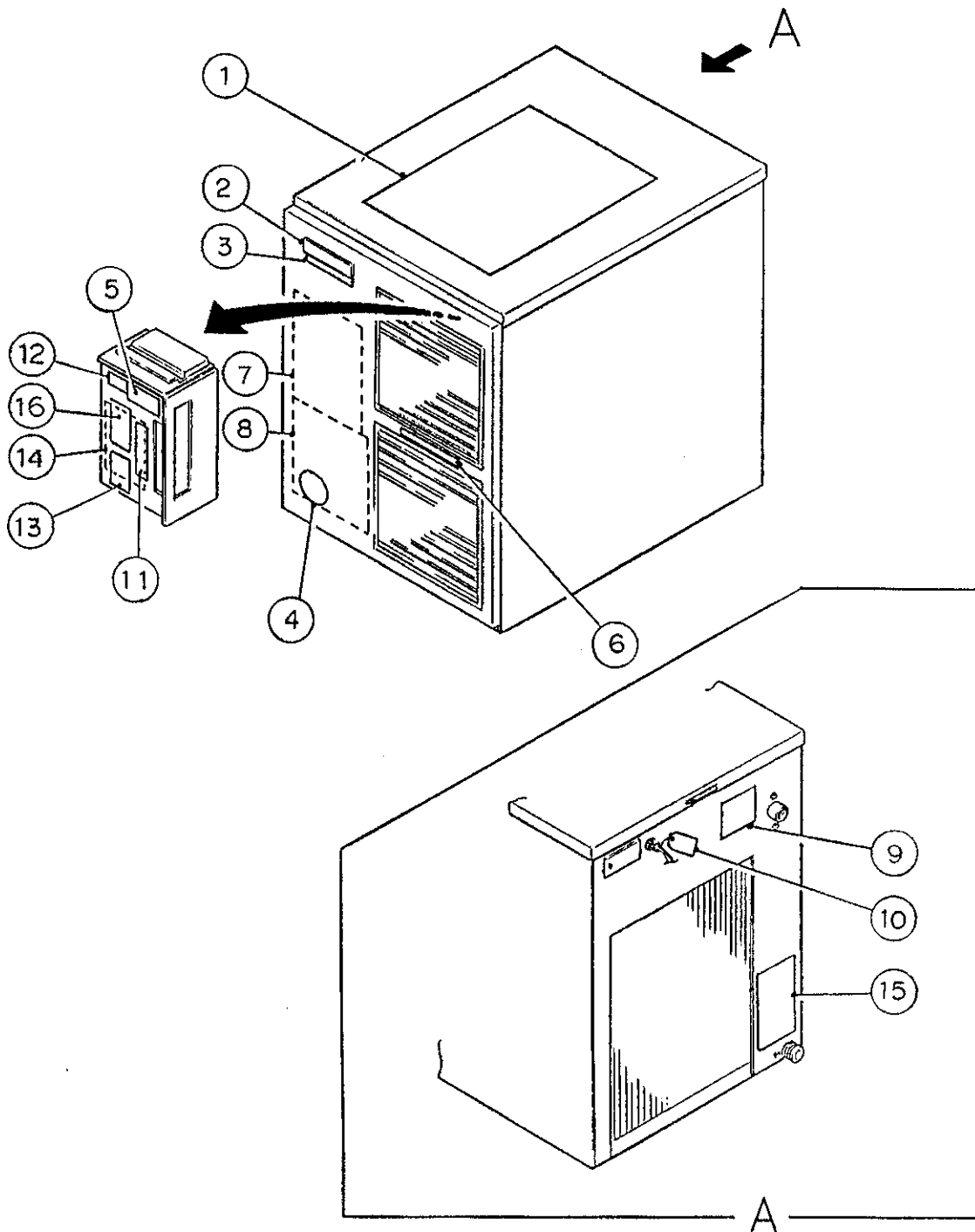
F. CHUTE ASSEMBLY

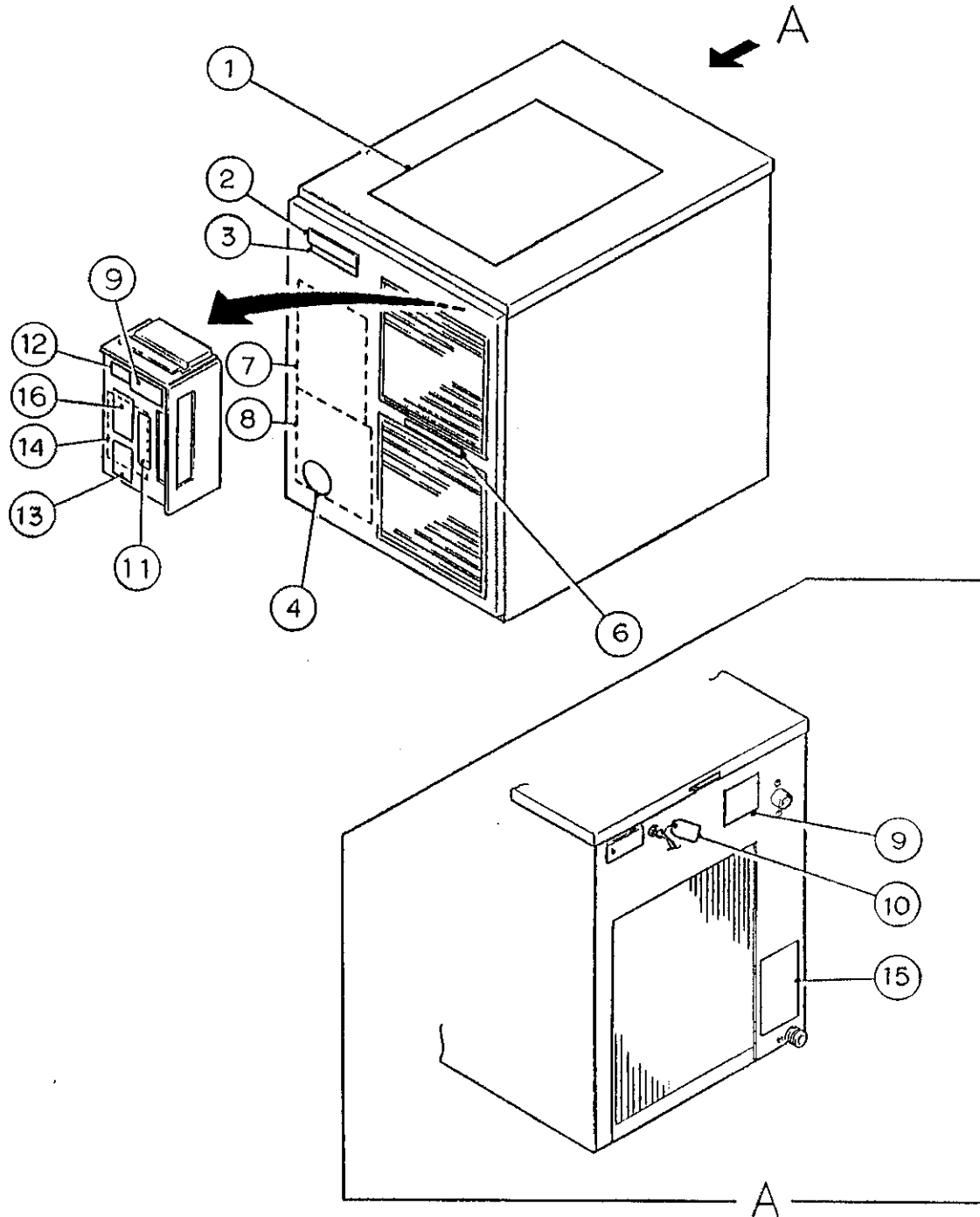
D-1, D-2, E-0, E-1, F-0
F-1, F-2, G-0, G-1, G-2

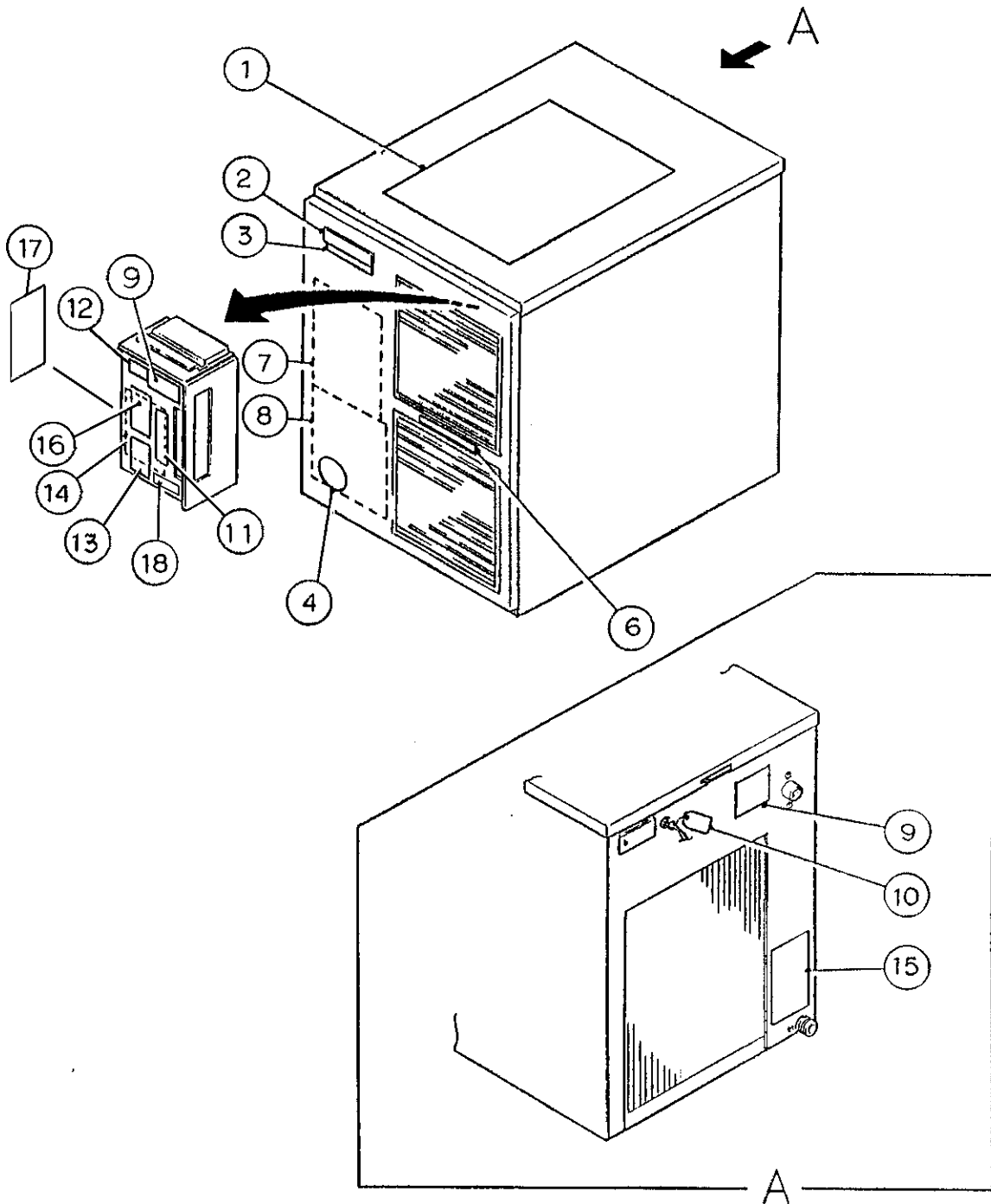




| MODEL: F-1000MAE(-C), MWE(-C), MRE(-C) TITLE: F. CHUTE ASSEMBLY | | | | | | | | | | | | | |
|---|------------------|--------------------------|-------------|------------------------|-------------------------|------------|------------|-----|-----|-----|-----|-----|------------|
| INDEX NO. | DESCRIPTION | MATERIAL OR MODEL NUMBER | PART NUMBER | REQUIRED NUMBER | | | | | | | | | |
| | | | | D10501 through D10535L | D10536M through D11126J | D-2 E-0 | E-1 F-0 | F-1 | F-2 | G-0 | G-1 | G-2 | H-2 J-0 |
| 1 | CHUTE | PE | 214823-01 | 1 | 1 | 1 | 1 | 1 | 1 | 1 | 1 | 1 | x1 |
| | | - | 2A1056-01 | | | | | | | | | | o1 |
| 2 | INSULATION-CHUTE | PE FOAM | 213304-01 | 1 | 1 | 1 | 1 | 1 | 1 | 1 | 1 | 1 | 1 |
| 3 | TIE | PA | 436531G01 | 3 | 3 | 3 | 3 | 3 | 3 | 3 | 3 | 3 | 3 |
| 4 | BAFFLE-CHUTE (A) | SS | 325122G01 | 1 | 1 | x1 | | | | | | | |
| | | SS | 3A0400G01 | | | o1 | 1 | 1 | 1 | 1 | 1 | 1 | 1 |
| 5 | BAFFLE-CHUTE (B) | SS | 325123G01 | 1 | 1 | x1 | | | | | | | |
| | | SS | 3A0399G01 | | | o1 | 1 | 1 | 1 | 1 | 1 | 1 | 1 |
| 6 | BIN CONTROL | SS | 325117G01 | 1 | 1 | 1 | 1 | 1 | 1 | 1 | 1 | 1 | - |
| | | SS | 338043G02 | | | | | | | | | | 1 |
| 7 | ACTUATOR | SS | 436848G01 | 1 | 1 | 1 | 1 | 1 | 1 | 1 | 1 | 1 | 1 |
| 8 | SHAFT | SS | 436851-01 | 1 | 1 | 1 | 1 | 1 | 1 | 1 | 1 | 1 | 1 |
| 9 | SNAP PIN | SS,SSP-5 | 715S-0005 | 2 | 2 | 2 | 2 | 2 | 2 | 2 | 2 | 2 | 2 |
| 10 | PROXIMITY SWITCH | RS-601 | 427223-01 | 1 | 1 | 1 | 1 | 1 | 1 | 1 | 1 | 1 | 1 |
| 11 | COVER - SWITCH | SS | 324106-01 | 1 | 1 | 1 | 1 | 1 | 1 | 1 | 1 | 1 | - |
| | | SS | 451870-01 | | | | | | | | | | 1 |
| 12 | THUMBSCREW | ABS,SS | 415949G04 | 1 | 1 | 1 | 1 | 1 | 1 | 1 | 1 | 1 | 2 |
| 13 | BUSHING | SR-5KN-4 | 420472-06 | 1 | 1 | 1 | 1 | 1 | 1 | 1 | 1 | 1 | - |
| 14 | PLATE | SS | 438336-01 | 1 | 1 | 1 | 1 | 1 | 1 | 1 | 1 | 1 | 1 |
| 15 | THUMBSCREW | ABS,SS | 415949G09 | 2 | 2 | 2 | 2 | 2 | 2 | 2 | 2 | 2 | 2 |
| 16 | PACKING | EPDM | 441217-01 | 1 | 1 | 1 | 1 | 1 | 1 | 1 | 1 | 1 | 1 |
| | | | | | | | | | | | | | |
| | | | | | | | | | | | | | |
| | | | | | | | | | | | | | |
| | | | | | | | | | | | | | |
| | | | | | | | | | | | | | |
| | | | | | | | | | | | | | |
| | | | | | | | | | | | | | |

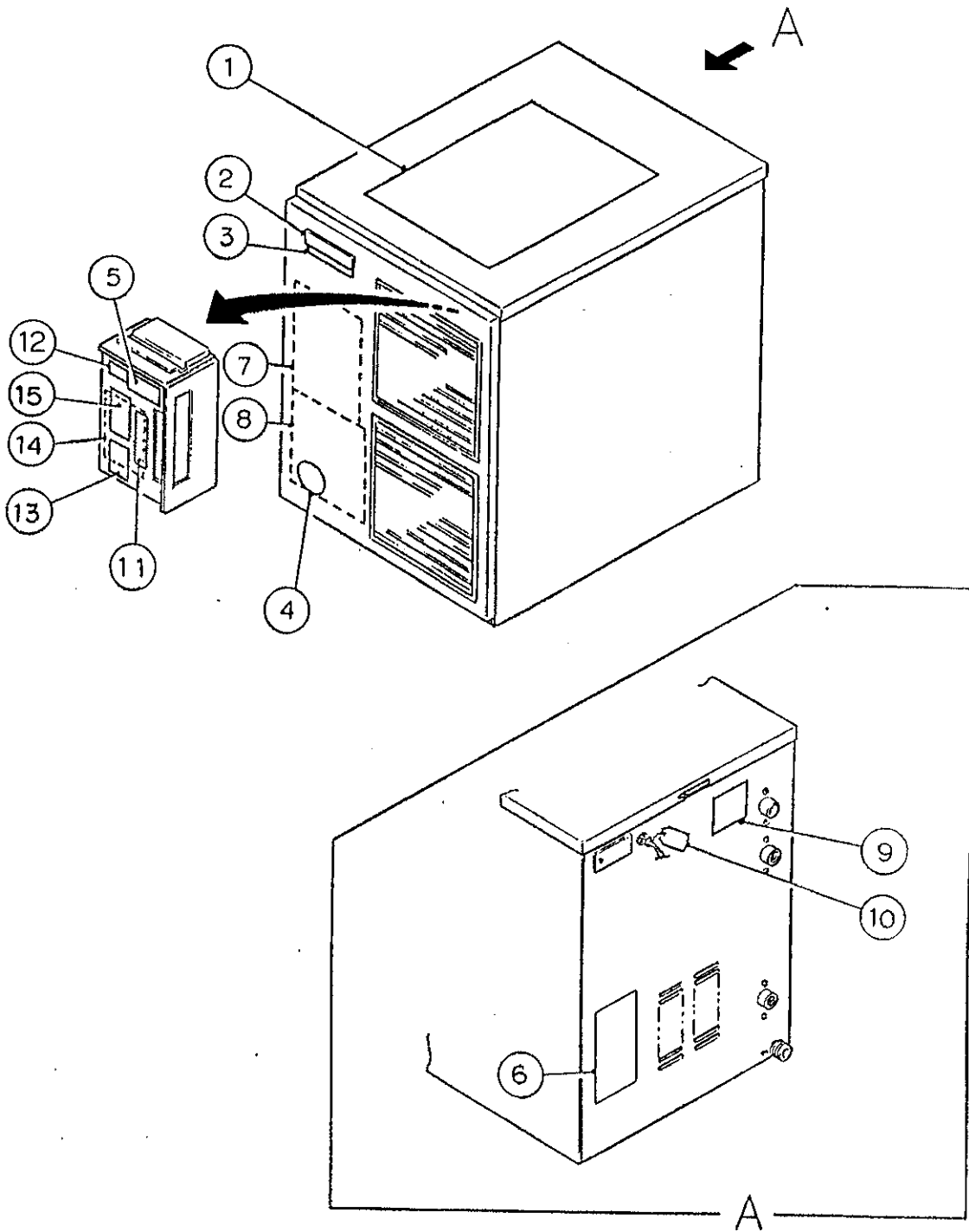


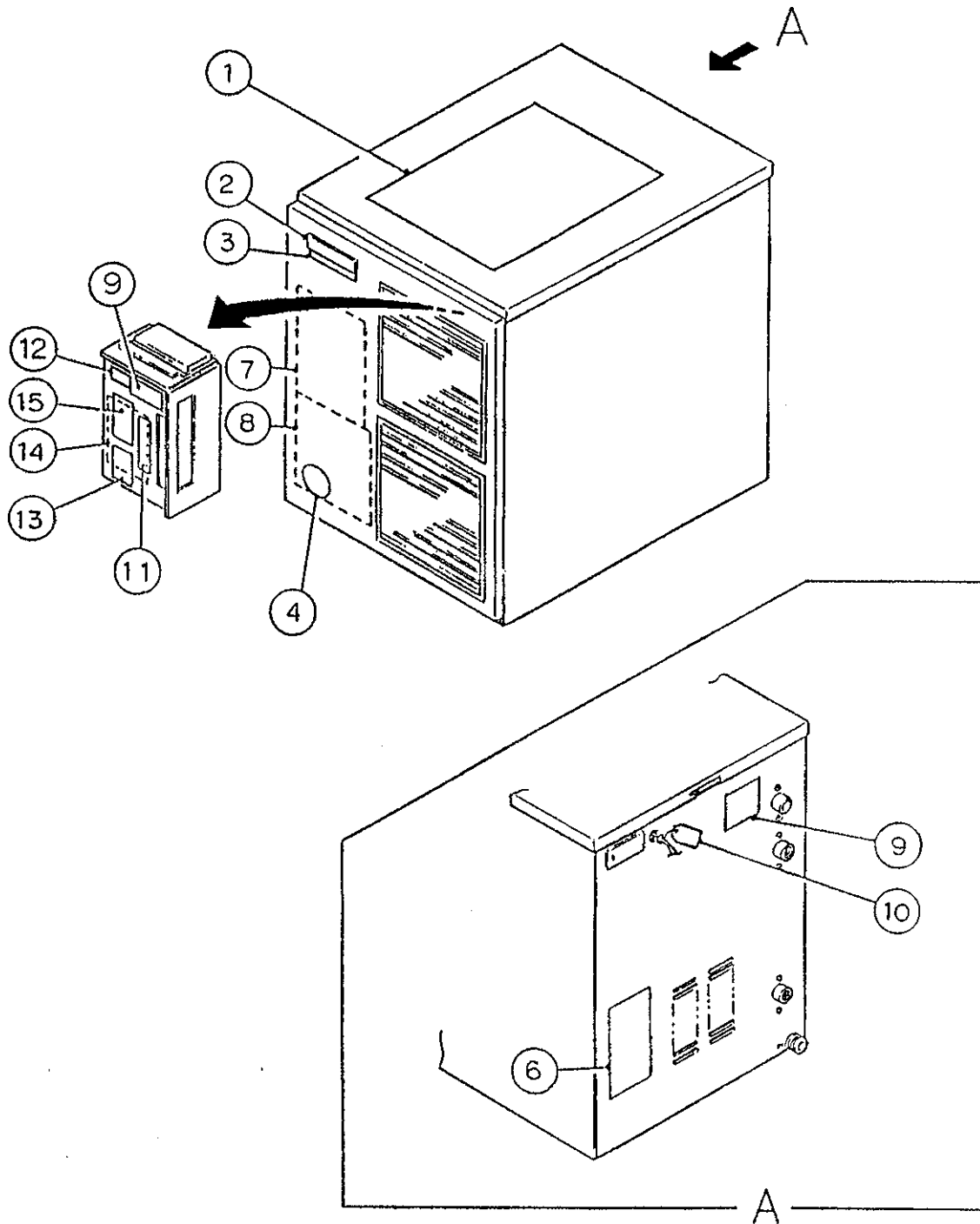




| MODEL: F-1000MAE TITLE: G. LABEL LOCATION | | | | | | | | | | | | | |
|---|-----------------------------------|--------------------------|-------------|------------------------|-------------------------|-----|-----|-----|-----|------------|-----|------------|-----|
| INDEX NO. | DESCRIPTION | MATERIAL OR MODEL NUMBER | PART NUMBER | REQUIRED NUMBER | | | | | | | | | |
| | | | | D10501 through D10535L | D10536M through D11126J | D-2 | E-0 | E-1 | F-0 | F-1 G-0 | G-1 | G-2 H-2 | J-0 |
| 1 | INSTRUCTION SHEET | PAPER | 2A0914-01 | 1 | 1 | 1 | 1 | 1 | 1 | 1 | 1 | 1 | |
| 2 | EMBLEM (L) - HOSHIZAKI | ABS | 418634G01 | 1 | 1 | x1 | | | | | | | |
| | EMBLEM | PETP FILM | 4A0560-01 | | | o1 | 1 | 1 | 1 | 1 | 1 | 1 | |
| 3 | MODEL NUMBER LABEL | PETP FILM | 435985-28 | 1 | 1 | 1 | 1 | 1 | 1 | 1 | 1 | 1 | |
| 4 | LABEL-PENGUIN (R) | PETP FILM | 410994-01 | 1 | 1 | x1 | | | | | | | |
| | LABEL-PENGUIN-HA-R | PETP FILM | 4A0526-01 | | | o1 | 1 | 1 | 1 | 1 | 1 | 1 | |
| 5 | RATING LABEL | PES FILM | 444554-01 | 1 | - | | | | | | | | |
| 6 | LABEL-AIR FILTER | PETP FILM | 426177-01 | 1 | 1 | 1 | 1 | 1 | 1 | 1 | 1 | 1 | |
| 7 | INSTRUCTION LABEL | PVC FILM | 326371-01 | 1 | 1 | 1 | 1 | 1 | 1 | 1 | 1 | 1 | |
| 8 | LABEL-CLEANING | PVC FILM | 326370-01 | 1 | 1 | 1 | 1 | 1 | 1 | 1 | 1 | 1 | |
| 9 | NAMEPLATE | PES FILM | 444557-01 | 1 | - | | | | | | | | |
| | | PES FILM | 4A0385-01 | | 2 | - | | | | | | | |
| | | PES FILM | 3A0345-01 | | | 2 | 2 | 2 | 2 | 2 | 2 | 2 | |
| 10 | TAG-WARNING:ELECTRICAL CONNECTION | PAPER | 428430-01 | 1 | 1 | 1 | 1 | 1 | 1 | 1 | 1 | 1 | |
| 11 | CONTROL LABEL | PVC FILM | 435948-01 | 1 | 1 | 1 | 1 | 1 | 1 | 1 | 1 | 1 | |
| 12 | LABEL-R22 | PES FILM | 440362-01 | 1 | 1 | 1 | 1 | 1 | 1 | 1 | 1 | 1 | |
| 13 | CAUTION LABEL (E) | PVC FILM | 439145-01 | 1 | 1 | 1 | 1 | 1 | 1 | 1 | 1 | 1 | |
| 14 | WIRING LABEL | PVC FILM | 219038-01 | 1 | 1 | - | | | | | | | |
| | | PVC FILM | 2A0308-01 | | | 1 | 1 | 1 | 1 | - | | | |
| | | PVC FILM | 2A0604-01 | | | | | | | 1 | 1 | 1 | |
| 15 | INSTRUCTION SHEET | PAPER | 433523-01 | 1 | 1 | 1 | 1 | 1 | 1 | 1 | 1 | 1 | |
| 16 | CAUTION LABEL (H) | PVC FILM | 439148-01 | 1 | 1 | 1 | 1 | 1 | 1 | 1 | 1 | 1 | |
| | | | | | | | | | | | | | |
| | | | | | | | | | | | | | |
| | | | | | | | | | | | | | |
| | | | | | | | | | | | | | |
| | | | | | | | | | | | | | |
| | | | | | | | | | | | | | |

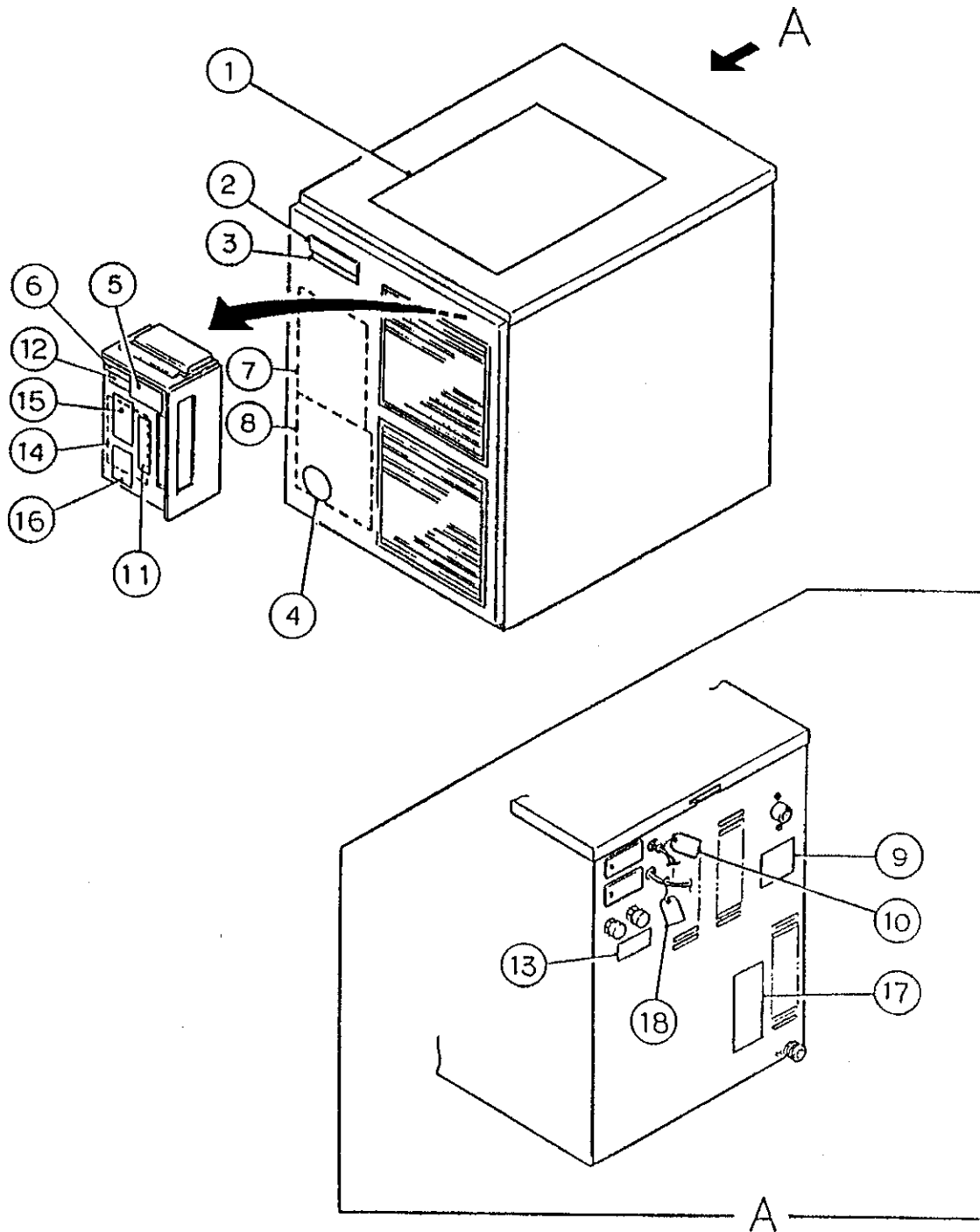
| MODEL: F-1000MAE-C TITLE: G. LABEL LOCATION | | | | | | | | | | | | | | |
|---|-----------------------------------|--------------------------|-------------|-----------------|-----|-----|-----|-----|-----|-----|-----|-----|--|--|
| INDEX NO. | DESCRIPTION | MATERIAL OR MODEL NUMBER | PART NUMBER | REQUIRED NUMBER | | | | | | | | | | |
| | | | | E-0 | E-1 | F-0 | F-1 | F-2 | G-0 | G-1 | H-2 | J-0 | | |
| 1 | INSTRUCTION SHEET | PAPER | 2A0914-01 | 1 | 1 | 1 | 1 | 1 | 1 | 1 | 1 | 1 | | |
| 2 | EMBLEM | PETP FILM | 4A0560-01 | 1 | 1 | 1 | 1 | 1 | 1 | 1 | 1 | 1 | | |
| 3 | MODEL NUMBER LABEL | PETP FILM | 435985-31 | 1 | 1 | 1 | 1 | 1 | 1 | 1 | 1 | 1 | | |
| 4 | LABEL-PENGUIN-HA-R | PETP FILM | 4A0526-01 | 1 | 1 | 1 | 1 | 1 | 1 | 1 | 1 | 1 | | |
| 5 | - | - | - | | | | | | | | | | | |
| 6 | LABEL-AIR FILTER | PETP FILM | 426177-01 | 1 | 1 | 1 | 1 | 1 | 1 | 1 | 1 | 1 | | |
| 7 | INSTRUCTION LABEL | PVC FILM | 326371-01 | 1 | 1 | 1 | 1 | 1 | 1 | 1 | 1 | 1 | | |
| 8 | LABEL-CLEANING | PVC FILM | 326370-01 | 1 | 1 | 1 | 1 | 1 | 1 | 1 | 1 | 1 | | |
| 9 | NAMEPLATE | PES FILM | 3A0345-04 | 2 | 2 | 2 | 2 | 2 | 2 | 2 | 2 | 1 | | |
| 10 | TAG-WARNING:ELECTRICAL CONNECTION | PAPER | 428430-01 | 1 | 1 | 1 | 1 | 1 | 1 | 1 | 1 | 1 | | |
| 11 | CONTROL LABEL | PVC FILM | 435948-01 | 1 | 1 | 1 | 1 | 1 | 1 | 1 | 1 | x1 | | |
| | | - | 4A1613-01 | | | | | | | | | o1 | | |
| 12 | LABEL-R22 | PES FILM | 440362-01 | 1 | 1 | 1 | 1 | 1 | 1 | 1 | 1 | 1 | | |
| 13 | CAUTION LABEL (E) | PVC FILM | 439145-01 | 1 | 1 | 1 | 1 | 1 | 1 | 1 | 1 | 1 | | |
| 14 | WIRING LABEL | PVC FILM | 2A0308-01 | 1 | 1 | 1 | - | | | | | | | |
| | | PVC FILM | 2A0604-01 | | | | 1 | 1 | 1 | 1 | 1 | - | | |
| | | - | 2A1495-01 | | | | | | | | | 1 | | |
| 15 | INSTRUCTION SHEET | PAPER | 433523-01 | 1 | 1 | 1 | 1 | 1 | 1 | 1 | 1 | 1 | | |
| 16 | CAUTION LABEL (H) | PVC FILM | 439148-01 | 1 | 1 | 1 | 1 | 1 | 1 | 1 | 1 | 1 | | |
| 17 | RATING LABEL | - | 3A1127-01 | | | | | | | | | 1 | | |
| 18 | LABEL (GM) – FUSE | - | 4A1614-01 | | | | | | | | | 1 | | |
| | | | | | | | | | | | | | | |
| | | | | | | | | | | | | | | |
| | | | | | | | | | | | | | | |
| | | | | | | | | | | | | | | |
| | | | | | | | | | | | | | | |
| | | | | | | | | | | | | | | |

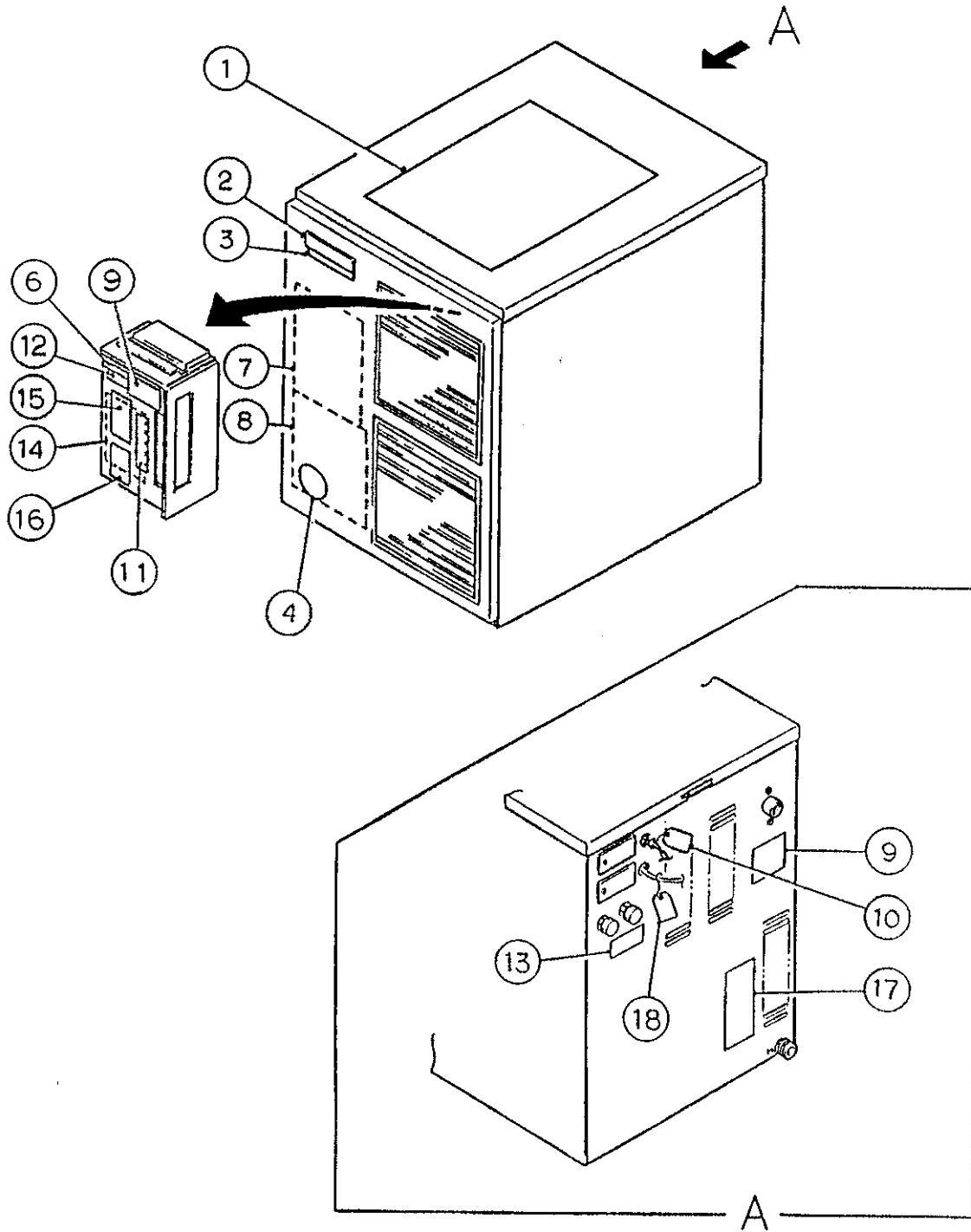




| MODEL: F-1000MWE TITLE: G. LABEL LOCATION | | | | | | | | | | | | |
|---|-----------------------------------|--------------------------|-------------|------------------------|-------------------------|-----|-----|-----|-----|------------|-----|------------|
| INDEX NO. | DESCRIPTION | MATERIAL OR MODEL NUMBER | PART NUMBER | REQUIRED NUMBER | | | | | | | | |
| | | | | D10501 through D10535L | D10536M through D10650H | D-2 | E-0 | E-1 | F-0 | F-1 G-0 | G-1 | G-2 H-2 |
| 1 | INSTRUCTION SHEET | PAPER | 2A0914-01 | 1 | 1 | 1 | 1 | 1 | 1 | 1 | 1 | 1 |
| 2 | EMBLEM (L) - HOSHIZAKI | ABS | 418634G01 | 1 | 1 | x1 | | | | | | |
| | EMBLEM | PETP FILM | 4A0560-01 | | | o1 | 1 | 1 | 1 | 1 | 1 | 1 |
| 3 | MODEL NUMBER LABEL | PETP FILM | 435985-30 | 1 | 1 | 1 | 1 | 1 | 1 | 1 | 1 | 1 |
| 4 | LABEL-PENGUIN (R) | PETP FILM | 410994-01 | 1 | 1 | x1 | | | | | | |
| | LABEL-PENGUIN-HA-R | PETP FILM | 4A0526-01 | | | o1 | 1 | 1 | 1 | 1 | 1 | 1 |
| 5 | RATING LABEL | PES FILM | 444556-01 | 1 | - | | | | | | | |
| 6 | INSTRUCTION SHEET | PAPER | 433523-01 | 1 | 1 | 1 | 1 | 1 | 1 | 1 | 1 | 1 |
| 7 | INSTRUCTION LABEL | PVC FILM | 326371-01 | 1 | 1 | 1 | 1 | 1 | 1 | 1 | 1 | 1 |
| 8 | LABEL-CLEANING | PVC FILM | 326370-01 | 1 | 1 | 1 | 1 | 1 | 1 | 1 | 1 | 1 |
| 9 | NAMEPLATE | PES FILM | 444559-01 | 1 | - | | | | | | | |
| | | PES FILM | 4A0386-01 | | 2 | - | | | | | | |
| | | PES FILM | 3A0345-02 | | | 2 | 2 | 2 | 2 | 2 | 2 | 2 |
| 10 | TAG-WARNING:ELECTRICAL CONNECTION | PAPER | 428430-01 | 1 | 1 | 1 | 1 | 1 | 1 | 1 | 1 | 1 |
| 11 | CONTROL LABEL | PVC FILM | 435948-01 | 1 | 1 | 1 | 1 | 1 | 1 | 1 | 1 | 1 |
| 12 | LABEL-R22 | PES FILM | 440362-01 | 1 | 1 | 1 | 1 | 1 | 1 | 1 | 1 | 1 |
| 13 | CAUTION LABEL (E) | PVC FILM | 439145-01 | 1 | 1 | 1 | 1 | 1 | 1 | 1 | 1 | 1 |
| 14 | WIRING LABEL | PVC FILM | 219034-01 | 1 | 1 | - | | | | | | |
| | | PVC FILM | 2A0307-01 | | | 1 | 1 | 1 | 1 | - | | |
| | | PVC FILM | 2A0605-01 | | | | | | | 1 | 1 | 1 |
| 15 | CAUTION LABEL (H) | PVC FILM | 439148-01 | 1 | 1 | 1 | 1 | 1 | 1 | 1 | 1 | 1 |
| | | | | | | | | | | | | |
| | | | | | | | | | | | | |
| | | | | | | | | | | | | |
| | | | | | | | | | | | | |
| | | | | | | | | | | | | |
| | | | | | | | | | | | | |
| | | | | | | | | | | | | |

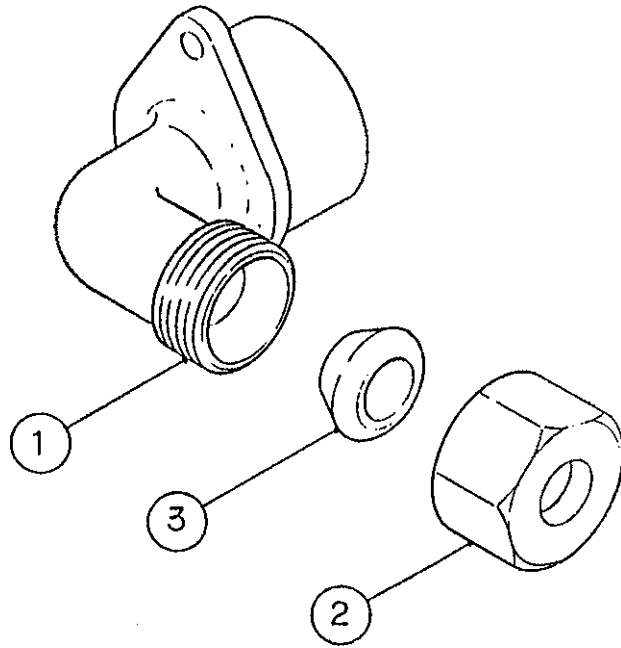
| MODEL: F-1000MWE-C TITLE: G. LABEL LOCATION | | | | | | | | | | | | | |
|---|---------------------------------------|--------------------------|---------------------------|-----------------|-----|-----|-----|-----|--|--|--|--|--|
| INDEX NO. | DESCRIPTION | MATERIAL OR MODEL NUMBER | PART NUMBER | REQUIRED NUMBER | | | | | | | | | |
| | | | | E-1 | F-0 | F-1 | G-0 | G-1 | | | | | |
| 1 | INSTRUCTION SHEET | PAPER | 2A0914-01 | 1 | 1 | 1 | 1 | 1 | | | | | |
| 2 | EMBLEM | PETP FILM | 4A0560-01 | 1 | 1 | 1 | 1 | 1 | | | | | |
| 3 | MODEL NUMBER LABEL | PETP FILM | 435985-33 | 1 | 1 | 1 | 1 | 1 | | | | | |
| 4 | LABEL-PENGUIN-HA-R | PETP FILM | 4A0526-01 | 1 | 1 | 1 | 1 | 1 | | | | | |
| 5 | - | - | - | | | | | | | | | | |
| 6 | INSTRUCTION SHEET | PAPER | 433523-01 | 1 | 1 | 1 | 1 | 1 | | | | | |
| 7 | INSTRUCTION LABEL | PVC FILM | 326371-01 | 1 | 1 | 1 | 1 | 1 | | | | | |
| 8 | LABEL-CLEANING | PVC FILM | 326370-01 | 1 | 1 | 1 | 1 | 1 | | | | | |
| 9 | NAMEPLATE | PES FILM | 3A0345-05 | 2 | 2 | 2 | 2 | 2 | | | | | |
| 10 | TAG-WARNING: ELECTRICAL CONNECTION | PAPER | 428430-01 | 1 | 1 | 1 | 1 | 1 | | | | | |
| 11 | CONTROL LABEL | PVC FILM | 435948-01 | 1 | 1 | 1 | 1 | 1 | | | | | |
| 12 | LABEL-R22 | PES FILM | 440362-01 | 1 | 1 | 1 | 1 | 1 | | | | | |
| 13 | CAUTION LABEL (E) | PVC FILM | 439145-01 | 1 | 1 | 1 | 1 | 1 | | | | | |
| 14 | WIRING LABEL | PVC FILM | 2A0307-01 | 1 | 1 | 1 | - | | | | | | |
| | | PVC FILM | 2A0605-01 | | | | 1 | 1 | | | | | |
| 15 | CAUTION LABEL (H) | PVC FILM | 439148-01 | 1 | 1 | 1 | 1 | 1 | | | | | |
| | | | | | | | | | | | | | |
| | | | | | | | | | | | | | |
| | | | | | | | | | | | | | |
| | | | | | | | | | | | | | |
| | | | | | | | | | | | | | |
| | | | | | | | | | | | | | |
| | | | | | | | | | | | | | |
| | | | | | | | | | | | | | |
| | | | | | | | | | | | | | |
| | | | | | | | | | | | | | |

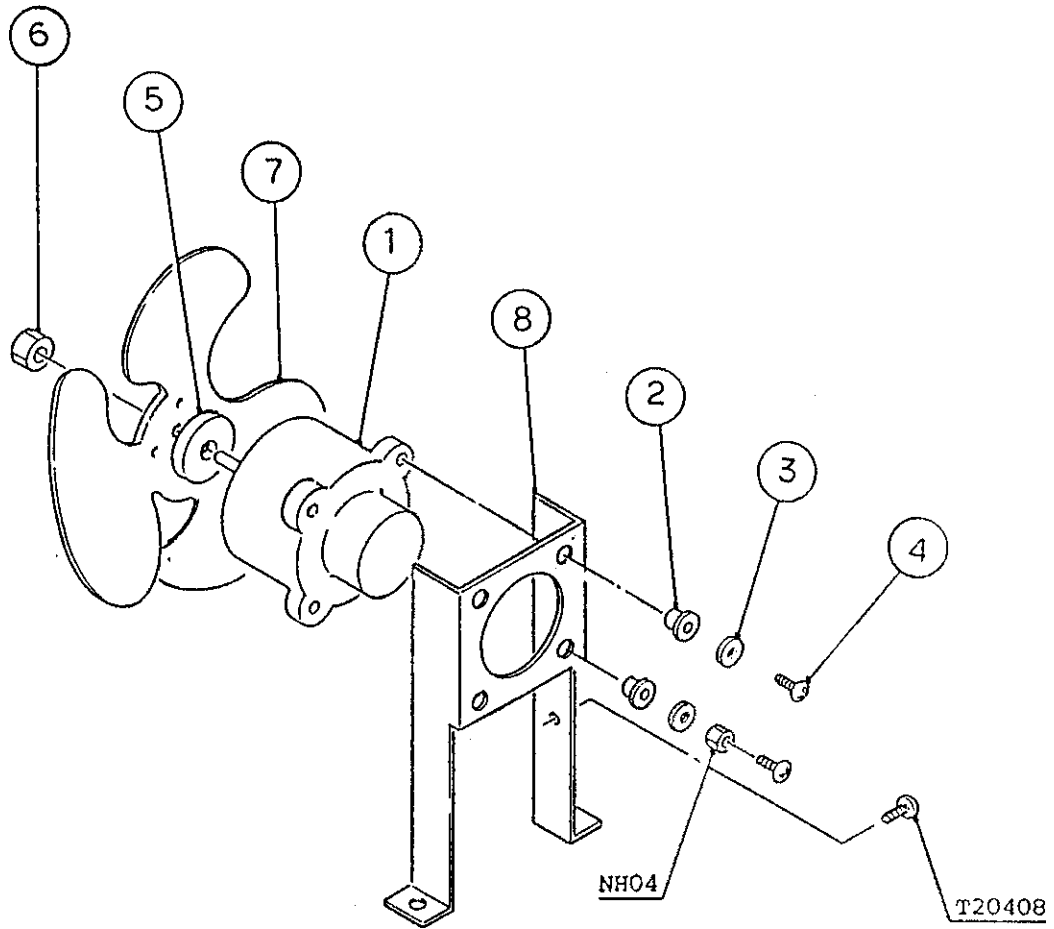


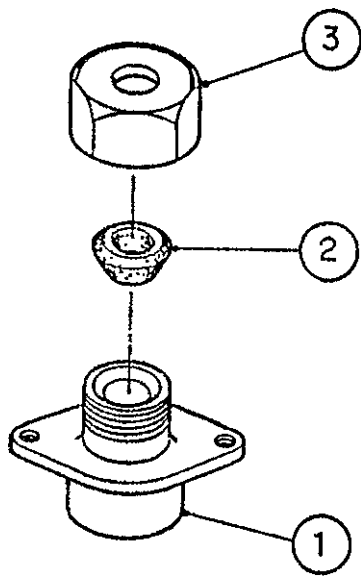


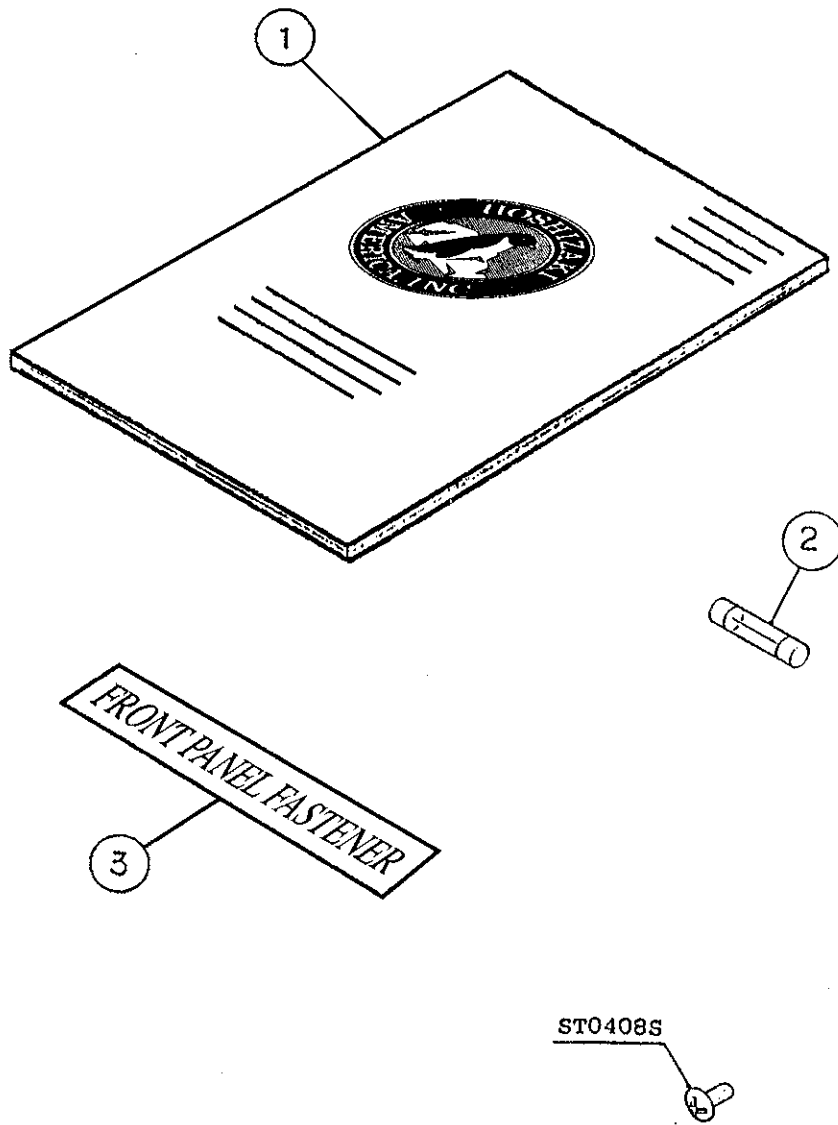
| MODEL: F-1000MRE TITLE: G. LABEL LOCATION | | | | | | | | | | | | | |
|---|---------------------------------------|--------------------------|-------------|------------------------|-------------------------|-----|-----|-----|-----|-----|-----|-----|--|
| INDEX NO. | DESCRIPTION | MATERIAL OR MODEL NUMBER | PART NUMBER | REQUIRED NUMBER | | | | | | | | | |
| | | | | D10501 through D10535L | D10536M through D10736J | D-2 | E-1 | F-0 | F-1 | G-0 | G-1 | H-2 | |
| 1 | INSTRUCTION SHEET | PAPER | 2A0914-01 | 1 | 1 | 1 | 1 | 1 | 1 | 1 | 1 | 1 | |
| 2 | EMBLEM (L) - HOSHIZAKI | ABS | 418634G01 | 1 | 1 | x1 | | | | | | | |
| | EMBLEM | PETP FILM | 4A0560-01 | | | o1 | 1 | 1 | 1 | 1 | 1 | 1 | |
| 3 | MODEL NUMBER LABEL | PETP FILM | 435985-29 | 1 | 1 | 1 | 1 | 1 | 1 | 1 | 1 | 1 | |
| 4 | LABEL-PENGUIN (R) | PETP FILM | 410994-01 | 1 | 1 | x1 | | | | | | | |
| | LABEL-PENGUIN-HA-R | PETP FILM | 4A0526-01 | | | o1 | 1 | 1 | 1 | 1 | 1 | 1 | |
| 5 | RATING LABEL | PES FILM | 444555-01 | 1 | - | | | | | | | | |
| 6 | LABEL-CHARGE | PES FILM | 443221-04 | 1 | 1 | 1 | 1 | 1 | 1 | 1 | 1 | 1 | |
| 7 | INSTRUCTION LABEL | PVC FILM | 326371-01 | 1 | 1 | 1 | 1 | 1 | 1 | 1 | 1 | 1 | |
| 8 | LABEL-CLEANING | PVC FILM | 326370-01 | 1 | 1 | 1 | 1 | 1 | 1 | 1 | 1 | 1 | |
| 9 | NAMEPLATE | PES FILM | 444558-01 | 1 | - | | | | | | | | |
| | | PES FILM | 4A0387-01 | | 2 | - | | | | | | | |
| | | PES FILM | 3A0345-03 | | | 2 | 2 | 2 | 2 | 2 | 2 | 2 | |
| 10 | TAG-WARNING: ELECTRICAL CONNECTION | PAPER | 428430-01 | 1 | 1 | 1 | 1 | 1 | 1 | 1 | 1 | 1 | |
| 11 | CONTROL LABEL | PVC FILM | 435948-01 | 1 | 1 | 1 | 1 | 1 | 1 | 1 | 1 | 1 | |
| 12 | LABEL-R22 | PES FILM | 440362-01 | 1 | 1 | 1 | 1 | 1 | 1 | 1 | 1 | 1 | |
| 13 | LABEL-CONNECTION | PVC FILM | 438234-01 | 1 | 1 | x1 | | | | | | | |
| | CAUTION LABEL | PVC FILM | 441890-01 | | | o1 | 1 | 1 | 1 | 1 | 1 | 1 | |
| 14 | WIRING LABEL | PVC FILM | 219034-01 | 1 | 1 | - | | | | | | | |
| | | PVC FILM | 2A0307-01 | | | 1 | 1 | 1 | - | | | | |
| | | PVC FILM | 2A0605-01 | | | | | 1 | 1 | 1 | 1 | 1 | |
| 15 | CAUTION LABEL(H) | PVC FILM | 439148-01 | 1 | 1 | 1 | 1 | 1 | 1 | 1 | 1 | 1 | |
| 16 | CAUTION LABEL(E) | PVC FILM | 439145-01 | 1 | 1 | 1 | 1 | 1 | 1 | 1 | 1 | 1 | |
| 17 | INSTRUCTION SHEET | PAPER | 433523-01 | 1 | 1 | 1 | 1 | 1 | 1 | 1 | 1 | 1 | |
| 18 | TAG-FAN MOTOR LEADS | PAPER | 420742-01 | 1 | 1 | 1 | 1 | 1 | 1 | 1 | 1 | 1 | |
| | | | | | | | | | | | | | |
| | | | | | | | | | | | | | |
| | | | | | | | | | | | | | |

| MODEL: F-1000MRE-C TITLE: G. LABEL LOCATION | | | | | | | | | | | | | |
|---|----------------------------|--------------------------|---------------------------|-----------------|-----|-----|-----|-----|-----|---|--|--|--|
| INDEX NO. | DESCRIPTION | MATERIAL OR MODEL NUMBER | PART NUMBER | REQUIRED NUMBER | | | | | | | | | |
| | | | | E-1 | F-0 | F-1 | G-0 | G-1 | H-2 | | | | |
| 1 | INSTRUCTION SHEET | PAPER | 2A0914-01 | 1 | 1 | 1 | 1 | 1 | 1 | | | | |
| 2 | EMBLEM | PETP FILM | 4A0560-01 | 1 | 1 | 1 | 1 | 1 | 1 | | | | |
| 3 | MODEL NUMBER LABEL | PETP FILM | 435985-32 | 1 | 1 | 1 | 1 | 1 | 1 | | | | |
| 4 | LABEL-PENGUIN-HA-R | PETP FILM | 4A0526-01 | 1 | 1 | 1 | 1 | 1 | 1 | | | | |
| | | | | | | | | | | | | | |
| 6 | LABEL-CHARGE | PVC FILM | 443221-04 | 1 | 1 | 1 | 1 | 1 | 1 | | | | |
| 7 | INSTRUCTION LABEL | PVC FILM | 326371-01 | 1 | 1 | 1 | 1 | 1 | 1 | | | | |
| 8 | LABEL-CLEANING | PVC FILM | 326370-01 | 1 | 1 | 1 | 1 | 1 | 1 | | | | |
| 9 | NAMEPLATE | PES FILM | 3A0345-06 | 2 | 2 | 2 | 2 | 2 | 2 | | | | |
| 10 | TAG-WARNING: ELECTRICAL | PAPER | 428430-01 | 1 | 1 | 1 | 1 | 1 | 1 | | | | |
| | CONNECTION | | | | | | | | | | | | |
| 11 | CONTROL LABEL | PES FILM | 435948-01 | 1 | 1 | 1 | 1 | 1 | 1 | | | | |
| 12 | LABEL-R22 | PES FILM | 440362-01 | 1 | 1 | 1 | 1 | 1 | 1 | | | | |
| 13 | CAUTION LABEL | PVC FILM | 441890-01 | 1 | 1 | 1 | 1 | 1 | 1 | | | | |
| 14 | WIRING LABEL | PVC FILM | 2A0307-01 | 1 | 1 | - | | | | - | | | |
| | | PVC FILM | 2A0605-01 | | | 1 | 1 | 1 | 1 | | | | |
| 15 | CAUTION LABEL(H) | PVC FILM | 439148-01 | 1 | 1 | 1 | 1 | 1 | 1 | | | | |
| 16 | CAUTION LABEL(E) | PVC FILM | 439145-01 | 1 | 1 | 1 | 1 | 1 | 1 | | | | |
| 17 | INSTRUCTION SHEET | PAPER | 433523-01 | 1 | 1 | 1 | 1 | 1 | 1 | | | | |
| 18 | TAG-FAN MOTOR LEADS | PAPER | 420742-01 | 1 | 1 | 1 | 1 | 1 | 1 | | | | |
| | | | | | | | | | | | | | |
| | | | | | | | | | | | | | |
| | | | | | | | | | | | | | |
| | | | | | | | | | | | | | |
| | | | | | | | | | | | | | |
| | | | | | | | | | | | | | |









HA

F-1000MAE(-C), MWE(-C), MRE(-C)

L. ACCESSORIES

D10536M-D11126J, D-2, E-0
E-1, F-0, F-1, F-2, G-0, G-1,
G-2, H-2, J-0

