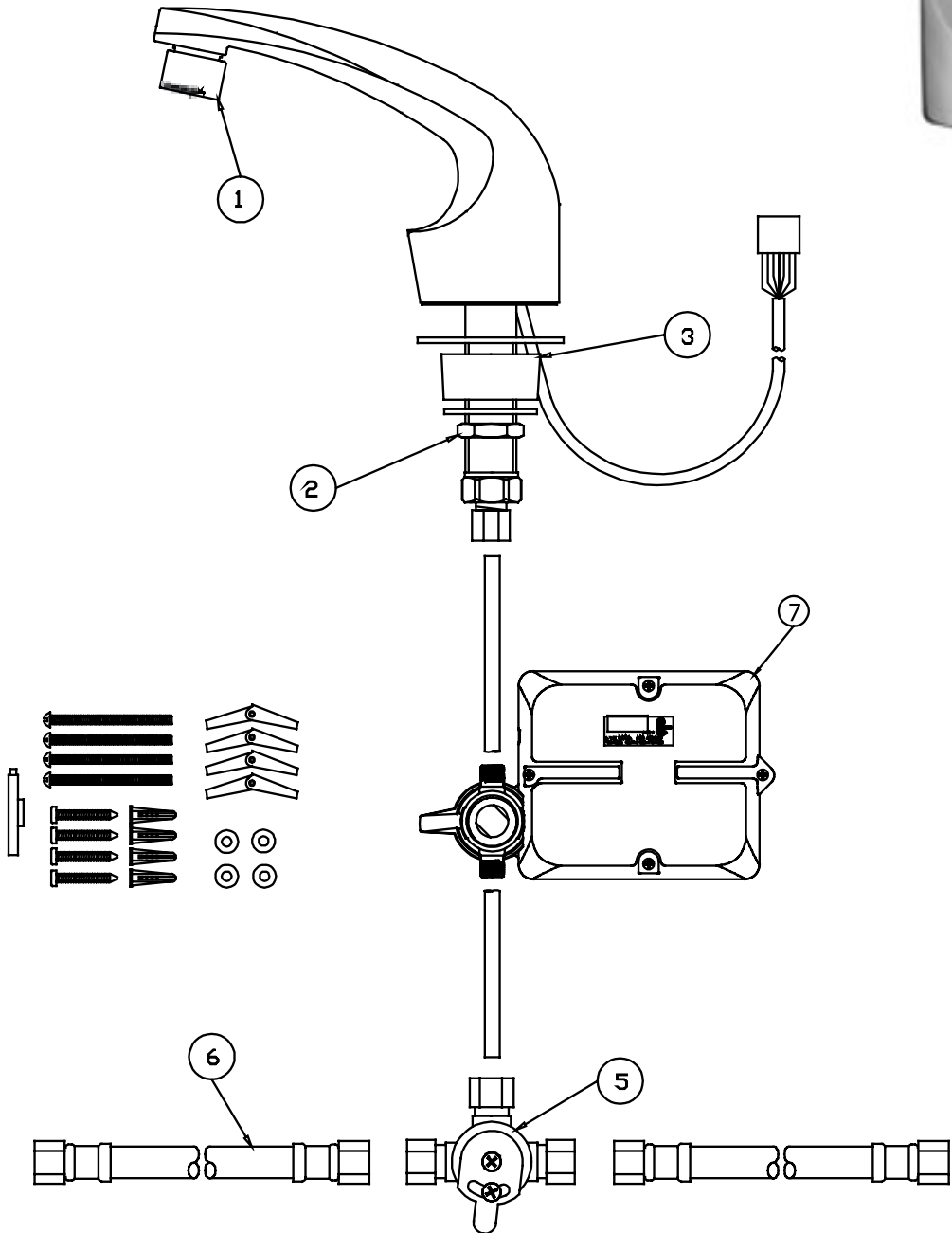


# EV-2102



**Vision DC Wallmount Gooseneck**

- |   |                           |                           |
|---|---------------------------|---------------------------|
| 1 | Aerator                   | <a href="#">B-0199-01</a> |
| 2 | Nut, Shank                | 001801-20                 |
| 3 | Sensor, Electronic Faucet | 013491-45                 |
| 5 | Valve, Leonard Mixing     | <a href="#">013130-45</a> |
| 6 | Hose, Supply, Braided     | <a href="#">013146-45</a> |
| 7 | Asm, DC Control Box       | 013532-40                 |

