

Replacement Parts



List EmberGlo® Steamer Models ES5CTS & ES5CTS18

*Tap Water Operation
Designed to Operate
Without Distilled Water
Self Contained Water Supply*

Automatic Timer/Push Button Operation
Steamer with Water Pan

Date Codes:

Cubic Style Timer Models ES5CTS & ES5CTS18

- first construction January 2014

Replacement Model numbers for Old Style Timer Models, that are no longer manufactured and replaced with the Cubic Style Timer:

ES5TS is replaced with ES5CTS

ES5TS18 is replaced with ES5CTS18

Items listed are replacement parts for the current Model ES5CTS & ES5CTS18 Tap Water Steamers and its components.

- EmberGlo Steamers do not require a separate hood for vapor produced during operation according to the Uniform Mechanical Codes per the International Conference of Building Officials Code.



Installation and Service Manual - 8449-96

<i>Models</i>	<i>Description</i>	<i>Volts</i>	<i>BOMs</i>
1500W			
ES5CTS	Timer Operation with Water Pan	120V	5400754
ES5CTS	Timer Operation with Water Pan	240V	5400756
1800W			
ES5CTS18	Timer Operation with Water Pan	120V	5400755



EmberGlo®

EmberGlo
A Div of Midco® International Inc.
4140 West Victoria Street
Chicago, Illinois 60646
toll free 866.705.0514
tel 773.604.8700
fax 773.604.4070
web www.emberglo.com
e-mail sales@emberglo.com

AVOID ERROR IN PARTS SELECTION. When ordering use complete MIDCO Part Number and Description. Furnish Burner Model Number, Bill of Material Number and Serial Number (if available) from the specification plate found on the product.

IMPORTANT: Availability of parts as well as specifications are subject to change without notice. Please consult factory for item availability.

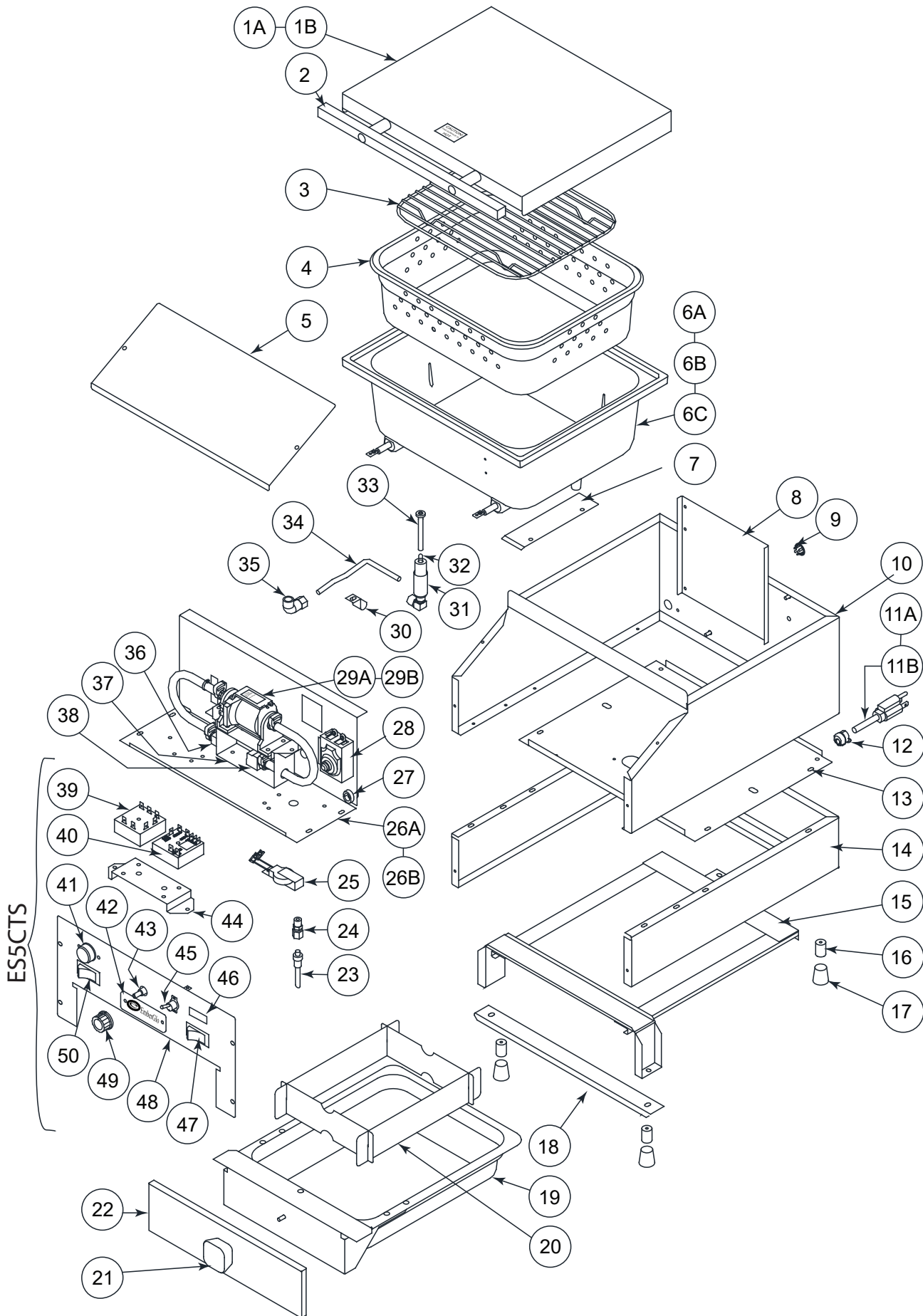


As an ISO 9001:2008 certified company, we proudly design, manufacture and assemble our products in Chicago, Illinois, USA.

Quality Designed for Proven Performance

825
8472 51
Printed in USA

ES5CTS & ES5CTS18 Exploded View

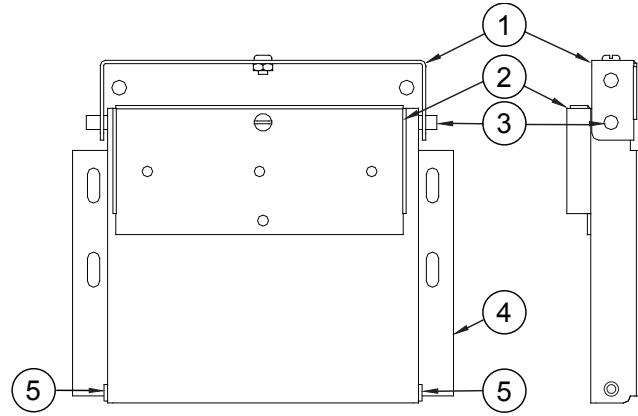


ES5CTS & ES5CTS18 - Replacement Parts

ADJUSTABLE HINGE FOR 2-POSITION LID OPENING (60° OR 90° OPEN)

First construction January 29, 1990 (date code 0590). Steamers built before this date featured a 90° opening lid. Replacement parts for the early construction are no longer available. When replacing order Part Number 1421-45 ADJUSTABLE HINGE RETROFIT KIT.

Part # or Item #	Description	Qty
1	Adjustable Upper Hinge	1
2	Lid Stop Rivetment	1
3	Upper Hinge Bar	1
4	Adjustable Lower Hinge	1
5	5/16" x 3/16" O-Ring	2
Not Shown - (Sold Separately)		
1420-00	Spring bar	2
1420-40	ES5 Hinge Spring	2



As an ISO 9001:2008 certified company, we proudly design, manufacture and assemble our products in Chicago, Illinois, USA.

EmberGlo - A Division of Midco International - 4140 West Victoria Street - Chicago, Illinois 60646

toll free: 866 705 0515 - tel: 773.604.8700 - fax: 773.604.4070 - web: www.emberglo.com - e-mail: sales@emberglo.com



825
8472 51
Printed in USA