

# Installation, Service Instructions & Parts



## AR60 Front Open Self Contained Water Supply Counter Top Steamer Two Thirds Size Pan 120V and 240V Models (240V Model for Export ONLY)

**CAUTION:** This steamer to be used with distilled water only (demineralized). Without treated water, deposits can build up in steam generators causing reduced steam volume and eventual stoppage of steam production. Clogged or limed steam generators caused by use of non-distilled water will not be covered under the terms of the warranty.

AR Series -Self Contained Water Reservoir and Pump - Stainless steel construction, Top injecting, portable, removable water drawer, manual pump or timer, 6' - 3 wire cord.

Special Note: The AR Series requires distilled or demineralized water. Clogged or limed generators caused by use of non-treated water will not be covered under the terms of the warranty.

#### Specifications:

- 120 volts 60HZ AC 1500 watts, max 13 amp
- 240 volts 60HZ AC 1500 watts, max 6.3 amp (240V model is Export Only and not UL listed)
- Manual water pump operation
- Closed generator
- Drawer style steamer

#### Limited Warranty

The Limited Warranty can be found on [www.emberglo.com](http://www.emberglo.com). To file a claim follow the directions given in the warranty, or contact EmberGlo by mail, phone or e-mail.

4140 W. Victoria Street / Chicago, IL 60646  
Phone: 866 705 0514 Fax: 866 580 8700  
E-mail: [orders@emberglo.com](mailto:orders@emberglo.com)

No equipment may be returned without written authorization from EmberGlo (or Midco International Inc.). Returned goods must be shipped prepaid to the factory. This warranty does not apply to damages resulting from accident, misuse, abuse or alteration.



**EmberGlo**

EmberGlo  
A Div of Midco® International Inc.  
4140 West Victoria Street  
Chicago, Illinois 60646  
toll free 866.705.0514  
tel 773.604.8700  
fax 773.604.4070  
web [www.emberglo.com](http://www.emberglo.com)  
e-mail [sales@emberglo.com](mailto:sales@emberglo.com)

| Models | Description                     | Volts | BOMs    |
|--------|---------------------------------|-------|---------|
| AR60   | Manual Operation with Water Pan | 120V  | 5400400 |
| AR60   | Manual Operation with Water Pan | 240V  | 5400406 |

This manual contains sufficient information for installation of the EmberGlo Steamer in normal locations.

In the United States, installation must conform with local codes.

**PURCHASER: Retain these instructions for future use.**  
Post in a prominent location near the steamer.

**CAUTION:** Cooking equipment should be used in an environment protected by an automatic fire suppression system. Consult the National Fire Protection Association NFPA Code 96 or the latest edition of Standards for Installation of Equipment for Removal of Smoke and Grease-Laden Vapors From Commercial Cooking Equipment.

**WARNING: Improper installation, adjustment, alteration, service or maintenance can cause property damage, injury or death. Read the installation, operating and maintenance instructions thoroughly before installing or servicing this equipment.**

**AVOID ERROR IN PARTS SELECTION.** When ordering use complete EMBERGLO Part Number and Description. Furnish Model Number, Bill of Material Number and Serial Number (if available) from the specification plate found on the product. **IMPORTANT:** Availability of parts as well as specifications are subject to change without notice. Please consult factory for item availability.

**SAFETY INFORMATION TERMS:** The following terms are used to identify hazards, safety precaution of special notations and have standard meanings throughout this manual. They are printed in all capital letters using a bold type face as shown below, and preceded by the exclamation mark symbol. When you see the safety alert symbol and one of the safety information terms as shown below, be aware of the hazard potential.



- DANGER:** Identifies the most serious hazards which will result in severe personal injury or death.  
**WARNING:** Signifies a hazard that could result in personal injury or death.  
**CAUTION:** Identifies unsafe practices which would result in minor personal injury or product and property damage.



# AR60 - Installation and Service

## Installation

1. Position steamer on level surface and plug power cord into 3-hole 120 volt AC grounded receptacle. If an adapter is used, it must be grounded properly.
2. Pull out water pan and fill with distilled (NOT HOT OR BOILING) water to 1/4" from the top of the water pan baffles; then close drawer. Unit is now ready for operation.
3. **No Hood Installation Required:** According to the Uniform Mechanical Codes per the International Conference of Building Officials Code EmberGlo Steamers do not require a separate hood for vapor produced during operation. Also, there are no requirements in NSF Standard 4 (2006e) for steamers to have ventilation.

## Operation

1. Move toggle switch to ON position. The pilot indicating light remains on at all times. Allow 15-20 minutes to reach operating temperature.
2. Open food drawer, place food in pan; close drawer and operate lever as required per cooking guide.
3. At end of time cycle, open drawer and remove food.
4. Keep drawer closed when not in use.
5. To shut off unit move toggle switch to OFF position.

**▲ Caution: Operate lever to the left and return to vertical position. Rapid repeated operation will over steam the unit. The amount of steaming necessary is determined by the type and amount of food to be heated. For more than one shot, wait 15 seconds between shots. A "shot" is one operation of the lever.**

## Maintenance Daily as Required

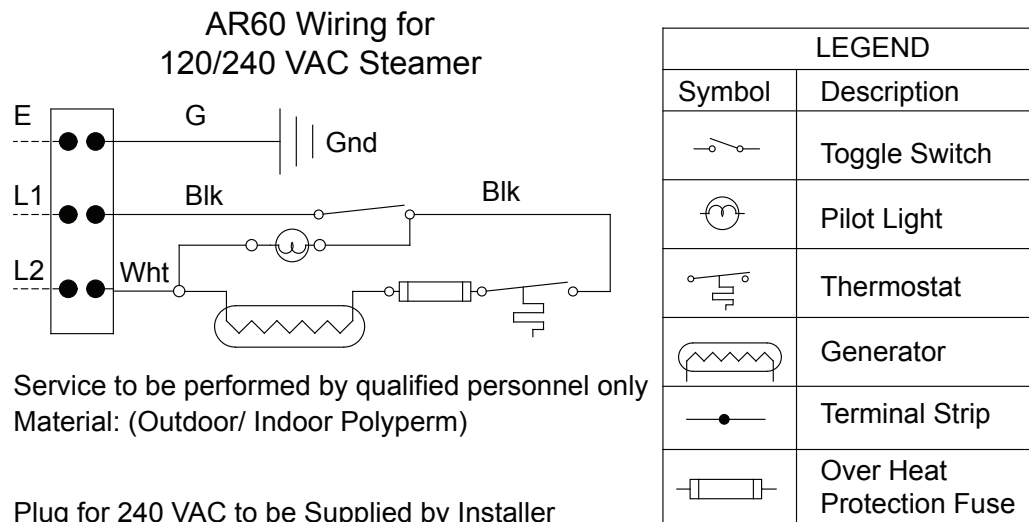
The food pan is removed by lifting up. Clean the inside thoroughly and wipe the outside to remove any material which might have accumulated.

- To remove the food drawer, pull the drawer out until it stops, release stop located at rear underside of drawer to unlock, and pull out the frame. Wipe the drawer and frame clean and return by inserting the drawer slide into the slide of the frame, then push the food pan to the rear until the lock engages automatically.

## Service

**▲ DANGER: READ AND UNDERSTAND THIS BULLETIN THOROUGHLY BEFORE STARTING ANY TROUBLE SHOOTING. AN INADVERTENT SERVICE ERROR COULD RESULT IN SEVERE PERSONAL INJURY OR DEATH. ONLY A TRAINED EXPERIENCED SERVICE TECHNICIAN SHOULD ATTEMPT ANY REPAIR PROCEDURE.**

Qualified serviced agencies are available at most locations - Refer to EmberGlo listing of AUTHORIZED SERVICE AGENCIES included in Standard Equipment Catalog.



*Figure 1. Wiring for AR60 Steamer*

Note: Before attempting service, unplug power cord. For service or examination, all "working parts" of the steamer are exposed by removing first the cabinet top, then the back. The wiring diagram and spare clean out gasket is located on inside of back.

### Electric Switch/Thermostat

The on-off switch should audibly "click" when operated manually. To determine if electrically operative, a continuity check should be made.

- The thermostat is adjusted at the factory default setting. It is not recommended to re-adjust the setting. If found defective it is recommended to replace.

### Pump System

Operate pump lever and observe length of pump shaft travel. It should travel approximately 7/8". If travel is less, check for broken or disengaged pins, links, crank.

- Disconnect brass fitting at water riser tube and bend tube up slightly so discharging water will clear front of unit. Operate pump lever; water should shoot out about 15 feet. If water does not shoot out, remove and inspect inlet tube assembly for leaks. Any air entering tube will break the suction on the water. Check installation and alignment of dip tube spring as detailed under next section. If water still doesn't shoot out, pump should be replaced.
- A strainer is located in the inlet tube at pump fitting. Loosen fitting and remove pump inlet tube. Dump strainer out of tube and wash under running water, then replace.

### Dip Tube and Spring

If the dip tube does not enter the water pan properly it must be replaced. When replacing, the open end or point of hook must be at the bottom and the eye must be in a vertical plane, like a coin standing on edge.

### Steam Generator

1. **To Clean.** Remove cabinet top and generator insulation. This will expose a square plate on the generator, which is removable for cleaning water passages.

- Check the three exposed holes when the clean-out cover is removed. If any of these holes are clogged, clean them out by hand-twisting a 7/64" drill for the center hole and a 3/16" drill for the two side holes.
- After thoroughly cleaning the three holes, plug in power supply and operate lever to steam unit. **THE UNIT MUST BE HOT.** Operate several times to blow out any accumulation.
- Replace the clean out cover, using new gasket. With the unit hot, operate lever. The unit should steam properly. If it does not, and the pump is operative as detailed under PUMP SYSTEM, the entire generator assembly is probably limed and must be disassembled and cleaned or replaced.
- To clean generator assembly, separate casting from plate and clean lime from cavity in casting.

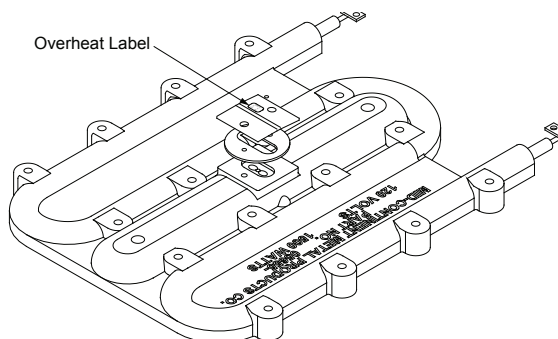
▲ **Caution: Do not damage plate by scratching or polishing the finish.**

2. Information on use of the overheat label (8451-98)

▲ **Caution: To prevent accidental shock, disconnect electrical plug from receptacle before attempting service.**

- An overheat label is located on the clean-out cover of the steam generator. The triangle in the center of the label, as shown below, is normally gold color. This triangle turns black at 450° F, indicating that the generator has overheated at least once. The operating temperature of the generator should be between 350° and 400° F. If it is not, the thermostat should be replaced.

Note: the overheat label will not return to its original gold color once it has turned black. It should be scraped off and replaced so that the thermostat can be monitored at all times. In addition, in the event that the thermostat has to be replaced, it is important to replace the label immediately afterwards so that someone at a later inspection will not suspect a faulty thermostat.

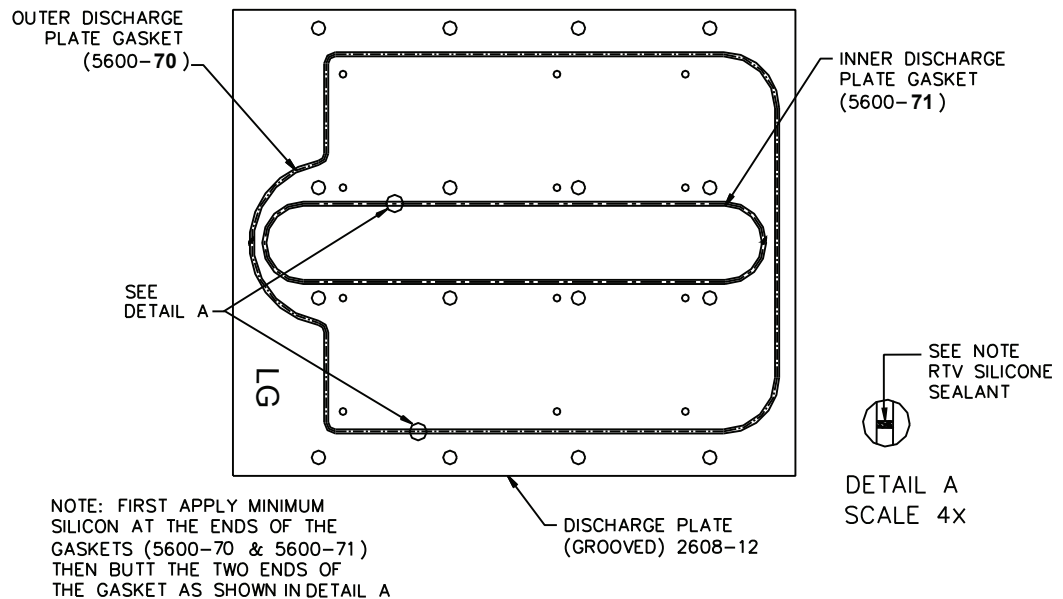


**Figure 2. Steam Generator Overheat Label Placement**

# AR60 - Service and Trouble Shooting

## Service Continued

3. **To Remove.**
  - Disconnect the water riser tube.
  - Disconnect electric wiring at the two terminals.
  - Remove 16 hex nuts. Note: Remove food drawer and hold screws up to prevent turning.
  - Lift off generator.
4. **To Replace.**
  - Install the gaskets in the discharge plate grooves as shown in *Figure 3*.
  - Place discharge plate & gasket assembly on the steamer (gasket facing up towards generator) so that steam holes line up with the twelve round holes in steam chamber.
  - Place the generator (#5655-90) on the above assembly so that mounting holes line up with the sixteen round holes in the discharge plate. Tape the carriage bolts in place from inside steam chamber and then tighten the nuts with lock washers. Remove all the tape.



*Figure 3. Generator Casting*

## Trouble Chart

1. Unit will not heat up; light out.
  - a. No power.
  - b. Plug out.
  - c. Loose internal connection.
  - d. Defective switch.
2. Unit will not heat up; light on.
  - a. Defective thermostat.
  - b. Loose heating element connection.
  - c. Defective generator unit.
  - d. Defective thermal fuse or open
3. Unit heats up light will not light.
  - a. Defective light in switch.
  - b. Loose connection.
4. Unit heats up; does not steam.
  - a. No water in pan.
  - b. Defective pump.
  - c. Cam, pins or linkage broken or disengaged.
  - d. Leak in inlet tube.
  - e. Dip tube spring assembly misaligned.
  - f. Clogged steam generator.

Note: If electrical trouble is other than loose connections, it is recommended that parts be replaced rather than repaired.

# Heating and Cooking Guide

## Cooking Instructions

These suggestions are made only to help the operator get started. Since each location will have different portions and different requirements, each operator must determine his own operation habits. Please remember that the steamer conserves its steam in the drawer and therefore does not often need repeated shots. The main exception is when frozen product must be defrosted.

**If a product is at room temperature or refrigerated**, start with 2 shots. This ensures that the food pan is full of steam.

**If a product is frozen**, start with 3 shots because condensation on the cold product eliminates the steam quickly.

| Breads    | Refrigerated          | Frozen     |
|-----------|-----------------------|------------|
| Bread     | 1 to 2 shots of steam | 2 min      |
| Bagels    | 1 to 2 min            | 3 to 4 min |
| Croissant | 15 seconds            |            |
| Muffin    | 1-2 shots of steam    |            |
| Pastries  | 1 to 2 min            | 3 to 4 min |
| Tamales   | 5 min                 | 10 min     |
| Tortillas | 1 shot of steam       | 10 seconds |

| Eggs           |       |  |
|----------------|-------|--|
| Soft Boiled    | 6 min |  |
| Poached        | 3 min |  |
| Scrambled (dz) | 5 min |  |

| Meat                       |            |              |
|----------------------------|------------|--------------|
| Bratwurst                  | 8 min      | 16 min       |
| Breakfast sausage          | 8 min      | 14 min       |
| Chicken breast (lg)        | 15 min     | 25 to 30 min |
| Chicken breast (precooked) | 5 min      | 15 min       |
| Deli meats                 | 2 to 3 min |              |
| Hamburger (precooked)      | 4 min      | 4 min        |
| Hot dogs                   | 4 min      | 8 min        |
| Italian sausage            | 4 min      | 8 min        |
| Ribs (precooked)           | 10 min     | 18 min       |

| Noodles and Rice                                   |       |             |
|--|-------|-------------|
| Macaroni (2 qt. cooked, 1 pt. water, 2 oz. oil)    |       | 5 min       |
| Egg Noodles (2 qt. cooked, 1 pt. water, 2 oz. oil) |       | 6 to 7 min  |
| Rice (precooked)                                   | 5 min | 8 to 10 min |
| Spaghetti (2 qt. cooked, 1 pt. water)              |       | 5 min       |

| Vegetables                           | Refrigerated | Frozen |
|--------------------------------------|--------------|--------|
| Artichokes                           | 25 to 30 min | 50 min |
| Asparagus                            | 10 min       | 14 min |
| Brussels                             | 15 min       | 18 min |
| Broccoli                             | 10 min       | 12 min |
| Carrots sliced                       | 4 min        | 8 min  |
| Carrots whole baby (2 lb)            | 15 to 20 min |        |
| Cauliflower                          | 12 min       | 16 min |
| Corn on the cob                      | 3 min        | 5 min  |
| Fennel                               | 10 min       |        |
| Green beans                          | 4 min        | 8 min  |
| Pea pods                             | 6 min        | 9 min  |
| Peas                                 | 5 min        | 8 min  |
| Potatoes 8 whole (3 oz each)         |              | 20 min |
| Potatoes mashed (2 qt)               | 8 min        |        |
| Squash, Acorn 4 (8 oz each)          | 12 to 20 min |        |
| Squash, Zucchini -sliced frozen (1b) |              | 10 Min |

| Seafood            |       |              |
|--------------------|-------|--------------|
| Large clams        | 4 min | 8 min        |
| King crab          | 8 min | 12 min       |
| Snow crab          | 6 min | 10 min       |
| Fish filets        | 6 min | 8 to 10 min  |
| Lobster 8 oz Tails | 8 min | 14 to 16 min |
| Scallops           | 5 min | 8 to 10 min  |
| Shrimp             | 4 min | 6 min        |



# AR60 Parts List

| Item | Part #   | Description   | Qty | Item                            | Part #   | Description                  | Qty |
|------|----------|---|-----|---------------------------------|--|------------------------------|-----|
| 1    | 5600-73  | General Gasket Kit  | 1   | Not Shown                       |  |                              |     |
| 2    | 2641-00  | Kit: Discharge Plate & Generator – 120V   | 1   |                                 | 2618-00M   | Power Cord (120V)            | 1   |
| 3    | 5601-90  | Clean Out Cover   | 1   |                                 | 5600-67  | Pump Shoulder Bolt Kit       | 1   |
| 4    | 5602-20P | Clean Out Gasket  | 1   |                                 | 5627-20  | Clean Out Gasket Kit         | 1   |
| 5    | 5661-64  | Spring Anchor Bracket   | 1   |                                 | 5655-06  | Generator 240V               | 1   |
| 6    | 5676-50  | AR60 Cabinet Top  | 1   |                                 | 5663-25  | Pump Link                    | 1   |
| 7    | 5677-00  | AR60 Cabinet Back   | 1   |                                 | 5663-50  | Pump, Link, and Cam Assembly | 1   |
| 8    | 8423-43  | On/Off Toggle Switch  | 1   |                                 | 8450-19  | Nyliner                      | 1   |
| 9    | 8445-00  | Ball Knob   | 1   |                                 | 8451-44  | Strainer                     | 1   |
| 10   | 8450-25  | Leg Cushion   | 4   |                                 | 8457-46  | Strain Relief                | 1   |
| 11   | 5615-02  | Pump Handle   | 1   | Steamer Accessories - Not Shown |  |                              |     |
| 12   | 5648-01  | Pilot Light Assembly  | 1   | 1426-05                         | Handle (only) (for use with all baskets & racks) |                              |     |
| 14   | 5600-52  | Water Pan Assembly  | 1   | 5608-70                         | Three in 1 Basket Kit w/ Handle                  |                              |     |
| 13   | 5660-81  | AR60 Right Cabinet Side   | 1   | 5608-72                         | 1/2 Size Basket w/ Handle                        |                              |     |
| 15   | 5678-00  | Food Door   | 1   | 5608-73                         | Two of 1/4 Size Basket w/ Handle                 |                              |     |
| 16   | 1435-01  | Food Drawer Handle Assembly   | 1   | 5682-60                         | Tortilla Rack (Pita Rack)                        |                              |     |
| 17   | 5687-00  | Door Liner/Gusset Assembly  | 1   | 8450-62                         | Steam Generator Cleaning Brush                   |                              |     |
| 18   | 5686-50  | Food Drawer AR60  | 1   | 2070610                         | Egg Poacher- 6 Cups                              |                              |     |
| 19   | 5683-50  | Food Pan AR60 (2/3 Size) - 4"   | 1   | 2070615                         | Egg Poacher- 4 Cups                              |                              |     |
| 20   | 5682-50  | Food Pan Grid   | 1   |                                 |  |                              |     |
| 21   | 5660-80  | AR60 Left Cabinet Side  | 1   |                                 |  |                              |     |
| 22   | 5693-10R | AR Dip Tube Assembly  | 1   |                                 |  |                              |     |
| 23   | 5661-01  | AR Pump Replacement Kit<br>(Includes: Bracket, Dip Tube<br>And Riser Tube Assemblies) | 1   |                                 |  |                              |     |
| 24   | 5659-65  | Crank Replacement Kit   | 1   |                                 |  |                              |     |
| 25   | 2625-30  | Food Steamer Pump Spring  | 1   |                                 |  |                              |     |
| 26   | 1412-41  | Thermostat / Thermal Fuse Kit   | 1   |                                 |  |                              |     |
| 27   | 5693-01  | AR60 Riser Tube   | 1   |                                 |  |                              |     |

**Avoid error in parts selection.** When ordering, use complete EmberGlo part number and description. Furnish model number, bill of material number and date code or serial number from specification plate.

**IMPORTANT:** Availability of parts as well as specifications are subject to change without notice. Please consult factory for item availability.

# AR60 - Installation and Service

---



EmberGlo A Division of Midco International - 4140 West Victoria Street - Chicago, Illinois 60646  
toll free: 866 705 0515 - tel: 773.604.8700 - fax: 773.604.4070 - web: [www.emberglo.com](http://www.emberglo.com) - e-mail: [sales@emberglo.com](mailto:sales@emberglo.com)



423  
**8471 11**  
Printed in USA