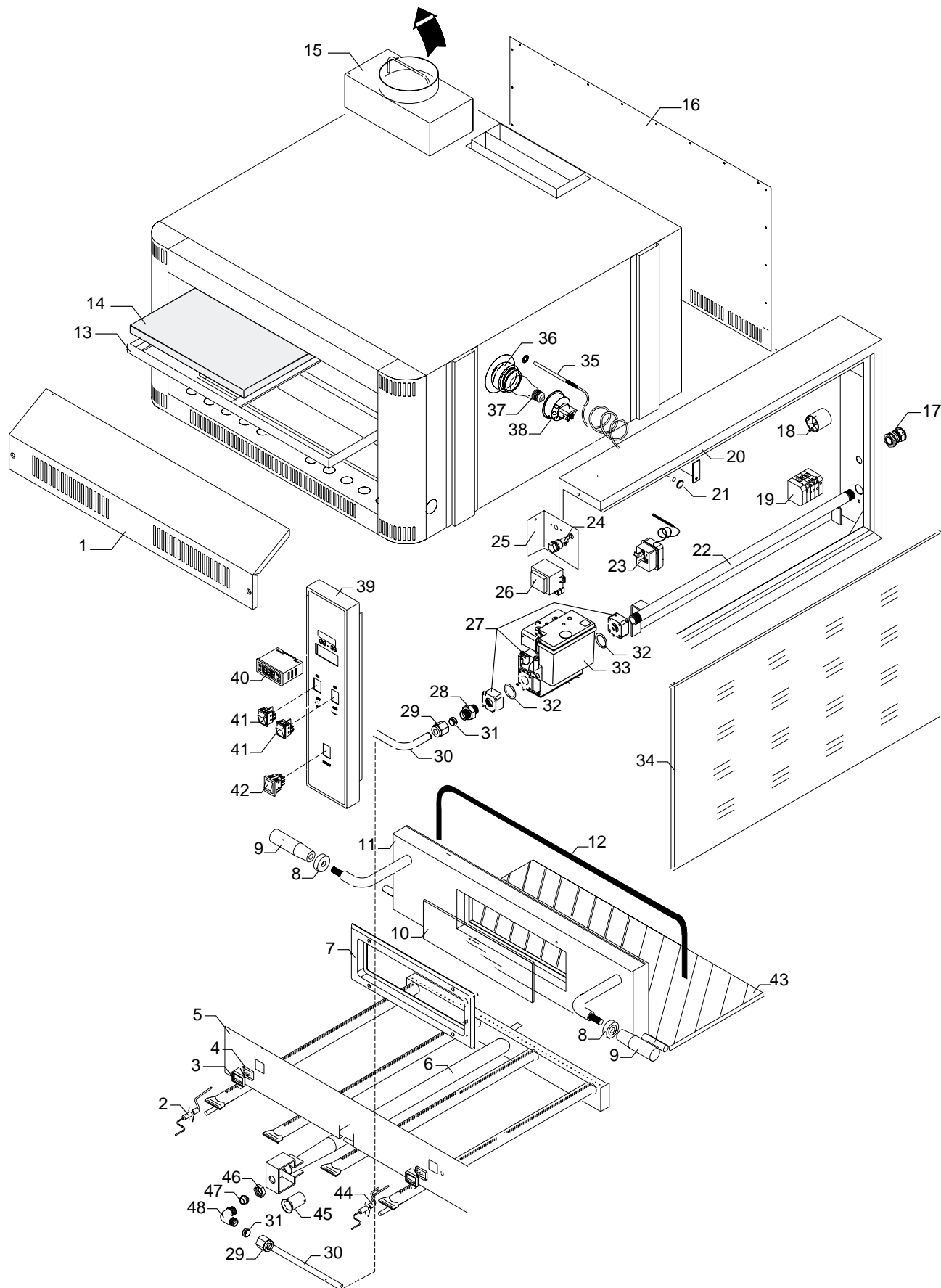


**DIGITAL CONTROLLED SINGLE - DUAL CHAMBER PIZZA GAS OVENS
FORNO PIZZA GAS MONOCAMERA-BICAMERA CONTROLLO DIGITALE**

PNC	Model	Ref.	Page
291403	ZCBDG8	a	1-3
291406	ZCBDG12	b	1-3
291412	ZCBDG18	c	1-3

Marchio / Brand: Z
Paese / Country: Tutti / All



DIGITAL CONTROLLED SINGLE - DUAL CHAMBER PIZZA GAS OVENS

SPARE PART LIST

DIGITAL CONTROLLED SINGLE - DUAL CHAMBER PIZZA GAS OVENS FORNO PIZZA GAS MONOCAMERA-BICAMERA CONTROLLO DIGITALE

Cod.Pr.	291 403	291 406	291 412
Mod.	ZCBDG8	ZCBDG12	ZCBDG18
Ref.	a	b	c

Pos.	Code	Art.	Descrizione	Description	Ref./Note
2	005886	ME0000471	Candela ionizzatore	Ionisation plug	
4	004137	ADNM00001	Vetrino bruciatore	Burner small glass pane	
6	005887	SLFG01270	Bruciatore	Burner	a
6	005901	SLFG01271	Bruciatore	Burner	b,c
8	004195	MP0000030	Rondella salvamani	Hand protection washer	
9	004107	MP0000021	Manopola MC29x115	Door handle MC29x115	
10	004135	ADNM00000	Vetro porta	Door glazing	
12	005888	SLFG1010	Guarnizione porta	Door gasket	a,b
12	005889	SLFG1011	Guarnizione porta	Door gasket	c
13	005891	TEL066066	Telaio, supporto refrattario	Frame, Firebrick support	a, 660x660
13	005892	TEL066099	Telaio, supporto refrattario	Frame, Firebrick support	b, 660x990
13	005893	TEL099099	Telaio, supporto refrattario	Frame, Firebrick support	c, 990x990
14	005890	ADNM00011	Mattone refrattario 330x330x30	Firebrick 330x330x30	
17	005894	ME0000390	Pressacavo PG9	Cable Clamp, PG9	
18	005895	ME0000450	Filtro antisturbo G33	Radio interference filter G33	
19	005896	ME0000385	Morsettiera BKA	Terminal board BKA	
23	004108	ME0000305	Termostato sicurezza, 430°C	Safety thermostat, set 430°C	
24	004117	ME0000440	Portafusibile	Fuse holder	
24	057291	ME0000441	Fusibile	Fuse	
26	004120	ME0000410	Trasformatore 230-12	Transformer 230-12	
27	005897	ME0000431	Elettrovalvola 830 TANDEM	Solenoid valve ,830 TANDEM	
33	005898	ME0000420	Controllo di fiamma, 503.00	Control flame device,503.00	
35	004116	ME0000400	Sonda TCJ	Temperature sensor TCJ	
36	004163	ADNM00003	Globetto illuminazione ELS	Lighting sphere ELS	
37	004161	ME0000370	Lampada E14	Light bulb E14	
38	004160	ME0000360	Portalampe E14	Light fitting E14	
40	004109	ME0000307	Termostato digitale EWPC	Electronic thermostat EWPC	
41	004158	ME0000331	Interruttore 2P	Double-pole switch	
42	005899	ME0000332	Interruttore reset	Reset switch	
44	005900	ME0000470	Candela accensione	Spark plug	

Notes: On Data plate it will appear the description:

G8 -33 means Ref a

G12-33 means Ref b

G18-33 means Ref c