

**LVAOGGETTI FRONTALE
FRONT LOADING DISHWASHER****WT830M / WT830H / WT850M**

Code	Type	Ref.	Pagina/ Page
506029	WT830M208U	a	2 4 6 8
506030	WT830M240U	b	2 4 6 8
506031	WT830H208U	c	2 4 6 8
506032	WT830H240U	d	2 4 6 8
506033	WT850M208U	e	3 5 7 8
506034	WT850M240U	f	3 5 7 8

Pagina/ Page**Indice/ index**

2	Vista generale (solo per "a,b,c,d") / Main view (only for "a,b,c,d")
3	Vista generale (solo per "e,f") / Main view (only for "e,f")
4	Componenti idraulici (solo per "a,b,c,d") / Hydraulic components (only for "a,b,c,d")
5	Componenti idraulici (solo per "e,f") / Hydraulic components (only for "e,f")
6	Circuito idraulico (solo per "a,b,c,d") / Hydraulic circuit (only for "a,b,c,d")
7	Circuito idraulico (solo per "e,f") / Hydraulic circuit (only for "e,f")
8	Componenti elettrici / Electrical components
9 - 17	Lista ricambi / Spare parts list

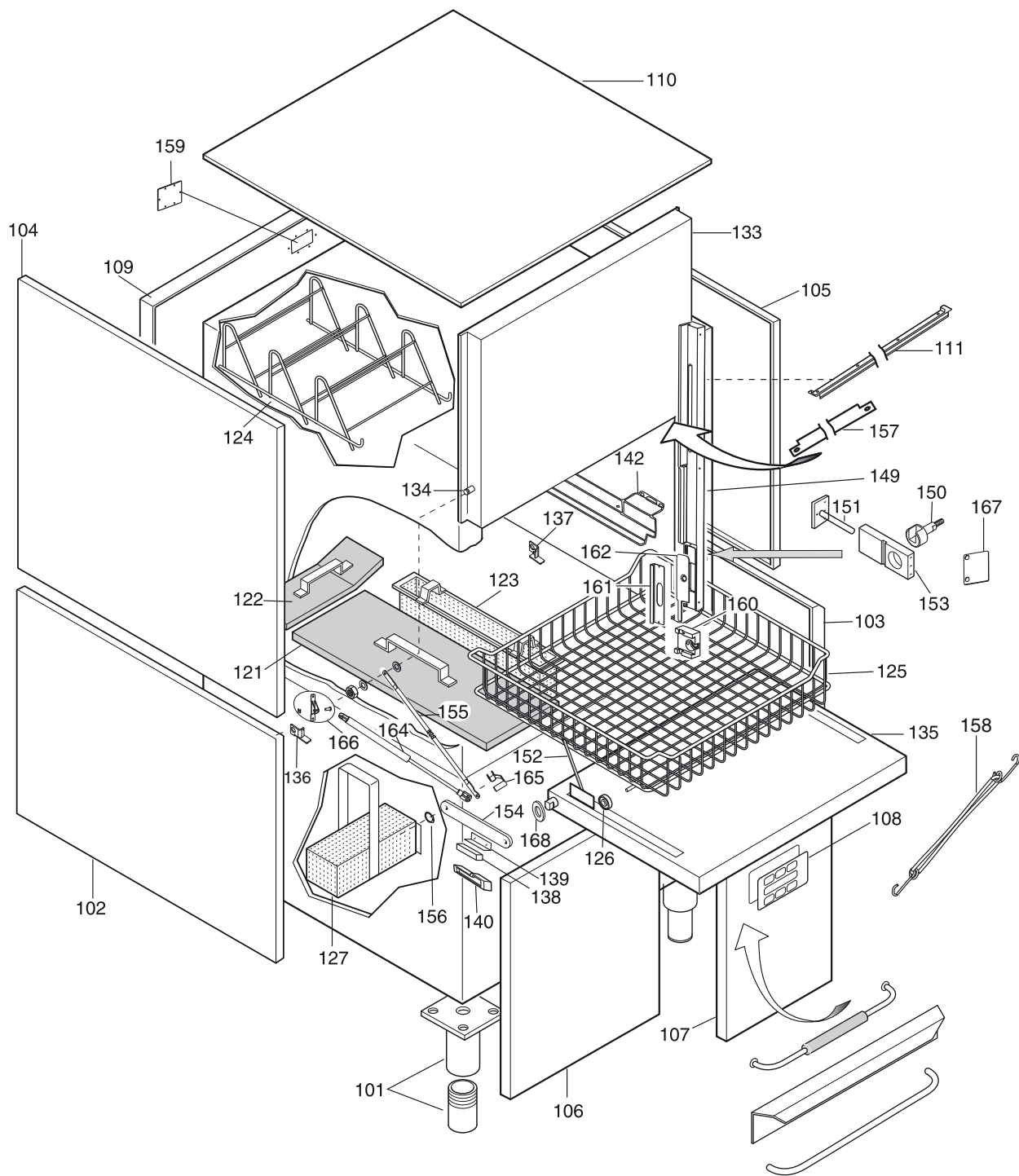
Marchio/ Brand: Z - E - A
Paese/ Country: Tutti/ All

Da Ser.Nr./From Ser.nr.: /620....

Page: 1

Ed. 2015-07

Doc. Nr.: 6-81 004



ill. 681002p1A_A

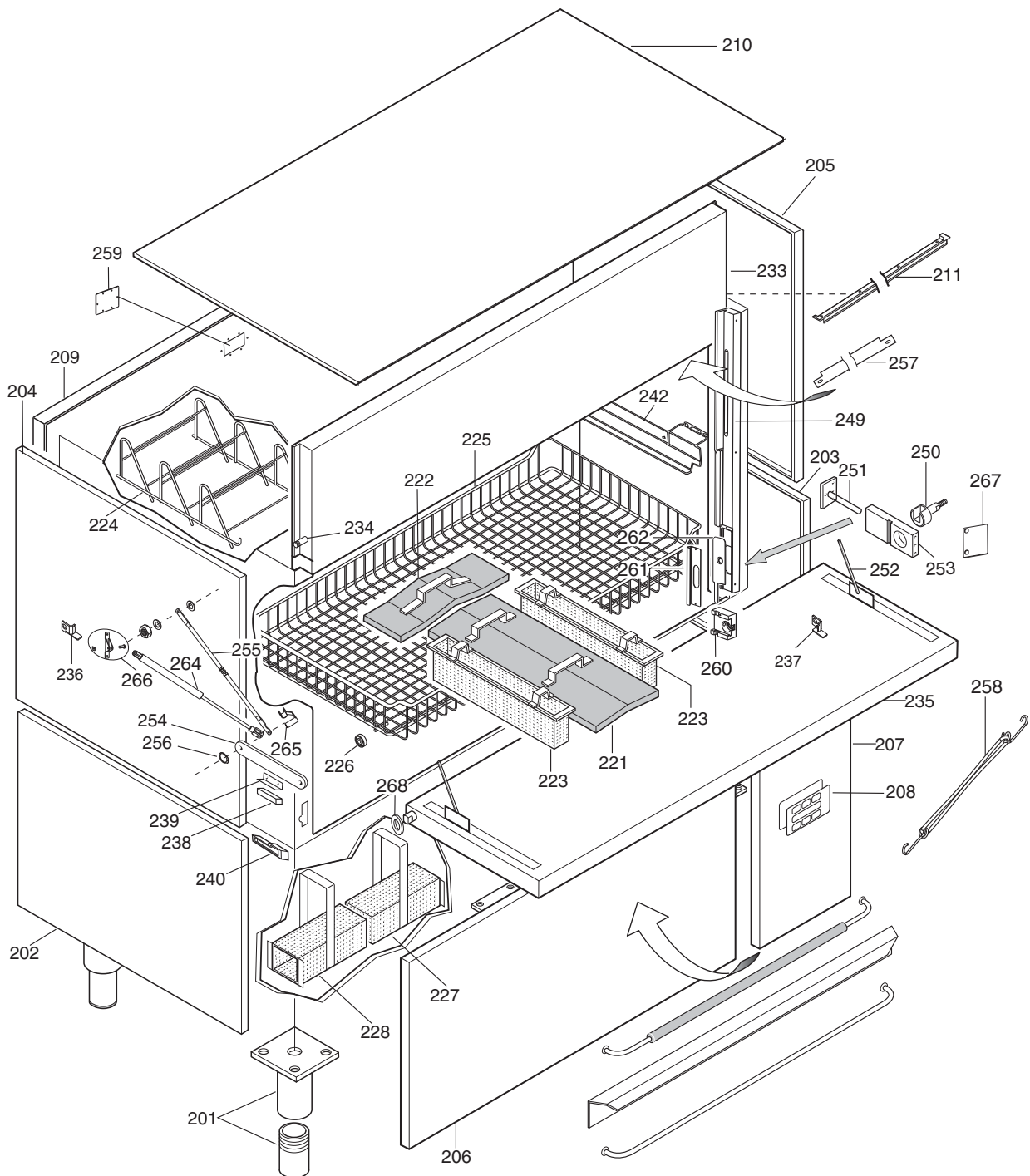
Vista generale (solo per "a,b,c,d") / Main view (only for "a,b,c,d")

Da Ser.Nr./From Ser.nr.: /620....

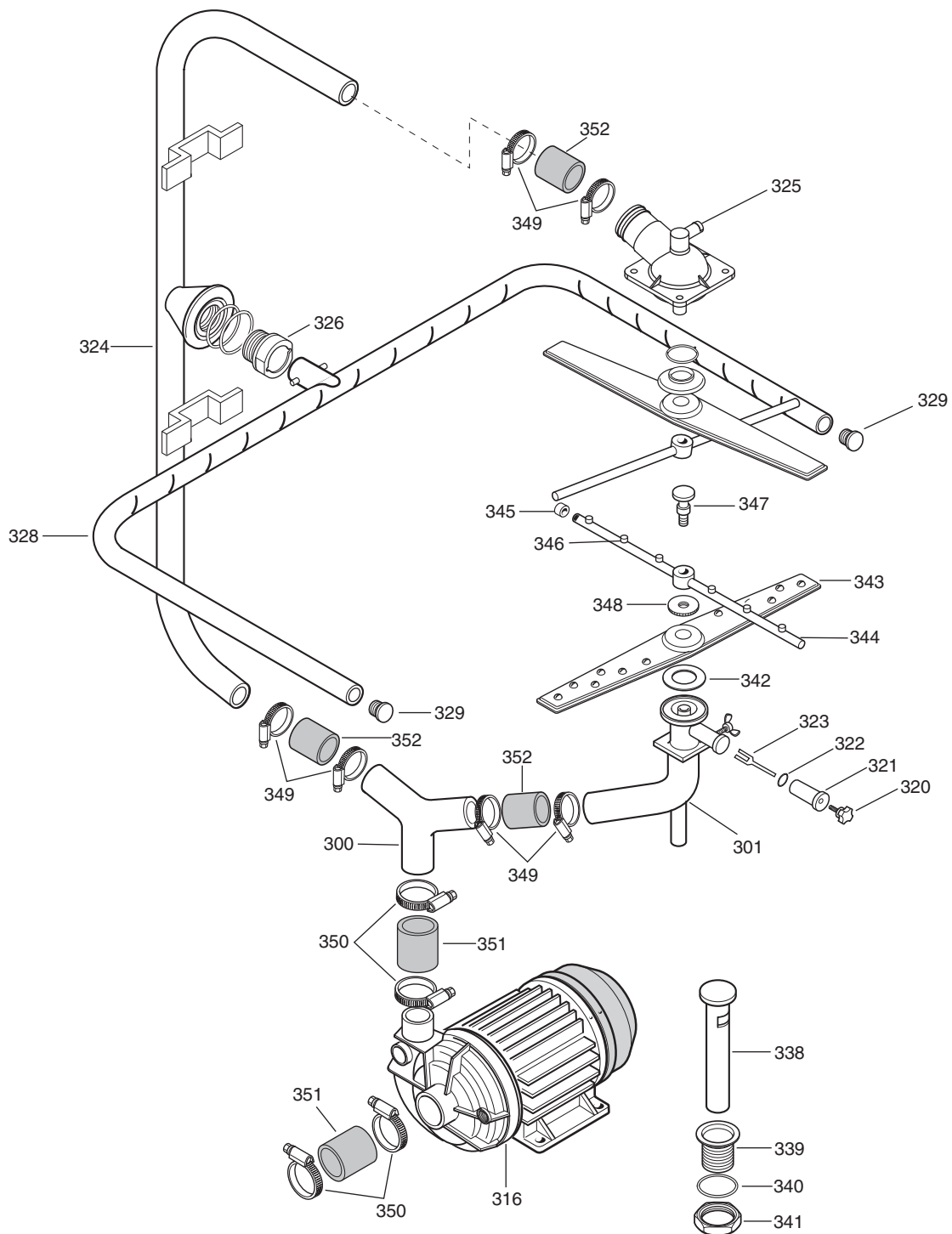
Page: 2

Ed. 2011-12

Doc. Nr.: 6-81 004



ill. 681002p2A_A2
 Vista generale (solo per "e,f") / Main view (only for "e,f")



ill. 681002p3A_A

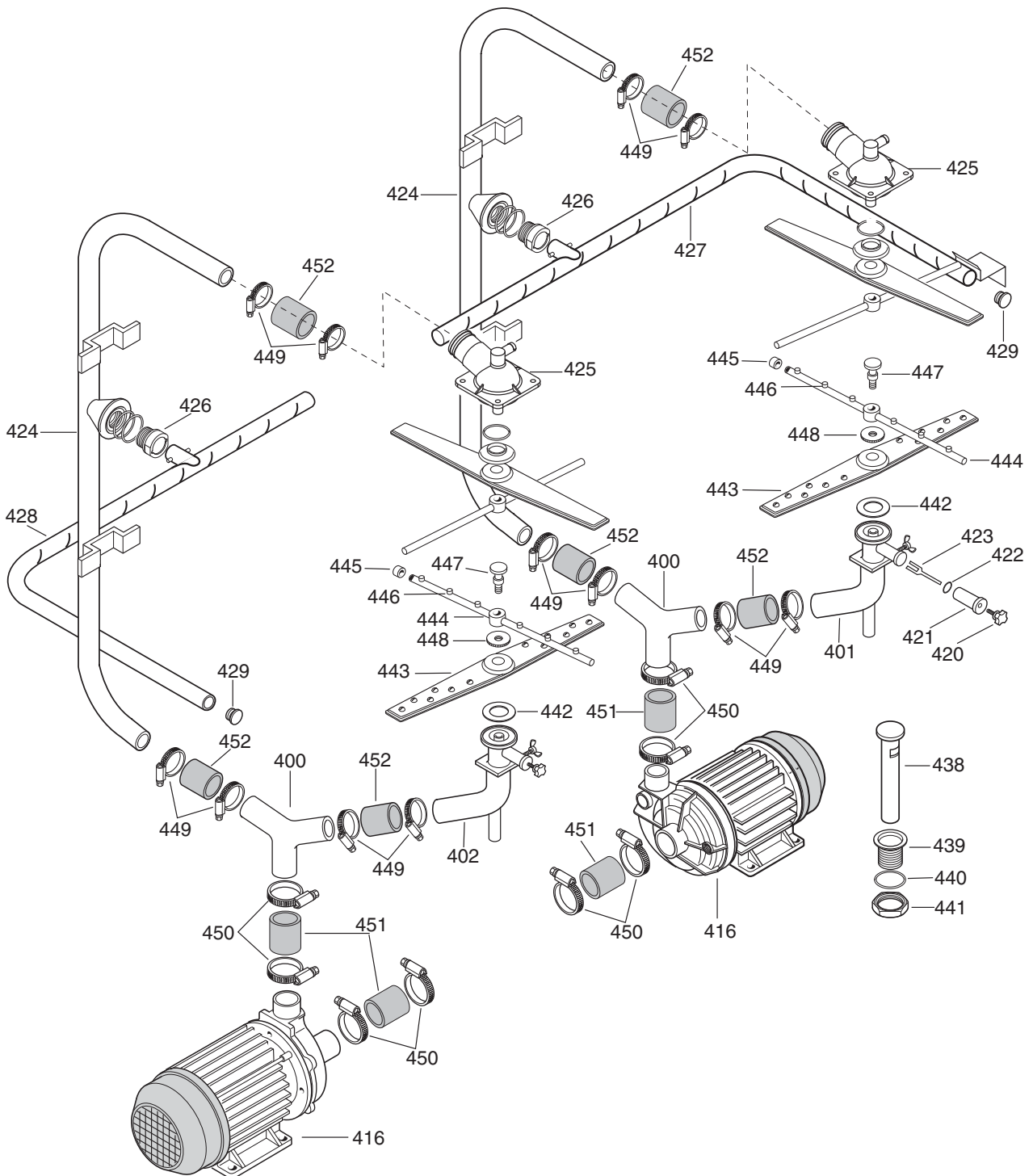
Componenti idraulici (solo per "a,b,c,d") / Hydraulic components (only for "a,b,c,d")

Da Ser.Nr./From Ser.nr.: /620....

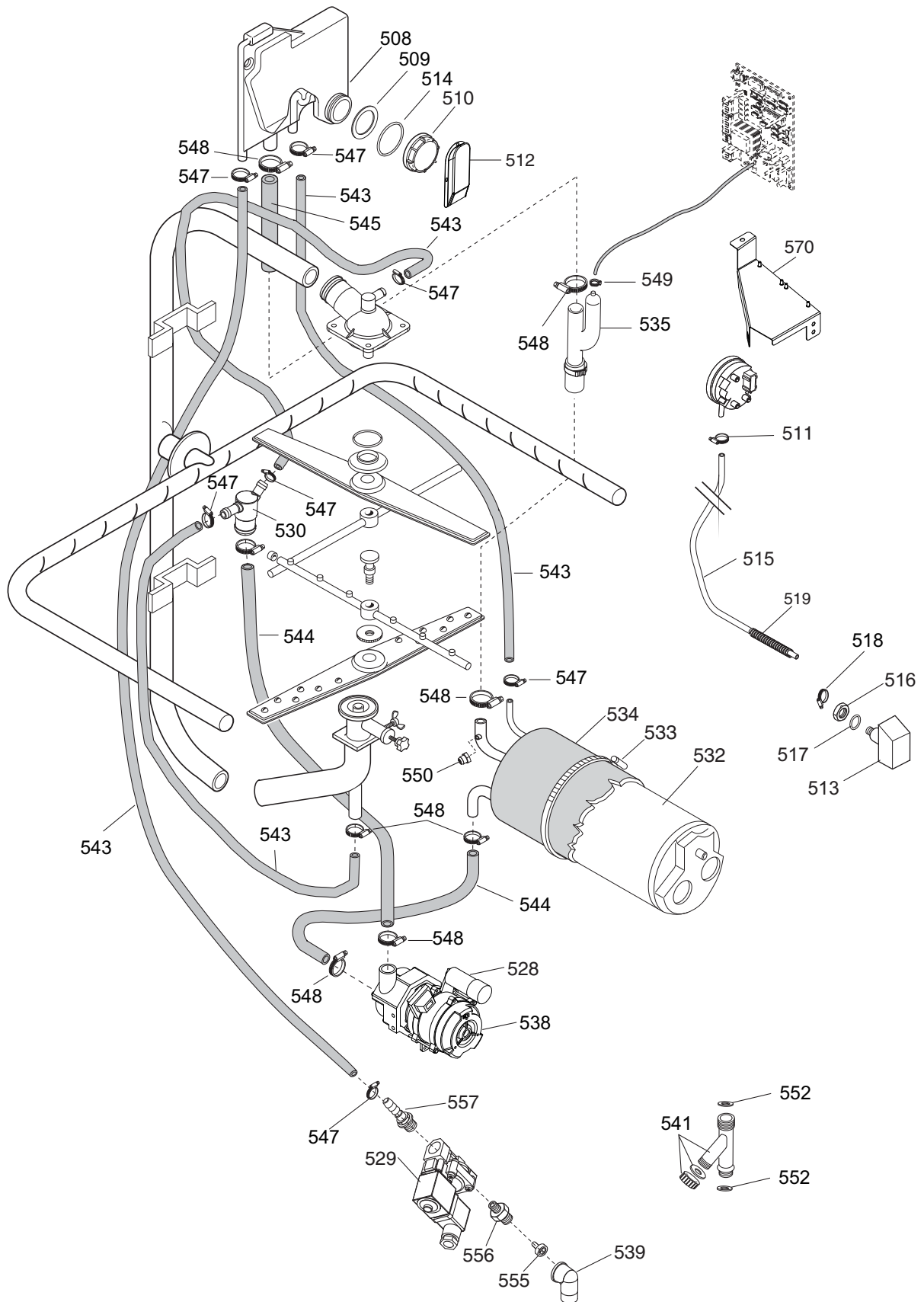
Page: 4

Ed. 2006-04

Doc. Nr.: 6-81 004



ill. 681002p4A_A
Componenti idraulici (solo per "e,f") / Hydraulic components (only for "e,f")



ill. 681002p5A_A2

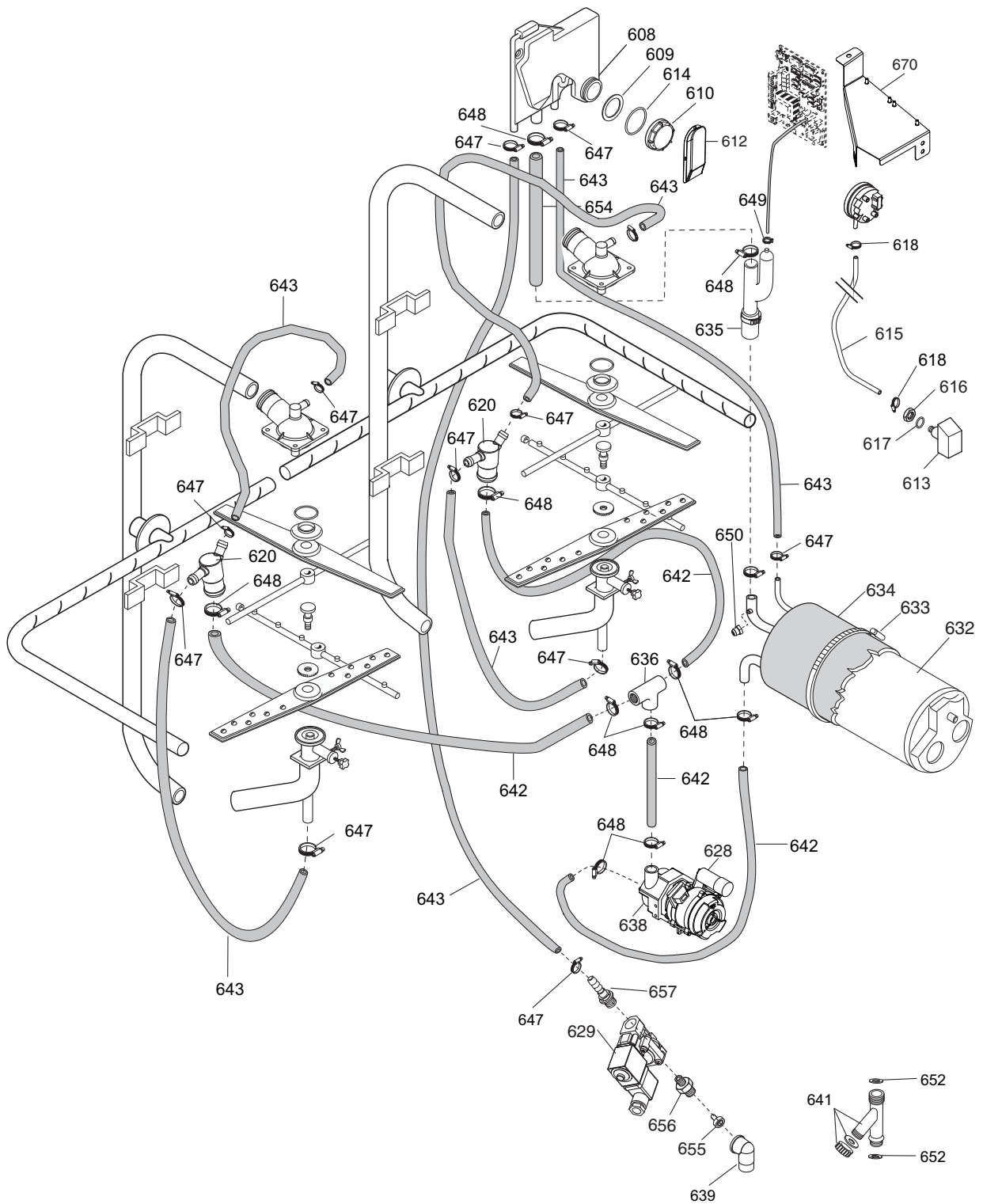
Circuito idraulico (solo per "a,b,c,d") / Hydraulic circuit (only for "a,b,c,d")

Da Ser.Nr./From Ser.nr.: /620....

Page: 6

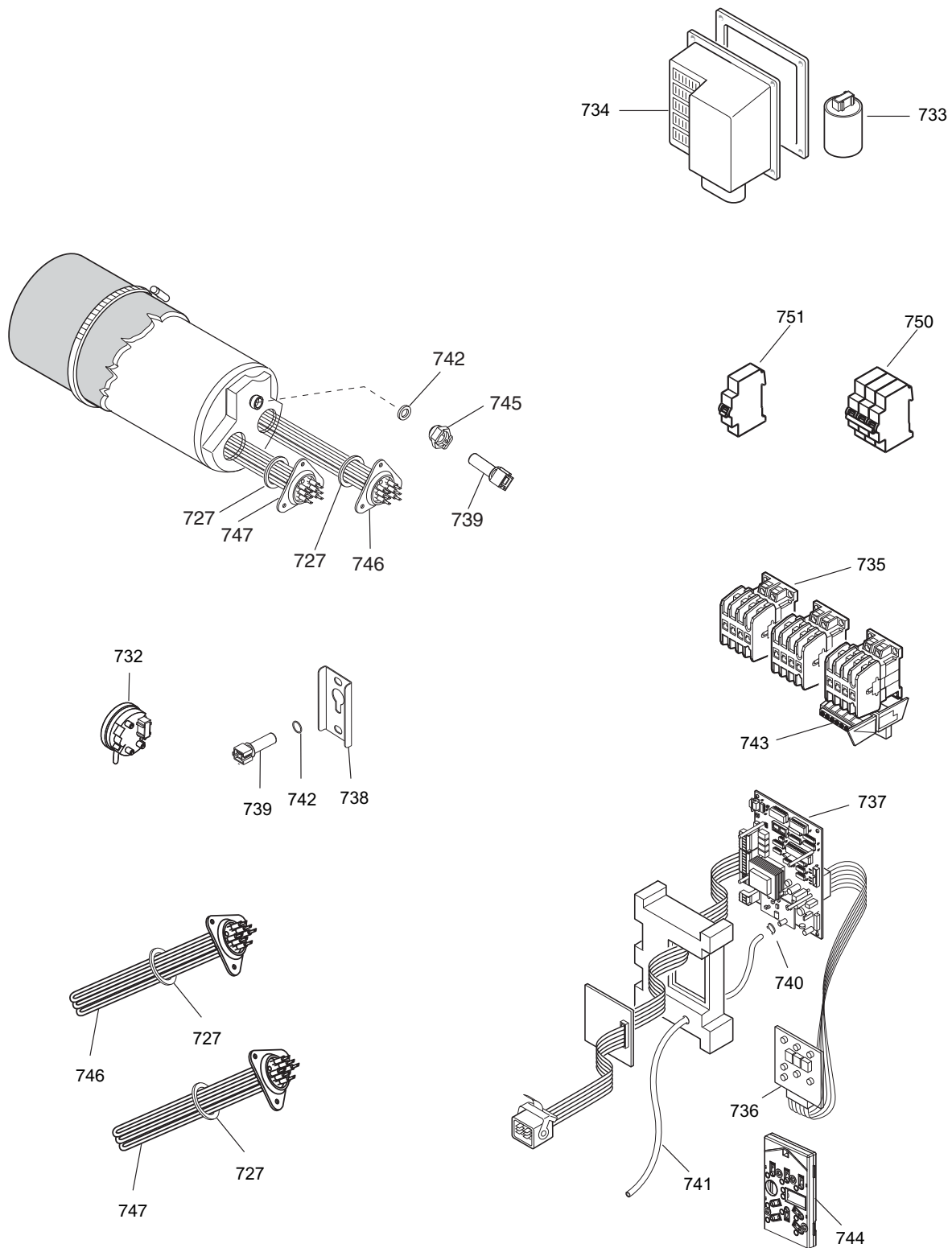
Ed. 2014-08

Doc. Nr.: 6-81 004



iii. 681002p6A_A2
 Circuito idraulico (solo per "e,f") / Hydraulic circuit (only for "e,f")

* Cablaggio/Wiring hardness: 790



III. 681002p7A_B
Componenti elettrici / Electrical components

Da Ser.Nr./From Ser.nr.: /620....

Page: **8**

Ed. 2007-11

Doc. Nr.: **6-81 004**

LAVAGGETTI FRONTALE WT830M / WT830H / WT850M FRONT LOADING DISHWASHER WT830M / WT830H / WT850M				Grassetto = variazioni Bold Print = changes
Pos.	Cod.ric. Part No.	Descrizione	Description	Note / Notes
		Pagina 2: Vista generale	Page 2: Main view	Only for "a,b,c,d"
101	0L0194	Piede; compl.	Foot; compl.	Up to Ser. Nr. 710
101	048579	Piede; compl.	Foot; compl.	From Ser. Nr. 711
101	048579	Piede; compl.	Foot; compl.	Up to Ser. Nr. 405
101	0L3203	Piede; compl.	Foot; compl.	From Ser. Nr. 406
102	049658	Pannello laterale; inferiore sx	Side panel; lower, left	
103	049659	Pannello laterale; inferiore dx	Side panel; lower, right	
104	049713	Pannello laterale; superiore sx	Side panel; upper, left	c,d
104	049660	Pannello laterale; superiore sx	Side panel; upper, left	a,b
105	049661	Pannello laterale; superiore dx	Side panel; upper, right	a,b
105	049714	Pannello laterale; superiore dx	Side panel; upper, right	c,d
106	049657	Pannello frontale	Front panel	
107	0L0246	Pannello comandi	Control panel	Up to Ser. Nr.: 811
107	0L1773	Pannello comandi	Control panel	From Ser. Nr.: 812 Up to Ser. Nr.: 905
107	0L2020	Pannello comandi	Control panel	From Ser. Nr.: 906
108	0L0243	Membrana adesiva	Stick membrane	Up to Ser. Nr.: 905
108	0L1673	Membrana adesiva	Stick membrane	From Ser. Nr.: 906
109	049662	Schienale	Back	a,b - Up to Ser. Nr.: 905
109	0L2022	Schienale	Back	a,b - From Ser. Nr.: 906
109	049715	Schienale	Back	c,d - Up to Ser. Nr.: 905
109	0L2025	Schienale	Back	c,d - From Ser. Nr.: 906
110	049663	Coperchio	Cover	
111	0L0135	Frangiflutti	Splashguard	
121	049673	Filtro piano	Filter plate	
122	049674	Filtro	Filter	
123	0E5183	Filtro; cestello	Filter; basket	
124	075690	Porta teglie	Tray support	
125	049664	Cesto	Basket	
126	049692	Ruota	Wheel	
127	049689	Protezione pompa; dx,compl.	Pump protection; right, compl.	
133	0L0141	Porta; superiore; compl.	Door; upper; compl.	a,b
133	0L0142	Porta; superiore; compl	Door; upper; compl.	c,d
134	049672	Perno	Pin	
135	0L2650	Porta; compl	Door; compl.	
136	0L0595	Fermo leva sinistro	Left lever stopped	Up to Ser. Nr.: 142
137	0L0594	Fermo leva destro	Right lever stopped	Up to Ser. Nr.: 142
138	049627	Magnete	Magnet	Up to Ser. Nr.: 905
138	0L1001	Magnete	Magnet	From Ser. Nr.: 906
139	0L0380	Squadretta	Square	Up to Ser. Nr.: 142
139	0L2599	Squadretta	Square	From Ser. Nr.: 143
140	049621	Sensore	Sensor	
142	049680	Guida cesto dx; compl.	Right guide; compl.	
142	049681	Guida cesto sx; compl.	Left guide; compl.	

Da Ser.Nr./From Ser.nr.: /620....

LAVAGGETTI FRONTALE WT830M / WT830H / WT850M FRONT LOADING DISHWASHER WT830M / WT830H / WT850M				Grassetto = variazioni Bold Print = changes
Pos.	Cod.ric. Part No.	Descrizione	Description	Note / Notes
149	0L0622	Ass.me guida dx;PW1H	Right assembly guide;PW1H	c,d - Up to Ser. Nr.: 142
149	0L2624	Ass.me guida dx;PW1H	Right assembly guide;PW1H	c,d - From Ser. Nr.: 143
149	0L0623	Ass.me guida sx;PW1H	Left assembly guide;PW1H	c,d - Up to Ser. Nr.: 142
149	0L2623	Ass.me guida sx;PW1H	Left assembly guide;PW1H	c,d - From Ser. Nr.: 143
149	0L0624	Ass.me guida dx;PW1	Right assembly guide;PW1	a,b - Up to Ser. Nr.: 142
149	0L2617	Ass.me guida dx;PW1	Right assembly guide;PW1	a,b - From Ser. Nr.: 143
149	0L0625	Ass.me guida sx;PW1	Left assembly guide;PW1	a,b - Up to Ser. Nr.: 142
149	0L2616	Ass.me guida sx;PW1	Left assembly guide;PW1	a,b - From Ser. Nr.: 143
150	049685	Perno	Pin	Up to Ser. Nr.: 142
150	0L2612	Perno	Pin	From Ser. Nr.: 143 Up to Ser. Nr.: 222
150	0L2749	Leva + Dado + Perno	Lever + Nut + Pin	a,b - From Ser. Nr.: 223
150	0L2750	Leva + Dado + Perno	Lever + Nut + Pin	c,d - From Ser. Nr.: 223
151	0L0037	Fermo porta dx; compl	Right door-stop; compl.	Up to Ser. Nr.: 142
151	0L2620	Fermo porta dx; compl	Right door-stop; compl.	From Ser. Nr.: 143
151	0L0036	Fermo porta sx; compl	Left door-stop; compl.	Up to Ser. Nr.: 142
151	0L2619	Fermo porta sx; compl	Left door-stop; compl.	From Ser. Nr.: 143
152	049688	Leva appoggio porta	Lever	Up to Ser. Nr.: 142
153	0L0626	Guida porta sx	Left door drive	Up to Ser. Nr.: 142
153	0L2609	Guida porta sx	Left door drive	From Ser. Nr.: 143
153	0L0627	Guida porta dx	Right door drive	Up to Ser. Nr.: 142
153	0L2610	Guida porta dx	Right door drive	From Ser. Nr.: 143
154	049731	Leva per porta	Lever	c,d - Up to Ser. Nr.: 142
154	0L2622	Leva per porta	Lever	c,d - From Ser. Nr.: 143 Up to Ser. Nr.: 222
154	0L2750	Leva + Dado + Perno	Lever + Nut + Pin	c,d - From Ser. Nr.: 223
154	0L0034	Leva per porta	Lever	a,b - Up to Ser. Nr.: 142
154	0L2613	Leva per porta	Lever	a,b - From Ser. Nr.: 143 Up to Ser. Nr.: 222
154	0L2749	Leva + Dado + Perno	Lever + Nut + Pin	a,b - From Ser. Nr.: 223
155	049683	Tirante per porta	Door drawrod	a,b - Up to Ser. Nr.: 142
155	0L2618	Tirante per porta	Door drawrod	a,b - From Ser. Nr.: 143
155	049730	Tirante per porta	Door drawrod	c,d - Up to Ser. Nr.: 142
155	0L2625	Tirante per porta	Door drawrod	c,d - From Ser. Nr.: 143
156	027023	Anello di sicurezza	Clamp ring	
157	049868	Paraspruzzi	Splashguard	
158	0L1149	Cinghia contenimento stoviglie	Rubber band	
159	0L0411	Tappo per schienale	Back panel cover	Up to Ser. Nr.: 905
159	0L2023	Tappo per schienale	Back panel cover	From Ser. Nr.: 906
160	0L2608	Supporto guida scorrevole SX	Left sliding drive support	From Ser. Nr.: 143
160	0L2611	Supporto guida scorrevole DX	Right sliding drive support	From Ser. Nr.: 143
161	0L2604	Labirinto guida porta	Door drive labyrinth	From Ser. Nr.: 143
162	0L2605	Chiavistello sinistro blocco porta	Left door locking latch	From Ser. Nr.: 143
162	0L2606	Chiavistello destro blocco porta	Right door locking latch	From Ser. Nr.: 143
164	0L2607	Ammortizzatore idraulico	Hydraulic damper	a,b,e,f - From Ser. Nr.: 143

Da Ser.Nr./From Ser.nr.: /620....

LAVAOGGETTI FRONTALE WT830M / WT830H / WT850M FRONT LOADING DISHWASHER WT830M / WT830H / WT850M				Grassetto = variazioni Bold Print = changes
Pos.	Cod.ric. Part No.	Descrizione	Description	Note / Notes
164	0L2621	Ammortizzatore idraulico	Hydraulic damper	c,d - From Ser. Nr.: 143 Up to Ser. Nr.: 222
164	0L2747	Ammortizzatore idraulico	Hydraulic damper	From Ser. Nr.: 223
165	0L2614	Perno attacco ammortizzatore	Damper connection pin	From Ser. Nr.: 143
166	0L2615	Supporto attacco ammortizzatore	Damper connection support	From Ser. Nr.: 143
167	0L2626	Piastrina	Plate	From Ser. Nr.: 143
168	0L2602	Rondella	Washer	From Ser. Nr.: 143
		Pagina 3: Vista generale	Page 3: Main view	Only for e,f''
201	0L0194	Piede; compl.	Foot; compl.	Up to Ser. Nr. 710
201	048579	Piede; compl.	Foot; compl.	From Ser. Nr. 711
202	049658	Pannello laterale; inferiore sx	Side panel; lower, left	
203	049659	Pannello laterale; inferiore dx	Side panel; lower, right	
204	049660	Pannello laterale; superiore sx	Side panel; upper, left	
205	049661	Pannello laterale; superiore dx	Side panel; upper, right	
206	049705	Pannello frontale	Front panel	SX,PW2
207	0L0246	Pannello comandi	Control panel	Up to Ser. Nr.: 811
207	0L1773	Pannello comandi	Control panel	From Ser. Nr.: 812 Up to Ser. Nr.: 905
207	0L2020	Pannello comandi	Control panel	From Ser. Nr.: 906
208	0L0243	Membrana adesiva	Stick membrane	Up to Ser. Nr.: 905
208	0L1673	Membrana adesiva	Stick membrane	From Ser. Nr.: 906
209	049707	Schienale;SX	Back; Left	Up to Ser. Nr.: 905
209	0L2027	Schienale;SX	Back; Left	From Ser. Nr.: 906
209	049706	Schienale;DX	Back; Right	Up to Ser. Nr.: 905
209	0L2026	Schienale;DX	Back; Right	From Ser. Nr.: 906
210	049708	Coperchio	Cover	
211	0L0136	Frangiflutti	Splashguard	
221	049699	Filtro piano	Filter plate	
222	049700	Filtro	Filter	
223	0E5183	Filtro; cestello	Filter; basket	
224	075690	Portateglie	Tray support	
225	049709	Cesto	Basket	
226	049692	Ruota	Wheel	
227	049689	Protezione pompa; dx,compl.	Pump protection; right, compl.	
228	049701	Protezione pompa; Sx,compl.	Pump protection; left, compl.	
233	0L0143	Porta; superiore; compl.	Door; upper; compl.	
234	049672	Perno	Pin	
235	0L2603	Porta; compl	Door; compl.	
236	0L0595	Fermo leva sinistro	Left lever stopped	Up to Ser. Nr.: 142
237	0L0594	Fermo leva destro	Right lever stopped	Up to Ser. Nr.: 142
238	049627	Magnete	Magnet	Up to Ser. Nr.: 905
238	0L1001	Magnete	Magnet	From Ser. Nr.: 906
239	0L0380	Squadretta	Square	Up to Ser. Nr.: 142

LAVAGGETTI FRONTALE WT830M / WT830H / WT850M FRONT LOADING DISHWASHER WT830M / WT830H / WT850M				Grassetto = variazioni Bold Print = changes
Pos.	Cod.ric. Part No.	Descrizione	Description	Note / Notes
239	0L2599	Squadretta	Square	From Ser. Nr.: 143
240	049621	Sensore	Sensor	
242	049680	Guida cesto dx; compl.	Guide right; compl.	
242	049681	Guida cesto sx; compl.	Guide left; compl.	
249	0L0624	Ass.me guida dx;PW2	Right assembly guide;PW2	Up to Ser. Nr.: 142
249	0L2617	Ass.me guida dx;PW2	Right assembly guide;PW2	From Ser. Nr.: 143
249	0L0625	Ass.me guida sx;PW2	Left assembly guide;PW2	Up to Ser. Nr.: 142
249	0L2616	Ass.me guida sx;PW2	Left assembly guide;PW2	From Ser. Nr.: 143
250	049685	Perno	Pin	Up to Ser. Nr.: 142
250	0L2612	Perno	Pin	From Ser. Nr.: 143 Up to Ser. Nr.: 222
250	0L2749	Leva + Dado + Perno	Lever + Nut + Pin	From Ser. Nr.: 223
251	0L0037	Fermo porta dx; compl	Right door-stop; compl.	Up to Ser. Nr.: 142
251	0L2620	Fermo porta dx; compl	Right door-stop; compl.	From Ser. Nr.: 143
251	0L0036	Fermo porta sx; compl	Left door-stop; compl.	Up to Ser. Nr.: 142
251	0L2619	Fermo porta sx; compl	Left door-stop; compl.	From Ser. Nr.: 143
252	049688	Leva appoggio porta	Lever	Up to Ser. Nr.: 142
253	0L0626	Guida porta sx	Left door drive	
253	0L0627	Guida porta dx	Right door drive	
254	0L0034	Leva per porta	Lever	Up to Ser. Nr.: 142
254	0L2613	Leva per porta	Lever	From Ser. Nr.: 143 Up to Ser. Nr.: 222
254	0L2749	Leva + Dado + Perno	Lever + Nut + Pin	From Ser. Nr.: 223
255	049683	Tirante per porta	Tie-rod	Up to Ser. Nr.: 142
255	0L2618	Tirante per porta	Tie-rod	From Ser. Nr.: 143
256	027023	Anello di sicurezza	Clamp ring	
257	049867	Paraspruzzi	Splashguard	
258	0L1149	Cinghia contenimento stoviglie	Rubber band	
259	0L0411	Tappo per schienale	Back panel cover	Up to Ser. Nr.: 905
259	0L2023	Tappo per schienale	Back panel cover	From Ser. Nr.: 906
260	0L2608	Supporto guida scorrevole SX	Left sliding drive support	From Ser. Nr.: 143
260	0L2611	Supporto guida scorrevole DX	Right sliding drive support	From Ser. Nr.: 143
261	0L2604	Labirinto guida porta	Door drive labyrinth	From Ser. Nr.: 143
262	0L2605	Chiavistello sinistro blocco porta	Left door locking latch	From Ser. Nr.: 143
262	0L2606	Chiavistello destro blocco porta	Right door locking latch	From Ser. Nr.: 143
264	0L2607	Ammortizzatore idraulico	Hydraulic damper	From Ser. Nr.: 143
265	0L2614	Perno attacco ammortizzatore	Damper connection pin	From Ser. Nr.: 143
266	0L2615	Supporto attacco ammortizzatore	Damper connection support	From Ser. Nr.: 143
267	0L2626	Piastrina	Plate	From Ser. Nr.: 143
268	0L2602	Rondella	Washer	From Ser. Nr.: 143
		Pagina 4: Componenti idraulici	Page 4: Hydraulic components	Only for "a,b,c,d"
300	049726	Raccordo 3 vie;	Connection 3 way;	
301	049695	Supporto getti inferiore; DX	Jets support; lower, Right	

LAVAGGETTI FRONTALE WT830M / WT830H / WT850M				Grassetto = variazioni
FRONT LOADING DISHWASHER WT830M / WT830H / WT850M				Bold Print = changes
Pos.	Cod.ric. Part No.	Descrizione	Description	Note / Notes
316	OL1146	Pompa lavaggio; 208/240V 60Hz	Wash pump; 208/240V 60Hz	
320	OE5642	Manopola	Knob	
321	OE5643	Guida	Guide	
322	049676	Guarnizione	Gasket	
323	OE5645	Riduttore portata	Bar	
324	OL0621	Tubo; collegamento getti	Pipe; jets connection	c,d
324	OL0620	Tubo; collegamento getti	Pipe; jets connection	a,b
325	OL0695	Supporto getti superiore	Jets support; upper	
326	049694	Attacco	Attack	
328	049691	Rampe laterali; compl.	Lateral ramp	
329	OL1150	Tappo G 1/2"	Plug G 1/2"	
338	049675	Troppo pieno	Overflow pipe	
339	075624	Supporto scarico	Support; drain	
340	047192	Guarnizione;troppo pieno	Gasket	
341	066079	Ghiera	Ring nut	
342	048401	Mozzo	Hub	
343	OL0389	Getto lavaggio	Wash jet	
344	OE5640	Getto risciacquo	Rinse jet	
345	OE5639	Tappo	Plug	
346	OE5107	Ugello 9506	Nozzle 9506	
347	048290	Perno; per getti risciaquo	Pin; for rinse jets	
348	048632	Rondella	Washer	
349	OL0193	Fascetta 40-60	Hose clamp 40-60	
350	046853	Fascetta 68-85	Hose clamp 68-85	
351	075609	Tubo gomma; 75X85	Hose; 75x85	
352	045768	Tubo gomma; 45X55	Hose; 45x55	
		Pagina 5: Componenti idraulici	Page 5: Hydraulic components	Only for "e,f"
400	049726	Raccordo 3 vie	Connection 3 way	
401	049695	Supporto getti inferiore; DX	Jets support; lower, Right	
402	049704	Supporto getti inferiore; SX	Jets support; lower, Left	
416	OL1146	Pompa lavaggio; 208/240V 60HZ	Wash pump; 208/240V 60HZ	
420	OE5642	Manopola	Knob	
421	OE5643	Guida	Guide	
422	049676	Guarnizione	Gasket	
423	OE5645	Riduttore portata	Bar	
424	OL0620	Tubo; collegamento getti	Pipe; jets connection	
425	OL0695	Supporto getti superiore	Jets support; upper	
426	049694	Attacco	Attack	
427	049703	Rampe laterali;DX, compl.	Lateral ramp; Right	
428	049702	Rampe laterali;SX, compl.	Lateral ramp; Left	
429	OL1150	Tappo G 1/2"	Plug G 1/2"	
438	049675	Troppo pieno	Overflow pipe	
439	075624	Supporto scarico	Support; drain	

LAVAGGETTI FRONTALE WT830M / WT830H / WT850M FRONT LOADING DISHWASHER WT830M / WT830H / WT850M				Grassetto = variazioni Bold Print = changes
Pos.	Cod.ric. Part No.	Descrizione	Description	Note / Notes
440	047192	Guarnizione;tropo pieno	Gasket	
441	066079	Ghiera	Ring nut	
442	048401	Mozzo	Hub	
443	0L0389	Getto lavaggio	Wash jet	
444	0E5640	Getto risciacquo	Rinse jet	
445	0E5639	Tappo	Plug	
446	0E5107	Ugello 9506	Nozzle 9506	
447	048290	Perno; per getti risciaquo	Pin; for rinse jets	
448	0E5638	Dado	Nut	
449	0L0193	Fascetta 40-60	Hose clamp 40-60	
450	046853	Fascetta 68-85	Hose clamp 68-85	
451	075609	Tubo gomma; 75X85	Hose; 75x85	
452	045768	Tubo gomma; 45X55	Hose45x55	
		Pagina 6: Circuito idraulico	Page 6: Hydraulic circuit	Only for "a,b,c,d"
508	049459	Salto in aria; WRC	AIR GAP	
509	049828	Guarnizione	Gasket	
510	049480	Ghiera	Ring nut	
511	0L0082	Fascetta 7.3 / 7.8mm	Clamp 7.3 / 7.8mm	From Ser. 406
512	0L2560	Protezione ghiera	Guard ring nut	
513	048308	Trappola d'aria	Air trap	
514	049460	O ring	O Ring	
515	048883	Tubo 5x12 gomma	Hose; 5x12	Up to Ser. 405
515	0K9162	Tubo 4x7 gomma	Hose; 4x7	From to Ser. 406
516	049268	Dado M14x1.5	Nut; M14x1,5	
517	068642	OR 2062x15.54	O Ring	
518	046946	Fascetta 8-12	Clamp 8-12	Up to Ser. 405
518	046946	Fascetta 9.3 / 9.9	Clamp 9.3 / 9.9	From to Ser. 406
519	0L3273	Tubo corrugato Hellerman (HG-SW13)	Conduit Hellerman (HG-SW13)	From Ser. 406
528	083406	Condensatore per pompa risc.	Rinse pump capacitor	5.0 µF
529	0L0569	Elettrovalvola	Electric valve	Up to Ser. Nr.: 222
529	0L2656	Elettrovalvola	Electric valve	From Ser. Nr.: 223
530	0L0365	Raccordo a 3 vie	3 way connection	
532	0L1151	Boiler	Boiler	Up to Ser. Nr.: 905
532	0L1952	Boiler	Boiler	From Ser. Nr.: 906 Up to Ser. Nr.: 017
532	0L1151	Boiler	Boiler	From Ser. Nr.: 018
533	048222	Fascetta 200-231	Hose clamp 200-231	Up to Ser. Nr.: 222
533	0TH122	Fascetta 200-220	Hose clamp 200-220	From Ser. Nr.: 223
534	0L1152	Coibentazione boiler	Boiler insulation	Up to Ser. Nr.: 222
535	0L0098	Trappola d'aria; boiler	Air trap; boiler	
538	0L1098	Pompa risciacquo;208/240V 60Hz	Rinse pump;208/240V 60Hz	
539	049679	Gomito; 90 GR	Elbow; 90 degr	

Da Ser.Nr./From Ser.nr.: /620....

LAVAGGETTI FRONTALE WT830M / WT830H / WT850M				Grassetto = variazioni
FRONT LOADING DISHWASHER WT830M / WT830H / WT850M				Bold Print = changes
Pos.	Cod.ric. Part No.	Descrizione	Description	Note / Notes
541	048834	Filtro	Filter	
543	048531	Tubo 19,5x12	Hose 19,5x12	
544	049773	Tubo 26x38	Hose 26x38	
545	049287	Tubo 25,5x32	Hose 25,5x32	
547	048126	Fascetta 13-20	Hose clamp 13-20	
548	047578	Fascetta 26-38	Hose clamp 26-38	
549	0E5993	Fascetta 7,3-7,8	Hose clamp 7,3-7,8	
550	0L0349	Assieme tappo brillantante	Rinse aid plug assembly	
552	049201	Guarnizione	Gasket	
555	049650	Parzializzatore	Flow reducer	
556	0L0479	Nipplo 3/4"-3/8"	Nipple 3/4"-3/8"	
557	0L0477	Portagomma ottone 3/8" G	Brass fitting 3/8" G	
570	0L2744	Supporto pressostato	Pressure switch plate	From Ser. Nr.: 223
		Pagina 7: Circuito idraulico	Page 7: Hydraulic circuit	Only for "e,f"
608	049459	Salto in aria; WRC	AIR GAP	
609	049828	Guarnizione	Gasket	
610	049480	Ghiera	Ring nut	
611	0L0082	Fascetta 7.3 / 7.8mm	Clamp 7.3 / 7.8mm	From Ser. 406
612	0L2560	Protezione ghiera	Guard ring nut	
613	048308	Trappola d'aria	Air trap	
614	049460	O ring	O Ring	
615	048883	Tubo 5x12 gomma	Hose; 5x12	Up to Ser. 405
615	0K9162	Tubo 4x7 gomma	Hose; 4x7	From Ser. 406
616	049268	Dado M14x1.5	Nut; M14x1,5	
617	068642	OR 2062x15.54	O Ring	
618	046946	Fascetta 8-12	Clamp 8-12	Up to Ser. 405
618	046946	Fascetta 9.3 / 9.9	Clamp 9.3 / 9.9	From to Ser. 406
619	0L3273	Tubo corrugato Hellaerman (HG-SW13)	Conduit Hellaerman (HG-SW13)	From Ser. 406
620	0L0365	Raccordo a 3 vie	3 way connection	
628	083406	Condensatore per pompa risc.	Rinse pump capacitor	5.0 µF
629	0L0569	Elettrovalvola	Electric valve	Up to Ser. Nr.: 222
629	0L2656	Elettrovalvola	Electric valve	From Ser. Nr.: 223
632	0L1151	Boiler	Boiler	Up to Ser. Nr.: 905
632	0L1952	Boiler	Boiler	From Ser. Nr.: 906
				Up to Ser. Nr.: 017
632	0L1151	Boiler	Boiler	From Ser. Nr.: 018
633	048222	Fascetta 200-231	Hose clamp 200-231	Up to Ser. Nr.: 222
633	0TH122	Fascetta 200-220	Hose clamp 200-220	From Ser. Nr.: 223
634	0L1152	Coibentazione boiler	Boiler insulation	Up to Ser. Nr.: 222
635	0L0098	Trappola d'aria; boiler	Air trap; boiler	
636	0L0210	Raccordo a "T"	T connection	
638	0L1098	Pompa risciacquo;208/240V 60Hz	Rinse pump;208/240V 60Hz	

Da Ser.Nr./From Ser.nr.: /620....

LAVAGGETTI FRONTALE WT830M / WT830H / WT850M FRONT LOADING DISHWASHER WT830M / WT830H / WT850M				Grassetto = variazioni Bold Print = changes
Pos.	Cod.ric. Part No.	Descrizione	Description	Note / Notes
639	049679	Gomito; 90 GR	Elbow; 90 degr	
641	048834	Filtro	Filter	
642	049773	Tubo 19,5x12	Hose 19,5x12	
643	048531	Tubo 26x38	Hose 26x38	
647	048126	Fascetta 13-20	Hose clamp 13-20	
648	047578	Fascetta 26-38	Hose clamp 26-38	
649	0E5993	Fascetta 7,3-7,8	Hose clamp 7,3-7,8	
650	0L0349	Assieme tappo brillantante	Rinse aid plug assembly	
652	049201	Guarnizione	Gasket	
654	049287	Tubo 25,5x32	Hose 25,5x32	
655	049650	Parzializzatore	Flow reducer	
656	0L0479	Nipplo 3/4"-3/8"	Nipple 3/4"-3/8"	
657	0L0477	Portagomma ottone 3/8" G	Brass fitting 3/8" G	
670	0L2744	Supporto pressostato	Pressure switch plate	From Ser. Nr.: 223
		Pagina 8: Componenti elettrici	Page 8: Electrical components	
727	0E5037	OR 56.52X5.33	OR 56.52X5.33	
732	049620	Pressostato	Pressure switch	
733	049303	Filtro RFI; trifase	RFI filter; three phase	
734	0L0111	Morsettiera	Junction box	
735	0L0430	Contattore; K3-18 A10 180	Contactor; K3-18 A10 180	
736	0L0709	Interfaccia utente	User interface	Up to Ser. Nr.: 622
736	0L1240	Interfaccia utente	User interface	From Ser. Nr.: 623 Up to Ser. Nr.: 742
736	0L1566	Interfaccia utente	User interface	From Ser. Nr.: 743 Up to Ser. Nr.: 022
736	0L1973	Interfaccia utente	User interface	From Ser. Nr.: 023
737	0L2583	Scheda madre	Main board	
738	0L0366	Supporto; sonda di temp.	Support; temp.sound	
739	049643	Sonda di temperatura	Temp.sound	
740	0E5993	Fascetta elastica 7,8-8,3	Hose clamp 7,8-8,3	
741	072393	Tubo gomma; L=2100 MM	Hose	
742	046376	OR 2037	O Ring	
743	0E5942	Protezione	Motor protection	
744	0L1568	Copertura interfaccia utente	User interface cover	From Ser. Nr.: 743
745	0L0280	Premistoppa	Stuffing box	
746	0L1153	Resistenza sx; 6000W 208V	Heating element left; 6000W 208V	a,c,e - Up to Ser. Nr.: 116
746	0L2499	Resistenza sx; 6000W 208V	Heating element left; 6000W 208V	a,c,e - From Ser. Nr.: 117
746	0L2499	Resistenza sx; 6000W 208V	Heating element left; 6000W 208V	a,c,e - Up to Ser. Nr.: 416
746	0L3338	Resistenza sx; 6000W 208V	Heating element left; 6000W 208V	a,c,e - From Ser. Nr.: 417
747	0L1155	Resistenza dx; 6000W 208V	Heating element right; 6000W 208V	a,c,e - Up to Ser. Nr.: 116
747	0L2500	Resistenza dx; 6000W 208V	Heating element right; 6000W 208V	a,c,e - From Ser. Nr.: 117
747	0L2500	Resistenza dx; 6000W 208V	Heating element right; 6000W 208V	a,c,e - Up to Ser. Nr.: 416
747	0L3339	Resistenza dx; 6000W 208V	Heating element right; 6000W 208V	a,c,e - From Ser. Nr.: 417

Da Ser.Nr./From Ser.nr.: /620....

LAVAGGETTI FRONTALE WT830M / WT830H / WT850M		Grassetto = variazioni		
FRONT LOADING DISHWASHER WT830M / WT830H / WT850M		Bold Print = changes		
Pos.	Cod.ric. Part No.	Descrizione	Description	Note / Notes
747	0L1156	Resistenza dx; 6000W 240V	Heating element right; 6000W 240V	b,d,f
750	0E6017	Interruttore automatico tripolare	Three-pole automatic switch	Up to Ser. Nr: 5271
750	0E6017	Interruttore automatico tripolare	Three-pole automatic switch	From Ser. Nr: 5281
751	0L1147	Interruttore bipolare	Double-pole switch	
790	0L1157	Cablaggio	Wiring harness	
790	0L1162	Cablaggio aggiuntivo	Additional wiring harness	e,f