
PNC	Model	Ref.	Page	Notes
178 690	TGV/G1	a	1 - 5	Gas grill 400 mm
178 691	TGV/G2	b	1 - 5	Gas grill 800 mm

Pag. 1 - 2 - 3
Pag. 4 - 5

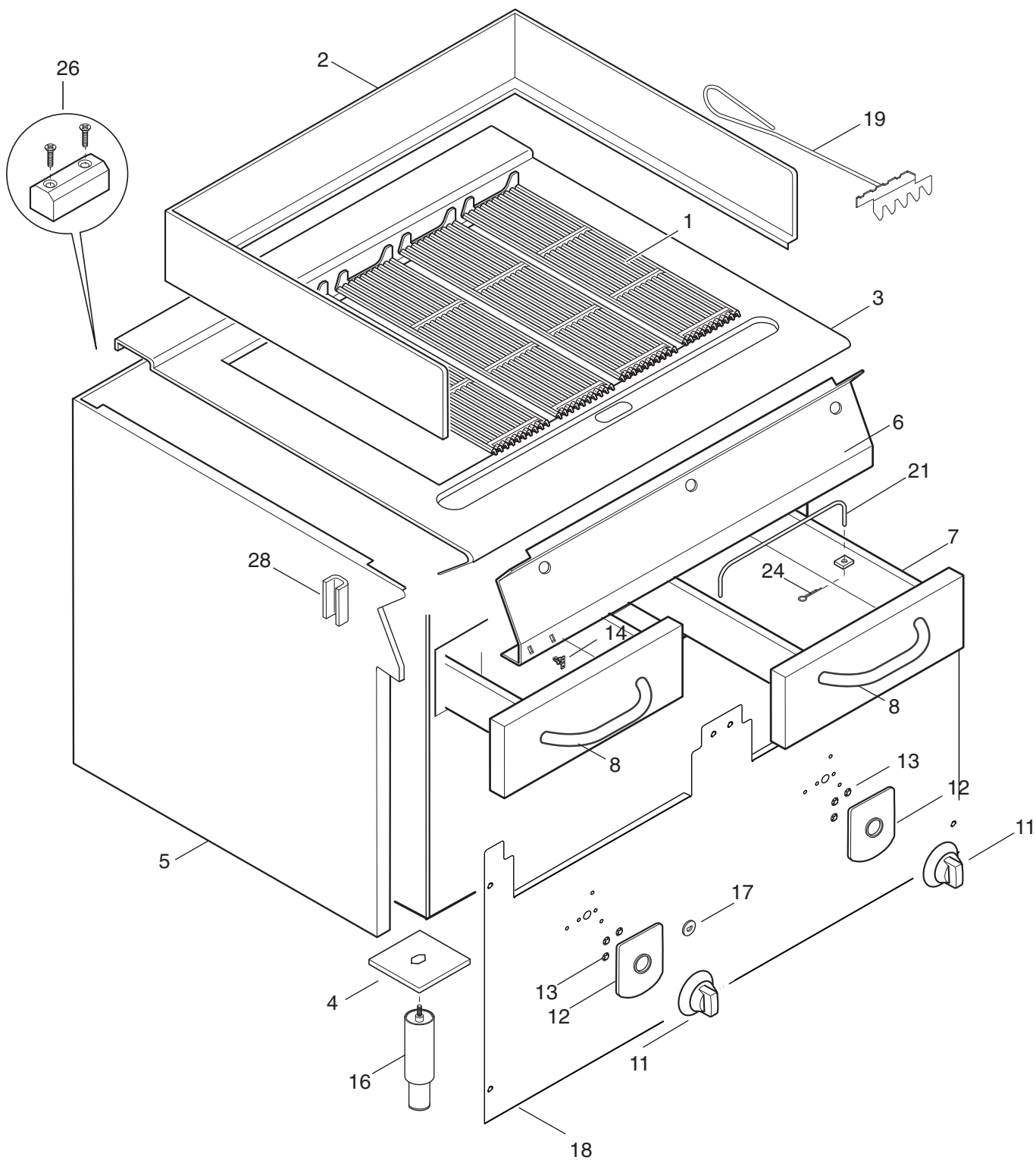
Index

Frame and components
Spare parts list

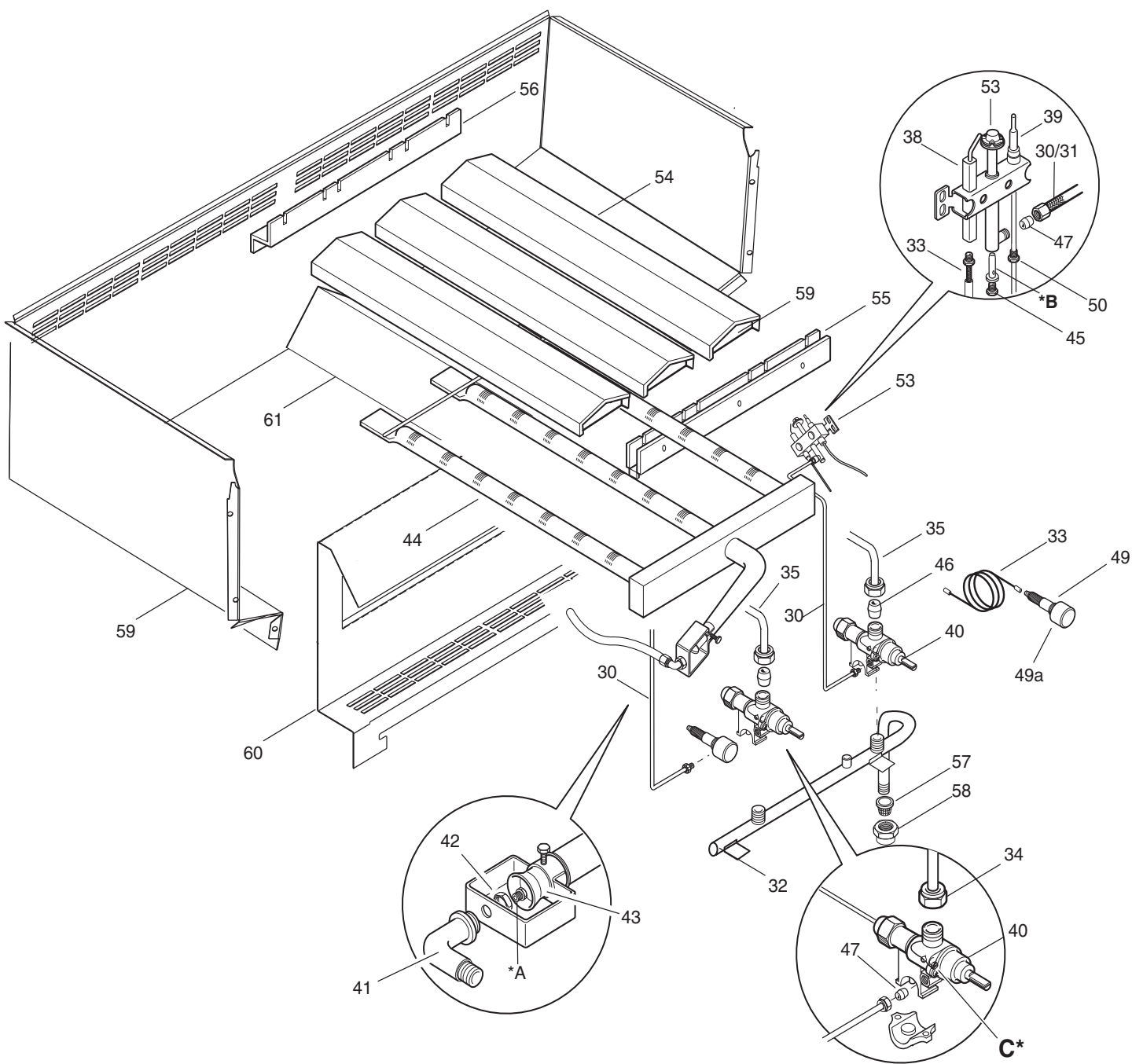
Indice

Struttura e componenti
Lista ricambi

Brand / Marchio : Electrolux
Factory code: 9PDX



GRIGLIA GAS N700
GAS GRILL N700



GRIGLIA GAS N700
GAS GRILL N700

A - Ugello bruciatore / Burner nozzle			
6DGT Code	Ref. / Notes		
0A2105	ø2.00	2H/2E+	G20 20mbar
0A2102	ø2.10	2H	G20 25mbar
0A5356	ø2.35	2ELL	G25 20mbar
0A2475	ø2.25	2L	G25 25mbar
0A2475	ø2.25	2S	G25.1 25mbar
0A2082	ø1.40	3+3B/P	G30 30mbar
0A2533	ø1.35	3B/P	G30 36mbar
0A2101	ø1.25	3B/P	G30 50mbar
058980	ø2.45	No CE	G20 10mbar
059040	ø4.80	1a	G110
005045	ø4.30	1b	G120

B - Ugello pilota / Pilot nozzle			
6DGT Code	Ref./ Notes		
056656	n°35	2H/2E+	G20 20mbar
056656	n°35	2H	G20 25mbar
056656	n°35	2ELL	G25 20mbar
056656	n°35	2L	G25 25mbar
056656	n°35	2S	G25.1 25mbar
058330	n°25	3+3B/P	G30 30mbar
058330	n°25	3B/P	G30 36mbar
058330	n°25	3B/P	G30 50mbar
058330	n°35	No CE	G20 10mbar
056798	n°70	1a	G110
056798	n°70	1b	G120

C - Vite di minimo / Min screw			
6DGT Code	Ref./ Notes		
006193	n°160	2H/2E+	G20 20mbar
006193	n°160	2H	G20 25mbar
006193	n°160	2ELL	G25 20mbar
006193	n°160	2L	G25 25mbar
006193	n°160	2S	G25.1 25mbar
002902	n°105	3+3B/P	G30 30mbar
002902	n°105	3B/P	G30 36mbar
002909	n°95	3B/P	G30 50mbar
-	adjust	No CE	G20 10mbar
-	adjust	1a	G110
-	adjust	1b	G120

**GRIGLIA GAS N700
GAS GRILL N700**

PNC	Model	Ref.
178 690	TRG/G1	a
178 691	TRG/G2	b

Pos	Factory Code	6DGT Code	Descrizione	Description	Ref./ Notes
			Pagina 1	Page 1	
1	0510823201	0C2570	GRIGLIA GOLOSA GHISA 400mm	CAST IRON GRID 400mm	a c
	0510823301	0C2571	GRIGLIA GOLOSA GHISA 800mm	CAST IRON GRID 800mm	b d
2	0530872000	0C5032	PARASPRUZZI GRIGLIA 400mm	SPLASHBACK 400mm	a c
	0530872100	0C5033	PARASPRUZZI GRIGLIA 800mm	SPLASHBACK 800mm	b d
3	0870869900	0C5038	RIPIANO 400mm	WORK TOP 400mm	a c
	0870869700	0C5036	RIPIANO 800mm	WORK TOP 800mm	b d
4	0508898900	0C0122	PIASTRA RINFORZO PIEDE	STIFFENING PLATE, FOOT	
5	0530867800	*	RIVESTIMENTO LATERALE 400MM	EXTERNAL PANEL 400 mm	a c
	0530867900	*	RIVESTIMENTO LATERALE 800MM	EXTERNAL PANEL 800 mm	b d
6	0853888802	0C2065	CRUSCOTTO GAS 400mm	GAS CONTROL PANEL 400mm	a c
	0853888902	0C2066	CRUSCOTTO GAS 800mm	GAS CONTROL PANEL 800mm	b d
7	085089AK00	0C6837	CASSETTO	DRAWER	
8	0830896500	0C2026	MANIGLIA CASSETTO	HANDLE, DRAWER	
11	0548859700	0C2009	MANOPOLA RUBINETTO GAS	KNOB, GAS TAP	
12	0548858000	0C2007	GHIERA PER RUBINETTO GAS	KNOB RING, GAS TAP	
13	0218912211	069567	MOLLETTA FISSAGGIO GHIERA	SPRING, KNOB RING	
14	0518801801	053342	MOLLA PER MARCHIO	SPRING, LABEL	
16	0853856900	0C0204	PIEDE	FOOT	
17	0541813800	0C6171	GUARNIZIONE IN SILICONE	SILICONE GASKET	
18	0530868600	0C4715	PANNELLO ANTERIORE GAS 400mm	FRONT PANEL GAS 400mm	a c
	0530868700	0C4716	PANNELLO ANTERIORE GAS 800mm	FRONT PANEL GAS 800mm	b d
19	0831802600	0C0474	RASCHIETTO PER GRIGLIA	SCRAPER	
21	0514885600	059299	MANIGLIA RECIPIENTE OLIO	HANDLE, OIL TANK	
24	0219293205	0C0477	COPIGLIA	COTTER PIN	
26	0516860700	0C0137	PIASTRA UNIONE POSTERIORE	JOINTING REAR PLATE	
28	0527850500	0C0156	PIASTRA FISSAGGIO FIANCHI	SIDE PANELS JOINTING PLATE	

**GRIGLIA GAS N700
GAS GRILL N700**

PNC	Model	Ref.
178 690	TRG/G1	a
178 691	TRG/G2	b

Pos	Factory Code	6DGT Code	Descrizione	Description	Ref./ Notes
			Pagina 2	Page 2	
30	0517873802	0C0480	CONDUTTURA DESTRA PILOTA	RIGHT PILOT PIPE	
	0516895300	0C5031	CONDUTTURA SINISTRA PILOTA	LEFT PILOT PIPE	b
32	0853894301	0C2935	RIBALTA 400mm	MANIFOLD 400mm	a
	0853894400	0C2936	RIBALTA 800mm	MANIFOLD 800mm	b
33	0638883500	006514	CAVETTO ACCENSIONE PIEZO	IGNITION CABLE, PIEZO	
34	0514829301	0A2125	DADO RUBINETTO	NUT, GAS TAP	a
	0W00501200	*	DADO	NUT	
35	0856802500	0C2937	CONDUTTURA RUBIN.-BRUCIATORE	GAS PIPE GAS TAP-BURNER	
37	0215199700	052127	BICONO PILOTA - RUBINETTO GAS	DOUBLE CONE, PILOT - GAS TAP	
38	0830897000	0C0488	ELETTRODO; ACCENSIONE	ELECTRODE	
39	0830853101	051119	TERMOCOPPIA	THERMOCOUPLE	
40	0835857201	0C0205	RUBINETTO GAS	GAS TAP	
41	0511805801	059375	PORTAUGELLO	NOZZLE HOLDER	
42	0214105101	020997	CONTRODADO	LOCK NUT	
43	0215088100	052062	BOCCOLA REGOLAZIONE ARIA	BUSH, AIR REGULATION	
44	0853894503	0C2657	BRUCIATORE DESTRO	RIGHT SIDE BURNER	
	0851815800	0C5034	BRUCIATORE SINISTRO	LEFT SIDE BURNER	
45	0214164400	052125	RACCORDO PILOTA	PIPE FITTING, PILOT	
46	0215073101	060325	BICONO RUBINETTO	DOUBLE CONE, GAS TAP	
47	0515827401	053665	BICONO PILOTA	DOUBLE CONE, PILOT	
49	0835834900	002605	ACCENDITORE PIEZO	PIEZOELECTRIC IGNITER	
49a	0541809000	002816	COPERTURA PULSANTE PIEZO	COVER, PIEZO	
50	0214162000	0C0121	RACCORDO TERMOCOPPIA	PIPE FITTING, THERMOCOUPLE	
53	0830894900	0C0494	PILOTA	PILOT	
54	0806860400	0C3993	TEGOLO RADIANTE 400mm	RADIANT PLATES 400mm	a
	0806860500	0C3994	TEGOLO RADIANTE 800mm	RADIANT PLATES 800mm	b
55	0528866300	0C4056	SUPPORTO ANT. TEGOLI 400mm	FRONT HOLDER, RAD. PLATE 400mm	a
	0528866500	0C4057	SUPPORTO ANT. TEGOLI 800mm	FRONT HOLDER, RAD. PLATE 800mm	b
56	0528866400	0C4058	SUPPORTO POST. TEGOLI 400mm	REAR HOLDER, RAD. PLATE 400mm	a
	0528866600	0C4059	SUPPORTO POST. TEGOLI 800mm	REAR HOLDER, RAD. PLATE 800mm	b
57	0516863902	0C0140	FILTRO PER TUBO	PIPE FILTER	
58	0246519800	0C2356	TAPPO PER RIBALTA	MANIFOLD STOPPER	
59	0532874900	*	CAMERA DI COMBUSTIONE	COMBUSTION CHAMBER	a
	0532875000	*	CAMERA DI COMBUSTIONE	COMBUSTION CHAMBER	b
60	0538824100	*	PARETE ANT.CAMERA COMB	FRONT COMBUSTION CHAMBER	a
	0538822900	*	PARETE ANT.CAMERA COMB	FRONT COMBUSTION CHAMBER	b
61	0538810801	*	ELEMENTO CENTRALE CAMERA	CENTRAL CROSSPIECE	b
62	0538810302	*	TRAVERSA CENTRALE		