

Modular Platform

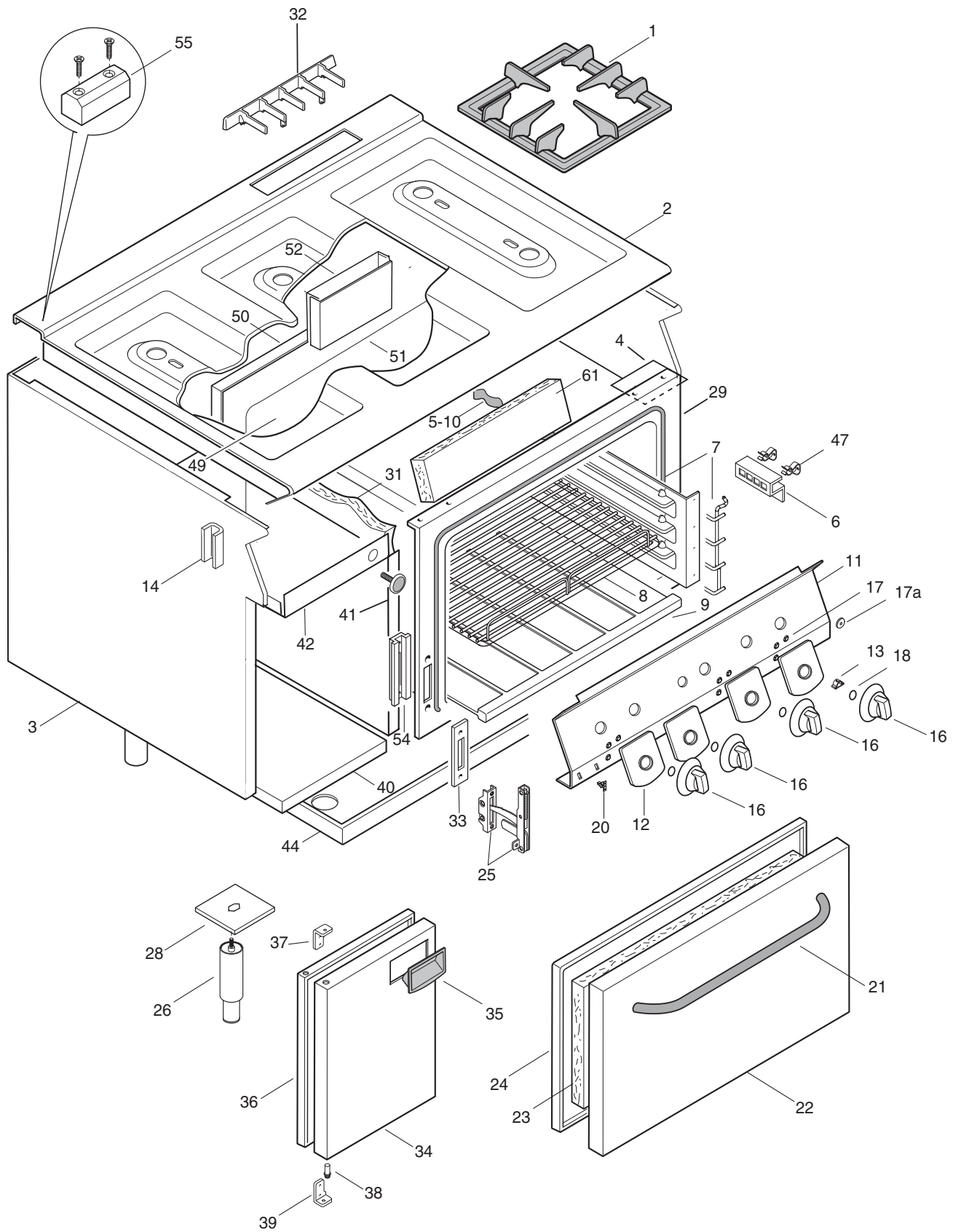
Viale Treviso, 15
33170 Pordenone - Italy
Fax: +390434-380577

**CUCINE GAS-FORNO ELETTRICO N700
BURNER GAS RANGE WITH ELECTRIC OVEN N700**

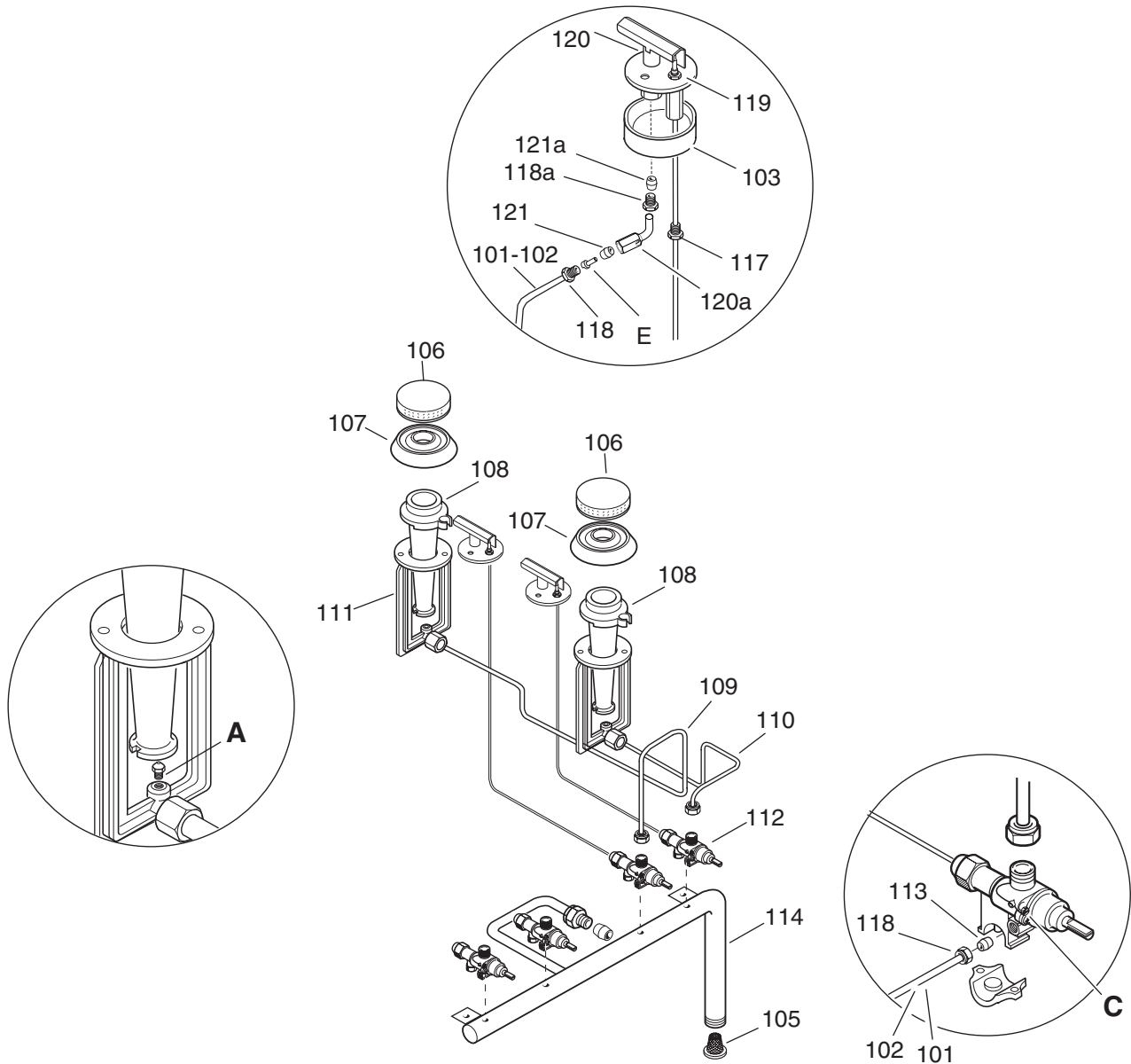
PNC	Model	Ref.	Page	Notes
178 811	TCF/M2A	a	1-6	4 Burners Gas Range+Electric oven 800 MM
178 812	TCF/M3A	b	1-6	6 Burners Gas Range+Electric oven+Cupb 1200 MM

	Indice	Index
Pag. 1	Mobile e componenti	Structure and components
2	Impianto gas	Gas components
3	componenti elettrici	Electric components
4 - 6	Lista ricambi	Spare parts list

Marchio / Brand: Electrolux
Factory code: 9PDX



CUCINE GAS FORNO ELETTRICO N700
 GAS RANGE WITH ELECTRIC OVEN N700



A - Ugello bruciatore / Burner nozzle ϕ 60

6DGT Code	Ref. / Notes
0A2650	ϕ 1.20 3+3B/P G30 30mbar
0A2102	ϕ 2.00 No CE G20 10mbar

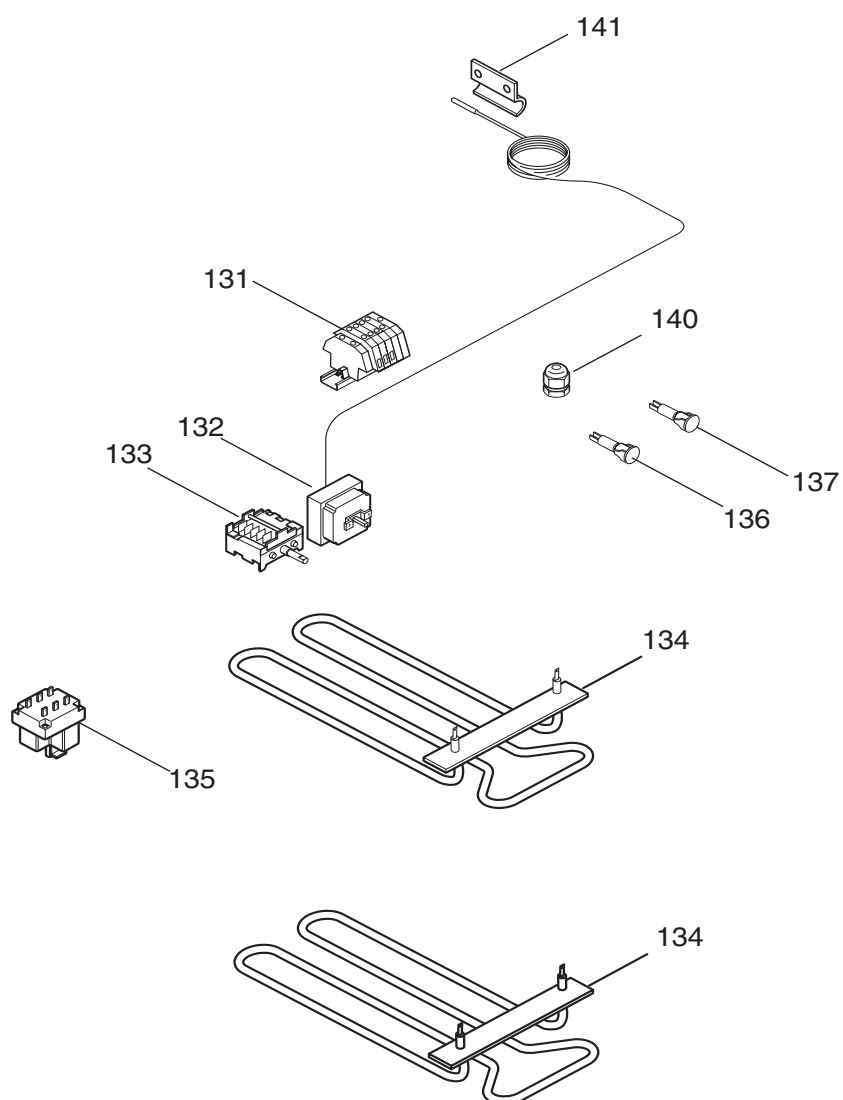
B - Ugello pilota / Pilot nozzle

6DGT Code	Ref. / Notes
054593	n°25 3+3B/P G30 30mbar
053670	n°41 No CE G20 10mbar

C - Vite di minimo / Min screw ϕ 60

6DGT Code	Ref. / Notes
002909	n°55 3+3B/P G30 30mbar
003182	n°80 No CE G20 10mbar

CUCINE GAS FORNO ELETTRICO N700
GAS RANGE WITH ELECTRIC OVEN N700



CUCINE GAS FORNO ELETTRICO N700
GAS RANGE WITH ELECTRIC OVEN N700

**CUCINE GAS CO FORN ELETTRICON700
BURNER GAS RANGE WITH ELECTRIC OVEN N700**

PNC **Model** **Ref.**
178 811 **TCF/M2A** **a**
178 812 **TCF/M3A** **b**

Pos	Factory Code	6 Dgt Code	Descrizione	Description	Ref. / Notes
			Pagina 1	Page 1	
1	0511821400	0C2526	GRIGLIA FUOCHI GHISA	CAST IRON GRID	
2	0873885700	0C4606	RIPIANO 800mm	TABLE TOP 800mm	a
	0873886000	0C4609	RIPIANO 1200mm	TABLE TOP 1200mm	b
3	0530867900	*	RIVESTIMENTO LATERALE 800MM	EXTERNAL PANEL 800MM	a
	0530868000	*	RIVESTIMENTO LATERALE 1200MM	EXTERNAL PANEL 1200MM	b
4	0529850500	0C0182	PIASTRINA FACCIATA-FIANCO	PLATE JOINTING	
5	0560851800	*	ISOLAMENTO CIELO FORNO	INSULATION, OVEN	
6	0507861301	059233	GRIGLIA PROTEZIONE BULBO	PROTECTION PROBE GRID	till s/ 942
	0538862800	0C6444	GRIGLIA PROTEZIONE BULBO	PROTECTION PROBE GRID	from s/n 942
7	0530855900	0C4818	GUIDA GRIGLIA	GRATE LEADING	till s/ 942
	051489AG00	0C6454	GUIDA GRIGLIA	GRATE LEADING	from s/n 942
8	0856814400	0C4819	GRIGLIA FORNO	GRATE, OVEN	till s/ 942
	0856814401	0C6455	GRIGLIA FORNO	GRATE, OVEN	from s/n 942
9	0500850001	054144	SUOLA FORNO	SOLE PLATE	
10	0543821000	053816	GUARNIZIONE MANOPOLA	GASKET KNOB	
11	0853886101	0C2050	CRUSCOTTO 800mm	CONTROL PANEL 800mm	a
	0856815601	0C4660	CRUSCOTTO 1200mm	CONTROL PANEL 1200mm	b
12	0548858000	0C2007	GHIERA MANOPOLA FUOCHI ANT.	KNOB RING, FRONT BURNER	
	0548858100	0C2008	GHIERA MANOPOLA FUOCHI POS.	KNOB RING, REAR BURNER	
	0548862701	0C2017	GHIERA COMMUTATORE E TERMOST.	KNOB RING FOR SWITCH AND THERM.	
13	0214590701	025245	MOLLETTA PER MANOPOLA	KNOB SPRING	
14	0527850500	0C0156	PIASTRA FISSAGGIO FIANCHI	SIDE PANELS JOINTING PLATE	
16	0548859700	0C2009	MANOPOLA RUBINETTO	KNOB GAS TAP	
	0548860700	0C2014	MANOPOLA COMMUTATORE	KNOB, SWITCH	
	0548860800	0C2015	MANOPOLA TERMOSTATO	KNOB, THERMOSTAT	
17	0218912211	069567	MOLLETTA	SPRING	
17a	0541813800	0C6171	RONDELLA	WASHER	
18	0543815000	059293	GUARNIZIONE MANOPOLA	GASKET FOR KNOB	
20	0518801801	053342	MOLLA PER MARCHIO	SPRING, LABEL	
21	0831825200	0C2030	MANIGLIA FORNO	HANDLE, OVEN	
22	0529837000	0C1234	PORTA FORNO	OVEN DOOR	
23	0560839601	0C0197	ISOLAMENTO PORTA FORNO	INSULATION OVEN DOOR	
24	0522882800	0C2694	CONTROPORTA FORNO	INNER DOOR	
25	0835848100	0C0203	CERNIERA PORTA	HINGE	
26	0835856900	0C0204	PIEDE	FOOT	
28	0508898900	0C0122	PIASTRA DI RINFORZO PIEDE	STIFFENING PLATE, FOOT	

**CUCINE GAS CO FORN ELETTRICON700
BURNER GAS RANGE WITH ELECTRIC OVEN N700**

PNC	Model	Ref.
178 811	TCF/M2A	a
178 812	TCF/M3A	b

Pos	Factory Code	6 Dgt Code	Descrizione	Description	Ref. / Notes
			Pagina 1	Page 1	
29	0870838204	0C0218	FACCIATA FORNO 800mm	FRONT OVEN 800mm	a c
	0870838304	0C0219	FACCIATA FORNO 1200mm	FRONT OVEN 1200mm	b
31	0560802203	*	ISOLANTE DX E SX FORNO	OVEN INSULATION	
32	0510824800	0C4672	GRIGLIA CAMINO	GRATE, CHIMNEY	
33	0205075423	052725	COPRICERNIERA	HINGE COVER	
34	0529860101	0C1996	PORTA SINISTRA	DOOR LEFT SIDE	
35	0548861302	0C2016	MANIGLIA SINISTRA	HANDLE LEFT SIDE	
36	0529836800	0C0177	CONTROPORTA	INNER DOOR	
37	0516860801	0C0138	CERNIERA	HINGE	
38	0518803803	0C1280	PERNO PORTA	PIVOT	
39	0516860901	0C0139	CERNIERA	HINGE	
40	0522891100	*	FONDO ARMADIETTO	BOTTOM PANEL CUPBOARD	
41	0830898200	0C0201	MAGNETE	MAGNET	
42	0522891200	*	CELLA ARMADIETTO	PANEL FOR CUPBOARD	
44	0530830801	*	FONDO CUCINA GAS 800mm	BOTTOM PANEL 800mm	a c
	0530843301	*	FONDO CUCINA GAS 1200mm	BOTTOM PANEL 1200mm	b
47	0214584201	066823	MOLLA PER BULBO	SPRING, BULB	till s/ 942
49	0522883603	*	INVOLUCRO FORNO	OVEN SHELL	till s/n 942
	0522883604	*	INVOLUCRO FORNO	OVEN SHELL	from s/n 942
50	0522882700	*	SCHIENALE FORNO	REAR SIDE PANEL OVEN	
51	0533825300	*	ANTERIORE CAMINO FORNO	FRONT CHIMNEY OVEN	
52	0533825400	*	POST. CAMINO FORNO	REAR CHIMNEY OVEN	
54	0529835403	0C0165	SUPPORTO CERNIERA	HOLDER FOR HINGE	till s/n 904
	0529835404	0C5244	SUPPORTO CERNIERA	HOLDER FOR HINGE	from s/n 904
55	0516860700	0C0137	PIASTRA GIUNZIONE POST.	JOINTING REAR PLATE	
59	0140088006	0L0113	GUARNIZIONE CRUSCOTTO	GASKET FOR CONTROL PANEL	
61	0560840300	0C0261	ISOLAMENTO ANTERIORE CELLA	FRONT SIDE INSULATION CELL	

**CUCINE GAS CO FORN ELETTRICON700
BURNER GAS RANGE WITH ELECTRIC OVEN N700**

PNC	Model	Ref.
178 811	TCF/M2A	a
178 812	TCF/M3A	b

Pos	Factory Code	6 Dgt Code	Descrizione	Description	Ref. / Notes
			Pagina 2	Page 2	
101	0544821000	0C4192	CONDUTTURA ANTERIORE PILOTA	FRONT PILOT PIPE	
102	0544820900	0C4193	CONDUTTURA POSTERIORE PILOTA	REAR PILOT PIPE	
103	0516896900	0C4364	DISTANZIALE PILOTA	PILOT SPACER	
105	0246519800	0C2356	TAPPO PER RIBALTA	STOPPER, MANIFOLD	
106	0510819501	0C0129	SPARTIFIAMMA DIAM.60	FLAME SPREADER DIA.60	
107	0510819303	0C0127	BRUCIATORE DIAM.60	BURNER DIA.60	
108	0510819103	0C0125	VENTURI BRUCIATORE DIAM.60	VENTURI, BURNER DIA.60	
109	0835868200	0C2800	CONDUTTURA POSTERIORE FUOCHI	REAR BURNER PIPE	
110	0835868100	0C2799	CONDUTTURA ANTERIORE FUOCHI	FRONTAL BURNER PIPE	
111	0510819003	0C0124	SUPPORTO VENTURI	HOLDER FOR VENTURI	
112	0835857201	0C0205	RUBINETTO GAS	GAS TAP	
113	0215199700	052127	BICONO	DOUBLE CONE	
114	0853897300	0C2951	RIBALTA 1200mm	MANIFOLD 1200mm	b
	0853856602	0C0268	RIBALTA 800mm	MANIFOLD 800mm	a
115	0516863900	0C0140	FILTRO GAS	FILTER	
117	0214162000	0C0121	RACCORDO X TERMOCOPPIA	NUT, THERMOCOUPLE	
118	0214164400	052125	RACCORDO	NUT	
118a	0516887500	0C3646	RACCORDO	CONNECTION	
119	0831800500	0C0202	TERMOCOPPIA	THERMOCOUPLE	
120	0806854300	0C3644	PILOTA FUOCHI	PILOT BURNER	
120a	0510823900	0C3643	SUPPORTO CURVO PER UGELLO PILOTA	CURVED JET HOLDER	
121	0515827401	053665	BICONO	DOUBLE CONE	
121a	0516888200	0C3645	BICONO PER PILOTA D.4	DOUBLE CONE D.4 FOR PILOT	
			Pagina 3	Page3	
131	0639806002	002691	MORSETTIERA	MAIN TERMINAL BLOCK	
132	0646805302	059235	TERMOSTATO	THERMOSTAT	
133	0641803700	0C0320	COMMUTATORE	SWITCH	
134	0617832400	0C2813	RESISTENZA FORNO 1500W 400V	HEATING ELEMENT 1500W 400V	a b
135	0646808600	004600	LIMITATOR DI TEMPERATURA	SAFETY THERMOSTAT	
136	0876800102	005011	LAMPADA GIALLA TONDA	YELLOW LAMP	
137	0876800002	005010	LAMPADA VERDE TONDA	GREEN LAMP	
140	0544802400	0C3528	PASSACAVO	CORE HITCH	
141	0205251401	051939	PROFILO ARRESTO BULBO	PLATE FOR BULB	