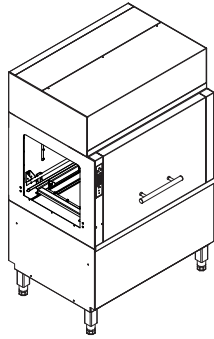
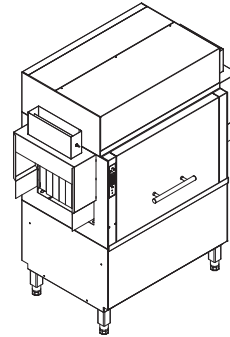




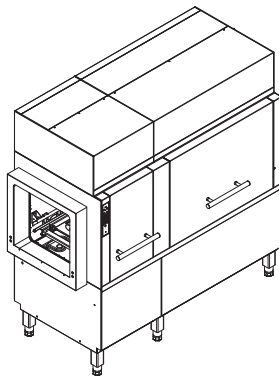
Lavastoviglie a cesto trascinato compatte Compact Rack Type dishwasher



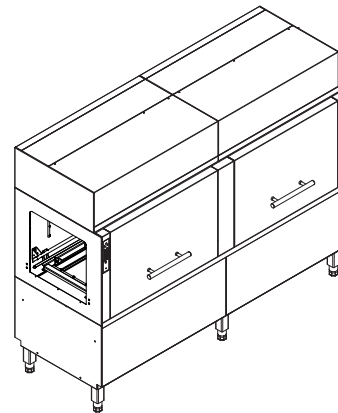
RTCS90 / WTCS90



RTCS140 / WTCS140



RTCS180 / WTCS180



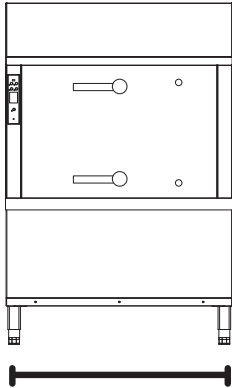
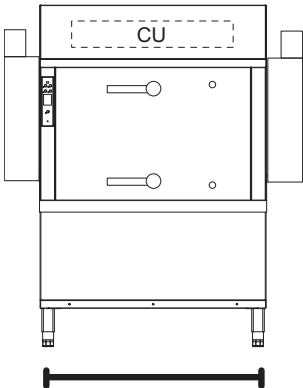
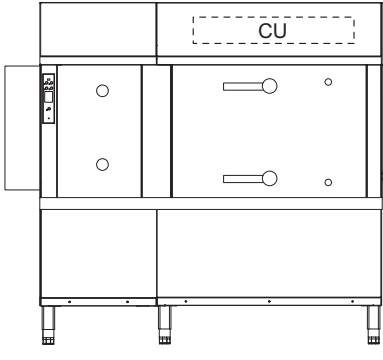
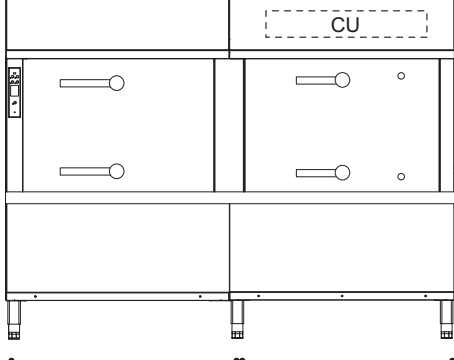
RTCS250 / WTCS250

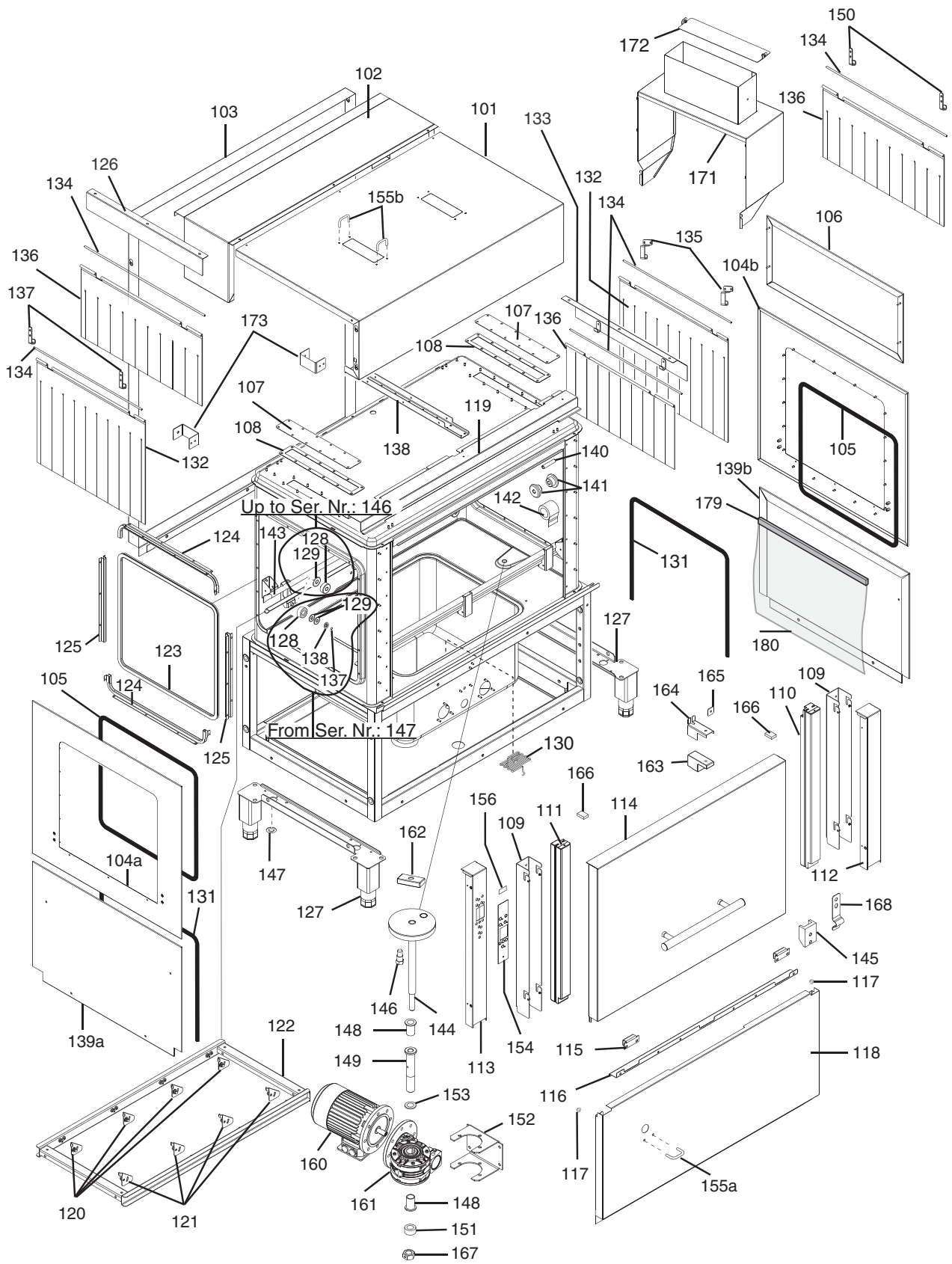
Marchio/Brand: E
Paese/Country: Tutti/All

INDICE / INDEX

Disegno/ Drawing	Descrizione / Description	Pagina/ Page
	PROSPETTO COMPOSIZIONE MODULI / VIEW OF MODULE COMPOSITION	3
ill. 657001p1	Lavaggio + Risciacquo da 44", vista generale / Wash + Rinse from 44", Main view	4
	Lista ricambi / Spare parts list	5
ill. 657001p2	Prelavaggio da 22", vista generale / Prewash from 22", Main view	8
	Lista ricambi / Spare parts list	9
ill. 657001p3	Prelavaggio da 44", vista generale / Prewash from 44", Main view	11
	Lista ricambi / Spare parts list	12
ill. 657001p4	Lavaggio+Risciacquo da 44", Circuito Idraulico lavaggio/ Wash+Rinse from 44", Wash hydraulic circuit	14
	Lista ricambi / Spare parts list	15
ill. 657001p5	Lavaggio+Risciacquo da 44", Circuito Idraulico a pressione risciacquo/ Wash+Rinse from 44", Rinse pressure hydraulic circuit	17
	Lista ricambi / Spare parts list	18
ill. 657001p6	Prelavaggio da 22", Circuito Idraulico / Prewash from 22", Hydraulic circuit	20
	Lista ricambi / Spare parts list	21
ill. 657001p7	Prelavaggio da 44", Circuito Idraulico / Prewash from 44", Hydraulic circuit	23
	Lista ricambi / Spare parts list	24
ill. 657001p8	Lavaggio+Risciacquo da 44", Componenti elettrici / Wash+Rinse from 44", Electrical components	26
	Lista ricambi / Spare parts list	27
ill. 657001p9	Prelavaggio da 22", Componenti elettrici / Prewash from 22", Electrical components	30
	Lista ricambi / Spare parts list	31
ill. 657001p10	Prelavaggio da 44", Componenti elettrici / Prewash from 44", Electrical components	32
	Lista ricambi / Spare parts list	33
ill. 657001p11	Kit Air gap (Only for Middle East version - WTCS140XXO/ WTCS180XXO)	35
	Lista ricambi / Spare parts list	36

PROSPETTO COMPOSIZIONE MODULI / VIEW OF MODULE COMPOSITION

RTC90 / WTC90	RTC140 / WTC140
 <p data-bbox="352 579 584 632">Lavaggio + Risciacquo / Wash + Rinse (44")</p>	 <p data-bbox="1002 579 1233 632">Lavaggio + Risciacquo / Wash + Rinse (44")</p>
<p data-bbox="373 678 571 779">ill. 657001p1 pag. 4 ill. 657001p4 pag. 14 ill. 657001p5 pag. 17 ill. 657001p8 pag. 26</p>	<p data-bbox="1018 678 1216 779">ill. 657001p1 pag. 4 ill. 657001p4 pag. 14 ill. 657001p5 pag. 17 ill. 657001p8 pag. 26</p>
RTC180 / WTC180	RTC250 / WTC250
 <p data-bbox="300 1272 675 1325">Prelavaggio / Lavaggio + Risciacquo / Prewash (22") Wash + Rinse (44")</p>	 <p data-bbox="914 1272 1337 1325">Prelavaggio / Lavaggio + Risciacquo / Prewash (44") Wash + Rinse (44")</p>
<p data-bbox="212 1377 414 1455">ill. 657001p2 pag. 8 ill. 657001p7 pag. 23 ill. 657001p9 pag. 30</p> <p data-bbox="536 1377 738 1478">ill. 657001p1 pag. 4 ill. 657001p4 pag. 14 ill. 657001p5 pag. 17 ill. 657001p8 pag. 26</p>	<p data-bbox="855 1377 1058 1455">ill. 657001p3 pag. 11 ill. 657001p7 pag. 23 ill. 657001p9 pag. 30</p> <p data-bbox="1179 1377 1382 1478">ill. 657001p1 pag. 4 ill. 657001p4 pag. 14 ill. 657001p5 pag. 17 ill. 657001p8 pag. 26</p>



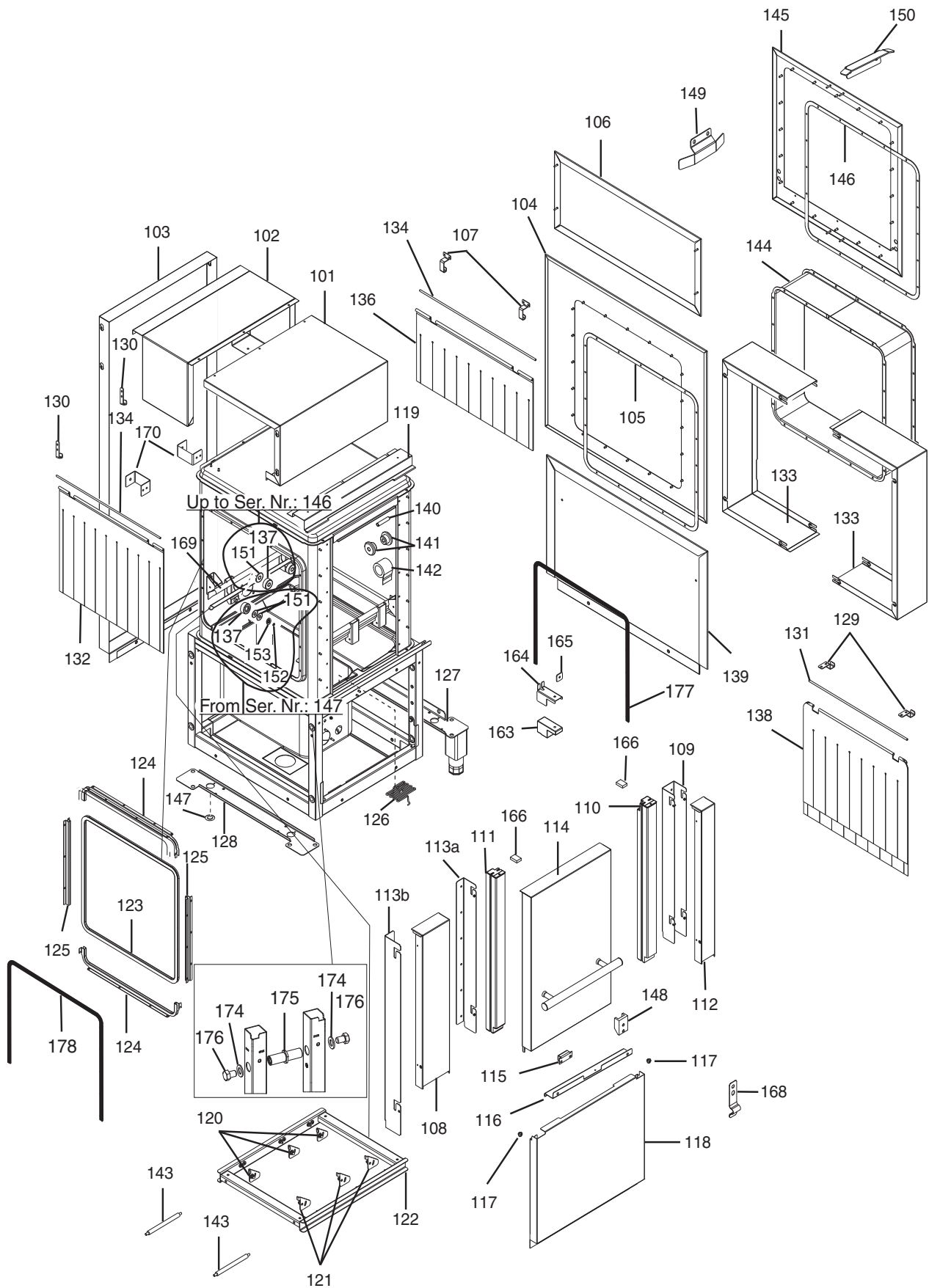
ill. 657001p1

Lavaggio + Risciacquo da 44", vista generale/ Wash + Rinse from 44", Main view

Pos.	Q.tà Q.ty	Cod.ric. Part No.	Cod. Fab. Fac. code	Descrizione	Description	Note Notes
101	1	0L1723	830654B00	Copertura mobile CU	CU mobile cover	Up to Ser. Nr.: 908
101	1	0L2041	830654B03	Copertura mobile CU	CU mobile cover	From Ser. Nr.: 909
101	1	0L2041	830654B02	Copertura mobile CU	CU mobile cover	Up to Ser.: 5141
101	1	0LXXXX	83065GC00	Copertura mobile CU	CU mobile cover	From Ser.: 5151
102	1	0L1517	830652000	Copertura fissa CU	CU fixed cover	Up to Ser. Nr.: 908
103	1	0L1721	830654A01	Schienale	Back panel	Up to Ser. Nr.: 908
103	1	0L2040	830654A03	Schienale	Back panel	From Ser. Nr.: 909
						Up to Ser. Nr.: 146
103	1	0L2542	830657Y00	Schienale	Back panel	From Ser. Nr.: 147
104a	1	0L0826	830638203	Pannello sinistro	Left panel	Not for 140 b/h
104b	1	0L0880	830638303	Pannello destro	Right panel	Not for 140 b/h
104a	1	0L1726	830654E02	Pannello sinistro	Left panel	For 140 b/h
104b	1	0L1725	830654D02	Pannello destro	Right panel	For 140 b/h
105	2	0L0875	543629700	Guarnizione	Gasket	
106	2	0L1584	830651401	Fianco copertura CU	CU cover flank	
107	2	0L0877	800667301	Tappo CU	CU plug	
108	2	0L0876	543631001	Guarnizione tappo CU	CU plug gasket	
109	1	0L1169	830643202	Supporto pannello	Panel support	
110	1	0L0832	830637101	Guida porta destra	Right door rail	
111	1	0L0833	830637201	Guida porta sinistra	Left door rail	
112	1	0L0856	830641103	Pannello stretto	Slim panel	
113	1	0L1706	830654C01	Pannello interfaccia utente	User interface panel	
114	1	0L1510	835620901	Porta	Door	Up to Ser: 1450
114	1	0L2461	835621F00	Porta	Door	From Ser: 1451
115	2	0E2898	W00143601	Supporto molla	Spring support	
116	1	0L1492	5046A2301	Paraspruzzi	Splashguard	
117	4	0L0839	549644800	Perno aggancio	Locking stud	
118	1	0L1722	503617D02	Pannello inferiore	Lower panel	Up to Ser. Nr.: 146
118	1	0L2628	503617D03	Pannello inferiore	Lower panel	From Ser. Nr.: 147
119	1	0L1520	503613802	Carter	Carter	Up to Ser.: 5141
119	1	0L3562	5046ABB00	Carter	Carter	From Ser.: 5151
120	4	0L1314	5046A3800	Dente traino destro	Right rack tooth	
121	4	0L1315	5046A3900	Dente traino sinistro	Left rack tooth	
122	1	0L1303	830632401	Slitta	Slide	
123	1	0L0827	543630300	Guarnizione	Gasket	
124	2	0L0992	502697601	Copertura orizzontale guarnizione	Gasket horizontal cover	
125	2	0L0991	502697501	Copertura verticale guarnizione	Gasket vertical cover	
126	1	0L0852	800667800	Sostegno tendina singola corta	Single short curtain support	
127	2	0L0853	503603601	Piedi telaio	Frame feet	
128	6	0L2443	W00017300	Boccola aggancio slitta	Trail lock device	Up to Ser. Nr.: 146
128	6	0L2520	547604800	Boccola aggancio slitta	Trail lock device	From Ser. Nr.: 147
129	6	0L2174	549646100	Distanziale	Roller spacer	Up to Ser. Nr.: 146
129	12	0L2174	549646100	Distanziale	Roller spacer	From Ser. Nr.: 147
130	1	0L2515	5146A4100	Protezione scarico	Drain screen	From Ser. Nr.: 147
131	2	0L2167	543633J00	Guarnizione pannello inferiore	Lower side panel gasket	
132	2	0L1732	541617000	Tendina doppia lunga	Double long curtain	
133	1	0L1768	800667600	Sostegno tendina singola corta	Single short curtain support	
134	6	0E5826	RT0003700	Asse tendina	Curtain rod	
135	2	0L1172	505600001	Gancio tendina	Curtain hook	
136	4	0L1733	541617100	Tendina singola corta	Single short curtain	

Lavaggio + Risciacquo da 44", vista generale				ill. 657001p1		Grassetto = variazioni
Wash + Rinse from 44", Main view						Bold Print = changes
Pos.	Q.tà Q.ty	Cod.ric. Part No.	Cod. Fab. Fac. code	Descrizione	Description	Note Notes
137	6	0L2522	219614400	Anello di tenuta	Retainer ring	From Ser. Nr.: 147
138	6	0L2521	5066A0R00	Dischetto contenimento rulli	Flanged washer	From Ser. Nr.: 147
139a	1	0L1720	5026B8F00	Fianco inferiore sinistro	Left lower flank	From Ser.: 1451
139b	1	0L1719	5026B8D00	Fianco inferiore destro	Right lower flank	From Ser.: 1451
140	2	0L0857	515659300	Camicia molla	Coil sleeve	
141	4	0L1170	546631100	Boccola molla	Spring bush	
142	2	0E5167	W00093300	Molla	Spring	
143	2	0L1505	830646701	Guida cesto	Basket guide	Up to Ser. Nr.: 146
143	2	0L2519	830657T00	Guida cesto	Basket guide	From Ser. Nr.: 147
143	2	0L2519	830657T00	Guida cesto	Basket guide	Up to Ser. Nr.: 1450
143	2	0L3289	83065AN01	Guida cesto	Basket guide	From Ser. Nr.: 1451
143	2	0L2590	835621U00	Kit guida cesto	Basket guide kit	Up to Ser. Nr.: 147
143	2	0L2590	835621U01	Kit guida cesto	Basket guide kit	From Ser. Nr.: 1451
144	1	0L1308	835620702	Asse trascinamento	Conveyor shaft	
145	2	0L0861	541612801	Fermo porta	Door stop	
146	1	0L1278	514695102	Perno	Pin	
147	3	0L0993	541612500	Tappo	Plug	
148	2	0E5043	W00115100	Boccola	Bush	
149	1	0L0847	514695001	Asse motoriduttore	Gear motor rod	
150	2	0L0997	RT0021201	Gancio tendina	Curtain hook	For 140 b/h
151	1	0E5187	W00111300	Anello di arresto	Blocking ring	
152	1	0L0849	830640401	Supporto motoriduttore	Gear motor support	Up to Ser. Nr.: 928
152	1	0L2091	504696302	Supporto motoriduttore	Gear motor support	From Ser. Nr.: 929
152	1	0L2317	504696303	Supporto motoriduttore	Gear motor support	Up to Ser. Nr.: 019
153	4	0L0152	RT0020700	Molla a tazza	Spring washer	From Ser. Nr.: 020
154	1	0L1747	548649900	Membrana adesiva destra	Right control panel	Electrolux
154	1	0L1745	548649700	Membrana adesiva destra	Right control panel	Electrolux - 1 speed
154	1	0L1746	548649800	Membrana adesiva sinistra	Left control panel	Electrolux
154	1	0L1744	548649600	Membrana adesiva sinistra	Left control panel	Electrolux - 1 speed
154	1	0L1715	548648L00	Membrana adesiva destra	Right control panel	Multibrand
154	1	0L1713	548648J00	Membrana adesiva destra	Right control panel	Multibrand -1 speed
154	1	0L1716	548648M00	Membrana adesiva sinistra	Left control panel	Multibrand
154	1	0L1714	548648K00	Membrana adesiva sinistra	Left control panel	Multibrand - 1 speed
155a	1	0L1181	5146A0500	Protezione sezionatore	Main switch protection	Up to Ser. Nr.: 146
155a	1	0L2514	5146A4F00	Protezione sezionatore	Main switch protection	From Ser. Nr.: 147
155b	2	0L2514	5146A4F00	Protezione CU	CU protection	Only for machine with CU
156	1	0L1717	548649100	Marchio adesivo	Sticker	From Ser. Nr.: 147
156	1	0L1718	548649200	Marchio adesivo	Sticker	Zanussi
160	1	0L1280	611634100	Motore	Motor	Alpeninox
161	1	0L1281	835621300	Riduttore	Gearmotor	
162	5	0L1275	547604600	Pattino	Slider	
163	2	0L1471	543631300	Guarnizione	Gasket	
164	2	0L1470	502697402	Squadretta guarnizione	Gasket cover	
165	2	0L1469	503609200	Rondella quadrata	Square washer	
166	2	0L1597	565615200	Guarnizione guida porta	Door guide gasket	

Pos.	Q.tà Q.ty	Cod.ric. Part No.	Cod. Fab. Fac. code	Descrizione	Description	Note Notes
167	1	0L1712	5146A2500	Dado	Nut	
168	2	0L1528	507690700	Scrocco	Spring latch	
171	1	0L1770	830654L01	Cappa aspirazione vapore	Steam suction hood	
172	1	0L1583	805664300	Parzializzatore	Shutter	
173	2	0L1046	507689001	Supporto schienale	Panel support	From Ser. Nr.: 909 Up to Ser. Nr.: 928
173	2	0L2088	805664Q00	Supporto schienale	Panel support	From Ser. Nr.: 929
179	1	049931	590603500	Velcro (H=20 cm, L=63 cm)	Velcro (H=20 cm, L=63 cm)	From Ser. Nr.: 147
180	1	0L2554	569608F00	Foglio protezione inverter	Inverter protection panel	From Ser. Nr.: 147

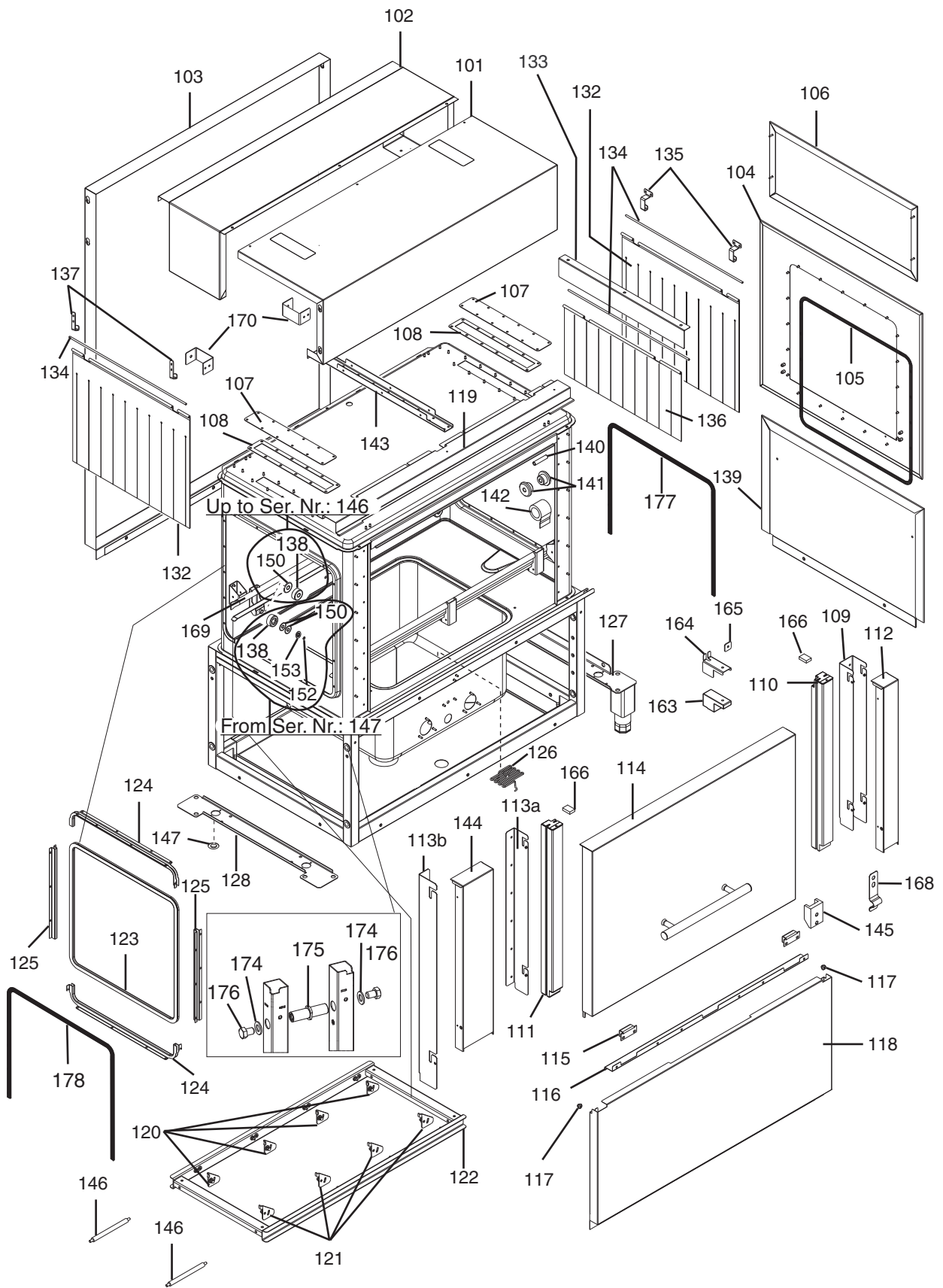


iii. 657001p2

Prelavaggio da 22", vista generale / Prewash from 22", Main view

Prelavaggio da 22", vista generale				ill. 657001p2		Grassetto = variazioni
Prewash from 22", Main view						Bold Print = changes
Pos.	Q.tà Q.ty	Cod.ric. Part No.	Cod. Fab. Fac. code	Descrizione	Description	Note Notes
101	1	0L1493	830652500	Copertura mobile CU	CU mobile cover	Up to Ser. Nr.: 908
101	1	0L2042	830654Z01	Copertura mobile CU	CU mobile cover	From Ser. Nr.: 909
102	1	0L1586	830651900	Copertura fissa CU	CU fixed cover	Up to Ser. Nr.: 908
103	1	0L1522	830653301	Schienale	Back panel	Up to Ser. Nr.: 908
103	1	0L2043	830654X01	Schienale	Back panel	From Ser. Nr.: 909 Up to Ser. Nr.: 146
103	1	0L2541	830657X00	Schienale	Back panel	From Ser. Nr.: 147
104	1	0L0976	830636803	Pannello destro interno	Internal right panel	
104	1	0L1179	830636603	Pannello sinistro interno	Internal left panel	
105	1	0L0875	543629700	Guarnizione	Gasket	
106	1	0L1584	830651401	Fianco copertura CU	CU cover flank	
107	2	0L1172	505600001	Gancio tendina	Curtain hook	
108	1	0L0984	830641003	Pannello	Panel	
109	1	0L1169	830643202	Supporto pannello	Panel support	
110	1	0L0832	830637101	Guida porta destra	Right door rail	
111	1	0L0833	830637201	Guida porta sinistra	Left door rail	
112	1	0L0856	830641103	Pannello stretto	Slim panel	
113a	1	0L1047	830643101	Supporto pannello	Panel support	
113b	1	0L1049	830643001	Supporto pannello	Panel support	
114	1	0L1509	835620801	Porta	Door	Up to Ser: 1450
114	1	0L2462	835621N00	Porta	Door	From Ser: 1451
115	1	0E2898	W00143601	Supporto molla	Spring support	
116	1	0L1491	5046A2201	Paraspruzzi	Splashguard	
117	4	0L0839	549644800	Perno aggancio	Locking stud	
118	1	0L1523	503613201	Pannello inferiore	Lower panel	
119	1	0L1524	503613702	Carter	Carter	
120	3	0L1314	5046A3800	Dente traino destro	Right rack tooth	
121	3	0L1315	5046A3900	Dente traino sinistro	Left rack tooth	
122	1	0L1305	830636905	Slitta	Slide	
123	1	0L0827	543630300	Guarnizione	Gasket	
124	2	0L0992	502697601	Copertura orizzontale guarnizione	Gasket horizontal cover	
125	2	0L0991	502697501	Copertura verticale guarnizione	Gasket vertical cover	
126	1	0L2515	5146A4100	Protezione scarico	Drain screen	From Ser. Nr.: 147
127	1	0L0853	503603601	Piedi telaio	Frame feet	
128	1	0L0854	502696002	Supporto piede	Feet support	
129	2	0L0898	506600400	Gancio tendina	Curtain hook	
130	4	0L1171	503610500	Sostegno tendina	Curtain support	
131	3	0L0873	514699200	Asse tendina	Curtain rod	
132	1	0L1732	541617000	Tendina doppia lunga	Double long curtain	
133	2	0L0887	503605801	Fascia laterale bocca	Inlet lateral cover	
134	3	0E5826	RT0003700	Asse tendina	Curtain rod	
136	1	0L1767	541616900	Tendina doppia corta	Double short curtain	
137	4	0L2443	W00017300	Boccola aggancio slitta	Trail lock device	Up to Ser. Nr.: 146
137	4	0L2520	547604800	Boccola aggancio slitta	Trail lock device	From Ser. Nr.: 147
138	1	0L1765	541617200	Tendina smussata	Rounded curtain	
139	1	0L1719	5026B8D00	Fianco inferiore destro	Right lower flank	From Ser: 1451
140	1	0L0857	515659300	Camicia molla	Coil sleeve	
141	2	0L1170	546631100	Boccola molla	Spring bush	
142	1	0E5167	W00093300	Molla	Spring	
143	2	0L1769	5146A2800	Asse collegamento traino	Drawing connection shaft	
144	1	0L0888	503606400	Tunnel bocca	Inlet tunnel	

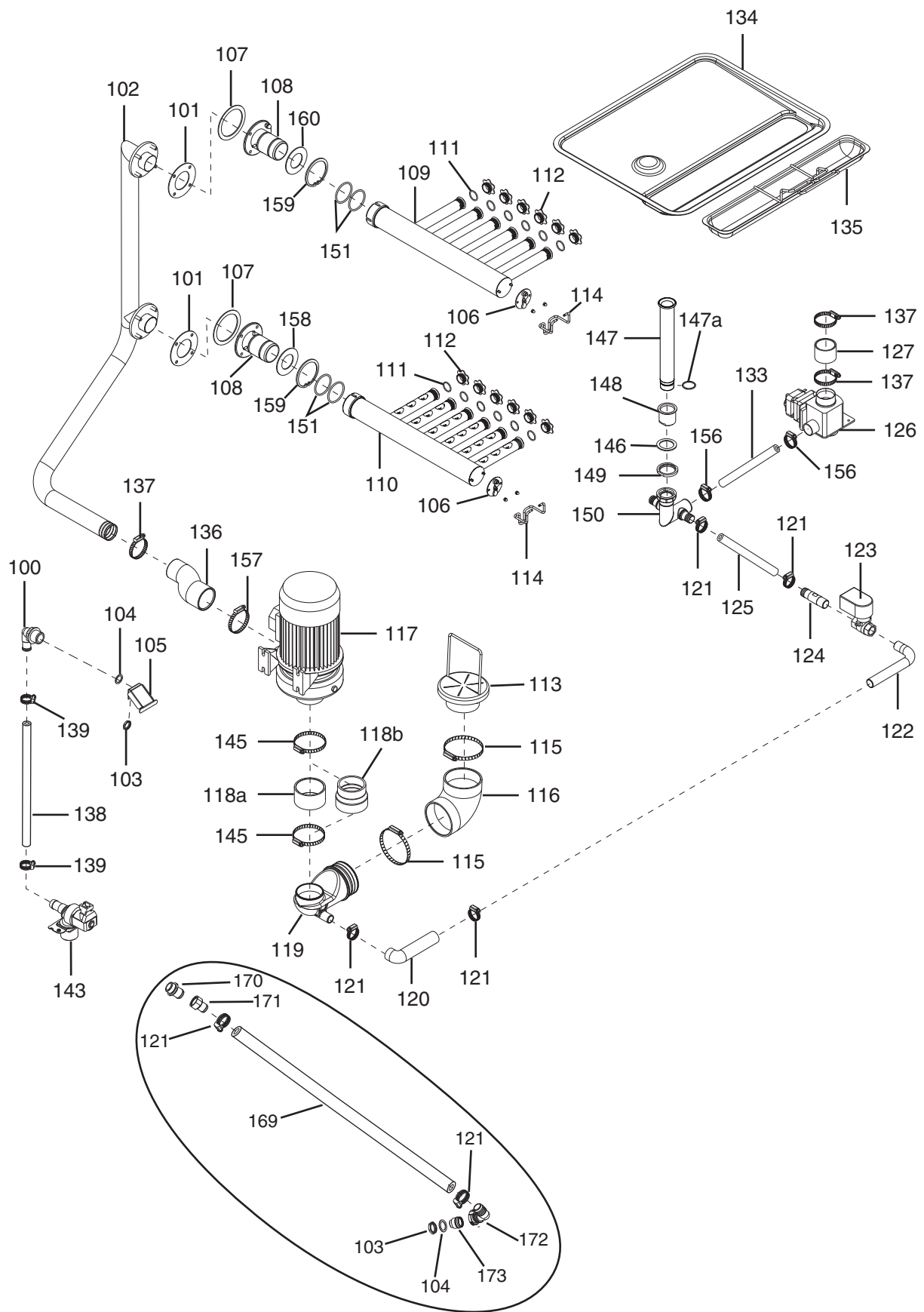
Pos.	Q.tà Q.ty	Cod.ric. Part No.	Cod. Fab. Fac. code	Descrizione	Description	Note Notes
145	1	0L0975	830636701	Pannello destro	Right panel	
146	1	0L0920	543631100	Guarnizione	Gasket	
147	3	0L0993	541612500	Tappo	Plug	
148	2	0L0861	541612801	Fermo porta	Door stop	
149	2	0L1173	502698400	Guida cesto laterale	Lateral rack rail	
150	2	0L1200	502698301	Supporto cesto inferiore	Lower rack support	
151	4	0L2174	549646100	Distanziale	Roller spacer	Up to Ser. Nr.: 146
151	8	0L2174	549646100	Distanziale	Roller spacer	From Ser. Nr.: 147
152	4	0L2522	219614400	Anello di tenuta	Retainer ring	From Ser. Nr.: 147
153	4	0L2521	5066A0R00	Dischetto contenimento rulli	Flanged washer	From Ser. Nr.: 147
163	2	0L1471	543631300	Guarnizione	Gasket	
164	2	0L1470	502697402	Squadretta guarnizione	Gasket cover	
165	2	0L1469	503609200	Rondella quadrata	Square washer	
166	2	0L1597	565615200	Guarnizione guida porta	Door guide gasket	
168	2	0L1528	507690700	Scrocco	Spring latch	
169	2	0L1500	830646401	Guida cesto	Basket guide	Up to Ser. Nr.: 146
169	2	0L2523	830657U00	Guida cesto	Basket guide	From Ser. Nr.: 147
169	2	0L2523	830657U00	Guida cesto	Basket guide	Up to Ser. Nr.: 4501
169	2	0L3351	83065AQ01	Guida cesto	Basket guide	From Ser. Nr.: 4511
169	2	0L3351	83065AQ01	Guida cesto	Basket guide	Up to Ser. Nr.: 5141 Only for RTC180- WTCS180
169	2	0L2523	830657U00	Guida cesto	Basket guide	From Ser. Nr.: 5151 Only for RTC180- WTCS180
169	2	0L2591	835621V00	Kit guida cesto	Basket guide kit	Up to Ser. Nr.: 4501
169	2	0L2591	835621V01	Kit guida cesto	Basket guide kit	From Ser. Nr.: 4511
170	2	0L1046	507689001	Supporto schienale	Panel support	From Ser. Nr.: 909 Up to Ser. Nr.: 928
170	2	0L2088	805664Q00	Supporto schienale	Panel support	From Ser. Nr.: 929
174	8	0L2329	206008195	Rondella 15X28	Washer 15X28	From Ser. Nr.: 020
175	4	0L2324	5146A2401	Distanziale	Spacer	From Ser. Nr.: 020
176	8	0L2328	217018205	Vite M14X20	Screw M14X20	From Ser. Nr.: 020
177	1	0L2167	543633J00	Guarnizione	Gasket	From Ser. Nr.: 020
178	1	0L2311	543633H00	Guarnizione	Gasket	From Ser. Nr.: 020



ill. 657001p3
Prelavaggio da 44", vista generale / Prewash from 44", Main view

Pos.	Q.tà Q.ty	Cod.ric. Part No.	Cod. Fab. Fac. code	Descrizione	Description	Note Notes
101	1	0L1723	830654B00	Copertura mobile CU	CU mobile cover	Up to Ser. Nr.: 908
101	1	0L2041	830654B02	Copertura mobile CU	CU mobile cover	From Ser. Nr.: 909
101	1	0L2041	830654B02	Copertura mobile CU	CU mobile cover	Up to Ser.: 5141
101	1	0LXXXX	83065GC00	Copertura mobile CU	CU mobile cover	From Ser.: 5151
102	1	0L1517	830652000	Copertura fissa CU	CU fixed cover	Up to Ser. Nr.: 908
103	1	0L1721	830654A01	Schienale	Back panel	Up to Ser. Nr.: 908
103	1	0L2040	830654A03	Schienale	Back panel	From Ser. Nr.: 909
						Up to Ser. Nr.: 146
103	1	0L2542	830657Y00	Schienale	Back panel	From Ser. Nr.: 147
104	1	0L0880	830638303	Pannello destro	Right panel	
105	1	0L0875	543629700	Guarnizione	Gasket	
106	1	0L1584	830651401	Fianco copertura CU	CU cover flank	
107	2	0L0877	800667301	Tappo CU	CU plug	
108	2	0L0876	543631001	Guarnizione tappo CU	CU plug gasket	
109	1	0L1169	830643202	Supporto pannello laterale	Panel support	
110	1	0L0832	830637101	Guida porta destra	Right door rail	
111	1	0L0833	830637201	Guida porta sinistra	Left door rail	
112	1	0L0856	830641103	Pannello stretto	Slim panel	
113a	1	0L1047	830643101	Supporto pannello	Panel support	
113b	1	0L1049	830643001	Supporto pannello	Panel support	
114	1	0L1510	835620901	Porta	Door	Up to Ser: 1450
114	1	0L2461	835621F00	Porta	Door	From Ser: 1451
115	2	0E2898	W00143601	Supporto molla	Spring support	
116	1	0L1492	5046A2301	Paraspruzzi	Splashguard	
117	4	0L0839	549644800	Perno aggancio	Locking stud	
118	1	0L0890	503609901	Pannello inferiore	Lower panel	
119	1	0L1520	503613802	Carter	Carter	Up to Ser.: 5141
119	1	0L3562	5046ABB00	Carter	Carter	From Ser.: 5151
120	3	0L1314	5046A3800	Dente traino destro	Right rack tooth	
121	3	0L1315	5046A3900	Dente traino sinistro	Left rack tooth	
122	1	0L1303	830632401	Slitta	Slide	
123	1	0L0827	543630300	Guarnizione	Gasket	
124	2	0L0992	502697601	Copertura orizzontale guarnizione	Gasket horizontal cover	
125	2	0L0991	502697501	Copertura verticale guarnizione	Gasket vertical cover	
126	1	0L2515	5146A4100	Protezione scarico	Drain screen	From Ser. Nr.: 147
127	1	0L0853	503603601	Piedi telaio	Frame feet	
128	1	0L0854	502696002	Supporto piede	Feet support	
132	2	0L1732	541617000	Tendina doppia lunga	Double long curtain	
133	2	0L0852	800667800	Sostegno tendina singola corta	Single short curtain support	
134	2	0E5826	RT0003700	Asse tendina	Curtain rod	
135	2	0L1172	505600001	Gancio tendina	Curtain hook	
136	1	0L1733	541617100	Tendina singola corta	Single short curtain	
137	2	0L1171	503610500	Gancio tendina	Curtain hook	
138	6	0L2443	W00017300	Boccola aggancio slitta	Trail lock device	Up to Ser. Nr.: 146
138	6	0L2520	547604800	Boccola aggancio slitta	Trail lock device	From Ser. Nr.: 147
139	1	0L1719	5026B8D00	Fianco inferiore destro	Right lower flank	From Ser: 1451
140	2	0L0857	515659300	Camicia molla	Coil sleeve	

Pos.	Q.tà Q.ty	Cod.ric. Part No.	Cod. Fab. Fac. code	Descrizione	Description	Note Notes
141	4	0L1170	546631100	Boccola molla	Spring bush	
142	2	0E5167	W00093300	Molla	Spring	
143	1	0L0867	503607302	Rinforzo CU	CU reinforcement	
144	1	0L0984	830641003	Pannello	Panel	
145	2	0L0861	541612801	Fermo porta	Door stop	
146	2	0L0841	514695200	Asse collegamento traino	Drawing connection shaft	
147	3	0L0993	541612500	Tappo	Plug	
150	6	0L2174	549646100	Distanziale	Roller spacer	Up to Ser. Nr.: 146
150	12	0L2174	549646100	Distanziale	Roller spacer	From Ser. Nr.: 147
152	6	0L2522	219614400	Anello di tenuta	Retainer ring	From Ser. Nr.: 147
153	6	0L2521	5066A0R00	Dischetto contenimento rulli	Flanged washer	From Ser. Nr.: 147
163	2	0L1471	543631300	Guarnizione	Gasket	
164	2	0L1470	502697402	Squadretta guarnizione	Gasket cover	
165	2	0L1469	503609200	Rondella quadrata	Square washer	
166	2	0L1597	565615200	Guarnizione guida porta	Door guide gasket	
168	2	0L1528	507690700	Scrocco	Spring latch	
169	2	0L1505	830646701	Guida cesto	Basket guide	Up to Ser. Nr.: 146
169	2	0L2590	835621U00	Kit guida cesto	Basket guide kit	From Ser. Nr.: 147
170	2	0L1046	507689001	Supporto schienale	Panel support	From Ser. Nr.: 909 Up to Ser. Nr.: 928
170	2	0L2088	805664Q00	Supporto schienale	Panel support	From Ser. Nr.: 929
174	8	0L2329	206008195	Rondella 15X28	Washer 15X28	From Ser. Nr.: 020
175	4	0L2324	5146A2401	Distanziale	Spacer	From Ser. Nr.: 020
176	8	0L2328	217018205	Vite M14X20	Screw M14X20	From Ser. Nr.: 020
177	1	0L2167	543633J00	Guarnizione	Gasket	From Ser. Nr.: 020
178	1	0L2311	543633H00	Guarnizione	Gasket	From Ser. Nr.: 020

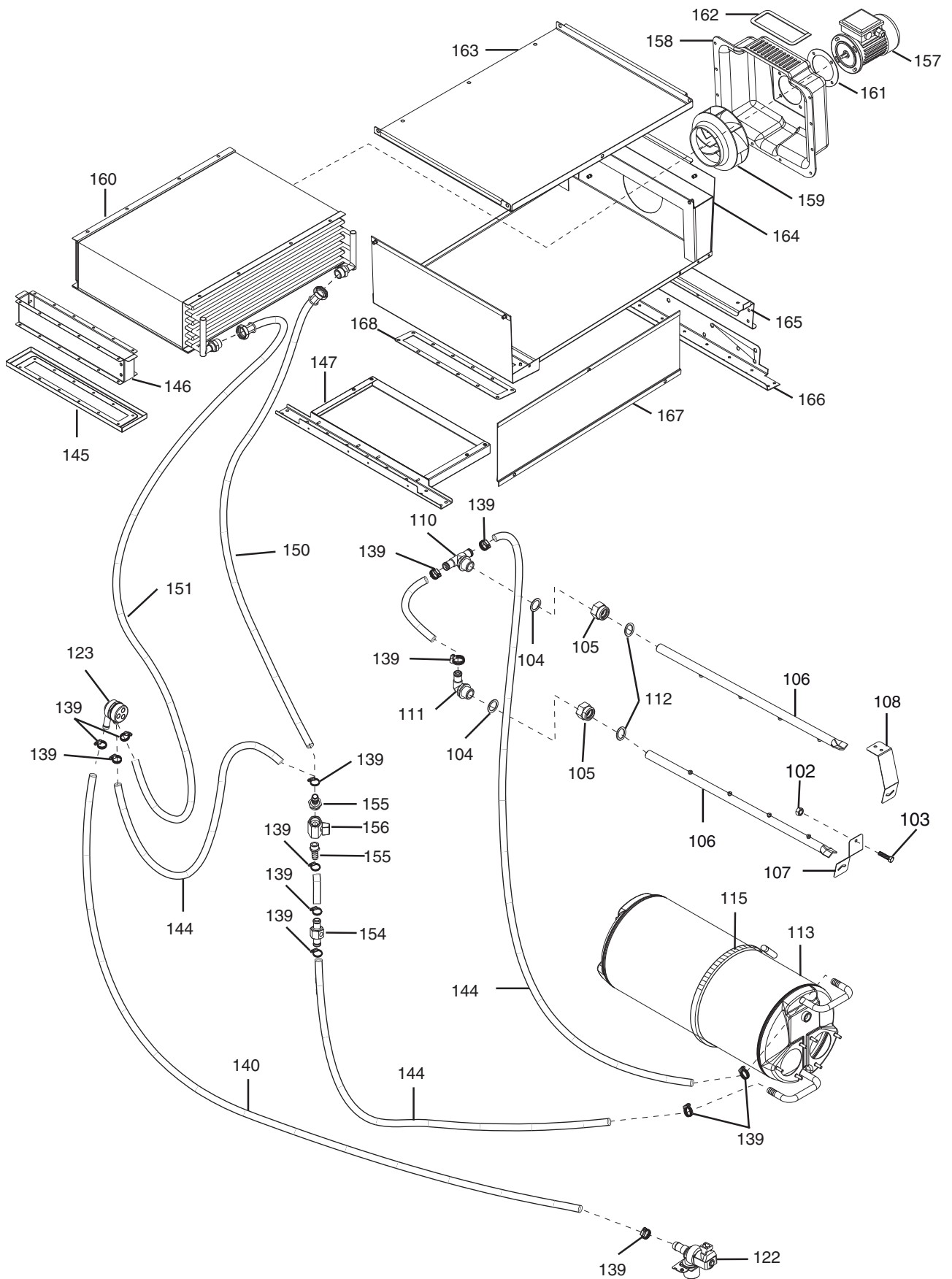


ill. 657001p4

Lavaggio+Risciacquo da 44", Circuito Idrraulico lavaggio/Wash+Rinse from 44", Wash hydraulic circuit

Lavaggio + Risciacquo da 44", Circuito Idraulico lavaggio				iii. 657001p4	Grassetto = variazioni	
Wash + Rinse from 44", Wash hydraulic circuit					Bold Print = changes	
Pos.	Q.tà Q.ty	Cod.ric. Part No.	Cod. Fab. Fac. code	Descrizione	Description	Note Notes
100	1	0L0653	511619900	Raccordo a gomito	Elbow fitting	
101	2	0L0919	543629400	Guarnizione	Gasket	
102	1	0L1187	830632603	Tubo lavaggio	Wash pipe	
103	1	0E5424	W00525400	Dado 1/2" G	Nut 1/2" G	
104	1	0E5122	W00500800	Guarnizione	Gasket	Up to Ser.Nr.: 045
104	1	0L2402	569608800	Guarnizione	Gasket	From Ser.Nr.: 046
105	1	0E5848	RT0011900	Paraspruzzi ingresso	Inlet splashguard	
106	2	0L1370	800669401	Coperchio aggancio bracci	Arms coupling cover	
107	2	0L0923	543632400	O-ring 65.09x3.53	O-ring 65.09x3.53	
108	2	0L1188	830633101	Innesto bracci lavaggio	Wash arms fitting	
109	1	0L1709	830654600	Braccio lavaggio	Washing arm	Right machine
109	1	0L1710	830654700	Braccio lavaggio	Washing arm	Left machine
110	1	0L1710	830654700	Braccio lavaggio	Washing arm	Left machine
110	1	0L1709	830654600	Braccio lavaggio	Washing arm	Right machine
111	12	0L0922	543632300	O-ring 26,65x2,62	O-ring 26,65x2,62	
112	12	0L1711	541617400	Tappo	Plug	
113	1	0L0951	800666601	Filtro aspirazione	Suction filter	
114	2	0L0905	514697101	Aggancio bracci	Arms lock	Up to Ser. Nr.: 928
114	2	0L2087	5146A2100	Aggancio bracci	Arms lock	From Ser. Nr.: 929
115	2	0L0915	518682700	Fascetta 100-120	Clamp 100-120	
116	1	0L0930	544635700	Manicotto aspirazione pompa	Pump suction hose	
117	1	0L1735	611636900	Pompa	Pump	140/250 b/h
117	1	0L1234	611631100	Pompa	Pump	90/180 b/h
118a	1	0L1734	544685900	Manicotto aspirazione	Suction hose	140/250 b/h
118b	1	0L1354	544639800	Manicotto aspirazione	Suction hose	90/180 b/h
119	1	0L0928	544635200	Collettore aspirazione	Suction manifold	
120	1	049880	544631300	Manicotto aspirazione	Suction hose	
121	4	047578	518604001	Fascetta 25-40	Clamp 25-40	
122	1	0L0910	515660200	Tubo a gomito	Elbow pipe	
123	1	0L1199	696617800	Elettrovalvola	Solenoid valve	
124	1	0L0912	515660400	Tubo 26.9X2	Pipe 26.9X2	
125		049287	140066043	Tubo 25.5X3.75	Pipe 25.5X3.75	
126	1	0L2506	696618600	Elettrovalvola di scarico	Drain solenoid valve	
127	1	0L0934	544639900	Manicotto scarico vasca	Tank drain hose	
130	1	0E5424	W00525400	Dado 1/2"	Nut 1/2"	
133	1	0L0939	544683100	Tubo 40x5	Hose 40x5	
134	1	0L0892	504694300	Filtro vasca	Tank filter	
135	1	0L0973	830634900	Filtro a cestello	Basket filter	
136	1	0L0936	544640100	Manicotto mandata	Delivery hose	140/250 b/h
136	1	0L1267	544683300	Manicotto mandata	Delivery hose	90/180 b/h
137	2	046855	518602801	Fascetta 50-70	Clamp 50-70	
138	1	048531	140066039	Tubo 12x19.5 mm	Hose 12x19.5 mm	Up to Ser. Nr.: 045
138	2m	049379	140066047	Tubo 12x19.5 mm	Hose 12x19.5 mm	From Ser. Nr.: 046
139	2	048126	518609801	Fascetta 12-22/9	Clamp 12-22/9	
143	1	0L1198	696617400	Elettrovalvola	Solenoid valve	Up to Ser.Nr.: 019
143	1	0L2327	696618400	Elettrovalvola	Solenoid valve	From Ser.Nr.: 020
145	2	0L0914	518682600	Fascetta 80-100	Clamp 80-100	
146	1	065506	246037900	O-ring 42.86x3.53	O-ring 42.86x3.53	

Pos.	Q.tà Q.ty	Cod.ric. Part No.	Cod. Fab. Fac. code	Descrizione	Description	Note Notes
147	1	0L1430	515657801	Troppopieno	Overflow	Up to S. Nr. 019
147	1	0L2295	830657300	Troppopieno + o-ring	Overflow + o-ring	From Ser. Nr.: 020
147a	1	0L2359	543634100	O-ring per troppopieno	O-ring for overflow	
148	1	075624	511607200	Piletta di scarico	Drain	
149	1	066079	215190400	Dado 1 1/2"	Nut 1 1/2"	
150	1	0L0953	805659801	Collettore scarico lavaggio	Wash drain manifold	
151	4	0L1276	543633200	O-ring 0500-30 50X3	O-ring 0500-30 50X3	
156	2	0L0193	518614400	Fascetta 40-60	Clamp 40-60	
157	1	046853	518602901	Fascetta 60-80	Clamp 60-80	
158	1	0L1216	503614500	Parzializzatore	Shutter	90/180 b/h
158	1	0L1754	5026B0E00	Parzializzatore	Shutter	140/250 b/h
159	2	0L1189	219065212	Anello 52 UNI 7437	Ring 52 UNI 7437	
160	1	0L1185	5026A3000	Parzializzatore	Shutter	140/250 b/h
169	0.8 mt	0L2426	140600300	Tubo 20x3	Hose 20x3	Only for 90 and 140 From Ser. Nr.: 046
169	1.4 mt	0L2426	140600300	Tubo 20x3	Hose 20x3	Only for 180 From Ser. Nr.: 046
169	1.7 mt	0L2426	140600300	Tubo 20x3	Hose 20x3	Only for 250 From Ser. Nr.: 046
170	1	0L2423	5146A3B00	Portagomma G 1/2" M	Hose holder G 1/2" M	From Ser. Nr.: 046
171	1	0L2424	5146A3C00	Portagomma G 1/2" F	Hose holder G 1/2" F	From Ser. Nr.: 046
172	1	0L0918	541613400	Raccordo a gomito	Elbow fitting	From Ser. Nr.: 046
173	1	0L2425	5146A0100	Raccordo	Fitting	From Ser. Nr.: 046

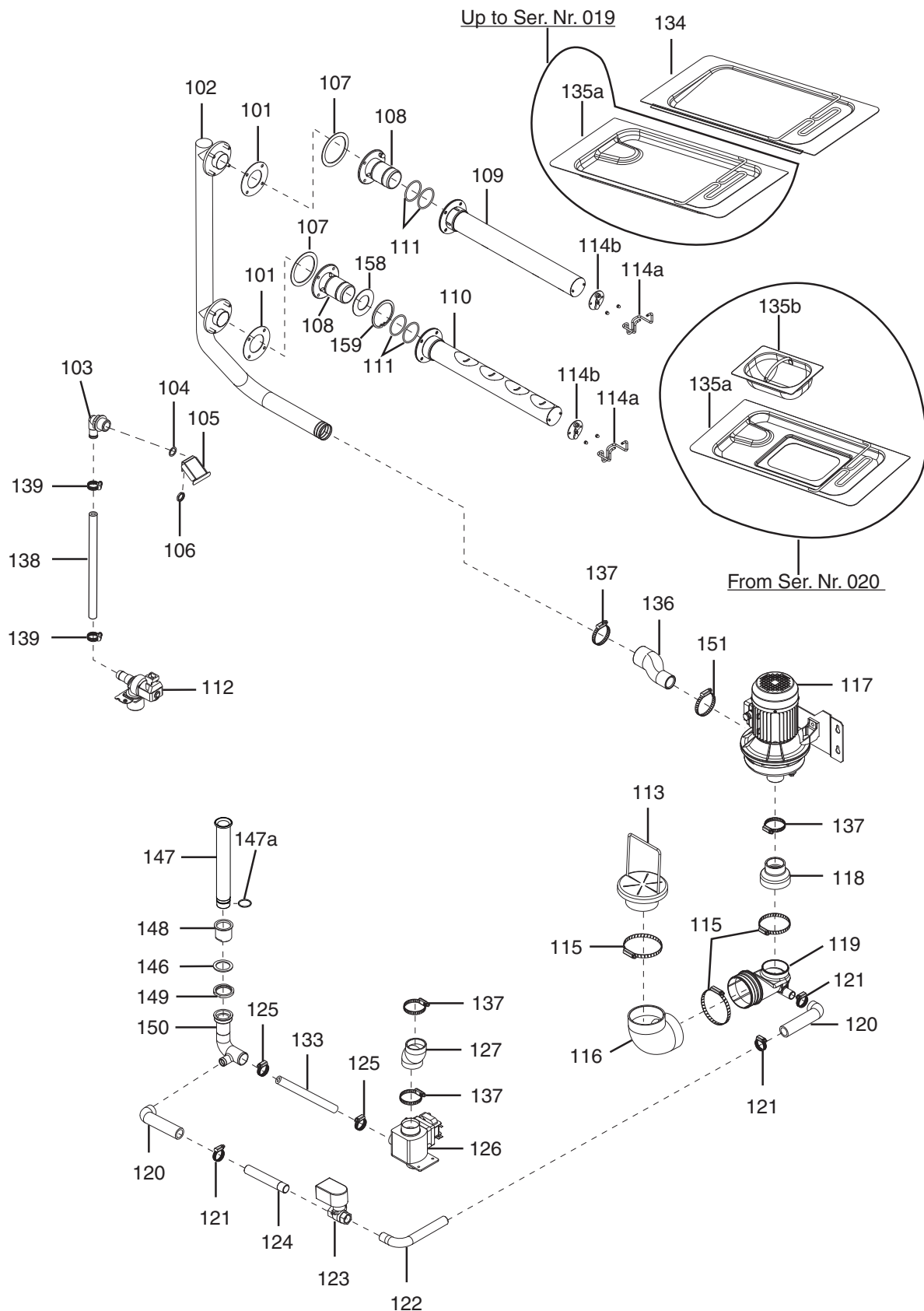


ill. 657001p5

Lavaggio+Risciacquo da 44" , Circuito Idraulico a pressione risciacquo/ Wash+Rinse from 44" , Rinse pressure hydraulic circuit

Pos.	Q.tà Q.ty	Cod.ric. Part No.	Cod. Fab. Fac. code	Descrizione	Description	Note Notes
102	1	0TH077	218574005	Dado M6	Nut M6	From Ser. Nr.: 147
103	1	0L2413	217014145	Vite M6X16mm	Bolt M6X16mm	From Ser. Nr.: 147
104	2	0E5122	W00500800	Guarnizione	Gasket	Up to Ser.Nr.: 045
104	2	0L2402	569608800	Guarnizione	Gasket	From Ser.Nr.: 046
105	2	0L0907	514698201	Dado bracci risciacquo	Rinse arms nut	
106	2	0L1467	830650900	Braccio risciacquo (5 lt/ min)	Rinse arm (5 lt/ min)	For RTC250/WTC250 Up to Ser. Nr.: 146
106	2	0L2631	830657N00	Braccio risciacquo (5 lt/ min)	Rinse arm (5 lt/ min)	For RTC250/WTC250 From Ser. Nr.: 147
106	2	0L1468	830651100	Braccio risciacquo (4 lt/ min)	Rinse arm (4 lt/ min)	Not for RTC250/WTC250 Up to Ser. Nr.: 146
106	2	0L2529	830657M00	Braccio risciacquo (4 lt/ min)	Rinse arm (4 lt/ min)	Not for RTC250/WTC250 From Ser. Nr.: 147
107	1	0L1463	5056A0800	Molla inferiore risciacquo	Rinse lower spring	Up to Ser. Nr.: 146
107	1	0L2518	5056A1J00	Molla inferiore risciacquo	Rinse lower spring	From Ser. Nr.: 147
108	1	0L1462	5056A0700	Molla superiore risciacquo	Rinse upper spring	Up to Ser. Nr.: 146
108	1	0L2517	5056A1H00	Molla superiore risciacquo	Rinse upper spring	From Ser. Nr.: 147
110	1	0L0652	511619800	Raccordo a "T"	"T" fitting	
111	1	0L0653	511619900	Raccordo a "L"	"L" fitting	
112	2	0E5118	W00524500	O-ring 17.3 x 2.4	O-ring 17.3 x 2.4	
113	1	0L1766	850662G00	Boiler	Boiler	Up to Ser.Nr.: 851
113	1	0L1959	850663500	Boiler	Boiler	From Ser.Nr.: 852 Up to Ser.Nr.: 021 Not for Middle East
113	1	0L1766	850662G01	Boiler	Boiler	From Ser.Nr.: 022 Not for Middle East
113	1	0L1983	850663L01	Boiler	Boiler	For Middle East
115	1	0L2551	518684F00	Fascetta 200-220/12 Inox	Clamp 200-220/12	Inox/ Stainless Steel
122	1	0L1198	696617400	Elettrovalvola	Solenoid valve	Up to Ser.Nr.: 019
122	1	0L2327	696618400	Elettrovalvola	Solenoid valve	From Ser.Nr.: 020
123	1	049332	544625400	Valvola DVGW	DVGW valve	Up to Ser.Nr.: 835
123	1	0L1892	544685800	Valvola DVGW	DVGW valve	From Ser.Nr.: 836
139	14	048126	518609801	Fascetta 12-22/9	Clamp 12-22/9	
140	1	048531	140066039	Tubo 12x19.5 mm	Hose 12x19.5 mm	Up to Ser. Nr.: 045
140	2m	049379	140066047	Tubo 12x19.5 mm	Hose 12x19.5 mm	From Ser. Nr.: 046
144	4m	048531	140066039	Tubo 12x19.5 mm	Hose 12x19.5 mm	
145	1	0L1727	5046A6B00	Vaschetta CU lato aspirazione	CU tray suction side	Up to Ser.: 5141
146	1	0L1729	830654H00	Convogliatore aspirazione CU	CU suction manifold	Up to Ser.: 5141
147	1	0L1728	800672400	Vaschetta CU lato ventola	CU tray fan side	Up to Ser.: 5141
150	1	0L0988	830642900	Tubo scarico CU	CU drain hose	
151	1	0L0987	830642800	Tubo alimentazione CU	CU feeding hose	
154	1	0E3080	W00502600	Raccordo	Fitting	
155	2	0L0040	514692200	Portagomma 1/2"	Hose holder 1/2"	
156	1	0L1351	514600200	Rubinetto	Gate valve	
157	1	0L0946	611630400	Motore ventola CU	CU fan motor	
158	1	0L0952	800668202	Supporto motore	Motor support	Up to Ser.: 5141
158	1	0L3569	541618H00	Supporto motore	Motor support	From Ser.: 5151
159	1	0L0941	549644900	Ventola CU	CU fan	
160	1	0L1730	511620800	Scambiatore aria-acqua	Water-air heat exchanger	Up to Ser.: 5141

Pos.	Q.tà Q.ty	Cod.ric. Part No.	Cod. Fab. Fac. code	Descrizione	Description	Note Notes
160	1	0L3573	511621200	Scambiatore aria-acqua	Water-air heat exchanger	From Ser.: 5151
161	1	0L3570	543635S00	Guarnizione motore CU	CU motor gasket	From Ser.: 5151
162	1	0L0689	140036014	Guarnizione copertura CU	CU cover gasket	From Ser.: 5151
163	1	0L3560	5046AB901	Coperchio CU	CU cover	From Ser.: 5151
164	1	0L3566	86065D600	Supporto CU	CU support	From Ser.: 5151
165	1	0L3567	83065D800	Supporto base CU	Bracket for CU support	From Ser.: 5151
166	1	0L3568	83065D901	Traverso di sostegno per CU	Support for CU bracket	From Ser.: 5151
167	1	0L3561	83065DD01	Copertura posteriore CU	Back CU cover	From Ser.: 5151
168	1	0L0876	543631001	Guarnizione CU	CU gasket	From Ser.: 5151

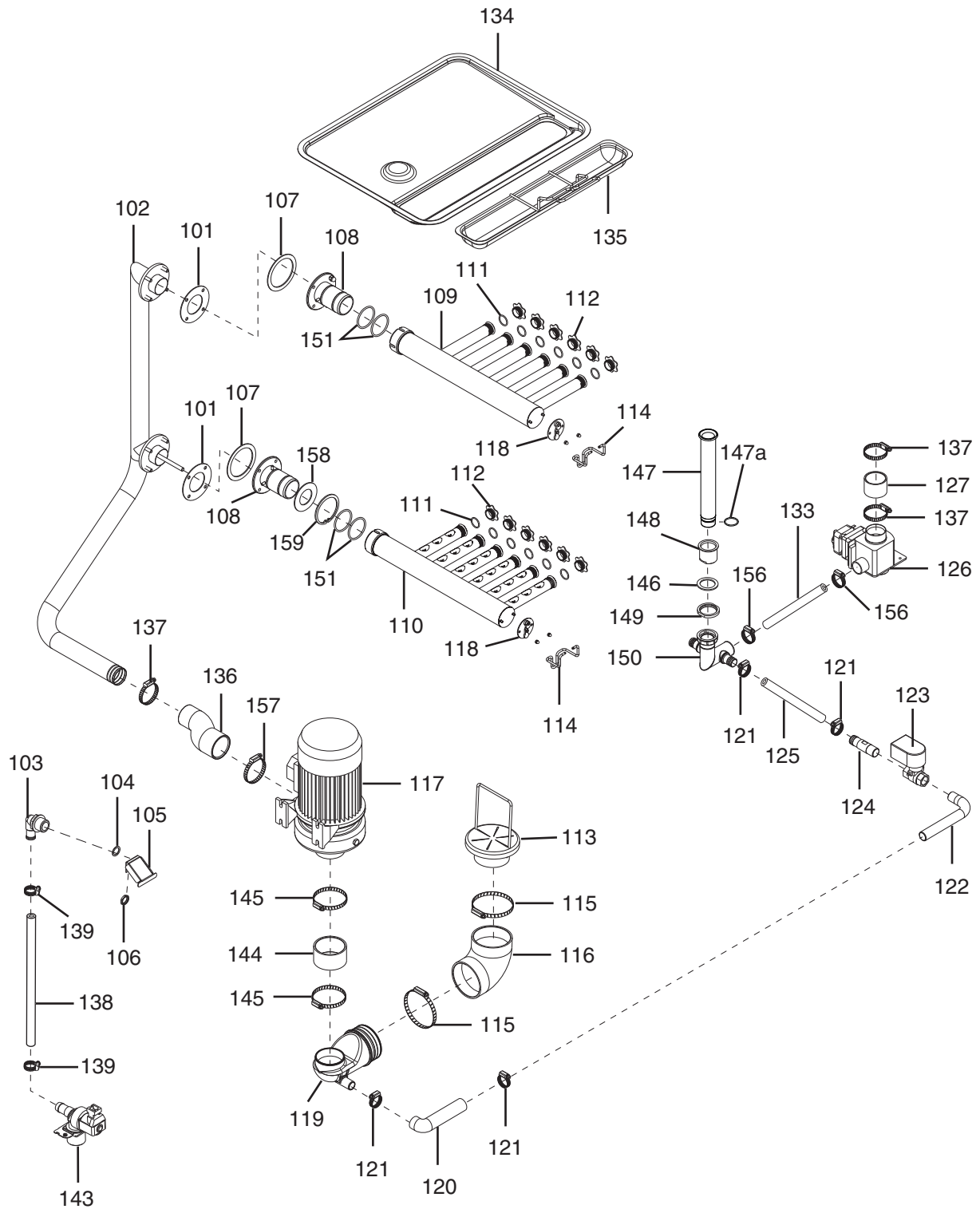


iii. 657001p6

Prelavaggio da 22", Circuito Idraulico/ Prewash from 22", Hydraulic circuit

Pos.	Q.tà Q.ty	Cod.ric. Part No.	Cod. Fab. Fac. code	Descrizione	Description	Note Notes
101	2	OL0919	543629400	Guarnizione	Gasket	
102	1	OL1186	830632703	Tubo prelavaggio	Upper prewash pipe	
103	1	OL0653	511619900	Raccordo a gomito	Elbow fitting	
104	1	0E5122	W00500800	Guarnizione	Gasket	Up to Ser.Nr.: 045
104	1	OL2402	569608800	Guarnizione	Gasket	From Ser.Nr.: 046
105	1	0E5848	RT0011900	Paraspruzzi ingresso	Inlet splashguard	
106	1	0E5424	W00525400	Dado 1/2" G	Nut 1/2" G	
107	2	OL0923	543632400	O-ring 65.09x3.53	O-ring 65.09x3.53	
108	2	OL1188	830633101	Innesto bracci prelavaggio	Prewash arms fitting	
109	1	OL0974	830635702	Braccio prelavaggio superiore	Upper prewashing arm	Up to Ser:5051
109	1	OL3471	83065FS00	Braccio prelavaggio superiore	Upper prewashing arm	From Ser:5061
110	1	OL0985	830641302	Braccio prelavaggio inferiore	Lower prewashing arm	Up to Ser:5051
110	1	OL3472	83065FV00	Braccio prelavaggio inferiore	Lower prewashing arm	From Ser:5061
111	4	OL1276	543633200	O-ring 0500-30 50X3	O-ring 0500-30 50X3	
112	1	OL1198	696617400	Elettrovalvola	Solenoid valve	Up to Ser.Nr.: 019
112	1	OL2327	696618400	Elettrovalvola	Solenoid valve	From Ser.Nr.: 020
113	1	OL0951	800666601	Filtro aspirazione	Suction filter	
114a	2	OL0905	514697101	Aggancio bracci	Arms lock	Up to Ser. Nr.: 928
114a	2	OL2087	5146A2100	Aggancio bracci	Arms lock	From Ser. Nr.: 929
114b	2	OL1370	800669401	Coperchio aggancio bracci	Arms coupling cover	
115	3	OL0915	518682700	Fascetta 100-120	Clamp 100-120	
116	1	OL0930	544635700	Manicotto aspirazione pompa	Pump suction hose	
117	1	OL1195	611631200	Pompa	Pump	
118	1	OL1355	544683600	Manicotto aspirazione	Suction hose	
119	1	OL1551	544635100	Collettore aspirazione	Suction manifold	
120	2	049880	544631300	Manicotto aspirazione	Suction hose	
121	2	047578	518604001	Fascetta 25-40	Clamp 25-40	
122	1	OL0910	515660200	Tubo a gomito	Elbow pipe	
123	1	OL1199	696617800	Elettrovalvola	Solenoid valve	
124	1	OL0911	515660300	Tubo 26.9X2	Pipe 26.9X2	
125	2	OL0193	518614400	Fascetta 40-60	Clamp 40-60	
126	1	OL2506	696618600	Elettrovalvola di scarico	Drain solenoid valve	
127	1	OL0935	544640000	Manicotto scarico vasca	Tank drain hose	
133	1	OL0939	544683100	Tubo 40x5	Hose 40x5	
134	1	OL1167	830643401	Filtro inclinato vasca	Tank inclined filter	
135a	1	OL1166	830643300	Filtro piano vasca	Tank flat filter	Up to Ser. Nr.: 019
135a	1	OL2290	830656100	Filtro piano vasca	Tank flat filter	From Ser. Nr.: 020
135b	1	048252	830617602	Filtro cestello	Basket filter	From Ser. Nr.: 020
136	1	OL1268	544683500	Manicotto mandata	Delivery hose	
137	4	046855	518602801	Fascetta 50-70	Clamp 50-70	
138	1	048531	140066039	Tubo 12x19.5 mm	Hose 12x19.5 mm	Up to Ser. Nr.: 045
138	2m	049379	140066047	Tubo 12x19.5 mm	Hose 12x19.5 mm	From Ser. Nr.: 046
139	2	048126	518609801	Fascetta 12-22	Clamp 12-22	
146	1	065506	246037900	O-ring 42.86x3.53	O-ring 42.86x3.53	

Pos.	Q.tà Q.ty	Cod.ric. Part No.	Cod. Fab. Fac. code	Descrizione	Description	Note Notes
147	1	0L1431	515657902	Troppopieno	Overflow	Up to S. Nr. 019
147	1	0L2296	830657400	Troppopieno	Overflow	From S. Nr. 020
147a	1	0L2359	543634100	O-ring per troppopieno	O-ring for overflow	
148	1	075624	511607200	Piletta di scarico	Drain	
149	1	066079	215190400	Dado 1 1/2"	Nut 1 1/2"	
150	1	0L0954	805659902	Collettore scarico prelavaggio	Prewash drain manifold	
151	1	046878	518602701	Fascetta 35-50	Clamp 35-50	
158	1	0L1184	5026A3100	Parzializzatore	Shutter	
159	1	0L1189	215065212	Anello 52 UNI 7437	Ring 52 UNI 7437	

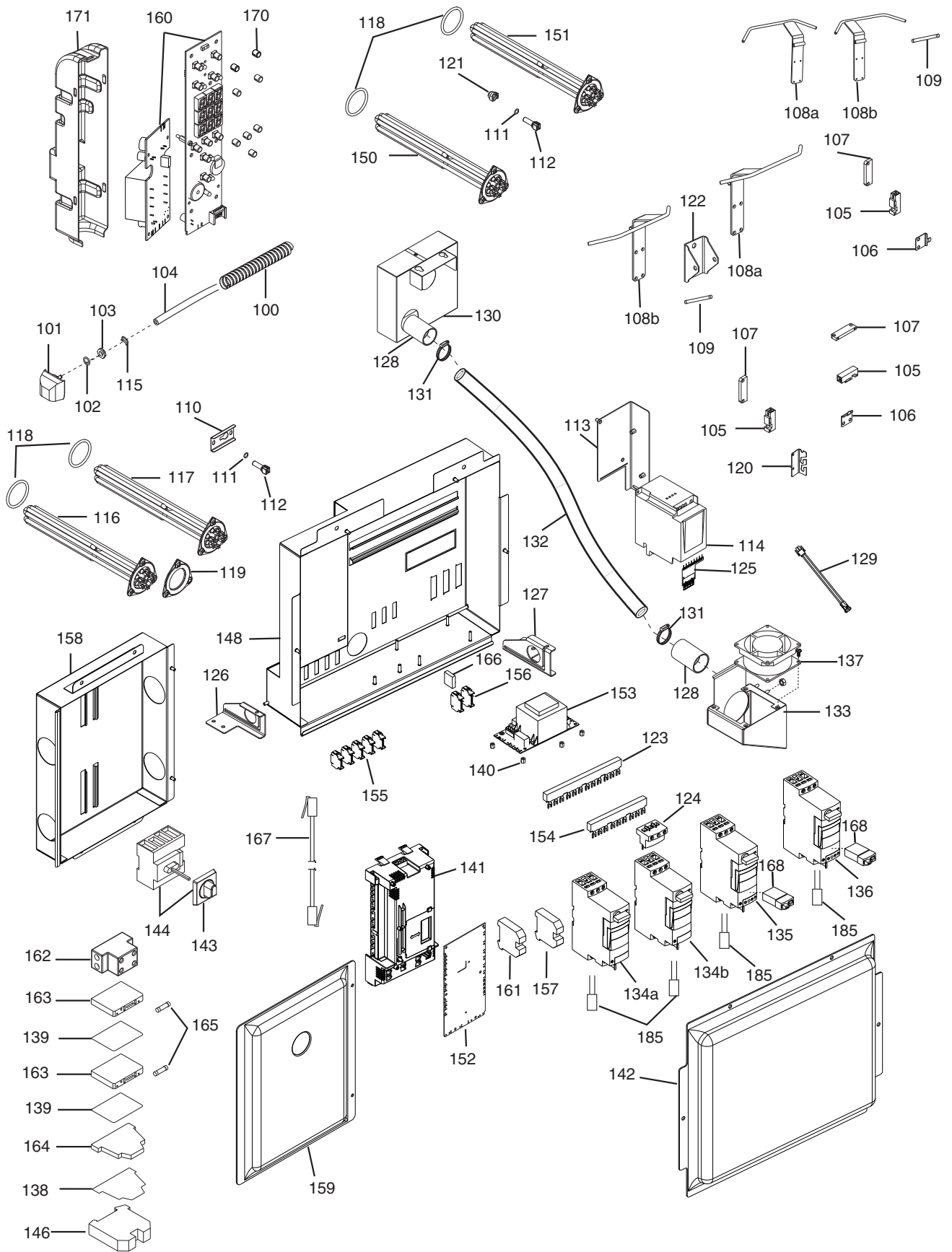


ill. 657001p7

Prelavaggio da 44", Circuito Idraulico/ Prewash from 44", Hydraulic circuit

Pos.	Q.tà Q.ty	Cod.ric. Part No.	Cod. Fab. Fac. code	Descrizione	Description	Note Notes
101	2	0L0919	543629400	Guarnizione	Gasket	
102	1	0L1107	830632603	Tubo prelavaggio	Prewash pipe	
103	1	0L0653	511619900	Raccordo a gomito	Elbow fitting	
104	1	0E5122	W00500800	Guarnizione	Gasket	Up to Ser.Nr.: 045
104	1	0L2402	569608800	Guarnizione	Gasket	From Ser.Nr.: 046
105	1	0E5848	RT0011900	Paraspruzzi ingresso	Inlet splashguard	
106	1	0E5424	W00525400	Dado 1/2" G	Nut 1/2" G	
107	2	0L0923	543632400	O-ring 65.09x3.53	O-ring 65.09x3.53	
108	2	0L1188	830633101	Innesto bracci prelavaggio	Prewash arms fitting	
109	1	0L1709	830654600	Braccio lavaggio superiore	Upper washing arm	Right machine Up to Ser:5051
109	1	0L1709	830654600	Braccio lavaggio inferiore	Lower washing arm	Left machine Up to Ser:5051
109	1	0L3473	83065FW00	Braccio lavaggio superiore	Upper washing arm	Right machine From Ser:5061
109	1	0L3473	83065FW00	Braccio lavaggio inferiore	Lower washing arm	Left machine From Ser:5061
110	1	0L1710	830654700	Braccio lavaggio superiore	Upper washing arm	Left machine Up to Ser:5051
110	1	0L1710	830654700	Braccio lavaggio inferiore	Lower washing arm	Right machine Up to Ser:5051
110	1	0L3474	83065FX00	Braccio lavaggio superiore	Upper washing arm	Left machine From Ser:5061
110	1	0L3474	83065FX00	Braccio lavaggio inferiore	Lower washing arm	Right machine From Ser:5061
111	12	0L0922	543632300	O-ring 26,65x2,62	O-ring 26,65x2,62	
112	12	0L1711	541617400	Tappo	Plug	
113	1	0L0951	800666601	Filtro aspirazione	Suction filter	
114	2	0L0905	514697101	Aggancio bracci	Arms lock	Up to Ser. Nr.: 928
114	2	0L2087	5146A2100	Aggancio bracci	Arms lock	From Ser. Nr.: 929
115	2	0L0915	518682700	Fascetta 100-120	Clamp 100-120	
116	1	0L0930	544635700	Manicotto aspirazione pompa	Pump suction hose	
117	1	0L1234	611631100	Pompa	Pump	
118	2	0L1370	800669401	Coperchio aggancio bracci	Arms coupling cover	
119	1	0L0928	544635200	Collettore aspirazione	Suction manifold	
120	1	049880	544631300	Manicotto aspirazione	Suction hose	
121	4	047578	518604001	Fascetta 25-40	Clamp 25-40	
122	1	0L0910	515660200	Tubo a gomito	Elbow pipe	
123	1	0L1199	696617800	Elettrovalvola	Solenoid valve	
124	1	0L0912	515660400	Tubo 26.9X2	Pipe 26.9X2	
125		049287	140066043	Tubo 25.5X3.75	Pipe 25.5X3.75	
126	1	0L2506	696618600	Elettrovalvola di scarico	Drain solenoid valve	
127	1	0L0934	544639900	Manicotto scarico vasca	Tank drain hose	
133	1	0L0939	544683100	Tubo 40x5	Hose 40x5	
134	1	0L0892	504694300	Filtro vasca	Tank filter	
135	1	0L0973	830634900	Filtro a cestello	Basket filter	

Pos.	Q.tà Q.ty	Cod.ric. Part No.	Cod. Fab. Fac. code	Descrizione	Description	Note Notes
136	1	0L1267	544683300	Manicotto mandata	Delivery hose	
137	3	046855	518602801	Fascetta 50-70	Clamp 50-70	
138	1	048531	140066039	Tubo 12x19.5 mm	Hose 12x19.5 mm	Up to Ser. Nr.: 045
138	2m	049379	140066047	Tubo 12x19.5 mm	Hose 12x19.5 mm	From Ser. Nr.: 046
139	2	048126	518609801	Fascetta 12-22	Clamp 12-22	
143	1	0L1198	696617400	Elettrovalvola	Solenoid valve	Up to Ser.Nr.: 019
143	1	0L2327	696618400	Elettrovalvola	Solenoid valve	From Ser.Nr.: 020
144	1	0L1354	544639800	Manicotto aspirazione	Suction hose	
145	2	0L0914	518682600	Fascetta 80-100	Clamp 80-100	
146	1	065506	246037900	O-ring 42.86x3.53	O-ring 42.86x3.53	
147	1	0L1430	515657801	Troppopieno	Overflow	Up to S. Nr. 019
147	1	0L2295	830657300	Troppopieno + o-ring	Overflow + o-ring	From Ser. Nr.: 020
147a	1	0L2359	543634100	O-ring per troppopieno	O-ring for overflow	
148	1	075624	511607200	Piletta di scarico	Drain	
149	1	066079	215190400	Dado 1 1/2"	Nut 1 1/2"	
150	1	0L0953	805659801	Collettore scarco prelavaggio	Prewash drain manifold	
151	4	0L1276	543633200	O-ring 0500-30 50X3	O-ring 0500-30 50X3	
156	2	0L0193	518614400	Fascetta 40-60	Clamp 40-60	
157	1	046853	518602901	Fascetta 60-80	Clamp 60-80	
158	1	0L1216	503614500	Parzializzatore	Shutter	
159	1	0L1189	215065212	Anello 52 UNI 7437	Ring 52 UNI 7437	



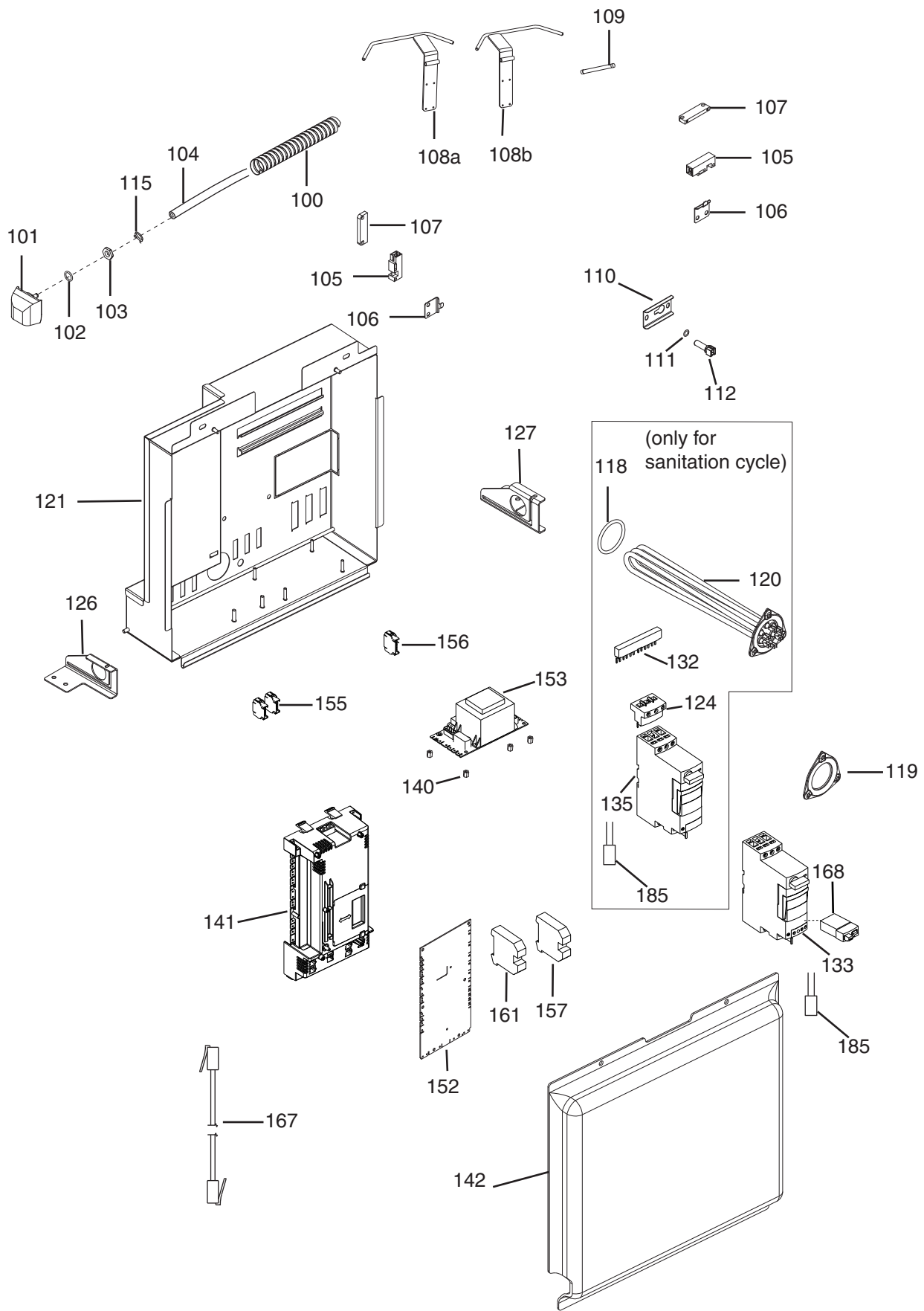
iii. 657001p8

Lavaggio+Risciacquo da 44", Componenti elettrici/ Wash+Rinse from 44", Electrical components

Lavaggio+Risciacquo da 44", Componenti elettrici				ill. 657001p8	Grassetto = variazioni	
Wash+Rinse from 44", Electrical components					Bold Print = changes	
Pos.	Q.tà Q.ty	Cod.ric. Part No.	Cod. Fab. Fac. code	Descrizione	Description	Note Notes
100	1	0L1948	W00050701	Guaina a spirale	Protection cable	
101	1	048308	542604901	Trappola d'aria	Air trap	
102	1	068642	246035800	O-ring	O-ring	
103	1	049268	544623800	Dado	Nut	
104	1	072393	W00537200	Tubo pressostato	Pressure sensor hose	
105	3	049621	654600000	Sensore reed	Reed sensor	
106	2	0L3164	502698502	Supporto sensore reed	Reed sensor support	
107	3	0L2534	699605900	Magnete	Magnet	
108b	1	0L1164	830645801	Leva autostart sx	Left autostart lever	
108a	1	0L1165	830645901	Leva autostart dx	Right autostart lever	
109	2	0L1449	514699000	Asse autostart	Autostart pin	
110	1	0L0366	507683800	Supporto sensore temperatura	Temp. probe support	
111	2	0L2303	543633Z00	O-ring	O-ring	
112	2	049643	124294000	Sonda di temperatura	Temperature probe	
113	1	0L1596	5146A1600	Supporto inverter	Inverter support	Up to Ser. Nr.: 146
113	1	0L2508	830657K00	Supporto inverter	Inverter support	From Ser. Nr.: 147
114	1	0L1282	624605700	Inverter	Inverter	Up to Ser. Nr.: 835
114	1	0L1913	624606100	Inverter	Inverter	From Ser. Nr.: 836
						Up to Ser. Nr.: 146
114	1	0L2511	830658900	Inverter (programmato)	Inverter (programmed)	From Ser. Nr.: 147
						Up to Ser. Nr: 4501
114	1	0L3457	83065DV00	Inverter (programmato)	Inverter (programmed)	From Ser. Nr.: 4511
115	1	0L0082	518613000	Fascetta 7.3-7.8	Clamp 7.3-7.8	
116	1	0L1005	617623100	Resistenza vasca sinistra 6.0 kW	Tank left heating element 6.0 kW	230 V - not for 90 b/h
117	1	0L1035	617623200	Resistenza vasca destra 10.5 kW	Tank right heating element 10.5 kW	230 V - only for 90 b/h
117	1	0L2242	617632100	Resistenza vasca destra 10.5 kW	Tank right heating element 10.5 kW	Up to Ser. Nr.: 040
117	1	0L1006	617623000	Resistenza vasca destra 6.0 kW	Tank right heating element 6.0 kW	230 V - only for 90 b/h
						From Ser. Nr.: 041
						230 V - not for 90 b/h
118	4		W00525000	O-ring	O-ring	
119	1	049928	507682600	Flangia cieca	Blind flange	Up to Ser. Nr.: 146
119	1	0L2629	511620B00	Flangia cieca	Blind flange	From Ser. Nr.: 147
120	1	0L1866	5066A0500	Supporto sensore reed	Reed sensor support	
121	1	0L0280	514693100	Premistoppa	Probe nut	
122	1	0L1731	5066A0400	Sostegno leva autostart	Autostart support	
123	1	0L1004	639626900	Barra di collegamento	Connection bar	for 4 starter controller
124	1	0L1013	639626600	Morsettiera	Terminal box	Up to Ser.Nr.: 908
125	1	0L2510	673611S00	Scheda per ATV12	ATV12 control board	Up to Ser. Nr.: 4501
126	1	0L1329	5026A0200	Guida destra box elettrico	Electrical box right guide	Not for 140 b/h
126	1	0L1619	5026A5300	Guida destra box elettrico	Electrical box right guide	Only for 140 b/h
127	1	0L1595	5026A5400	Guida sinistra box elettrico	Electrical box left guide	
128	2	0L2552	544687900	Manicotto	Manifold	From Ser. Nr.: 147
129	1	0L2564	638689S00	Cablaggio ventola	Fan wiring harness	From Ser. Nr.: 147
130	1	0L2558	800674400	Convogliatore aria	Cooling fan air intake	From Ser. Nr.: 147
131	2	0L0193	518614400	Fascetta	Hose clamp	From Ser. Nr.: 147
132	1	0L2505	140600400	Tubo (67 cm)	Hose (67 cm)	From Ser. Nr.: 147
132	1	0L3XXX	140600601	Tubo (I.D.=51 cm)	Hose (I.D.=51 cm)	From Ser. Nr.: 4511
133	1	0L2559	830658700	Convolgiatore aria	Fan discharge bracket	From Ser. Nr.: 147
134a	1	0L1016	648614301	Partenza motore resistenza boiler	Boiler heating element starter controller	8A÷32A

Lavaggio+Risciacquo da 44", Componenti elettrici				ill. 657001p8	Grassetto = variazioni	
Wash+Rinse from 44", Electrical components					Bold Print = changes	
Pos.	Q.tà Q.ty	Cod.ric. Part No.	Cod. Fab. Fac. code	Descrizione	Description	Note Notes
134b	1	0L1016	648614301	Partenza motore resistenza vasca	Tank heating element starter controller	8A÷32A
135	1	0L1222	648614102	Partenza motore pompa lavaggio	Wash pump starter controller	1.25A÷5A
136	1	0L1297	648613901	Partenza motore CU	CU motor starter controller	0.35A÷1.4A Not for 90 b/h
137	1	0L2175	549646500	Ventola di raffreddamento	Cooling fan motor	From Ser. Nr.: 147
138	1	0L1593	639628800	Piastra terminale	End plate	
139	2	0L1594	639628600	Piastra terminale	End plate	
140	4	088653	516807900	Distanziale	Spacer	
141	1	0L1738	673611100	Scheda elettronica	Electronic board	Up to Ser: 4501
141	1	0L3461	673612F02	Scheda elettronica	Electronic board	From Ser: 4511
142	1	0L1202	541614700	Copertura	Cover	
143	1	0L0698	640612700	Manopola	Knob	
144	1	0L0363	640612500	Sezionatore generale	Main switch	Up to S.N.019
144	1	0L2066	640613300	Sezionatore generale	Main switch	From S.N.020
146	1	0E5851	W00509000	Morsetto	Terminal block	
148	1	0L1708	850662A01	Assieme box elettrico	Electrical box assembly	
150	1	0L1005	617623100	Resistenza boiler sinistra 6.0 kW	Boiler left heating element 6.0 kW	
150	1	0L1035	617623200	Resistenza boiler sinistra 10.5 kW	Boiler left heating element 10.5 kW	Only for 250 b/h Up to Ser. Nr.: 040
150	1	0L2242	617632100	Resistenza boiler sinistra 10.5 kW	Boiler left heating element 10.5 kW	Only for 250 b/h From Ser. Nr.: 041
151	1	0L1006	617623000	Resistenza boiler destra 6.0 kW	Boiler right heating element 6.0 kW	
152	1	0L1737	6736011200	PCB Morsettiera	PCB Junction box	
153	1	0L1408	624605901	Trasformatore Pri200/230V Sec24V 50VA	Transformer Pri200/230V Sec24V 50VA	Up to S.N.019
153	1	0L2191	624606301	Trasformatore Pri200/230V Sec24V 50VA	Transformer Pri200/230V Sec24V 50VA	From S.N.020 Up to Ser. Nr.: 146
153	1	0L2526	624606500	Trasformatore Pri200/230V Sec24V 50VA	Transformer Pri200/230V Sec24V 50VA	From Ser. Nr.: 147
154	1	0L1226	639626800	Barra di collegamento	Connection bar	for 3 starter controller
155	5	0L1227	639627800	Connettore	Connection	
156	2	0L1228	639627900	Connettore	Connection	
157	1	0L1245	639628400	Morsetto blu	Blue terminal block	
158	1	0L1248	850659801	Box sezionatore morsettiera	Terminal board box	Up to Ser. Nr.: 146
158	1	0L2632	850664C00	Box sezionatore morsettiera	Terminal board box	From Ser. Nr.: 147
159	1	0L1249	541614800	Copertura box sezionatore	Switch box cover	
160	1	0L1736	805664603	Assieme Scheda user	User interface assembly	Up to Ser. Nr.: 143
160	1	0L2630	805664604	Assieme Scheda user	User interface assembly	From Ser. Nr.: 144
160	1	0L2630	805664604	Assieme Scheda user	User interface assembly	Up to Ser. Nr.: 144
160	1	0L3460	805666L01	Assieme Scheda user	User interface assembly	From Ser. Nr.: 4511
161	1	0L1298	639628900	Morsetto marrone	Brown terminal block	161
162	1	0L1293	639627200	Morsettiera unipolare	Unipolar terminal block	162
163	2	0L1294	652608100	Portafusibile	Fuse holder	163
164	1	0L1296	639628700	Morsetto	Terminal block	164
165	2	0L1295	652608200	Fusibile	Fuse	165
166	2/1	0L2556	699605B00	Connettore	Connection	Qty 2 for 90 & 140 b/h Qty 1 for 180 & 250 b/h From Ser. Nr.: 147

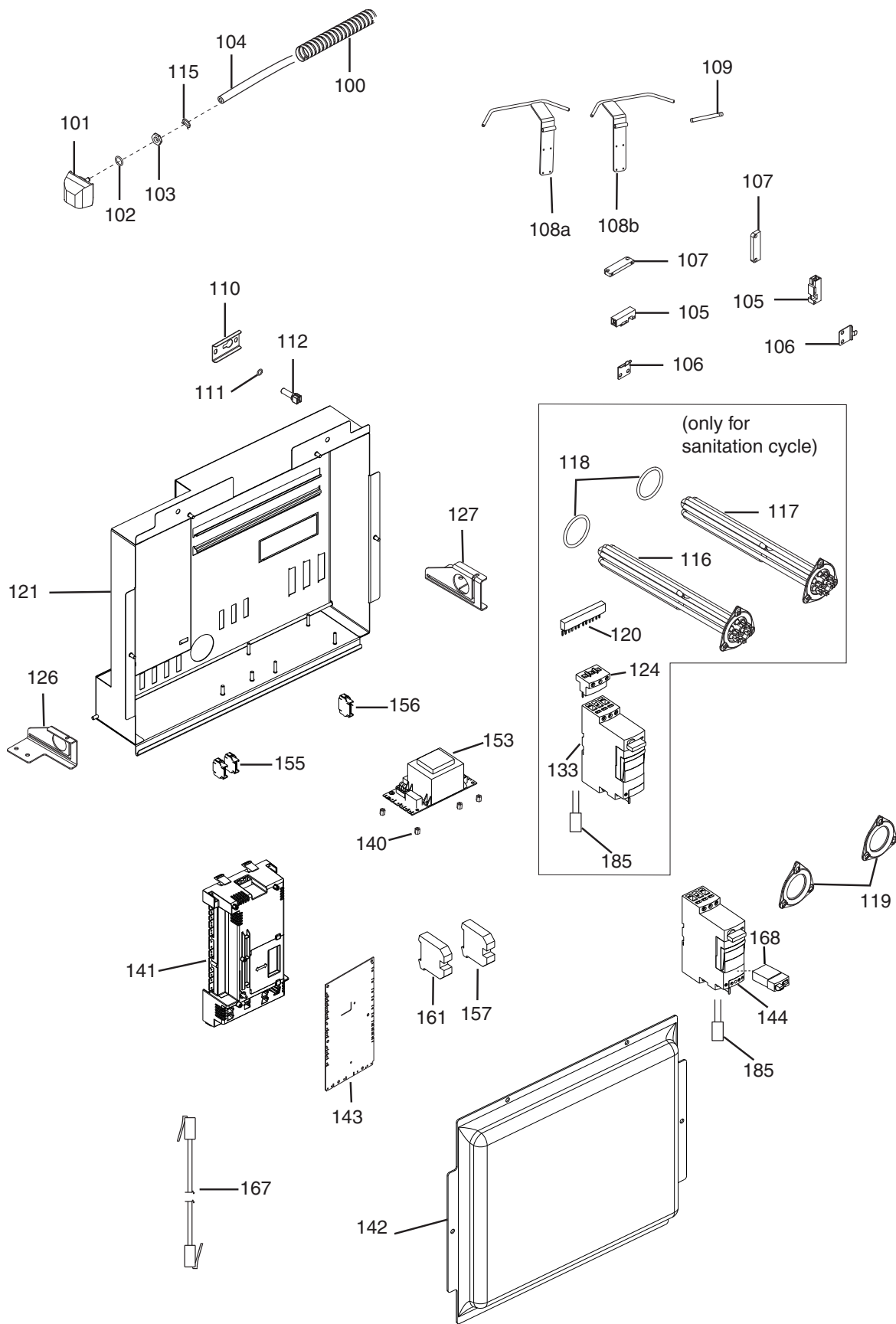
Pos.	Q.tà Q.ty	Cod.ric. Part No.	Cod. Fab. Fac. code	Descrizione	Description	Note Notes
167	1	0L1396	639629000	Cavo di comunicazione	Communication cable	Not for 250 b/h Up to S.N.019
167	1	0L1432	639629200	Cavo di comunicazione	Communication cable	Only for 250 b/h Up to S.N.019
167	1	0L3458	639629200	Cavo di comunicazione	Communication cable	Only for 250 b/h From S.N.4511
167	1	0L2212	639629J00	Cavo di comunicazione	Communication cable	From S.N.020
168	3	0L1441	648615200	Contatto ausiliario	Auxiliary contact	168
170	8	002670	548836902	Prolunga pulsante	Switches cover	170
171	1	0L1483	541616401	Copertura scheda user	User interface cover	171
185	4	0L1771	694606300	Filtro	Filter	
190	0.8 mt	0L2426	140600300	Tubo 20x3	Hose 20x3	Only for 90/140 From Ser. Nr.: 046
190	1.4 mt	0L2426	140600300	Tubo 20x3	Hose 20x3	Only for 180 From Ser. Nr.: 046
190	1.7 mt	0L2426	140600300	Tubo 20x3	Hose 20x3	Only for 250 From Ser. Nr.: 046



ill. 657001p9

Prelavaggio da 22", Componenti elettrici / Prewash from 22", Electrical components

Prelavaggio da 22", Componenti elettrici				ill. 657001p9		Grassetto = variazioni
Prewash from 22", Electrical components						Bold Print = changes
Pos.	Q.tà Q.ty	Cod.ric. Part No.	Cod. Fab. Fac. code	Descrizione	Description	Note Notes
100	1	0L1948	W00050701	Guaina a spirale	Protection cable	
101	1	048308	542604901	Trappola d'aria	Air trap	
102	1	068642	246035800	O-ring	O-ring	
103	1	049268	544623800	Dado	Nut	
104	1	072393	W00537200	Tube pressostato	Pressure sensor hose	
105	2	049621	654600000	Sensore reed	Reed sensor	
106	2	0L3164	502698502	Supporto sensore reed	Reed sensor support	
107	2	0L2534	699605900	Magnete	Magnet	
108b	1	0L1164	830645801	Leva autostart sx	Left autostart lever	For left machines
108a	1	0L1165	830645901	Leva autostart dx	Right autostart lever	For right machines
109	1	0L1449	514699000	Asse autostart	Autostart pin	
110	1	0L0366	507683800	Supporto sensore temperatura	Temperature probe support	
111	1	0L2303	543633Z00	O-ring	O-ring	
112	1	049643	124294000	Sonda di temperatura	Temperature probe	
115	1	0L0082	518613000	Fascetta 7.3-7.8	Clamp 7.3-7.8	
118	1	0L2304	543633Y00	O-ring	O-ring	only for sanitation cycle
119	1	049928	507682600	Flangia cieca	Blind flange	Up to Ser. Nr.: 146
119	1	0L2629	511620B00	Flangia cieca	Blind flange	From Ser. Nr.: 147
120	1	0L1035	617623200	Resistenza 10.5kW 230V	Heating element 10.5kW 230V	Only for sanitization cycle
120	1	0L2242	617632100	Resistenza 10.5kW 230V	Heating element 10.5kW 230V	Up to Ser. Nr.: 040 Only for sanitization cycle From Ser. Nr.: 041
121	1	0L1707	850662B01	Assieme box elettrico	Electrical box assembly	
124	1	0L1013	639626600	Morsettiera	Junction box	only for sanitation cycle
126	1	0L1329	5026A0200	Guida destra box elettrico	Electrical box right guide	
127	1	0L1316	5026A0300	Guida sinistra box elettrico	Electrical box left guide	
132	1	0L1025	639626700	Barra di collegamento	Connection bar	only for sanitation cycle
133	1	0L1297	648613901	Partenza motore pompa	Pump starter controller	0.35A÷1.4A
135	1	0L1016	648614301	Partenza motore resistenza	Heating element starter controller	8A÷32A only for sanitation cycle
140	4	088653	516807900	Distanziale	Spacer	
141	1	0L1738	673611100	Scheda elettronica	Electronic board	Up to Ser: 1450
141	1	0L3461	673612F02	Scheda elettronica	Electronic board	From Ser: 1451
142	1	0L1591	541615300	Copertura	Cover	
152	1	0L1739	699605200	PCB Morsettiera	PCB Junction box	
153	1	0L1408	624605901	Trasformatore Pri200/230V Sec24V 50VA	Transformer Pri200/230V Sec24V 50VA	Up to S.N.019
153	1	0L2191	624606301	Trasformatore Pri200/230V Sec24V 50VA	Transformer Pri200/230V Sec24V 50VA	From S.N.020
155	2	0L1227	639627800	Connettore	Connector	
156	1	0L1228	639627900	Connettore	Connector	
157	1	0L1245	639628400	Morsetto blu	Blue terminal block	
161	1	0L1298	639628900	Morsetto marrone	Brown terminal block	
167	1	0L1396	639629000	Cavo di comunicazione	Communication cable	Up to S.N.019
167	1	0L2212	639629J00	Cavo di comunicazione	Communication cable	From S.N.020
168	1	0L1441	648615200	Contatto ausiliario	Auxiliary contact	
185	1	0L1771	694606300	Filtro	Filter	



iii. 657001p10

Prelavaggio da 44", Componenti elettrici / Prewash from 44", Electrical components

Pos.	Q.tà Q.ty	Cod.ric. Part No.	Cod. Fab. Fac. code	Descrizione	Description	Note Notes
100	1	0L1948	W00050701	Guaina a spirale	Protection cable	
101	1	048308	542604901	Trappola d'aria	Air trap	
102	1	068642	246035800	O-ring	O-ring	
103	1	049268	544623800	Dado	Nut	
104	1	072393	W00537200	Tube pressostato	Pressure sensor hose	
105	2	049621	654600000	Sensore reed	Reed sensor	
106	2	0L3164	502698502	Supporto sensore reed	Reed sensor support	
107	2	0L2534	699605900	Magnete	Magnet	
108b	1	0L1164	830645801	Leva autostart sx	Left autostart lever	For left machines
108a	1	0L1165	830645901	Leva autostart dx	Right autostart lever	For right machines
109	1	0L1449	514699000	Asse autostart	Autostart pin	
110	1	0L0366	507683800	Supporto sensore tempera- tura	Temperature probe support	
111	1	0L2303	543633Z00	O-ring	O-ring	
112	1	049643	124294000	Sonda di temperatura	Temperature probe	
115	1	0L0082	518613000	Fascetta 7.3-7.8	Clamp 7.3-7.8	
116	1	0L1039	617623500	Resistenza sin 10.5kW 230V	Left heating elem. 10.5kW 230V	Only for sanitization cycle Up to Ser. Nr.: 040
116	1	0L2736	617632201	Resistenza sin 10.5kW 230V	Left heating elem. 10.5kW 230V	Only for sanitization cycle From Ser. Nr.: 041
117	1	0L1006	617623000	Resistenza destra 6kW 230V	Right heating element 6kW 230V	only for sanitation cycle
118	2	0L2304	543633Y00	O-ring	O-ring	only for sanitation cycle
119	2	049928	507682600	Flangia cieca	Blind flange	Up Ser. Nr.: 146
119	1	0L2629	511620B00	Flangia cieca	Blind flange	From Ser. Nr.: 147
120	1	0L1025	639626700	Barra di collegamento	Connection bar	only for sanitation cycle
121	1	0L1708	850662A01	Assieme box elettrico	Electrical box assembly	
124	1	0L1013	639626600	Morsettiera	Junction box	only for sanitation cycle
126	1	0L1329	5026A0200	Guida destra box elettrico	Electrical box right guide	
127	1	0L1595	5026A5400	Guida sinistra box elettrico	Electrical box left guide	
133	1	0L1016	648614301	Partenza motore resistenza vasca	Tank heating element starter controller	8A÷32A only for sanitation cycle
140	4	088653	516807900	Distanziale	Spacer	
141	1	0L1738	673611100	Scheda elettronica	Electronic board	Up to Ser: 4501
141	1	0L3461	673612F02	Scheda elettronica	Electronic board	From Ser: 4511
142	1	0L1202	541614700	Copertura	Cover	
143	1	0L1739	699605200	PCB Morsettiera	PCB Junction box	
144	1	0L1222	648614102	Partenza motore pompa	Pump starter controller	1.25A÷5A
153	1	0L1408	624605901	Trasformatore Pri200/230V Sec24V 50VA	Transformer Pri200/230V Sec24V 50VA	Up to S.N.019
153	1	0L2191	624606301	Trasformatore Pri200/230V Sec24V 50VA	Transformer Pri200/230V Sec24V 50VA	From S.N.020
155	2	0L1227	639627800	Connettore	Connector	
156	1	0L1228	639627900	Connettore	Connector	
157	1	0L1245	639628400	Morsetto blu	Blue terminal block	
161	1	0L1298	639628900	Morsetto marrone	Brown terminal block	
167	1	0L1396	639629000	Cavo di comunicazione	Communication cable	Up to S.N.019

Pos.	Q.tà Q.ty	Cod.ric. Part No.	Cod. Fab. Fac. code	Descrizione	Description	Note Notes
167	1	0L2212	639629J00	Cavo di comunicazione	Communication cable	From S.N.020
168	1	0L1441	648615200	Contatto ausiliario	Auxiliary contact	
185	1	0L1771	694606300	Filtro	Filter	

Kit Air GAP				ill. 657001p11		Grassetto = variazioni
Kit Air gap, Components						Bold Print = changes
Pos.	Q.tà Q.ty	Cod. ric. Part No.	Cod. Fab. Fac. code	Descrizione	Description	Note Notes
100	12	048126	518609801	Fascetta 12-22	Clamp 12-22	
101	3	048531	140066039	Tubo 12X19.5 mm	Hose 12X19.5 mm	
102	1	049379	140066047	Tubo 12X19.5 mm(wrc)	Hose 12X19.5 mm(wrc)	
103	1	0L2047	830654T00	Tubo cu	Hose cu	
104	1	0L2048	830654U00	Tubo cu	Hose cu	
105	1	0L2045	544685B00	Tubo aspirazione pompa	Hose suction pump	
106	2	0L1892	544685800	Valvola DVGW	DVGW valve	
107	1	0L2049	5146A2F00	Parzializzatore 4 l/m	Shutter 4 l/m	Not for RTC250/ WTC250
107	1	0L2050	5146a2G00	Parzializzatore 5 l/m	Shutter 5 l/m	For RTC250/ WTC250
109	1	0L1766	850662G00	Boiler	Boiler	Up to Ser.Nr.: 851
109	1	0L1959	850663500	Boiler	Boiler	From Ser.Nr.: 852 Up to Ser.Nr.: 021 Not for Middle East
109	1	0L1766	850662G01	Boiler	Boiler	From Ser.Nr.: 022 Not for Middle East
109	1	0L1983	850663L01	Boiler	Boiler	For Middle East
110	1	048308	542604901	Trappola d'aria	Air trap	
111	1	049268	544623800	Dado M14x1.5	Nut M14x1.5	
112	1	068642	246035800	O-ring 2.62x15.54	O-ring 2.62x15.54	
113	1	0L2046	509612700	Air gap	Air gap	Up to Ser.Nr.: 020
113	1	0L2274	850663Y00	Air gap	Air gap	From Ser.Nr.: 021
113	1	0L2274	850663Y00	Air gap	Air gap	Up to Ser.Nr.: 4501
113	1	0L2274	850663Y01	Air gap	Air gap	From Ser.Nr.: 4511
113a	1	0L2281	5026B3100	Coperchio air gap	Air gap cover	From Ser.Nr.: 021
114	1	0L1132	673608302	Scheda sensore di pressione	Air break pressure sensor	Up to Ser:4501
114	1	0L2845	673611M00	Sensore di pressione Elbi	Elbi Air break pressure sensor	From Ser:4511
115	1	0L1909	544685A00	Tubo sensore di pressione	Pressure sensor pipe	Up to Ser.Nr.: 4501
115	1	0L3088	544688D00	Tubo sensore di pressione Elbi	Elbi Pressure sensor pipe	From Ser.Nr.: 4511
116	1	0L1198	696617400	Elettrovalvola	Solenoid valve	Up to Ser.Nr.: 019
116	1	0L2327	696618400	Elettrovalvola	Solenoid valve	From Ser.Nr.: 020
117	1	0L1384	611634600	Pompa risciacquo	Rinse pump	
118	1	0L2044	509612600	Supporto Air gap	Air gap basament	
119	1	0L1730	511620800	Scambiatore aria-acqua	Water-air heat exchanger	Up to Ser.: 5141
119	1	0L3573	511621200	Scambiatore aria-acqua	Water-air heat exchanger	From Ser.: 5151
120	1	072457	W00526300	Raccordo	Fitting	
121	1	0L1297	648613901	Partenza motore CU	CU motor starter controler	
122	1	0L1771	694606300	Filtro	Filter	Up to Ser: 4501
122	1	0L3459	694606300	Filtro	Filter	From Ser: 4511
123	1	0L1025	639626700	Barra di collegamento	Connection bar	
124	1	0L1148	5146A0600	Tappo	Plug	
125	1	0E5056	W00525500	Dado	Nut	
126	1	0L3302	5056A2M01	Supporto sensore	Sensor support	From to Ser:4511
127	1	0L3493	5146A8100	Tappo a calotta	Plug	From to Ser: 4511
128	1	0L2305	543633X00	O-ring 2.62x15.54	O-ring 2.62x15.54	From to Ser: 4511
129	1	0H2610	W00525300	Dado esagonale 1/4"	Hex nut 1/4	From to Ser: 4511