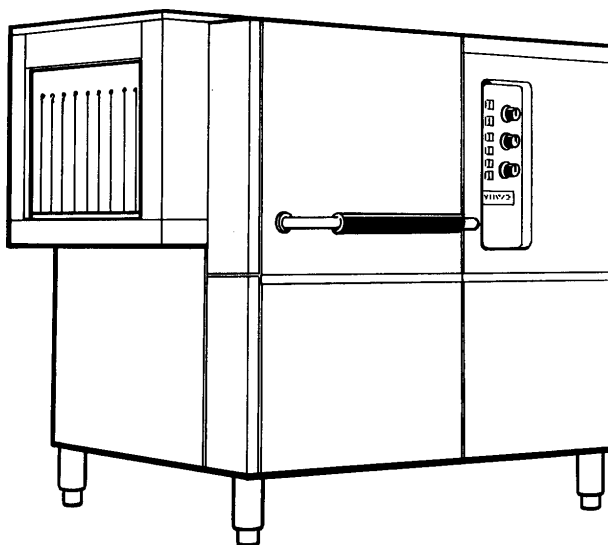


**LAVASTOVIGLIE A CESTO TRASCINATO  
RACK TYPE DISHWASHER**

**RT 100 - 140 / RT 1800 - 2500  
D 1700 - 1800 / H 511 - 512  
ELECTRIC HEATED**



OS/Doc - RT 100 - 140 el \ 651001.pm6 (Doc No 478 1976-17)

**Marchio / Brand:** Z / A  
**Paese / Country:** Tutti / All



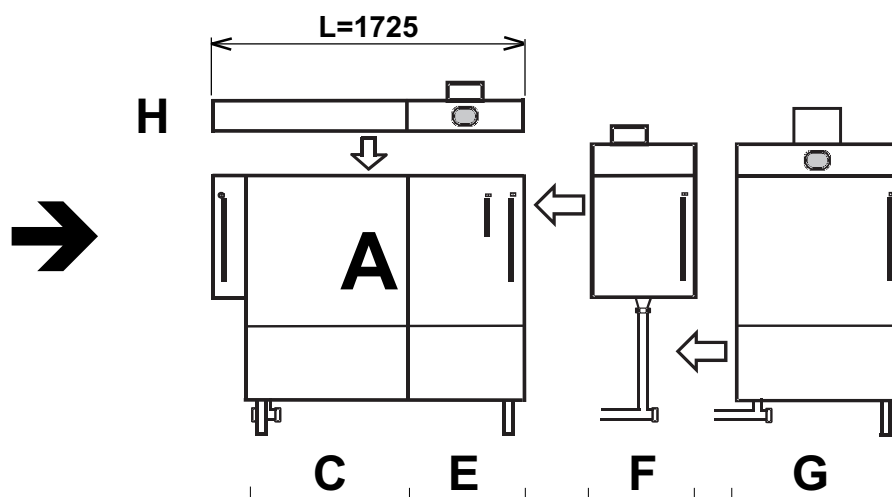
Pag.	Illustr.	Indice Descrizione	Index Description
5		Risciacquo finale: alternative resistenze boiler	Final rinse: alternatives on boiler heating elements
6	21214	Prelavaggio, vasca e pannelli	Prewash, tank and panels
7		Lista ricambi illustr. 21214	Spare part list illustr. 21214
8,10	21219	Lavaggio, scarico ed impianto di lavaggio	Chemical wash, drain and wash system
9,11		Lista ricambi illustr. 21219	Spare part list illustr. 21219
12	21220	Lavaggio / Prerisciacquo, riscaldamento	Chemical wash / Power rinse, heating
13		Lista ricambi illustr. 21220	Spare part list illustr. 21220
14	21221	Risciacquo finale, Vasca e pannelli	Final rinse, tank and panels
15		Lista ricambi illustr. 21221	Spare part list illustr. 21221
16	21222	Risciacquo finale, motore di trascinamento	Final rinse, feeding motor
17		Lista ricambi illustr. 21222	Spare part list illustr. 21222
18	21223	Risciacquo finale, singolo	Final rinse, single
19		Lista ricambi illustr. 21223	Spare part list illustr. 21223
20	21225	Risciacquo finale, doppio	Final rinse, double
21		Lista ricambi illustr. 21225	Spare part list illustr. 21225
22	21228	Risciacquo finale, DUO	Final rinse, DUO
23		Lista ricambi illustr. 21228	Spare part list illustr. 21228
24	21226	Risciacquo finale, DUO + ESD	Final rinse, DUO + ESD
25		Lista ricambi illustr. 21226	Spare part list illustr. 21226
26	21231	Risciacquo finale, valvole	Final rinse, valves
27		Lista ricambi illustr. 21231	Spare part list illustr. 21231
28,30	21307	Boiler + Pompa aum. pressione, Risc. Elettrico	Booster + Boosterpump, Electric heated
29,31		Lista ricambi illustr. 21307	Spare part list illustr. 21307
32	21307Z	Boiler + Pompa aum. pressione, Risc. Elettrico	Booster + Boosterpump, Electric heated
33		Lista ricambi illustr. 21307Z	Spare part list illustr. 21307Z
34	21268	Quadro elettrico, livello 1-2, pannellature	Switch cabinet, level 1-2, panels
35		Lista ricambi illustr. 21268	Spare part list illustr. 21268
36	21269	Quadro elettrico, livello 3, pannellature	Switch cabinet, level 3, panels
37		Lista ricambi illustr. 21269	Spare part list illustr. 21269
38	21269z	Quadro elettrico, livello 3, pannellature	Switch cabinet, level 3, panels
39		Lista ricambi illustr. 21269z	Spare part list illustr. 21269z
40,42	21234	Quadro elettrico, livello 1, 200-440V	Switch cabinet, level 1, 200-440V
41,43		Lista ricambi illustr. 21234	Spare part list illustr. 21234
44,46	21262	Quadro elettrico, livello 2, 200-230V	Switch cabinet, level 2, 200-230V
45,47		Lista ricambi illustr. 21262	Spare part list illustr. 21262
48,50	21263	Quadro elettrico, livello 3, 200-230V	Switch cabinet, level 3, 200-230V
49,51		Lista ricambi illustr. 21263	Spare part list illustr. 21263
52,54	21271	Quadro elettrico, livello 2, 380-440V	Switch cabinet, level 2, 380-440V
53,55		Lista ricambi illustr. 21271	Spare part list illustr. 21271
56,58	21272	Quadro elettrico, livello 3, 380-440V	Switch cabinet, level 3, 380-440V
57,59		Lista ricambi illustr. 21272	Spare part list illustr. 21272
60	21272z	Quadro elettrico, livello 3, 380-440V	Switch cabinet, level 3, 380-440V
61		Lista ricambi illustr. 21272z	Spare part list illustr. 21272z
62	21289	Recuperatore di energia ESD, Pannelli	Energy Saving Device ESD, Panels
63		Lista ricambi illustr. 21289	Spare part list illustr. 21289
64	21289z	Recuperatore di energia ESD, Pannelli	Energy Saving Device ESD, Panels
65		Lista ricambi illustr. 21289z	Spare part list illustr. 21289z
66	21290	Recuperatore di energia ESD, Tubazioni	Energy Saving Device ESD, Pipes
67		Lista ricambi illustr. 21290	Spare part list illustr. 21290
68	21295	Unità condensa fumane CU	Condensing Unit CU
69		Lista ricambi illustr. 21295	Spare part list illustr. 21295
70	21301	Zona di asciugatura HAB	Hot Air Blower HAB
71		Lista ricambi illustr. 21301	Spare part list illustr. 21301
72	21302	Zona di asciugatura HAB, Riscaldamento	Hot Air Blower HAB, Heating
73		Lista ricambi illustr. 21302	Spare part list illustr. 21302
74	21304	Tunnel di asciugatura ADT, Pannelli	Air Drying Tunnel ADT, Panels
75		Lista ricambi illustr. 21304	Spare part list illustr. 21304
76	21305	Tunnel di asciugatura ADT, Componenti elettrici	Air Drying Tunnel ADT, Electrical components
77		Lista ricambi illustr. 21305	Spare part list illustr. 21305
78	21306	Tunnel di asciugatura ADT, Riscaldamento	Air Drying Tunnel ADT, Heating
79		Lista ricambi illustr. 21306	Spare part list illustr. 21306
80-81		Elementi di fissaggio	Attachment elements

**Figura = Macchina con caricamento sinistro = SX**

**View = Left feeded machine = Left**

**Figura specchiata = Macchina con caricamento destro = DX**

**Opposite view = Right feeded machine = Right**



**A = Modello base / Basic model**

**C = Zona lavaggio / Chemical wash**

**E = Risciacquo finale / Final rinse**

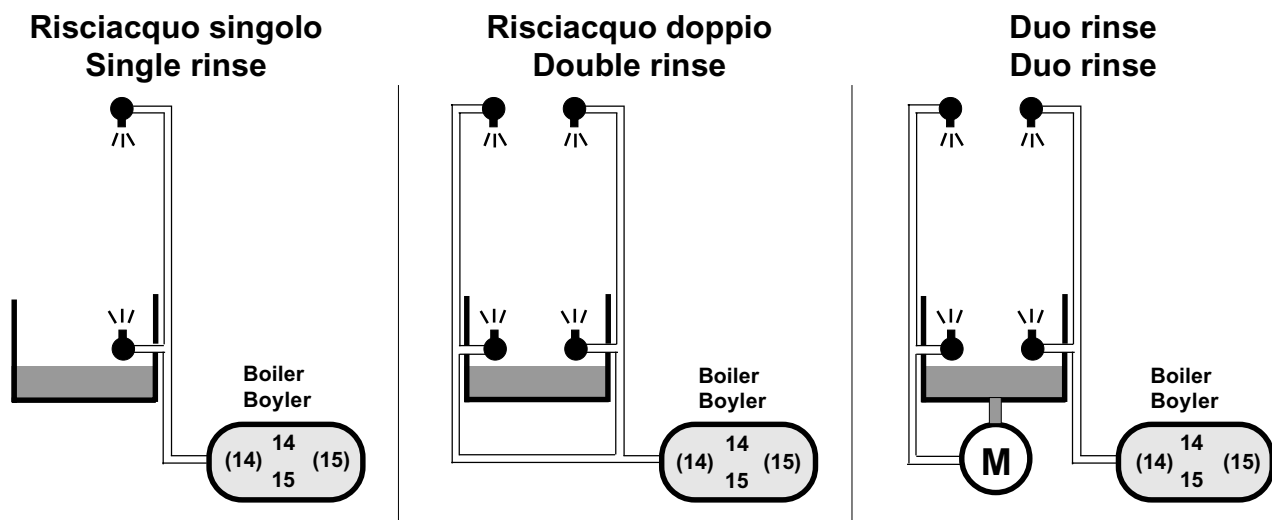
**Accessori / Accessories**

**F = Zona asciugatura / Hot air blower**

**G = Tunnel asciugatura / Drying tunnel**

**H = Recuperatore di energia (ESD) - Unità condensa fumane (CU) /  
Energy saving device (ESD) - Condensing unit (CU)**

**Risciacquo finale : alternative resistenze boiler**  
**Final rinse: alternatives on boiler heating elements**



**Pos 14 =** Resistenza boiler superiore / (oppure resistenza sinistra se con resistenze affiancate)  
 Upper boiler heating element / (or left element if side by side elements)

**Pos 15 =** Resistenza boiler inferiore / (oppure resistenza destra se con resistenze affiancate)  
 Lower boiler heating element / (or right element if side by side elements)

Vedi ill. 21307 / (Vedi ill. 21307z)  
 See ill. 21307 / (See ill. 21307z)

**RT 100 / RT 1800**

		Risciacquo singolo Single rinse	Risciacquo doppio Double rinse	Duo Duo rinse
<b>A</b>	Pos. 14	6 kW (6 kW)	6 kW (6 kW)	-
	Pos. 15	8 kW (8 kW)	8 kW (8 kW)	-
<b>A + ESD</b>	Pos. 14	-	-	-
	Pos. 15	-	-	-
<b>A + CU</b>	Pos. 14	10 kW (10,5kW)	10 kW (10,5kW)	-
	Pos. 15	12 kW (12 kW)	12 kW (12 kW)	-

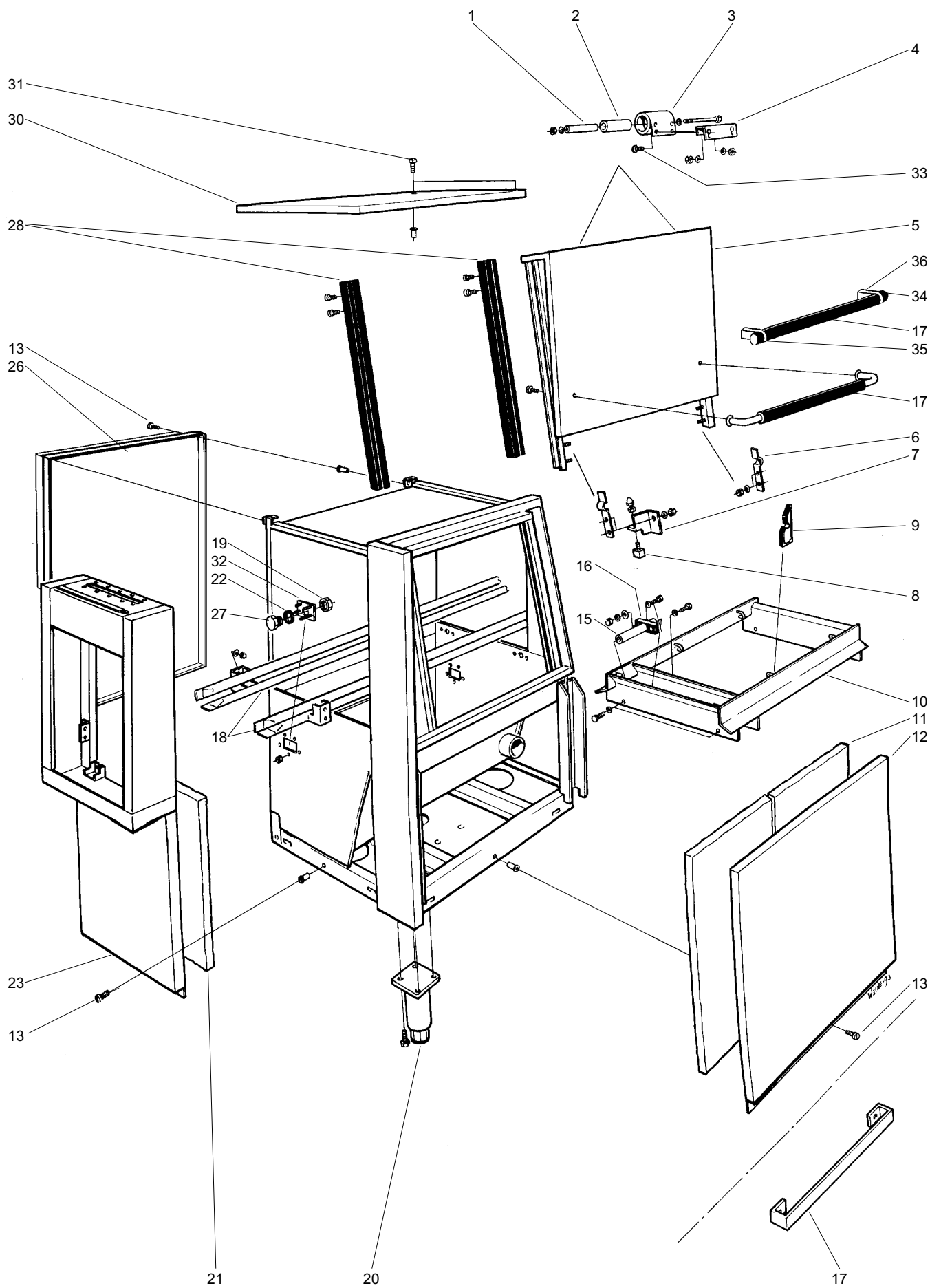
**RT 140 / RT 2500**

		Risciacquo singolo Single rinse	Risciacquo doppio Double rinse	Duo Duo rinse
<b>A</b>	Pos. 14	6 kW (6 kW)	6 kW (6 kW)	4 kW
	Pos. 15	10 kW (10,5kW)	10 kW (10,5kW)	6 kW
<b>A + ESD</b>	Pos. 14	8 kW	8 kW	4 kW (4,5kW)
	Pos. 15	10 kW	10 kW	8 kW (8kW)
<b>A + CU</b>	Pos. 14	12 kW	12 kW	6 kW (6 kW)
	Pos. 15	14 kW	14 kW	10 kW (10,5kW)

**D 1700 / 1800**

		Risciacquo singolo Single rinse	Risciacquo doppio Double rinse	Duo Duo rinse
<b>A</b>	Pos. 14	8 kW	8 kW	4 kW
	Pos. 15	10 kW	10 kW	8 kW
<b>A + ESD</b>	Pos. 14	8 kW	8 kW	4 kW
	Pos. 15	10 kW	10 kW	8 kW
<b>A + CU</b>	Pos. 14	14 kW	14 kW	6 kW
	Pos. 15	14 kW	14 kW	4 kW

OS/Doc - RT 100 - 140 el \ 651001.pm6 (Doc No 478 1976-17)

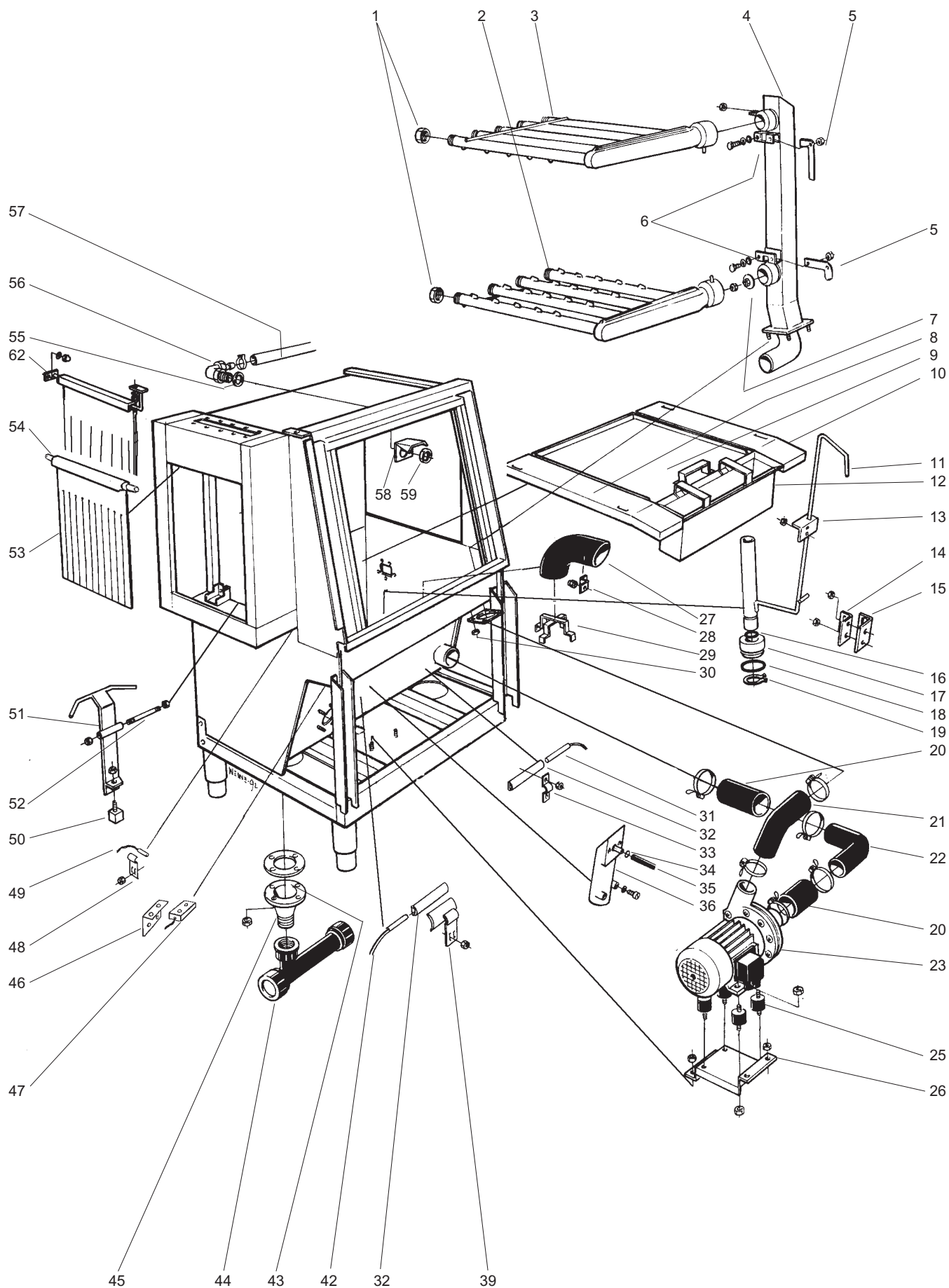


Pos.	Q.tà Q.ty	Art. No	Cod. Ric. Part No	Descrizione	Description	Note Notes
	[			<b>Vasca L=475</b>	<b>Tank L=475</b>	
	[			<b>Vasca L=900</b>	<b>Tank L=900</b>	
1	2 2	478561001	0E5454	Distanziatore	Spacer	
2	2 2	482252700	0E5001	Puleggia	Pulley	
3	2 -	482252803	0E5158	Molla	Door spring	
3	- 2	482252804	0E5167	Molla	Door spring	
4	2 2	482458700	0E2898	Aggancio molla porta	Spring retainer	
5	1 -	W00822300	0E5859	Assieme porta	Door	5). 6).
5	1 -	W00822500	0E5858	Assieme porta	Door	7).
5	- 1	W00822100	0E5865	Assieme porta	Door	5). 6). - Insulated
5	- 1	W00822200	0E5871	Assieme porta	Door	5). 6). - Not Insulated
5	- 1	W00822400	0E5864	Assieme porta	Door	7).
6	2 2	482458800	0E5157	Molla	Doorstop	
7	1 1	482348700		Supporto	Magnet holder	
8	1 1	461137802	0E0102	Magnete	Magnet	
9	4 4	482252100	0E5007	Supporto	Carrier	
10	1 -	482374800		Ass. slitte	Rack mover	
10	- 1	482772700	0E5713	Ass. slitte	Rack mover	
11	1 2	482425903	0E5456	Pannello isolante	Insulation	3).
11	- -	482425903	0E5456	Pannello isolante	Insulation	4).
12	1 -	482600300		Pannello frontale	Front plate	
12	- 1	482600200	0E5457	Pannello frontale	Front plate	
13	8 8	478566403	0H2300	Vite	Screw	LKCS 5x10
15	2 2	482349500	0E5005	Albero	Shaft	
16	2 2	482257600	0E5006	Guida	Slide shoe	
17	1 -	482265601	0E5088	Maniglia	Handrail	5).
17	1 -	482412901	0E5092	Maniglia	Handrail	6). - Up to ser. nr.: 106
17	1 -	515654500	0L0250	Maniglia	Handrail	6). - From ser. nr.: 107
17	1 -	490056100		Maniglia	Handrail	7).
17	- 1	482265600	0E5089	Maniglia	Handrail	5).
17	- 1	482412900	0E5091	Maniglia	Handrail	6). - Up to ser. nr.: 106
17	- 1	514687301	049823	Maniglia	Handrail	6). - From ser. nr.: 107
17	- 1	490056101		Maniglia	Handrail	7).
18	1 -	482250301		Ass. guide cesto	Slide, Cpl	2-tanks
18	1 -	482250303		Ass. guide cesto	Slide, Cpl	3-tanks
18	- 1	482250300		Ass. guide cesto	Slide, Cpl	1-tank
18	- 1	482250302		Ass. guide cesto	Slide, Cpl	2-tanks
18	- 1	482250304	0E5349	Slitta	Slide, Cpl	3-tanks
19	1 1	741111324	0E5424	Dado	Nut	1/2"
20	2 2	482255200	0E5009	Gamba	Leg	
21	2 2	482425902	0E5458	Pannello isolante	Insulation	3).
21	- -	482425902	0E5458	Pannello isolante	Insulation	4).
22	1 1	552211003	0E5122	Guarnizione	Gasket	
23	1 1	482600600	0E5459	Pannello frontale	Front plate	1).
23	1 1	482600700	0E5460	Pannello frontale	Front plate	2).
26	1 -	482600500	0E5499	Pannello posteriore	Rear plate	
26	- 1	482600400	0E5461	Pannello posteriore	Rear plate	
27	1 1	741521324	0E5462	Tappo	Plug	1/2"
28	2 2	482254300	0E5151	Slide strip	Slide strip	
30	1 -	482607000	0E5497	Pannello superiore	Outer top	
30	- 1	482607200	0E5463	Coperchio	Outer top	
31	6 6	478566402		Vite	Screw	LKCS 5x30
32	1 1	482620600	0E5464	Coperchietto	Lid	
33	x x	478566403	0H2300	Vite	Screw	LKCS 5x10
34	x x	490056200			Handrail stop, sphere	7).
35	x x	490056201			Handrail stop, straight	7).
36	2 2	490056000			Handrail holder, cpl.	7).

- 1). Macchine con alimentazione SX / Left feeded machines
- 2). Macchine con alimentazione DX / Right feeded machines
- 3). Coibentata / Insulated
- 4). Non coibentata / Uninsulated

**Grassetto = variazioni**  
**Bold Print = changes**

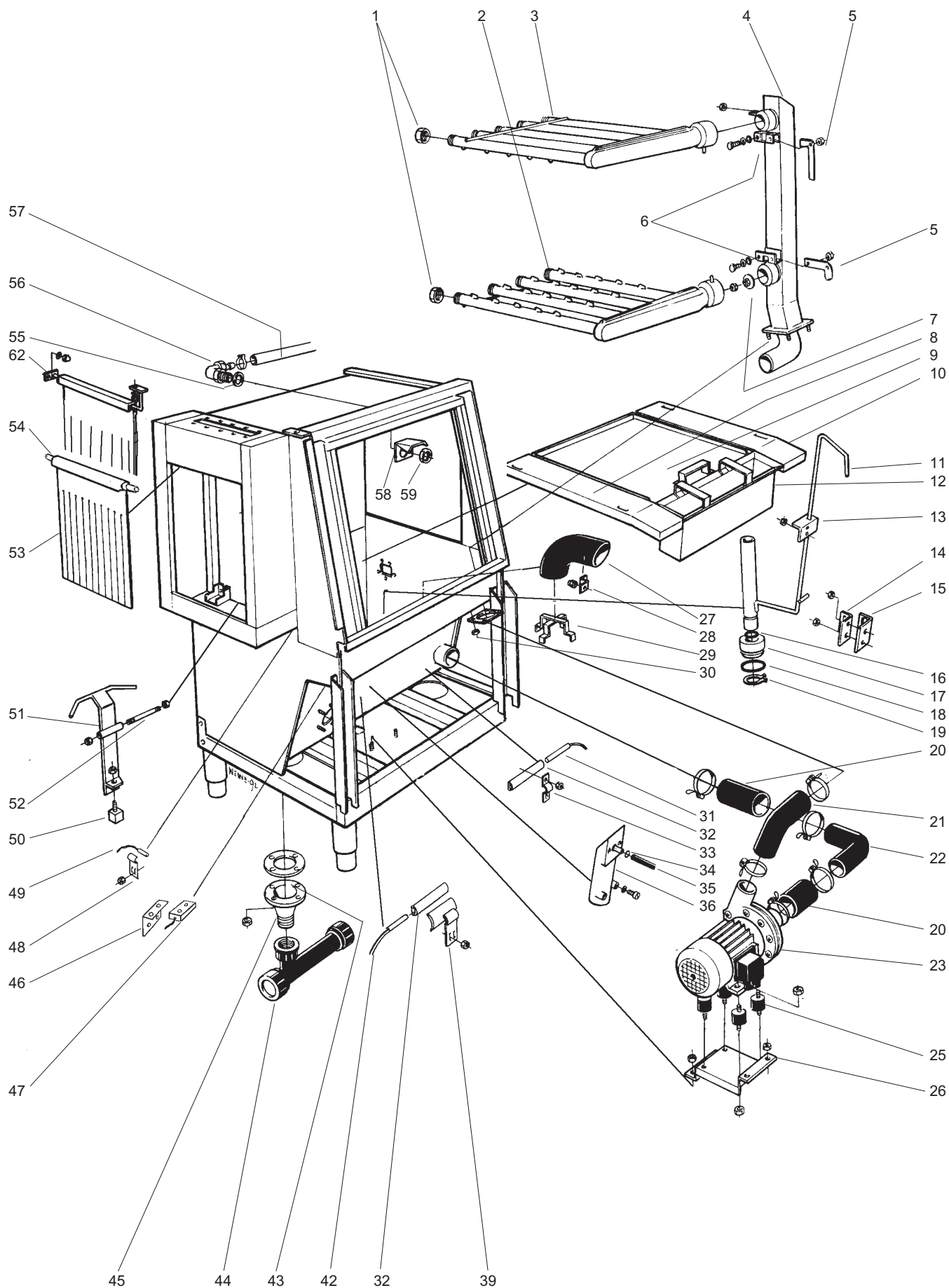
- 5). RT100 - 140 - 190 - 270
- 6). RT1800 - 2500 - 3400 - 4800 / D1700 - 1800 - 2700 - 3600
- 7). H 511 - 512 - 522



Pos.	Q.tà Q.ty	Art. No	Cod. Ric. Part No	Descrizione	Description	Note Notes
	I I			<b>Macch. con alim. SX</b> <b>Macch. con alim. DX</b>	<b>Left fedded machines</b> <b>Right fedded machines</b>	
1	9 9	741611624	0E5016	Tappo	Plug	- Up to Ser: 028
1	10 10	805656100	0E5997	Tappo	Plug	- From Ser: 029...
2	1 1	482769800	0E5465	Braccio lavaggio inf.	Lower spraying arm	- From serial No.: 547
2	1 1	482657000	0E5466		Lower spraying arm	- Up to Ser: 028
2	1 -	482740700			Lower spraying arm	- Up to Ser: 028
2	- 1	482741100			Lower spraying arm	H 511, H 512- Up to Ser: 028
2	1 1	RT0057101	0E5995	Braccio lavaggio inf.	Lower spraying arm	H 511, H 512- Up to Ser: 028
3	1 1	482769700	0E5467	Braccio lavaggio sup.	Upper spraying arm	- From Ser: 029...
3	1 1	482657100	0E5468		Upper spraying arm	- From serial No.: 547
3	1 -	W00761900		Braccio di lavaggio sup.sx	Upper spraying arm	- Up to Ser: 028
3	- 1	W00760600		Braccio di lavaggio sup.dx	Upper spraying arm	H 511, H 512
3	1 1	RT0055501	0E5994	Braccio lavaggio sup.	Upper spraying arm	H 511, H 512
3	1 1	835618800		Braccio lavaggio sup.	Upper spraying arm	- Up to Serial No.: 227
4	1 1	W00094402	0E5680	Ass.condotto principale	Main duct	- From Serial No.: 228
5	2 2	W00140701	0E5469	Leva bloccaggio	Lock handle	
6	2 2	57039806	0E5714	Guarnizione	Gasket	- Up to Serial No.: 227
6	2 2	552211000	0E5524	Guarnizione	Gasket	- From Serial No.: 228
7	1 1	482377800	0E5179	Rondella parzializzazione	Shutter Nut	
8	1 1	482500600	0E5471	Supporto lat.sx filtro	Strainer left support	
9	1 1	482500400	0E5472	Filtro vasca	Tank strainer	
10	1 1	482500800	0E5473	Supporto lat.dx filtro	Strainer right support	
11	1 1	482267000	0E5020	Asta troppopieno	Drain lever	
12	1 1	482262800	0E5183	Filtro a cestello	Basket-shaped strainer	
13	1 1	482373200	0E5684	Guida sup.troppopieno	Drain lever upper rail	
14	1 1	482373400	0E5686	Guida sx troppopieno	Drain lever left rail	
15	1 1	482373300	0E5685	Guida dx troppopieno	Drain lever right rail	
16	1 1	740440814	0E0142	O-Ring	O-Ring	
17	1 1	475778300	0E0141	Tappo di scarico	Drain plug	
18	1 1	475812402	0E0010	O-Ring	O-ring	
19	1 1	735313007	0E5152	Fascetta	C-clamp	
20	2 2	477921100	0E5023	Tube aspirazione M900	Suction M900 hose	Up to Serial No.: 227
20	2 2	544632500	0L0038	Tube aspirazione M900	Suction M900 hose	From Serial No.: 228
21	1 1	W00132301	0E2970	Tube	Delivery M900 hose	Up to Serial No.: 227
21	1 1	544631200	0L0077	Tube mandata M900	Delivery M900 hose	From Serial No.: 228
21	1 1	W00784900	036927	Tube mandata M900	Delivery M900 hose	H 511, H 512
22	1 1	482597400	0E2969	Tube a gomito	Elbow	
23	1 1	482509200	0E5335	Pompa	Pump	220-240/380-415V, 50Hz
23	1 1	611622200	0L0039	Pompa	Pump	Up to Serial No.: 227
23	1 1	W00757300		Pompa	Pump	220-240/380-415V, 50Hz
23	1 1	482509201	0E2760	Pompa	Pump	From Serial No.: 228
23	1 1	611622301	0L0172	Pompa	Pump	H 511, H 512
23	1 1	482509202	0E2761	Pompa	Pump	220-230/380-400V, 60Hz
23	1 1	482509203	0E2762	Pompa	Pump	Up to Serial No.: 227
23	1 1	611622401	0L0173	Pompa	Pump	220-230/380-400V, 60Hz
23	1 1	482509204		Pompa	Pump	From Serial No.: 228
23	1 1	482509215	0E2723	Girante	Impeller	200V, 50Hz
23	1 1	482509213	0E2721	Tenuta rotante	Gasket	200V, 60Hz
23	1 1	482509211	0E2916	Ventola	Fan	Up to Serial No.: 227
25	4 4	463977807	0E0129	Ammortizzatore	Shock absorber	Up to Serial No.: 227
25	4 4	463977808	0E5344	Ammortizzatore	Shock absorber	Up to Serial No.: 227

Grassetto = variazioni

Bold Print = changes

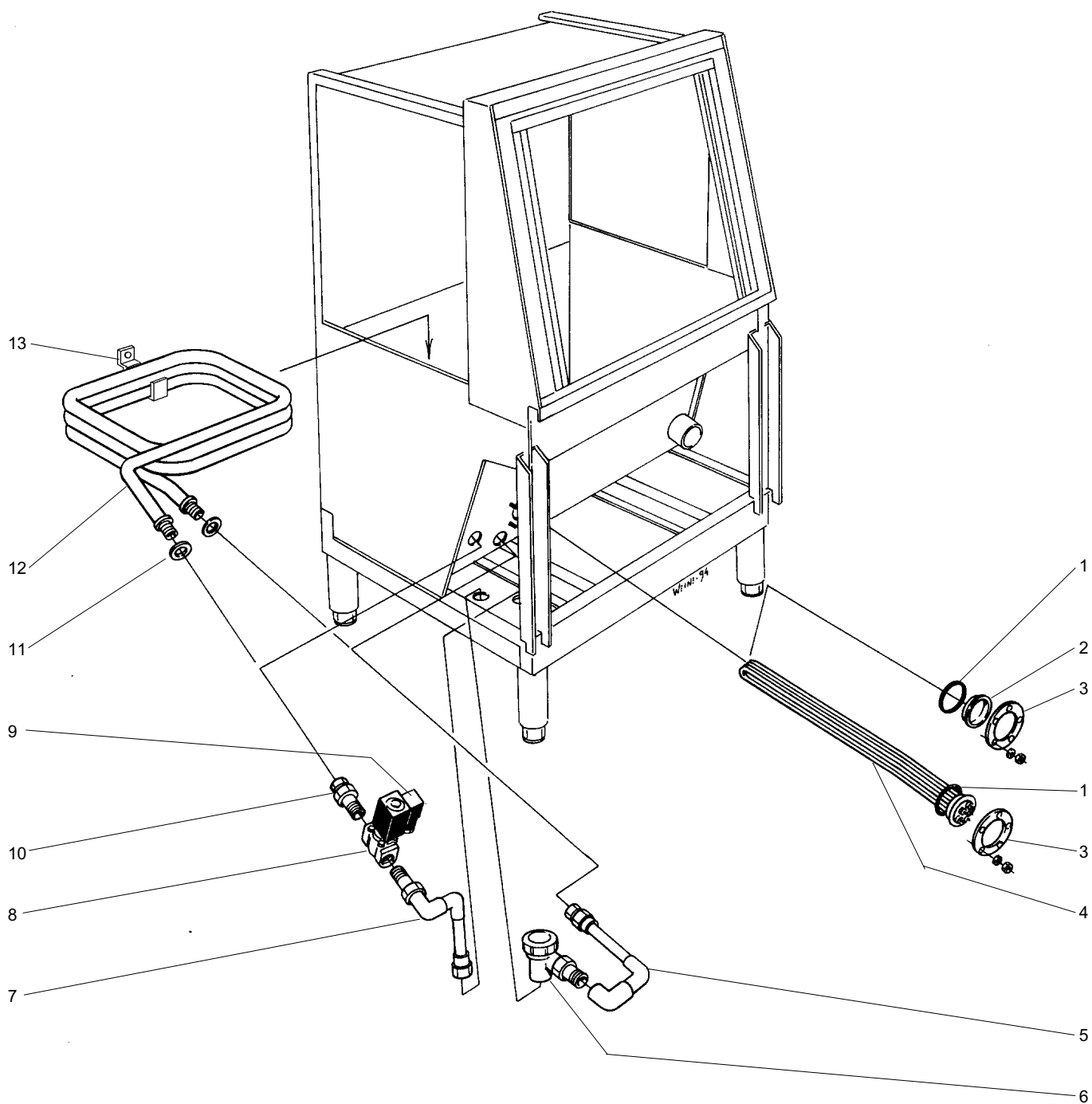


Pos.	Q.tà Q.ty	Art. No	Cod. Ric. Part No	Descrizione	Description	Note Notes
	I I			<b>Macch. con alim. SX</b> <b>Macch. con alim. DX</b>	<b>Left fedded machines</b> <b>Right fedded machines</b>	
26	1 1	482598600	0E5700	Supporto pompa	Pump support	
26	1 1	W00759200		Supporto pompa	Pump support	H 511, H 512
27	1 1	482598500	0E5474	Gomito aspirazione	Suction elbow	
27	1 1	W00798000		Gomito aspirazione	Suction elbow	H 511, H 512
28	2 2	482376500	0E5475	Fissaggio gomito asp.	Suction elbow fixing	
29	1 1	W00248401	0E5476	Crociera aspirazione	Suction filter	
29	1 1	W00759301		Crociera aspirazione	Suction filter	H 511, H 512
30	1 1	482348200	0E5025	Flangia	Flange	
31	1 1	481840006	0E5675	Termometro	Thermometer 3 m	Level 2, WT 95 / WT100
31	1 1	482413203	0E5477	Termometro	Thermometer 3 m	Level 2, Z 180 / Z250
31	1 1	482413303	0E5553	Termometro	Thermometer 3 m	Level 2, RT1800/RT2500/D1700/D1800
31	1 1	482413401	0E5090	Termometro	Thermometer 3 m	Level 2, RT 100 / RT140 Up to serial No.: 227
31	1 1	673606700	049944	Termometro	Thermometer 3 m	Level 2, RT 100 / RT140 From serial No.: 228 (**)
31	1 1	482422302	0E5482	Sensore di temperatura	Temperature sensor	Level 3
32	2 2	482601900	0E5479	Manicotto isolante	Sleeve	
33	1 1	477886900	0E5480	Morsetto	Clamp	
34	1 1	740420900	0E5360	O-Ring	O-Ring	
34	1 1	740420900	0E2836	O-Ring	O-Ring	
35	- 1	877525102	072393	Tubo l= 3,5 mt	Rubber hose	L=1500
35	1 -	877525102	072393	Tubo l= 3,5 mt	Rubber hose	L=2500
36	1 1	542601001	0H2542	Tubo per aria	Air hose	
39	1 1	482615100	0E5481	Squadretta	Clamp	
42	1 1	475770402	0E5032	Termostato	Thermostat	Level 1, Level 2
43	1 1	477739400	0E0112	Guarnizione	Gasket	
44	1 1	482414700	0E5102	Scarico	Drain pipe	
45	1 1	475778400	0E0113	Piletta	Drain pipe connection	
46	1 1	482633900	0E5483	Squadretta	Clamp	
46	1 1	482739800	0E2332	Supporto	Support	From serial No.: 517
46	1 1	W00366901	049968	Supporto	Support	From serial No.: 228
47	1 1	552212700	0E5185	Interruttore	Magnetic switch	
47	1 1	476066400	0E0003	Interruttore	Magnetic switch	From serial No.: 517
47	1 1	654600400	049967	Interruttore	Magnetic switch	From serial No.: 228
48	1 1	482633900	0E5483	Squadretta	Clamp	
48	1 1	482739700	0E2330	Supporto	Support	From serial No.: 521
48	1 1	W00366801	049971	Supporto	Support	From serial No.: 228
49	1 1	552212702	0E2185	Microinterruttore	Micromagnetic switch	
49	1 1	476013602	0E0006	Interruttore	Magnetic switch	From serial No.: 517 Up to serial No.: 227
49	1 1	654600600	049970	Interruttore	Magnetic switch	From serial No.: 228
50	1 1	461137802	0E0102	Magnete	Magnet	Up to serial No.: 227
50	1 1	699604200	088361	Magnete	Magnet	From serial No.: 228
51	1 1	482631100	0E5484	Leva	Lever	
52	1 1	482632000	0E5485	Perno	Pivot	
53	1 1	482771000	0E5486	Tendina	Curtain	From serial No.: 538 11 902
53	1 1	482346100	0E5277	Tendina	Curtain	
54	1 1	482760300	0E5487	Perno	Shaft, curtain	From serial No.: 538 11 902
55	1 1	246077000	0E5488	Guarnizione	Gasket	
<b>56</b>	<b>1 1</b>	<b>552217300</b>	<b>0E5489</b>	<b>Raccordo angolare</b>	<b>Hosenipple, angle</b>	<b>15x1/2" - Up to ser.: 447</b>
<b>56</b>	<b>1 1</b>	<b>511619900</b>	<b>0L0653</b>	<b>Raccordo angolare</b>	<b>Hosenipple, angle</b>	<b>15x1/2" - From ser.: 448</b>
57	X X	552001100	0E5121	Tubo mt.1	Hose	Up to Serial No.: 227
57	X X	140066039	048531	Tubo mt.1	Hose	From Serial No.: 228
58	1 1	482635100	0E5490	Paraspruzzi	Splashguard	
59	1 1	741111324	0E5424	Dado	Nut	
62	1 1	482345000	0E5160	Aggancio tendina	Curtain support	

Grassetto = variazioni

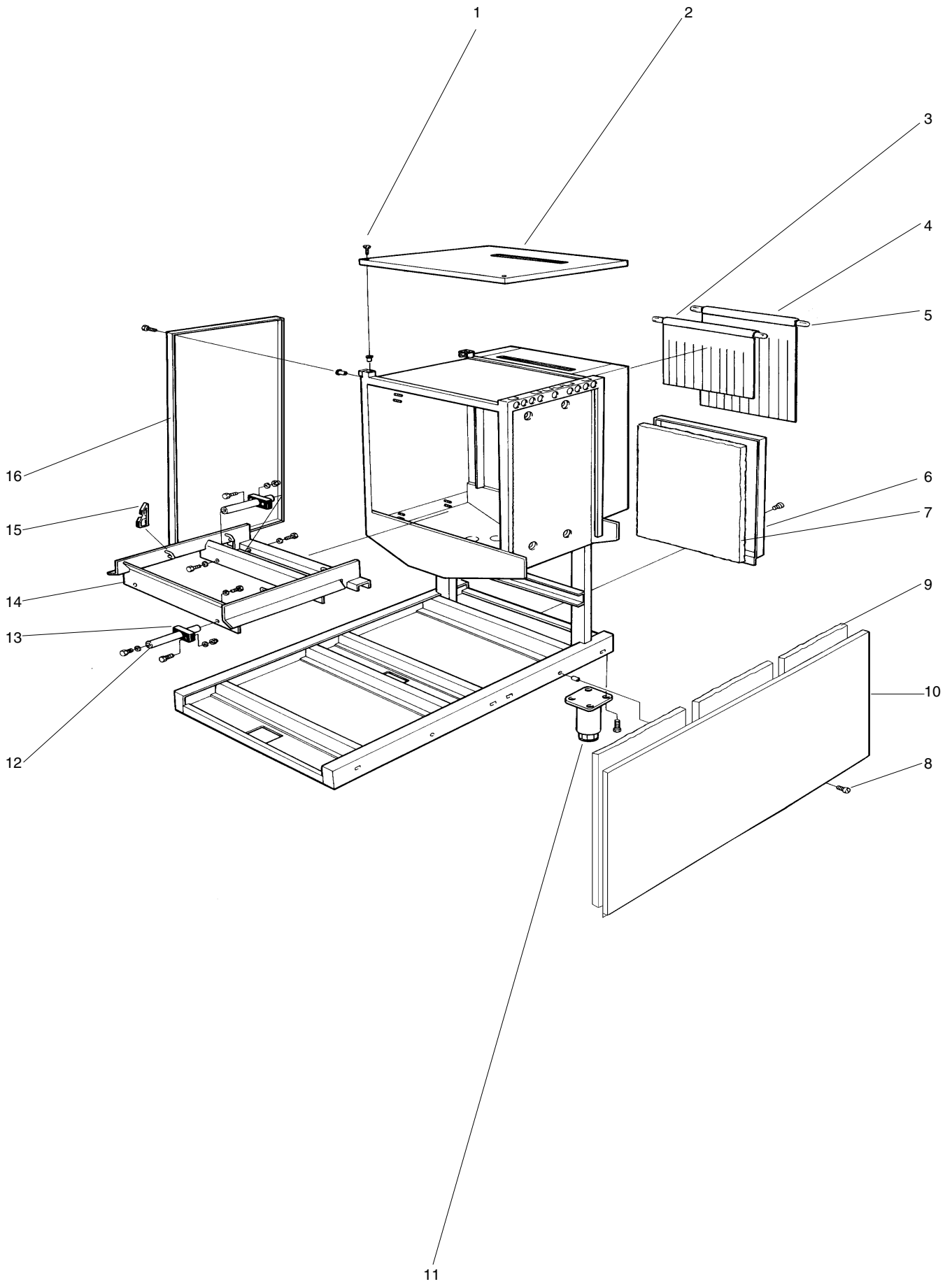
Bold Print = changes

(\*\*) = Dalla ser. 351 disponibile anche 0L0500 sonda da 5 m.  
From ser. 351 available also 0L0500 probe 5 m long.



Pos.	Q.tà Q.ty	Art. No	Cod. Ric. Part No	Descrizione	Description	Note Notes
1	1	740483105	0E5037	Guarnizione	O-ring	56,5 x 5,3
2	1	482479400	0E5491	Boccola	Lid	
3	1	478085900	0E5492	Flangia	Heating element flange	
4	1	482406400	0E5162	Resistenza	Heating element, 12 kW	220-240/380-415V
4	1	482406401	0E5163	Resistenza	Heating element, 9 kW	220-240/380-415V
4	1	482406402	0E5161	Resistenza	Heating element, 7,5 kW	220-240/380-415V
4	1	482406410			Heating element, 12 kW	200-210V
4	1	482406411			Heating element, 9 kW	200-210V
4	1	482406412			Heating element, 7,5 kW	200-210V
4	1	482406420			Heating element, 12 kW	255/440V
4	1	482406421			Heating element, 9 kW	255/440V
4	1	482406422			Heating element, 7,5 kW	255/440V
5	1	482690500	0E5493	Tubo compl.	Pipe cpl.	
6	1	63797401	0E0153	Scaricatore	Steam trap	
7	1	482690400	0E5494	Ass.me tubo	Pipe cpl.	
8	1	482174003	0E2200	Elettrovalvola	Solenoid valve	50 Hz
8	1	482174006	0E2280	Elettrovalvola	Solenoid valve	60 Hz
9	1	463970000	0E0121	Attacco	Cable terminal	
10	1	63597003	0H2583		Joint	
11	2	552211004	0E2240	Guarnizione	Gasket	34 / 27 x 1,5
12	1	482479600	0E5358	Serpentina vapore	Steam coil	
13	1	482738000	0E5496	Supporto	Holder	

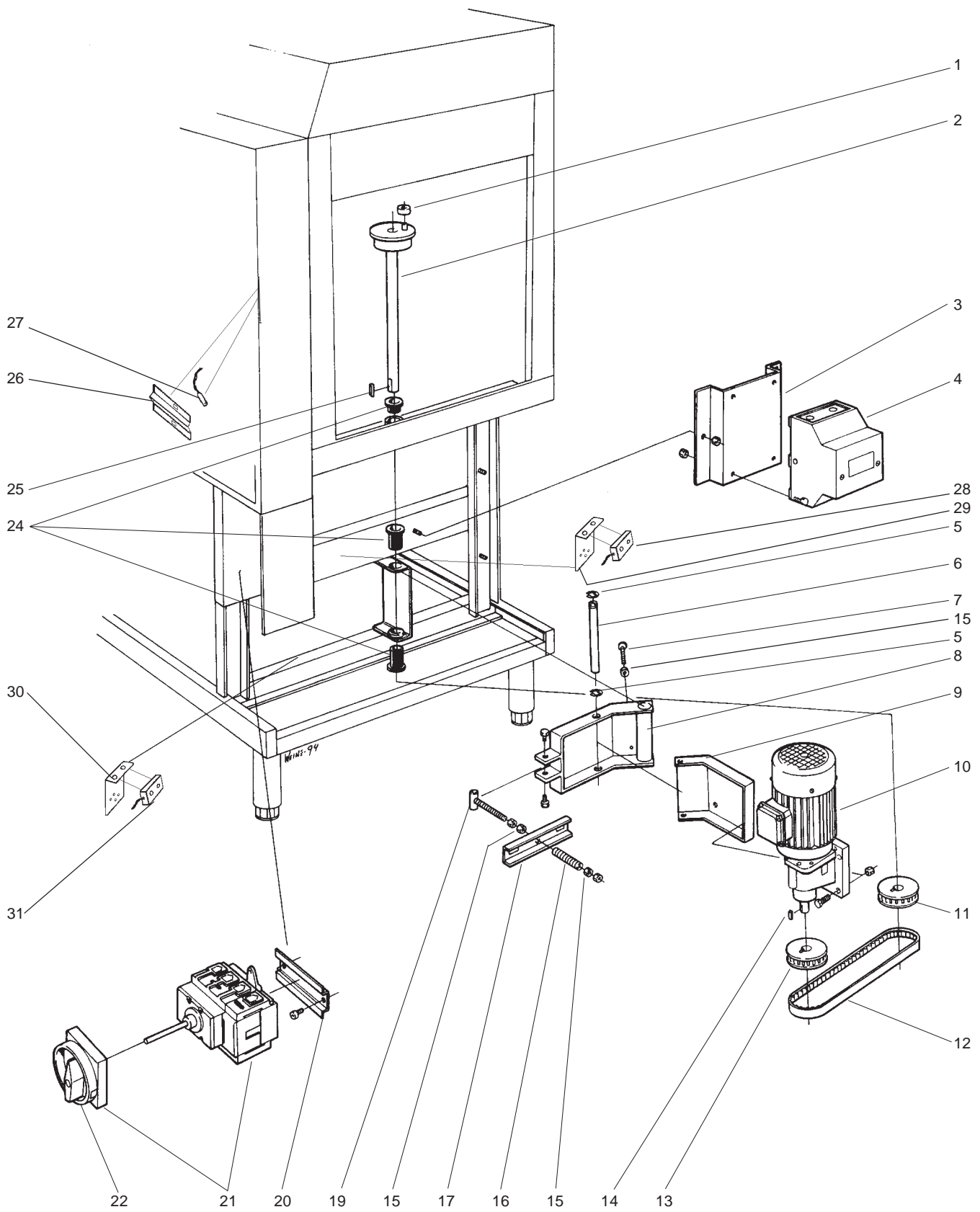
Grassetto = variazioni  
Bold Print = changes



Pos.	Q.tà Q.ty	Art. No	Cod. Ric. Part No	Descrizione	Description	Note Notes
	I I			<b>Coibentata</b> <b>Non coibentata</b>	<b>Insulated</b> <b>Uninsulated</b>	
1	2 2	478566400			Screw	LKCS 5x20 1
2	1 1	482607000	0E5497	Pannello superiore	Top plate	
3	1 1	482346000	0E5038	Tendina	Curtain	4).
3	1 1	482760100	0E2729	Tendina	Curtain	3).4).
4	1 1	482346100	0E5277	Tendina	Curtain	4).
4	1 1	482760000	0E2728	Tendina	Curtain	3).4).
5	2 2	482760300	0E5487	Perno	Shaft, curtain	3).4).
6	1 1	482600600	0E5459	Pannello frontale	Side plate	1).
6	1 1	482600700	0E5460	Pannello frontale	Side plate	2).
7	1 -	482425902	0E5498		Insulation	
8	X X	478566403	0H2300		Schrew	
9	3 -	482425903	0E5456	Pannello isolante	Insulation	
10	1 1	482600100	0E5052	Pannello frontale	Front plate	
<b>10</b>	<b>1 1</b>	<b>W00791500</b>	<b>0L0356</b>	<b>Pannello frontale SX</b>	<b>Left front panel</b>	<b>1). 5). - Up to ser. nr. 322</b>
<b>10</b>	<b>1 1</b>	<b>W00791501</b>	<b>0L0357</b>	<b>Pannello frontale SX</b>	<b>Left front panel</b>	<b>1). 5). - From ser. nr. 323</b>
<b>10</b>	<b>1 1</b>	<b>W00791600</b>	<b>0L0358</b>	<b>Pannello frontale DX</b>	<b>Right front panel</b>	<b>2). 5). - Up to ser. nr. 322</b>
<b>10</b>	<b>1 1</b>	<b>W00791601</b>	<b>0L0359</b>	<b>Pannello frontale DX</b>	<b>Right front panel</b>	<b>2). 5). - From ser. nr. 323</b>
11	2 2	482255200	0E5009	Gamba	Leg	
12	4 4	482349500	0E5005	Albero	Shaft	
13	4 4	482257600	0E5006	Guida	Slide shoe	
14	1 1	482374500	0E5687		Feeding ladder	
15	4 4	482252100	0E5007	Supporto	Carrier	
16	1 1	482600500	0E5499	Pannello posteriore	Rear plate	

- 1). Macchine con alimentazione SX / Left feeded machines
- 2). Macchine con alimentazione DX / Right feeded machines
- 3). Da Ser. Nr.: 538 11 902 / From serial no.: 538 11 902
- 4). Macchine con ESD / Machine with ESD
- 5). RTXXX Liv. 3 e WTXXX tranne WT95 / RTXXX Liv. 3 and WTXXX except WT95

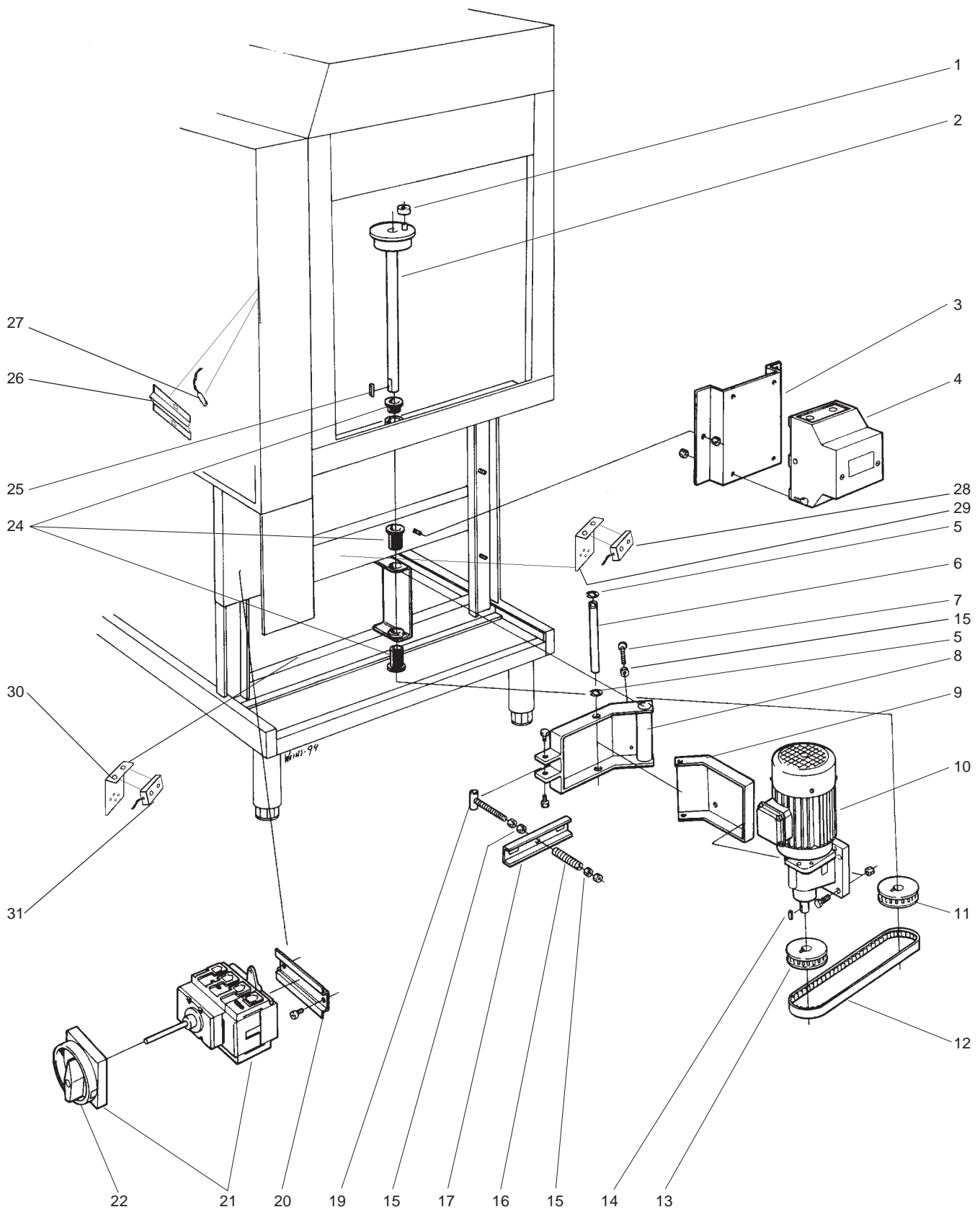
**Grassetto = variazioni**  
**Bold Print = changes**



Pos.	Q.tà Q.ty	Art. No	Cod. Ric. Part No	Descrizione	Description	Note Notes
	[ [ [			<b>1 - Vasca</b> <b>2 - Vasche</b> <b>3 - Vasche</b>	<b>1 - Tank</b> <b>2 - Tanks</b> <b>3 - Tanks</b>	
1	1 1 1	477644300	0E5046	Puleggia	Pulley	
2	1 1 1	482442400	0E5145	Albero	Shaft	
3	1 1 1	482524700	0E5697	Supporto trasformatore	Transformer support	
4	1 - -	482422000	0E5247	Trasformatore, 150VA	Transformer	220-240/380-415V Up to Serial No.: 227
4	1 - -	624604200	0L0073	Trasformatore, 160VA	Transformer, 230-24V	From Ser. No.: 228
4	- 1 -	482422002	0E5104	Trasformatore, 300VA	Transformer	220-240/380-415V Up to Serial No.: 227
4	- - 1	482422003	0E5110	Trasformatore	Transformer, 480VA	220-240/380-415V Up to Serial No.: 227
4	- 1 1	624604300	0L0074	Trasformatore	Transformer, 400VA	230/24V From Ser. No.: 228
4	1 - -	482422004		Trasformatore 150VA	Transformer, 150VA	200-210V
4	- 1 -	482422006		Trasformatore 300VA	Transformer, 300VA	200-210V
4	- - 1	482422007		Trasformatore 480VA	Transformer, 480VA	200-210V
4	1 - -	482422008		Trasformatore 150VA	Transformer, 150VA	255-440V
4	- 1 -	482422010		Trasformatore 300 VA	Transformer, 300VA	255-440V
4	- - 1	482422011		Trasformatore 480 VA	Transformer, 480VA	255-440V
5	2 2 2	735311207	0E5500	Anello Seeger	Seeger	
6	1 1 1	482507800	0E5693	Perno motoriduttore	Shaft	
7	1 1 1	W00517000	0K8924	Vite	Screw	M6S 8x90
8	1 1 1	482507000	0E5782	Assieme supporto	Support assembly	
9	1 1 1	482615000	0E5705	Leva di sicurezza	Safety lever	
10	1 - -	482718000	0E5350	Motoriduttore	Gear motor	220-240/380-415V, 1).
10	1 1 -	482718001	0E5351	Motoriduttore	Gear motor	380-440V, 2). 3).
10	1 - -	482718001	0E5351	Motoriduttore	Gear motor	380-440V, 2). 4).
10	- - 1	482718002	0E5352	Motoriduttore	Gear motor	380-440V, 2). 3).
10	- 1 1	482718002	0E5352	Motoriduttore	Gear motor	380-440V, 2). 4). 5).
10	1 1 -	482718003	0E5353	Motoriduttore	Gear motor	220-254V, 2). 3).
10	1 - -	482718003	0E5353	Motoriduttore	Gear motor	220-254V, 2). 4).
10	- - 1	482718004	0E5354	Motoriduttore	Gear motor	220-254V, 2). 3).
10	- 1 1	482718004	0E5354	Motoriduttore	Gear motor	220-254V, 2). 4).
10	1 1 -	482718008	0E5356	Motoriduttore	Gear motor	200-210V, 2). 3).
10	1 - -	482718008	0E5356	Motoriduttore	Gear motor	200-210V, 2). 4).
10	- - 1	482718009	0E5357	Motoriduttore	Gear motor	200-210V, 2). 3).
10	- 1 1	482718009	0E5357	Motoriduttore	Gear motor	200-210V, 2). 4).
11	1 1 1	482376025	0E5147	Puleggia	Gear wheel, 25 teeth	
11	1 1 1	482376027	0E5049	Puleggia	Gear wheel, 27 teeth	
11	1 1 1	482376030	0E5146	Puleggia	Gear wheel, 30 teeth	
11	1 1 1	482376032	0E5051	Puleggia	Gear wheel, 32 teeth	
12	1 1 1	482376101	0E5050	Cinghia dentata	Toothed belt	
13	1 1 1	482376020	0E5502	Ruota dentata	Gear wheel, 20 teeth	
13	1 1 1	482376024	0E5503	Ruota dentata	Gear wheel, 24 teeth	
13	1 1 1	482376025	0E5147	Puleggia	Gear wheel, 25 teeth	
13	1 1 1	482376030	0E5146	Puleggia	Gear wheel, 30 teeth	
14	1 1 1	735923240	0E5048	Linguetta	Tongue	
15	2 2 2	W00501500	0E5063	Dado	Nut	M6MF 8
16	1 1 1	482347400	0E5189	Molla	Spring	
17	1 1 1	482442600	0E5689	Arresto	Stop	
19	1 1 1	482348900	0E5042	Supporto molla	Spring support	
20	1 1 1	475937608	0E5504	Guida	Rail	
21	1 1 1	482522200	0E5346	Interruttore	Main switch 40 A	- Up to Ser: 028
<b>21</b>	<b>1 1 1</b>	<b>W00497000</b>	<b>0E5931</b>	<b>Interruttore</b>	<b>Main switch 40 A</b>	<b>- From Ser: 029</b>
<b>21</b>	<b>1 1 1</b>	<b>640612400</b>	<b>0L0362</b>	<b>Interruttore</b>	<b>Main switch 40 A</b>	<b>- Up to ser.: 322</b> <b>- From Ser: 323</b>

- 1). Livello 1 / Level 1    2). Livello 2 - 3 / Level 2 - 3    2.1). Livello 3 / Level 3  
3). WT95 - 100 - 150 - 200 / D1700 - 1800 - 2700 - 3600 / H 511 - 512 - 522  
4). RT100 - 140 - 190 - 270 / Z180 - 250 - 340 - 480 / RT1800 - 2500 - 3400 - 4800  
LV1800 - LV3400 - LV4800    5). LV3000

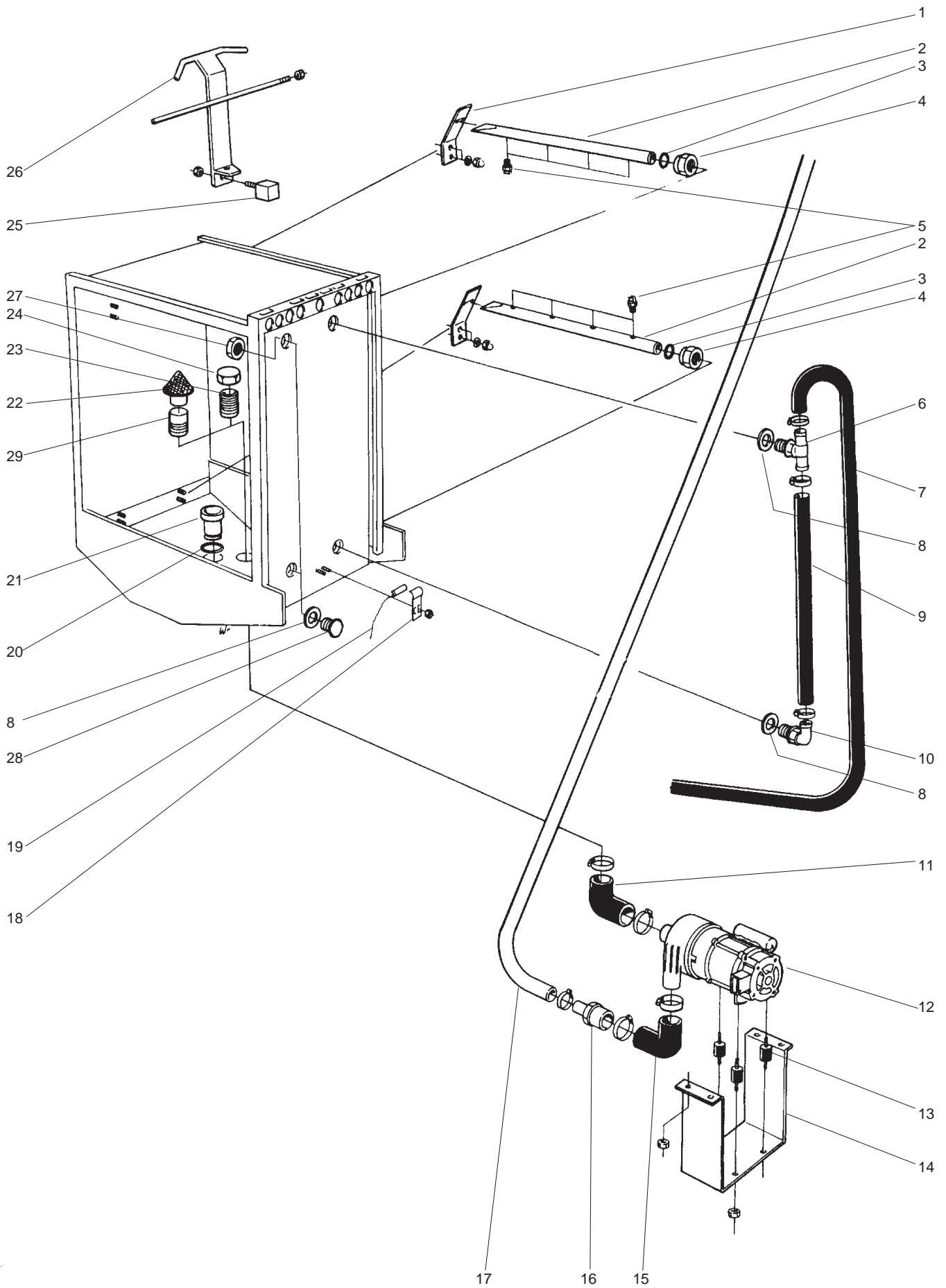
Grassetto = variazioni  
Bold Print = changes



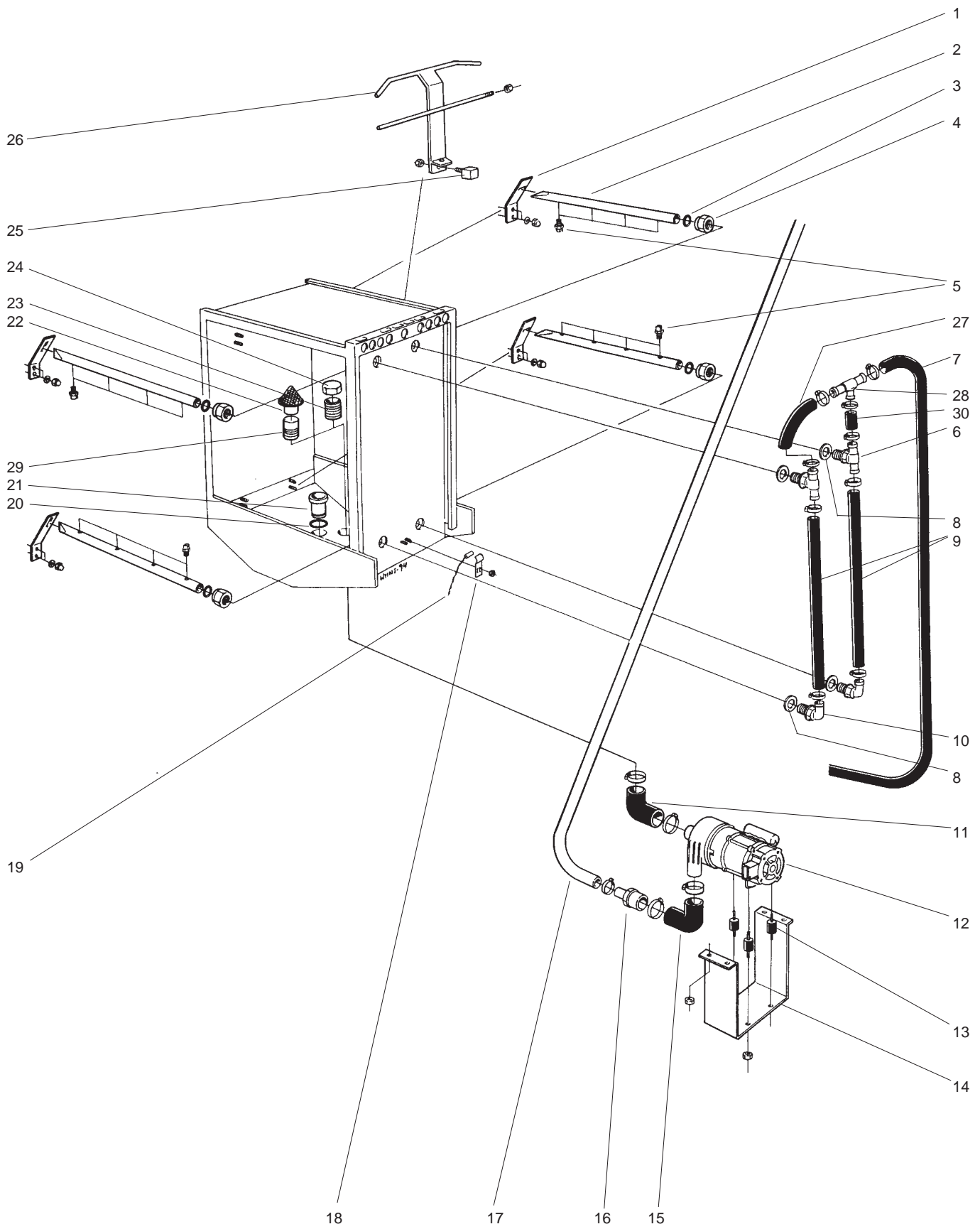
Pos.	Q.tà Q.ty	Art. No	Cod. Ric. Part No	Descrizione	Description	Note Notes
	[ [ [			1 - Vasca 2 - Vasche 3 - Vasche	1 - Tank 2 - Tanks 3 - Tanks	
21	1 1 1	482522300	0E5347	Interruttore	Main switch 80 A	- Up to Ser: 028
<b>21</b>	<b>1 1 1</b>	<b>W00497100</b>	<b>0E5922</b>	<b>Interruttore</b>	<b>Main switch 80 A</b>	- From Ser: <b>029</b> - Up to ser.: <b>322</b>
<b>21</b>	<b>1 1 1</b>	<b>640612400</b>	<b>0L0362</b>	<b>Interruttore</b>	<b>Main switch 40 A</b>	- From Ser: <b>323</b>
21	1 1 1	482522400	0E5348	Interruttore	Main switch 125 A	- Up to Ser: 028
<b>21</b>	<b>1 1 1</b>	<b>W00497200</b>	<b>0E5813</b>	<b>Interruttore</b>	<b>Main switch 125 A</b>	- From Ser: <b>029</b> - Up to ser.: <b>322</b>
<b>21</b>	<b>1 1 1</b>	<b>640612500</b>	<b>0L0363</b>	<b>Interruttore</b>	<b>Main switch 40 A</b>	- From Ser: <b>323</b>
<b>22</b>	<b>1 1 1</b>	<b>640612700</b>	<b>0L0698</b>	<b>Manopola interruttore</b>	<b>Main switch knob</b>	
24	3 3 3	482376900	0E5043	Bussola	Flange bushing	
25	2 2 2	735923240	0E5048	Cuneo	Wedge	6x6x25
26	1 1 1	482633900	0E5483	Squadretta	Clamp	
26	1 1 1	482739700	0E2330	Squadretta	Clamp	From serial No.: 521
26	1 1 1	W00366801	049971	Squadretta	Clamp	From serial No.: 228
27	1 1 1	552212702	0E2185	Microinterruttore	Micromagnetic switch	
27	1 1 1	476013602	0E0006	Interruttore	Magnetic switch	From serial No.: 517 Up to serial No.: 227 From serial No.: 228
27	1 1 1	654600600	049970	Interruttore	Magnetic switch	
28	1 1 1	552212700	0E5185	Interruttore	Magnetic switch	2.1).
28	1 1 1	476066400	0E0003	Interruttore	Magnetic switch	2.1). From serial No.: 517
28	1 1 1	654600400	049967	Interruttore	Magnetic switch	2.1). From serial No.: 228
29	1 1 1	482633900	0E5483	Squadretta	Clamp	
29	1 1 1	482739800	0E2332	Supporto	Support	From serial No.: 517
29	1 1 1	W00168901		Supporto	Support	From serial No.: 228
30	1 1 1	W00204600		Squadretta	Clamp	
31	1 1 1	W00022800	0E0209	Microinterruttore S11	Micromagnetic switch S11	

- 1). Livello 1 / Level 1    2). Livello 2 - 3 / Level 2 - 3    2.1). Livello 3 / Level 3  
3). WT95 - 100 - 150 - 200 / D1700 - 1800 - 2700 - 3600 / H 511 - 512 - 522  
4). RT100 - 140 - 190 - 270 / Z180 - 250 - 340 - 480 / RT1800 - 2500 - 3400 - 4800  
LV1800 - LV3400 - LV4800    5). LV3000

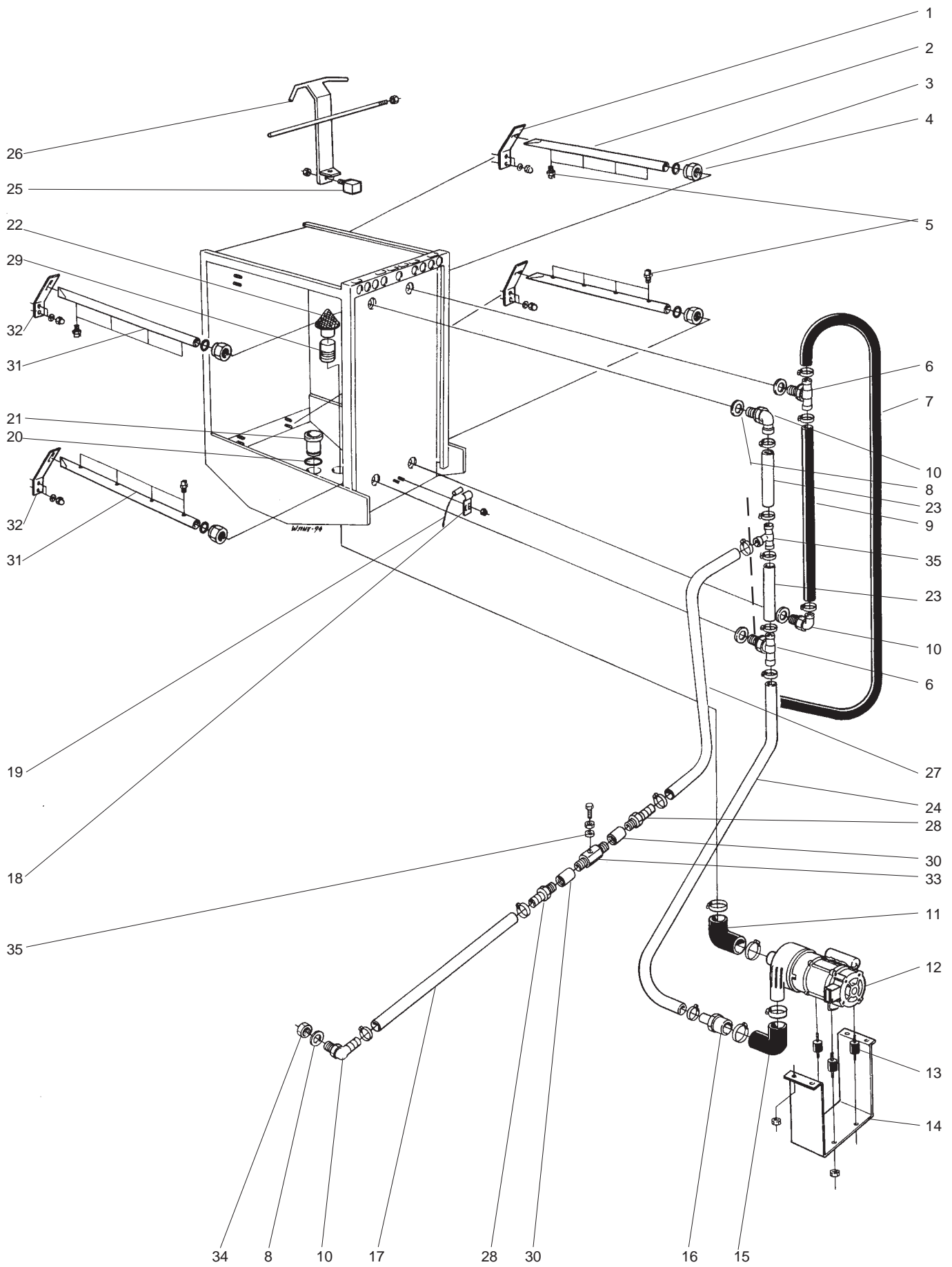
Grassetto = variazioni  
Bold Print = changes



Pos.	Q.tà Q.ty	Art. No	Cod. Ric. Part No	Descrizione	Description	Note Notes
				Senza ESD	Without ESD	
				Con ESD	With ESD	
1	2 2	482342700	0E5505	Molla	Spray tube spring	
2	2 2	482660100	0E5506	Tubo risciacquo	Spraying tube	
3	2 2	740431514	0E5118	Anello	O-ring	
4	2 2	482660099	0E5507	Dado blocc. risciacquo	Rinse arm locking nut	
5	8 8	482425700	0E5148	Ugello	Nozzle	Nr. 9504
5	8 8	482425701	0E5101	Ugello	Nozzle	Nr. 9505
5	8 8	482425702	0E5107	Ugello	Nozzle	Nr. 9506
6	1 1	W00504700	0E5508	Nipplo	Nipple	15x1/2" - Up to ser.: 447
6	1 1	511619800	0L0652	Nipplo	Nipple	15x1/2" - From ser.: 448
7	1 1	552001300	0E5509	Tubo mt.1	Hose	1/2"
8	4 4	552211003	0E5122	Guarnizione	Gasket	
9	1 1	552001300	0E5509	Tubo mt.1	Hose	1/2"
10	1 1	W00504600	0E5510	Nipplo	Nipple	15x1/2" - Up to ser.: 447
10	1 1	511619900	0L0653	Nipplo	Nipple	15x1/2" - From ser.: 448
11	- 1	482525800	0E5511	Tubo aspirazione	Suction hose	Up to Serial No.: 227
11	- 1	544631500	0E6011	Tubo aspirazione	Suction hose	From Serial No.: 228
12	1 1	482509300	0E2746	Pompa	Pump	220-240/380-415V, 50Hz
<b>12</b>	<b>1 1</b>	<b>611617901</b>	<b>049310</b>	<b>Pompa</b>	<b>Pump 220-240V, 50Hz</b>	<b>Up to Serial No.: 227</b>
<b>12</b>	<b>1 1</b>	<b>611632400</b>	<b>0L1104</b>	<b>Pompa</b>	<b>Pump 220-240V, 50Hz</b>	<b>From Serial No.: 228</b>
12	1 1	482509301	0E2763	Pompa	Pump	<b>Up to Serial No.: 607</b> 220-230/380-400V, 60Hz
<b>12</b>	<b>1 1</b>	<b>611618001</b>	<b>049612</b>	<b>Pompa</b>	<b>Pump 220-240V, 60Hz</b>	<b>Up to Serial No.: 227</b>
<b>12</b>	<b>1 1</b>	<b>611632500</b>	<b>0L1111</b>	<b>Pompa</b>	<b>Pump 220-240V, 60Hz</b>	<b>From serial No.: 228</b>
12	1 1	482509303	0E2765	Pompa	Pump	<b>Up to Serial No.: 607</b> 200V, 60Hz
<b>12</b>	<b>1 1</b>	<b>611622500</b>	<b>0L0020</b>	<b>Pompa</b>	<b>Pump 200V, 60Hz</b>	<b>From Serial No.: 608</b>
<b>12</b>	<b>1 1</b>	<b>611633000</b>	<b>0L1110</b>	<b>Pompa</b>	<b>Pump 200V, 60Hz</b>	<b>Up to Serial No.: 607</b>
<b>12</b>	<b>1 1</b>	<b>611632600</b>	<b>0L1112</b>	<b>Pompa</b>	<b>Pump 400V, 50Hz</b>	<b>From Serial No.: 608</b>
<b>12</b>	<b>1 1</b>	<b>611632700</b>	<b>0L1113</b>	<b>Pompa</b>	<b>Pump 400V, 60Hz</b>	<b>From Serial No.: 608</b>
<b>12</b>	<b>1 1</b>	<b>611632800</b>	<b>0L1109</b>	<b>Pompa</b>	<b>Pump 440V, 60Hz</b>	<b>From Serial No.: 608</b>
<b>12</b>	<b>1 1</b>	<b>611632900</b>	<b>0L1114</b>	<b>Pompa</b>	<b>Pump 440V, 50Hz</b>	<b>From Serial No.: 608</b>
12	1 1	482509315	0E2755	Girante	Impeller	Up to Serial No.: 227
12	1 1	482509313	0E2754	Tenuta rotante	Gasket	Up to Serial No.: 227
12	1 1	482509311	0E2752	Ventola	Fan	Up to Serial No.: 227
13	- 3	463977806	0E2251	Ammortizzatore	Shock absorber	Up to Serial No.: 227
14	- 1	482513500	0E5696	Supporto pompa	Pump support	Up to Serial No.: 227
14	- 1	W00190401	0L0144	Supporto pompa	Pump support	From Serial No.: 228
15	- 1	482525700	0E5512	Tubo mandata	Delivery elbow	Up to Serial No.: 227
15	- 1	140066100	049773	Tubo mandata	Delivery elbow	From Serial No.: 228
16	- 1	552215900	0E5513	Nipplo	Nipple	Up to Serial No.: 227
16	- 1	552214021	0E2895	Nipplo	Nipple	From Serial No.: 228
17	- 1	552001100	0E5121	Tubo mt.1	Hose	1/2"
18	1 1	552213011	0E5514	Supporto sens.magnetico	Magnetic switch holder	
18	1 1	482739700	0E2330	Supporto sens.magnetico	Magnetic switch holder	Up to Serial No.: 227
18	1 1	W00366801	049971	Supp. sens.magnetico	Magnetic switch holder	From Ser.No.: 228
19	1 1	552212702	0E2185	Microinterruttore	Magnetic switch	
19	1 1	482744000	0E2321	Microinterruttore	Magnetic switch	Up to Serial No.: 227
19	1 1	654600600	049970	Microinterruttore	Magnetic switch	From Serial No.: 228
20	1 1	478030300	0E5062	O-Ring	O-Ring	
21	1 1	482257000	0E5149	Troppo pieno	Overflow	
22	- 1	482346300	0E5186	Filtro DUO	DUO strainer	
23	1 -	741311620	0E5515	Nipplo	Nipple	
24	1 -	741611624	0E5016	Tappo	Plug	
25	1 1	699604200	088361	Magnete	Magnet	
26	1 1	48266002800	0E5516	Supporto magnete	Magnet holder	1).
26	1 1	48266002900	0E5517	Supporto magnete	Magnet holder	2).
27	2 2	741111324	0E5424	Dado	Nut	1/2"
28	2 2	741521324	0E5462	Tappo	Plug	1/2"
29	- 1	482265300	0E5518	Troppo pieno DUO	DUO strainer hub	

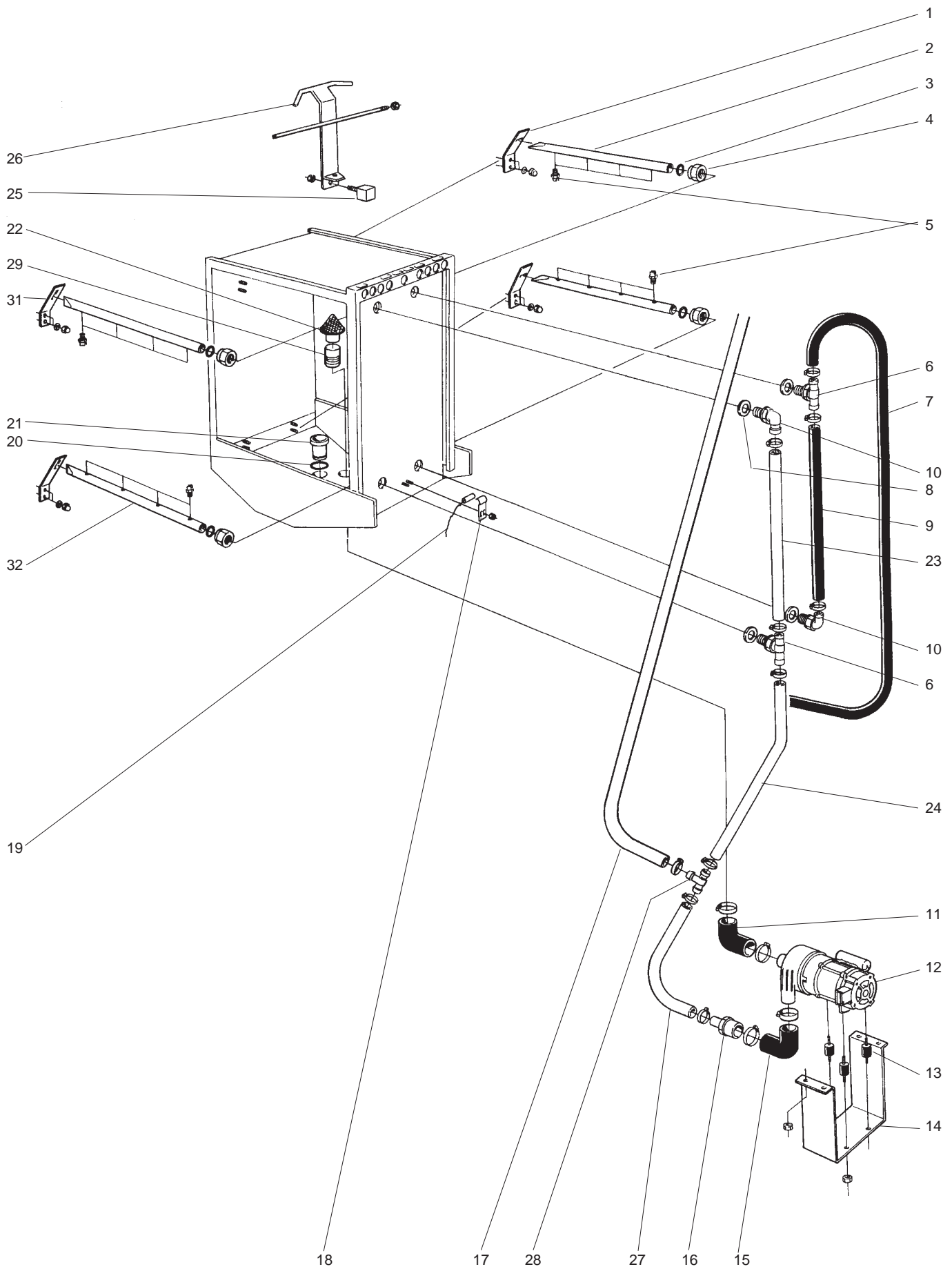


Pos.	Q.tà Q.ty	Art. No	Cod. Ric. Part No	Descrizione	Description	Note Notes
	[			SenzaESD	Without ESD	
	[			Con ESD	With ESD	
1	4 4	482342700	0E5505	Molla	Spray tube spring	
2	4 4	48266010000	0E5506	Tubo risciacquo	Spraying tube	
3	4 4	740431514	0E5118	Anello	O-ring	
4	4 4	48266009900	0E5507	Boccola	Spraying tube sleeve	
5	16 16	482425700	0E5148	Ugello	Nozzle	Nr. 9504
5	16 16	482425701	0E5101	Ugello	Nozzle	Nr. 9505
5	16 16	482425702	0E5107	Ugello	Nozzle	Nr. 9506
6	2 2	W00504700	0E5508	Nipplo	Nipple	15x1/2" - Up to ser.: 447
6	2 2	511619800	0L0652	Nipplo	Nipple	15x1/2" - From ser.: 448
7	1 1	552001300	0E5509	Tubo mt.1	Hose	1/2"
8	4 4	552211003	0E5122	Guarnizione	Gasket	
9	2 2	552001300	0E5509	Tubo mt.1	Hose	1/2"
10	2 2	W00504600	0E5510	Nipplo	Nipple	15x1/2" - Up to ser.: 447
10	2 2	511619900	0L0653	Nipplo	Nipple	15x1/2" - From ser.: 448
11	- 1	482525800	0E5511	Tubo aspirazione	Suction Hose	Up to Serial No.: 227
11	- 1	544631500	0E6011	Tubo aspirazione	Suction hose	From Serial No.: 228
12	1 1	482509300	0E2746	Pompa	Pump	220-240/380-415V, 50Hz
<b>12</b>	<b>1 1</b>	<b>611617901</b>	<b>049310</b>	<b>Pompa</b>	<b>Pump 220-240V, 50Hz</b>	Up to Serial No.: 227
<b>12</b>	<b>1 1</b>	<b>611632400</b>	<b>0L1104</b>	<b>Pompa</b>	<b>Pump 220-240V, 50Hz</b>	<b>From Serial No.: 228</b>
12	1 1	482509301	0E2763	Pompa	Pump	<b>Up to Serial No.: 607</b>
						<b>From Serial No.: 608</b>
<b>12</b>	<b>1 1</b>	<b>611618001</b>	<b>049612</b>	<b>Pompa</b>	<b>Pump 220-240V, 60Hz</b>	220-230/380-400V, 60Hz
						Up to Serial No.: 227
<b>12</b>	<b>1 1</b>	<b>611632500</b>	<b>0L1111</b>	<b>Pompa</b>	<b>Pump 220-240V, 60Hz</b>	<b>From Serial No.: 228</b>
12	1 1	482509303	0E2765	Pompa	Pump 200V, 60Hz	<b>Up to Serial No.: 607</b>
<b>12</b>	<b>1 1</b>	<b>611622500</b>	<b>0L0020</b>	<b>Pompa</b>	<b>Pump 200V, 60Hz</b>	<b>From Serial No.: 228</b>
<b>12</b>	<b>1 1</b>	<b>611633000</b>	<b>0L1110</b>	<b>Pompa</b>	<b>Pump 200V, 60Hz</b>	<b>From Serial No.: 608</b>
<b>12</b>	<b>1 1</b>	<b>611632600</b>	<b>0L1112</b>	<b>Pompa</b>	<b>Pump 400V, 50Hz</b>	<b>From Serial No.: 608</b>
<b>12</b>	<b>1 1</b>	<b>611632700</b>	<b>0L1113</b>	<b>Pompa</b>	<b>Pump 400V, 60Hz</b>	<b>From Serial No.: 608</b>
<b>12</b>	<b>1 1</b>	<b>611632800</b>	<b>0L1109</b>	<b>Pompa</b>	<b>Pump 440V, 60Hz</b>	<b>From Serial No.: 608</b>
<b>12</b>	<b>1 1</b>	<b>611632900</b>	<b>0L1114</b>	<b>Pompa</b>	<b>Pump 440V, 50Hz</b>	<b>From Serial No.: 608</b>
12	1 1	482509304	0E5674	Pompa	Pump 255/440V, 60Hz	Up to Serial No.: 227
12	1 1	611622600	0L0589	Pompa	Pump 255V, 60Hz	From Serial No.: 228
12	1 1	482509315	0E2755	Girante	Impeller	Up to Serial No.: 227
12	1 1	482509313	0E2754	Tenuta rotante	Gasket	Up to Serial No.: 227
12	1 1	482509311	0E2752	Ventola	Fan	Up to Serial No.: 227
13	- 3	463977806	0E2251	Ammortizzatore	Absorber	Up to Serial No.: 227
14	- 1	482513500	0E5696	Supporto pompa	Pump bracket	Up to Serial No.: 227
14	- 1	W00190401	0L0144	Supporto pompa	Pump support	From Serial No.: 228
15	- 1	482525700	0E5512	Tubo mandata	Delivery elbow	Up to Serial No.: 227
15	- 1	140066100	049773	Tubo mandata	Delivery elbow	From Serial No.: 228
16	- 1	552215900	0E5513	Nipplo	Nipple	Up to Serial No.: 227
16	- 1	552214021	0E2895	Nipplo	Nipple	From Serial No.: 228
17	- 1	552001100	0E5121	Tubo mt.1	Hose	1/2"
18	1 1	552213011	0E5514	Supporto	Magnetic switch holder	
18	1 1	482739700	0E2330	Supp. sens. magnetico	Magnetic switch holder	3). - Up to Serial No.: 227
18	1 1	W00366801	049971	Supp. sens.magnetico	Magnetic switch holder	From Ser.No.: 228
19	1 1	552212702	0E2185	Microinterruttore	Magnetic switch	
19	1 1	482744000	0E2321	Microinterruttore	Magnetic switch	3). - Up to Serial No.: 227
19	1 1	654600600	049970	Microinterruttore	Magnetic switch	From Serial No.: 228
20	1 1	478030300	0E5062	Guarnizione	O-ring	
21	- 1	482257000	0E5149	Troppo pieno	Overflow	
21	1 -	482257001	0E5681	Troppo pieno	Overflow	
22	- 1	482346300	0E5186	Filtro DUO	DUO strainer	
23	1 -	741311620	0E5515	Nipplo	Nipple	
24	1 -	741611624	0E5016	Tappo	Cover	
25	1 1	461137802	0E0102	Magnete	Magnet	
26	1 1	48266003000	0E5519	Leva attivazione risc.	Magnet holder	1).
26	1 1	48266003100	0E5520	Leva attivazione risc.	Magnet holder	2).
27	1 1	552001300	0E5509	Tubo mt.1	Hose	1/2"
28	1 1	552217400	0E5423	Nipplo	Nipple	
29	- 1	482265300	0E5518	Troppo pieno	Strainer hub	
30	1 1	552001300	0E5509	Tubo mt.1	Hose	1/2"



Pos.	Q.tà Q.ty	Art. No	Cod. Ric. Part No	Descrizione	Description	Note Notes
	[			<b>WT95 - 100 - 150 - 200 / D1</b>	<b>700 - 1800 - 2700 - 3600 / H</b>	<b>511 - 512 - 522</b>
	[			<b>RT100 - 140 - 190 - 270 / RT</b>	<b>1800 - 2500 - 3400 - 4800 /</b>	<b>Z180 - 250 - 340 - 480</b>
1	2 2	482342700	0E5505	Molla	Spray tube spring	
2	2 2	48266010000	0E5506	Tubo risciacquo	Spraying tube	
3	4 4	740431514	0E5118	Anello	O-ring	
4	4 4	48266009900	0E5507	Boccola	Spraying tube sleeve	
5	8 8	482425700	0E5148	Ugello	Nozzle	Nr. 9504
5	8 8	482425703	0E5215	Ugello	Nozzle	Nr. 9510
6	2 2	W00504700	0E5508	Nipplo	Nipple	15x1/2" - Up to ser.: 447
6	2 2	511619800	0L0652	Nipplo	Nipple	15x1/2" - From ser.: 448
7	1 1	552001300	0E5509	Tubo mt.1	Hose	1/2" - Up to Ser: 028
7	1 1	140066039	048531	Tubo mt.1	Hose	12x19,5 - From Ser: 029
8	5 -	552211003	0E5122	Guarnizione	Gasket	
9	1 1	552001300	0E5509	Tubo mt.1	Hose	1/2" - Up to Ser: 028
9	1 1	140066039	048531	Tubo mt.1	Hose	12x19,5 - From Ser: 029
10	3 2	W00504600	0E5510	Nipplo	Nipple	15x1/2" - Up to ser.: 447
10	3 2	511619900	0L0653	Nipplo	Nipple	15x1/2" - From ser.: 448
11	1 1	482525800	0E5511	Tubo	Hose	Up to Serial No.: 227
11	1 1	544631500	0E6011	Tubo aspirazione	Suction hose	From Serial No.: 228
12	1 1	482509300	0E2746	Pompa	Pump 220-240/380-415V	50Hz -Up to Serial No.: 227
12	1 1	<b>611617901</b>	<b>049310</b>	<b>Pompa</b>	<b>Pump 220-240V, 50Hz</b>	<b>From serial No.: 228</b> <b>Up to Serial No.: 607</b>
12	1 1	<b>611632400</b>	<b>0L1104</b>	<b>Pompa</b>	<b>Pump 220-240V, 50Hz</b>	<b>From Serial No.: 608</b>
12	1 1	482509301	0E2763	Pompa	Pump 220-230/380-400V	60Hz -Up to Serial No.: 227
12	1 1	<b>611618001</b>	<b>049612</b>	<b>Pompa</b>	<b>Pump 220-240V, 60Hz</b>	<b>From Serial No.: 228</b> <b>Up to Serial No.: 607</b>
12	1 1	<b>611632500</b>	<b>0L1111</b>	<b>Pompa</b>	<b>Pump 220-240V, 60Hz</b>	<b>From Serial No.: 608</b>
12	1 1	482509303	0E2765	Pompa	Pump 200V, 60Hz	Up to Ser. No.: 227
12	1 1	<b>611622500</b>	<b>0L0020</b>	<b>Pompa</b>	<b>Pump 200V, 60Hz</b>	<b>From Serial No.: 228</b> <b>Up to Serial No.: 607</b>
12	1 1	<b>611633000</b>	<b>0L1110</b>	<b>Pompa</b>	<b>Pump 200V, 60Hz</b>	<b>From Serial No.: 608</b>
12	1 1	<b>611632600</b>	<b>0L1112</b>	<b>Pompa</b>	<b>Pump 400V, 50Hz</b>	<b>From Serial No.: 608</b>
12	1 1	<b>611632700</b>	<b>0L1113</b>	<b>Pompa</b>	<b>Pump 400V, 60Hz</b>	<b>From Serial No.: 608</b>
12	1 1	<b>611632800</b>	<b>0L1109</b>	<b>Pompa</b>	<b>Pump 440V, 60Hz</b>	<b>From Serial No.: 608</b>
12	1 1	<b>611632900</b>	<b>0L1114</b>	<b>Pompa</b>	<b>Pump 440V, 50Hz</b>	<b>From Serial No.: 608</b>
12	1 1	482509315	0E2755	Girante	Impeller	Up to Serial No.: 227
12	1 1	482509313	0E2754	Tenuta rotante	Gasket	Up to Serial No.: 227
12	1 1	482509311	0E2752	Ventola	Fan	Up to Serial No.: 227
13	3 3	463977806	0E2251	Ammortizzatore	Shock Absorber	
14	1 1	482513500	0E5696	Supporto pompa	Pump bracket	Up to Serial No.: 227
14	1 1	W00190401	0L0144	Supporto pompa	Pump support	From Serial No.: 228
15	1 1	482525700	0E5512	Tubo	Hose	Up to Serial No.: 227
15	1 1	140066100	049773	Tubo mandata	Delivery elbow	From Serial No.: 228
16	1 1	552215900	0E5513	Nipplo	Hose nipple	Up to Serial No.: 227
16	1 1	552214021	0E2895	Nipplo	Nipple	From Serial No.: 228
17	1 -	552001100	0E5121	Tubo mt.1	Hose	1/2"
18	1 1	552213011	0E5514	Supporto	Magnetic switch holder	
18	1 1	482739700	0E2330	Supporto	Magnetic switch holder	3). - Up to Serial No.: 227
18	1 1	W00366801	049971	Supp. sens.magnetico	Magnetic switch holder	From Ser.No.: 228
19	1 1	552212702	0E2185	Microinterruttore	Magnetic switch	
19	1 1	482744000	0E2321	Microinterruttore	Magnetic switch	3). - Up to Serial No.: 227
19	1 1	654600600	049970	Microinterruttore	Magnetic switch	From Serial No.: 228
20	1 1	478030300	0E5062	Guarnizione	O-ring	
21	1 1	482257000	0E5149	Troppo pieno	Overflow	
22	1 1	482346300	0E5186	Filtro	Drainstrainer	
23	2 -	552001100	0E5121	Tubo mt.1	Hose	1/2"
23	- 1	552001100	0E5121	Tubo mt.1	Hose	1/2"
24	1 1	552001100	0E5121	Tubo mt.1	Hose	1/2"
25	1 1	461137802	0E0102	Magnete	Magnet	
26	1 1	48266003000	0E5519	Supporto magnete	Magnet holder	1).
26	1 1	48266003100	0E5520	Supporto magnete	Magnet holder	2).
27	1 -	552001100	0E5121	Tubo mt.1	Hose	1/2"
28	1 -	552217500	0E5529	Nipplo	Hose nipple	
29	1 1	482265300	0E5518	Troppo pieno	Strainer hub	
30	2 -	741211320	0E5420	Bussola	Sleeve	
31	2 2	48266010100	0E5521	Tubo risciacquo	Spraying tube	
32	2 2	482413100	0E5058	Molla	Spray tube spring	
33	1 -	478088900	0E5591	Regolatore	Adjusting valve	
34	1 -	741111324	0E5424	Dado 1/2"	Nut 1/2"	
35	1 -	552217400	0E5423	Nipplo	T-nipple	

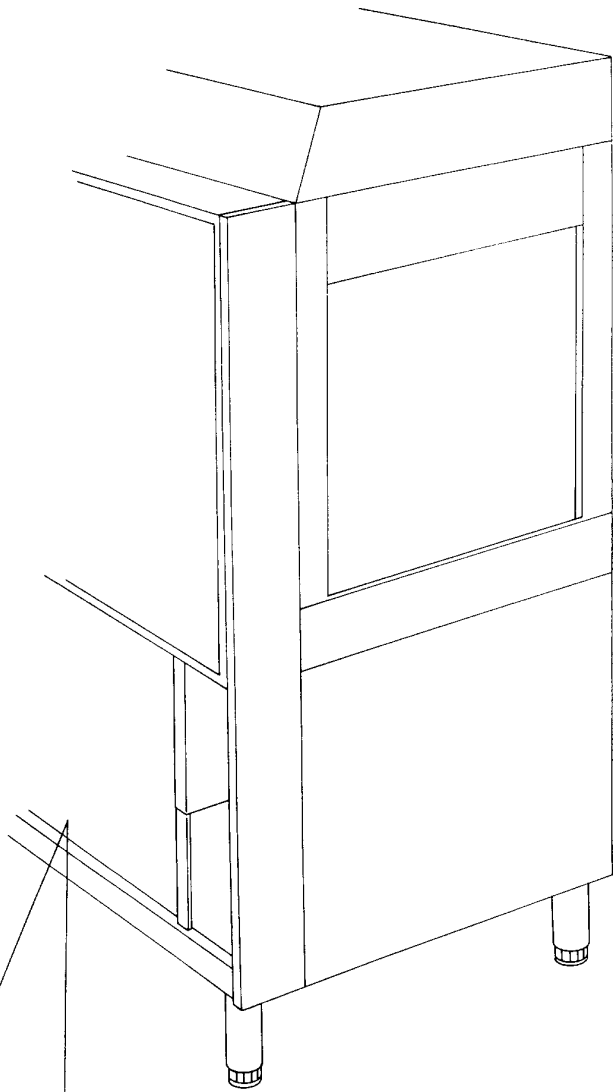
**Grassetto = variazioni**  
**Bold Print = changes**



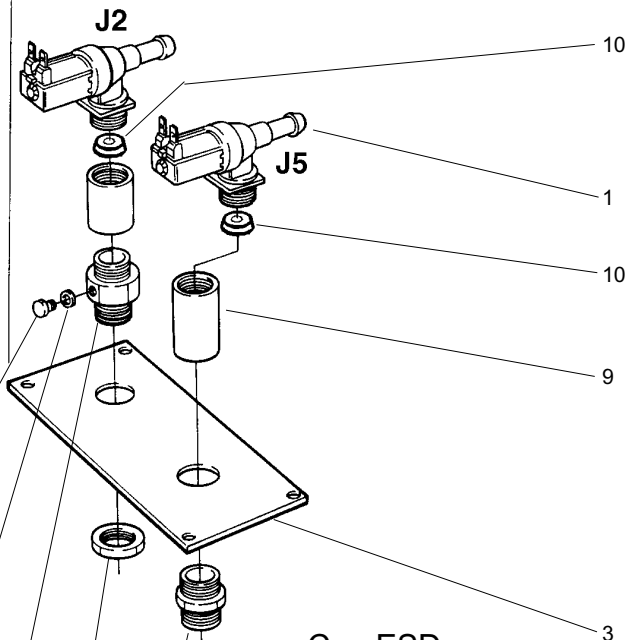
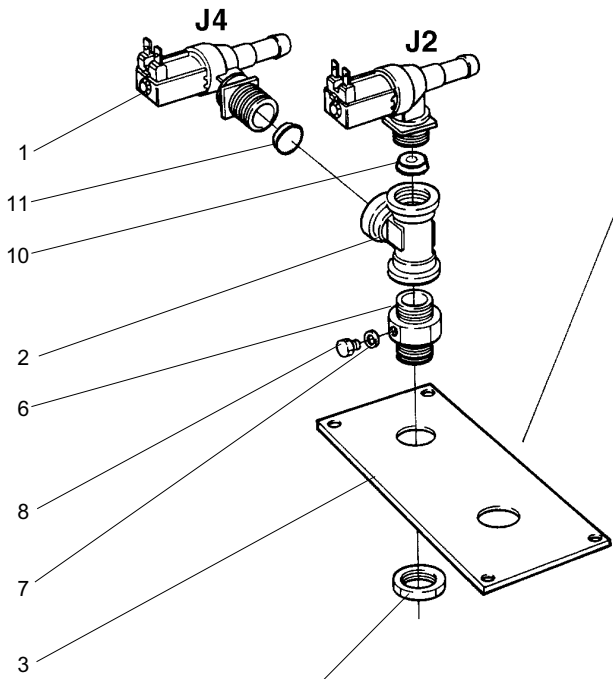
Pos.	Q.tà Q.ty	Art. No	Cod. Ric. Part No	Descrizione	Description	Note Notes
1	2	482342700	0E5505	Molla	Spray tube spring	
2	2	W00303800	0E5506	Tubo risciacquo	Spraying tube	
3	4	740431514	0E5118	O-Ring	O-ring	
4	4	W00303700	0E5507	Boccola	Spraying tube sleeve	
5	16	482425700	0E5148	Ugello	Nozzle	Nr. 9504
5	16	482425701	0E5101	Ugello	Nozzle	Nr. 9505
5	16	482425702	0E5107	Ugello	Nozzle	Nr. 9506
6	2	W00504700	0E5508	Nipplo	Nipple	15x½" - Up to ser.: 447
6	2	511619800	0L0652	Nipplo	Nipple	15x½" - From ser.: 448
7	1	552001300	0E5509	Tubo mt.1	Hose	½" - Up to Ser: 028
7	1	140066039	048531	Tubo mt.1	Hose	12x19,5 - From Ser: 029
8	5	552211003	0E5122	Guarnizione	Gasket	
9	1	552001300	0E5509	Tubo mt.1	Hose	½" - Up to Ser: 028
9	1	140066039	048531	Tubo mt.1	Hose	12x19,5 - From Ser: 029
10	1	W00504600	0E5510	Nipplo	Nipple	15x½" - Up to ser.: 447
10	1	511619900	0L0653	Nipplo	Nipple	15x½" - From ser.: 448
11	1	482525800	0E5511	Tubo aspirazione	Suction hose	Up to Serial No.: 227
11	1	544631500	0E6011	Tubo aspirazione	Suction hose	From Serial No.: 228
12	1	482509300	0E2746	Pompa	Pump	220-240/380-415V, 50Hz Up to Serial No.: 227
<b>12</b>	<b>1</b>	<b>611617901</b>	<b>049310</b>	<b>Pompa</b>	<b>Pump 220-240V, 50Hz</b>	<b>From Serial No.: 228</b> <b>Up to Serial No.: 607</b>
<b>12</b>	<b>1</b>	<b>611632400</b>	<b>0L1104</b>	<b>Pompa</b>	<b>Pump 220-240V, 50Hz</b>	<b>From Serial No.: 608</b>
12	1	482509301	0E2763	Pompa	Pump 220-230/380-400V	60Hz - Up to Ser. No.: 227
12	1	<b>611618001</b>	<b>049612</b>	<b>Pompa</b>	<b>Pump 220-240V, 60Hz</b>	<b>From serial No.: 228</b> <b>Up to Serial No.: 607</b>
<b>12</b>	<b>1 1</b>	<b>611632500</b>	<b>0L1111</b>	<b>Pompa</b>	<b>Pump 220-240V, 60Hz</b>	<b>From Serial No.: 608</b>
12	1	482509302	0E2764	Pompa	Pump	200V, 50Hz
12	1	482509303	0E2765	Pompa	Pump 200V, 60Hz	Up to Serial No.: 227
<b>12</b>	<b>1</b>	<b>611622500</b>	<b>0L0020</b>	<b>Pompa</b>	<b>Pump 200V, 60Hz</b>	<b>From Serial No.: 228</b> <b>Up to Serial No.: 607</b>
<b>12</b>	<b>1 1</b>	<b>611633000</b>	<b>0L1110</b>	<b>Pompa</b>	<b>Pump 200V, 60Hz</b>	<b>From Serial No.: 608</b>
<b>12</b>	<b>1 1</b>	<b>611632600</b>	<b>0L1112</b>	<b>Pompa</b>	<b>Pump 400V, 50Hz</b>	<b>From Serial No.: 608</b>
<b>12</b>	<b>1 1</b>	<b>611632700</b>	<b>0L1113</b>	<b>Pompa</b>	<b>Pump 400V, 60Hz</b>	<b>From Serial No.: 608</b>
<b>12</b>	<b>1 1</b>	<b>611632800</b>	<b>0L1109</b>	<b>Pompa</b>	<b>Pump 440V, 60Hz</b>	<b>From Serial No.: 608</b>
<b>12</b>	<b>1 1</b>	<b>611632900</b>	<b>0L1114</b>	<b>Pompa</b>	<b>Pump 440V, 50Hz</b>	<b>From Serial No.: 608</b>
12	1	482509315	0E2755	Girante	Impeller	Up to Serial No.: 227
12	1	482509313	0E2754	Tenuta rotante	Gasket	Up to Serial No.: 227
12	1	482509311	0E2752	Ventola	Fan	Up to Serial No.: 227
13	3	463977806	0E2251	Ammortizzatore	Absorber	
14	1	482513500	0E5696	Supporto pompa	Pump bracket	Up to Serial No.: 227
14	1	W00190401	0L0144	Supporto pompa	Pump support	From Serial No.: 228
15	1	482525700	0E5512	Tubo mandata	Hose	Up to Serial No.: 227
15	1	140066100	049773	Tubo mandata	Delivery elbow	From Serial No.: 228
16	1	552215900	0E5513	Nipplo	Hose nipple	Up to Serial No.: 227
16	1	552214021	0E2895	Nipplo	Nipple	From Serial No.: 228
17	1	552001100	0E5121	Tubo mt.1	Hose	½"
18	1	552213011	0E5514	Supp. sens. magnetico	Magnetic switch holder	
18	1	482739700	0E2330	Supp. sens. magnetico	Magnetic switch holder	3). - Up to Serial No.: 227
18	1	W00366801	049971	Supp. sens. magnetico	Magnetic switch holder	From Ser.No.: 228
19	1	552212702	0E2185	Microinterruttore	Magnetic switch	
19	1	482744000	0E2321	Microinterruttore	Magnetic switch	3). - Up to Serial No.: 227
19	1	654600600	049970	Microinterruttore	Magnetic switch	From Serial No.: 228
20	1	478030300	0E5062	Guarnizione	O-ring	
21	1	482257000	0E5149	Troppo pieno	Overflow	
22	1	482346300	0E5186	Filtro	Drainstrainer	
23	1	552001100	0E5121	Tubo mt.1	Hose	½"
24	1	552001100	0E5121	Tubo mt.1	Hose	½"
25	1	461137802	0E0102	Magnete	Magnet	
26	1	48266003000	0E5519	Supporto magnete	Magnet holder	1).
26	1	48266003100	0E5520	Supporto magnete	Magnet holder	2).
27	1	552001100	0E5121	Tubo mt.1	Hose	½"
28	1	552217400	0E5423	Nipplo	T-nipple	
29	1	482265300	0E5518	Troppo pieno	Strainer hub	
31	2	482413100	0E5058	Molla	Spray tube spring	
32	2	48266010100	0E5521	Tubo risciacquo	Spraying tube	

Grassetto = variazioni  
Bold Print = changes

- 1). Macchine con alimentazione SX / Left feeded machines
- 2). Macchine con alimentazione DX / Right feeded machines
- 3). Da Ser.: 523 10 607 / From serial no.: 523 10 607



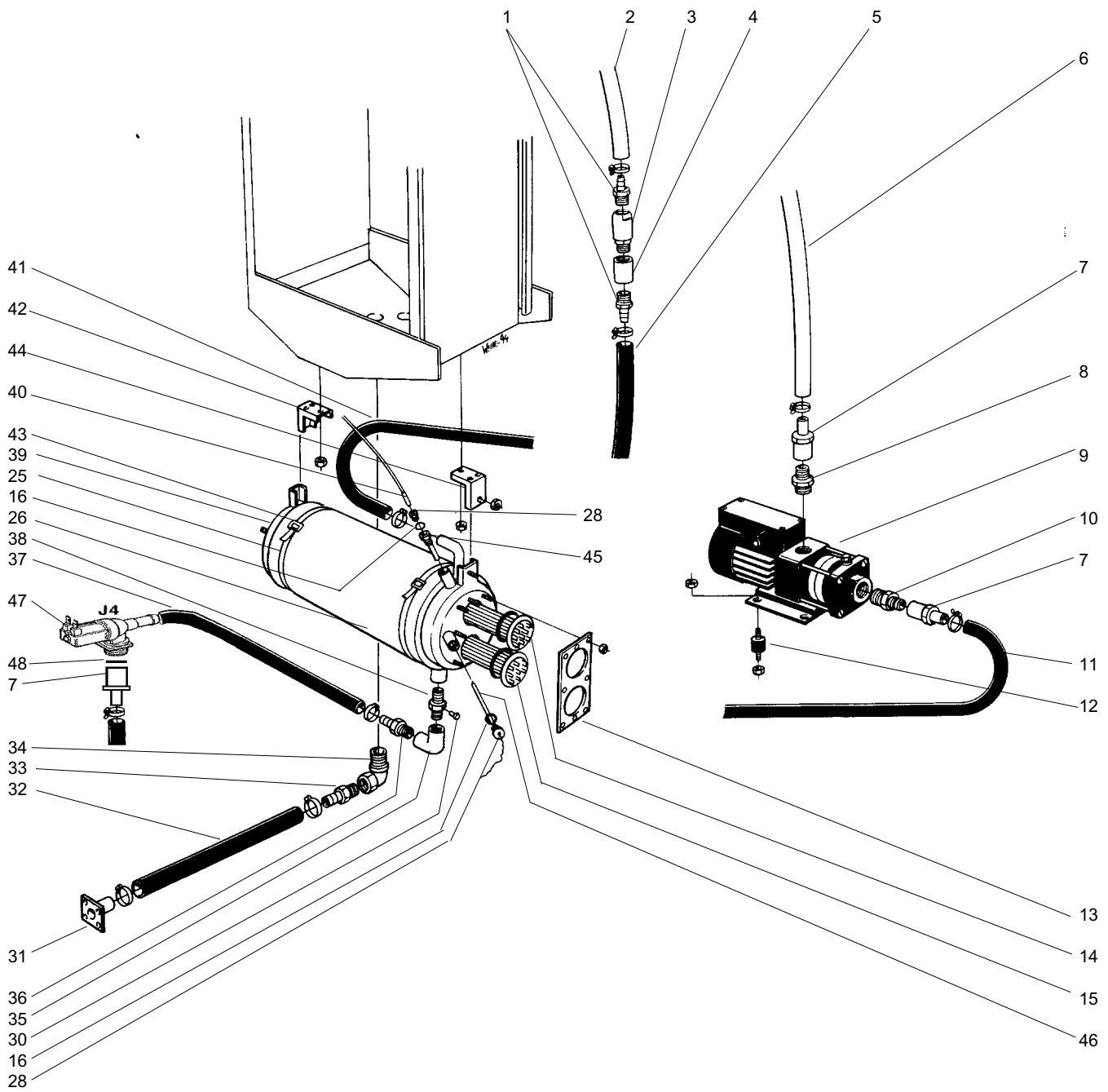
Senza ESD  
Without ESD



Con ESD  
With ESD

Pos.	Q.tà Q.ty	Art. No	Cod. Ric. Part No	Descrizione	Description	Note Notes
	[			<b>Senza ESD</b>	<b>Without ESD</b>	
	[			<b>Con ESD</b>	<b>With ESD</b>	
1	2 2	696615200	0L0175	Elettrovalvola	Solenoid valve	
2	1 -	742511520	0E5522	Tube a t	T-tube	
3	1 1	482446300	0E5690		Valve attachment	
4	- 1	741311522	072457	Nipplo	Nipple	
5	1 1	741111520	0E5056	Nipplo	Pipe nut	
6	1 1	552217000	0E5523	Raccordo	Connecting nipple	
7	1 1	552211000	0E5524	Guarnizione	Gasket	
8	1 1	741520924	0E2887	Tappo	Plug	
9	- 2	741211520	0E5525	Manicotto	Sleeve	
10	1 2	549642800	0L0178	Parzializzatore	Reducer, orange	20 l/min
11	1 -	549643500	0L0168	Parzializzatore	Reducer, white	4 l/min
11	1 -	549643800	0L0171	Parzializzatore verde	Reducer, green	7 l/min
11	1 -	549643700	0L0170	Parzializzatore nero	Reducer, black	5,5 l/min

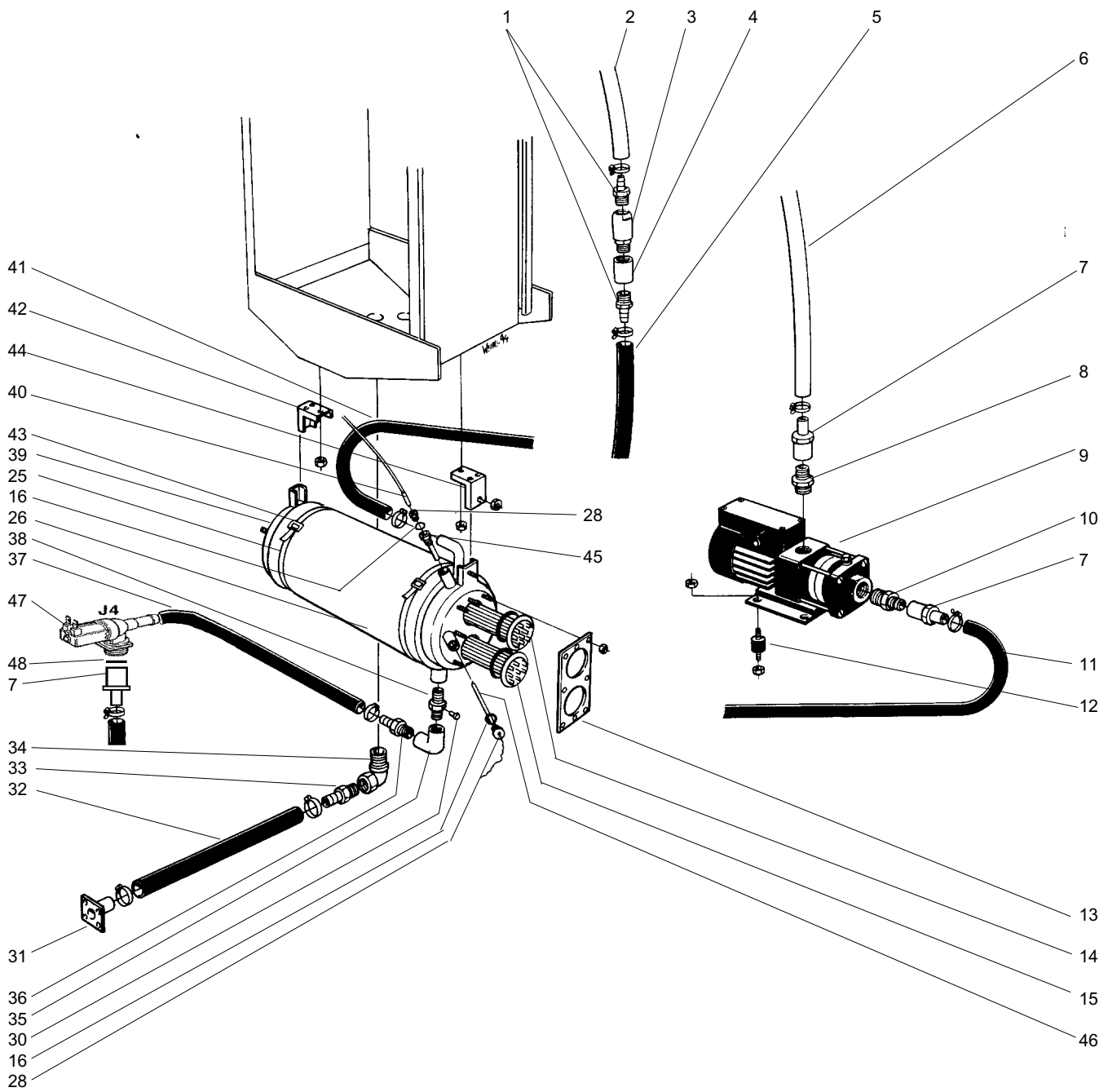
Grassetto = variazioni  
Bold Print = changes



Pos.	Q.tà Q.ty	Art. No	Cod. Ric. Part No	Descrizione	Description	Note Notes
1	2	552217500	0E5529	Nipplo	Hose nipple	
2	1	552001100	0E5121	Tubo mt.1	Hose	
3	1	482952700	0E5530	Valvola	Valve	
4	1	741211320	0E5420	Bussola	Sleeve	
5	1	552001300	0E5509	Tubo mt.1	Hose	
6	1	552001100	0E5121	Tubo mt.1	Hose	
7	3	552215900	0E5513	Nipplo	Hose nipple	
8	1	741382024	0E5531	Nipplo	Nipple	
9	1	482048001	0E5532	Pompa	Booster pump	200-240/360-415V 50Hz
9	1	482048003	0E5533	Pompa	Booster pump	200-254/360-440V 60Hz
10	1	741382024	0E5531	Nipplo	Nipple	
11	1	552001300	0E5509	Tubo mt.1	Hose	
12	4	463977807	0E0129	Ammortizzatore	Absorber	
13	1	482267100	0E5534	Flangia	Plate	
14	1	482406503	0E5115	Resistenza	Heating element 4 kW	220-240/380-415V
14	1	482406502	0E5114	Resistenza	Heating element 6 kW	220-240/380-415V
14	1	482406501	0E5113	Resistenza	Heating element 8 kW	220-240/380-415V
14	1	482406500	0E5066	Resistenza	Heating element 10 kW	220-240/380-415V
14	1	482406504	0E5116		Heating element 12 kW	220-240/380-415V
14	1	482406505	0E5117	Resistenza	Heating element 14 kW	220-240/380-415V
14	1	482406513	0E5535	Resistenza	Heating element 4 kW	200-210V
14	1	482406512	0E5536	Resistenza	Heating element 6 kW	200-210V
14	1	482406511	0E5537	Resistenza	Heating element 8 kW	200-210V
14	1	482406510	0E5538	Resistenza	Heating element 10 kW	200-210V
14	1	482406514	0E5539	Resistenza	Heating element 12 kW	200-210V
14	1	482406515	0E5540	Resistenza	Heating element 14 kW	200-210V
14	1	482406523			Heating element 4 kW	255/440V
14	1	482406522			Heating element 6 kW	255/440V
14	1	482406521			Heating element 8 kW	255/440V
14	1	482406520			Heating element 10 kW	255/440V
14	1	482406524			Heating element 12 kW	255/440V
14	1	482406525			Heating element 14 kW	255/440V
15	1	482406502	0E5114	Resistenza	Heating element 6 kW	220-240/380-415V
15	1	482406501	0E5113	Resistenza	Heating element 8 kW	220-240/380-415V
15	1	482406500	0E5066	Resistenza	Heating element 10 kW	220-240/380-415V

- 1). Livello 2 / Level 2
- 2). Livello 3 / Level 3
- 3). WT 95 - 100 - 150 - 200
- 4). Z 180 - 250 - 340 - 480
- 5). RT 140 - 190 - 270
- 6). RT1800 - 2500 - 3400 - 4800 / D 1700 - 1800 - 2700 - 3600
- 7). RT 100
- 8). Livello 1 / Level 1
- 9). H 511 - 512 - 522

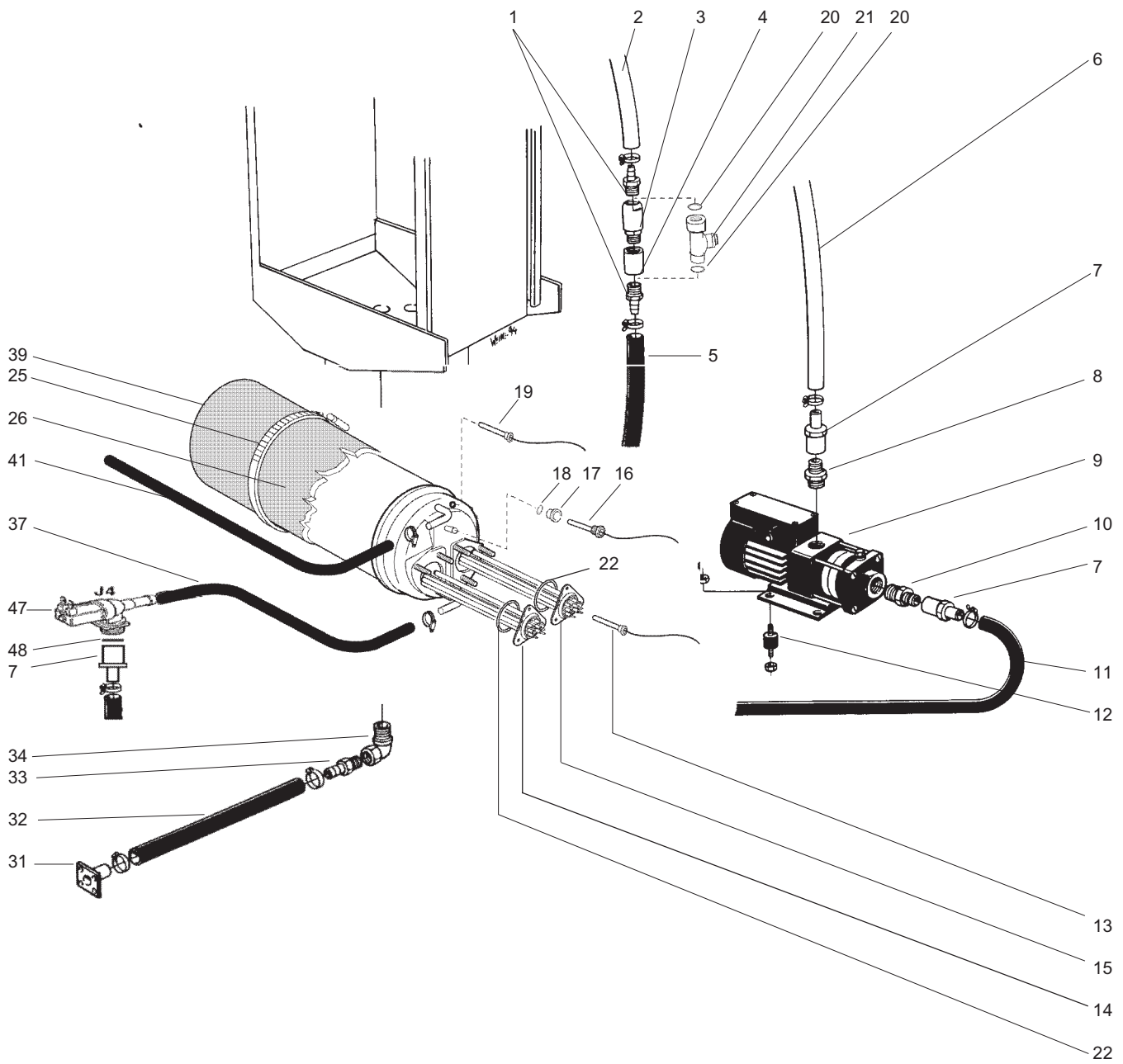
**Grassetto = variazioni**  
**Bold Print = changes**



Pos.	Q.tà Q.ty	Art. No	Cod. Ric. Part No	Descrizione	Description	Note Notes
15	1	482406504	0E5116		Heating element 12 kW	220-240/380-415V
15	1	482406505	0E5117	Resistenza	Heating element 14 kW	220-240/380-415V
15	1	482406512	0E5536	Resistenza	Heating element 6 kW	200-210V
15	1	482406511	0E5537	Resistenza	Heating element 8 kW	200-210V
15	1	482406510	0E5538	Resistenza	Heating element 10 kW	200-210V
15	1	482406514	0E5539	Resistenza	Heating element 12 kW	200-210V
15	1	482406515	0E5540	Resistenza	Heating element 14 kW	200-210V
15	1	482406522			Heating element 6 kW	255/440V
15	1	482406521			Heating element 8 kW	255/440V
15	1	482406520			Heating element 10 kW	255/440V
15	1	482406524			Heating element 12 kW	255/440V
15	1	482406525			Heating element 14 kW	255/440V
16	2	740430314	0E5034	Anello	O-ring	5,3x2,4
25	2	475851512	0E2276	Fascetta	Strip	
26	2	476101601	0E5541	Isolante x boiler	Insulation	
28	2	478044600	0E5033	Nipplo	Thermostat pipe nipple	
30	1	741520924	0E2887	Tappo	Plug	1/8"
31	1	482344200	0E5059	Flangia	Tank lid	
32	1	464003107	0E5542	Tubo	Hose	
33	1	552214031	0E5543	Nipplo	Hose nipple	
34	1	742111625	0E5060	Raccordo	Angular tube element	
35	1	742111320	0E3016		Angular tube element	
36	1	552217100	0E5510	Nipplo	Hose nipple	
37	1	552001300	0E5509	Tubo mt.1	Hose	
38	1	475825900	0E5544	Raccordo	Connecting pipe	
39	1	482256400	0E5067	Boiler	Booster	
40	1	481840005	0E5545	Termometro	Thermometer 3m	1). 3). 7).
40	1	482413202	0E5546	Termometro	Thermometer 3m	1). 4).
40	1	482413400	0E5030	Termometro	Thermometer 3m	1). 5).
40	1	482413302	0E5478	Termometro	Thermometer 3m	1). 6).
40	1	482422302	0E5482	Sensore di temeperatura	Sensor/transducer	2).
41	1	552001300	0E5509	Tubo mt.1	Hose	
42	1	482510000	0E5694		Attachment	
43	2	734117309	0E1859	Rondella	Washer	
44	1	482510100	0E5695		Attachment	
45	1	482630100	0E5547	Tubo	Dive pipe	1). 3). 4). 6). 7). 8).
45	1	482630200	0E5548		Bulb nipple	2). 3). 4). 5). 6). 9).
45	1	482630200	0E5548		Bulb nipple	1). 5).
46	1	475770402	0E5032	Termostato	Thermostat	1). 8).
46	1	482422302	0E5482	Sensore di temeperatura	Sensor/transducer	2).
47	1	482373600	0H2513	Valvola ad angolo 90 gradi	Solenoid valve	
48	1	482412104	0E5432	Riduzione	Reducer, dark brown	4 l/min
48	1	482412105	0E5549	Riduttore giallo	Reducer, yellow	5 l/min
48	1	482412108	0E5550	Riduttore nero	Reducer, black	8 l/min
48	1	482412110	0E5551	Riduttore bianco	Reducer, white	10 l/min

- 1). Livello 2 / Level 2
- 2). Livello 3 / Level 3
- 3). WT 95 - 100 - 150 - 200
- 4). Z 180 - 250 - 340 - 480
- 5). RT 140 - 190 - 270
- 6). RT1800 - 2500 - 3400 - 4800 / D 1700 - 1800 - 2700 - 3600
- 7). RT 100
- 8). Livello 1 / Level 1
- 9). H 511 - 512 - 522

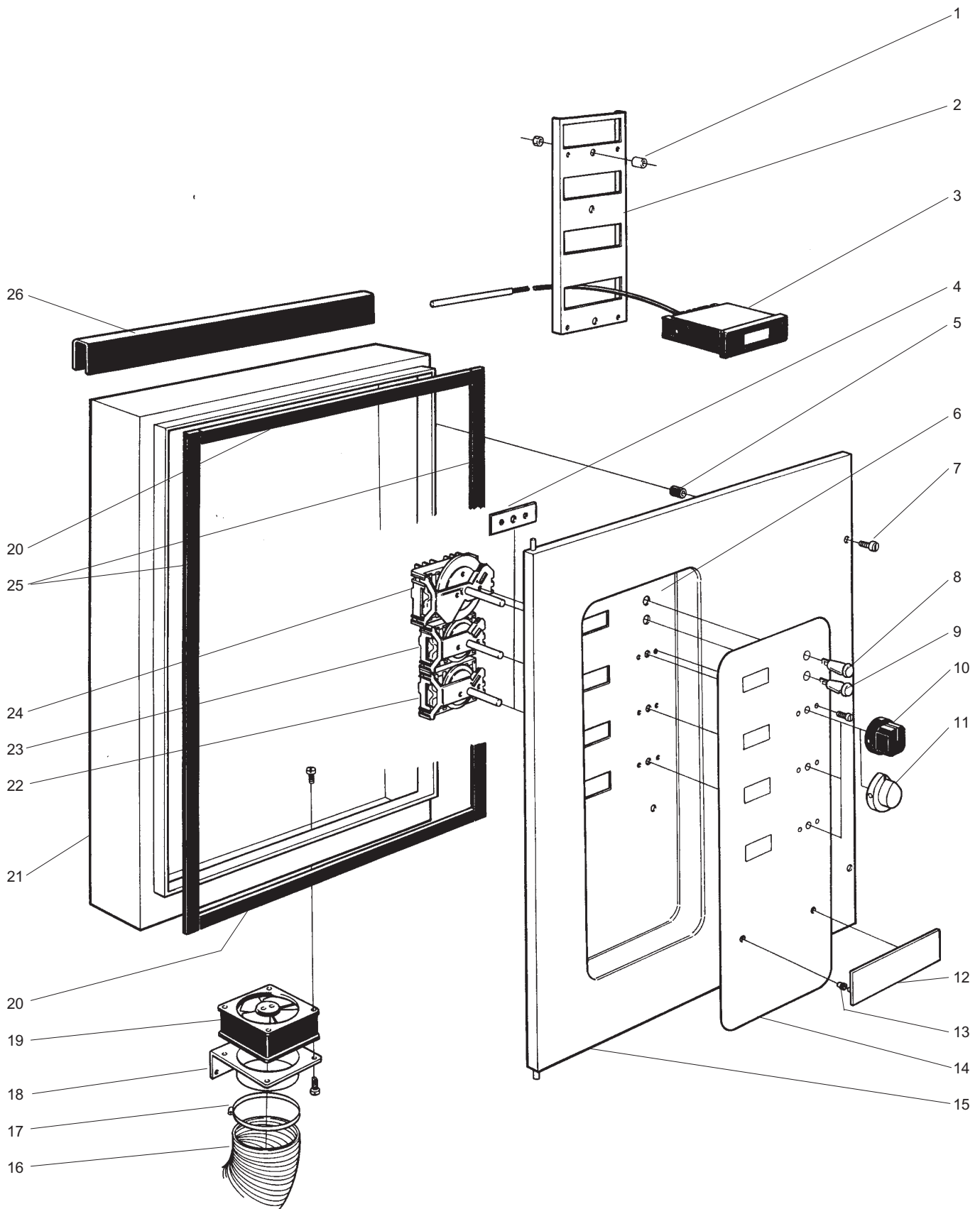
Grassetto = variazioni  
Bold Print = changes



Pos.	Q.tà Q.ty	Art. No	Cod. Ric. Part No	Descrizione	Description	Note Notes
1	2	552217500	0E5529	Nipplo	Hose nipple	
1	2	514689400		Nipplo	Hose nipple	RT180-1800-2500-3400-4800
2	1	552001100	0E5121	Tubo mt.1	Hose	
3	1	482952700	0E5530	Valvola	Valve	
4	1	741211320	0E5420	Bussola	Sleeve	
5	1	552001300	0E5509	Tubo mt.1	Hose	
6	1	552001100	0E5121	Tubo mt.1	Hose	
7	3	552215900	0E5513	Nipplo	Hose nipple	
8	1	741382024	0E5531	Nipplo	Nipple	
9	1	482048001	0E5532	Pompa	Booster pump	200-240/360-415V 50Hz
9	1	482048003	0E5533	Pompa	Booster pump	200-254/360-440V 60Hz
10	1	741382024	0E5531	Nipplo	Nipple	
11	1	552001300	0E5509	Tubo mt.1	Hose	
12	4	463977807	0E0129	Ammortizzatore	Absorber	
13	1	W00050400	0E5086	Termostato di sicurezza	Thermostat	
14	1	617607703	047847	Resistenza	Heating element 4,5 kW	220-240/380-415V
14	1	617611600	049116	Resistenza	Heating element 6 kW	220-240/380-415V
14	1	617613900	0E5955	Resistenza	Heating element 8 kW	220-240/380-415V
14	1	617613000	0E5953	Resistenza	Heating element 10,5 kW	220-240/380-415V
14	1	617614100	0E5957	Resistenza	Heating element 14 kW	220-240/380-415V
15	1	617613900	0E5955	Resistenza	Heating element 8 kW	220-240/380-415V
15	1	617613000	0E5953	Resistenza	Heating element 10,5 kW	220-240/380-415V
15	1	617614000	0E5956	Resistenza	Heating element 12 kW	220-240/380-415V
15	1	617614100	0E5957	Resistenza	Heating element 14 kW	220-240/380-415V
16	1	W00008200	0E5032	Termostato	Thermostat	level 1, level 2
16	1	653600300	0E5990	Sensore di temeperatura	Sensor/transducer	level 3
17	1	W00022100	0E5033	Nipplo	Thermostat pipe nipple	
18	2	W00524200	0E5034	Anello	O-ring	
19	1	657601800	048525	Termometro	Thermometer 3m	level 2, WT95-100-150-200, RT 100
19	1	W00127700	0E5030	Termometro	Thermometer 3m	level 2,RT 140-190-270 Up to serial No.: 227
19	1	W00127700	0E5030	Termometro	Thermometer 3m	level 2,RT 140-190-270 From serial No.: 228 (**)
19	1	W00127500	0E5478	Termometro	Thermometer 3m	level 2,RT1800-2500-3400- 4800/D1700-1800-2700-3600 RT180-1800-2500-3400-4800
20	2	543626700		Anello	O-ring	
21	1	W00177600	0E5938	Valvola	Valve	RT180-1800-2500-3400-4800
22	2	246072700	067620	Garnizione	Gasket	
25	2	518610800	048436	Fascetta	Strip	
26	1	W00012300	0E5541	Isolante x boiler	Insulation	
31	1	482344200	0E5059	Flangia	Tank lid	
32	1	140066100	049773	Tubo	Hose	
33	1	552214031	0E5543	Nipplo	Hose nipple	
34	1	742111625	0E5060	Raccordo	Angular tube element	
37	1	140066039	048531	Tubo mt.1	Hose	
39	1	850653401	0E5954	Boiler	Booster	
41	1	140066039	048531	Tubo mt.1	Hose	
47	1	696615200	0L0175	Elettrovalvola	Solenoid valve	
48	1	549643500	0L0168	Parzializzatore bianco	Reducer, white	4 l/min
48	1	549643600	0L0169	Parzializzatore nero	Reducer, black	5 l/min
48	1	549642000	0E5961	Parzializzatore rosso	Reducer, red	8 l/min
48	1	549642200	049650	Parzializzatore naturale	Reducer, natural	10 l/min

Grassetto = variazioni  
Bold Print = changes

(\*\*) = Dalla ser. 351 disponibile anche 0L0500 sonda da 5 m.  
From ser. 351 available also 0L0500 probe 5 m long.



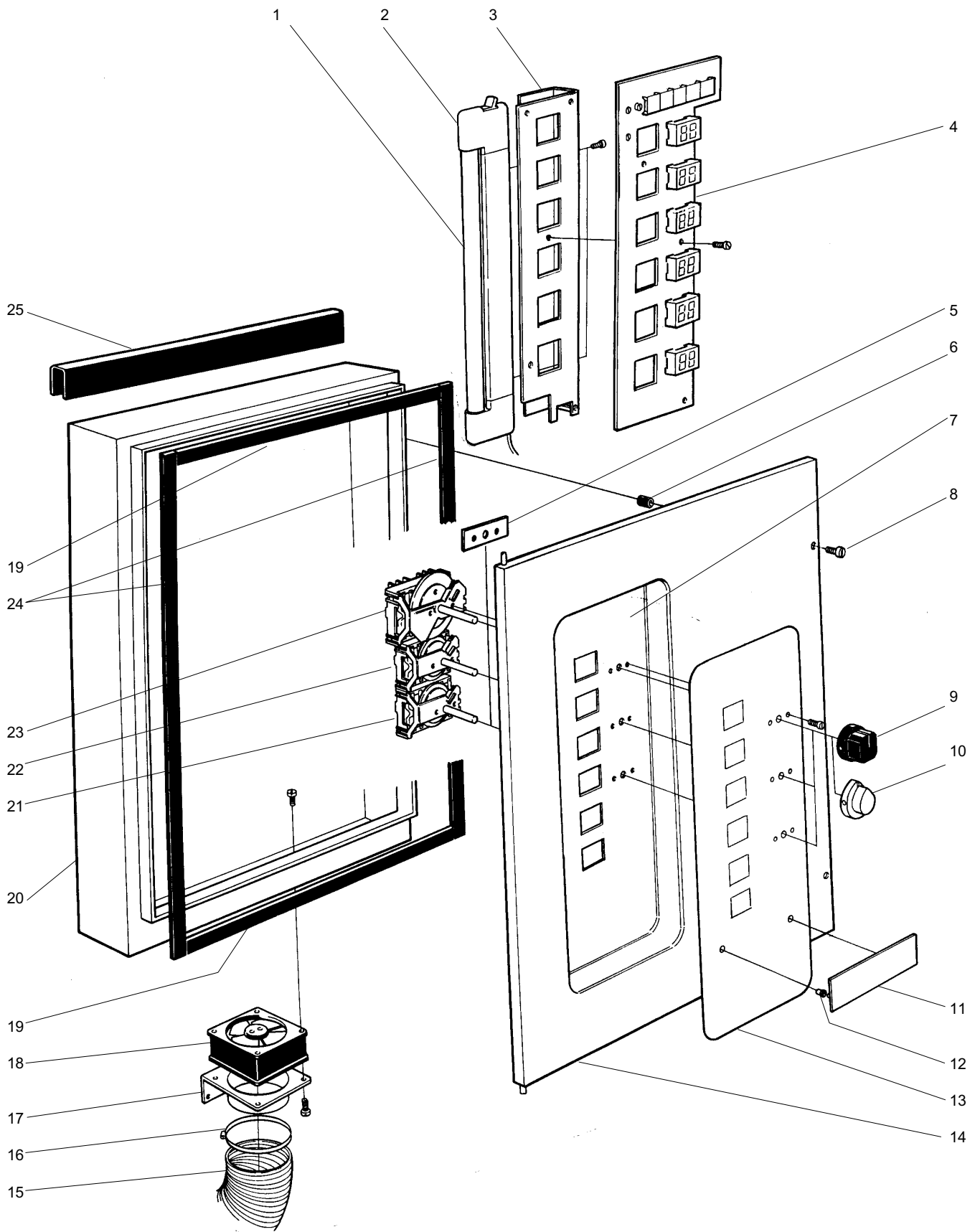
Pos.	Q.tà Q.ty	Art. No	Cod. Ric. Part No	Descrizione	Description	Note Notes
	[ [ [			<b>1 Vasca</b> <b>2 Vasche</b> <b>3 Vasche</b>	<b>1 Tank</b> <b>2 Tanks</b> <b>3 Tanks</b>	
1	3 3 3	482081100	0E5552	Distanziale	Spacer	
2	1 - -	482421400			Thermometer holder	1).3).
2	1 1 1	482411100			Holder	2).4).
2	1 - -	482421500			Holder	1).5).7).
2	1 1 1	482421600			Holder	2).6).8)
3	2 2 2	482413400	0E5030	Termometro	Thermometer 3m	2).4). Up to serial No.: 227
3	2 2 2	673606600	049943	Termometro	Thermometer 3 m	2).4).
3	- 1 2	482413401	0E5090	Termometro	Thermometer 5m	From serial No.: 228 (**)
3	2 2 2	673606700	049944	Termometro	Thermometer 5 m	2).4). Up to serial No.: 227
						2).4).
						From serial No.: 228 (**)
3	2 - -	481840005	0E5545	Termometro	Thermometer 5m	1).3).
3	2 - -	482413302	0E5478	Termometro	Thermometer 3m	1).5).7).
3	2 2 2	482413302	0E5478	Termometro	Thermometer 3m	2). 6). 8).
3	- 1 2	482413303	0E5553	Termometro	Thermometer 5m	2). 6). 8).
4	3 3 3	482178100	0E5554	Guarnizione	Gasket	
5	2 2 2	477750600			Snap ring	
6	1 - -	482419800	0E5555	Placca	Card plate	1).
6	1 1 1	482419900	0E5556	Placca	Card plate	2).
7	2 2 2	478566400			Screw	LKCS 5x20
8	1 1 1	482422200	0E5195	Lampada	Lamp, yellow	2).
9	1 1 1	482422100	0E5134	Lampada	Lamp, white	1).2).
10	2 - -	482421900	0E5217	Manopola	Knob	1) 3).
10	3 3 3	482421900	0E5217	Manopola	Knob	2).4).
11	2 - -	482422700	0E5133	Manopola	Knob	1).5) 7).
11	3 3 3	482422700	0E5133	Manopola	Knob	2).6).8).
12	1 1 1	482413700			Sign	
13	- - -	549603400			Protective cap	
14	1 - -	482408300	0E5263	Membrana adesiva	Stick membrane	1).3).
14	1 - -	482410600	0E5275	Membrana adesiva	Stick membrane	2).4).
14	- 1 -	482410700	0E5271	Membrana adesiva	Stick membrane	2).4).
14	- - 1	482410800	0E5218	Membrana adesiva	Stick membrane	2).4).
14	1 - -	482407700	0E5264	Membrana adesiva	Stick membrane	1).5).
14	1 - -	548639800	0L0180	Membrana adesiva	Stick membrane	1). - Franstal (LV1800)
14	1 - -	482407800	049803	Membrana adesiva	Stick membrane	2).5).
14	1 - -	548639900	0L0181	Membrana adesiva	Stick membrane	2). - Franstal (LV2500)
14	- 1 -	482407900	0E5272	Membrana adesiva	Stick membrane	2).6).
14	- 1 -	548640000	0L0182	Membrana adesiva	Stick membrane	2). - Franstal (LV3000-LV3400)
14	- - 1	482408000	0E5219	Membrana adesiva	Stick membrane	2).6).
14	- - 1	548640100	0L0183	Membrana adesiva	Stick membrane	2). - Franstal (LV4800)
14	1 - -	482485500		Membrana adesiva	Stick membrane	1).7).
14	1 - -	482485600		Membrana adesiva	Stick membrane	2).7).
14	- 1 -	482476200		Membrana adesiva	Stick membrane	2) 8).
14	- - 1	482485700		Membrana adesiva	Stick membrane	2).8).
15	1 1 1	482373500	0E5216	Porta	Door	
16	1 1 1	482459300	0E5557	Tubo flessibile	Tube	
17	1 1 1	736285251	0E5558	Fascetta	Hose clamp	
18	1 1 1	482459000			Connection	
19	1 1 1	477971100	0E2261	Ventola	Fan	
20	2 2 2	873303240	0E5225	Guarnizione mt.1	Sealing strip	L=610
21	1 1 1	482257700			Switch cabinet	
22	1 1 1	482407500	0E5132	Commutatore	Switch	3-pol
23	1 1 1	482237200	0E5131	Commutatore	Switch	4-pol
24	1 1 1	482412400	0E5222	Commutatore	Switch	6-pol
25	2 2 2	873303240	0E5225	Guarnizione mt.1	Sealing strip	L=710
26	1 1 1	482634900	0E5559		U-strip	L=650

Grassetto = variazioni  
Bold Print = changes

1). Livello 1 / Level 1  
2). Livello 2 / Level 2  
3). RT 100

4). RT 140 - 190 - 270  
5). RT 1800

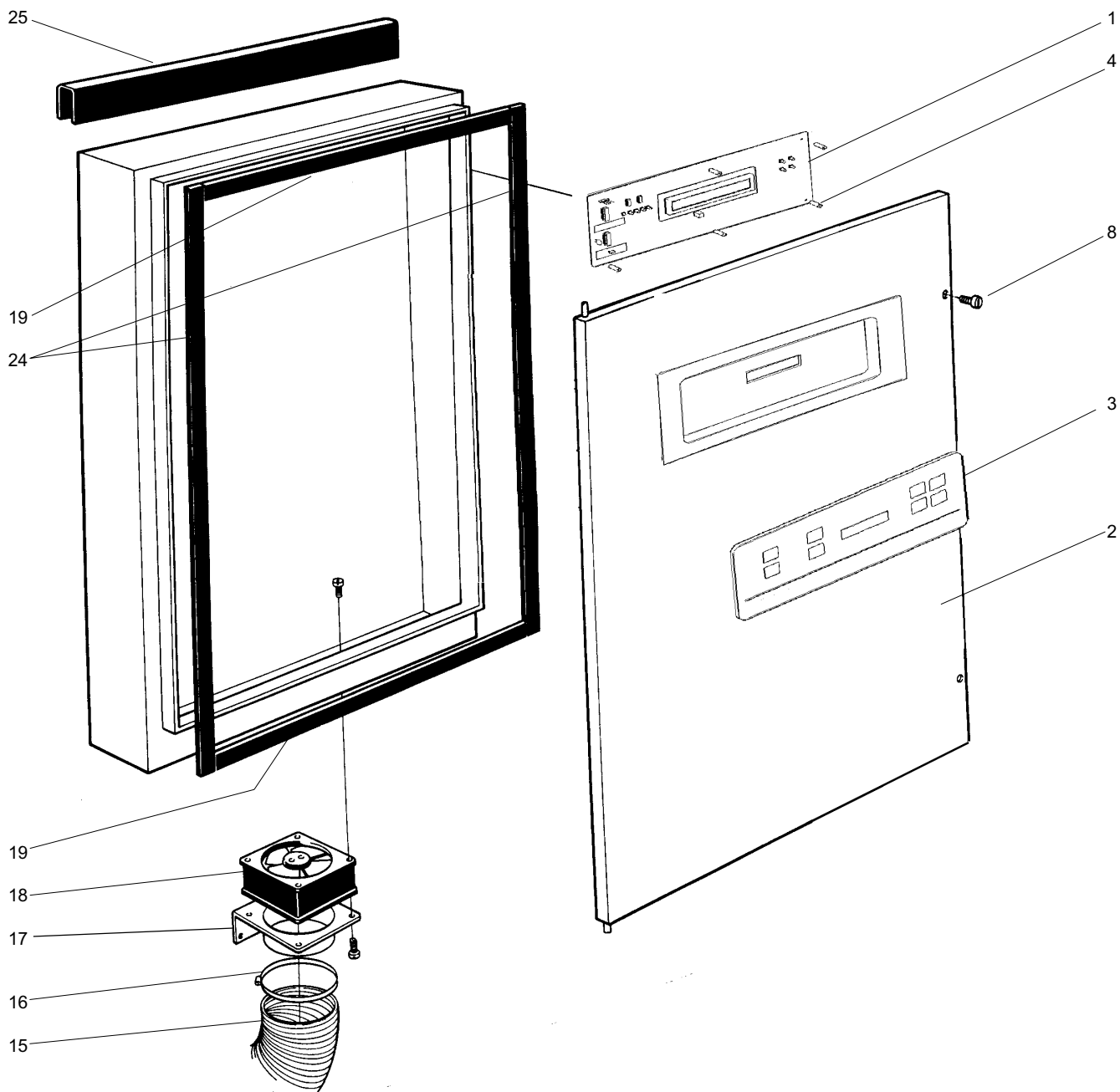
6). RT 2500 - 3400 - 4800  
7). D 1700  
8). D 1800 - 2700 - 3600



Pos.	Q.tà Q.ty	Art. No	Cod. Ric. Part No	Descrizione	Description	Note Notes
	[			<b>1 Vasca</b>	<b>1 Tank</b>	
	[			<b>2 Vasche</b>	<b>2 Tanks</b>	
	[			<b>3 Vasche</b>	<b>3 Tanks</b>	
1	1 1 1	482411600	0E5236	Lampada	Fluorescent lamp	
2	1 1 1	482411700	0E5235	Supporto	Fluorescent tube socket	
3	1 1 1	482411400			Holder, Fluorescent tube	
4	1 1 1	482421800	0E5165	Scheda	PCB	
5	3 3 3	482178100	0E5554	Guarnizione	Gasket	
6	2 2 2	477750600			Snap ring	
7	1 1 1	482420000	0E5560	Placca	Card plate	
8	2 2 2	478566400			Screw	LKCS 5x20
9	2 - -	482421900	0E5217	Manopola	Knob	1).
9	3 3 3	482421900	0E5217	Manopola	Knob	1).
10	2 - -	482422700	0E5133		Knob	2).
10	3 3 3	482422700	0E5133		Knob	2).
11	1 1 1	482413700			Sign	
12	2 2 2	549603400			Protective cap	
13	1 1 1	482409100	0E5223	Pannello	Panel	1).
13	1 1 1	482476300			Panel	2).
14	1 1 1	482373500	0E5216	Porta		
15	1 1 1	482459300	0E5557	Tubo flessibile	Tube	
16	1 1 1	736285251	0E5558	Fascetta	Hose clamp	
17	1 1 1	482459000			Connection	
18	1 1 1	477971100	0E2261	Ventola	Fan	
19	2 2 2	873303240	0E5225	Guarnizione mt.1	Sealing strip	L=610
20	1 1 1	482257700			Switch cabinet	
21	1 1 1	482407500	0E5132	Commutatore	Switch	3-pol
22	1 1 1	482237200	0E5131	Commutatore	Switch	4-pol
23	1 1 1	482412400	0E5222	Commutatore	Switch	6-pol
24	2 2 2	873303240	0E5225	Guarnizione mt.1	Sealing strip	L=710
25	1 1 1	482634900	0E5559		U-strip	L=650

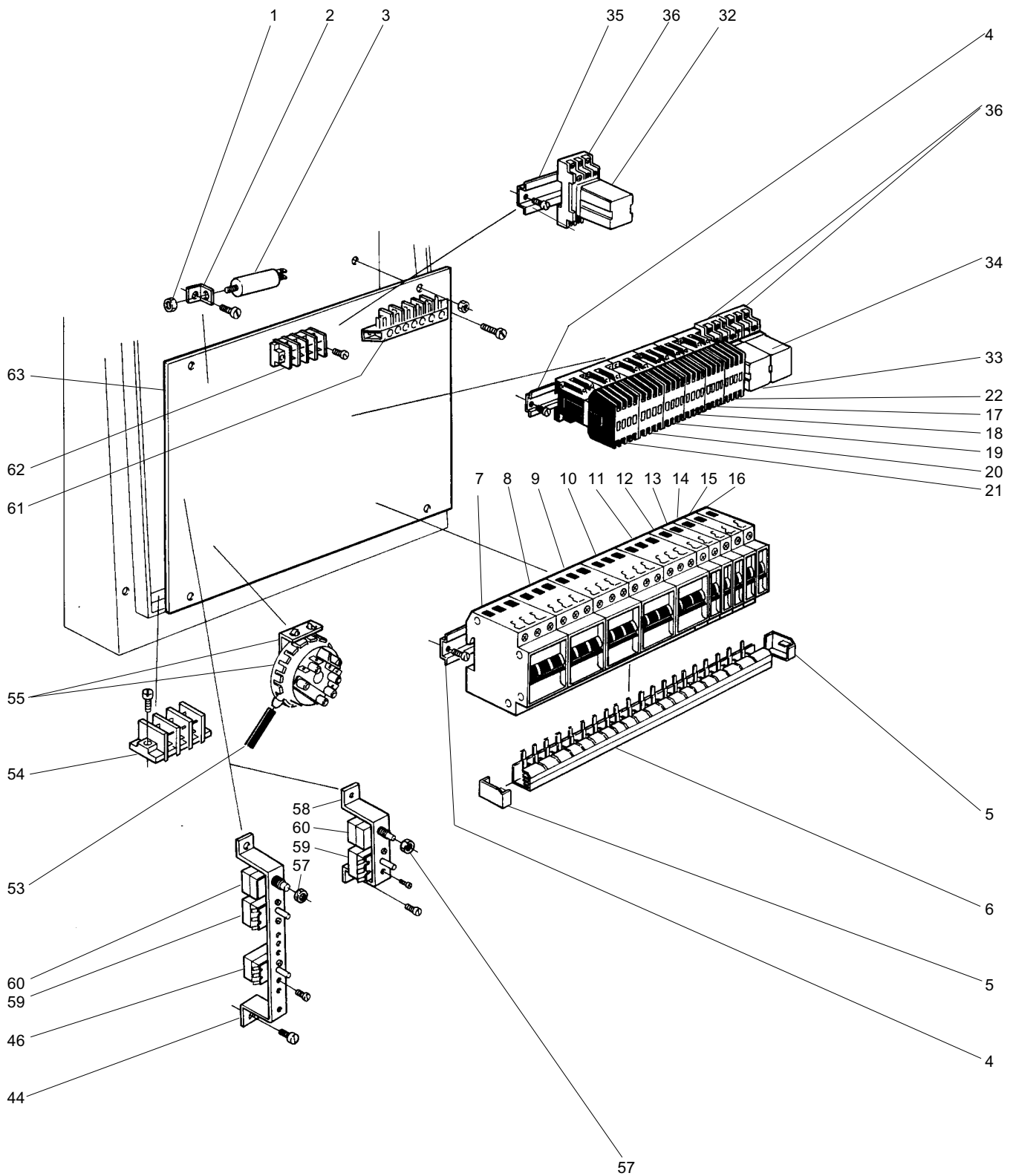
Grassetto = variazioni  
Bold Print = changes

1). RT 140 - 190 - 270  
2). D 1800 - 2700 - 3600



Pos.	Q.tà Q.ty	Art. No	Cod. Ric. Part No	Descrizione	Description	Note Notes
	[ [ [			<b>1 Vasca</b> <b>2 Vasche</b> <b>3 Vasche</b>	<b>1 Tank</b> <b>2 Tanks</b> <b>3 Tanks</b>	
1	1 1 1	673605500	0E5979	Scheda elettronica	PCB	
2	1 1 1	502674600		Pannello porta	Door panel	
3	1 1 1	548632000	0E5980	Membrana adesiva	Stick membrane	Zanussi
<b>3</b>	<b>1 1 1</b>	<b>548640700</b>	<b>0L0248</b>	<b>Membrana adesiva</b>	<b>Stick membrane</b>	<b>Alpeninox - From ser.: 314</b>
4	6 6 6	516807900		Distanziale	Spacer	
8	6 6 6	W00510700			Screw	LKCS 5x20
15	1 1 1	W00144200	0E5557	Tubo flessibile	Tube	
16	1 1 1	W00523900	0E5558	Fascetta	Hose clamp	
17	1 1 1	W00143900	0E5780		Connection	
18	1 1 1	W00019500	0E2261	Ventola	Fan	
19	2 2 2	W00536100	0E5225	Guarnizione mt.1	Sealing strip	L=610
24	2 2 2	W00536100	0E5225	Guarnizione mt.1	Sealing strip	L=710
25	1 1 1	W00263700	0E5559		U-strip	L=650

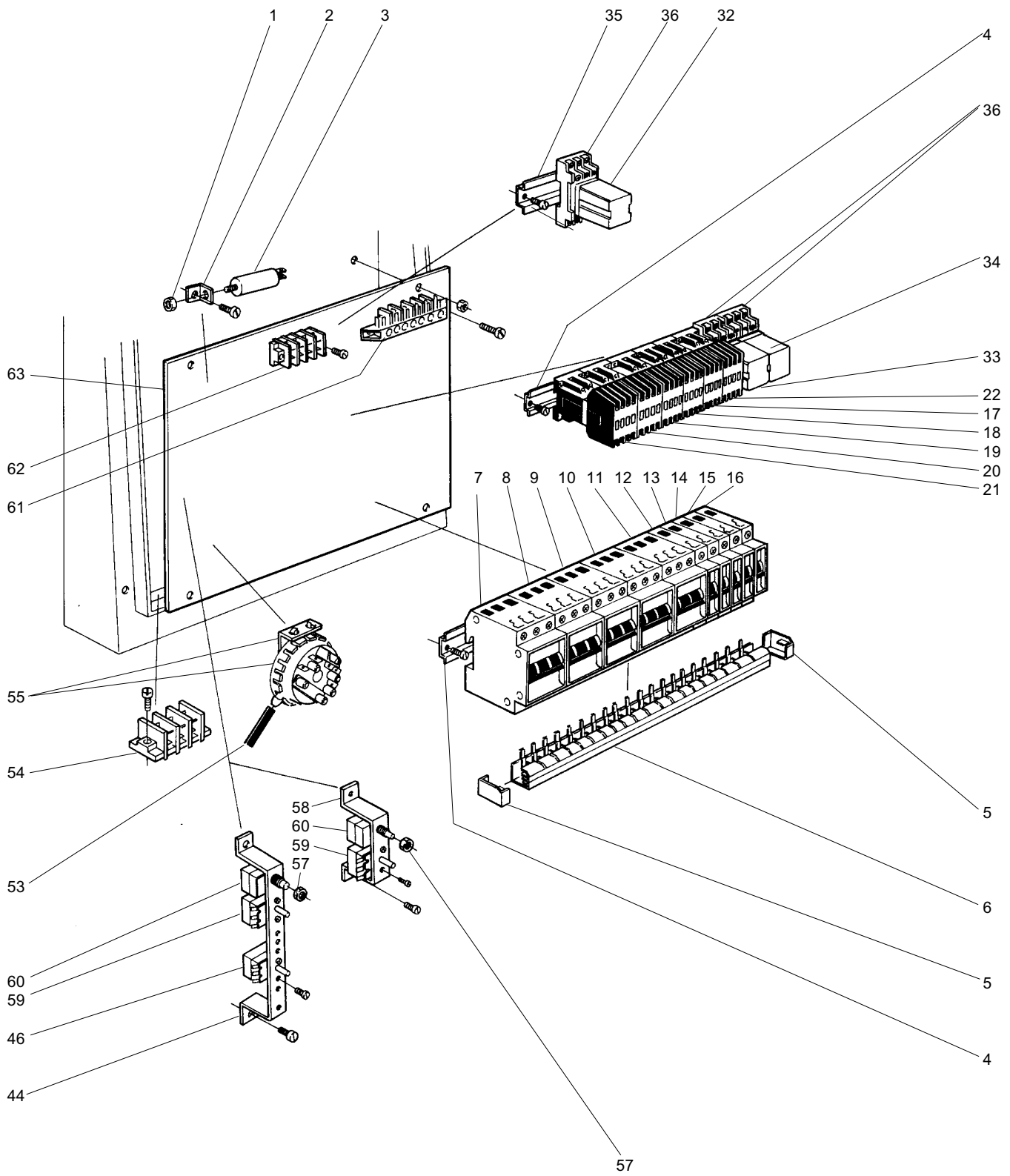
Grassetto = variazioni  
Bold Print = changes



Pos.	Q.tà Q.ty	Art. No	Cod. Ric. Part No	Descrizione	Description	Note Notes
	I			<b>Risciacquo singolo</b>	<b>Single rinse</b>	
	I			<b>Risciacquo doppio</b>	<b>Double rinse</b>	
1	1 1	731232040		Dado	Nut	
2	1 1	481934900	0E5716	Squadretta supp. conden.	Ang. mounting plate	
3	1 1	763753045	0E0174	Condensatore 2µF	Condenser 2µF	With ESD; With CU
4	2 2	475934614		Barra DIN	DIN Bar	L=370
5	2 2	552550809	0E5561	Terminali pettine	Phase bar cap	Up to Serial No.: 227
5	2 2	699604100		Terminali pettine	Phase bar cap	From Serial No.: 228
6	1 1	552550805	0E5562	Pettine	Phase bar	Up to Serial No.: 227
6	1 1	552550806	0E5563	Pettine	Phase bar	With ADT or HAB
6	1 1	639625900		Pettine	Phase bar	Up to Serial No.: 227
7	1 1	552222332	0E2268	Interruttore 32a 3p-c60n	Automatic fuse F10	From Serial No.: 228
7	1 1	652604700	0E5898	Interruttore aut. F10	Automatic fuse F10	32A With ADT or HAB up to ser. no.: 901..
7	1 1	652606600	0E6019	Interruttore aut. F10	Automatic fuse F10	32A 3p;With ADT or HAB From ser.no.:902.
8	1 1	552222332	0E2268	Interruttore 32a 3p-c60n	Automatic fuse F9	Up to Serial No.: 227
8	1 1	552222340	0E2270	Fusibile 40a	Automatic fuse F9	32A up to ser. no.: 901..
8	1 1	552222350	0E5452	Interruttore termico	Automatic fuse F9	40A up to ser. no.: 901..
8	1 1	652604900	0E5900	Interruttore aut. F9	Automatic fuse F9	50A;With CU up to ser. no.: 901..
8	1 1	652606800	0L0043	Interruttore aut. F9	Automatic fuse F9	50A 3p;From ser. no.: 902..
9	1 1	552222332	0E2268	Interruttore 32a 3p-c60n	Automatic fuse F8	Up to Serial No.: 227
9	1 1	552222340	0E2270	Fusibile 40a	Automatic fuse F8	50A 3p;From Ser. No.: 228
9	1 1	552222350	0E5452	Interruttore termico	Automatic fuse F8	32A;up to ser. no.: 901..
9	1 1	652604900	0E5900	Interruttore aut. F8	Automatic fuse F8	40A;up to ser. no.: 901..
9	1 1	652606800	0L0043	Interruttore aut. F8	Automatic fuse F8	50A;up to ser. no.: 901..
10	1 1	552222325	0E5453	Interruttore termico	Automatic fuse F6	50A 3p;From ser. no.: 902..
10	1 1	552222332	0E2268	Interruttore 32a 3p-c60n	Automatic fuse F6	Up to Serial No.: 227
10	1 1	552222340	0E2270	Fusibile 40a	Automatic fuse F6	50A 3p;From Ser. No.: 228
10	1 1	552222350	0E5452	Interruttore termico	Automatic fuse F6	25A;up to ser. no.: 901..
10	1 1	652604800	0E5899	Interruttore termico	Automatic fuse F6	32A;up to ser. no.: 901..
10	1 1	652606700	0E6020	Interruttore termico	Automatic fuse F6	40A;up to ser. no.: 901..
11	1 1	552222316	0E2269	Interruttore 16a	Automatic fuse F4	50A 3p;From ser. no.: 902..
11	1 1	652604400	0E5895	Interruttore 16A	Automatic fuse F4	Up to Serial No.: 227
11	1 1	652606300	0E6017	Interruttore 16A	Automatic fuse F4	16A;up to ser. no.: 901..
12	1 1	552222103	0E5564	Fusibile	Automatic fuse F1	16A; From ser.no.:902.
12	1 1	652605200	0E5903	Interruttore aut. F1	Automatic fuse F1	Up to Serial No.: 227
12	1 1	652606000	0E6015	Interruttore aut. F1	Automatic fuse F1	16A 3p; From Ser.No.:228
13	1 1	552222103	0E5564	Fusibile	Automatic fuse F3	3A;up to ser. no.: 901..
13	1 1	652605000	0E5901	Interruttore aut. F3	Automatic fuse F3	10A 1p;From ser.no.:902.
13	1 1	652605800	0E6013	Interruttore aut. F3	Automatic fuse F3	Up to Serial No.: 227
14	1 1	552222110	0E5451	Fusibile	Automatic fuse F16	3A 1p; From Ser.No.: 228
14	1 1	652605200	0E5903	Interruttore aut. F16	Automatic fuse F16	10A;up to ser. no.: 901..
14	1 1	652606000	0E6015	Interruttore aut. F16	Automatic fuse F16	10A 1p;From ser.no.:902.
15	1 1	552222110	0E5451	Fusibile	Automatic fuse F21	Up to Serial No.: 227
15	1 1	652605200	0E5903	Interruttore aut. F21	Automatic fuse F21	10A 1p; From Ser. No.: 228
15	1 1	652606000	0E6015	Interruttore aut. F21	Automatic fuse F21	10A;up to ser. no.: 901..

Grassetto = variazioni  
Bold Print = changes

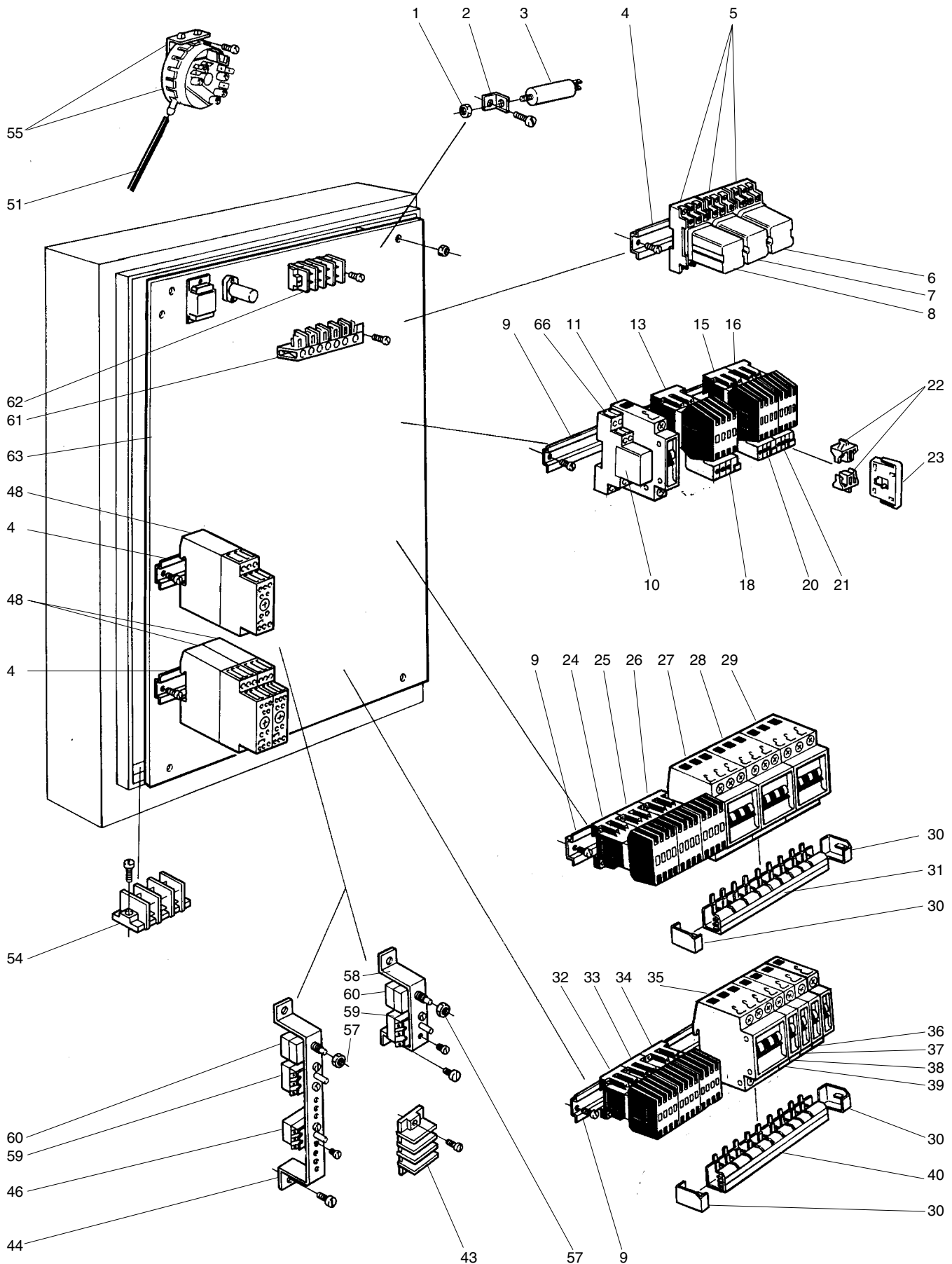
Per gli interruttori automatici vedi bollettino tecnico nr. CG-2003\_21 (pag. 84)  
For automatic fuses see technical bulletin nr. CG-2003\_21 (pag. 84)



Pos.	Q.tà Q.ty	Art. No	Cod. Ric. Part No	Descrizione	Description	Note Notes
	I I			Risciacquo singolo Risciacquo doppio	Single rinse Double rinse	
16	1 1	552222110	0E5451		Automatic fuse F2	10A;up to ser. no.: 901..
16	1 1	652605100	0E5902	Interruttore aut. F2	Automatic fuse F2	6A 1p;From ser.no.:902. Up to Serial No.: 227
16	1 1	652605900	0E6014	Interruttore aut. F2	Automatic fuse F2	6A 1p;From ser.no.:228.
17	1 1	648608700	046994	Contattore K2	Contactor K2	Up to ser. nr. 322
17	1 1	648612900	0L0360	Contattore K2	Contactor K2	From ser. nr. 323
18	1 1	767511112	0E0177	Contattore	Contactor K81	Up to ser. nr. 322
18	1 1	648613100	0L0361	Contattore	Contactor K81	From ser. nr. 323
19	1 1	767511112	0E0177	Contattore	Contactor K8	Up to ser. nr. 322
19	1 1	648613100	0L0361	Contattore	Contactor K8	From ser. nr. 323
20	1 1	767511112	0E0177	Contattore	Contactor K101	Up to ser. nr. 322
20	1 1	648613100	0L0361	Contattore	Contactor K101	From ser. nr. 323
21	1 1	767511112	0E0177	Contattore	Contactor K10	Up to ser. nr. 322
21	1 1	648613100	0L0361	Contattore	Contactor K10	From ser. nr. 323
22	1 1	648608700	046994	Contattore K4	Contactor K4	Up to ser. nr. 322
22	1 1	648612900	0L0360	Contattore K4	Contactor K4	From ser. nr. 323
32	1 1	552212201	0E5170	Rele'	Relay K13	
33	1 1	552212201	0E5170	Rele'	Relay K14	
34	1 1	552212201	0E5170	Rele'	Relay K15	
35	1 1	475934603	0E3032	Barra DIN	DIN bar	L=142
36	3 3	552212200	0E5171	Morsettiera	Main block	
44	1 1	482412700	0E5724	Supporto Termostato	Thermostate Support	
46	1 1	475770402	0E5032	Termostato B2	Thermostate B2	
53	1 1	877525102	072393	Tubo l= 3,5 m	Hose, l=3,5 m	L=2500
54	1 1	482412502	0E5178	Morsettiera	Main block	
55	1 1	476013807	0E0014	Pressostato	Level control switch (LCS)	
55	1 1	475990000	0E5175	Fascetta	Clamp	
55	1 1	482780507	0E5565	Pressostato	Level control switch	From serial no.: 550.. Up to ser.no.112
55	1 1	646618800	0E3731	Pressostato	Level control switch	From ser.no. 113
55	1 1	475990000	0E5175	Fascetta	Clamp	From serial no.: 550..
55	1 1	490120600		Supporto presostato	LCS support	From serial no.: 550..
57	1 1	552210000	0E3051	Dado	Nut	8x1
58	1 1	482447500	0E5726	Supporto termostato	Thermostate Support	
59	1 1	475770402	0E5032	Termostato B4	Thermostate B4	
60	1 1	481950102	0E5086	Termostato di sicurezza	Overheating protection	F11
61	1 1	481601300	0E5176	Fermo	Block	
62	1 1	464289603	0E5174	Morsettiera	Main Block	
63	1 1	482343200	0E5718	Pannello di fissaggio	Mounting plate	

Grassetto = variazioni  
Bold Print = changes

Per gli interruttori automatici vedi bollettino tecnico nr. CG-2003\_21 (pag. 84)  
For automatic fuses see technical bulletin nr. CG-2003\_21 (pag. 84)

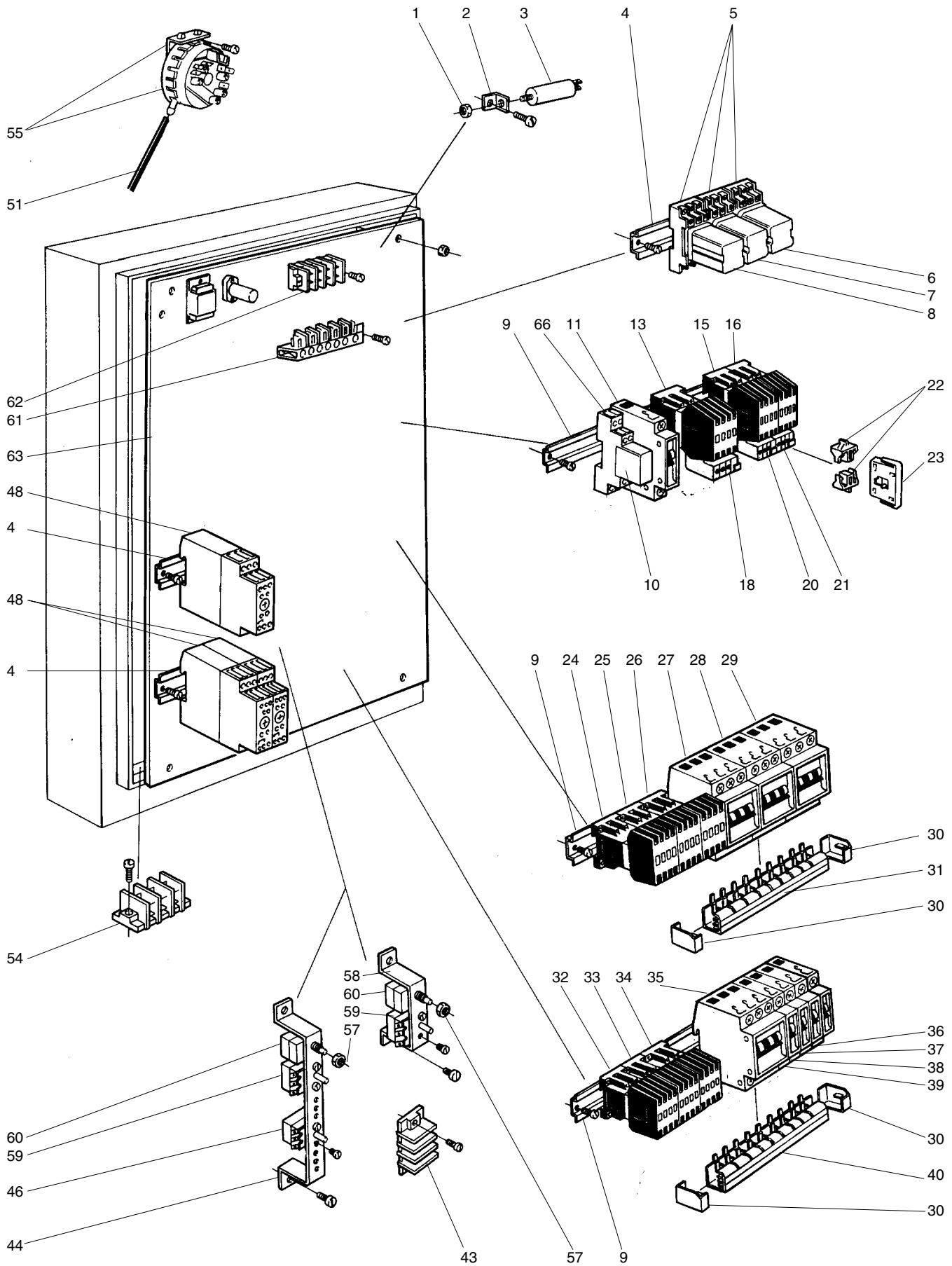


Pos.	Q.tà Q.ty	Art. No	Cod. Ric. Part No	Descrizione	Description	Note Notes
	[ [ [			<b>Risciacquo singolo</b> <b>Risciacquo doppio</b> <b>Risciacquo DUO</b>	<b>Single rinse</b> <b>Double rinse</b> <b>DUO rinse</b>	
1	1 1 1	731232040		Dado	Nut	
2	1 1 1	481934900	0E5716	Squadretta supp. conden.	Ang. mounting plate	
3	1 1 1	763753045	0E0174	Condensatore 2µF	Condenser 2µF	2).4).
4	3 3 3	475934603	0E3032	Barra DIN	DIN bar	L=142
5	3 3 3	552212200	0E5171	Morsettiere	Main block	
6	1 1 1	552212201	0E5170	Rele'	Relay K15	
7	1 1 1	552212201	0E5170	Rele'	Relay K14	
8	1 1 1	552212201	0E5170	Rele'	Relay K13	
9	3 3 3	475934614		Barra DIN	DIN bar	L=370
10	1 1 1	552212301	0E5172	Rele'	Relay K19	
11	1 1 1	552222110	0E5451	Interruttore automatico F2	Automatic fuse F2	10A - Up to Serial No.: 227
11	1 1 1	652605900	0E6014	Interruttore automat. F2	Automatic fuse F2	6A 1p; From ser.no.:228
13	1 1 1	<b>648608700</b>	<b>046994</b>	<b>Contattore</b>	<b>Contactor K2</b>	<b>Up to ser. nr. 322</b>
13	1 1 1	<b>648612900</b>	<b>0L0360</b>	<b>Contattore</b>	<b>Contactor K2</b>	<b>From ser. nr. 323</b>
15	1 1 1	<b>648608700</b>	<b>046994</b>	<b>Contattore</b>	<b>Contactor K4</b>	<b>Up to ser. nr. 322</b>
15	1 1 1	<b>648612900</b>	<b>0L0360</b>	<b>Contattore</b>	<b>Contactor K4</b>	<b>From ser. nr. 323</b>
16	1 1 1	<b>648608700</b>	<b>046994</b>	<b>Contattore</b>	<b>Contactor K41</b>	<b>Up to ser. nr. 322</b>
16	1 1 1	<b>648612900</b>	<b>0L0360</b>	<b>Contattore</b>	<b>Contactor K41</b>	<b>From ser. nr. 323</b>
18	1 1 1	767611200	0E5449	Protettore termico	Motor protection N2	8-11A
20	1 1 1	767620700	0E5450	Protettore termico	Motor protection N4	1,2-1,8A
21	1 1 1	767620700	0E5450	Protettore termico	Motor protection N41	1,2-1,8A
22	2 2 2	767510391	0E5566	Morsetto	Clamp	
23	1 1 1	767510291	0E5567	Morsetto	Clamp	
24	1 1 1	<b>648608700</b>	<b>046994</b>	<b>Contattore</b>	<b>Contactor K8</b>	<b>Up to ser. nr. 322</b>
24	1 1 1	<b>648612900</b>	<b>0L0360</b>	<b>Contattore</b>	<b>Contactor K8</b>	<b>From ser. nr. 323</b>
25	1 1 1	767511109	0E5568	Contattore	Contactor K11	
26	1 1 1	<b>648608700</b>	<b>046994</b>	<b>Contattore</b>	<b>Contactor K10</b>	<b>Up to ser. nr. 322</b>
26	1 1 1	<b>648612900</b>	<b>0L0360</b>	<b>Contattore</b>	<b>Contactor K10</b>	<b>From ser. nr. 323</b>
27	1 1 1	552222325	0E5453	Interruttore termico	Automatic fuse F6	25A
27	1 1 1	552222332	0E2268	Fusibile 32a	Automatic fuse F6	32A
27	1 1 1	552222340	0E2270	Fusibile 40a	Automatic fuse F6	40A
27	1 1 1	552222350	0E5452	Interruttore termico	Automatic fuse F6	50A - Up to Serial No.: 227
27	1 1 1	652606700	0E6020	Interruttore termico	Automatic fuse F6	40A; From Ser.No.:228
28	1 1 1	552222332	0E2268	Fusibile 32a	Automatic fuse F9	32A
28	1 1 1	552222340	0E2270	Fusibile 40a	Automatic fuse F9	40A
28	1 1 1	552222350	0E5452	Interruttore termico	Automatic fuse F9	50A - Up to Serial No.: 227
28	1 1 1	652606800	0L0043	Interruttore aut. F9	Automatic fuse F9	50A 3p;From Ser.No.: 228
29	1 1 1	552222332	0E2268	Fusibile 32a	Automatic fuse F8	32A
29	1 1 1	552222340	0E2270	Fusibile 40a	Automatic fuse F8	40A
29	1 1 1	552222350	0E5452	Interruttore termico	Automatic fuse F8	50A - Up to Serial No.: 227
29	1 1 1	652606800	0L0043	Interruttore aut. F8	Automatic fuse F8	50A 3p;From Ser.No.: 228
30	4 4 4	552550809	0E5561	Terminali Pettine	Phase bar cap	Up to Serial No.: 227
30	4 4 4	699604100		Terminali Pettine	Phase bar cap	From Serial No.: 228
31	1 1 1	552550803	0E5569	Pettine	Phase bar	Up to Serial No.: 227
31	1 1 1	639625900		Pettine	Phase bar	From Serial No.: 228

- 1). Senza ESD / Without ESD
- 2). Con ESD / With ESD
- 3). Senza CU / Without CU
- 4). Con CU / With CU
- 5). Macchine L=3100 / Machine L=3100
- 6). Macchine L=3525 / Machine L=3525
- 7). Con ADT o HAB / With ADT or HAB
- 8). Da Ser. Nr.: 550 .. / From serial no.: 550..

Grassetto = variazioni  
Bold Print = changes

**Per gli interruttori automatici vedi bollettino tecnico nr. CG-2003\_21 (pag. 84)**  
**For automatic fuses see technical bulletin nr. CG-2003\_21 (pag. 84)**

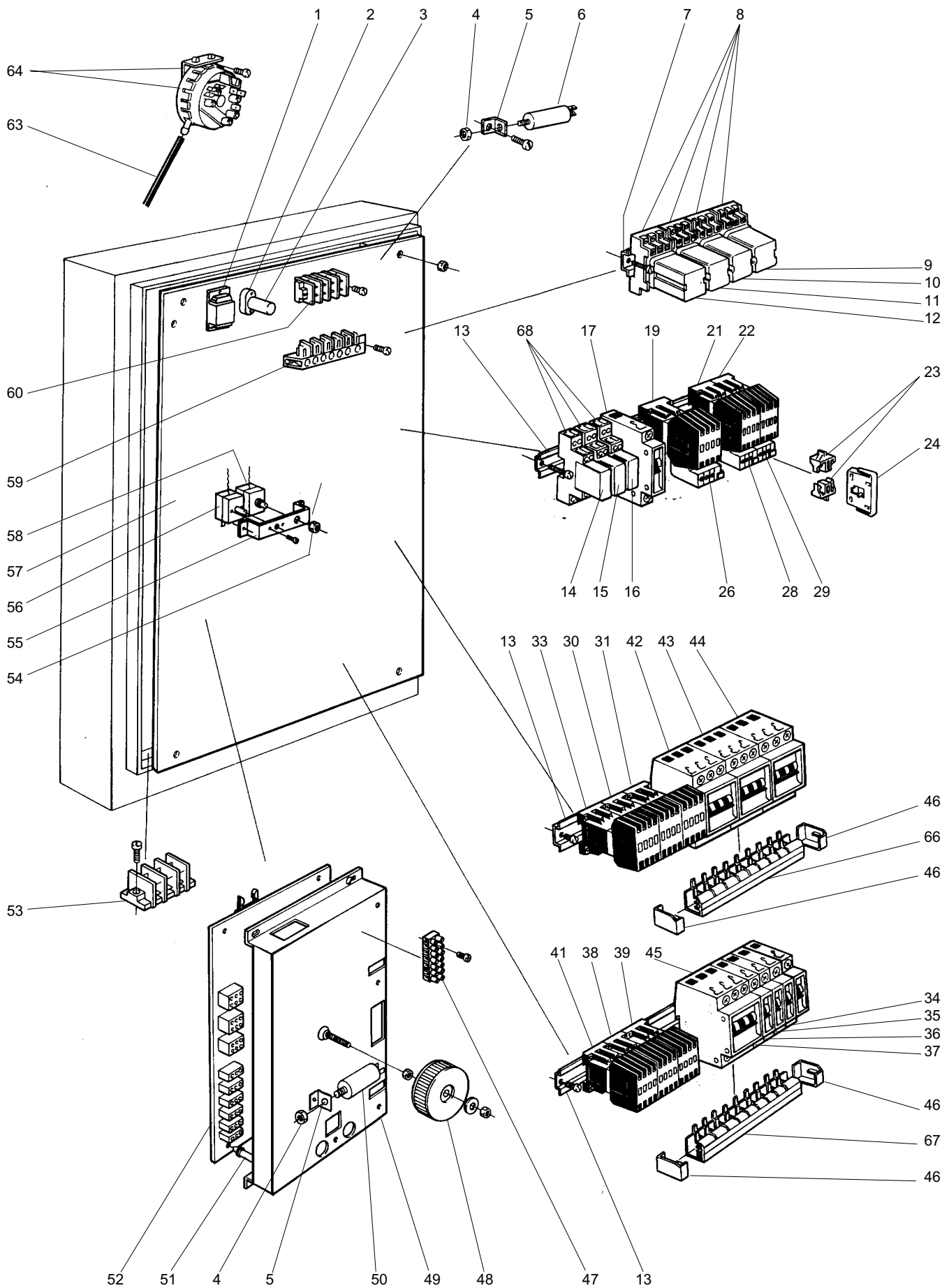


Pos.	Q.tà Q.ty	Art. No	Cod. Ric. Part No	Descrizione	Description	Note Notes
	[			Risciacquo singolo	Single rinse	
	[			Risciacquo doppio	Double rinse	
	[			Risciacquo DUO	DUO rinse	
32	1 1 1	648608700	046994	Contattore	Contactor K81	Up to ser. nr. 322
32	1 1 1	648612900	0L0360	Contattore	Contactor K81	From ser. nr. 323
33	1 1 1	648608700	046994	Contattore	Contactor K111	Up to ser. nr. 322
33	1 1 1	648612900	0L0360	Contattore	Contactor K111	From ser. nr. 323
34	1 1 1	648608700	046994	Contattore	Contactor K101	Up to ser. nr. 322
34	1 1 1	648612900	0L0360	Contattore	Contactor K101	From ser. nr. 323
35	1 1 1	552222316	0E2269	Fusibile 16a	Automatic fuse F4	16A - Up to Serial No.: 227
35	1 1 1	652606300	0E6017	Interruttore 16A	Automatic fuse F4	16A 3p; From Ser.No.: 228
36	1 1 1	552222103	0E5564	Fusibile	Automatic fuse F3	3A - Up to Serial No.: 227
36	1 1 1	652605800	0E6013	Interruttore aut. F3	Automatic fuse F3	3A 1p; From Ser.No.:228
37	1 1 1	552222110	0E5451	Interruttore aut. F21	Automatic fuse F21	10A - Up to Serial No.: 227
37	1 1 1	652606000	0E6015	Interruttore aut. F21	Automatic fuse F21	10A 1p; From Ser. No.: 228
38	1 1 1	552222110	0E5451	Interruttore aut. F16	Automatic fuse F16	10A - Up to Serial No.: 227
38	1 1 1	652606000	0E6015	Interruttore aut. F16	Automatic fuse F16	10A 1p; From Ser. No.: 228
39	1 1 1	552222103	0E5564	Fusibile	Automatic fuse F1	3A - Up to Serial No.: 227
39	1 1 1	652606000	0E6015	Interruttore aut. F1	Automatic fuse F1	10A 1p; From Ser. No.: 228
40	1 1 1	552550802	0E5570	Pettine	Phase bar	Up to Serial No.: 227
40	1 1 1	639625900		Pettine	Phase bar	From Serial No.: 228
43	1 1 1	464289603	0E5174	Morsettiera	Main block	
44	1 1 1	482412700	0E5724	Supporto Termostato	Thermostate Support	
46	1 1 1	475770402	0E5032	Termostato B2	Thermostate B2	
48	3 3 3	482527400	0E5342	Timer	Time relay S17	
51	1 1 1	877525102	072393	Tubo l= 2,5 mt	Hose	L=2500
54	1 1 1	482412502	0E5178	Fermo	Block	
55	1 1 1	476013807	0E0014	Pressostato	Level control switch	
55	1 1 1	475990000	0E5175	Fascetta	Clamp	
55	1 1 1	482780507	0E5565	Pressostato	Level control switch	8). - Up to ser.no.112
55	1 1 1	646618800	0E3731	Pressostato	Level control switch	8). - From ser.no. 113
55	1 1 1	475990000	0E5175	Fascetta	Clamp	8).
55	1 1 1	490120600		Supporto presostato	LCS support	8).
57	1 1 1	552210000	0E3051	Dado	Nut	8x1
58	1 1 1	482447500	0E5726	Supporto termostato	Thermostate Support	
59	1 1 1	475770402	0E5032	Termostato	Thermostate B4	
60	1 1 1	481950102	0E5086	Termostato di sicurezza	Overheating protection F11	
61	1 1 1	481601300	0E5176	Fermo	Block	
62	1 1 1	464289603	0E5174	Morsettiera	Main Block	
63	1 1 1	482411900			Mounting plate	
66	1 1 1	552212300	0E5173	Morsetto	Base	

- 1). Senza ESD / Without ESD
- 2). Con ESD / With ESD
- 3). Senza CU / Without CU
- 4). Con CU / With CU
- 5). Macchine L=3100 / Machine L=3100
- 6). Macchine L=3525 / Machine L=3525
- 7). Con ADT o HAB / With ADT or HAB
- 8). Da Ser. Nr.: 550 .. / From serial no.: 550..

Grassetto = variazioni  
Bold Print = changes

Per gli interruttori automatici vedi bollettino tecnico nr. CG-2003\_21 (pag. 84)  
For automatic fuses see technical bulletin nr. CG-2003\_21 (pag. 84)

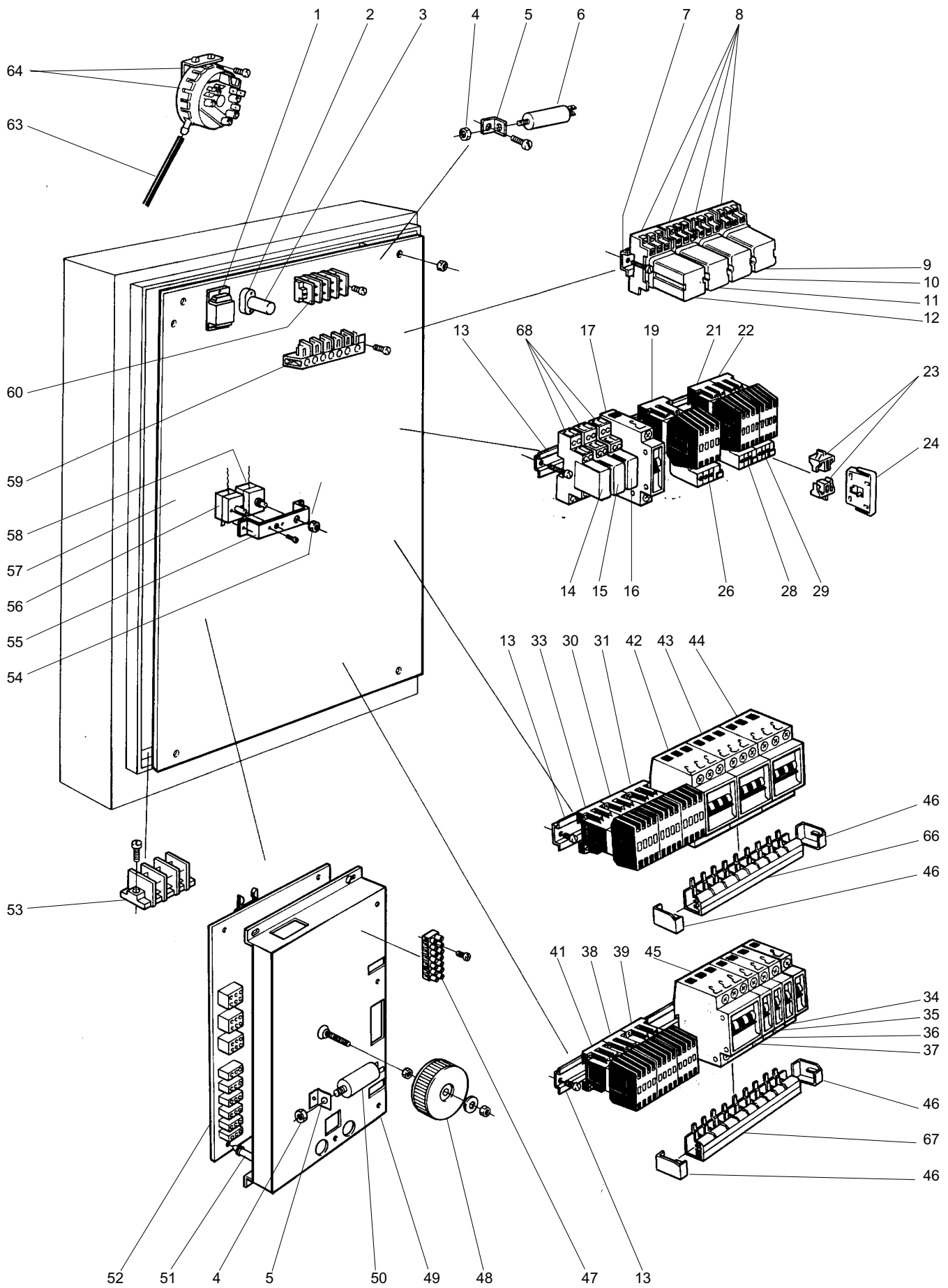


Pos.	Q.tà Q.ty	Art. No	Cod. Ric. Part No	Descrizione	Description	Note Notes
	[			<b>Risciacquo singolo</b>	<b>Single rinse</b>	
	[			<b>Risciacquo doppio</b>	<b>Double rinse</b>	
	[			<b>Risciacquo DUO</b>	<b>DUO rinse</b>	
1	1 1 1	482411800	0E5239	Reattore	Reaktor	
2	1 1 1	482449700	0E5238	Supporto	Ignitor holder	
3	1 1 1	482449800	0E5237	Starter	Ignitor	
4	2 2 2	731232040		Dado	Nut	
5	2 2 2	481934900	0E5716	Squadretta supp. conden.	Ang. mounting plate	
6	1 1 1	763753045	0E0174	Condensatore	Condenser 2µF	2).4).
7	1 1 1	475934603	0E3032	Barra DIN	DIN bar	L=142
8	4 4 4	552212200	0E5171	Morsettiera	Main block	
9	1 1 1	552212201	0E5170	Rele'	Relay K16	
10	1 1 1	552212201	0E5170	Rele'	Relay K15	
11	1 1 1	552212201	0E5170	Rele'	Relay K14	
12	1 1 1	552212201	0E5170	Rele'	Relay K20	
13	3 3 3	475934614		Barra DIN	DIN bar	L=370
14	1 1 1	552212301	0E5172	Rele'	Relay K21	
15	1 1 1	552212301	0E5172	Rele'	Relay K19	
16	1 1 1	552212301	0E5172	Rele'	Relay K17	
17	1 1 1	552222110	0E5451	Interruttore automan. F2	Automatic fuse F2	10A Up to Serial No.: 227
<b>17</b>	<b>1 1 1</b>	<b>652605900</b>	<b>0E6014</b>	<b>Interruttore automat. F2</b>	<b>Automatic fuse F2</b>	<b>6A 1p; From ser. no.: 228</b>
19	1 1 1	767511409	0E0020	Contattore	Contactore K2	
21	1 1 1	767511409	0E0020	Contattore	Contactore K4	
22	1 1 1	767511409	0E0020	Contattore	Contactore K41	
23	2 2 2	767510391	0E5566	Morsetto	Clamp	
24	1 1 1	767510291	0E5567	Morsetto	Clamp	
26	1 1 1	767611200	0E5449	Protettore termico	Motor protection N2	8-11A
28	1 1 1	767620700	0E5450	Protettore termico	Motor protection N4	1,2-1,8A
29	1 1 1	767620700	0E5450	Protettore termico	Motor protection N41	1,2-1,8A
30	1 1 1	767511409	0E0020	Contattore	Contactore K11	
31	1 1 1	767511409	0E0020	Contattore	Contactore K10	
33	1 1 1	767511409	0E0020	Contattore	Contactore K8	
34	1 1 1	552222103	0E5564	Fusibile	Automatic fuse F3	3A - Up to Serial No.: 227
<b>34</b>	<b>1 1 1</b>	<b>652605800</b>	<b>0E6013</b>	<b>Interruttore aut. F3</b>	<b>Automatic fuse F3</b>	<b>3A 1p; From Ser. No.: 228</b>
35	1 1 1	552222110	0E5451	Interruttore aut. F21	Automatic fuse F21	10A- Up to Serial No.: 227
<b>35</b>	<b>1 1 1</b>	<b>652606000</b>	<b>0E6015</b>	<b>Interruttore aut. F21</b>	<b>Automatic fuse F21</b>	<b>10A 1p; From Ser. No.: 228</b>
36	1 1 1	552222110	0E5451	Interruttore aut. F16	Automatic fuse F16	10A - Up to Serial No.: 227
<b>36</b>	<b>1 1 1</b>	<b>652606000</b>	<b>0E6015</b>	<b>Interruttore aut. F16</b>	<b>Automatic fuse F16</b>	<b>10A 1p; From Ser. No.: 228</b>
37	1 1 1	552222103	0E5564	Fusibile	Automatic fuse F1	3A - Up to Serial No.: 227
<b>37</b>	<b>1 1 1</b>	<b>652606000</b>	<b>0E6015</b>	<b>Interruttore aut. F1</b>	<b>Automatic fuse F1</b>	<b>10A 1p; From Ser. No.: 228</b>
38	1 1 1	767511409	0E0020	Contattore	Contactore K111	
39	1 1 1	767511409	0E0020	Contattore	Contactore K101	
41	1 1 1	767511409	0E0020	Contattore	Contactore K81	
42	1 1 1	552222325	0E5453	Interruttore termico	Automatic fuse F6	25A
42	1 1 1	552222332	0E2268	Fusibile 32a	Automatic fuse F6	32A
42	1 1 1	552222340	0E2270	Fusibile 40a	Automatic fuse F6	40A
42	1 1 1	552222350	0E5452	Interruttore termico	Automatic fuse F6	50A - Up to Serial No.: 227
<b>42</b>	<b>1 1 1</b>	<b>652606700</b>	<b>0E6020</b>	<b>Interruttore termico</b>	<b>Automatic fuse F6</b>	<b>40A; From Ser. No.: 228</b>

**Per gli interruttori automatici vedi bollettino tecnico nr. CG-2003\_21 (pag. 84)**  
**For automatic fuses see technical bulletin nr. CG-2003\_21 (pag. 84)**

- 1). Senza ESD / Without ESD
- 2). Con ESD / With ESD
- 3). Senza CU / Without CU
- 4). Con CU / With CU
- 5). Livello 1 / Level 1
- 6). Livello 2-3 / Level 2-3
- 7). Con ADT o HAB / With ADT or HAB
- 8). Da Ser. Nr.: 550 .. / From serial no.: 550..

Grassetto = variazioni  
Bold Print = changes

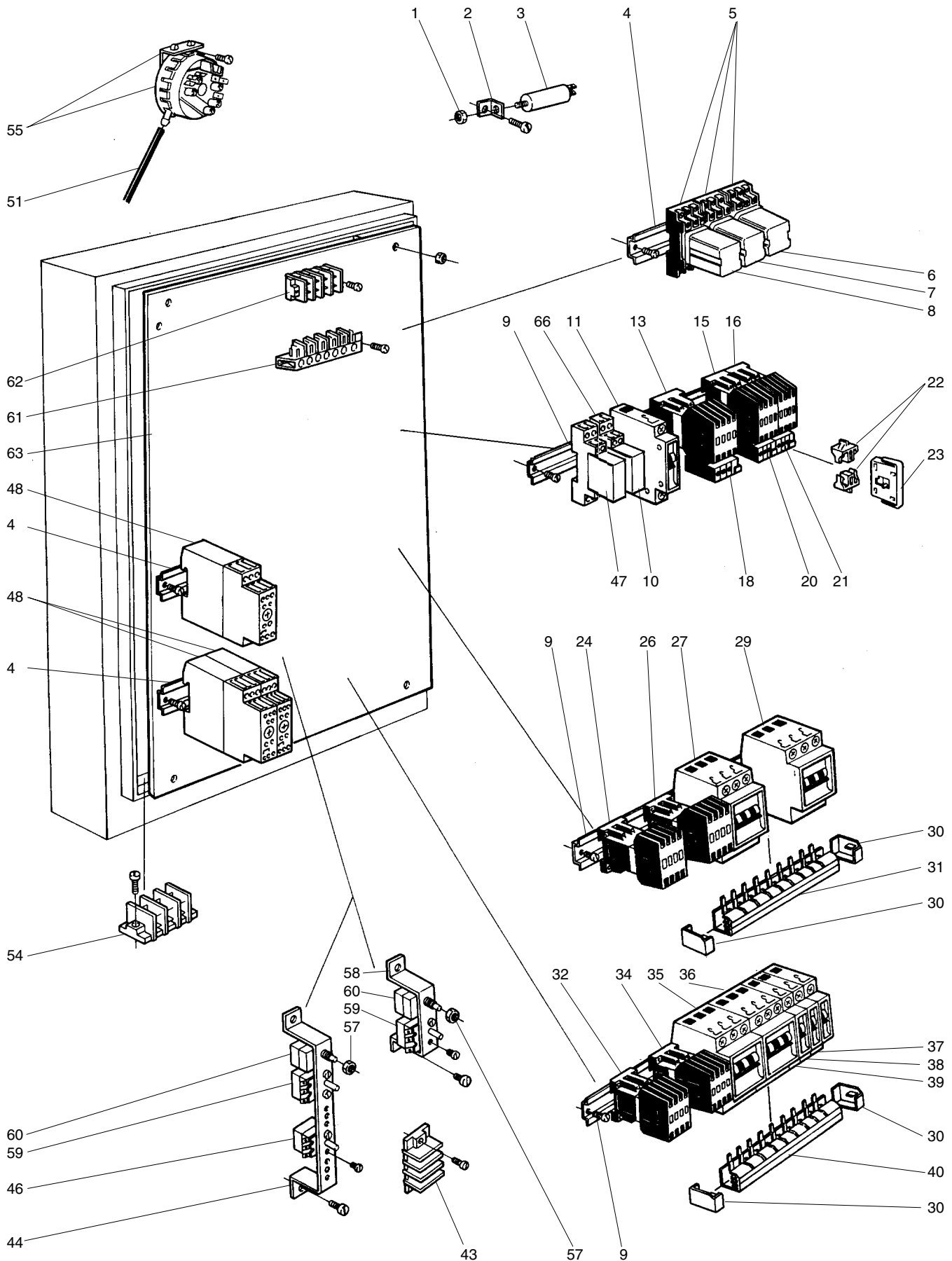


Pos.	Q.tà Q.ty	Art. No	Cod. Ric. Part No	Descrizione	Description	Note Notes
	[ [ [			<b>Risciacquo singolo</b> <b>Risciacquo doppio</b> <b>Risciacquo DUO</b>	<b>Single rinse</b> <b>Double rinse</b> <b>DUO rinse</b>	
43	1 1 1	552222332	0E2268	Fusibile 32a	Automatic fuse F9	32A
43	1 1 1	552222340	0E2270	Fusibile 40a	Automatic fuse F9	40A
43	1 1 1	552222350	0E5452	Interruttore termico	Automatic fuse F9	50A- Up to Serial No.: 227
<b>43</b>	<b>1 1 1</b>	<b>652606800</b>	<b>0L0043</b>	<b>Interruttore aut. F9</b>	<b>Automatic fuse F9</b>	<b>50A 3p; From Ser. No.: 228</b>
44	1 1 1	552222332	0E2268	Fusibile 32a	Automatic fuse F8	32A
44	1 1 1	552222340	0E2270	Fusibile 40a	Automatic fuse F8	40A
44	1 1 1	552222350	0E5452	Interruttore termico	Automatic fuse F8	50A - Up to Serial No.: 227
<b>44</b>	<b>1 1 1</b>	<b>652606800</b>	<b>0L0043</b>	<b>Interruttore aut. F8</b>	<b>Automatic fuse F8</b>	<b>50A 3p; From Ser. No.: 228</b>
45	1 1 1	552222316	0E2269	Fusibile 16a	Automatic fuse F4	16A- Up to Serial No.: 227
<b>45</b>	<b>1 1 1</b>	<b>652606300</b>	<b>0E6017</b>	<b>Interruttore 16A</b>	<b>Automatic fuse F4</b>	<b>16A 3p; From Ser. No.: 228</b>
46	4 4 4	552550809	0E5561	Terminali pettine	Phase bar cap	Up to Serial No.: 227
<b>46</b>	<b>4 4 4</b>	<b>699604100</b>		<b>Terminali Pettine</b>	<b>Phase bar cap</b>	<b>From Serial No.: 228</b>
47	1 1 1	762721555	0E5571	Fermo	Block	
48	1 1 1	624604400	0L0174	Trasformatore toroid.	Transformer	
49	1 1 1	482422400		Pannello di fissaggio	Mounting plate	
50	1 1 1	482686000	0E5572	Filtro	Filter	
51	9 9 9	475795400	0E5573	Distanziale	Spacer	
52	1 1 1	482266300	0E5164	Scheda	PCB	
53	1 1 1	482412502	0E5178	Fermo	Block	
54	1 1 1	552210000	0E3051	Dado	Nut	8x1
55	1 1 1	482447500		Supporto termostato	Thermostate support	
56	1 1 1	475770402	0E5032	Termostato B7	Thermostate B7	
57	1 1 1	482411900		Pannello di fissaggio	Mounting plate	
58	1 1 1	481950102	0E5086	Termostato di sicurezza	Overheating protection F11	
59	1 1 1	481601300	0E5176	Fermo	Block	
60	1 1 1	464289603	0E5174	Morsettiera	Block	
63	1 1 1	W00537200	072393	Tubo l= 2,5 mt	Hose	L=2500
64	1 1 1	476013807	0E0014	Pressostato	Level control switch	
64	1 1 1	475990000	0E5175	Fascetta	Clamp	
64	1 1 1	482780507	0E5565	Pressostato	Level control switch	8). Up to ser.no.112
64	1 1 1	646618800	0E3731	Pressostato	Level control switch	From ser.no. 113
64	1 1 1	475990000	0E5175	Fascetta	Clamp	8).
64	1 1 1	490120600			Mounting plate	8).
66	1 1 1	552550803	0E5569	Pettine	Phase bar	Up to Serial No.: 227
<b>66</b>	<b>1 1 1</b>	<b>639625900</b>		<b>Pettine</b>	<b>Phase bar</b>	<b>From Serial No.: 228</b>
67	1 1 1	552550802	0E5570	Pettine	Phase bar	Up to Serial No.: 227
<b>67</b>	<b>1 1 1</b>	<b>639625900</b>		<b>Pettine</b>	<b>Phase bar</b>	<b>From Serial No.: 228</b>
68	1 1 1	552212300	0E5173	Morsetto	Base	

**Per gli interruttori automatici vedi bollettino tecnico nr. CG-2003\_21 (pag. 84)**  
**For automatic fuses see technical bulletin nr. CG-2003\_21 (pag. 84)**

- 1). Senza ESD / Without ESD
- 2). Con ESD / With ESD
- 3). Senza CU / Without CU
- 4). Con CU / With CU
- 5). Livello 1 / Level 1
- 6). Livello 2-3 / Level 2-3
- 7). Con ADT o HAB / With ADT or HAB
- 8). Da Ser. Nr.: 550 .. / From serial no.: 550..

Grassetto = variazioni  
Bold Print = changes

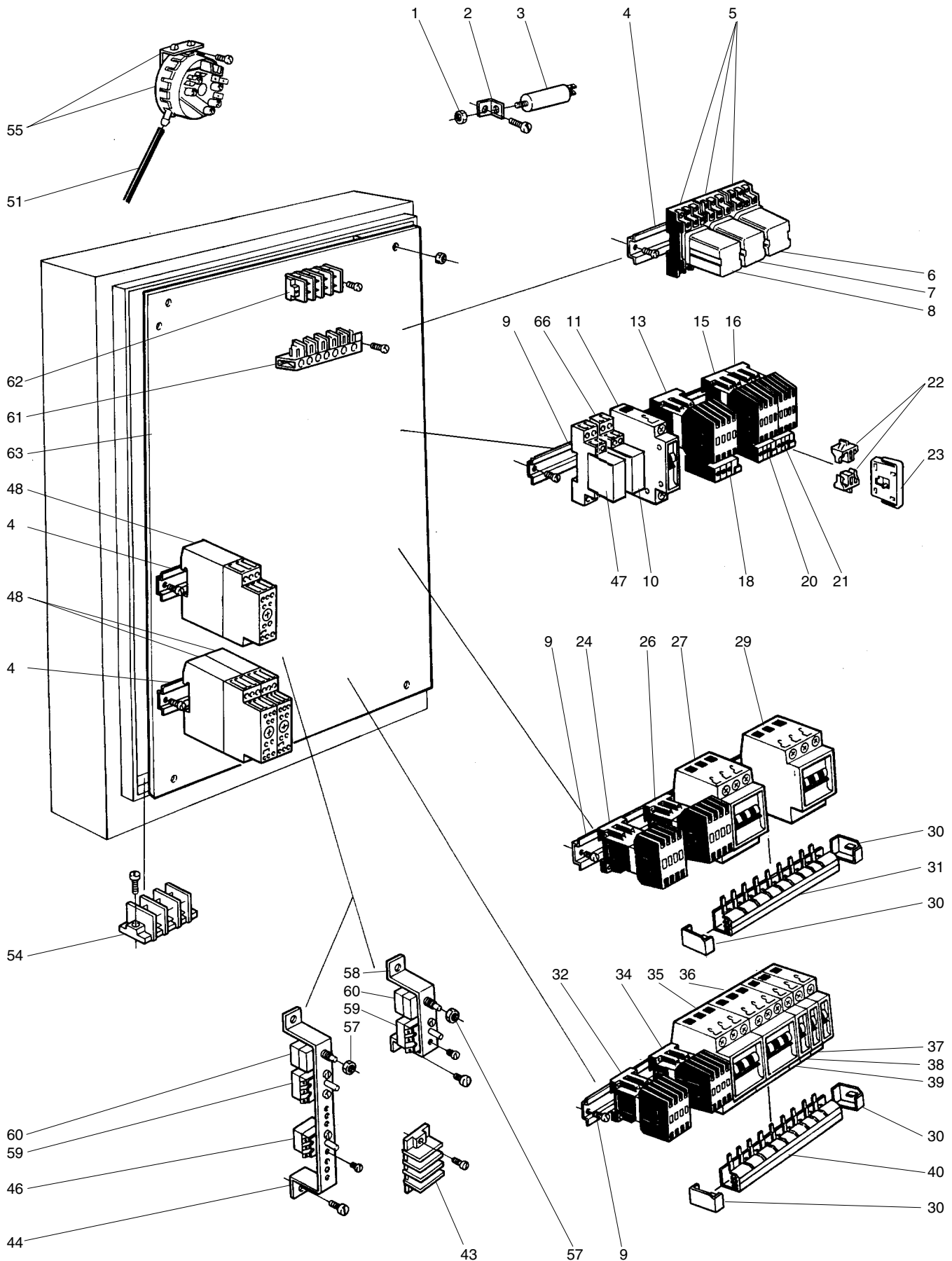


Per gli interruttori automatici vedi bollettino tecnico nr. CG-2003\_21 (pag. 84)  
 For automatic fuses see technical bulletin nr. CG-2003\_21 (pag. 84)

Pos.	Q.tà Q.ty	Art. No	Cod. Ric. Part No	Descrizione	Description	Note Notes
	[			<b>Risciacquo singolo</b>	<b>Single rinse</b>	
	[			<b>Risciacquo doppio</b>	<b>Double rinse</b>	
	[			<b>Risciacquo DUO</b>	<b>DUO rinse</b>	
1	1 1 1	731232040		Dado	Nut	
2	1 1 1	481934900	0E5716	Squadretta supp. conden.	Ang. mounting plate	
3	1 1 1	763753045	0E0174	Condensatore	Condenser 2µF	2).
4	3 3 3	475934603	0E3032	Barra DIN	DIN bar	L=142
5	3 3 3	552212200	0E5171	Morsettiera	Main block	
6	1 1 1	552212201	0E5170	Rele'	Relay K15	
7	1 1 1	552212201	0E5170	Rele'	Relay K14	
8	1 1 1	552212201	0E5170	Rele'	Relay K13	
9	3 3 3	475934614		Barra DIN	DIN bar	L=370
10	1 1 1	552212301	0E5172	Rele'	Relay K19	
11	1 1 1	552222110	0E5451	Interruttore aut. F2	Automatic fuse F2	10A; up to ser. no.: 901..
11	1 1 1	652605100	0E5902	Interruttore aut. F2	Automatic fuse F2	6A 1p;From ser. no.: 902. Up to Serial No.: 227
11	1 1 1	652605900	0E6014	Interruttore automat. F2	Automatic fuse F2	6A 1p; From ser.no.:228
13	1 1 1	<b>648608700</b>	<b>046994</b>	<b>Contattore</b>	<b>Contactor K2</b>	<b>Up to ser. nr. 322</b>
13	1 1 1	<b>648612900</b>	<b>0L0360</b>	<b>Contattore</b>	<b>Contactor K2</b>	<b>From ser. nr. 323</b>
15	1 1 1	<b>648608700</b>	<b>046994</b>	<b>Contattore</b>	<b>Contactor K4</b>	<b>Up to ser. nr. 322</b>
15	1 1 1	<b>648612900</b>	<b>0L0360</b>	<b>Contattore</b>	<b>Contactor K4</b>	<b>From ser. nr. 323</b>
16	1 1 1	<b>648608700</b>	<b>046994</b>	<b>Contattore</b>	<b>Contactor K41</b>	<b>Up to ser. nr. 322</b>
16	1 1 1	<b>648612900</b>	<b>0L0360</b>	<b>Contattore</b>	<b>Contactor K41</b>	<b>From ser. nr. 323</b>
18	1 1 1	767611000	0E5220	Protettore	Motor protection N2	4-6A
20	1 1 1	767620500	0E5124	Protezione	Motor protection N4	0,6-0,9A
21	1 1 1	767620500	0E5124	Protezione	Motor protection N41	0,6-0,9A
22	2 2 2	767510391	0E5566	Morsetto	Clamp	
23	1 1 1	767510291	0E5567	Morsetto	Clamp	
24	1 1 1	<b>648608700</b>	<b>046994</b>	<b>Contattore</b>	<b>Contactor K8</b>	<b>Up to ser. nr. 322</b>
24	1 1 1	<b>648612900</b>	<b>0L0360</b>	<b>Contattore</b>	<b>Contactor K8</b>	<b>From ser. nr. 323</b>
26	1 1 1	<b>648608700</b>	<b>046994</b>	<b>Contattore K10</b>	<b>Contactor K10</b>	<b>1). - Up to ser. nr. 322</b>
26	1 1 1	<b>648612900</b>	<b>0L0360</b>	<b>Contattore K10</b>	<b>Contactor K10</b>	<b>1). - From ser. nr. 323</b>
26	1 1 -	<b>767511112</b>	<b>0E0177</b>	<b>Contattore K10</b>	<b>Contactor K10</b>	<b>2). - Up to ser. nr. 322</b>
26	1 1 -	<b>648613100</b>	<b>0L0361</b>	<b>Contattore K10</b>	<b>Contactor K10</b>	<b>2). - From ser. nr. 323</b>
27	1 1 1	552222316	0E2269	Interruttore 16a aut.c	Automatic fuse F6	16A 3p; up to ser.no.:901
27	1 1 1	552222325	0E5453	Interruttore termico F6	Automatic fuse F6	25A; up to ser. no.: 901
27	1 1 1	652604600	0E5897	Interruttore aut. F6	Automatic fuse F6	25 A 3p; From ser. no.: 902 Up to Serial No.: 227
27	1 1 1	652606500	0E6018	Interruttore termico	Automatic fuse F6	25 A 3p; From Ser.No.:228
27	1 1 1	652604400	0E5895	Interruttore aut. F6	Automatic fuse F6	16A; From ser.no.:902 Up to Serial No.: 227
27	1 1 1	652606300	0E6017	Interruttore termico	Automatic fuse F6	16 A; From Ser.No.:228
29	- - 1	552222320	0E2271	Fusibile 20a	Automatic fuse F8	20A; Without ESD; Without CU; up to ser.no.:901
29	- - 1	652604500	0E5896	Interruttore aut. F8	Automatic fuse F8	20A; Without ESD; Without CU; From ser.no.:902. Up to Serial No.: 227
29	- - 1	652606400	0L0042	Interruttore aut. F8	Automatic fuse F8	1). - 20A 3p; From Ser.:228
29	- - 1	552222325	0E5453	Interruttore termico	Automatic fuse F8	25A; With ESD; up to ser. no.: 901
29	- - 1	652604600	0E5897	Interruttore aut. F8	Automatic fuse F8	25A 3p; With ESD; From ser.:902 Up to Serial No.: 227
29	- - 1	652606500	0E6018	Interruttore aut. F8	Automatic fuse F8	25A 3p; With ESD; From Ser. No.: 228
29	- - 1	552222332	0E2268	Interruttore 32a 3p	Automatic fuse F8; 32A	With CU; up to ser. no.: 901
29	- - 1	652604700	0E5898	Interruttore aut. F8	Automatic fuse F8; 32A 3p	With CU; From ser. no.: 902
29	1 1 -	552222332	0E2268	Interruttore 32a 3p	Automatic fuse F8; 32A	Without CU; up to ser. no.: 901
29	1 1 -	652604700	0E5898	Interruttore aut. F8	Automatic fuse F8; 32A 3p	Without CU; From ser. no.: 902 Up to Ser. No.: 227
29	1 1 -	652606600	0E6019	Interruttore aut. F8	Automatic fuse F8	32A 3p; Without CU From Ser. No.: 228
29	1 1 -	652604900	0E5900	Interruttore aut. F8; 50A 3p	Automatic fuse F8; 50A 3p	With CU; From ser. no.: 902..

Grassetto = variazioni  
Bold Print = changes

1). Without ESD and without CU.  
2). With ESD and CU.

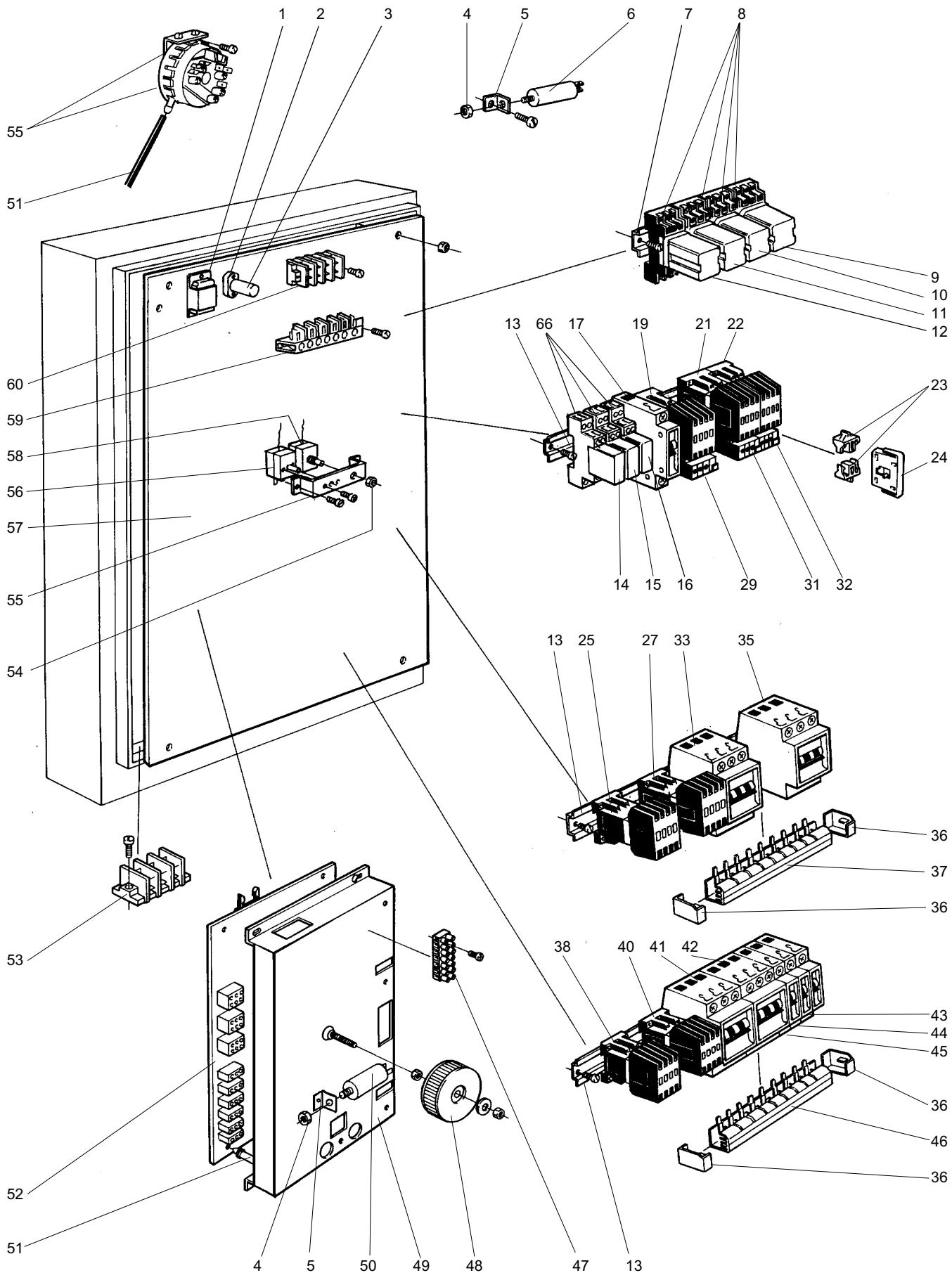


Per gli interruttori automatici vedi bollettino tecnico nr. CG-2003\_21 (pag. 84)  
 For automatic fuses see technical bulletin nr. CG-2003\_21 (pag. 84)

Pos.	Q.tà Q.ty	Art. No	Cod. Ric. Part No	Descrizione	Description	Note Notes
	[ [ [			<b>Risciacquo singolo</b> <b>Risciacquo doppio</b> <b>Risciacquo DUO</b>	<b>Single rinse</b> <b>Double rinse</b> <b>DUO rinse</b>	
29	1 1 1	652606800	0L0043	Interruttore aut. F8	Automatic fuse F8	Up to Serial No.: 227
30	4 4 4	552550809	0E5561	Terminali pettine	Phase bar cap	50A 3p;From Ser. No.: 228
30	4 4 4	699604100		Terminali Pettine	Phase bar cap	Up to Serial No.: 227
31	1 1 1	552550802	0E5570	Pettine	Phase bar	From Serial No.: 228
31	1 1 1	639625900		Pettine	Phase bar	Up to Serial No.: 227
<b>32</b>	<b>1 1 1</b>	<b>648608700</b>	<b>046994</b>	<b>Contattore</b>	<b>Contactor K81</b>	From Serial No.: 228
<b>32</b>	<b>1 1 1</b>	<b>648612900</b>	<b>0L0360</b>	<b>Contattore</b>	<b>Contactor K81</b>	<b>Up to ser. nr. 322</b>
<b>34</b>	<b>- - 1</b>	<b>648608700</b>	<b>046994</b>	<b>Contattore</b>	<b>Contactor K101</b>	<b>From ser. nr. 323</b>
<b>34</b>	<b>- - 1</b>	<b>648612900</b>	<b>0L0360</b>	<b>Contattore</b>	<b>Contactor K101</b>	<b>1).- Up to ser. nr. 322</b>
<b>34</b>	<b>1 1 -</b>	<b>767511112</b>	<b>0E0177</b>	<b>Contattore</b>	<b>Contactor K101</b>	<b>1).-From ser. nr. 323</b>
<b>34</b>	<b>1 1 -</b>	<b>648613100</b>	<b>0L0361</b>	<b>Contattore K10</b>	<b>Contactor K101</b>	<b>2). - Up to ser. nr. 322</b>
35	1 1 1	552222116	0E5729	Interruttore aut. F10	Automatic fuse F10	<b>2). - From ser. nr. 323</b>
35	1 1 1	652604500	0E5896	Interruttore aut. F10	Automatic fuse F10	16A; With ADT or HAB
						20A;With ADT or HAB.;
						Fromser.no.:902.
35	1 1 1	652606400	0L0042	Interruttore aut. F10	Automatic fuse F10	Up to Serial No.: 227
36	1 1 1	552222310	0E2309	Fusibile	Automatic fuse F4	20A 3p;With ADT or HAB.;
36	1 1 1	652604300	0E5894	Fusibile	Automatic fuse F4	From Ser. No.: 228
36	1 1 1	652606200	0L0041	Fusibile	Automatic fuse F4	10A; up to ser.no.:901..
37	1 1 1	552222103	0E5564	Fusibile	Automatic fuse F3	10A;From ser.no.:902.
37	1 1 1	652605000	0E5901	Interruttore aut. F3	Automatic fuse F3	Up to Serial No.: 227
37	1 1 1	652605800	0E6013	Interruttore aut. F3	Automatic fuse F3	10A 3p;From Ser. No.: 228
38	1 1 1	552222110	0E5451	Interruttore aut. F16	Automatic fuse F16	3A; up to ser.no.:901..
38	1 1 1	652605200	0E5903	Interruttore aut. F16	Automatic fuse F16	3A 1p;From ser.no.:902.
						Up to Serial No.: 227
38	1 1 1	652606000	0E6015	Interruttore aut. F16	Automatic fuse F16	3A 1p; From Ser.No.:228
39	1 1 1	552222103	0E5564	Fusibile	Automatic fuse F1	10A; up to ser. no.: 901..
39	1 1 1	652605200	0E5903	Interruttore aut. F1	Automatic fuse F1	10A 1p;From ser. no.: 902.
						Up to Serial No.: 227
39	1 1 1	652606000	0E6015	Interruttore aut. F1	Automatic fuse F1	10A 1p; From Ser.No.: 228
40	1 1 1	552550802	0E5570	Pettine	Phase bar	Up to ser.no.:901..
40	1 1 1	552550803	0E5569	Pettine	Phase bar	10A 1p;From ser.no.:902.
						Up to Serial No.: 227
40	1 1 1	639625900		Pettine	Phase bar	With ADT and HAB
43	1 1 1	464289603	0E5174	Morsettiera	Main Block	Up to Serial No.: 227
44	1 1 1	482412700	0E5724	Supporto termostato	Thermostate support	From Ser. No.: 228
46	1 1 1	475770402	0E5032	Termostato B2	Thermostate B2	
47	1 1 1	W00502200	0E5172	Rele' KTP	Relay KTP	Optional ;From ser. no.: 016
48	3 3 3	482527400	0E5342	Timer	Time relay S17	
51	1 1 1	877525102	072393	Tubo l= 2,5 mt	Hose	L=2500
54	1 1 1	482412502	0E5178	Fermo	Block	
55	1 1 1	476013807	0E0014	Pressostato	Level control switch	
55	1 1 1	475990000	0E5175	Fascetta	Clamp	
55	1 1 1	482780507	0E5565	Pressostato	Level control switch	From s.n.:550/Up to s.112
55	1 1 1	646618800	0E3731	Pressostato	Level control switch	From ser.no. 113
55	1 1 1	475990000	0E5175	Fascetta	Clamp	From serial no.: 550
55	1 1 1	490120600		Supporto presostato	LCS support	From serial no.: 550
57	1 1 1	552210000	0E3051	Dado	Nut	8x1
58	1 1 1	482447500	0E5726	Supporto termostato	Thermostate support	
59	1 1 1	475770402	0E5032	Termostato	Thermostate B4	
60	1 1 1	481950102	0E5086	Termostato di sicurezza	Overheating protection F1	
61	1 1 1	481601300	0E5176	Fermo	Block	
62	1 1 1	464289603	0E5174	Morsettiera	Main block	
63	1 1 1	482411900	0E5785	Pannello di fissaggio	Mounting plate	
66	2 2 2	552212300	0E5173	Morsetto	Base	

Grassetto = variazioni  
Bold Print = changes

1). Without ESD and without CU.  
2). With ESD and CU.

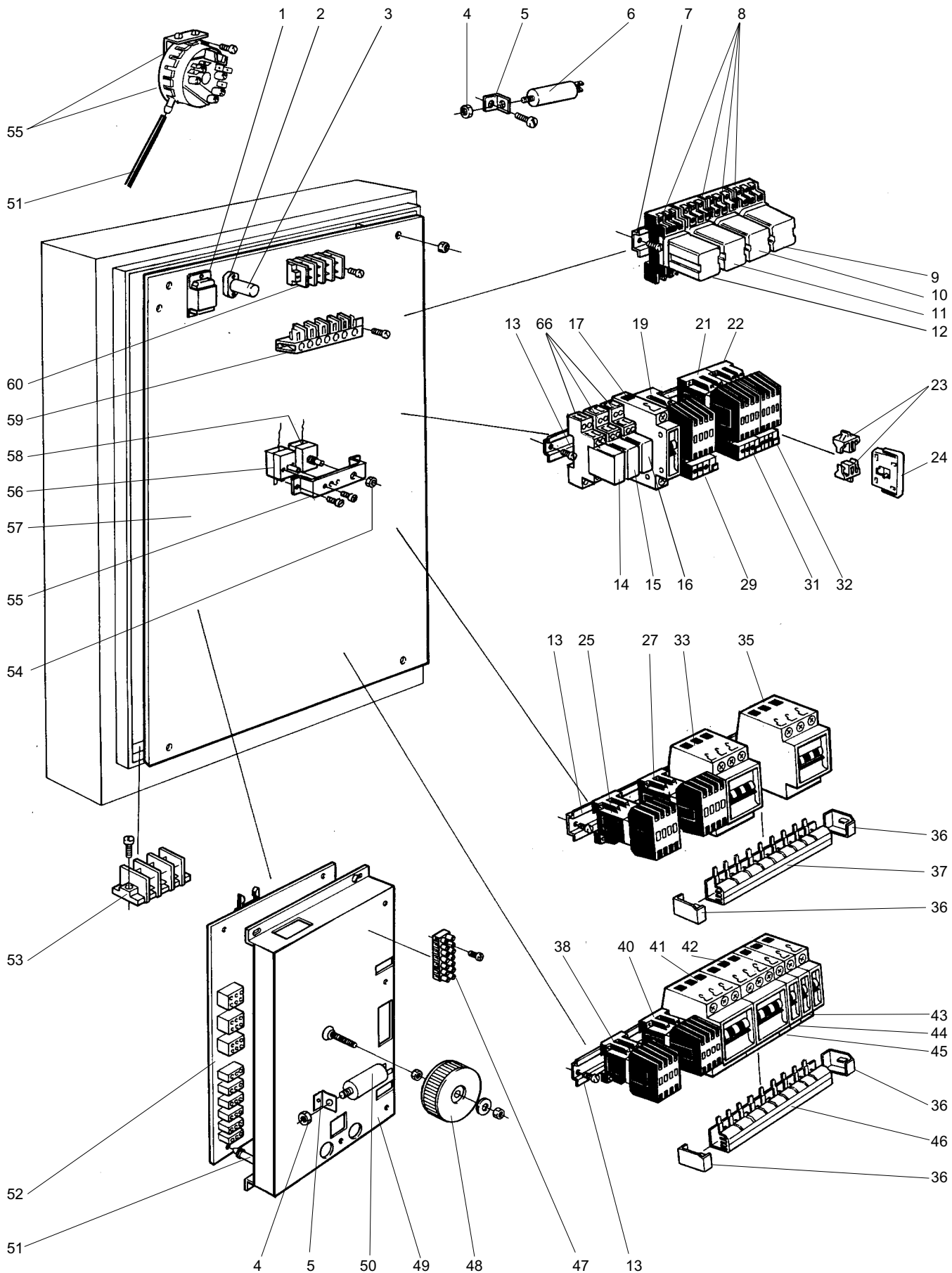


Pos.	Q.tà Q.ty	Art. No	Cod. Ric. Part No	Descrizione	Description	Note Notes
	[			<b>Risciacquo singolo</b>	<b>Single rinse</b>	
	[			<b>Risciacquo doppio</b>	<b>Double rinse</b>	
	[			<b>Risciacquo DUO</b>	<b>DUO rinse</b>	
1	1 1 1	482411800	0E5239	Reattore	Reaktor	
2	1 1 1	482449700	0E5238	Supporto	Ignitor holder	
3	1 1 1	482449800	0E5237	Starter	gnitor	
4	2 2 2	731232040		Dado	Nut	
5	2 2 2	481934900	0E5716	Squadretta supp. conden.	Ang. mounting plate	
6	1 1 1	763753045	0E0174	Condensatore 2µF	Condenser 2µF	2).4).
7	1 1 1	475934603	0E3032	Barra DIN	DIN bar	L=142
8	4 4 4	552212200	0E5171	Morsettiera	Main block	
9	1 1 1	552212201	0E5170	Rele'	Relay K16	
10	1 1 1	552212201	0E5170	Rele'	Relay K15	
11	1 1 1	552212201	0E5170	Rele'	Relay K14	
12	1 1 1	552212201	0E5170	Rele'	Relay K20	
13	3 3 3	475934614		Barra DIN	DIN bar	L=370
14	1 1 1	552212301	0E5172	Rele'	Relay K21	
15	1 1 1	552212301	0E5172	Rele'	Relay K19	
16	1 1 1	552212301	0E5172	Rele'	Relay K17	
17	1 1 1	552222110	0E5451	Interruttore aut. F2	Automatic fuse F2	10A - Up to Serial No.: 227
<b>17</b>	<b>1 1 1</b>	<b>652605900</b>	<b>0E6014</b>	<b>Interruttore automat. F2</b>	<b>Automatic fuse F2</b>	<b>6A 1p; From ser. no.: 228</b>
19	1 1 1	767511409	0E0020	Contattore	Contactore K2	
21	1 1 1	767511409	0E0020	Contattore	Contactore K4	
22	1 1 1	767511409	0E0020	Contattore	Contactore K41	
23	2 2 2	767510391	0E5566	Morsetto	Clamp	
24	1 1 1	767510291	0E5567	Morsetto	Clamp	
25	1 1 1	767511409	0E0020	Contattore	Contactore K8	
27	- - 1	767511409	0E0020	Contattore	Contactore K10	1).2).3).4).
27	1 1 -	767511409	0E0020	Contattore	Contactore K10	1).3).
27	1 1 -	767511112	0E0177	Contattore	Contactore K10	2).4).
29	1 1 1	767611000	0E5220	Protettore	Motor protection N2	4-6A
31	1 1 1	767620500	0E5124	Protezione	Motor protection N4	0,6-0,9A
32	1 1 1	767620500	0E5124	Protezione	Motor protection N41	0,6-0,9A
33	1 1 1	552222316	0E2269	Fusibile 16a	Automatic fuse F6	16A
33	1 1 1	552222325	0E5453	Interruttore termico	Automatic fuse F6	25A
<b>33</b>	<b>1 1 1</b>	<b>652606500</b>	<b>0E6018</b>	<b>Interruttore termico</b>	<b>Automatic fuse F6</b>	Up to Serial No.: 227
35	1 1 -	552222332	0E2268	Fusibile 32a	Automatic fuse F8	<b>25 A 3p; From Ser. No.: 228</b>
<b>35</b>	<b>1 1 -</b>	<b>652606600</b>	<b>0E6019</b>	<b>Interruttore aut. F8</b>	<b>Automatic fuse F8</b>	32A - 1).2).3).4).
35	1 1 -	552222350	0E5452	Interruttore termico	Automatic fuse F8	Up to Serial No.: 227
<b>35</b>	<b>1 1 -</b>	<b>652606800</b>	<b>0L0043</b>	<b>Interruttore termico</b>	<b>Automatic fuse F8</b>	<b>32A 3p - 1).2).3).4).</b>
35	- - 1	552222320	0E2271	Fusibile 20a	Automatic fuse F8	<b>From Ser. No.: 228</b>
<b>35</b>	<b>- - 1</b>	<b>652606400</b>	<b>0L0042</b>	<b>Interruttore aut. F8</b>	<b>Automatic fuse F8</b>	50A - 4).
35	- - 1	552222325	0E5453	Interruttore termico	Automatic fuse F8	Up to Ser. No.: 227
<b>35</b>	<b>- - 1</b>	<b>652606500</b>	<b>0E6018</b>	<b>Interruttore termico</b>	<b>Automatic fuse F8</b>	Up to Serial No.: 227
36	4 4 4	552550809	0E5561	Terminali pettine	Phase bar cap	<b>20A 3p; 1). 3).</b>
<b>36</b>	<b>4 4 4</b>	<b>699604100</b>		<b>Terminali pettine</b>	<b>Phase bar cap</b>	<b>From Ser. No.: 228</b>

Per gli interruttori automatici vedi bollettino tecnico nr. CG-2003\_21 (pag. 84)  
For automatic fuses see technical bulletin nr. CG-2003\_21 (pag. 84)

- 1). Senza ESD / Without ESD
- 2). Con ESD / With ESD
- 3). Senza CU / Without CU
- 4). Con CU / With CU
- 5). Livello 1 / Level 1
- 6). Livello 2-3 / Level 2-3
- 7). Con ADT o HAB / With ADT or HAB
- 8). Da Ser. Nr.: 550 .. / From serial no.: 550..

Grassetto = variazioni  
Bold Print = changes

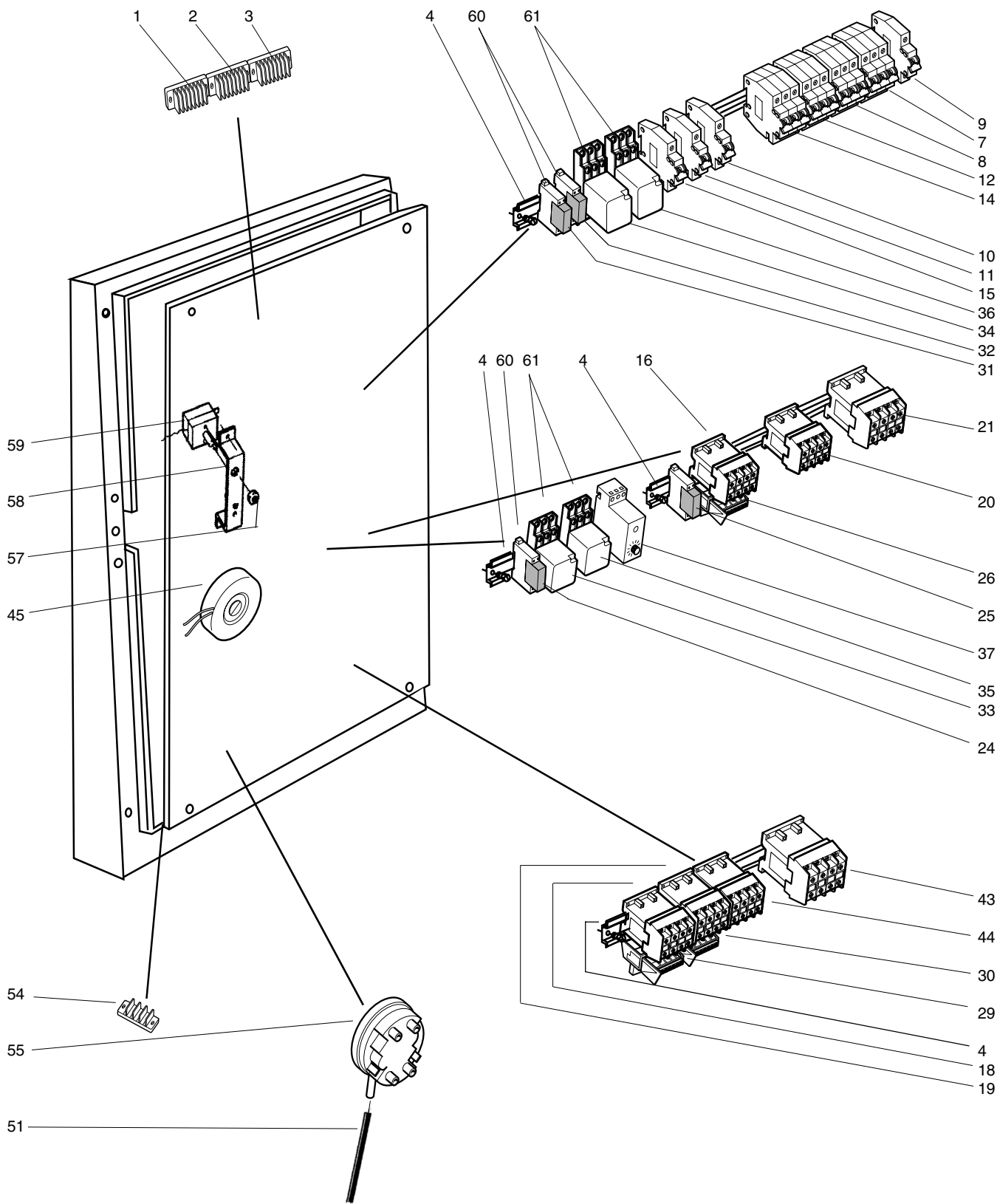


Pos.	Q.tà Q.ty	Art. No	Cod. Ric. Part No	Descrizione	Description	Note Notes
	[ [ [			<b>Risciacquo singolo</b> <b>Risciacquo doppio</b> <b>Risciacquo DUO</b>	<b>Single rinse</b> <b>Double rinse</b> <b>DUO rinse</b>	
37	1 1 1	552550802	0E5570	Pettine	Phase bar	Up to Serial No.: 227
<b>37</b>	<b>1 1 1</b>	<b>639625900</b>		<b>Pettine</b>	<b>Phase bar</b>	<b>From Ser. No.: 228</b>
38	1 1 1	767511409	0E0020	Contattore	Contactore K81	
40	- - 1	767511409	0E0020	Contattore	Contactore K101	1).2).3).4).
40	1 1 -	767511409	0E0020	Contattore	Contactore K101	1).3).
40	1 1 -	767511112	0E0177	Contattore	Contactore K101	2).4).
41	1 1 1	552222316	0E2269	Fusibile 16a	Automatic fuse F10	16A- 7).
42	1 1 1	552222310	0E2309	Fusibile	Automatic fuse F4	10A, Up to Ser. No.: 227
<b>42</b>	<b>1 1 1</b>	<b>652606200</b>	<b>0L0041</b>	<b>Interruttore aut. F4</b>	<b>Automatic fuse F4</b>	<b>10A 3p; From Ser. No.: 228</b>
43	1 1 1	552222103	0E5564	Fusibile	Automatic fuse F3	3A; Up to Ser. No.: 227
<b>43</b>	<b>1 1 1</b>	<b>652605800</b>	<b>0E6013</b>	<b>Interruttore aut. F3</b>	<b>Automatic fuse F3</b>	<b>3A 1p; From Ser. No.: 228</b>
44	1 1 1	552222110	0E5451	Fusibile	Automatic fuse F16	10A; Up to Ser. No.: 227
<b>44</b>	<b>1 1 1</b>	<b>652606000</b>	<b>0E6015</b>	<b>Interruttore aut. F16</b>	<b>Automatic fuse F16</b>	<b>10A 1p; From Ser. No.: 228</b>
45	1 1 1	552222103	0E5564	Fusibile	Automatic fuse F1	3A; Up to Ser. No.: 227
<b>45</b>	<b>1 1 1</b>	<b>652606000</b>	<b>0E6015</b>	<b>Interruttore aut. F1</b>	<b>Automatic fuse F1</b>	<b>10A 1p; From Ser. No.: 228</b>
46	1 1 1	552550802	0E5570	Pettine	Phase bar	Up to Ser. No.: 227
<b>46</b>	<b>1 1 1</b>	<b>639625900</b>		<b>Pettine</b>	<b>Phase bar</b>	<b>From Ser. No.: 228</b>
46	1 1 1	552550803	0E5569	Pettine	Phase bar	7). Up to Ser. No.: 227
<b>46</b>	<b>1 1 1</b>	<b>639625900</b>		<b>Pettine</b>	<b>Phase bar</b>	<b>7). - From Ser. No.: 228</b>
47	1 1 1	762721555	0E5571	Morsettiera	Main Block	
48	1 1 1	624604400	0L0174	Trasformatore	Transformer	
49	1 1 1	482422400		Pannello di fissaggio	Mounting plate	
50	1 1 1	482686000	0E5572	Filtro	Filter	
51	9 9 9	475795400	0E5573	Distanziale	Spacer	
52	1 1 1	482266300	0E5164	Scheda	PCB	
53	1 1 1	482412502	0E5178	Fermo	Block	
54	1 1 1	552210000	0E3051	Dado	Nut	8x1
55	1 1 1	482447500		Supporto termostato	Thermostat support	
56	1 1 1	475770402	0E5032	Termostato	Thermostate	
57	1 1 1	482411900		Pannello di fissaggio	Mounting plate	
58	1 1 1	481950102	0E5086	Termostato di sicurezza	Overheating protection	
59	1 1 1	481601300	0E5176	Fermo	Block	
60	1 1 1	464289603	0E5174	Morsettiera	Main block	
63	1 1 1	877525102	072393	Tubo l= 2,5 mt	Hose	L=2500
64	1 1 1	476013807	0E0014	Pressostato	Level control switch	
64	1 1 1	475990000	0E5175	Fascetta	Clamp	
64	1 1 1	482780507	0E5565	Pressostato	Level control switch	8). - Up to Ser. no. 112
64	1 1 1	646618800	0E3731	Pressostato	Level control switch	8). - From ser. no. 113
64	1 1 1	475990000	0E5175	Fascetta	Clamp	8).
64	1 1 1	490120600		Pannello di fissaggio	Mounting plate	8).
66	3 3 3	552212300	0E5173	Morsetto	Clamp	

**Per gli interruttori automatici vedi bollettino tecnico nr. CG-2003\_21 (pag. 84)**  
**For automatic fuses see technical bulletin nr. CG-2003\_21 (pag. 84)**

- 1). Senza ESD / Without ESD
- 2). Con ESD / With ESD
- 3). Senza CU / Without CU
- 4). Con CU / With CU
- 5). Livello 1 / Level 1
- 6). Livello 2-3 / Level 2-3
- 7). Con ADT o HAB / With ADT or HAB
- 8). Da Ser. Nr.: 550 .. / From serial no.: 550..

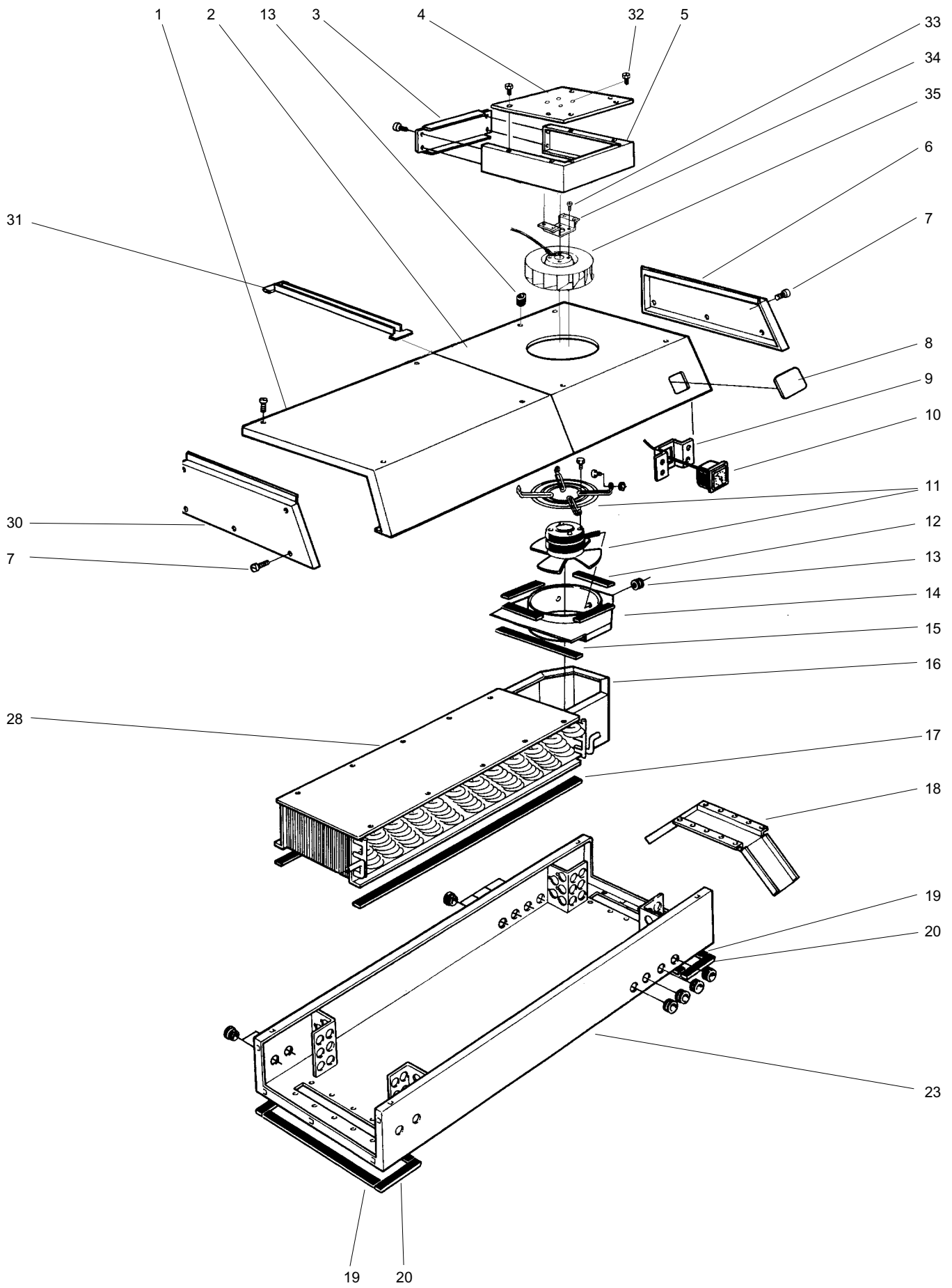
**Grassetto = variazioni**  
**Bold Print = changes**



Pos.	Q.tà Q.ty	Art. No	Cod. Ric. Part No	Descrizione	Description	Note Notes
	[			<b>Risc. doppio Con ESD</b>	<b>Double rinse With ESD</b>	
	[			<b>Risc. DUO Con ESD</b>	<b>DUO rinse With ESD</b>	
1	3 3	W00006100	078026	Morsettiera	Block	
4	2 2	W00010100	0E3032	Barra DIN	DIN bar	L=142
4	3 3	W00010400		Barra DIN	DIN bar	L=370
7	1 -	652604700	0E5898	Interruttore aut. F8	Automatic fuse F8	32A 3p, Up to Ser. No.: 227
7	1 -	652606600	0E6019	Interruttore aut. F8	Automatic fuse F8	32A 3p, From Ser. No.: 228
7	- 1	652604600	0E5897	Interruttore aut. F8	Automatic fuse F8	25A 3p, Up to Ser. No.: 227
7	- 1	652606500	0E6018	Interruttore aut. F8	Automatic fuse F8	25A 3p, From Ser. No.: 228
8	1 1	652604600	0E5897	Interruttore aut. F6	Automatic fuse F6	25A 3p, Up to Ser. No.: 227
8	1 1	652606500	0E6018	Interruttore aut. F6	Automatic fuse F6	25A 3p, From Ser. No.: 228
9	1 1	652605000	0E5901	Interruttore aut. F3	Automatic fuse F3	3A 1p, Up to Ser. No.: 227
9	1 1	652605800	0E6013	Interruttore aut. F3	Automatic fuse F3	3A 1p, From Ser. No.: 228
10	1 1	652605200	0E5903	Interruttore aut. F16	Automatic fuse F16	10A 1p, Up to Ser. No.: 227
10	11	652606000	0E6015	Interruttore aut. F16	Automatic fuse F16	10A 1p, From Ser. No.: 228
11	1 1	652605200	0E5903	Interruttore aut. F1	Automatic fuse F1	10A 1p, Up to Ser. No.: 227
11	11	652606000	0E6015	Interruttore aut. F1	Automatic fuse F1	10A 1p, From Ser. No.: 228
12	1 1	652604300	0E5894	Interruttore aut. F4	Automatic fuse F4	10A 3p, Up to Ser. No.: 227
12	1 1	652606300	0E6017	Interruttore aut. F4	Automatic fuse F4	10A 3p, From Ser. No.: 228
14	1 1	652604500	0E5896	Interruttore aut. F10	Automatic fuse F10	20A 3p, Up to Ser. No.: 227
14	1 1	652606400	0L0042	Interruttore aut. F10	Automatic fuse F10	20A 3p, From Ser. No.: 228
15	1 1	652605100	0E5902	Interruttore aut. F2	Automatic fuse F2	6A 1p, Up to Ser. No.: 227
15	1 1	652605900	0E6014	Interruttore aut. F2	Automatic fuse F2	6A 1p, From Ser. No.: 228
16	1 1	<b>648608700</b>	<b>046994</b>	<b>Contattore K1</b>	<b>Contactor K1</b>	<b>Up to ser. nr. 322</b>
16	1 1	<b>648612900</b>	<b>0L0360</b>	<b>Contattore K1</b>	<b>Contactor K1</b>	<b>From ser. nr. 323</b>
18	1 1	<b>648608700</b>	<b>046994</b>	<b>Contattore K4</b>	<b>Contactor K4</b>	<b>Up to ser. nr. 322</b>
18	1 1	<b>648612900</b>	<b>0L0360</b>	<b>Contattore K4</b>	<b>Contactor K4</b>	<b>From ser. nr. 323</b>
19	1 1	<b>648608700</b>	<b>046994</b>	<b>Contattore K41</b>	<b>Contactor K41</b>	<b>Up to ser. nr. 322</b>
19	1 1	<b>648612900</b>	<b>0L0360</b>	<b>Contattore K41</b>	<b>Contactor K41</b>	<b>From ser. nr. 323</b>
20	1 1	<b>648608700</b>	<b>046994</b>	<b>Contattore K8</b>	<b>Contactor K8</b>	<b>Up to ser. nr. 322</b>
20	1 1	<b>648612900</b>	<b>0L0360</b>	<b>Contattore K8</b>	<b>Contactor K8</b>	<b>From ser. nr. 323</b>
21	1 1	<b>W00534800</b>	<b>0E0177</b>	<b>Contattore K10</b>	<b>Contactor K10</b>	<b>Up to ser. nr. 322</b>
21	1 1	<b>648613100</b>	<b>0L0361</b>	<b>Contattore K10</b>	<b>Contactor K10</b>	<b>From ser. nr. 323</b>
24	1 1	W00502200	0E5172	Rele' KTP	Relay KTP	OPTIONAL
25	1 1	W00502200	0E5172	Rele' K19	Relay K19	
26	1 1	W00535400	0E5628	Protezione N1	Motor protection N1	1,8-2,7A; Machine L=3100
26	1 1	W00535600	0E5220	Protezione N1	Motor protection N1	4-6A; Machine L=3525
29	1 1	W00535100	0E5857	Protezione N4	Motor protection N4	0,6-0,9A
30	1 1	W00535100	0E5857	Protezione N41	Motor protection N41	0,6-0,9A
31	1 1	W00502200	0E5172	Rele' R1	Relay R1	
32	1 1	W00502200	0E5172	Rele' R2	Relay R2	
33	1 1	W00501800	0E5170	Rele' K13	Relay K13	
34	1 1	W00501800	0E5170	Rele' K15	Relay K15	
35	1 1	W00501800	0E5170	Rele' K14	Relay K14	
36	1 1	W00501800	0E5170	Rele' K20	Relay K20	
37	1 1	W00506200	0E5669	Timer S40	Time relay S40	
43	1 1	<b>W00534800</b>	<b>0E0177</b>	<b>Contattore K101</b>	<b>Contactor K101</b>	<b>Up to ser. nr. 322</b>
43	1 1	<b>648613100</b>	<b>0L0361</b>	<b>Contattore K10</b>	<b>Contactor K101</b>	<b>From ser. nr. 323</b>
44	1 1	<b>648608700</b>	<b>046994</b>	<b>Contattore K81</b>	<b>Contactor K81</b>	<b>Up to ser. nr. 322</b>
44	1 1	<b>648612900</b>	<b>0L0360</b>	<b>Contattore K41</b>	<b>Contactor K81</b>	<b>From ser. nr. 323</b>
45	1 1	624604400	0L0174	Trasformatore toroidale	Transformer	
51	1 1	877525102	072393	Tubo	Hose	L=3500
54	1 1	W00126500	0E5178	Morsettiera	Block	
55	1 1	W00393800	0E5565	Pressostato	Level control switch	Up to ser.no.112
55	1 1	646618800	0E3731	Pressostato	Level control switch	From ser.no. 113
57	1 1	W00500200	0E3051	Dado	Nut	8x1
58	1 1	W00141100	0E5726	Supporto termostati	Thermostate support	
59	1 1	W00050400	0E5086	Termostato di sicurezza	Overheating protection	
60	4 4	W00502100	0E5173	Zoccolo	Base	
61	4 4	W00501700	0E5171	Zoccolo	Base	

Grassetto = variazioni  
Bold Print = changes

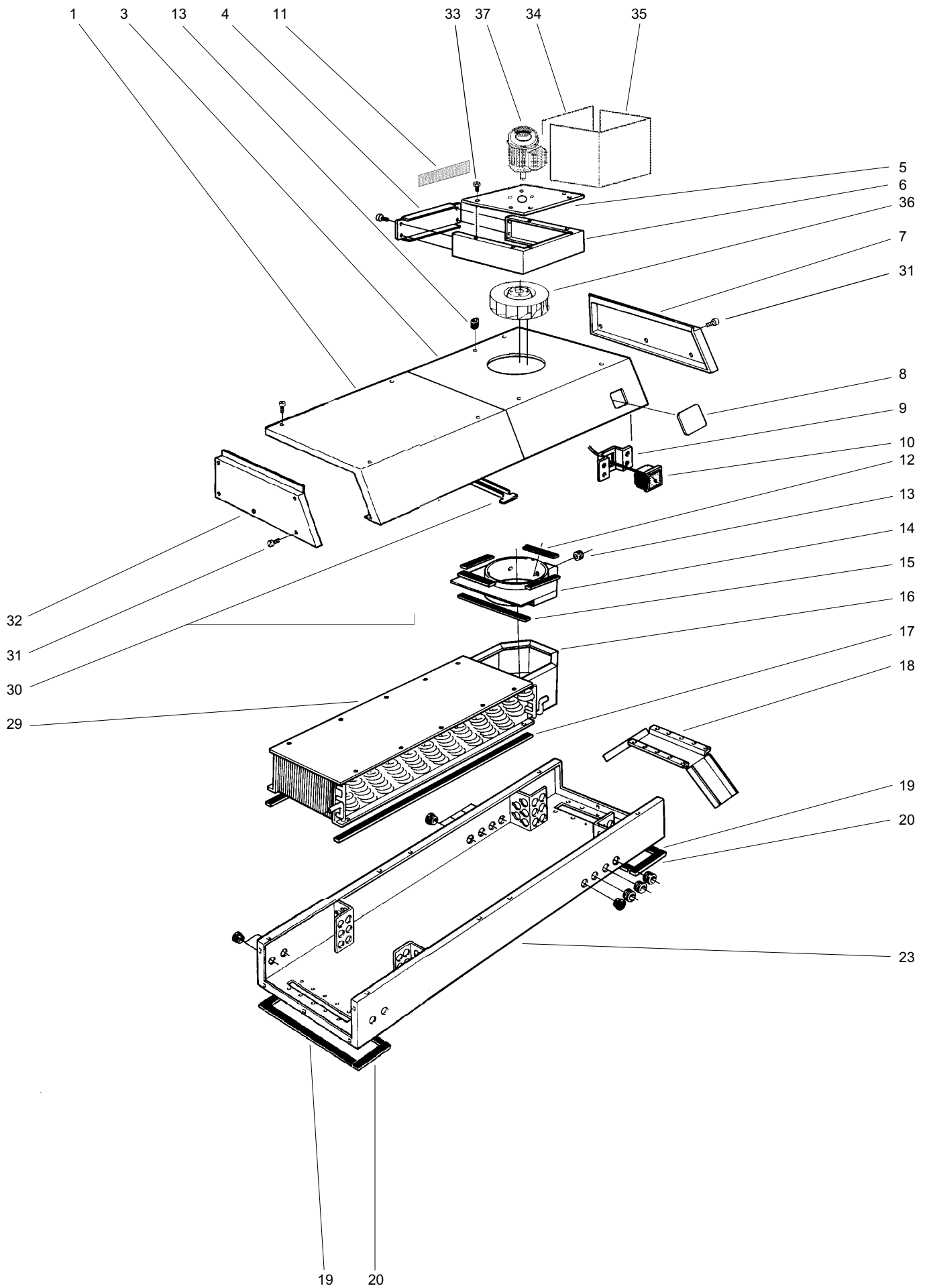
Per gli interruttori automatici vedi bollettino tecnico nr. CG-2003\_21 (pag. 84)  
For automatic fuses see technical bulletin nr. CG-2003\_21 (pag. 84)



Pos.	Q.tà Q.ty	Art. No	Cod. Ric. Part No	Descrizione	Description	Note Notes
1	1	482606900	0E5575	Coperchio	Top	
1	1	482730200			Top	11).
2	1	482606701	0E5576	Coperchio	Top	
2	1	482730001			Top	11).
3	1	482554500	0E5577	Pannellino post.	Rear	
4	1	482554600	0E5578		Top	
4	1	490337900	0E5775		Top	12).
5	1	482554400	0E5579	Coperchio	Cover/shell	
6	1	482607400	0E5580		Side plate	
6	1	482730400			Side plate	11).
7	18	478566400			Screw	
8	1	482479700	0H2518	Pannello decorativo	Sign	1). 2). 8). 10).
8	1	482410000	0E5742		Sign	2). 3). 9).
8	1	482409300	0E5740		Sign	2). 4). 9).
8	1	482410900	0E5744		Sign	2). 5). 9).
8	1	482408100	0E5738		Sign	2). 6). 9).
8	1	482485800			Sign	2). 7). 9).
8	1	482459800	0E5756		Sign	1). 3). 9).
8	1	482459800	0E5756		Sign	1). 4). 9).
8	1	482459800	0E5756		Sign	1). 5). 9).
8	1	482459800	0E5756		Sign	1). 7). 9).
9	1	482411500	0E5746		Holder	2). 3).
9	1	482411500	0E5746		Holder	2). 4).
9	1	482411500	0E5746		Holder	2). 6).
9	1	482411500	0E5746		Holder	2). 7).
9	1	482411200	0E5745		Holder	2). 5).
10	1	481840005	0E5545	Termometro	Thermometer 3 m	2). 3).
10	1	482413202	0E5546	Termometro	Thermometer 3 m	2). 4).
10	1	482446600	0E5234	Termometro za	Thermometer 3 m	2). 5).
10	1	482413302	0E5478	Termometro	Thermometer 3 m	2). 6).
10	1	482413302	0E5478	Termometro	Thermometer 3 m	2). 7).
11	1	477980000	0E0022	Ventola	Fan	
12	4	873303240	0E5225	Guarnizione mt.1	Sealing strip	L=150
13	2	762116800	0E2331	Tubetto protezione	Inlet	Di=8; 12).
14	1	482572400	0E5762		Top	
15	1	873303240	0E5225	Guarnizione mt.1	Sealing strip	L=210
16	1	482572100	0E5761		Guiding plate	
17	2	873303240	0E5225	Guarnizione mt.1	Sealing strip	L=600
18	1	482607800	0E5770		Drip guard	
19	4	873303240	0E5225	Guarnizione mt.1	Sealing strip	L=560
20	4	873303240	0E5225	Guarnizione mt.1	Sealing strip	L=175
23	1	482606400	0E5766		Condensing box	
28	1	482544400	0E5581		Lamellar element	
30	1	482607500	0E5582	Pannello laterale	Side plate	
30	1	482730300			Side plate	11).
31	3	482607600	0E5769		Holder	
32	4	478566403	0H2300		Screw	12).LKCS 5x10
33	4	724128540			Screw	12).MRX 4x6
34	1	490338000	0E5670	Supporto	Holder	12).
35	1	490150900	0E5666	Ventola	Fan	12).

- 1). Livello 3 / Level 3
- 2). Livello 2 / Level 2
- 3). WT95 - WT100
- 4). Z180 - Z250
- 5). RT100 - RT140
- 6). RT1800 - RT2500
- 7). D1700 - D1800
- 8). Unità condensa fumane CU / Condensing Unit CU
- 9). Recuperatore di energia ESD / Energy Saving Device ESD
- 10). Livello 1 / Level 1
- 11). H511 - H512
- 12). Da Ser. Nr.: 617 1468 / From serial no.: 617 1468

**Grassetto = variazioni**  
**Bold Print = changes**



Pos.	Q.tà Q.ty	Art. No	Cod. Ric. Part No	Descrizione	Description	Note Notes
1	1	482606900	0E5575	Coperchio	Top	
1	1	482730200		Coperchio	Top	H 511-H 512
3	1	482606701	0E5576	Coperchio	Top	
3	1	482730001		Coperchio	Top	H 511-H 512
4	1	W00214700	0E5577	Pannellino post.	Rear	
5	1	W00467701	0E5775	Coperchio	Top	Up to ser. nr. 144
5	1	501698201	049887	Coperchio	Top	From Ser no.: 145
6	1	W00214600	0E5579	Coperchio	Cover/shell	
7	1	482607400	0E5580	Fianco	Side plate	
7	1	482730400		Fianco	Side plate	H 511-H 512
8	1	482479700	0H2518	Pannello decorativo	Sign	Level 3/ Level 2/Level 1/ with CU
8	1	482410000	0E5742	Pannello decorativo	Sign	Level 2/ WT95-WT100/ with ESD
8	1	482410900	0E5744	Pannello decorativo	Sign	Level 2/ RT 100-RT140/ with ESD
8	1	482408100	0E5738	Pannello decorativo	Sign	Level 2/ RT 1800-RT2500/ with ESD
8	1	482485800		Pannello decorativo	Sign	Level 2/ D 1700-D1800/ with ESD
8	1	482459800	0E5756	Pannello decorativo	Sign	Level 3/ WT 200/ with ESD
8	1	482459800	0E5756	Pannello decorativo	Sign	Level 3/ RT 270 with ESD
8	1	482459800	0E5756	Pannello decorativo	Sign	Level 3/ D 3600/ with ESD
9	1	482411500	0E5746	Supporto	Holder	Level 2/ WT 200
9	1	482411500	0E5746	Supporto	Holder	Level 2/ RT 4800
9	1	482411500	0E5746	Supporto	Holder	Level 2/ D 3600
9	1	482411200	0E5745	Supporto	Holder	Level 2/RT 270
10	1	481840005	0E5545	Termometro	Thermometer 3 m	Level 2/ WT 95/100
10	1	482446600	0E5234	Termometro	Thermometer 3 m	Level 2/ RT100/140
10	1	482413302	0E5478	Termometro	Thermometer 3 m	Level 2/ RT 4800
10	1	482413302	0E5478	Termometro	Thermometer 3 m	Level 2/ D 3600
<b>11</b>	<b>1</b>	<b>501693300</b>	<b>0E5969</b>	<b>Paragocce</b>	<b>Splashguard</b>	<b>Up to ser. nr. 227</b>
12	4	873303240	0E5225	Guarnizione mt.1	Sealing strip	L=150
13	1	762116800	0E2331	Tubetto protezione	Inlet	Di=8;
14	1	482572400	0E5762	Coperchio	Top	
15	1	873303240	0E5225	Guarnizione mt.1	Sealing strip	L=210
16	1	W00225600	0E5761	Lamiera di guida	Guiding plate	
17	2	873303240	0E5225	Guarnizione mt.1	Sealing strip	L=600
18	1	482607800	0E5770	Gocciolatoio	Drip guard	
19	4	873303240	0E5225	Guarnizione mt.1	Sealing strip	L=560
20	4	873303240	0E5225	Guarnizione mt.1	Sealing strip	L=175
23	1	W00241400		Scatola CU	Condensing box	
29	1	482544400	0E5581	Batteria lamellare	heat exchanger	
30	3	482607600	0E5769	Supporto	Holder	
31	18	478566400		Vite	Screw	
32	1	482607500	0E5582	Pannello laterale	Side plate	
32	1	482730300		Pannello laterale	Side plate	H 511-H 512
33	4	478566403	0H2300	Vite	Screw	
34	1	507619100	0E5968	Coperchio post.	Cover	
35	1	507619000	0E5970	Coperchio	Cover	
36	1	549641800	0E5952	Ventola	Fan	
37	1	611619601	0E5951	Mot. ventola	Fan motor	

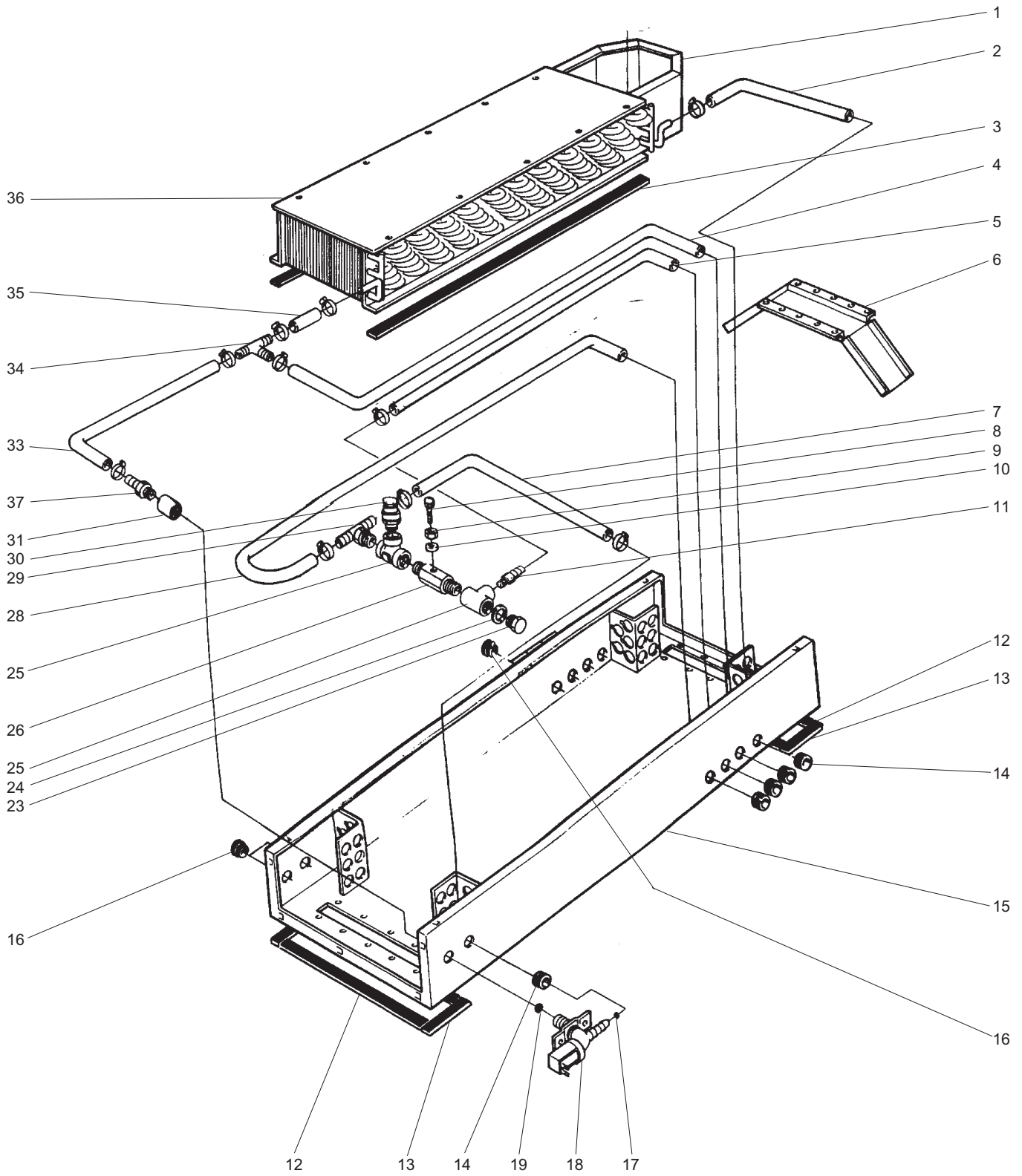
Grassetto = variazioni  
Bold Print = changes



Pos.	Q.tà Q.ty	Art. No	Cod. Ric. Part No	Descrizione	Description	Note Notes
2	4	478033300	0E5226	Raccordo	Coupl.housing	
3	1	552001100	0E5121	Tubo mt.1	Hose	L=2400
4	36	740431514	0E5118	Anello	O-ring	17,3x24
5	18	478042903	0E5227	Tappo	Plug	
6	2	741311321	0E5583	Nipplo	Nipple	
7	1	741381424	0E5431	Nipplo	Nipple	
8	1	478086600	0E5119	Valvola non ritorno	Non return valve	
9	2	552217600	0E5584	Nipplo	Hose nipple	20x1/2 - Up to Ser. n. 227
9	2	514692300	0E6010	Portagomma	Hose nipple	20x1/2 - From Ser. n. 228
10	1	552001100	0E5121	Tubo mt.1	Hose	L=1800
11	1	481840005	0E5545	Termometro	Thermometer	2). 3).
11	1	482413202	0E5546	Termometro	Thermometer	2). 4).
11	1	482446600	0E5234	Termometro za	Thermometer	2). 5).
11	1	482413302	0E5478	Termometro	Thermometer	2). 6).
11	1	482413302	0E5478	Termometro	Thermometer	2). 7).
11	1	x			Thermometer	2). 9).
11	1	482422302	0E5482	Sensore di temeperatura	Sensor/transducer	1).
12	1	478044600	0E5033	Nipplo	Thermostat pipe nipple	
13	1	482630100	0E5547	Tubo	Dive pipe	2). 8). 3).
13	1	482630100	0E5547	Tubo	Dive pipe	2). 8). 4).
13	1	482630100	0E5547	Tubo	Dive pipe	8). 5).
13	1	482630100	0E5547	Tubo	Dive pipe	2). 6).
13	1	482630100	0E5547	Tubo	Dive pipe	2). 8). 7). 9).
13	1	482630200	0E5548	Raccordo per bulbo	Bulb nipple	1).
13	1	482630200	0E5548	Raccordo per bulbo	Bulb nipple	2). 5).
14	1	741410820	0E5228	Bussola	Bushing	
15	3	742511320	0E5421	Tubo a t	T-tube	
16	4	552214021	0E2895	Raccordo	Hose nipple	
17	1	552001100	0E5121	Tubo mt.1	Hose	L=350
20	7	478033200	0E5231	Raccordo	Coupling housing	
21	18	478030300	0E5062	Stringicavo	Inlet	Di=22x38
23	8	740819100	0E5586	Tappo	Plug	D=28
24	X	552001100	0E5121	Tubo mt.1	Hose	
25	1	482415200	0E5270	Tubo di scarico	Drain	
28	1	549643400	0L0167	Parzializzatore arancio	Reducer (with DUO) orange	2,5 l/min
28	1	549643300	0L0166	Parzializzatore naturale	Reducer, natural	1.2 l/min
29	1	696615200	0L0175	Elettrovalvola	Solenoid valve	
30	1	549642800	0L0178	Parzializzatore arancione	Reducer, orange	20 l/min
32	9	477977700	0E5589	Tubo esterno	Pipe outhur	
33	9	477978100	0E5590	Tubo interno	Pipe inner	
34	1	478088900	0E5591	Regolatore	Adjusting valve	
36	1	460985204	0E5077	Valvola di scarico	Vacuum valve	1/2"
37	1	552001100	0E5121	Tubo mt.1	Hose	L=400
<b>38</b>	<b>1</b>	<b>W00504700</b>	<b>0E5508</b>	<b>Nipplo</b>	<b>Nipple</b>	<b>15x1/2" - Up to ser.: 447</b>
<b>38</b>	<b>1</b>	<b>511619800</b>	<b>0L0652</b>	<b>Nipplo</b>	<b>Nipple</b>	<b>15x1/2" - From ser.: 448</b>
40	1	552001100	0E5121	Tubo mt.1	Hose	L=3800
41	1	552001100	0E5121	Tubo mt.1	Hose	L=600
42	2	552217500	0E5529	Nipplo	Hosenipple	15x1/2 - Up to Ser. n. 227
42	2	514692200	0L0040	Nipplo	Hosenipple	15x1/2 - From Ser. n. 228
43	1	741211520	0E5525	Manicotto	Sleeve	
44	1	552001100	0E5121	Tubo mt.1	Hose	L=550
45	1	552001100	0E5121	Tubo mt.1	Hose	L=2350
46	1	740430314	0E5034	Anello	O-ring	5,3x2,4
<b>47</b>	<b>1</b>	<b>552217300</b>	<b>0E5489</b>	<b>Raccordo angolare</b>	<b>Hosenipple, angle</b>	<b>15x1/2" - Up to ser.: 447</b>
<b>47</b>	<b>1</b>	<b>511619900</b>	<b>0L0653</b>	<b>Raccordo angolare</b>	<b>Hosenipple, angle</b>	<b>15x1/2" - From ser.: 448</b>

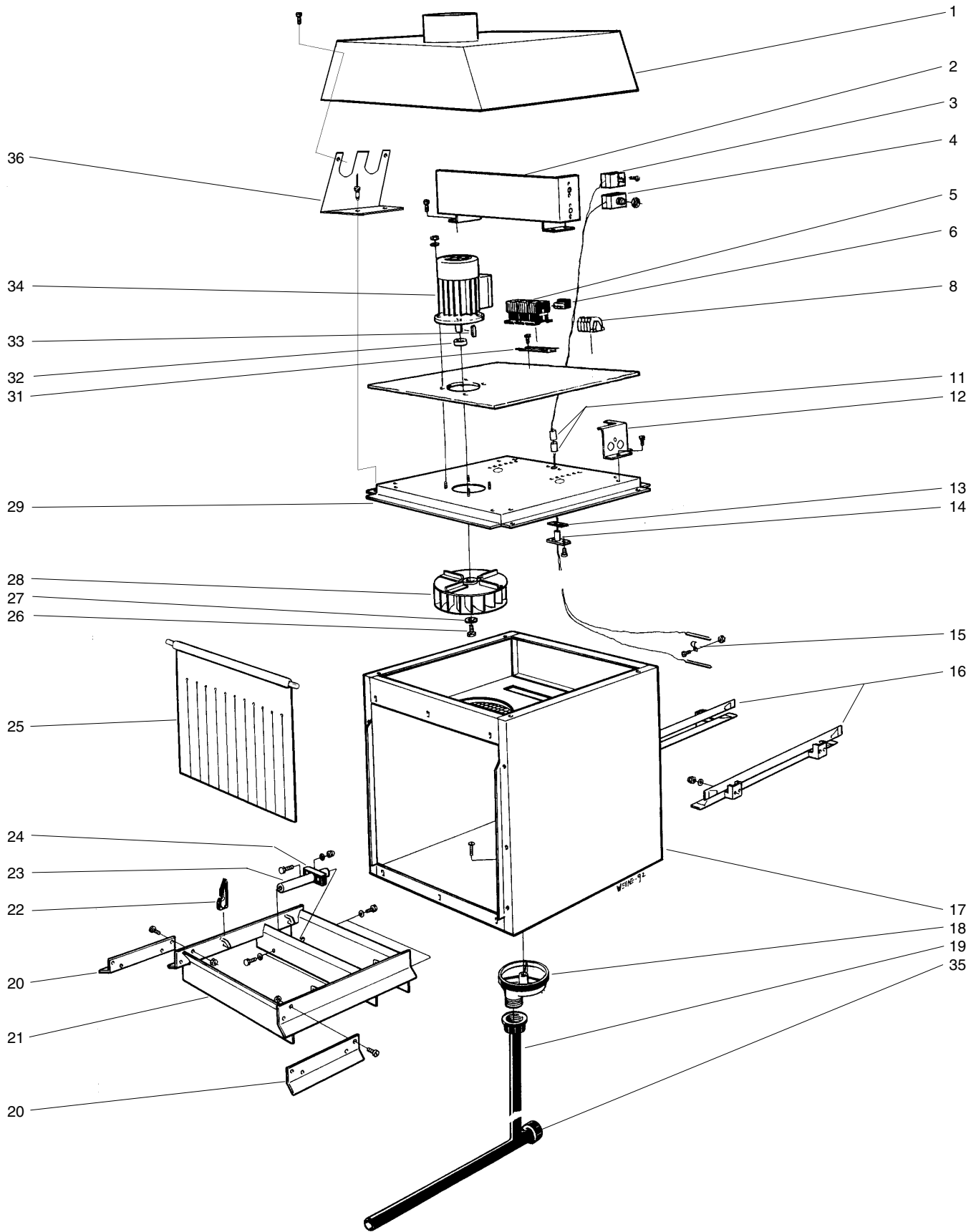
- 1). Livello 3 / Level 3
- 2). Livello 2 / Level 2
- 3). WT95 - WT100
- 4). Z180 - Z250
- 5). RT100 - RT140
- 6). RT1800 - RT2500
- 7). D1700 - D1800
- 8). Livello 1 / Level 1
- 9). H511 - H512

Grassetto = variazioni  
Bold Print = changes



Pos.	Q.tà Q.ty	Art. No	Cod. Ric. Part No	Descrizione	Description	Note Notes
1	1	482607800	0E5770	Gocciolatoio	Guiding plate	
2	1	552001100	0E5121	Tubo mt.1	Hose	L=2600 - Up to Ser. n. 227
2	1	140066039	048531	Tubo mt.1	Hose	L=2600 - From Ser. n. 228
3	2	873303240	0E5225	Guarnizione mt.1	Sealing strip	L=600
4	1	552001100	0E5121	Tubo mt.1	Hose	L=2400 - Up to Ser. n. 227
4	1	140066039	048531	Tubo mt.1	Hose	L=2400 - From Ser. n. 228
5	1	552001100	0E5121	Tubo mt.1	Hose	L=2300 - Up to Ser. n. 227
5	1	140066039	048531	Tubo mt.1	Hose	L=2300 - From Ser. n. 228
6	1	482607800	0E5770	Gocciolatoio	Drip guard	
7		552001100	0E5121	Tubo mt.1	Hose	L=450 - Up to Ser. n. 227
7		140066039	048531	Tubo mt.1	Hose	L=450 - From Ser. n. 228
8	1	725249540		Vite	Screw	M6S10x30
9	1	552212105	0E5592	Dado	Flange nut	M10
10	1	552211000	0E5524	Guarnizione	Gasket	
11	2	552217500	0E5529	Nipplo	Nipple	15x1/2" - Up to Ser. n. 227
11	2	514692200	0L0040	Nipplo	Nipple	15x1/2" - From Ser. n. 228
12	4	873303240	0E5225	Guarnizione mt.1	Sealing strip	L=560
13	4	873303240	0E5225	Guarnizione mt.1	Sealing strip	L=175
14	5	552201800	0E5585	Stringicavo	Inlet	Di=22x38
15	1	482606400	0E5766	Scatola CU	Condensing box	
16	9	740819100	0E5586	Tappo	Plug	D=28
17	1	549643400	0L0167	Parzializzatore arancio	Reducer (with DUO) orange	2,5 l /min
17	1	549643300	0L0166	Parzializzatore naturale	Reducer, natural	1.2 l/min
18	1	696615200	0L0175	Elettrovalvola	Solenoid valve	
19	1	549642800	0L0178	Parzializzatore arancione	Reducer, orange	20 l /min
23	1	741521324	0E5462	Tappo	Plug	
24	1	552211003	0E5122	Guarnizione	Gasket	
25	2	742511320	0E5421	Tubo a t	T-pipe	
26	1	478088900	0E5591	Regolatore	Adjusting valve	
28	1	552001100	0E5121	Tubo mt.1	Hose	L=3400 2). Up to Ser. n. 227
28	1	140066039	048531	Tubo mt.1	Hose	L=3400 2). From Ser. n. 228
<b>29</b>	<b>1</b>	<b>W00504700</b>	<b>0E5508</b>	<b>Nipplo</b>	<b>T-nipple</b>	<b>L=3800</b>
<b>29</b>	<b>1</b>	<b>511619800</b>	<b>0L0652</b>	<b>Nipplo</b>	<b>T-nipple</b>	<b>1). - Up to ser.: 447</b> <b>L=3800</b> <b>1). - From Ser.: 448</b>
30	1	460985204	0E5077	Valvola di scarico	Vacuum valve	
31	1	741211520	0E5525	Manicotto	Sleeve	3/4"
33	1	552001100	0E5121	Tubo mt.1	Hose	L= 400 Up to Ser. n. 227
33	1	140066039	048531	Tubo mt.1	Hose	L=400 - From Ser. n. 228
34	1	552217400	0E5423	Nipplo	T-nipple	
35	1	552001100	0E5121	Tubo mt.1	Hose	L=350 - Up to Ser. n. 227
35	1	140066039	048531	Tubo mt.1	Hose	L=350 - From Ser. n. 228
36	1	482544400	0E5581	Scambiatore di calore	Lamellar element	
37	1	552217600	0E5584	Nipplo	Nipple	20x1/2" - Up to Ser. n. 227
37	1	514692300	0E6010	Nipplo	Nipple	20x1/2" - From Ser. n. 228

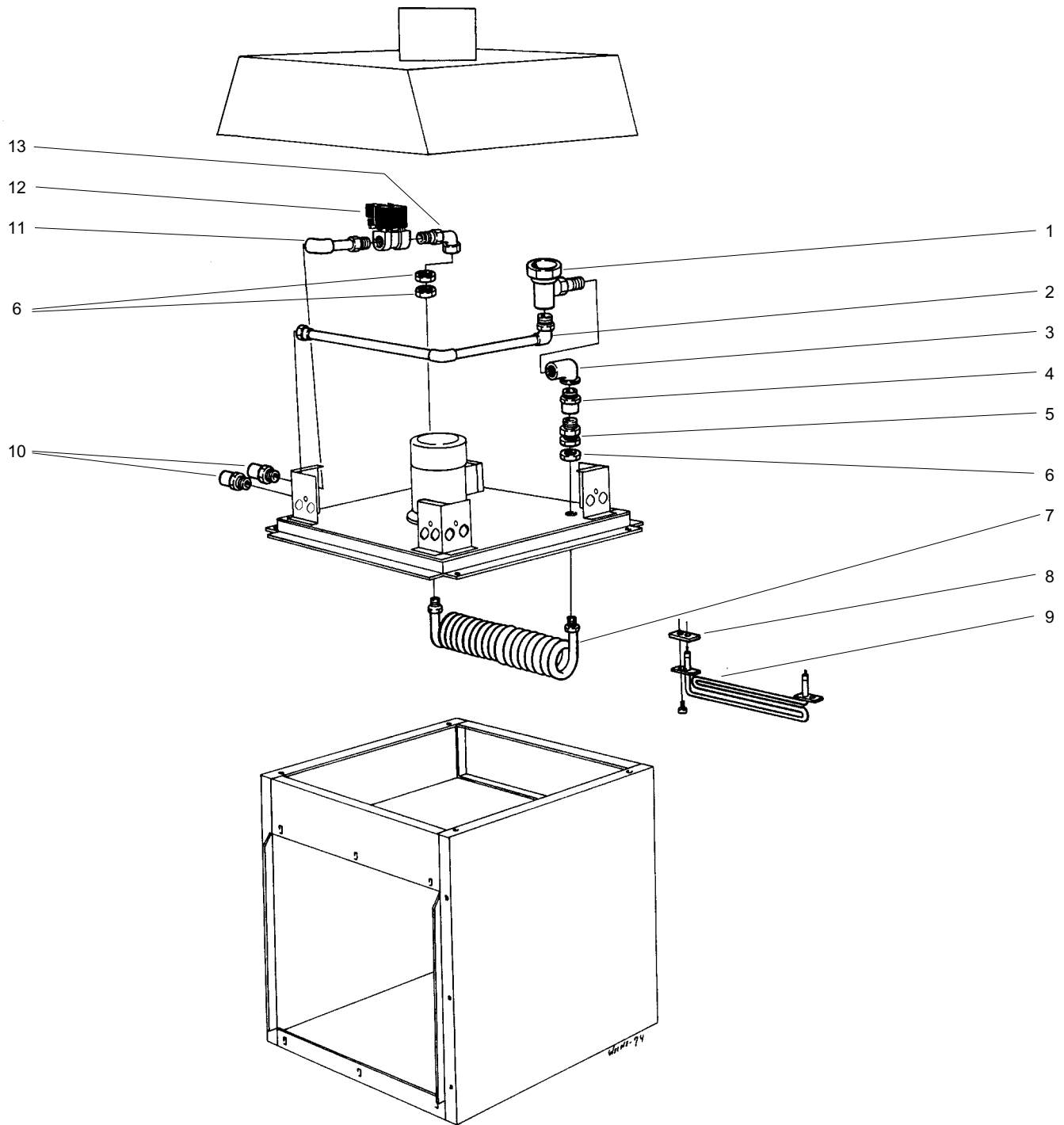
Grassetto = variazioni  
Bold Print = changes1). Livello 3 / Level 3  
2). Livello 2 / Level 2



Pos.	Q.tà Q.ty	Art. No	Cod. Ric. Part No	Descrizione	Description	Note Notes
	I			<b>Riscaldamento elettrico</b>	<b>Electric heated</b>	
	I			<b>Riscaldamento vapore</b>	<b>Steam heated</b>	
1	1 -	482256700	0E5593		Outer top	
1	- 1	482742300	0E5594	Coperchio	Outer top	1).
1	- 1	482742200	0E5595		Outer top	2).
1	1 -	482730800			Outer top	4).
1	- 1	x			Outer top	1). 4).
1	- 1	x			Outer top	2). 4).
2	1 -	482423900	0E5753		Mounting plate	
2	- 1	491335000	0E5776		Mounting plate	
3	1 1	475770402	0E5032	Termostato	Thermostat	
4	1 1	481950105	0E5080	Controllo di temperatura	Overh. protection	
<b>5</b>	<b>3 3</b>	<b>648608700</b>	<b>046994</b>	<b>Contattore</b>	<b>Contactor</b>	<b>Up to ser. nr. 322</b>
<b>5</b>	<b>3 3</b>	<b>648612900</b>	<b>0L0360</b>	<b>Contattore</b>	<b>Contactor</b>	<b>From ser. nr. 323</b>
6	1 1	767620500	0E5124	Protezione	Motor protection	380 - 440V
6		767620700	0E5450	Protettore termico	Motor protection	200 - 255V
8	1 1	481601300	0E5176	Fermo	Terminal block	
11	2 2	482204200	0E5248	Tappo	Sealing plug	
12	4 4	482424400	0E5754		Top holder	
13	1 1	476040100	0E5249	Guarnizione	Gasket	
14	1 1	461090471	0E5596	Tubo	Outlet pipe	
15	2 2	462479801	0E5150	Morsetto	Clamp	
16	2 2	482250306	0E5734		Rail	
17	1 1	482254100	0E5250		Stand	
18	1 1	476804800	0E5251	Scarico	Drain	
19	1 1	482428200	0E5252	Scarico	Drain	
20	2 2	482417500	0E5597	Piastrina	Closing plate	
21	1 1	482267500	0E5779		Feeding ladder	
22	4 4	482252100	0E5007	Supporto	Carrier	
23	2 2	482349500	0E5005	Albero	Shaft	
24	2 2	482257600	0E5006	Guida	Slide shoe	
25	1 1	482346100	0E5277	Tendina	Curtain	
25	1 1	482760000	0E2728	Tendina	Curtain	3).
26	1 1	478566403	0H2300		Screw	LKCS 5x50
27	1 1	464321201			Washer	
28	1 1	467969525	0E5081	Ventola	Fan	
29	1 -	482423700	0E5752		El. cassette	
29	- 1	482742700	0E5773		El. cassette	
31	1 1	475934603	0E3032		Rail	
32	1 1	477594000	0E5123	Distanziale	Motor spacer	Up to ser. nr.: 822
32	1 1	W00016101	0E5801	Distanziale	Motor spacer	From ser. nr.: 823
33	1 1	735923240	0E5048	Cuneo	Wedge	
34	1 1	482700000	0E5599	Motore	Motor	220-240/380-415V, 50Hz
34	1 1	482700001	0E5600		Motor	Up to ser. nr.: 822
34	1 1	W00337001	0E5580	Motore	Motor	220-255/380-440V, 60Hz
34	1 1	482700001	0E5600		Motor	Up to ser. nr.: 822
34	1 1	W00337001	0E5580	Motore	Motor	220-240/380-415V, 50Hz
35	1 1	482415600	0E5747		Drain	From ser. nr.: 823
36	- 1	482742400	0E5772		Cover plate	

Grassetto = variazioni  
Bold Print = changes

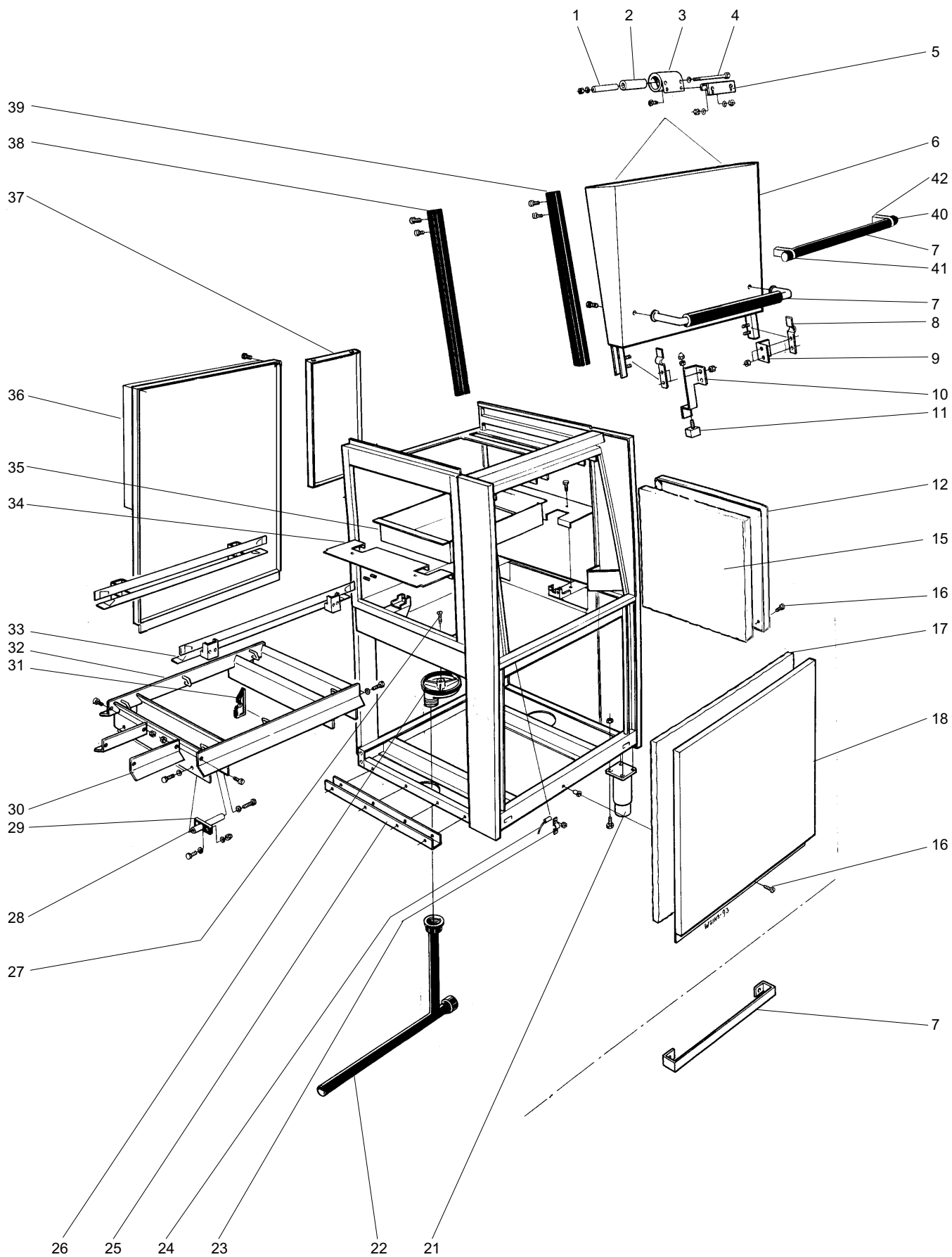
- 1). Macchine con alimentazione SX / Left feeded machines
- 2). Macchine con alimentazione DX / Right feeded machines
- 3). Da Ser. Nr.: 538 11 902 / From serial no.: 538 11 902
- 4). H 511 - H 512 - H 522



Pos.	Q.tà Q.ty	Art. No	Cod. Ric. Part No	Descrizione	Description	Note Notes
1	1	63797401	0E0153	Scaricatore	Steam trap	
2	1	482691200	0E5601	Tubo	Pipe	1).
2	1	482691300	0E5602	Tubo	Pipe	2).
3	1	742111520	0E0686	Tubo	Angular element	3/4"
4	1	475829910	0E5603	Nipple	Nipple	3/4"
5	1	63597003	0H2583		Connection	3/4"
6	3	741111520	0E5056	Nipplo	Pipe nut	3/4"
7	1	482691900	0E5604	Serpentina	Steam coil	
8	12	476040200	0E5127	Guarnizione	Gasket	
9	6	464212500	0E5126	Resistenza	Heating element	220 / 400V
9	6	464212501	0E5253	Resistenza	Heating element	240 / 415V
9	6	464212502	0E5605		Heating element	200V
9	6	464212503			Heating element	255 / 440V
10	2	552215600	0E5606	Nipple	Pipe nipple	3/4"
11	1	482691400	0E5607	Tubo	Pipe	1).
11	1	482691500	0E5608	Tubo	Pipe	2).
12	1	482174003	0E2200	Elettrovalvola	Solenoid valve	50 Hz
12	1	482174006	0E2280	Elettrovalvola	Solenoid valve	60 Hz
13	1	63563803	0E5609	Raccordo	Angle coupling	3/4"

**Grassetto = variazioni**  
**Bold Print = changes**

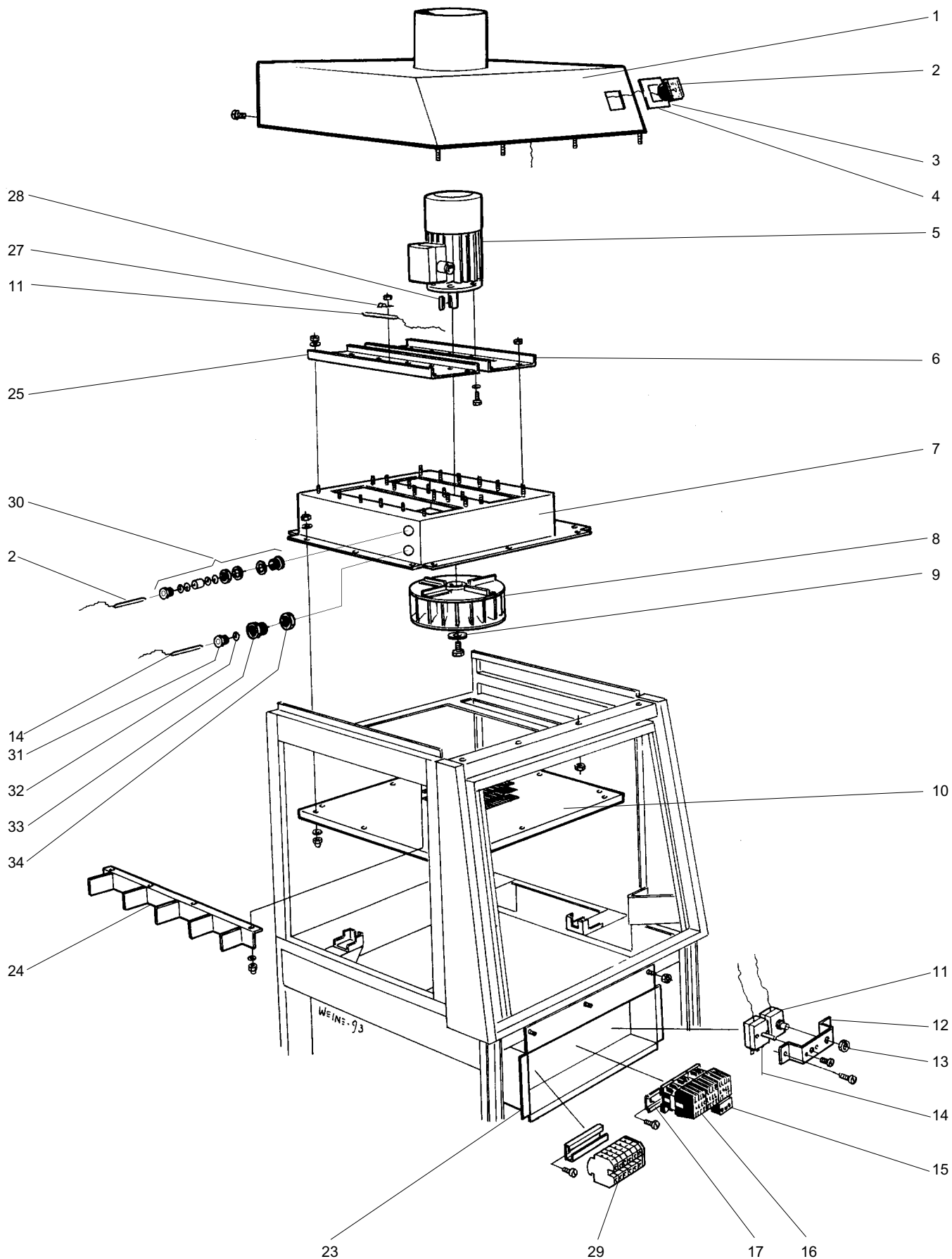
- 1). Macchine con alimentazione SX / Left feeded machines
- 2). Macchine con alimentazione DX / Right feeded machines



Pos.	Q.tà Q.ty	Art. No	Cod. Ric. Part No	Descrizione	Description	Note Notes
1	2	478561001	0E5454	Distanziatore	Spacer	
2	2	482252700	0E5001	Puleggia	Pulley	
3	2	482252804	0E5167	Molla	Door spring	
4	2	725246545			Bolt	8x70 M6S
5	2	482458700	0E2898	Aggancio molla porta	Spring attachment	
6	1	482633600	0E5610		Door	3). 4). 5).
6	1	482729800			Door	7).
7	1	482250815	0E5611	Maniglia	Handrail	3).
7	1	482250825	0E5612	Maniglia	Handrail	4). 5). 6).
7	1	490056101			Handrail	7).
8	2	482458800	0E5157	Molla	Lock spring	
9	1	482348700	0E5683		Attachment	
10	1	482508000	0E5760		Magnet socket	
11	1	461137802	0E0102	Magnete	Magnet	
12	1	482600600	0E5459	Pannello frontale	Front plate	1).
12	1	482600700	0E5460	Pannello frontale	Front plate	2).
15	1	482425902	0E5458	Pannello isolante	Insulation	
16	20	478566403	0H2300		Screw	LKCS 5x10
17	1	482425903	0E5456	Pannello isolante	Insulation	
18	1	482600200	0E5457	Pannello frontale	Front plate	
21	2	482255200	0E5009	Gamba	Leg	
22	1	482415100	0E5083	Tubo di scarico	Drain pipe	
23	1	552213000	0E5330	Squadretta	Clamp	
23	1	482633900	0E5483	Graffetta	Cramp	
23	1	482739800	0E2332	Supporto	Attachment	6).
24	1	552212700	0E5185	Interruttore	Magnetic switch	
24	1	476066400	0E0003	Interruttore	Magnetic switch	6).
25	1	482611800	0E5613	Profilo	Spacer profile	
26	1	476804800	0E5251	Scarico	Strainer bowl	
27	1	478566402			Screw	LKCS 5x30
28	4	482349500	0E5005	Albero	Shaft	
29	4	482257600	0E5006	Guida	Slide shoe	
30	2	482417500	0E5597	Piastrina	Closing plate	
31	6	482252100	0E5007	Supporto	Carrier	
32	1	482374200	0E5778		Feeding ladder	
33	2	482250305	0E5733		Slide, Cpl	
34	2	482417100	0E5748		Guide plate	
35	1	482470900	0E5759		Channel	
36	1	482600400	0E5461	Pannello posteriore	Rear plate	
37	1	482446500	0E5614	Copertura posteriore	Rear plate	
38	1	482254302	0E5130	Guida	Slide strip	
39	1	482254301	0E5129	Guida	Slide strip	
40	x	490056200			Handrail stop, sphere	7).
41	x	490056201			Handrail stop, straight	7).
42	2	490056000			Handrail holder, cpl.	7),

- 1). Macchine con alimentazione SX / Left feeded machines
- 2). Macchine con alimentazione DX / Right feeded machines
- 3). RT140 - 190 - 270
- 4). RT2500 - 3400 - 4800
- 5). D1800 - 2700 - 3600
- 6). Da Ser. Nr.: 517... / From serial no.: 517...
- 7). H512 - H522

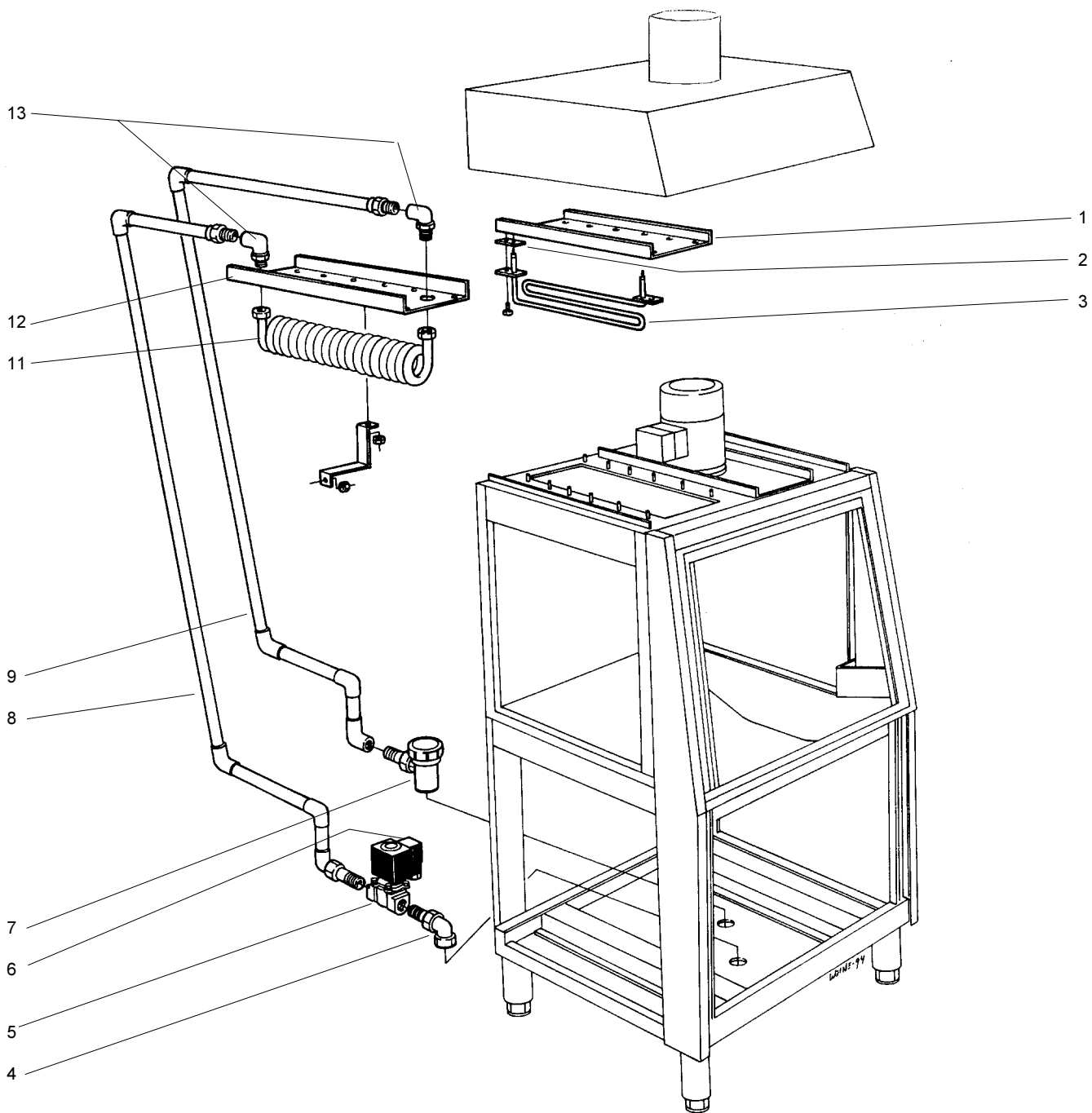
**Grassetto = variazioni**  
**Bold Print = changes**



Pos.	Q.tà Q.ty	Art. No	Cod. Ric. Part No	Descrizione	Description	Note Notes
1	1	482418900	0E5615		Cover plate	
1	1	482730500			Cover plate	9).
2	1	481840005	0E5545	Termometro	Thermometer	1). 3).
2	1	482413202	0E5546	Termometro	Thermometer	1). 4).
2	1	482446600	0E5234	Termometro za	Thermometer	1). 5).
2	1	482413302	0E5478	Termometro	Thermometer	1). 6).
2	1	482422302	0E5482	Sensore di temeperatura	Sensor/transducer	2).
3	1	482411500	0E5746		Holder	1). 3). 4). 6).
3	1	482411200	0E5745		Holder	1). 5).
4	1	482459900	0E5757	Membrana adesiva	Stick membrane	2).
4	1	482410100	0E5743	Membrana adesiva	Stick membrane	1). 3).
4	1	482409400	0E5741	Membrana adesiva	Stick membrane	1). 4).
4	1	482411000	0E5781	Membrana adesiva	Stick membrane	1). 5).
4	1	482485900		Membrana adesiva	Stick membrane	1). 7).
4	1	482408200	0E5739	Membrana adesiva	Stick membrane	1). 8).
4	1	548640200	0L0184	Membrana adesiva	Stick membrane	1). - Franstal
5	1	482700100	0E5616	Motore	Motor	220-240/380-415V, 50Hz Up to ser. nr.: 822
5	1	482700101	0E5617	Motore	Motor	220-255/380-440V, 60Hz Up to ser. nr.: 822
5	1	W00337101	0E5798	Motore	Motor	50Hz/60Hz From ser. nr.: 823
6	1	482417900	0E5751		Motor plate	
7	1	482417700	0E5749		Fan housing	
8	1	467969530	0E5618	Ventola	Fan	
9	1	53928851			Washer	
10	1	482373700	0E5737		Fan grille	
11	1	481950104	0E5256	Termostato di sicurezza	Overheating protect.	
12	1	482447500	0E5726		Holder	
13	1	552210000	0E3051		Nut	M8x1
14	1	475770402	0E5032	Termostato	Thermostat	1)
15	1	767620800	0E5221	Protettore	Motor protection	380-440V, 1,8 - 2,7A
15	1	767620900	0E0175	Rele'	Motor protection	200-255V, 2,7 - 4A
<b>16</b>	<b>3</b>	<b>648608700</b>	<b>046994</b>	<b>Contattore</b>	<b>Contactore</b>	<b>Up to ser. nr. 322</b>
<b>16</b>	<b>3</b>	<b>648612900</b>	<b>0L0360</b>	<b>Contattore</b>	<b>Contactore</b>	<b>From ser. nr. 323</b>
17	1	475934603	0E3032		Mounting slide	
23	1	482447200	0E5755		Electric cabinet	
24	1	482470600	0E5758		Outlet plate	
25	1	482417800	0E5750		Element plate	
27	2	462479801	0E5150	Morsetto	Socket	
28	1	735923240	0E5048	Cuneo	Wedge	
29	1	481601300	0E5176	Fermo	Terminal block	6-pol
30	1	477968000	0E5619	Premistoppa	Stuffing box	
31	1	478044600	0E5033	Niplo	Thermostat pipe nipple	
32	1	740430314	0E5034	Anello	O-ring	
33	1	482630200	0E5548		Bulb nipple	
34	1	741111020	0E5620	Dado	Nut	1/4"

- 1). Livello 2 / Level 2
- 2). Livello 3 / Level 3
- 3). WT 100 - 150 - 200
- 4). Z 250 - 340 - 480
- 5). RT 140 - 190 - 270
- 6). RT 2500 - 3400 - 4800 / D 1800 - 2700 - 3600
- 7). D 1800 - 2700 - 3600
- 8). RT 2500 - 3400 - 4800
- 6). H 511 - 512 - 522

Grassetto = variazioni  
Bold Print = changes



Pos.	Q.tà Q.ty	Art. No	Cod. Ric. Part No	Descrizione	Description	Note Notes
1	1	482417800	0E5750		Element plate	
2	12	476040200	0E5127	Guarnizione	Gasket	
3	6	464212500	0E5126	Resistenza	Heating element	220 / 400V
3	6	464212501	0E5253	Resistenza	Heating element	240 / 415V
3	6	464212502	0E5605		Heating element	200V
3	6	464212503			Heating element	255 / 440V
4	1	63563803	0E5609	Raccordo	Connection	3/4"
5	1	482174003	0E2200	Elettrovalvola	Solenoid valve	50 Hz
5	1	482174006	0E2280	Elettrovalvola	Solenoid valve	60 Hz
6	1	463970000	0E0121	Attacco	Cable terminal	
7	1	63797401	0E0153	Scaricatore	Steam trap	
8	1	482691000	0E5621	Tubo	Pipe	
9	1	482691100	0E5622	Tubo	Pipe	
11	1	482691900	0E5604	Serpentina	Steam coil	
12	1	482742800	0E5774		Plate, steam coil	
13	2	460928102	0E5623	Raccordo	Connection	1/2"

Grassetto = variazioni  
Bold Print = changes

Pos.	Q.tà Q.ty	Art. No	Cod. Ric. Part No	Descrizione	Description	Note Notes
		552202500			Cage nut	KM M5
		552203400			Nut	SNU
		552211801			Rivet nut	M5 6K
		552212101			Flangenut	M4
		552212102	0E5372	Supporto	Flange nut	M6MF5
		552212103	0H2562		Flange nut	M6MF6
		552212104	0E5063	Giunto	Flange nut	M6MF8
		552212105	0E5592	Dado	Flange nut	M6MF10
		552210000	0E3051		Nut	ML6M8
		731231040			Nut	M6M3
		731231240			Nut	M6M4
		731231440			Nut	M6M 5
		731231840			Nut	M6M 8
		732311440			Nut	MHM 5
		732311640			Nut	MHM 6
		762111255			Nut	Pr 28,3 PC
		762111455			Nut	Pr47 PC
		722784019			Blind rivet	4x7,6
		53928831			Washer	d=6,4/28 t=1,5
		53928832	0H2536		Washer	d=6,4/38 t=1,5
		53928851			Washer	d=8,5/38 t=3
		734113609	0G1697		Washer	BRB 4,3x9
		734114609	0E1119	Rondella	Washer	BRB 5,3x10
		734115309	0E1331	Rondella	Washer	BRB 6,4x12,5
		734116409	0E0124	Rondella	Washer	BRB 8,4
		734118609	0H2597		Washer	BRB 17x30
		734119209	0E2292	Rondella	Washer	BRB 21x37x3
		734488440			Washer	BRB 5,2 x15
		734491740			Washer	BRB 6,5x16
		735113640			Elastic washer	FBB 4,1
		735114640			Elastic washer	FBR 5,1
		735115340			Elastic washer	FBB 6,1
		735116440			Elastic washer	FBB 8,2
		735311207	0E5500	Anello chiusura	Locking ring	SGA 10
		735313007	0E5152	Fascetta	Locking ring	SGA 30
		736281951	0E0900	Morsetto	Hose clamp	D=24
		736282851	0E0650	Morsetto	Hose clip	D=38
		736283451	0E2686	Fascetta	Hose clip	D=50
		736284051	072582	Fascetta	Hose clip	D=65
		736284351	0E1358	Fascetta	Hose clip	D=75
		736285251	0E5558	Fascetta	Hose clip	D=112
		478566400			Screw	LKCS 5x20
		478566401			Screw	LKCS 5x50
		478566402			Screw	LKCS 5x30
		478566403	0H2300		Screw	LKCS 5x10
		724122840			Screw	MRX 3x16
		724128540			Screw	MRX 4x6

Grassetto = variazioni  
Bold Print = changes

Pos.	Q.tà Q.ty	Art. No	Cod. Ric. Part No	Descrizione	Description	Note Notes
		724129240	0G1601		Screw	MRX 4x14
		724129940			Screw	MRX 4x30
		724132340			Screw	MRX 5x8
		725232740			Screw	M6S 5x12
		725233140			Screw	M6S 5x20
		725236640	0H2593		Screw	M6S 6x12
		725237040	0G1698		Screw	M6S 6x20
		725237240			Screw	M6s 6x25
		725244740			Screw	M6S 8x12
		725244940			Screw	M6S 8x16
		725245540			Screw	M6S 8x3 0
		725246240			Screw	M6S 8x55
		725246545			Screw	M6S 8x70
		725246640			Screw	M6S 8x75
		725246940	0E3104		Screw	M6S 8x90
		725246945			Screw, thr. up to the neck	M6S 8x90
		725249540			Screw	M6S 10x30
		725545140			Screw	MC6S 8x20
		729528990	0H2594		Screw	K40X10
		729534240			Screw	RXS B 8 x13
		729534640			Screw	RXS B8x19
		729528990	0H2594		Screw	40x10
		477626900	0E5385	Supporto	Strip holder	
		735213672			Lock washer	d=4,3
		735214672			Lock washer	d=5,3
		735215372			Lock washer	d=6,4
		762910507	0E5390		Cable strip	L=181
		762915107	0E5184	Fascetta	Cable strip	L=99
		727532341			Weld bolt	5x8
		727532741			Weld bolt	4x12
		727533141			Weld bolt	5x20

Grassetto = variazioni  
Bold Print = changes



Identification: D06  
**Bulletin no:** **CG-2003\_21 (page 1 of 1)**  
 Date: 03 November 2003  
 Issuer: R. Sartor (Customer Support Dept.)  
 Factory: DW Vallenoncello - Italy

**Subject**      **Circuit Breakers (Automatic Fuses) in RT**

**Model**            Whole Rack Type (RT 10-100...270 / WT 90-95...270) range.

**Problem**        None.

**Reason**         Supplier standardization.

**Action in Factory**      Since serial no. 31900001 we have re-introduced ABB automatic fuses. They have replaced Siemens ones.  
 Here below you find all automatic fuses available:

Current load	Circuit diagram	SIEMENS	ABB	Merlin Gerin	Current load
3 A	1-pole	0E6013	0E5901	0E5564	3 A
6 A	1-pole	0E6014	0E5902	0KN770	6 A
10 A	1-pole	0E6015	0E5903	0E5451	10 A
16 A	1-pole	0E6016	0E5893	0E5729	16 A
10 A	3-poles	0L0041	0E5894	0E2309	10 A
16 A	3-poles	0E6017	0E5895	0E2269	16 A
20 A	3-poles	0L0042	0E5896	0E2271	20 A
25 A	3-poles	0E6018	0E5897	0E5453	25 A
32 A	3-poles	0E6019	0E5898	0E2268	32 A
40 A	3-poles	0E6020	0E5899	0E2270	40 A
50 A	3-poles	0L0043	0E5900	0E5452	50 A

Above automatic fuses have been used in production as follow:

Supplier	From serial no.	To serial no.
Merlin Gerin	550.....	902..... in modular RT 911..... in compact RT
ABB	903..... in modular RT 912..... in compact RT	227xxxxx
Siemens	228.....	318.....
ABB	319.....	

**Action in Field**      The new parts aren't interchangeable towards the previous ones because the phase bar is changed too.  
 This means that:  
**ABB fuses can be fitted only together ABB fuses;**  
**Siemens fuses can be fitted only together Siemens fuses;**  
**Merlin Gerin fuses can be fitted only together Merlin Gerin fuses.**