

USA RE-THERMALIZER

PNC	DESCRIPTION	RIF
P80093-04	RE-THERMALIZER 1X60L - USA 208/60Hz 5Kw	A
P80854-03	RE-THERMALIZER 1X60L - USA 208/60Hz 9kw	C

SPARE PART CATALOGUE N° 01 / 2015 – 12
PRELIMINARY EDITION FOR FIELD TEST
USE.

Index

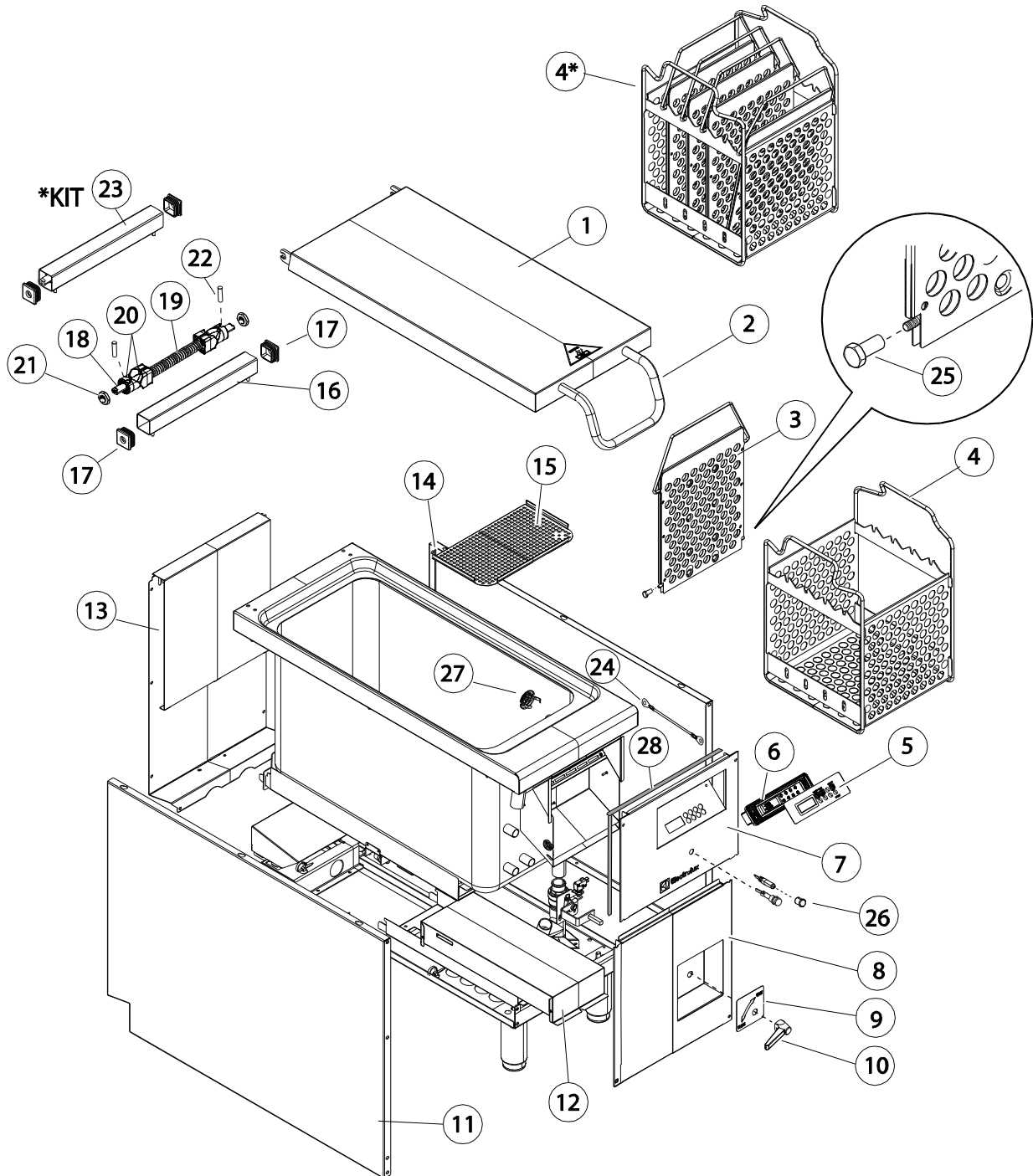
General components / componenti	Page 2
Spare part list / liste ricambi	Page 3
Electric components / component elettrici	Page 4
Spare part list / liste ricambi	Page 5

**Bold = Last Change/ Grassetto= ultima
 modifica**

Ed. page revision 2015 - 12

From Ser. Nr. Up to Ser. Nr.	Ed. document . N° 01 / 2015 - 12	Page 1	Doc. N° 59785UF00
---------------------------------	----------------------------------	--------	--------------------------

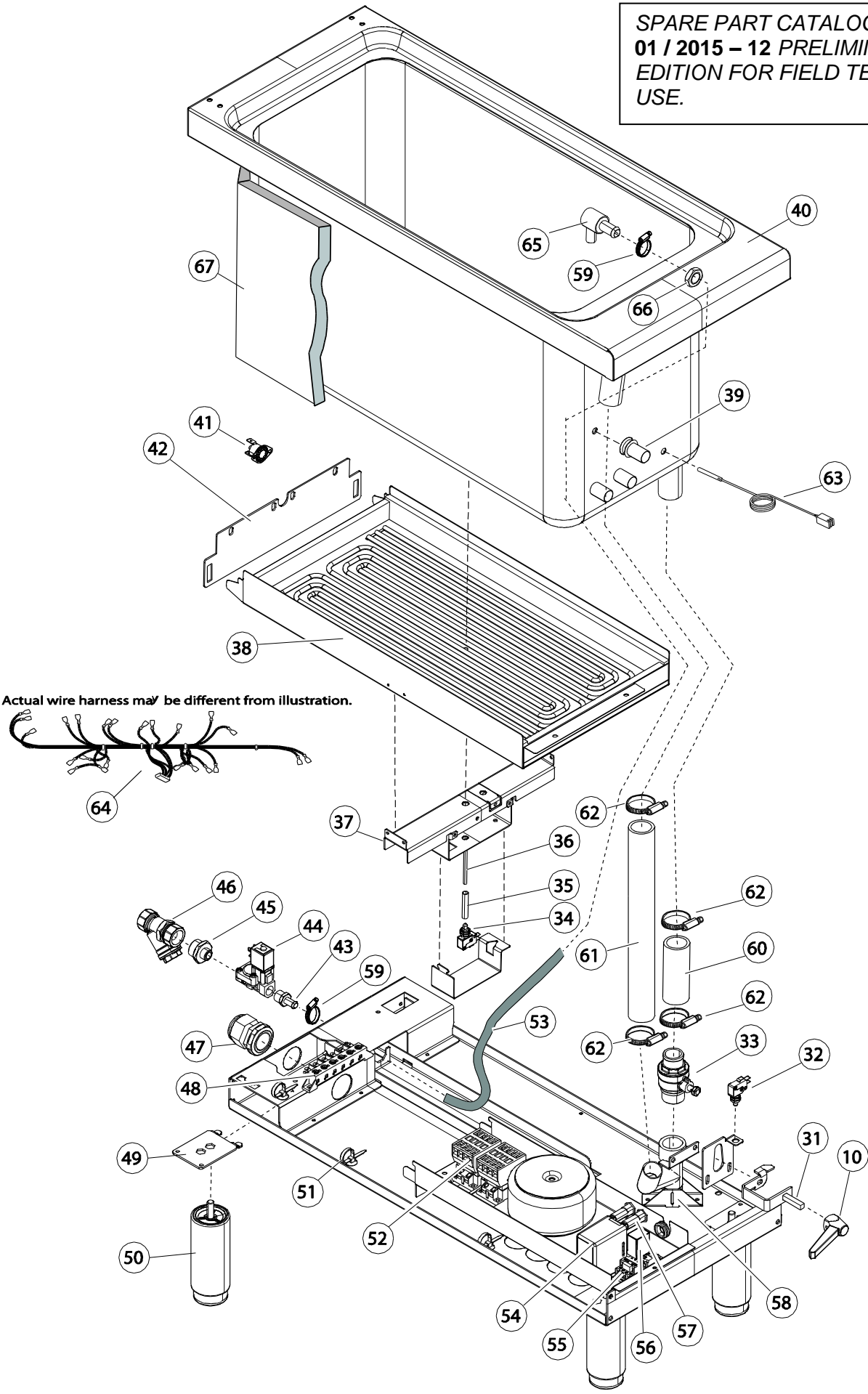
SPARE PART CATALOGUE N° 01 / 2015 – 12
PRELIMINARY EDITION FOR FIELD TEST
USE.



RE THERMALIZER USA

Pos	Spare part Code	Factory Code	Descrizione	Description	Ref./Note
1	OCA554	85089MS01	COPERCHIO COMPLETO	COMPLETE LID	4+3+25
2	*	51589CF00	MANIGLIA	HANDLE	
3	*	83089LN00	DISTANZIALE BUSTE	BAG SEPARATOR	
4*		TO MAKE SPCODE	KIT BUSTE COMPLETO	COMPLETE HOLDER	
4	*	83089LM00	SUPPORTO BUSTE	SOUP HOLDER	
5	*	675860S01	MEMBRANA ADESIVA	THERMOREGULATOR STICKER	
6	OCA549	673800A00	TERMOREGOLATORE	THERMOREGULATOR	
7	*	83089LK00	CRUSCOTTO PANERA	CONTROL PANEL PANERA	
8	*	83089LJ00	PANNELLO FRONT.INFERIORE	LOWER FRONT PANEL	
9	*	598889G00	INDICATORE OPEN /CLOSE	OPEN/CLOSE LABEL	
10	056887	835821900	MANOPOLA VALVOLA SCARICO	DRAIN VALVE HANDLE	
11	*	50089AK00	FIANCO SX	LEFT SIDE PANEL	
12	*	50489TX01	COPERCHIO SCATOLA IMP.EL.	EL.BOX COVER	
13	*	50089AM00	SCHIENALE	BACK PANEL	
14	*	50089AL00	FIANCO DX	RIGHT SIDE PANEL	
15	*	50089AU00	FILTRO DI FONDO	WELL FILTER	
16	*	051589CD00	COPERCHIO CERNIERA	HINGE COVER	
17	*	541813K01	TAPPO CANOTTA	HINGE PLUG	
18	*	51489F001	CANOTTA	HINGE SHAFT	
19	*	51489F101	MOLLA	SPRING	
20	OCA552	546825801	COPPIA BOCCOLE ELICOIDALI	PAIR OF CAMS	
21	OC4202	516896000	DADO FISS. BOCCOLE	NUT, FIXING BUSH	
22	*	219301500	SPINA	PIN	
23		TO MAKE SPCODE	KIT COMPLETO CERNIERA	KIT ASSEMBLY HINGE	16+17+18+19 +20+21+22
24	OC7366	830825901	CAVETTO CRUSCOTTO.	SUPPORT CABLE	
25	*	51489F600	BULLONE FILETTO CAVO	INNER THREADED BOLT	
26	005011	876800102	LAMPADA COMPLETA ARANCIO	COMPLETE ORANGE LAMP	
	OC0249	660805600	LAMPADINA	BULB	
	OC2182	655800200	LENTE ARANCIO	ORANGE LENS	
27	OC6960	506899Z01	GRIGLIETTA SCARICO	WELL DRAIN GRID	
28	OC2496	543821900	GUARNIZ. SPUGNA GRIGIA	GRAY SPONGE GASKET	

SPARE PART CATALOGUE N° 01 / 2015 – 12
PRELIMINARY EDITION FOR FIELD TEST
USE.



RE THERMALIZER USA

Pos	Spare part Code	Factory Code	Descrizione	Description	Ref./Note
10	056887	835821900	MANOPOLA VALVOLA SCARICO	DRAIN VALVE HANDLE	
31	*	80589DC01	PROLUNGA MANIGLIA SCARICO	EXSTENSION DRAIN HANDLE	
32	OCA553	640804N00	MICRO SICUREZZA SCARICO	DRAIN SAFETY SWITCH	
33	OCA274	80589CN00	VALVOLA	VALVE	
34	OCA553	640804N00	MICRO SICUREZZA VASCA	WELL SAFETY SWITCH	
35	OC8182	569807501	ASTA CERAMICA	CERAMIC ROD	
36	*	51489DT00	PROLUNGA ASTA MICRO	EXTENSION ROD	
37	*	50489T401	STAFFA SUPPORTO	SUPPORT BRAKET	
38	*	61783A101	RESISTENZA ELETTRICA	HEATING ELEMENT	C, 208V-9KW
	*	61783A001	RESISTENZA ELETTRICA	HEATING ELEMENT	A, 208V-5KW
39	OC9755	541813G03	SUPPORTO SONDA, TEFLON	TEFLON PROBE SUPPORT	
40	*	83089LH02	RIPIANO VASCA	WELL ASSEMBLY	
41	OC6155	653800001	TERMOSTATO DI SICUREZZA	SAFETY THERMOSTAT	
42	*	50489TZ01	STAFFA RESISTENZA	H.ELEMENT BRAKET	
43	*	51489F200	PORTAGOMMA	PIPE ADAPTER	
44	*	696618700	ELETTROVALVOLA	WATER VALVE	
45	*	51489F400	ADATTATORE NIPPLO	ADAPTER	
46	OC4113	806862800	FILTRO CARTUCCIA INGRESSO	WATER FILTER	
47	OC3528	544802400	FERMA CAVO ALIMENTAZIONE	CABLE STOPPER (GLAND)	Ø 37,5 mm
48	OCA556	639813800	MORSETTIERA	TERMINAL BLOCK	
49	OTTG45	50589CD00	STAFFA PIEDE	FOOT BRAKET	
50	OC0204	835856901	PIEDE	FOOT	
51	*	639622800	FASCETTA MESSICANO	CABLE STOPPER STRAP	5X160MM
52	*	648809200	RELE' / CONTATTORE	RELE' / CONTACTOR	
53	*	544819400	TUBO CARICO	INLET WATER PIPE	
54	OC0937	646813400	REG. LIV.ACQUA (GICAR)	WATER LEVEL REG. (GICAR)	
55	002786	639806401	BASE RELE' FINDER	BASE FOR RELE'	
56	002787	648804201	RELE'	RELE'	
57	OF0031	652802100	PORTA FUSIBILE	FUSE HOLDER	
	*	652802900	FUSIBILE	FUSE	630MA 5X20mm
58	*	80589DB00	RACCORDO SCARICO ACQUA	WATER DRAIN CONNECTION	
59	*	518613100	FASCETTA, ALIMENTAZIONE	CLAMP BAND, INLET	Ø 12-22MM
60	OC5829	544819400	TUBO SCARICO EPDM BLU	DRAIN PIPE	10X17MM
61	OCA276	544826400	TUBO TROPPOPIENO	OVERFLOW PIPE	
62	*	518613300	FASCETTA, SCARICO	CLAMP BAND, DRAIN	Ø 25-40MM
63	006609	675837201	SONDA TEMPERATURA	TEMPERATURE PROBE	
64	*	63889B800	CABLAGGIO RE-THERM. 9KW	WIRING HARNESS 9KW	
65	*	51489F701	GETTO EROGATORE VASCA	TIP INLET	
66	OC8993	516875100	DADO FISS. GETTO	TIP NUT	
67	*	560874000	ISOLAMENTO LANA DI VETRO	FIBERGLASS INSULATION	

SPARE PART CATALOGUE N° 01 / 2015 – 12
PRELIMINARY EDITION FOR FIELD TEST
USE.