



## 400 lt -24 > -15°C

### Evaporation grids full door with digital control

Code	Avv	Model and Type	Ref.	Brand	Page
730024	01	1-DOOR DX FREEZ. 400 LT -15°-24°C S/S a 430 UK + castor	g	Electrolux	2-4-5
730025	01	1-DOOR SX FREEZ. 400 LT -15°-24°C S/S a 430 UK + castor	f	Electrolux	2-4-5
730102	02	R04FSF4M 1-DOOR FREEZER 400 LT -15°-24°C S/S marine	e	Electrolux	2-4-5
<b>730105</b>	<b>01</b>	<b>R04FSFW6 1-DOOR FREEZER 400L WHITE -15°-24°C 60HZ</b>	<b>h</b>	<b>Electrolux</b>	<b>2-4-5</b>
730159	13	R04FSGGW 1-GlassFREEZER 400 LT -15°-24°C-WHITE	d	Electrolux	3-4-5
730187	02	R04FSFWG 1-DOOR FREEZER 400LT -15°-24°C-WHITE-UK	a	Electrolux	2-4-5
730189	12	R04FSF4 1-DOOR FREEZER 400 LT -15°-24°C S/S a 430	c	Electrolux	2-4-5
730193	06	R04FSFW 1-DOOR FREEZER 400 LT -15°-24°C-WHITE	b	Electrolux	2-4-5

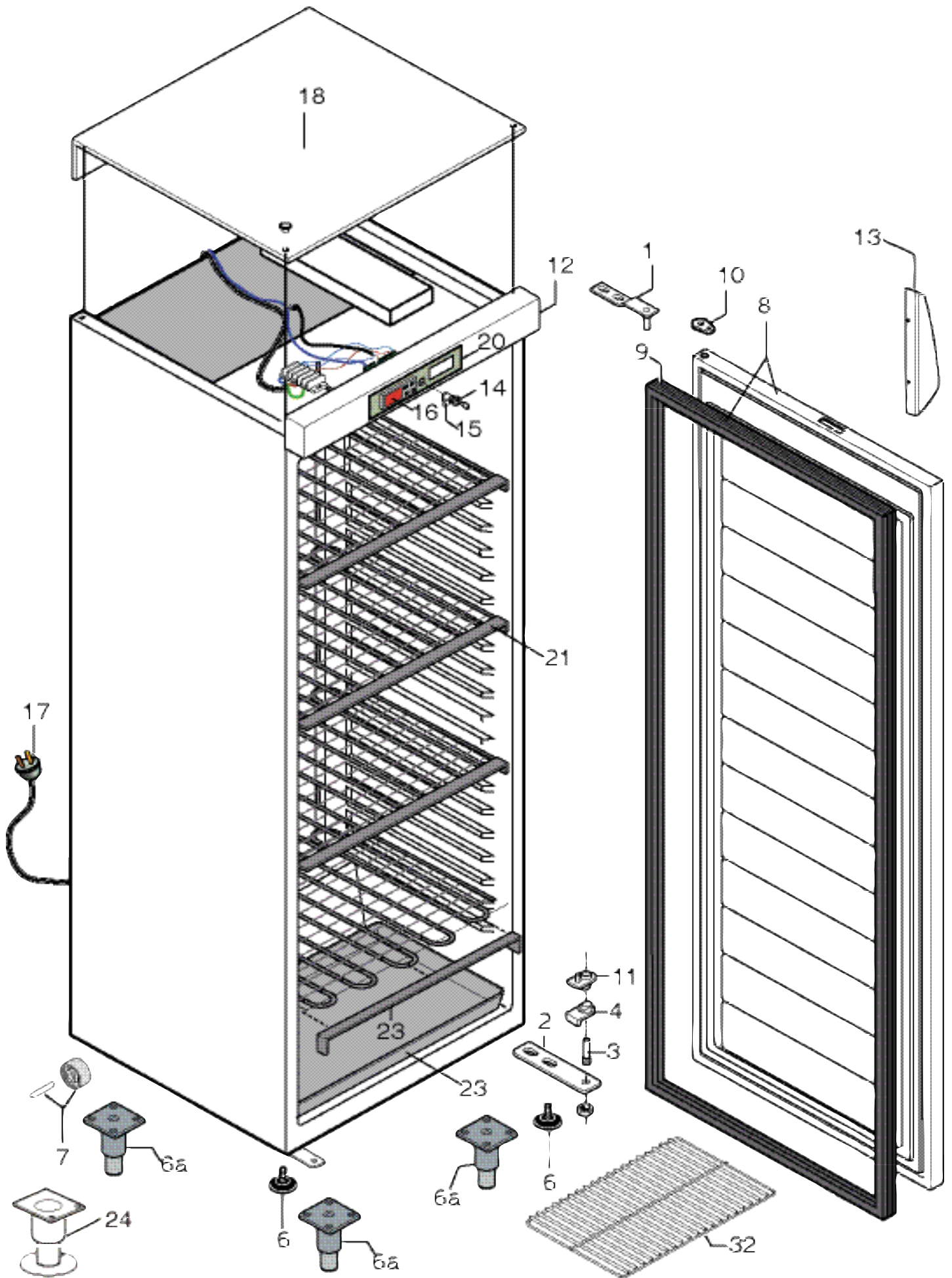
**NOTE**

update code :

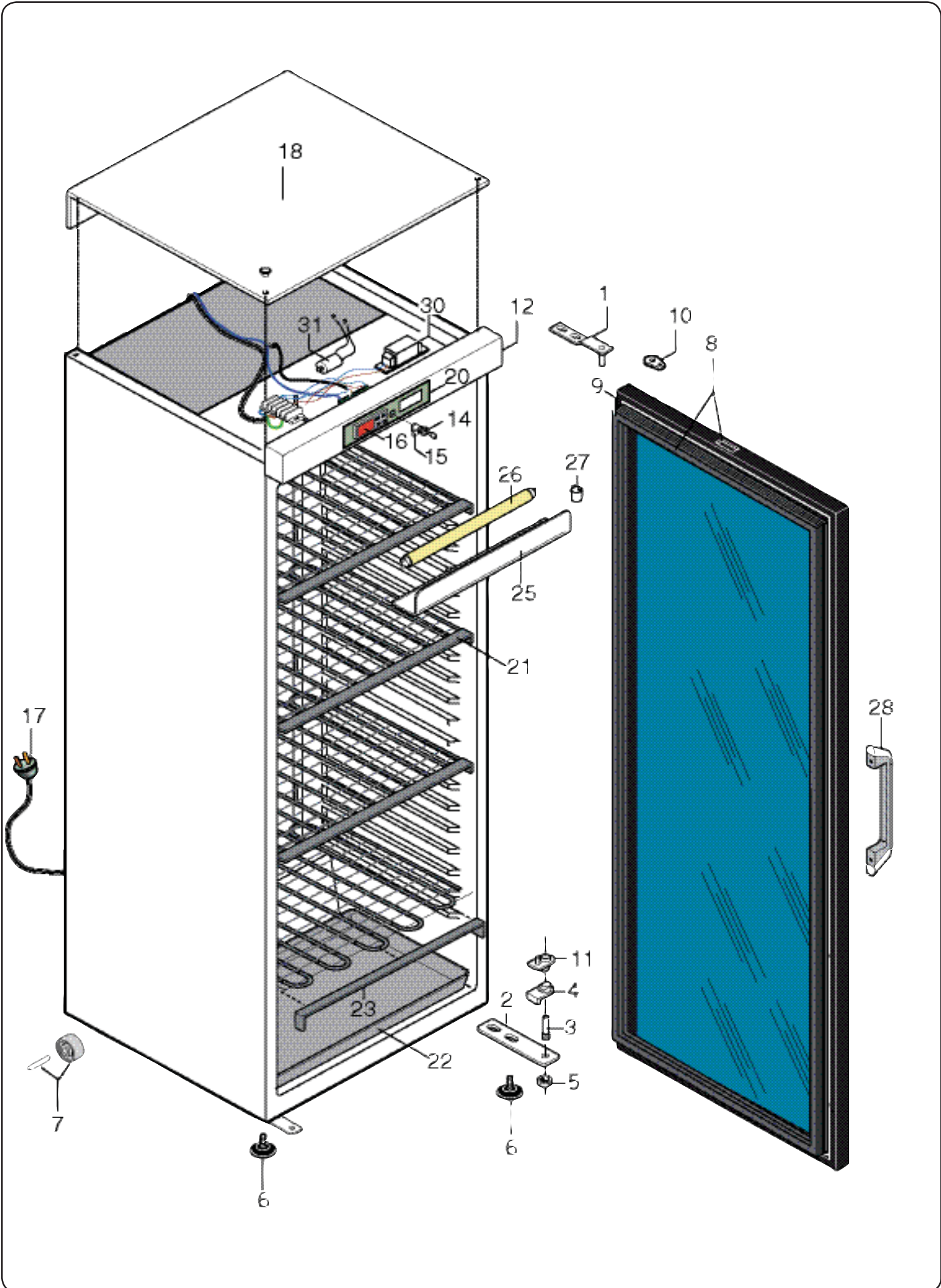
please to refer the parameters list in web site in order to set thermoregulator

Pag./Page	Indice	Index
2,3,4,	Esploso	Exploded view
5,	Lista ricambi	Spare parts list

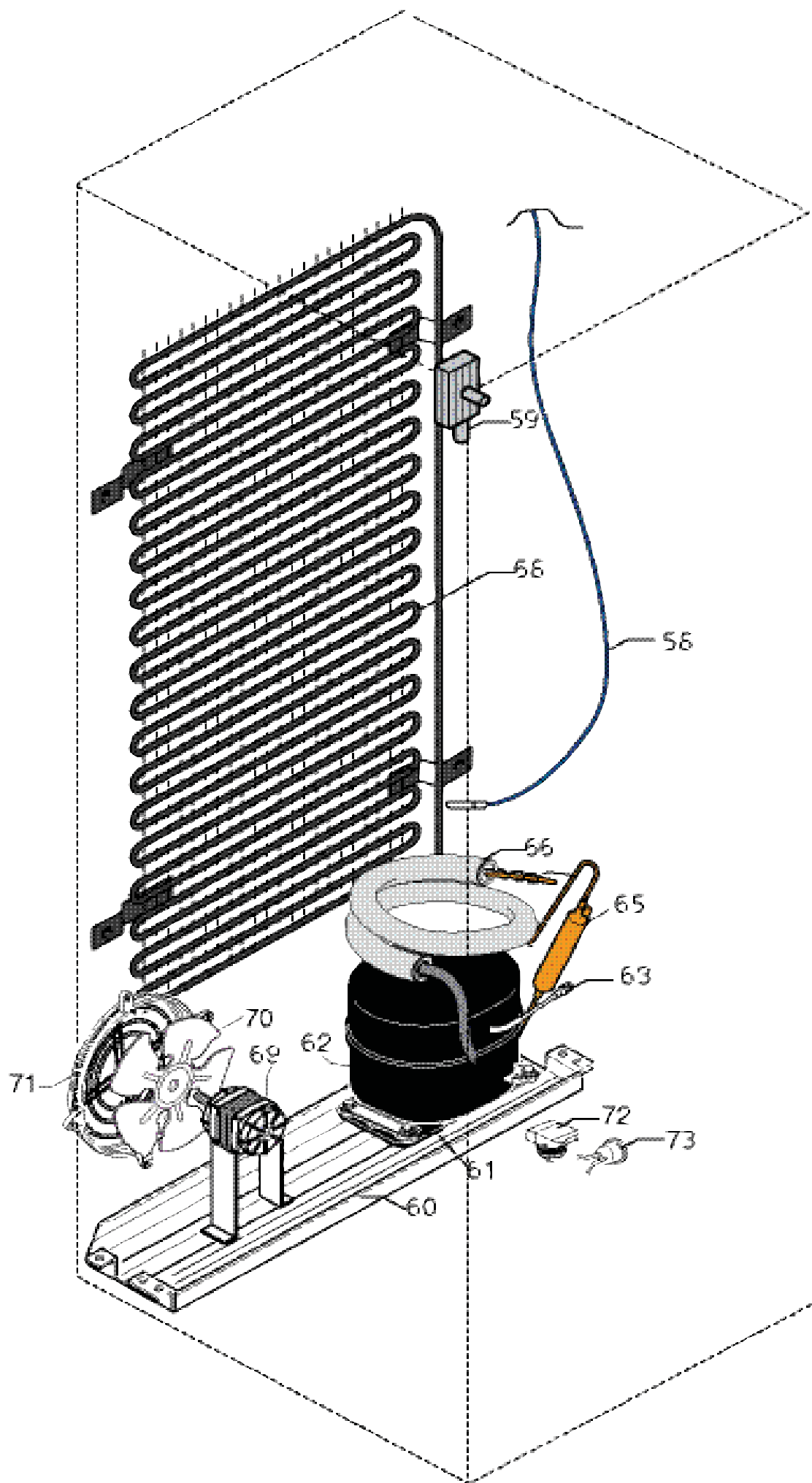
Marchio / Brand: *Electrolux*  
 Paese / Country: *Tutti / All*



\* Componenti disponibili a richiesta  
 \* Component available upon request



\* Componenti disponibili a richiesta  
 \* Component available upon request



PNC REF 730187 a 730193 b	PNC REF 730189 c 730102 e	PNC REF 730159 d 730024 f	PNC REF 730024 g 730105 h	PNC REF	PNC REF	PNC REF	PNC REF	PNC REF
---------------------------------	---------------------------------	---------------------------------	---------------------------------	---------	---------	---------	---------	---------

Pos	Code	Descrizione	Description	Ref. / Notes
		<b>PAGINA 2-3</b>	<b>PAGE 2-3</b>	
1	0A9548	Staffa superiore	Upper bracket	a,b,h
1	0A9266	Staffa superiore	Upper bracket	c,e,f,g
1	099245	Staffa superiore	Upper bracket	d
2	0A9549	Staffa inferiore	Lower bracket	
3	082962	Perno	Pin	
4	082964	Boccola inferiore	Lower bush	
5	091346	Dado	Nut	
6	083079	Piedino	Foot	a,b,d,h
6a	089140	Piedino	Foot	c
7	084211	Ruota	Castor	a,b,d,h
8	0A9541	Porta (white)manigli.schiu	Door (white)foamed handle	a,b,h until ser.3030100..
8	876719610	Porta (white) senza manig.	Door (white)external handle	a,b,h from ser.3040100..
8	085695	Porta (aisi 430) manigli.schiu.	Door (aisi 430) foamed handle	c,e,f,g until ser.3030100..
8	876730807	Porta (aisi 430) senza manig.	Door (aisi 430) external handle	c,e,f,g from ser.3040100..
8	0A9613	Porta Vetro	Glass door	d
9	085719	Guarnizione porta	Door gasket	a,b,c,e,f,g,h
9	094399	Guarnizione porta	Door gasket	a,b,c,e,f,g,h
9	092268	Guarnizione porta	Door gasket	d
10	0A9096	Boccola per staffa	Bush	
11	0A9092	Boccola elicoidale	Upper bush with pin	a,b,c,e,f,g,h
11	082965	Boccola elicoidale	Upper bush with pin	d
12	092266	Cruscotto con serratura	Control panel + lock	a,b,d,h
12	092269	Cruscotto con serratura	Control panel + lock	c,e,f,g
13	506R00700	Maniglia acciaio	Stainless steel handle	a,b,c,e,f,h from srN°.3040100..
14	0A8655	Serratura	Lock	
15	099623	Particolare per serratura	Lock accessory	
16	092255	Termoregolatore (by Carel)	Termoregulator (by Carel)	to be setted
17	0C2193	Cavo alimentazione	Power supply cable	a
17	099991	Cavo alimentazione	Power supply cable	b,d,h
18	092249	Coperchio superiore bianco	Top panel white	a,b,d,h
18	092253	Coperchio superiore	Top panel	c,e,f,g
20	099247	Adesivo per cruscotto	Stiker to brand	
21	085722	Griglie evaporanti	Evaporation Grids	
22	0A8675	Bacinella	Basin	
23	0A9610	Bordino per griglia	Protection grid	
24	090000	Piedino marina	Foot (Marin)	e
25	501R20301	Schermo lampada	Light protection	d
26	0A9198	Neon	Neon	d
27	0A9199	Starter	Starter	d
28	087437	Maniglia	Handle	d
29	083042	Interuttore	switch	d
30	0A9200	Reattore	Ballast	d
31	092257	Filtro	Electric filter	d
*	084384	Molle per neon	Neon spring	d
32	0A8650	Griglia	Shelf	f,g
*	087110	Ruota	Castor	f,g
*	088602	Protezione sonda	Protection probe	
58	092174	Sonda Cella (blu)	Cell Probe (blue)	
59	085523	Valvola di compensazione	Compensation valve ( door)	
60	091977	Traversa supporto compres.	Compressor support	
61	087122	Dispositivo fiss.Compressore	Compressor fixing	
62	093233	Compressore NEK2168GK	Compressor NEK2168GK	
62	099225	Compressore MP14FG 60hz	Compressor MP14FG 60HZ	e
62	093500	<b>Compressore NEK2150GK</b>	<b>Compressor NEK2150GK</b>	h
63	0A8171	Valvolina di ricarica comp.	Discharge /charge valve compressor	
65	084078	Filtro deidratatore	Dehidrator filter	
66	085706	Assieme scambiatore	Heating Exchanger MP14FB	
66	093234	Assieme scambiatore	Heating Exchanger NEK2168GK	
68	085721	Condensatore a fili	Condenser	
69	085674	Ventilatore compressore	Ventilator for compressor	
70	089696	Ventola	Fan	
70	084041	Ventola	Fan	e
70	084041	<b>Ventola</b>	<b>Fan</b>	h

PNC REF	PNC REF	PNC REF	PNC REF	PNC REF	PNC REF	PNC REF	PNC REF	PNC REF
730187 a	730189 c	730159 d	730024 g					
730193 b	730102 e	730024 f	730105 h					

Pos	Code	Descrizione	Description	Ref. / Notes
71	091602	Griglia ventilatore	Protection fan	
72	*	Relè d'avviamento MP14FB	Start relays MP14FB	
73	*	Protettore MP14FB	Protector MP14FB	