

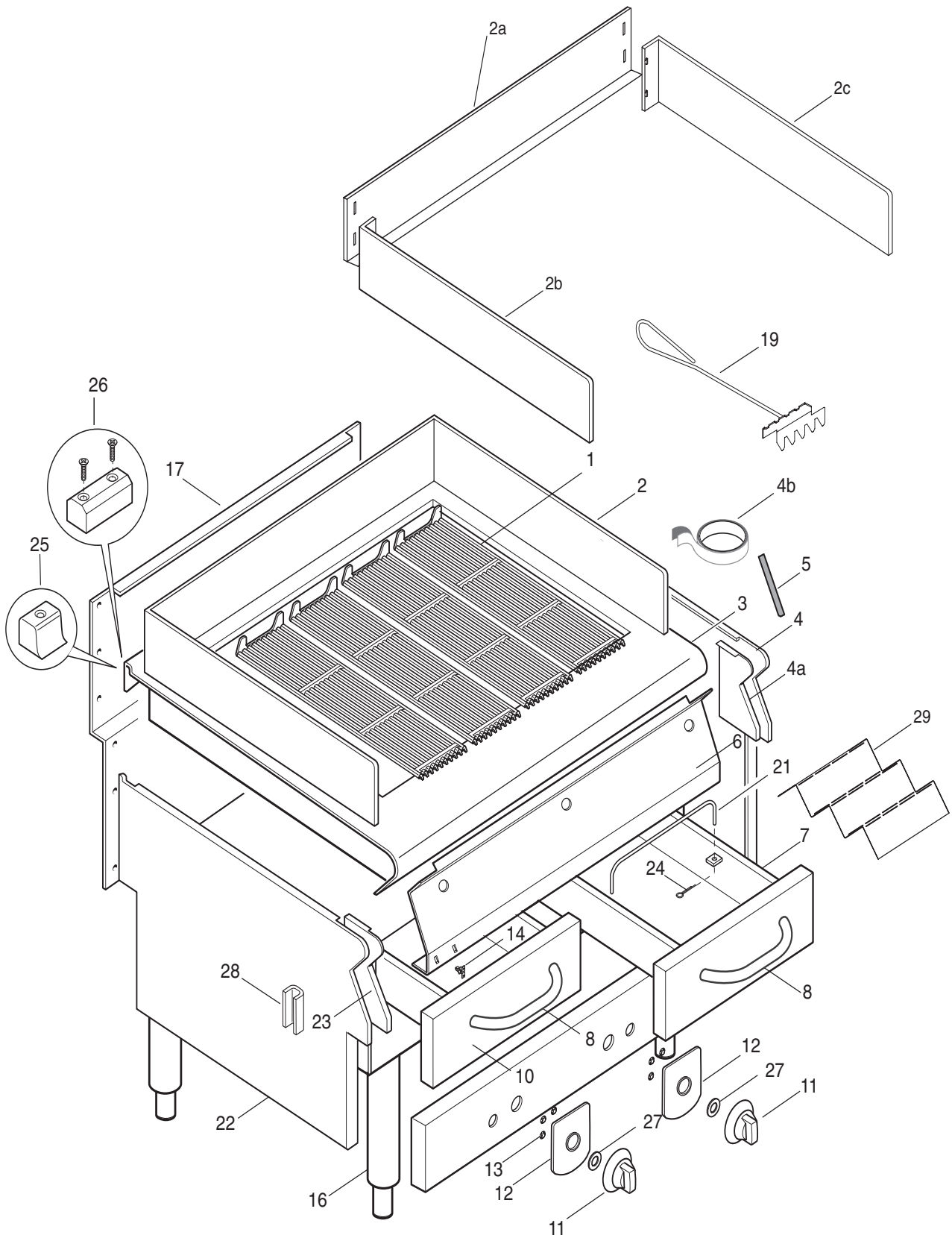
PNC	Model	Ref.	Page	Notes
210 241	QGR/G1	a	1 - 6	Gas grill 400
210 242	QGR/G2	b	1 - 6	Gas grill 800
210 249	QGR/T1	c	1 - 6	Gas grill Town Gas 400
210 250	QGR/T2	d	1 - 6	Gas grill Town Gas 800
210 243	QGR/E1	e	1 - 6	Electric grill 400
210 244	QGR/E2	f	1 - 6	Electric grill 800

Pag. 1 - 2 - 3
Pag. 4 - 5 - 6

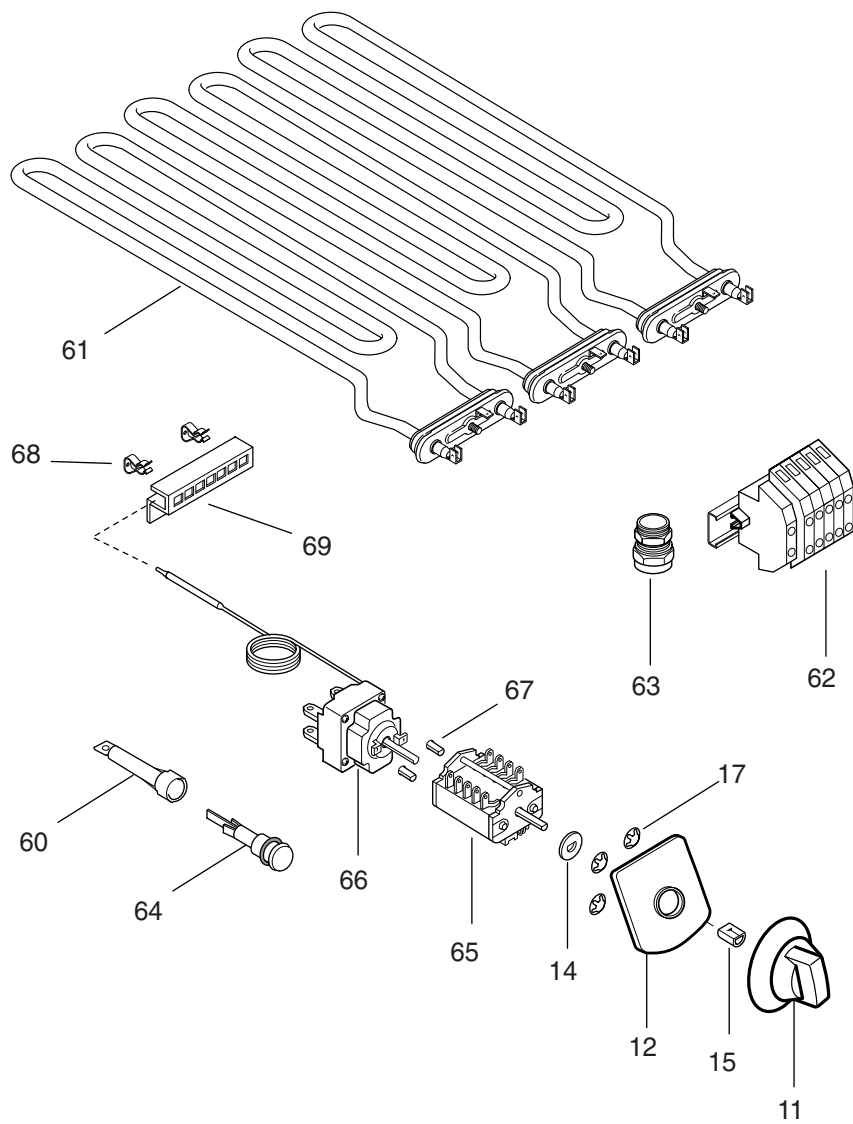
Index
Frame and components
Spare parts list

Indice
Struttura e componenti
Lista ricambi

Brand / Marchio : Electrolux
Factory code: 9PDX



GRIGLIA GAS ED ELETTRICA N900
GAS AND ELECTRIC GRILL N900



GRIGLIA ELETTRICA N900
ELECTRIC GRILL N900

GRIGLIA GAS ED ELETTRICA N900
GAS AND ELECTRIC GRILL N900

PNC	Model	Ref.	PNC	Model	Ref.
210241	QGR/G1	a	210242	QGR/G2	b
210249	QGR/T1	c	210250	QGR/T2	d
210243	QGR/E1	e	210244	QGR/E2	f

Pos	Factory Code	6DGT Code	Descrizione	Description	Ref./ Notes
			Pagina 1	Page 1	
1	0510820801	0C0450	GRIGLIA GOLOSA GHISA 400mm	CAST IRON GRID 400mm	a c e
	0510820901	0C0424	GRIGLIA GOLOSA GHISA 800mm	CAST IRON GRID 800mm	b d f
2	0835858101	0C0451	PARASPRUZZI GRIGLIA ELET. 400mm	SPLASHBACK ELECT.GRILL 400mm	e
	0835858203	0C0452	PARASPRUZZI GRIGLIA ELET. 800mm	SPLASHBACK ELECT.GRILL 800mm	f
2	0835858101	0C0451	PARASPRUZZI GRIGLIA GAS 400mm	SPLASHBACK GAS GRILL400mm	a c till s/n 619
	0835858203	0C0452	PARASPRUZZI GRIGLIA GAS 800mm	SPLASHBACK GAS GRILL 800mm	b d till s/n 619
2a	0532831900	0C3952	PARETE POST. PARASPRUZZI 400mm	BACK PANEL SPLASHBACK 400mm	a c since s/n 619
	0532831400	0C3949	PARETE POST. PARASPRUZZI 800mm	BACK PANEL SPLASHBACK 800mm	b d since s/n 619
2b	0532831500	0C3950	PARETE SINISTRA PARASPRUZZI	LEFT PANEL SPLASHBACK	a b c d since s/n 619
2c	0532831600	0C3951	PARETE DESTRA PARASPRUZZI	RIGHT PANEL SPLASHBACK	a b c d since s/n 619
3	0870841701	0C2082	RIPIANO GRIGLIA ELETTRICA 400mm	WORK TOP ELEC. GRILL 400mm	e
	0870841601	0C2081	RIPIANO GRIGLIA ELETTRICA 800mm	WORK TOP ELEC. GRILL 800mm	f
3	0870841701	0C2082	RIPIANO GRIGLIA GAS 400mm	WORK TOP GAS GRILL 400mm	a c till s/n 619
	0870864401	0C3957	RIPIANO GRIGLIA GAS 400m m	WORK TOP GAS GRILL 400mm	a c since s/n 619
	0870841601	0C2081	RIPIANO GRIGLIA GAS 800mm	WORK TOP GAS GRILL 800mm	b d till s/n 619
	0870864500	0C3956	RIPIANO GRIGLIA GAS 800m m	WORK TOP GAS GRILL 800mm	b d since s/n 619
4	0527824702	0C1993	FIANCO DESTRO	RIGHT SIDE PANEL	
4a	0527837004	*	RINFORZO FIANCO DESTRO	RIGHT SIDE PANEL STIFFENING	
4b	0147098068	0C1289	ADESIVO STRUTTURALE	STRUCTURAL ADHESIVE TAPE	
5	0140088006	0L0113	GUARNIZIONE X CRUSCOTTO	GASKET, CONTROL PANEL	
6	0853888800	0C2065	CRUSCOTTO GAS 400mm	GAS CONTROL PANEL 400mm	a c
	0853888900	0C2066	CRUSCOTTO GAS 800mm	GAS CONTROL PANEL 800mm	b d
	0853889200	0C2067	CRUSCOTTO ELETT. 400mm	ELECT. CONTROL PANEL 400mm	e
	0853889300	0C2068	CRUSCOTTO ELETT. 800mm	ELECT. CONTROL PANEL 800mm	f
7	0853859101	0C0461	CASSETTO 400mm	DRAWER 400mm	
	0853857702	0C0464	CASSETTO DESTRO 800mm	RIGHT SIDE DRAWER 800mm	
8	0830896500	0C2026	MANIGLIA CASSETTO	RIGHT SIDE HANDLE, DRAWER	
10	0853859001	0C0462	CASSETTO SINISTRO 800mm	LEFT SIDE DRAWER 800mm	b d f
11	0548859800	0C2010	MANOPOLA RUBINETTO GAS	KNOB, GAS TAP	a b c d
	0548860501	0C2013	MANOPOLA COMMUTATORE ELETT.	KNOB, ELECTRICAL SWITCH	e f till s/n 643
	0548859900	0C2011	MANOPOLA COMMUTATORE ELETT.	KNOB, ELECTRICAL SWITCH	e f since s/n 643
12	0548858000	0C2007	GHIERA PER RUBINETTO GAS	KNOB RING, GAS TAP	a b c d
	0548862700	0C2017	GHIERA PER COMMUTATOTE EL.	KNOB RING, ELECTRICAL SWITCH	e f
13	0218912211	069567	MOLLETTA FISSAGGIO GHIERA	SPRING, KNOB RING	
14	0518801801	053342	MOLLA PER MARCHIO	SPRING, LABEL	
15	0218912211	069567	MOLLA PER MANOPOLA	SPRING, KNOB	
16	0835860001	0C0467	GAMBA	LEG	
17	0529841801	0C0468	SCHIENALE 400mm	REAR SIDE PANEL 400mm	a c e
	0529841902	0C0469	SCHIENALE 800mm	REAR SIDE PANEL 800mm	b d f
18	0530836600	0C2003	PANNELLO ANTERIORE GAS 400mm	FRONT PANEL GAS 400mm	a c
	0530836403	0C2002	PANNELLO ANTERIORE GAS 800mm	FRONT PANEL GAS 800mm	b d
	0831824200		PANNELLO ANT. ELETT.400mm	FRONT PANEL ELECTRIC 400mm	e
	0831824100	0C2027	PANNELLO ANT. ELETT.800mm	FRONT PANEL ELECTRIC 800mm	f
19	0831802600	0C0474	RASCHIETTO PER GRIGLIA	SCRAPER	see TB05-04
21	0514885600	059299	MANIGLIA PORTA CASSETTO	HANDLE	
22	0529824802	0C1994	FIANCO SINISTRO	LEFT SIDE PANEL	
23	0527837104	*	RINFORZO FIANCO SINISTRO	LEFT SIDE PANEL STIFFENING	
24	0219293205	0C0477	COPIGLIA	COTTER PIN	

GRIGLIA GAS ED ELETTRICA N900
GAS AND ELECTRIC GRILL N900

PNC	Model	Ref.	PNC	Model	Ref.
210241	QGR/G1	a	210242	QGR/G2	b
210249	QGR/T1	c	210250	QGR/T2	d
210243	QGR/E1	e	210244	QGR/E2	f

Pos	Factory Code	6DGT Code	Descrizione	Description	Ref./ Notes
			Pagina 1	Page 1	
25	0541810600	0C0187	TAPPO POSTERIORE RIPIANO	STOPPER	
26	0516860700	0C0137	PIASTRA UNIONE POSTERIORE	JOINTING REAR PLATE	
27	0543821000	053816	GUARNIZIONE PER MANOPOLA	GASKET, KNOB	e f
28	0527850500	0C0156	PIASTRA FISSAGGIO FIANCHI	SIDE PANELS JOINTING PLATE	
29	0533869700	0C4053	TEGOLI RADIANTI PER CASSETTO	RADIANT SHIELDS FOR DRAWER	e f since s/n 643
			Pagina 2	Page 2	
30	0517873800	0C0480	CONDUTTURA PILOTA 400mm	PILOT PIPE 400mm	a c
	0517871101	0C0481	CONDUTTURA PILOTA DX 800mm	PILOT PIPE RIGHT SIDE 800mm	b d
31	0517871001	0C0482	CONDUTTURA PILOTA SX 800mm	PILOT PIPE LEFT SIDE 800mm	b d till s/n 619
	0517871003	0C5118	CONDUTTURA PILOTA SX 800mm	PILOT PIPE LEFT SIDE 800mm	b d since s/n 619
32	0806821400	0C0483	RIBALTA 400mm	MANIFOLD 400mm	a c
	0806821501	0C0484	RIBALTA 800mm	MANIFOLD 800mm	b d
33	0638883500	006514	CAVETTO ACCENSIONE PIEZO	IGNITION CABLE, PIEZO	a b c d
34	0214111412	050670	DADO RUBINETTO	NUT, GAS TAP	a b c d
35	0806821301	0C0485	CONDUTTURA 400mm	GAS PIPE 400mm	a c
	0806821200	0C0486	CONDUTTURA DESTRA 800mm	GAS PIPE RIGHT SIDE 800mm	b d
36	0806821100	0C0487	CONDUTTURA SINISTRA 800mm	GAS PIPE LEFT SIDE 800mm	b d
37	0215199700	052127	BICONO PILOTA - RUBINETTO GAS	DOUBLE CONE, PILOT - GAS TAP	a b c d
38	0830897000	0C0488	ELETTRODO; ACCENSIONE	ELECTRODE	a b c d
39	0830852900	052814	TERMOCOPPIA	THERMOCOUPLE	a b c d
40	0835861700	0C0489	RUBINETTO GAS	GAS TAP	a b c d
41	0511805801	059375	PORTAUGELLO	NOZZLE HOLDER	a b c d
42	0214105101	020997	CONTRODADO	LOCK NUT	a b c d
43	0215088100	052062	BOCCOLA REGOLAZIONE ARIA	BUSH, AIR REGULATION	a b c d
44	0835857000	0C0490	BRUCIATORE	BURNER	a b c d till s/n 619 a b c d
	0835857002	0C3953	BRUCIATORE	BURNER	since s/n 619 a b c d
45	0214164400	052125	RACCORDO PILOTA	PIPE FITTING, PILOT	a b c d
46	0515860200	054979	BICONO RUBINETTO	DOUBLE CONE, GAS TAP	a b c d
47	0515827401	053665	BICONO PILOTA	DOUBLE CONE, PILOT	a b c d
49	0835834900	002605	ACCENDITORE PIEZO	PIEZOELECTRIC IGNITER	a b c d
49a	0541809000	002816	COPERTURA PULSANTE PIEZO	COVER, PIEZO	a b c d
50	0214162000	0C0121	RACCORDO TERMOCOPPIA	PIPE FITTING, THERMOCOUPLE	a b c d
51	0528820001	0C0492	SUPPORTO PILOTA GRIGLIA	HOLDER FOR PILOT	a b c d
52	0528823800	0C0493	PIASTRA PER SUPP. PILOTA	PILOT HOLDER'S PLATE	a c
53	0830894900	0C0494	PILOTA	PILOT	a b c d
54	0835859001	0C0478	TEGOLO RADIANTE 400mm	RADIANT PLATES 400mm	a c till s/n 446
	0806861400	0C4021	TEGOLO RADIANTE 400mm	RADIANT PLATES 400mm	a c till s/n 619
	0806856000	0C3946	TEGOLO RADIANTE 400mm	RADIANT PLATES 400mm	a c since s/n 619
	0835858303	0C0479	TEGOLO RADIANTE 800mm	RADIANT PLATES 800mm	b d till s/n 446
	0529842503	0C2475	TEGOLO RADIANTE 800mm	RADIANT PLATES 800mm	b d till s/n 619
	0806861500	0C4022	TEGOLO RADIANTE 800mm	RADIANT PLATES 800mm	b d till s/n 619
	0806855700	0C3945	TEGOLO RADIANTE 800mm	RADIANT PLATES 800mm	b d since s/n 619
54a	0528864200	0C3754	CHIUSURA TEGOLO 400mm	FRONT PLATE RADIANT SHIELD 400	a c since s/n 619
	0528863700	0C4055	CHIUSURA TEGOLO 800mm	FRONT PLATE RADIANT SHIELD 800	b d since s/n 619
55	0522875901	0C2476	SUPPORTO ANT. TEGOLI 400mm	FRONT HOLDER, RAD. PLATE 400mm	a c till s/n 619
	0528866300	0C4056	SUPPORTO ANT. TEGOLI 400mm	FRONT HOLDER, RAD. PLATE 400mm	a c since s/n 619
	0522876101	0C2477	SUPPORTO ANT. TEGOLI 800mm	FRONT HOLDER, RAD. PLATE 800mm	b d till s/n 619
	0528866500	0C4057	SUPPORTO ANT. TEGOLI 800mm	FRONT HOLDER, RAD. PLATE 800mm	b d since s/n 619
56	0522876000	0C2478	SUPPORTO POST. TEGOLI 400mm	RERA HOLDER, RAD. PLATE 400mm	a c till s/n 619
	0528866400	0C4058	SUPPORTO POST. TEGOLI 400mm	RERA HOLDER, RAD. PLATE 400mm	a c since s/n 619
	0522876200	0C2479	SUPPORTO POST. TEGOLI 800mm	RERA HOLDER, RAD. PLATE 800mm	b d till s/n 619
	0528866600	0C4059	SUPPORTO POST. TEGOLI 800mm	RERA HOLDER, RAD. PLATE 800mm	b d since s/n 619

GRIGLIA GAS ED ELETTRICA N900
GAS AND ELECTRIC GRILL N900

PNC	Model	Ref.	PNC	Model	Ref.
210241	QGR/G1	a	210242	QGR/G2	b
210249	QGR/T1	c	210250	QGR/T2	d
210243	QGR/E1	e	210244	QGR/E2	f

Pos	Factory Code	6DGT Code	Descrizione	Description	Ref./ Notes
			Pagina 3	Page 3	
60	638865100	005370	RESISTENZA DI DISPERSIONE	LEAKAGE RESISTANCE	e f
61	617825100	0C0495	RESISTENZA 2500W 400V	HEATING ELEMENT 2500W 400V	e f
62	639805001	059239	MORSETTIERA	MAIN TERMINAL BLOCK	e f
63	544802300	0C0068	PRESSACAVO	FIXING CABLE	e f
64	876800002	005010	LAMPADA SPIA VERDE	PILOT LAMP; GREEN	e f
65	641803400	006649	COMMUTATORE	SWITCH	e f
66	646806300	002402	TERMOSTATO	THERMOSTAT	e f
	0446578913	052099	TERMOSTATO	THERMOSTAT	till s/n 643 e f
67	214123600	050256	PERNO COLLEGAMENTO	PIN, JUNCTION	since s/n 643 e f
68	214584201	066823	MOLLA FISSAGGIO BULBO	SPRING, BULB THERMOSTAT	e f
69	525833001	*	GRIGLIA PROTEZIONE BULBO	GRID, PROTECTION BULB	e f
	0527893500	0C4054	GRIGLIA PROTEZIONE BULBO	GRID, PROTECTION BULB	till s/n 643 e f since s/n 643