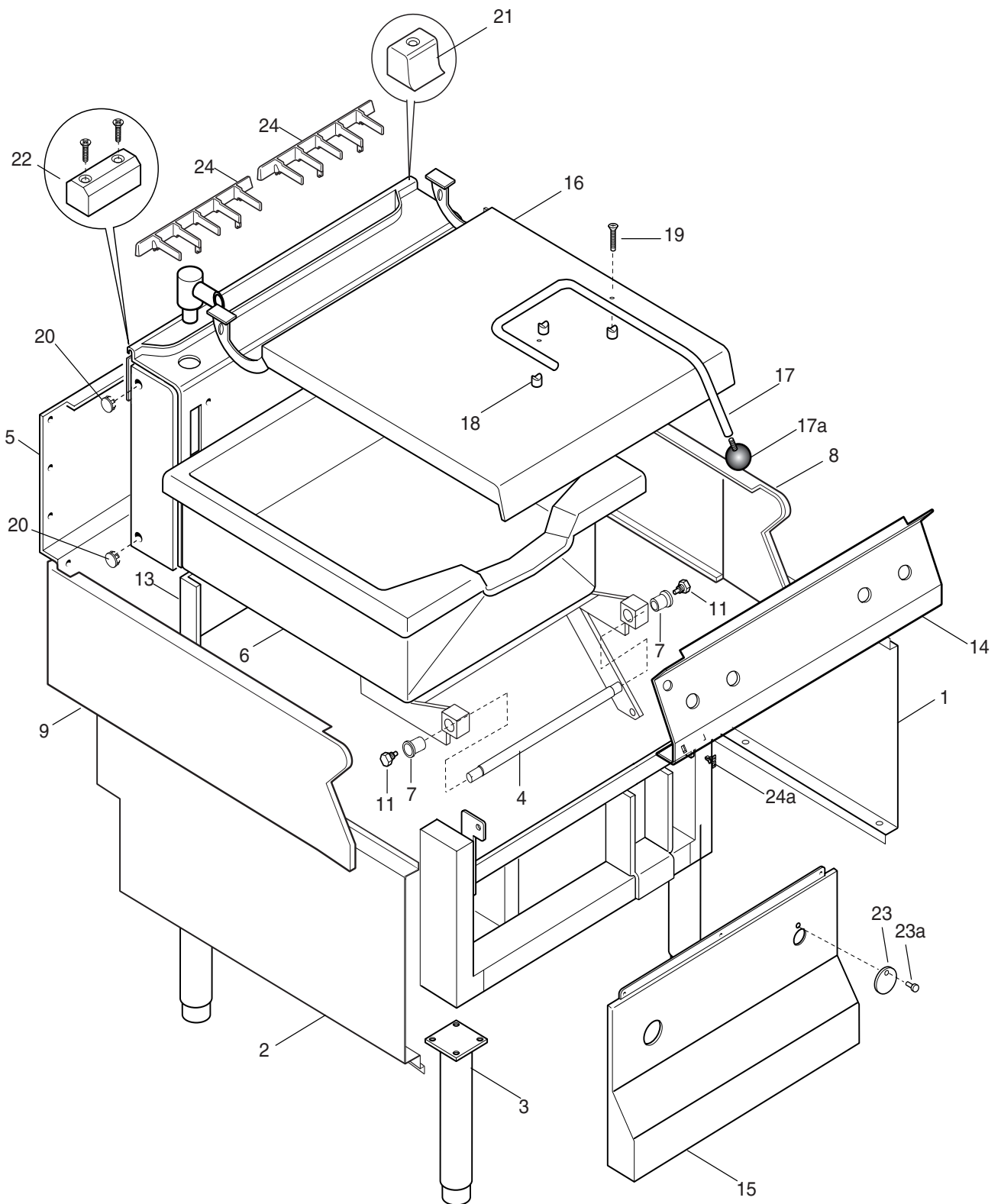
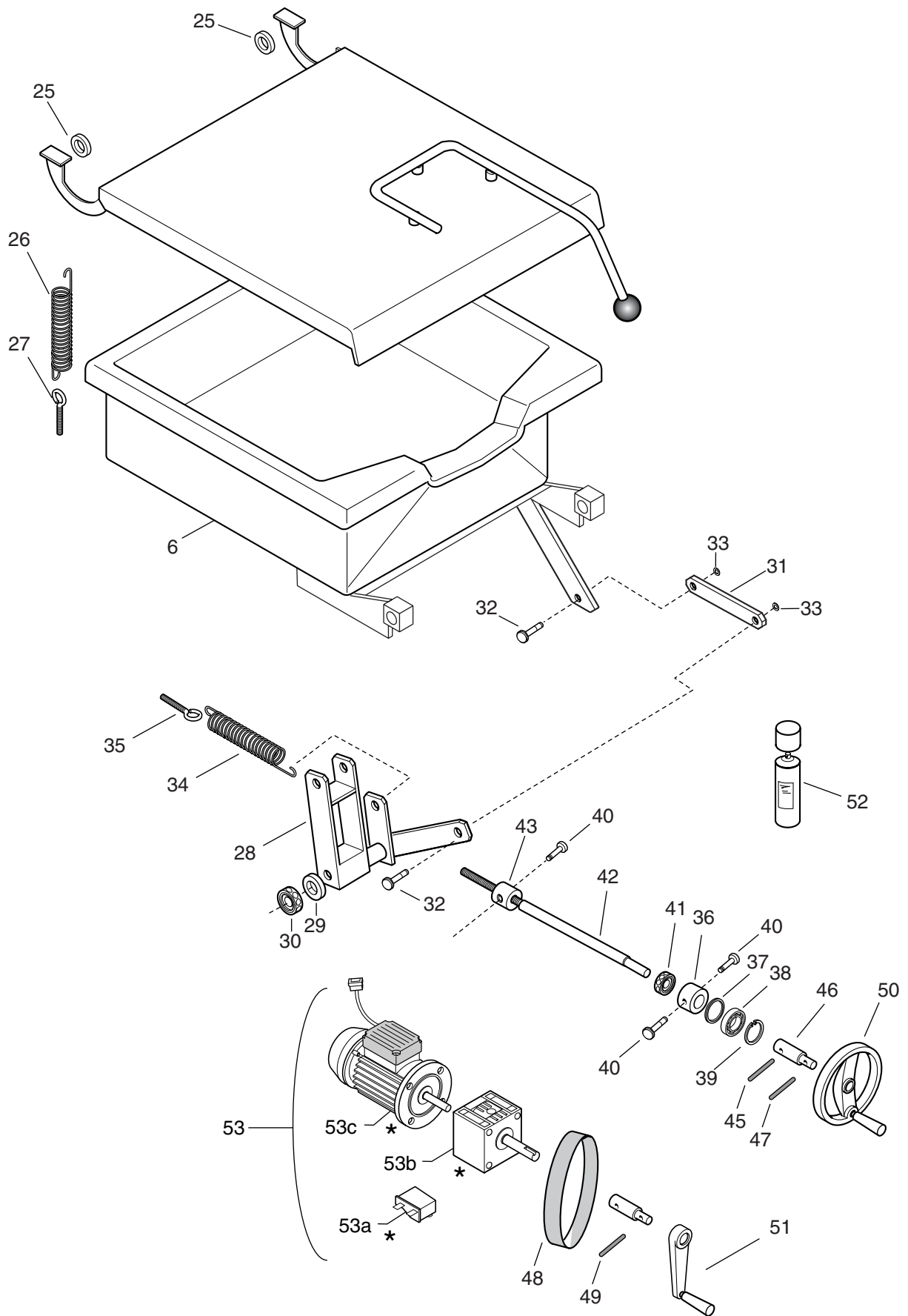


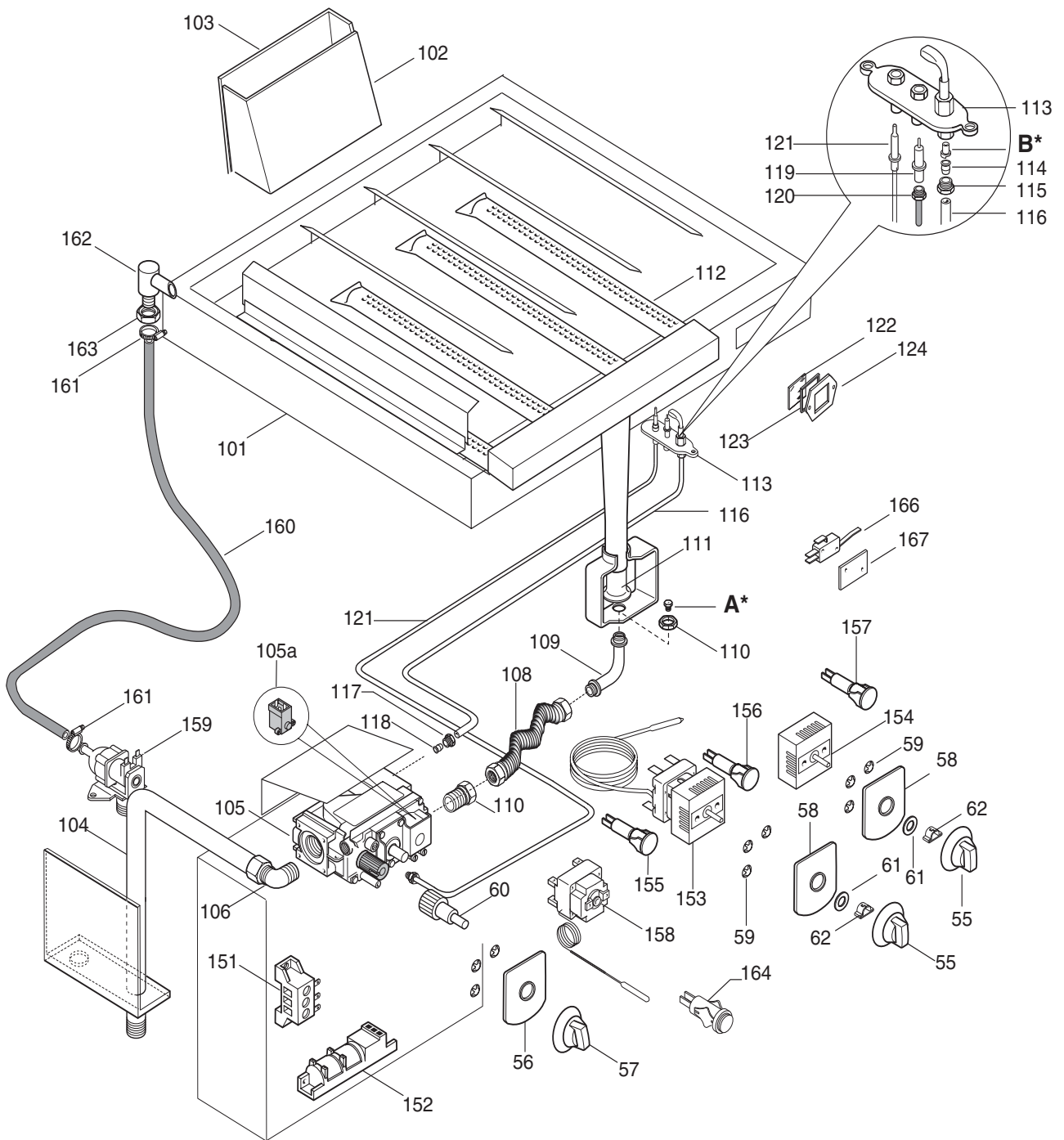
Modular PlatformViale Treviso, 15
33170 Pordenone - Italy
Fax: +39 0434-380577**BRASIERE GAS N900
GAS BRAT PANS N900**

PNC	Model	Ref.	Page	Notes
210 301	QBR/G2F	a	2 - 3 - 4 - 5 - 6 - 7	Brat Pan gas 80L Mild Steel
210 302	QBR/G2C	b	2 - 3 - 4 - 5 - 6 - 7	Brat Pan gas 80L Compound
210 303	QBR/G3F	c	2 - 3 - 4 - 5 - 6 - 7	Brat Pan gas 100L Mild Steel
210304	QBR/G3FH	d	2 - 3 - 4 - 5 - 6 - 7	Brat Pan gas 100L Mild Steel Aut.Tilting
210 305	QBR/G3C	e	2 - 3 - 4 - 5 - 6 - 7	Brat Pan gas 100L Compound
210306	QBR/G3CH	g	2 - 3 - 4 - 5 - 6 - 7	Brat Pan gas 100L Compound Aut.Tilting
210315	QBR/G2FH	h	2 - 3 - 4 - 5 - 6 - 7	Brat Pan gas 80L Mild Steel Aut.Tilting
210316	QBR/G2CH	m	2 - 3 - 4 - 5 - 6 - 7	Brat Pan gas 80L Compound Aut.Tilting

Pag. 2
Pag. 3
Pag. 4
Pag. 5 - 6 - 7**Index**Frame and components
Tilting components
Gas/Electric components
Spare parts list**Indice**Componenti struttura
Componenti sollevamento
Componenti gas/elettrici
Lista ricambi**Brand / Marchio :** Electrolux
Factory code: 7PDN







B*
59215 n° 27 G.N. 59216 n° 14 G.P.L.

A* (Ref. a b)
A5170 ∅ 3,50 G20
02979 ∅ 3,80 G25 DE
59359 ∅ 3,60 G25 NL
A2475 ∅ 2,25 G30/G31
A2301 ∅ 1,95 G30/G31 DE-AT

A* (Ref. a b)
02979 ∅ 3,80 G20
C0703 ∅ 4,20 G25 DE
A2306 ∅ 4,00 G25 NL
59382 ∅ 2,50 G30/G31
59418 ∅ 2,15 G30/G31 DE-AT

BRASIERE GAS N900 / GAS BRAT PANS N900

PNC	Model	Ref.	PNC	Model	Ref.
210301	QBR/G2F	a	210302	QBR/G2C	b
210303	QBR/G3F	c	210304	QBR/G3FH	d
210305	QBR/G3C	e	210306	QBR/G3CH	g
210315	QBR/G2FH	h	210316	QBR/G2CH	m

Pos	CODCTE	6 Dgt Code	Descrizione	Description	Ref. / Notes
			Pagina 1	Page 1	
1	0529873901	0C0642	FIANCO DX BRASIERA N900	PANEL, RIGHT SIDE	
2	0529874001	0C0643	FIANCO SX BRASIERA N900	PANEL, LEFT SIDE	
3	0835860000	0C0467	GAMBA	LEG	
4	0517876800	0C0644	TUBO SUPPORTO VASCA 80L	INGE TUBE, WELL 80lt	a b h m
	0517876900	0C0645	TUBO SUPPORTO VASCA 100L	INGE TUBE, WELL 100lt	c d e g
5	0529841902	0C0469	SCHIENALE 80lt	REAR PANEL 80lt	a b h m
	0529884200	0C0646	SCHIENALE 100lt	REAR PANEL 100lt	c d e g
6	0873836001	0C0647	VASCA 80lt FONDO FERRO	WELL, BRAT PAN 80lt MILD STEEL	a h
	0873836101	0C0648	VASCA 80lt FONDO COMPOUND	WELL, BRAT PAN 80lt COMPOUND	b m
	0873836205	0C0649	VASCA 100lt FONDO FERRO	WELL, BRAT PAN 100lt MILD STEEL	c d
	0873836305	0C0650	VASCA 100lt FONDO COMPOUND	WELL, BRAT PAN 100lt COMPOUND	TB2005-10
					e g
					TB2005-10
7	0517878100	0C0651	BOCCOLA PER RECIPIENTE	BUSH, WELL	
8	0529882500	0C1999	FIANCO DESTRO VASCA	RIGHT SIDE PANEL, WELL	TB2004-15
9	0529882600	0C2000	FIANCO SINISTRO VASCA	LEFT SIDE PANEL, WELL	TB2004-15
11	0217010204	*	VITE FISSAGGIO TUBO SUPPORTO	SCREW, FIX INGE TUBE	
12	0853869801	*	PANNELLO POSTERIORE CAMINO 80lt	REAR PANEL CHIMNEY 80lt	a b h m
	0853870001	*	PANNELLO POSTERIORE CAMINO 100lt	REAR PANEL CHIMNEY 100lt	c d e g
13	0529882700	0C2299	SCHIENALE VASCA 80lt	REAR PANEL, 80lt WELL	a b h m
	0529882800	0C2300	SCHIENALE VASCA 100lt	REAR PANEL, 100lt WELL	c d e g
14	0522887300	0C1988	CRUSCOTTO 80lt	CONTROL PANEL 80lt	a b
	0522887400	0C2289	CRUSCOTTO 80lt SOLLEV. AUTOM.	CONTROL PANEL 80lt AUTOM.TILTING	h m
	0522887500	0C2113	CRUSCOTTO 100lt	CONTROL PANEL 100lt	c e
					till s/n 548..
	0522887502	0C3334	CRUSCOTTO 100lt	CONTROL PANEL 100lt	c e
					since s/n 549..
	0522887600	0C2302	CRUSCOTTO 100lt SOLLEV. AUTOM.	CONTROL PANEL 100lt AUTOM.TILTING	d g
					till s/n 548..
	0522887602	0C3335	CRUSCOTTO 100lt SOLLEV. AUTOM.	CONTROL PANEL 100lt AUTOM.TILTING	d g
					since s/n 549..
15	0529887400	0C2001	PANNELLO ANTERIORE BR 80L	FRONT PANEL	a b h m
	0529887500	0C2118	PANNELLO ANTERIORE BR 100L	FRONT PANEL	c d e g
16	0873850402	0C2102	COPERCHIO 80lt	LID, 80lt	a b h m
	0873850502	0C2164	COPERCHIO 100lt	LID, 100lt	c d e g
17	0853890501	0C2145	MANIGLIA COPERCHIO	HANDLE, LID	
	0548832200	0A5213	IMPUGNATURA MANIGLIA		
18	0517856900	004468	DISTANZIALE x MANIGLIA	SPACER, LID	
19	0217223605	0C0950	VITE x FISSAGGIO MANIGLIA	SCREW, HANDLE	
20	0509801300	0C0676	TAPPO CROMATO	CHROME TAP	
21	0541810600	0C0187	TAPPO POSTERIORE RIPIANO	STOPPER	
22	0516860700	0C0137	PIASTRINA x GIUNZIONE	JOINTING REAR PLATE	
23	0508837201	002534	SPORTELLINO, SOLLEV. AUTOM.	DOOR, AUTOM.TILTING	h m d g
23a	0214473001	026187	PERNETTO FISSAGGIO SPORTELLINO	PIN, DOOR AUTOM. TILTING	h m d g
24	0510821104	0C1986	GRIGLIA CAMINO	GRID FOR CHIMNEY	
24a	0518801801	053342	MOLLA PER MARCHIO		
			Pagina 2	Page 2	
25	0517878200	0C0664	BOCCOLA x COPERCHIO	BUSH, LID	
26	0516865201	0C0666	MOLLA COPERCHIO	SPRING, LID	
27	0A05144900	0A2551	TIRANTE MOLLA 80lt	SCREW, SPRING 80lt	a b h m
	0516875200	0C1640	TIRANTE MOLLA 100lt	SCREW, SPRING 100lt	c d e g
28	0830899500	0C0667	LEVA SOLLEVAMENTO	LEVEL, TILTING	
29	0516864900	*	SUPPORTO CUSCINETTO	SUPPORT, BEARING	
30	0835834700	056820	CUSCINETTO RADIALE	BEARING	
31	0512817701	0C0668	BIELLA	CONNECTING ROD	
32	0516868200	0C0669	PERNO X BIELLA	PIN, ROD	
33	0219001411	0C0670	ANELLO ELASTICO	ELASTIC RING	
34	0516865100	0C0671	MOLLA RECIPIENTE	SPRING, WELL	
35	0A05144900	0A2551	VITE AD OCCHIELLO PER MOLLA	EYED-SCREW, SPRING	
36	0516825500	0C0672	SUPPORTO VITE SOLLEVAMENTO	SUPPORT, SCREW TILTING	a b c e
	0516870800	CODIFIC.	SUPPORTO VITE SOLLEV. AUTOM.	SUPPORT, SCREW AUTOM. TILT.	h m d g
37	0543820900	0C0673	GUARNIZIONE	GASKET	
38	0835834700	056820	CUSCINETTO RADIALE	BEARING	

BRASIERE GAS N900 / GAS BRAT PANS N900

PNC	Model	Ref.	PNC	Model	Ref.
210301	QBR/G2F	a	210302	QBR/G2C	b
210303	QBR/G3F	c	210304	QBR/G3FH	d
210305	QBR/G3C	e	210306	QBR/G3CH	g
210315	QBR/G2FH	h	210316	QBR/G2CH	m

Pos	CODCTE	6 Dgt Code	Descrizione	Description	Ref. / Notes
			Pagina 2	Page 2	
39	0A05166500	0A2592	SEEGER	RING	
40	0214126800	051365	PERNO	PIN	
41	0835834600	056821	CUSCINETTO ASSIALE	BEARING	
42	0516865400	0C0674	VITE SOLLEVAMENTO	SCREW, TILTING	a b c e
	0516870600	0C1641	VITE SOLLEVAMENTO AUTOM.	SCREW, AUTOMATIC TILTING	h m d g
43	0516865301	0C0675	MADREVITE SOLLEVAMENTO	NUT SCREW	
45	0A05214500	0C2170	SPINA ELASTICA	ELASTIC PIN	
46	0514897701	002355	PROLUNGA VOLANTINO	EXTENSION, WHEEL	a b
47	0219702241	006841	SPINA	PIN	
48	0547800100	002148	CINGHIA MOTORE	BELT, MOTOR	h m
49	0516871100	0C1438	PROLUNGA VOLANTINO AUTOM.	EXTENSION, WHEEL AUTOM. TILTING	h m
50	0835829000	0A5164	VOLANTINO	HAND-WHEEL	
51	0835832200	002276	MANOVELLA SOLLEVAMENTO	CRANK	
52	0167098086	003363	LUBRIFICANTE x MOLLE	LUBRICANT, SPRING	
53	0830807501	002793	MOTORIDUTTORE	MOTOREDUCER	h m
53a	0694801400	002796	CONDENSATORE DI SPUNTO	START CAPACITOR	h m
53b	0680800800	002795	RIDUTTORE DI VELOCITA'	SPEED REDUCER	h m
53c	0611804300	002794	MOTORE	MOTOR	h m
			Pagina 3	Page 3	
55	0548859900	0C2015	MANOPOLA SIMMOSTATO	SIMMERING KNOB	
55	0548860800	0C2011	MANOPOLA TERMOSTATO	THERMOSTAT KNOB	
56	0548858000	0C2007	GHIERA VALVOLA		
57	05488861100	0C2124	MANOPOLA ACCENDITORE		
58	0548862701	0C2017	GHIERA	RING, KNOB	
59	0218912211	069567	ANELLO DI FISSAGGIO	RING CONNECTION	
60	0548852200	004667	PROLUNGA	EXTENSION	
61	0214590701	025245	MOLLETTA X MANOPOLA	SPRING	
62	0543821000	053816	GUARNIZIONE X MANOPOLA	GASKET	
101	0524890201	0C0693	CAMERA COMBUSTIONE	COMBUSTION CHAMBER	a b h m
101	0524890301	0C0694	CAMERA COMBUSTIONE	COMBUSTION CHAMBER	c d e g
102	0524890401	0C0695	ANTERIORE CAMINO BR/G 80L N900	CHIMNEY, FRONT	
102	0524890501	0C0696	ANTERIORE CAMINO BR/G 100L N900	CHIMNEY, FRONT	a b h m
103	0524890600	0C0697	POSTERIORE CAMINO BR/G 80L N900	CHIMNEY, REAR	c d e g
103	0524890700	0C0698	POSTERIORE CAMINO BR/G 100L N900	CHIMNEY, REAR	
104	0806825900	0C0699	NBR ASSIEME RIBALTA BR/G	MANIFOLD	
105	0835819901	002903	VALVOLA GAS; SIT 820 NOVA	GAS VALVE; SIT 820 NOVA	
105a	-	0K3020	BOBINA VALVOLA SIT 220/240V 50HZ	COIL GAS VALVE SIT 220/240V 50HZ	
106	0214162000	0C0121	RACCORDO	PIPE FITTING	a b h m
107	0830873200	002074	RACCORDO	PIPE FITTING	c d e g
	0830866100	0A5398	RACCORDO		
108	0806825300	0C0704	N 900 CP CONDUETT.FLESSIBILE L=300MM	PIPE, GAS, FLEXIBLE	
109	0511805801	059375	PORTAUGELLO	NOZZLE	
110	0214105101	020997	CONTRODADO	LOCK NUT	
111	0215088500	052207	BOCCOLA	BUSH	
112	0831802101	0C0700	BRUCIATORE BR/G 80L	BURNER	a b h m
112	0831802200	0C0701	BRUCIATORE BR/G 100L	BURNER	c d e g
113	0830884101	005503	BRUCIATORE PILOTA	PILOT BURNER	
114	0517808700	059161	BICONO	DOUBLE CONE	
115	0214164400	052125	RACCORDO	PIPE FITTING	
116	0517882100	0C0702	CONDUETTURA PILOTA BR/G N900	PIPE, PILOT	
117	0214164400	052125	RACCORDO	PIPE FITTING	
118	0215199700	052127	BICONO	DOUBLE CONE	
119	0830863300	059380	ELETTRODO; ACCENSIONE	ELECTRODE	
120	0214164101	057960	RACCORDO	PIPE FITTING	
121	0830852201	025031	TERMOCOPPIA; M9*1 L 600	THERMOCOUPLE; ALL.600M9*1	

BRASIERE GAS N900 / GAS BRAT PANS N900

PNC	Model	Ref.	PNC	Model	Ref.
210 301	QBR/G2F	a	210 302	QBR/G2C	b
210 303	QBR/G3F	c	210 304	QBR/G3FH	d
210 305	QBR/G3C	e	210 306	QBR/G3CH	g
210 315	QBR/G2FH	h	210 316	QBR/G2CH	m

Pos	CODCTE	6 Dgt Code	Descrizione	Description	Ref. / Notes
			Pagina 3	Page 3	
122	0275290025	057400	VETRINO SPIA	INSPECTION GLASS	
123	0282217401	057402	GUARNIZIONE	GASKET	
124	0206260400	057382	CORNICE	FRAME	
151	0639804900	046357	MORSETTIERA	TERMINAL BOARD	
152	0624804700	004240	ACCENDITORE	IGNITER	
153	0646805801	002109	INTERRUTTORE CON TERMOSTATO	SWITCH WITH THERMOSTAT	
154	0699802200	0C1605	REGOLATORE DI ENERGIA	ENERGY REGULATOR	
155	0876800002	005010	LAMPADA SPIA VERDE	PILOT LAMP; GREEN	
156	0876800102	005011	LAMPADA SPIA GIALLA	PILOT LAMP; YELLOW	
157	0876800201	0C0687	ASSIEME LAMPADA ROSSA TONDA	PILOT LAMP; RED	
158	0646812701	0C0270	TERMOSTATO	THERMOSTAT	
159	0696804600	0C0688	EL.VALVOLA 10L/M 240V CON FLANGIA	MAGNETIC VALVE	
160	0140068006	055445	TUBO GOMMA TELATO 11X18 MM	HOSE	
162	0835823600	007019	FASCETTA	HOSE CLAMP	
162	0831824900	0C2131	GETTO EROGATORE BRASIERA	TAP	
163	0516812500	0C0690	CONTRODADO OTTONE DA 3/8"	NUT	
164	0640804300	0C2129	PULSANTE	PUSH BUTTON	
165	0548801500	053979	PROTEZIONE	PROTECTION	
166	0640800800	053671	MICRO		
167	0246214023	045404	PIASTRINA		
A*	0514887800	0A5170	UGELLO	NOZZLE	G20 abhm
A*	0516815100	002979	UGELLO	NOZZLE	G25DE abhm
A*	0A05659600	059359	UGELLO GAS; DIA. 3,60	NOZZLE	G25 NL abhm
A*	0A05659400	0A2475	UGELLO	NOZZLE	G30/G31 abhm
A*	0A05178000	0A2301	UGELLO GAS; DIA. 1,95	NOZZLE	G30/G31DE-AT abhm
A*	0516815100	002979	UGELLO	NOZZLE	G20 cdeg
A*	0A05257200	0C0703	UGELLO DIAM 4,2	NOZZLE	G25DE cdeg
A*	0A05257100	0A2306	UGELLO	NOZZLE	G25 NL cdeg
A*	0A05659500	059382	UGELLO GAS; DIA. 2,50	NOZZLE	G30/G31 cdeg
A*	0A05661900	059418	UGELLO	NOZZLE	G30/G31DE-AT cdeg
B*	0514886400	059215	UGELLO PILOTA; GN 27	NOZZLE; GN 27 PILOT	G20
B*	0514878900	059216	UGELLO PILOTA; GPL 14	NOZZLE; GPL 14 PILOT	G30/G31