

**Modular Platform**

Viale Treviso, 15  
33170 Pordenone - Italy  
Fax: +390434-380577

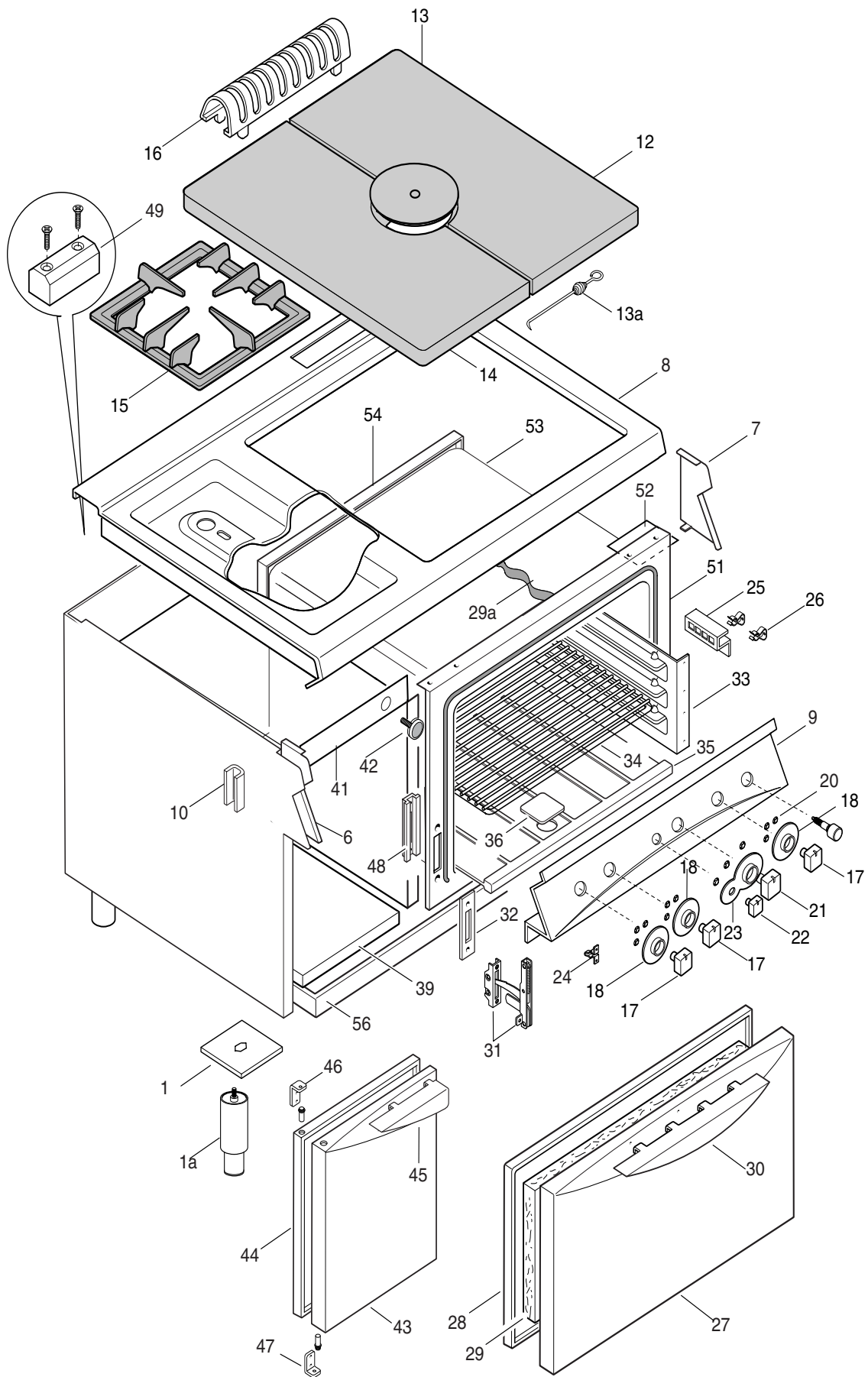
**TUTTAPIASTRA GAS N700  
GAS SOLID TOP N700**

Code	Type	Ref.	Pag.	Notes
178 081	PTV/G2	a	1-9	Gas Solid Top+Open Base 800 MM
178 082	PTF/G2	b	1-9	Gas Solid Top + Oven 800 MM
178 083	PSF/G2	c	1-9	Gas Solid Top+2Burners+Oven 800MM
178 084	PSV/G2	d	1-9	Gas Solid Top+2Burners+Open Base 800MM
178 085	PSV/G3	e	1-9	Gas Solid Top+2Burners+Oven+Open Base1200MM
178 201	PTV/G2N	f	1-9	Gas Solid Top+Open Base 800 MM - NL

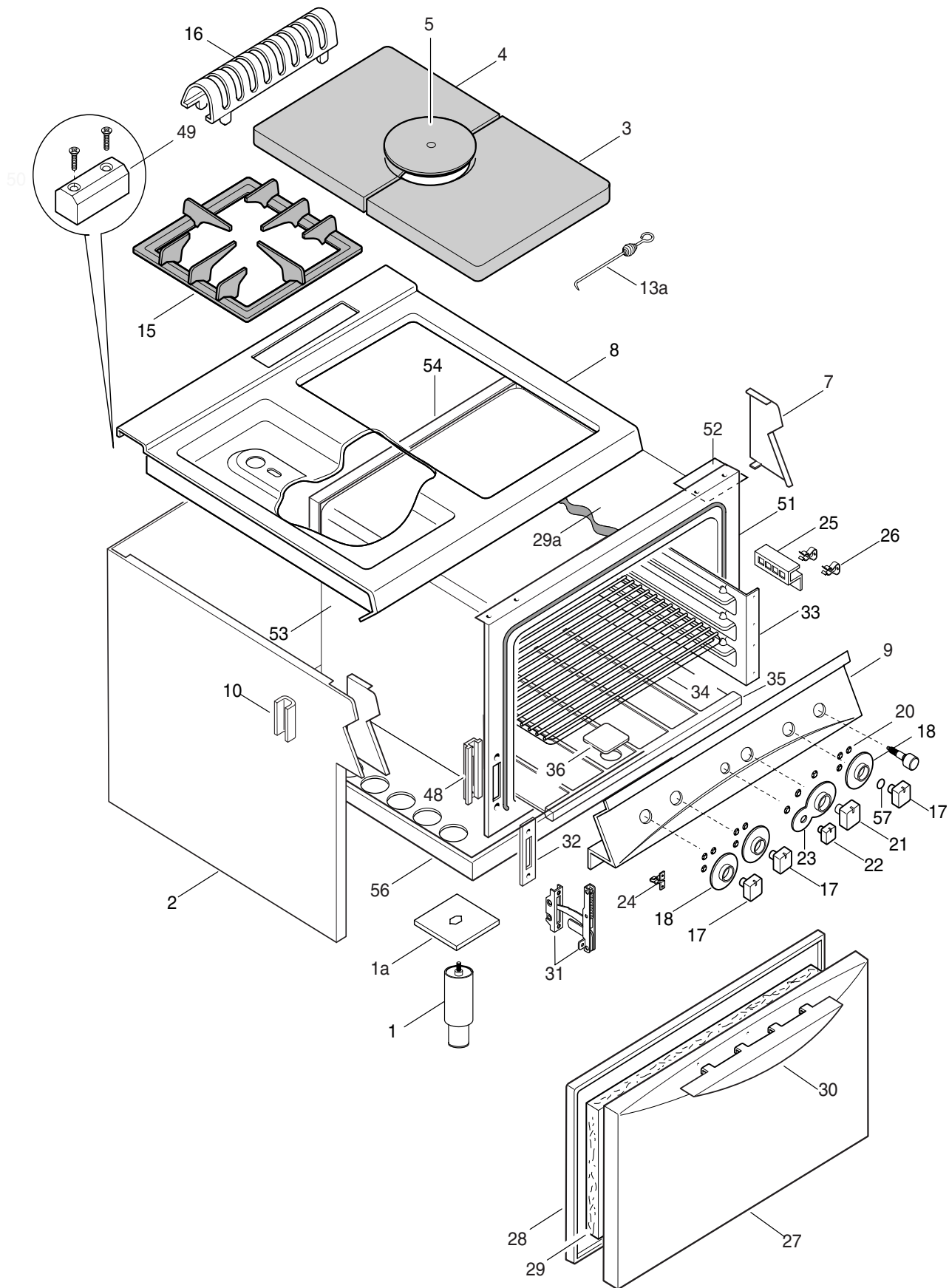
Pag.	Indice
1- 2	Mobile e componenti
3	Impianto gas
4- 9	Lista ricambi

Index
Structure and components
Gas components
Spare parts list

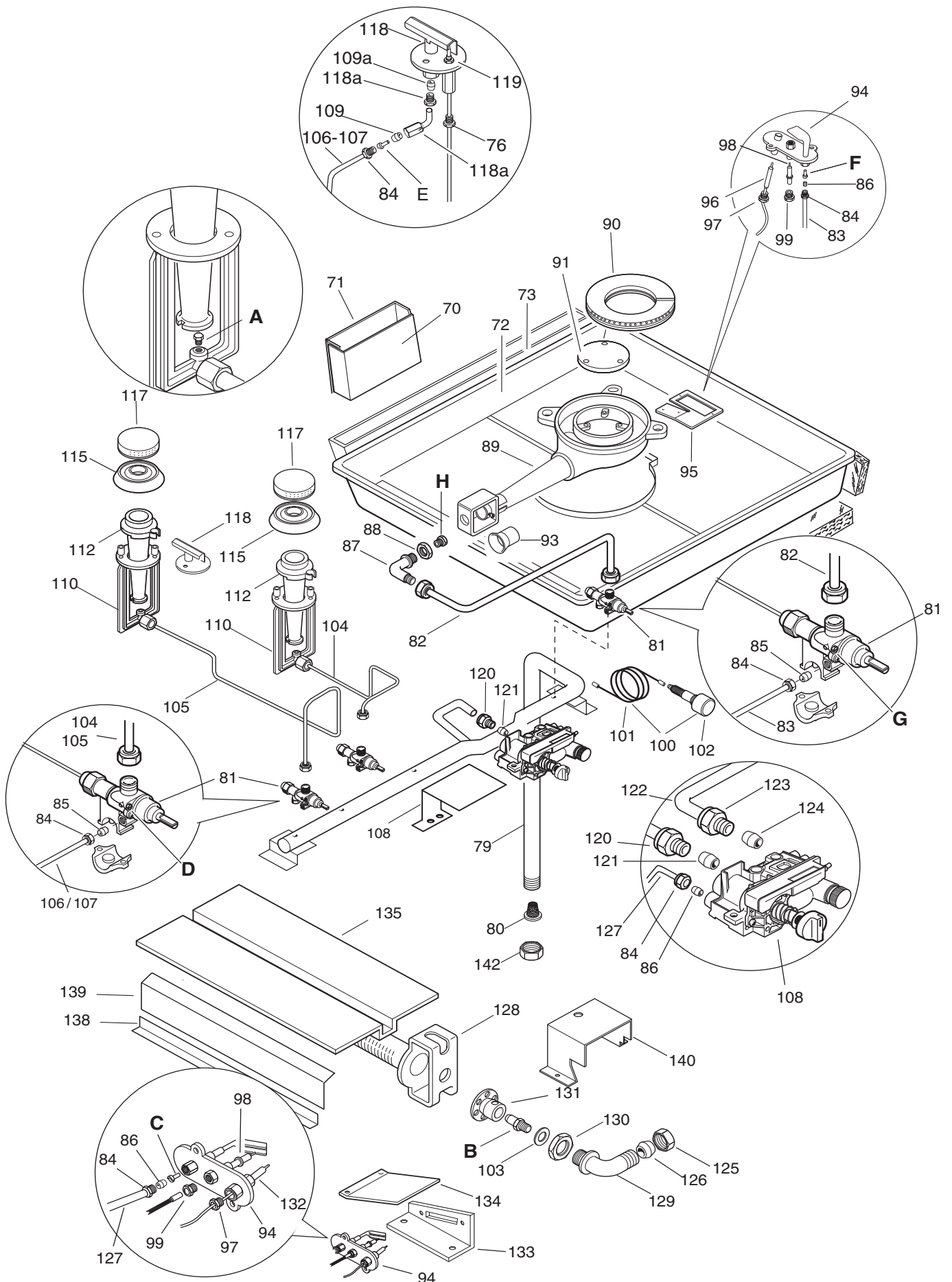
**Marchio / Brand:** Zanussi  
**Factory code:** 9PDX



**TUTTAPIASTRA GAS N700  
GAS SOLID TOP N700**



TUTTAPIASTRA GAS N700  
GAS SOLID TOP N700



<b>A - Ugello bruciatore / Burner nozzle ø60</b>			
<b>6DGT Code</b>	<b>Ref. / Notes</b>		
0C2809	ø1.85	2H/2E+	G20 20mbar
0C2808	ø1.75	2H	G20 25mbar
0C2806	ø1.85/2.10	2ELL	G25 20mbar
0C2805	ø1.75/2.10	2L	G25 25mbar
059314	ø1.15	3+3B/P	G30 30mbar
0A2076	ø1.10	3B/P	G30 36mbar
0C2807	ø1.10	3B/P	G30 50mbar
0C2805	ø1.75/2.10	2S	G25.1 25mbar
0A2475	ø2.25	No CE	G20 10mbar
0A5170	ø3.50	1a	G110
059627	ø3.30	1b	G120

<b>D - Vite di minimo / Min screw ø60</b>			
<b>6DGT Code</b>	<b>Ref./ Notes</b>		
002899	n°80	2H/2E+	G20 20mbar
002899	n°80	2H	G20 25mbar
002899	n°80	2ELL	G25 20mbar
002899	n°80	2L	G25 25mbar
002911	n°55	3+3B/P	G30 30mbar
002911	n°55	3B/P	G30 36mbar
002925	n°50	3B/P	G30 50mbar
002899	n°80	2S	G25.1 25mbar
002899	n°80	No CE	G20 10mbar
-	adj	1a	G110
-	adj	1b	G120

<b>E - Pilota fuochi / Pilot nozzle open burner</b>			
<b>6DGT Code</b>	<b>Ref./ Notes</b>		
053670	n°41	2H/2E+	G20 20mbar
053670	n°41	2H	G20 25mbar
053670	n°41	2ELL	G25 20mbar
053670	n°41	2L	G25 25mbar
054593	n°25	3+3B/P	G30 30mbar
054593	n°25	3B/P	G30 36mbar
054593	n°25	3B/P	G30 50mbar
053670	n°41	2S	G25 25mbar
053670	n°41	No CE	G20 10mbar
053669	n°75	1a	G110
053669	n°75	1b	G120

B - Ugello FORNO / Burner nozzle OVEN	
6DGT Code	Ref. / Notes
0C0509	ø1.85 2H/2E+ G20 20mbar
003723	ø1.75 2H G20 25mbar
056147	ø2.10 2ELL G25 20mbar
0C2811	ø2 2L G25 25mbar
059804	ø1.25 3+3B/P G30 30mbar
0C2810	ø1.20 3B/P G30 36mbar
054082	ø1.10 3B/P G30 50mbar
0C2811	ø2 2S G25.1 25mbar
056147	ø2.10 No CE G20 10mbar
055133	ø3.80 1a G 110
054128	ø3.40 1b G 120

C - Ugello pilota FORNO / Pilot nozzle OVEN	
6DGT Code	Ref. / Notes
059215	n°27 2H/2E+ G20 20mbar
059215	n°27 2H G20 25mbar
059215	n°27 2ELL G25 20mbar
059215	n°27 2L G25 25mbar
059216	n°14 3+3B/P G30 30mbar
059216	n°14 3B/P G30 36mbar
059216	n°14 3B/P G30 50mbar
059215	n°27 2S G25.1 25mbar
059215	n°27 No CE G20 10mbar
059356	n°50 1a G 110
059356	n°50 1b G 120

H - Ugello TuttaPiastra / Burner nozzle SolidTop 400 mm	
6DGT Code	Ref. / Notes
0A2082	ø1.40 2H/2E+ G20 20mbar
002393	ø1.30 2H G20 25mbar
0A2103	ø1.55 2ELL G25 20mbar
0A2091	ø1.45 2L G25 25mbar
0A2091	ø1.45 2S G25.1 25mbar
0A2088	ø0.95 3+3B/P G30 30mbar
003397	ø0.90 3B/P G30 36mbar
059357	ø0.85 3B/P G30 50mbar
059336	ø1.70 No CE G20 10mbar
059383	ø2.80 No CE G 110

H - Ugello TuttaPiastra / Burner nozzle SolidTop 800 mm	
6DGT Code	Ref. / Notes
0A2301	ø1.95 2H/2E+ G20 20mbar
0A2077	ø1.85 2H G20 25mbar
0A2083	ø2.20 2ELL G25 20mbar
0A2105	ø2.10 2L G25 25mbar
0A2105	ø2.10 2S G25.1 25mbar
0A2533	ø1.35 3+3B/P G30 30mbar
0A2101	ø1.25 3B/P G30 36mbar
059314	ø1.15 3B/P G30 50mbar
0A5356	ø2.35 No CE G20 10mbar
0C0703	ø4.20 No CE G 110

F - Pilota TuttaPiastra / Pilot nozzle SolidTop 400 mm	
6DGT Code	Ref. / Notes
059215	n°27 2H/2E+ G20 20mbar
059215	n°27 2H G20 25mbar
059215	n°27 2ELL G25 20mbar
059215	n°27 2L G25 25mbar
059215	n°27 2S G25.1 25mbar
059216	n°14 3+3B/P G30 30mbar
059216	n°14 3B/P G30 36mbar
059216	n°14 3B/P G30 50mbar
059215	n°27 No CE G20 10mbar
059381	n°75 No CE G 110

F - Pilota TuttaPiastra / Pilot nozzle SolidTop 800 mm	
6DGT Code	Ref. / Notes
059215	n°27 2H/2E+ G20 20mbar
059215	n°27 2H G20 25mbar
059215	n°27 2ELL G25 20mbar
059215	n°27 2L G25 25mbar
059216	n°27 2S G25.1 25mbar
059216	n°14 3+3B/P G30 30mbar
059216	n°14 3B/P G30 36mbar
059216	n°14 3B/P G30 50mbar
059215	n°27 No CE G20 10mbar
059381	n°75 No CE G 110

G - Vite di minimo T.P. / Min screw SolidTop 400 mm	
6DGT Code	Ref. / Notes
002902	n°105 2H/2E+ G20 20mbar
002902	n°105 2H G20 25mbar
002902	n°105 2ELL G25 20mbar
002902	n°105 2L G25 25mbar
002902	n°105 2S G25.1 25mbar
002908	n°70 3+3B/P G30 30mbar
002908	n°70 3B/P G30 36mbar
002904	n°60 3B/P G30 50mbar
002902	n°105 No CE G20 10mbar
-	adjust No CE G 110

G - Vite di minimo T.P. / Min screw SolidTop 800 mm	
6DGT Code	Ref. / Notes
0C1326	n°120 2H/2E+ G20 20mbar
0C1326	n°120 2H G20 25mbar
0C1326	n°120 2ELL G25 20mbar
0C1326	n°120 2L G25 25mbar
0C1326	n°120 2S G25.1 25mbar
002899	n°80 3+3B/P G30 30mbar
002899	n°80 3B/P G30 36mbar
002908	n°70 3B/P G30 50mbar
0C1326	n°120 No CE G20 10mbar
-	adjust No CE G 110

**TUTTAPIASTRA GAS N700  
GAS SOLID TOP N700**

Code	Type	Ref.	Code	Type	Ref.
178081	PTV/G2	a	178084	PSV/G2	d
178082	PTF/G2	b	178085	PSF/G3	e
178083	PSF/G2	c	178201	PTV/G2N	f

Pos	Factory Code	6 Dgt Code	Descrizione	Description	Ref. / Notes
			<b>Pagina 1-2</b>	<b>Page 1-2</b>	
1	0835856900	0C0204	PIEDE	FOOT	
1a	0508898900	0C0122	PIASTRA DI RINFORZO PER PIEDE	PLATE FOR FOOT	
2	0522882400	*	RIVESTIMENTO LATERALE 800 MM	EXTERNAL PANEL 800 MM	a b c d f
	0522889800	*	RIVESTIMENTO LATERALE 1200 MM	EXTERNAL PANEL 1200 MM	e
3	0510814800	002529	SEMPIASTRA ANTERIORE	FRONT HALF PLATE CAST IRON	c d
4	0510814901	002530	SEMPIASTRA POSTERIORE	REAR HALF PLATE CAST IRON	c d
5	0510815000	002531	TAMPONE	DISK, PLATE	c d
6	0527836102	0C0155	RINFORZO SINISTRO MONOBLOCCO	LEFT SIDE PANEL STIFFENING FR.ST.	
7	0527836002	0C0154	RINFORZO DESTRO MONOBLOCCO	RIGHT SIDE PANEL STIFFENING FR.ST.	
8	0873856500	0C2636	RIPIANO TUTTAPIASTRA 800mm	WORKTOP SOLIDTOP 800mm	a b f
	0873856700	0C2637	RIPIANO SIMPLE SERVICE 1200MM	WORKTOP SIMPLE SERVICE 1200MM	e
	0873856900	0C2638	RIPIANO SIMPLE SERVICE 800MM	WORKTOP SIMPLE SERVICE 800MM	c d
9	0853864701	0C0784	CRUSCOTTO TUTTAPIASTRA	CONTROL PANEL SOLID TOP	a f
	0853864801	0C0785	CRUSCOTTO TUTTAP. su FORNO	CONTROL PANEL SOLID TOP on OVEN	b
	0853864901	0C0786	CRUSCOTTO SIMPLE SERVICE	CONTROL PANEL SIMPLE SERVICE	e
	0853883200	0C2981	CRUSCOTTO 800 MM	CONTROL PANEL 800 MM	c
	0853898300	0C2749	CRUSCOTTO SIMPLE SERVICE 800MM	CONTROL PANEL SIMPLE SERVICE 800MM	d
10	0527850500	0C0156	PIASTRA FISSAGGIO FIANCHI	SIDE PANEL JOINTING PLATE	
12	0510805101	054823	PIASTRA RADIANTE DESTRA	RIGHT PLATE CAST IRON	a b e f
13	0210026714	050803	DISCO RADIANTE	DISK, PLATE	a b e f
13a	0330294200	001158	GANCIO SOLLEVADISCO	RINGS HOOK	
14	0510805201	054824	PIASTRA RADIANTE SINISTRA	LEFT PLATE CAST IRON	a b e f
15	0511821400	0C2526	GRIGLIA FUOCHI	GRID OPEN BURNER	c d e
16	0523847400	004998	<b>GRIGLIA CAMINO</b>	<b>GRATE FOR CHIMNEY</b>	a
	0523847600	005001	<b>GRIGLIA CAMINO</b>	<b>GRATE FOR CHIMNEY</b>	till s/n 723
	0522898300	0C2661	<b>GRIGLIA CAMINO</b>	<b>GRATE FOR CHIMNEY</b>	b
	0522898200	0C2527	<b>GRIGLIA CAMINO</b>	<b>GRATE FOR CHIMNEY</b>	till s/n 723
	0522898200	0C2527	<b>GRIGLIA CAMINO</b>	<b>GRATE FOR CHIMNEY</b>	c d
	0522898300	0C2661	<b>GRIGLIA CAMINO</b>	<b>GRATE FOR CHIMNEY</b>	till s/n 723
	0522898200	0C2527	<b>GRIGLIA CAMINO</b>	<b>GRATE FOR CHIMNEY</b>	a b c d
	0522898300	0C2661	<b>GRIGLIA CAMINO</b>	<b>GRATE FOR CHIMNEY</b>	from s/n 723
	0522898200	0C2527	<b>GRIGLIA CAMINO</b>	<b>GRATE FOR CHIMNEY</b>	e f
	0522898300	0C2661	<b>GRIGLIA CAMINO</b>	<b>GRATE FOR CHIMNEY</b>	till s/n 723
	0522898200	0C2527	<b>GRIGLIA CAMINO</b>	<b>GRATE FOR CHIMNEY</b>	e
	0522898300	0C2661	<b>GRIGLIA CAMINO</b>	<b>GRATE FOR CHIMNEY</b>	from s/n 723
17	0548856901	0C0191	MANOPOLA PER RUBINETTO GAS	KNOB, GAS COCK	
18	0548857401	0C0192	GHIERA FUOCO ANTERIORE	RING KNOB, FRONT BURNER	
19	0548858401	0C0193	GHIERA FUOCO POSTERIORE	RING KNOB, REAR BURNER	
20	0218912211	069567	MOLLETTA PER GHIERA	RING, RING KNOB	
21	0548856500	0C0189	MANOPOLA PER THERMOST. VALVOLA	KNOB, GAS VALVE THERMOSTAT	b c d e
22	0548856600	0C0190	MANOPOLA PER ACCENDITORE VALV.	KNOB. GAS VALVE IGNITER	b c d e
23	0548865400	0C0194	GHIERA PER VALVOLA FORNO	KNOB RING. GAS VALVE OVEN	b c d e
24	0518801801	053342	MOLLA PER MARCHIO	SPRING, BRAND	
25	0507859001	059219	GRIGLIA PROTEZIONE BULBO	GRILL, PROTECTION PROBE	b c d e
26	0214584201	066823	MOLLA PER BULBO	SPRING, BULB	b c d e
27	0529836900	0C0178	PORTA FORNO	DOOR, OVEN	b c d e
28	0522882800	0C2694	CONTROPORTA	INNER DOOR OVEN	b c d e

**TUTTAPIASTRA GAS N700  
GAS SOLID TOP N700**

Code	Type	Ref.	Notes	Code	Type	Ref.	Notes
178 081	PTV/G2	a		178 084	PSV/G2	d	
178 082	PTF/G2	b		178 085	PSF/G3	e	
178 083	PSF/G2	c		178 201	PTV/G2N	f	

Pos	Factory Code	6 Dgt Code	Descrizione	Description	Ref. / Notes
			<b>Pagina 1-2</b>	<b>Page 1-2</b>	
29	0560839601	0C0197	ISOLAMENTO PORTA FORNO	INSULATION, OVEN DOOR	b c d e
29a	0560802101	0C2305	ISOLAMENTO CIELO FORNO	INSULATION, OVEN TOP	b c d e
30	0806823701	0C0200	MANIGLIA FORNO	HANDLE, OVEN DOOR	b c d e
31	0835848100	0C0203	CERNIERA PORTA FORNO	HINGE, OVEN DOOR	b c d e
32	0205075423	052725	COPRICERNIERA	HINGE COVER	b c d e
33	0533814000	0C2700	GUIDA PER GRIGLIA FORNO	GRATE LEADING	b c d e
34	0330260842	025020	GRIGLIA FORNO	GRID; OVEN	b c d e
35	0500847401	054114	SUOLA	SOLE	b c d e
36	0315280702	050761	COPERTURA FORO PILOTA	COVERING, PILOT	b c d e
39	0522891100	*	FONDO VANO 1200 MM	BOTTOM CUPBOARD 1200 MM	e
41	0522891200	*	CELLA VANO	CELL CUPBOARD	e
42	0830898200	0C0201	MAGNETE PORTA	MAGNET, DOOR	e
43	0529837300	0C0179	PORTA SINISTRA	LEFT DOOR, CUPBOARD	e
44	0529836800	0C0177	CONTROPORTA	INNER DOOR	e
45	0529837800	0C0180	MANIGLIA PORTA SINISTRA	HANDLE, LEFT DOOR	e
46	0516860801	0C0138	CERNIERA INFERIORE DESTRA	BOTTOM HINGE, RIGHT	e
47	0516860901	0C0139	CERNIERA SUPERIORE DESTRA	TOP HINGE, RIGHT	e
48	0529835402	0C0165	SUPPORTO CERNIERA FORNO	SUPPORT FOR HINGE, DOOR OVEN	b c d e
50	0516860700	0C0137	PIASTRA GIUNZIONE APPARECC.	JOINTING REAR PLATE	
51	0870838206	0C0218	FACCIATA FORNO 800mm	FRONT OVEN 800mm	b c d
	0870838306	0C0219	FACCIATA FORNO 1200mm	FRONT OVEN 1200mm	e
52	0529850500	0C0182	PIASTRINA FACCIATA FIANCO	PLATE FRONT OVEN	b c d e
53	0522882600	*	INVOLUCRO FORNO	GAS OVEN SHELL	b c d e
54	0522882700	*	SCHIENALE FORNO GAS	REAR SIDE PANEL OVEN	b c d e
56	0800835100	*	FONDO VANO	BORROM PANEL TOP 800mm	e
	0522882200	*	FONDO MONOBLOCCO 800mm	BOTTOM PANEL FREEST. 800mm	b c d e
	0522890000	*	FONDO MONOBLOCCO 1200mm	BOTTOM PANEL FREEST. 1200mm	e
57	0543815000	059293	GUARNIZIONE OR	GASKET OR	

**TUTTAPIASTRA GAS N700  
GAS SOLID TOP N700**

Code	Type	Ref.	Notes	Code	Type	Ref.	Notes
178 081	PTV/G2	a		178 084	PSV/G2	d	
178 082	PTF/G2	b		178 085	PSF/G3	e	
178 083	PSF/G2	c		178 201	PTV/G2N	f	

Pos	Factory Code	6 Dgt Code	Descrizione	Description	Ref. / Notes
			<b>Pagina 3</b>	<b>Page 3</b>	
70	0533825301	*	ANTERIORE CAMINO FORNO	FRONT CHIMNEY OVEN	b c e
71	0533825400	*	POSTERIORE CAMINO FORNO	REAR CHIMNEY OVEN	b c e
	0533828100	*	CAMINO TUTTA PIASTRA	CHIMNEY SOLID TOP	a b e
72	0533828000	*	CAMERA COMBUSTIONE	COMBUSTION CHAMBER	a d e f
	0533828500	*	CAMERA COMBUSTIONE	COMBUSTION CHAMBER	c d
73	0533828201	*	ANTERIORE CAMINO	FRONT PANEL CHIMNEY	a b e
74	<b>0560855800</b>	*	<b>ISOLAMENTO TUTTAPIASTRA</b>	<b>INSULATION SOLID TOP</b>	<b>a b e</b>
79	0853898500	0C2975	RIBALTA TUTTAPIASTRA	MANIFOLD SOLID	a f
	0853864402	0C0793	RIBALTA TUTTAPIASTRA SU FORNO	MANIFOLD SOLIDTOP on OVEN	b
	0853864502	0C0794	RIBALTA SIMPLESERVICE SU FORNO	MANIFOLD SIMPLE SERVICE ON OVEN	e
	0853898200	0C2976	RIBALTA TUTTAPIASTRA SU VANO	MANIFOLD SOLID TOP ON CUPBOARD	d
	0853883400	0C2977	RIBALTA TUTTAPIASTRA SIMPLE SERVICE	MANIFOLD SOLID TOP SIMPLE SERVICE	c
80	0516863900	0C0140	FILTRO	FILTER	b c
81	0835857201	0C0205	RUBINETTO GAS	GAS TAP	
82	0853898400	0C2978	CONDUTTURA GAS BRUCIATORE	GAS PIPE, BURNER	a b e f
	0853895100	0C2979	CONDUTTURA GAS SIMPLE SERVICE	GAS PIPE, SIMPLE SERVICE	c d
83	0517898600	0C3633	CONDUTTURA PILOTA	GAS PIPE, PILOT	a b e f
	0517898700	0C3639	CONDUTTURA PILOTA 1200MM	GAS PIPE, PILOT 1200MM	c d
84	0214164400	052125	RACCORDO PILOTA	PIPE FITTING PILOT PIPE	
84a	<b>0516887500</b>	<b>0C3646</b>	<b>RACCORDO</b>	<b>CONNECTION</b>	since s/n 646 see TB PD2006-03
85	0215199700	052127	BICONO RUBINETTO	DOUBLE CONE, GAS TAP	
86	0517808700	059161	BICONO PILOTA	DOUBLE CONE, PILOT	
87	0511805801	059375	PORTAUGELLO	INJECTOR HOLDER	
88	0214105101	020997	CONTRODADO PORTAUGELLO	LOCK NUT, INJECTOR HOLDER	
89	0510817900	004279	BRUCIATORE	BURNER	a b e f
90	0510818001	004280	SPARTIFIAMMA	FLAME SPREADER	a b e f
91	0506841000	054536	DISCO PER BRUCIATORE	DISK, BURNER	b e
93	0206993401	052116	BOCCOLA	BUSH	a b e f
94	0830884101	005503	PILOTA	PILOT BURNER	
95	0508873402	*	SUPPORTO PILOTA	HOLDER PILOT	
96	0831800500	0C0202	TERMOCOPPIA	THERMOCOUPLE	
	0830853101	005119	TERMOCOPPIA	THERMOCOUPLE	
97	0214162000	0C0121	RACCORDO TERMOCOPPIA	PIPE FITTING, THERMOCOUPLE	
98	0830863300	059380	ELETTRODO	ELECTRODE	
99	0214164101	057960	RACCORDO ELETTRODO	PIPE FITTING, ELECTRODE	
100	0835834900	002605	ACCENDITORE PIEZO	PIEZOELECTRIC IGNITER	
101	0638883500	006514	CAVO	IGNITION CABLE	
102	0541809000	002816	COPERTURA PULSANTE PIEZO	COVER, PIEZO	
103	0506833401	054029	GUARNIZIONE UGELLO	GASKET, INJECTOR	b c e
104	0835868100	0C2799	CONDUTTURA ANTERIORE FUOCHI	PIPE, FRONTAL OPEN BURNER	c d e
105	08358868200	0C2800	CONDUTTURA POSTERIORE FUOCHI	PIPE, REAR OPEN BURNER	c d e
106	0517870101	0C0151	CONDUTTURA ANTERIORE PILOTA	PIPE, FRONTAL PILOT	till s/n 646
	0516888001	0C4192	CONDUTTURA ANTERIORE PILOTA	FRONT PILOT PIPE	since s/n 646
107	0517870202	0C0152	CONDUTTURA POSTERIORE PILOTA	PIPE, REAR PILOT	till s/n 646
	0516888101	0C4193	CONDUTTURA POSTERIORE PILOTA	REAR PILOT PIPE	since s/n 646
108	0835859300	0C0209	VALVOLA GAS MERTIK	GAS VALVE MERTIK	b c
108a	<b>0532870200</b>	*	<b>PROTEZIONE VALVOLA GAS</b>	<b>GAS VALVE PROTECTION</b>	b e
	0538809200	*	PROTEZIONE VALVOLA GAS	GAS VALVE PROTECTION	since s/n 723 c

**TUTTAPIASTRA GAS N700  
GAS SOLID TOP N700**

Code	Type	Ref.	Notes	Code	Type	Ref.	Notes
178 081	PTV/G2	a		178 084	PSV/G2	d	
178 082	PTF/G2	b		178 085	PSF/G3	e	
178 083	PSF/G2	c		178 201	PTV/G2N	f	

Pos	Factory Code	6 Dgt Code	Descrizione	Description	Ref. / Notes
			<b>Pagina 3</b>	<b>Page 3</b>	
109	0515827401	053665	BICONO	DOUBLE CONE	c d e
109a	0516888200	0C3645	BICONO PER PILOTA D.4	DOUBLE CONE D.4 FOR PILOT	since s/n 646 see TB PD2006-03
110	0510819003	0C0124	SUPPORTO VENTURI	SUPPORT, VENTURI	c d e
112	0510819103	0C0125	VENTURI 6 KW	VENTURI, 6 KW	c d e
115	0510819303	0C0127	CORPO BRUCIATORE 6KW	BURNER 6KW	c d e
117	0510819501	0C0129	SPARTIFIAMMA 6kW	FLAME SPREADER 6kW	c d e
118	0806820902	0C0199	PILOTA	PILOT BURNER	till s/n 646
	0806854300	0C3644	PILOTA FUOCHI	PILOT BURNER	since s/n 646
118a	0510823900	0C3643	SUPPORTO CURVO PER UGELLO PILOTA	CURVED JET HOLDER	since s/n 646 see TB PD2006- 03
119	0831800500	0C0202	TERMOCOPPIA	THERMOCOUPLE	
120	0514862501	051950	RACCORDO VALVOLA - RIBALTA	PIPE FITTING, MAINFOLD - GAS VALVE	b c e
121	0215170716	050682	OGIVA VALVOLA - RIBALTA	RING , MAINFOLD - GAS VALVE	b c e
122	0835857602	0C0208	CONDUTTURA FORNO	PIPE, OVEN	b c e
123	0516869500	0C0149	RACCORDO VALVOLA - COND.FORNO	PIPE FITTING, GAS VALVE - OVEN	b c e
124	0516869600	0C0150	BICONO VALVOLA - COND.FORNO	DOUBLE CONE, GAS VALVE - OVEN	b c e
125	0214108111	0A2125	DADO, CONDUTTURA FORNO	NUT, OVEN PIPE	b c e
126	0215073101	060325	BICONO, CONDUTTURA FORNO	DOUBLE CONE, OVEN PIPE	b c e
127	0517870302	0C0153	CONDUTTURA PILOTA	PIPE, PILOT	b c e
128	0830860902	059221	BRUCIATORE FORNO	OVEN BURNER	b c e
129	0511805401	059250	PORTAUGELLO	INJECTOR HOLDER	b c e
130	0214105101	020997	CONTRODADO	LOCK NUT	b c e
131	0830827102	054085	AREATORE	AREATOR	b c e
132	0830852501	020094	TERMOCOPPIA FORNO	THERMOCOUPLE OVEN	b c e
133	0529836201	0C0171	SQUADRETTA PILOTA	BRACKET, PILOT	b c e
134	0529836300	0C0172	PROTEZIONE PILOTA	PROTECTION, PILOT	b c e
135	0533819600	0C3472	PARAFIAMMA BRUCIATORE FORNO	FLAME SPREADER, OVEN	b c e
138	0533814300	0C2823	CONVOGLIATORE BRUCIATORE	PROTECTION, BURNER	b c e
139	0529836000	0C0169	CHIUSURA PER CONVOGLIATORE	PROTECTION TIGHTENER	b c e
140	0529836101	0C0170	CHIUSURA PER BRUCIATORE	OVEN BURNER TIGHTENER	b c e
141	0525867300	0A5415	PARAFIAMMA CAMERA COMBUSTIONE	FIREPROOF COMBUSTION CHAMBER	
142	0246519800	0C2356	TAPPO PER RIBALTA	MANIFOLD STOPPER	
143	0533828400	*	PARETE SUP. CAMINO	UPPER PANEL, CHIMNEY	