



**CONGELATORI**

**FREEZER**

**"PROSTORE 900"**

Code	Model	Ref.	Page	Version	Notes
P71354/691317	PS09F1F	a	2,4,6	01	1-DOOR FREEZER 720LT,-15/-22° PROSTORE 404a
P71398/691322	PS09F1FHC	b	2,4,6	01	1-DOOR RH FREEZER 720LT,-15/-22° PROST. R290
P71391/691323	PS09F1FHCL	c	2,4,6	01	1-DR FREEZ.720LT,-15/-22°,PROST.R290-LFT
P71390/691321	PS09F2FHC	d	3,4,6	01	2½-DR FREEZ.720LT,-15/-22°,PROSTORE-R290
P71389/691320	PS09F1FRL	e	2,5,6	01	1-DR FREEZ.720LT,-15/-22°,PROST.REM-LEFT 404a
691319	PS09F1FR	f	2,5,6	00	1-DOOR FREEZ.720LT,-15/-22°,PROSTORE,REM
728389	APS06F1F	g	2,4,6	00	1-DOOR FREEZER 720LT,-15/-22°, PROSTORE
728840	APS06F1FR	h	2,5,6	00	1-DOOR FREEZ.720LT,-15/-22°,PROSTORE,REM
728841	APS06F1FHC	i	2,4,6	01	1-DOOR RH FREEZER 720LT,-15/-22° PROST. R290
P71396/691339	PS09F1FM	l	2,4,7	01	1-DR FREEZ.720L,-15/-22°,PROST,60HZ,MAR
<b>727491</b>	<b>ICF61F</b>	<b>m</b>	<b>2,4,6</b>	<b>02</b>	<b>1-DOOR ICE CREAM PRESERVER 720L -28/-12°</b>

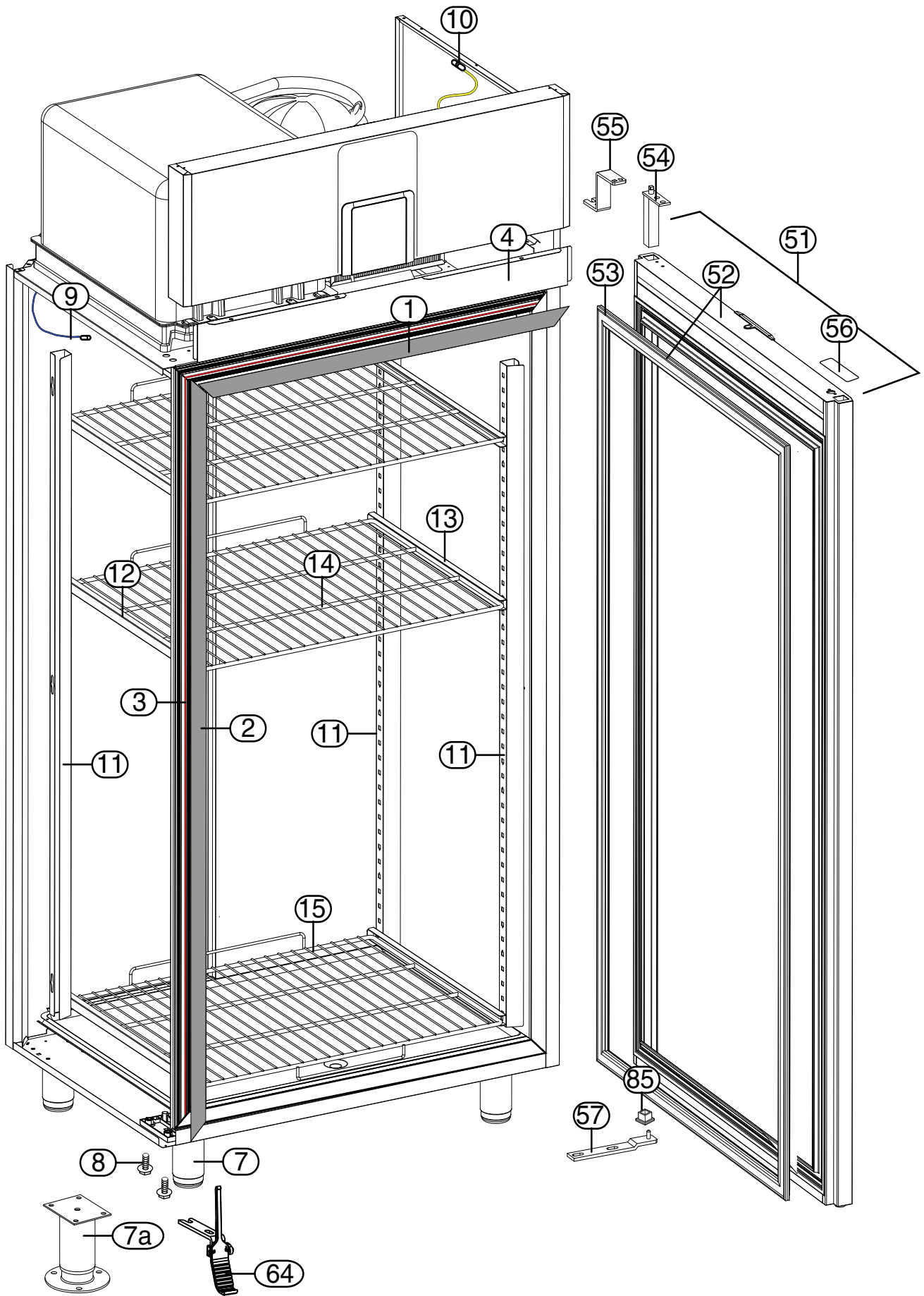
**Index and pages**

		Last Updates	Page
Full Door/Porta intera	2	09 2014	8, 9
Half Doors/Mezze porte	3		
Cooling unit / Gruppo	4		
Remote cooling unit/ gruppo remoto	5		
Control panel/Pannello di controllo	6		
Marine control panel/Pannello di controllo Marine	7		

**Brand: Electrolux\_Alpeninox**  
**Country:**

Grassetto = ultima modifica Bold = last change	* Componenti a richiesta * Components on demand
From Ser. Nr.3391... / Up to Ser. Nr...	Page: 1 Ed. 07 October.-2013
<b>Doc. Nr.: 560150</b>	

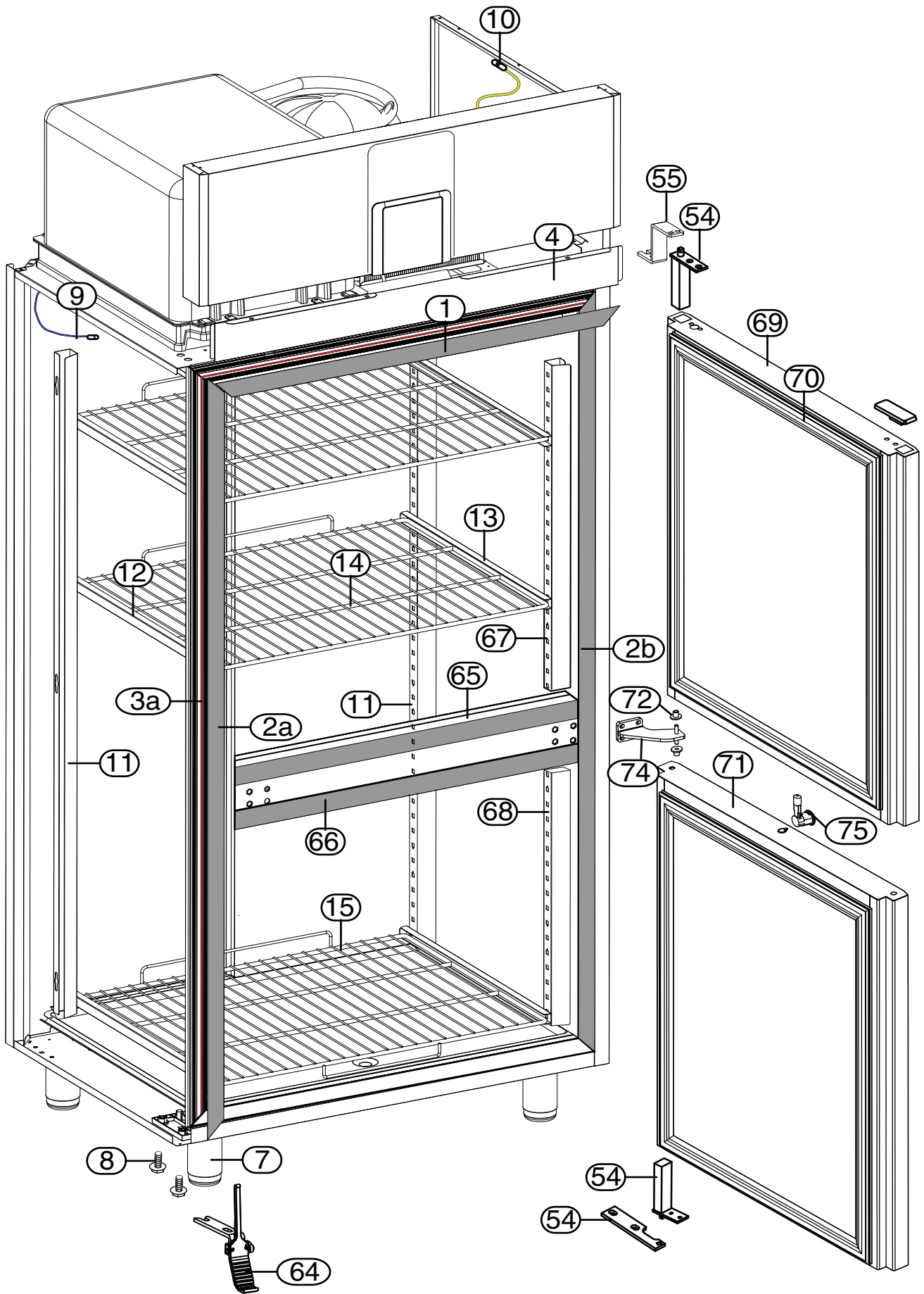
Full door



Grassetto = ultima modifica  
 Bold = last change

\* Componenti a richiesta  
 \* Components on demand

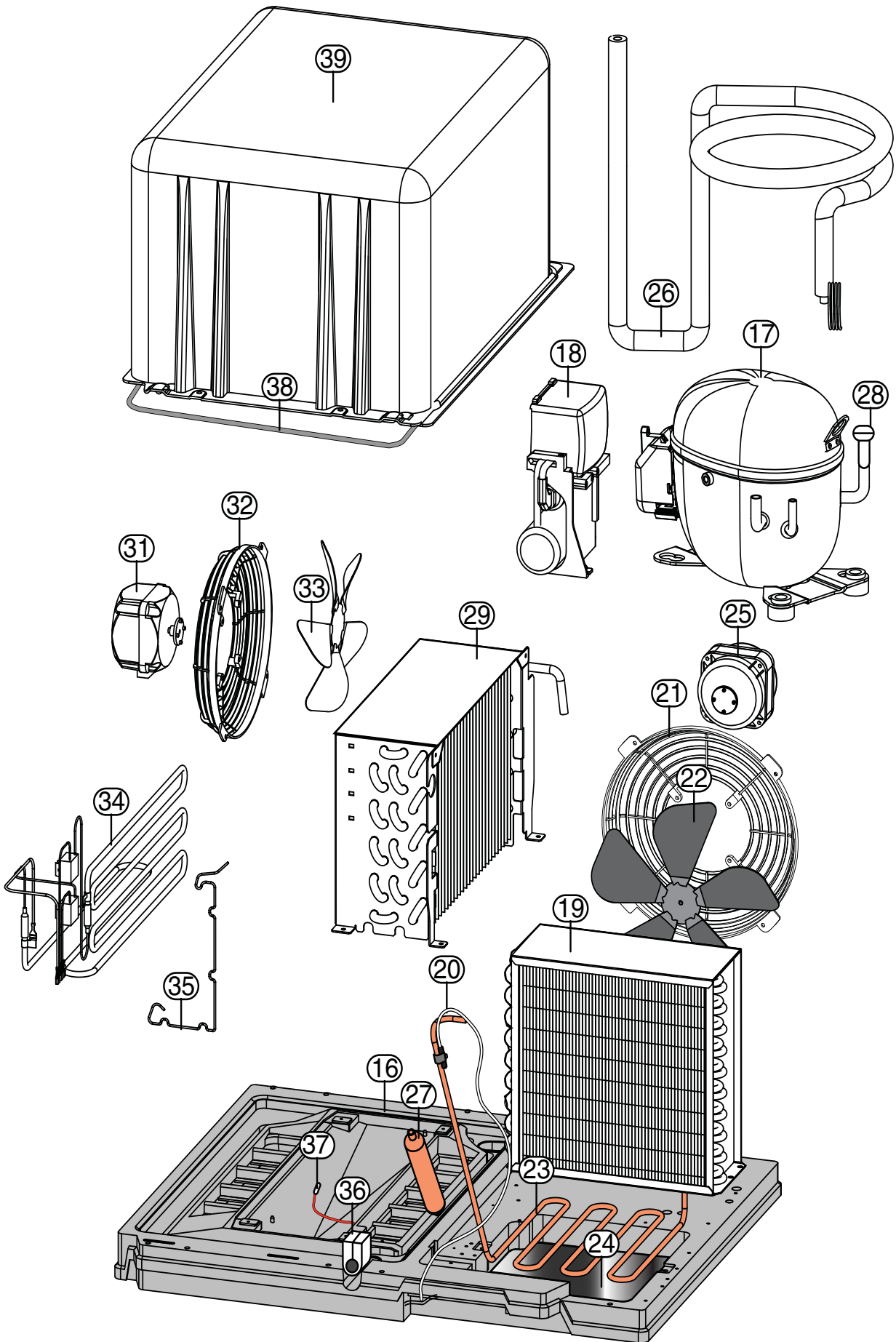
Half doors



Grassetto = ultima modifica  
 Bold = last change

\* Componenti a richiesta  
 \* Components on demand

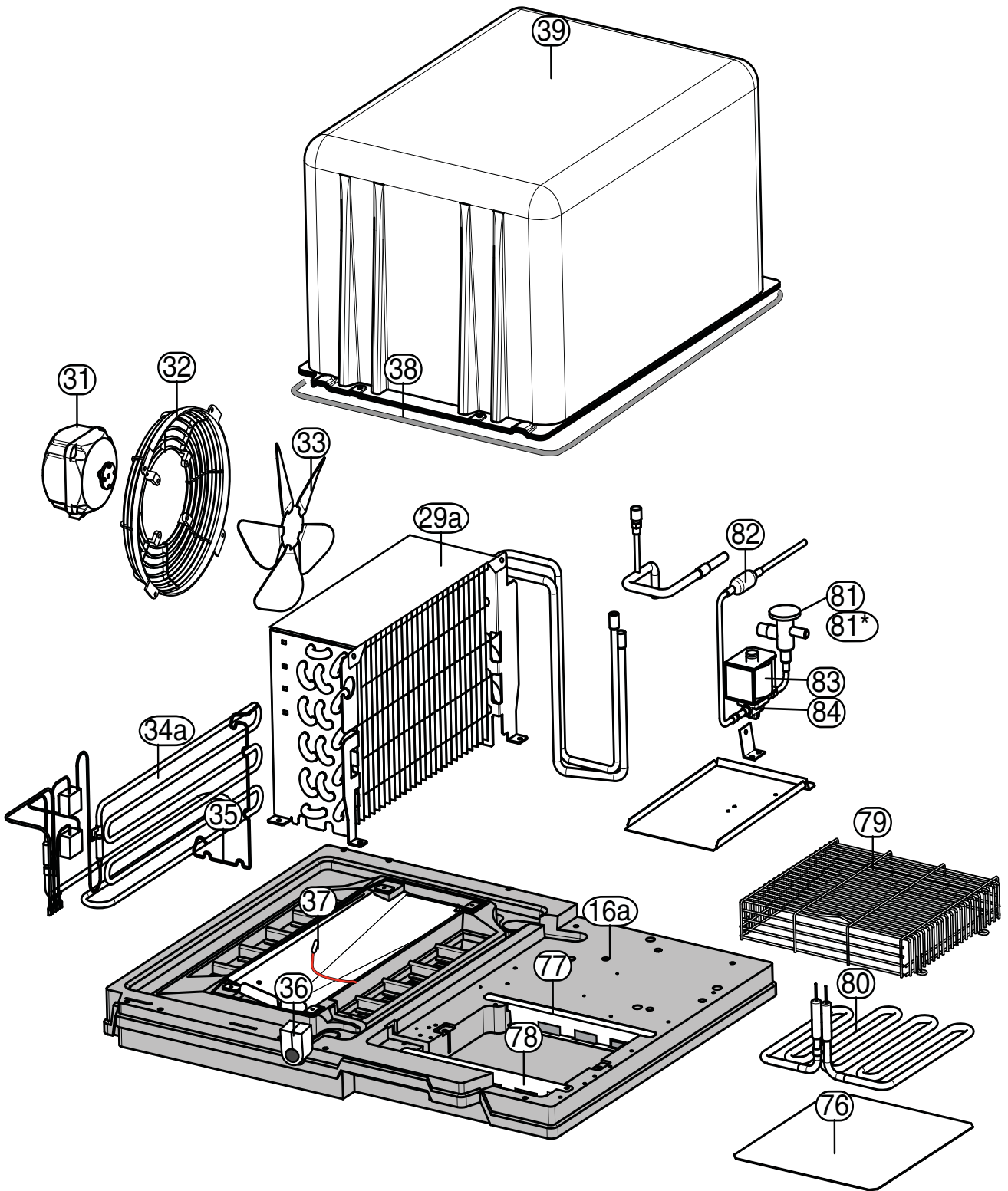
# Cooling unit



Grassetto = ultima modifica  
 Bold = last change

\* Componenti a richiesta  
 \* Components on demand

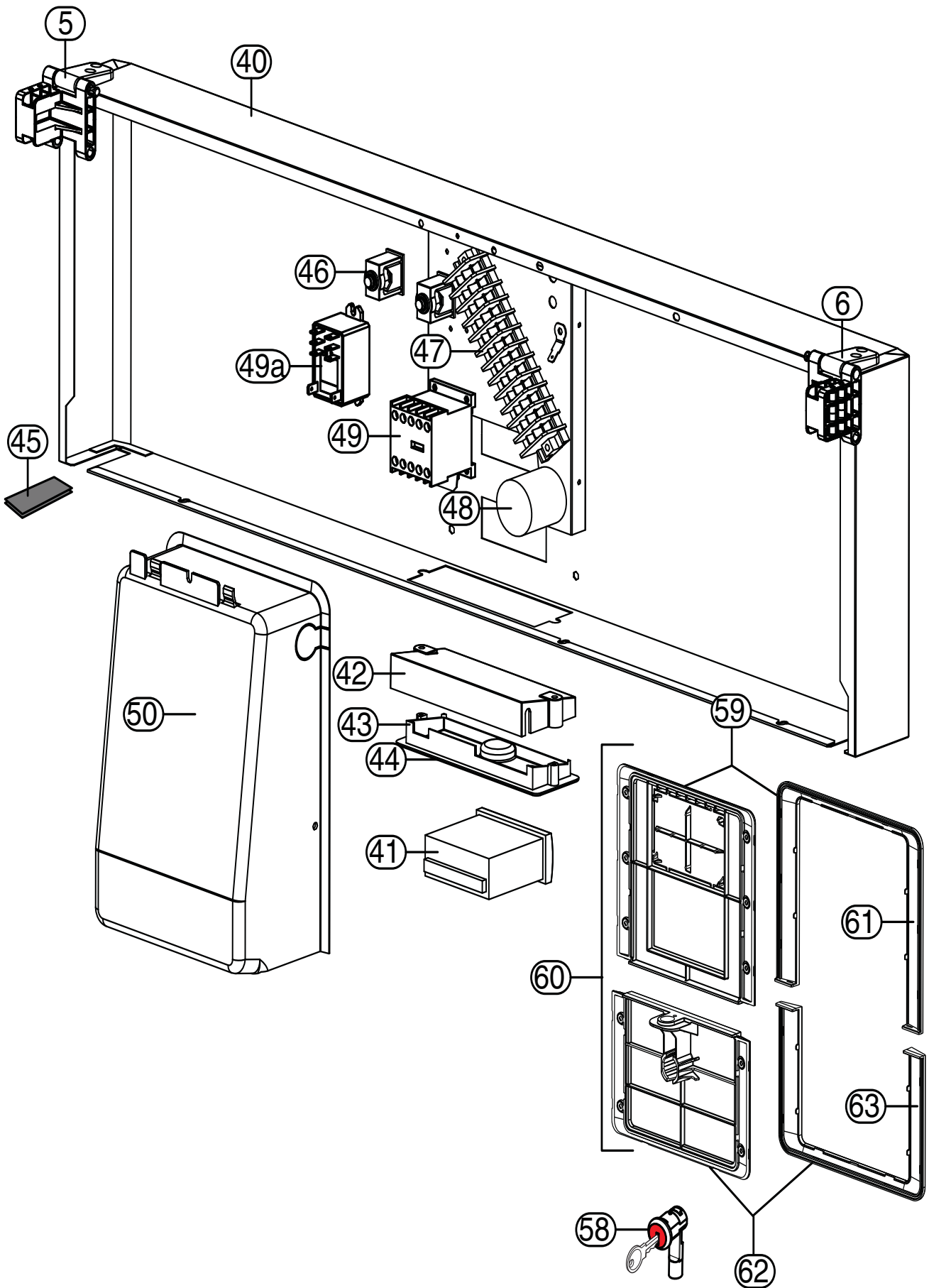
# Remote cooling unit



Grassetto = ultima modifica  
 Bold = last change

\* Componenti a richiesta  
 \* Components on demand

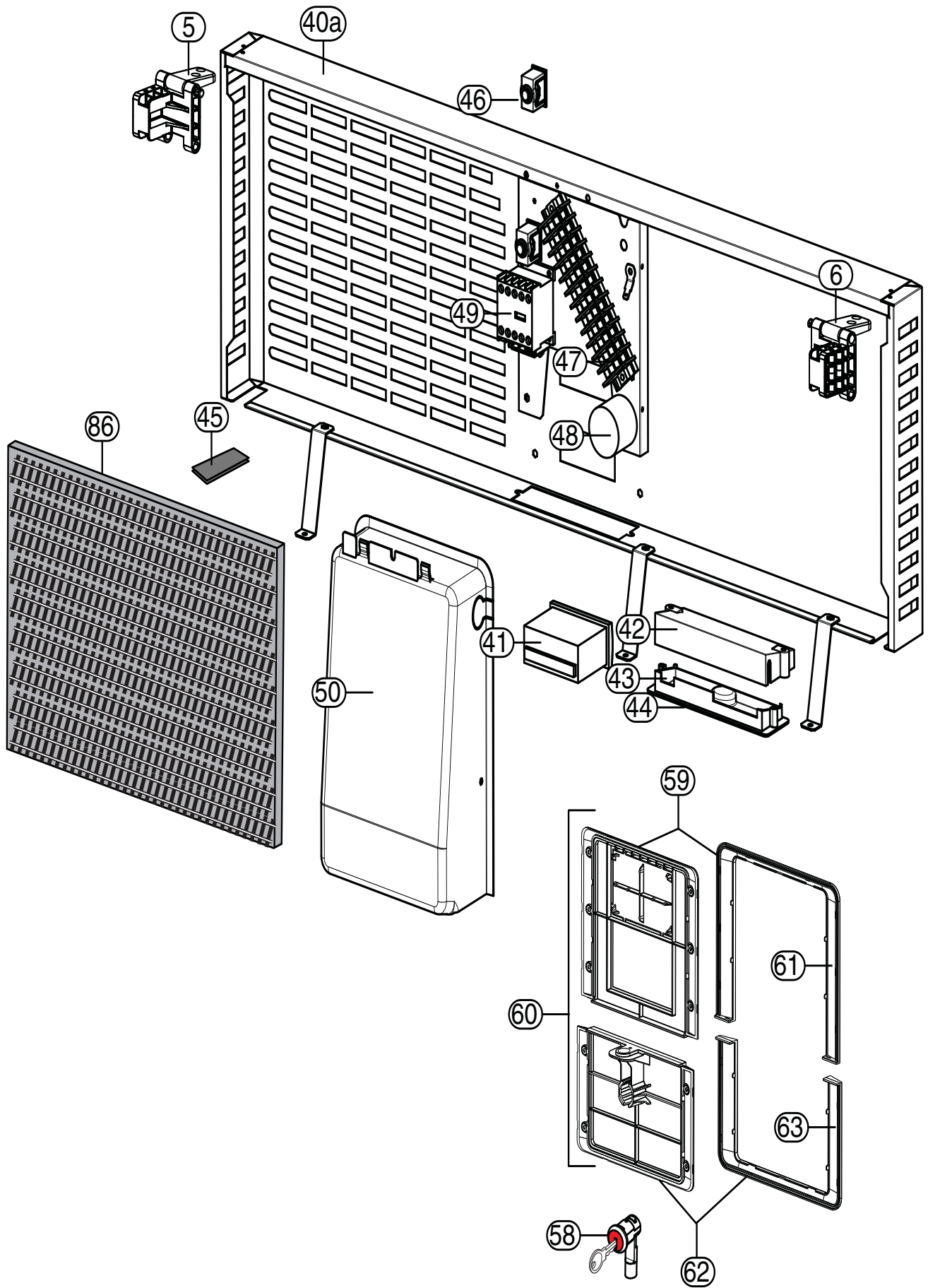
# Control panel



Grassetto = ultima modifica  
**Bold = last change**

\* Componenti a richiesta  
 \* Components on demand

Marine control panel



Grassetto = ultima modifica  
 Bold = last change

\* Componenti a richiesta  
 \* Components on demand

Pos	Code	Factory code	Descrizione	Description	Ref./Notes
1	094091	832R15000	Cornice orizzontale sup/inf	Upper/lower gasket frame	
2	094092	832R15100	Cornice dx e sx	Vertical gasket frame right /left	a,b,c,g,i,l
2a		832R15600	Cornice verticale sx	Vertical gasket frame left	d
2b		832R15700	Cornice verticale dx	Vertical gasket frame right	d
3	094095	617R08700	Cavo riscaldante 5w/mt	Hot frame cable 5 w/mt	a,b,c,g,i,l
3a	094096	617R09500	Cavo riscaldante 5w/mt	Hot frame cable 5 w/mt	d
4		501R90001	Copertura frontale	Front cover	
5	093609	832R10100	Cerniera cruscotto dx	Right hinge for control panel	
6	093610	832R10200	Cerniera cruscotto sx	Left hinge for control panel	
7	093243	541R05001	Piedino	Foot	
7a	094098	518R03900	Piedino Marine	Marine foot	
8	093245	217555204	Vite 7 X20	Screw 7X20	
9	092173	646R06700	Sonda cella 1500 mm 6x20	Cell probe 1500mm 6x20	
10	093371	646R10900	Sonda ambiente 2000 mm 6x20	Ambient probe 2000 mm 6x20	a,b,c,d,g,i,l
11	094099	501R90901	Cremaagliera	Rack support	
11		501R23801	Cremaagliera	Rack support	
11	<b>094178</b>		<b>Cremaagliera</b>	<b>Rack support</b>	<b>m</b>
12	094101	501R91201	Guida sx	Left support	
12	094102	501R97201	Guida sx	Left support	
13	094103	501R91301	Guida dx	Right support	
13	094104	501R97301	Guida dx	Right support	
14	094105	514R14900	Griglia	Shelf	
14	<b>092315</b>		<b>Griglia</b>	<b>Shelf</b>	<b>m</b>
15	094106	514R15000	Griglia di fondo	Bottom shelf	a,b,c,d,g,i,l
16	094107	546R29700	Supporto gruppo	Cooling support	a,b,c,d,g,i,l
16a	094108	546R30200	Supporto gruppo per remoto	Cooling support "remote"	e,f,h
17	094109	684R09100	Compressore NT2178GK	Compressor NT2178GK	a,g,l (404A)
17	093422	648R05800	Compressore NT2170U	Compressore NT2170U	b,c,d,i (R290)
18	*	*	Electrical box	Electrical box	a,b,c,d,g,i
19	093333	830R04900	Condensatore alettato	Condenser	a,b,c,d,g,i,l
20	092360	646R09400	Sonda condensatore NTC	Condenser probe NTC	a,b,c,d,g,i,l
21	089755	546709500	Griglia supporto ventilatore cond.	Condenser fan protection	a,b,c,d,g,i,l
22	089697	511708800	Ventola 230 31 condensatore	Condenser Fan 230 31	a,b,c,d,g,i,l
23	094110	515R23400	Serpentina condensatore	Condenser hot pipe	a,b,c,d,g,i,l
24	099871	502770300	Protezione fondo serpentina	Bottom protect. conden. hot pipe	a,b,c,d,g,i,l
25	093334	682R05300	Ventilatore condensatore	Condenser Fan VN 10 20	a,b,c,d,g,i
26	094111	858R13100	Scambiatore con capillare	Heat exchanger with capillary	a,g,l
26	094112	858R13000	Scambiatore con capillare	Heat exchanger with capillary	b,c,i
27	084078	805729802	Filtro deidratore gr 40	Dehydrator filter 40 gr	a,b,c,d,g,i,l
28	0A8171	A02021800	Valvola di ricarica compressore	Schrader Valve	a,b,c,d,g,i,l
29	094113	832R16700	Evaporatore 3R10T330A	Evaporator	a,b,c,d,g,i,l
29a		832R17000	Evaporatore per remoto	Evaporator for remote unit	e,f,h
31	093334	682R05300	Ventilatore evaporatore	Evaporator Fan	
32	089770	546709600	Protezione ventola evaporatore	Evaporator fan protection	
33	093783	511R01200	Ventola 200X28	Fan 200x28	
34a	094116	856R21801	Ass. Resistenza evaporatore	Evaporator heating element	e,f,h
34	094117	617R08901	Ass. Resistenza evaporatore	Evaporator heating element	a,b,c,d,g,i,l
35	094118	514R15100	Molla fissaggio resistenza	Retain spring for heating elem.	

Grassetto = ultima modifica  
Bold = last change

\* Componenti a richiesta  
\* Components on demand

Pos	Code	Factory code	Descrizione	Description	Ref./Notes
*	<a href="#">093487</a>	514R11600	Molla fissaggio termostato	Retain spring for heating elem.	
36	<a href="#">094119</a>	546R30100	Tamponcino uscita tubi	Gasket pipe	
37	<a href="#">094120</a>	617R08800	Resistenza scarico H2O	Discharge heating element	
38	<a href="#">089613</a>	569701800	Guarnizione campana	Gasket cover	
39	<a href="#">090079</a>	877718902	Campana	Cover	
40		880R94002	Modulo pannello comandi comple.	Complete control panel	a,b,c
40		880R91102	Modulo pannello comandi comple.	Complete control panel	d,i
40		880R92202	Modulo pannello comandi comple.	Complete control panel	e,f,h
40		880R94002	Modulo pannello comandi comple.	Complete control panel	g
40a		881R00902	Modulo pannello comandi comple.	Complete control panel	l
41	<a href="#">093437</a>	646R10602	Termoregolatore Ir 33	Digital control iR33	
42	<a href="#">093387</a>	546R19600	Coperchio supporto scheda led	Cover led light	
43	<a href="#">093810</a>	855R12701	Assieme scheda led	Led light	
44	<a href="#">093390</a>	569R05900	Guarnizione supporto scheda led	Led gasket	
45	<a href="#">093269</a>	541R05400	Tappo fori cerniere	Plug for hinge	
46	<a href="#">094127</a>	639700500	Ferma cavo	Wiring stopper	
47	<a href="#">093528</a>	639R09900	Morsettiera	Clamp	
48	<a href="#">092257</a>	694R00501	Filtro antidisturbo	Electrical filter	
49	<a href="#">088557</a>	648727100	Teleruttore K1 09D10 230	Switch/contactor	a,g,i
49a	<a href="#">093848</a>	648R06300	Relè 668282300001	Relay	b,c,d,i
50	<a href="#">094128</a>	546R29401	Copertura termoregolatore	Back protection for control panel	
51	<a href="#">094129</a>	880R90002	Porta completa con cerniere	Door complete with hinge	a,b,c,e,f,g,h,i,l
52	<a href="#">094130</a>	875R24101	Porta con guarnizione	Door with gasket	a,b,c,e,f,g,h,i,l
53	<a href="#">094155</a>	548R08600	Guarnizione porta	Door gasket	a,b,c,e,f,g,h,i,l
54	<a href="#">082219</a>	835704001	Cerniera superiore	Upper hinge door	
55	<a href="#">094131</a>	505R15802	Staffa superiore	Upper braket door	
56	<a href="#">093271</a>	541R05300	Tappo foro cerniera	Plug door	
57	<a href="#">087792</a>	800732701	Staffa inferiore	Lower braket door	a,b,c,e,f,g,h,i,l
58	<a href="#">093345</a>	833R20900	Serratura porta	Lock	
59		855R10200	Ass. mascherina cruscotto elux	Template control panel elux	a,b,c,d,e,f,l
59		855R10400	Ass. mascherina cruscotto apx	Template control panel apx	g,h,i
<b>60</b>	<b><a href="#">093383</a></b>	<b>855R11100</b>	<b>Ass.masch., porta e crusc. elux</b>	<b>Templete door and cont. pan. elux</b>	<b>a,b,c,d,e,f,l,m</b>
60	<a href="#">093385</a>	855R11300	Ass.masch., porta e crusc. apx	Templete door and cont. pan. apx	g,h,i
61		546R20000	Cornice cromata cruscotto elux	Crome frame template control p.	a,b,c,d,e,f,l
61		546R20100	Cornice cromata cruscotto apx	Crome frame templ. control p. apx	g,h,i
62		855R10500	Ass. mascherina porta elux	Templete door elux	a,b,c,d,e,f,l
62		855R10700	Ass. mascherina porta apx	Templete door apx	g,h,i
63		546R20200	Cornice cromata porta elux	Crome frame template door elux	a,b,c,d,e,f,l
63		546R20300	Cornice cromata porta apx	Crome frame template door apx	g,h,i
64	<a href="#">094132</a>	833R27200	Pedale apertura porta Sx	Door pedal (left)	c,e
64	<a href="#">094133</a>	833R27100	Pedale apertura porta Dx	Door pedal (right)	a,b,d,f,g,h,i
65	<a href="#">094136</a>	880R97501	Modulo Traversa	Half doors support	d
66	<a href="#">094138</a>	832R15500	Cornice traversa	Half doors frame support	d
67		501R94601	Cremaiglieria anteriore superiore	Front rack upper support	d
68	<a href="#">094140</a>	501R96501	Cremaiglieria anteriore inferiore	Front rack lower support	d
69	<a href="#">094141</a>	835R36501	Ass. porta superiore con guarnizi.	Upper door with gasket	d
70	<a href="#">094158</a>	548R09000	Guarnizione mezza porta	Half door gasket	d
71	<a href="#">094142</a>	835R36600	Ass. porta superiore con guarnizi.	Upper door with gasket	d

Grassetto = ultima modifica  
Bold = last change

\* Componenti a richiesta  
\* Components on demand

Pos	Code	Factory code	Descrizione	Description	Ref./Notes
72	<a href="#">093392</a>	546R21100	Boccole per cerniera	Bush for half door	d
73	<a href="#">093713</a>	505R14200	Staffa inferiore	Lower bracket	d
74	<a href="#">093344</a>	505R12400	Staffa centrale	Central bracket	d
75	<a href="#">093433</a>	833R21100	Serratura mezze porte	Lock half doors	d
76	<a href="#">091483</a>	502774400	Protezione fondo	Bottom protection	e,f,h
77	<a href="#">091711</a>	502773300	Distanziale posteriore	Back spacer	e,f,h
78	<a href="#">091712</a>	502773200	Distanziale anteriore	Front spacer	e,f,h
79	<a href="#">099378</a>	514744603	Griglia per resistenza	Protection heating element	e,f,h
80	<a href="#">094143</a>	617R09800	Resistenza di evaporazione 100W	Evaporation heating elem. 100W	e,f,h
81	<a href="#">087334</a>	646741000	Valvola termostatica R404A UG3	Thermostatic valve 404A UG 3	e,f,h
81*	<a href="#">089614</a>	565717600	Isolante per valvola termostatica	Thermostatic valve insulation	e,f,h
82	<a href="#">090229</a>	525719000	Filtro meccanico	Mechanical filter	e,f,h
83	<a href="#">090230</a>	646742400	Elettrovalvola	Solenoid valve	e,f,h
84	<a href="#">088351</a>	646749000	Bobina per valvola	Coil	e,f,h
85	<a href="#">081654</a>	544700601	Boccola per cerniera	Bush for hinge	
86	<a href="#">094144</a>	546R30001	Filtro cruscotto	Filter for control panel	l

Grassetto = ultima modifica  
 Bold = last change

\* Componenti a richiesta  
 \* Components on demand

Grassetto = ultima modifica  
Bold = last change

\* Componenti a richiesta  
\* Components on demand

From Ser. Nr.3391... / Up to Ser. Nr....

Page: **11**

Ed. 07 October.-2013

**Doc. Nr.: 560150**