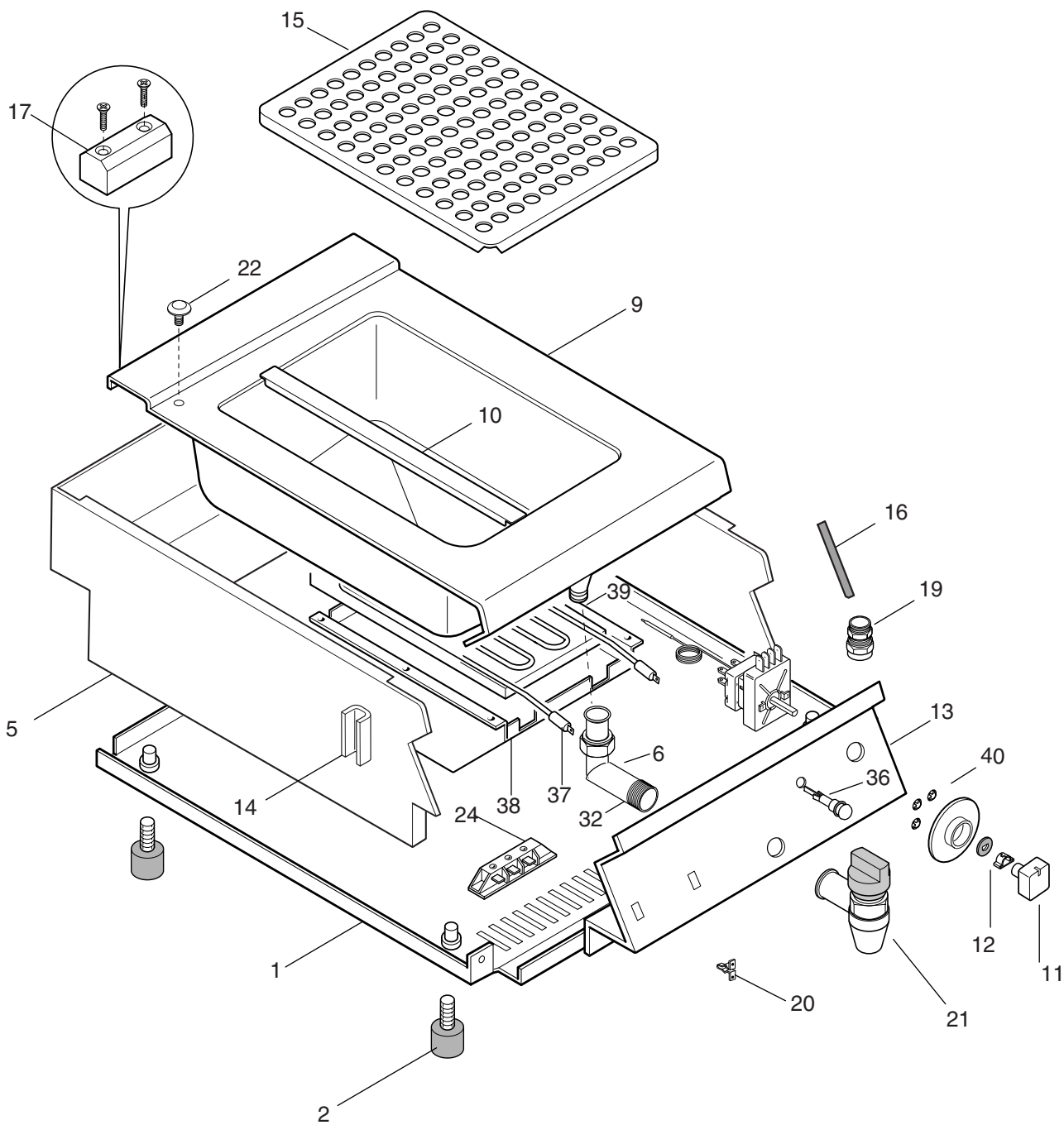


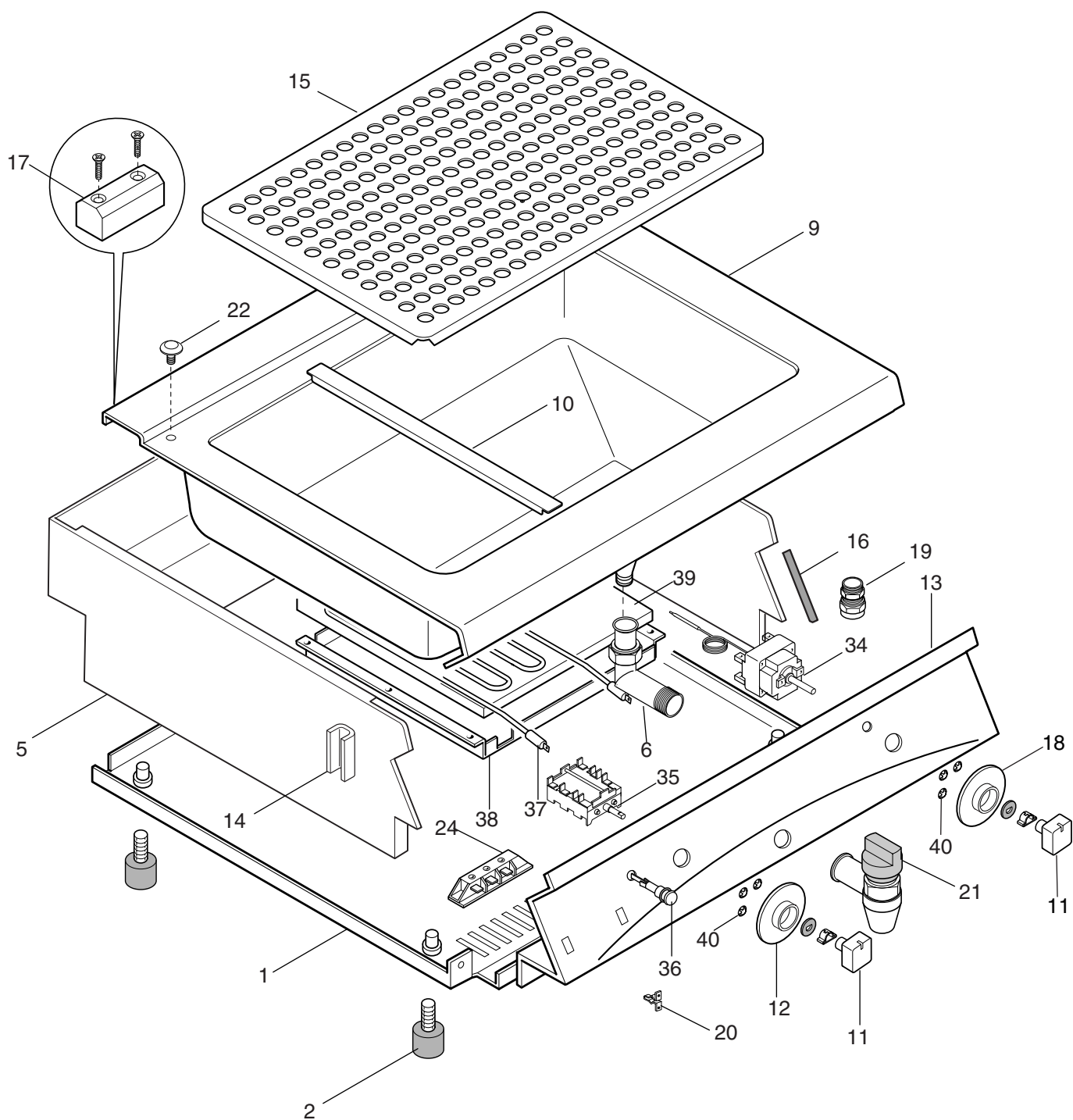
PNC	Model	Ref.	Page	Notes
178 157	PB/E1	a	1 - 4	Electric bainmarie Top 400 MM
178 158	PB/E2	b	1 - 4	Electric bainmarie Top 800 MM
178 159	PBV/E2	c	1 - 4	Electric bainmarie +Open Base 800MM
178 160	PB/E2E5	d	1 - 4	Electric bainmarie Top 800 MM - 230V

	Index	Indice	
Pag.	1 - 3	Frame and components	Struttura e componenti
Pag.	4	Spare parts list	Lista ricambi

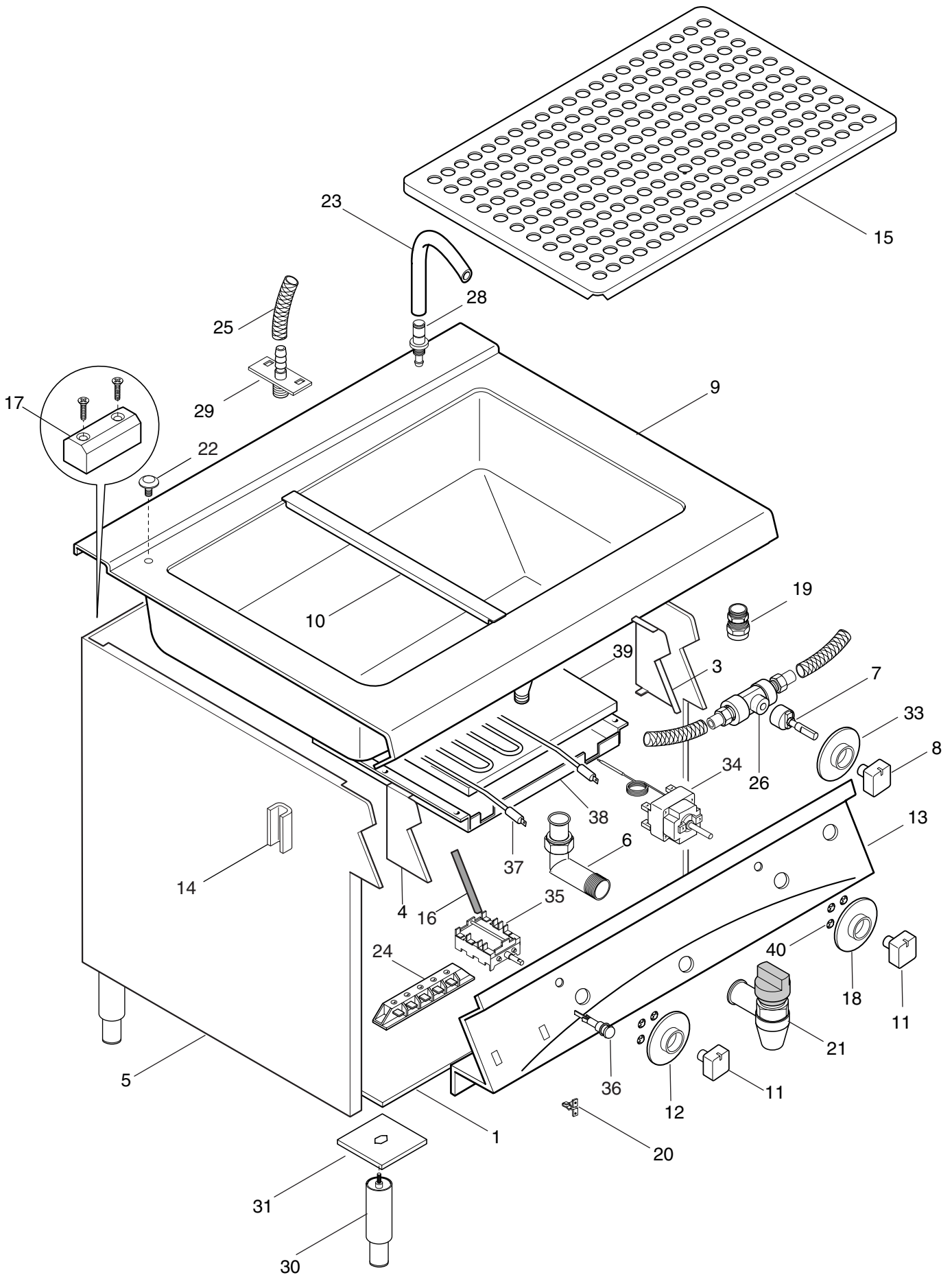
Brand / Marchio : Zanussi
Factory code: 9PDX



BAGNOMARIA ELETTRICI TOP N700
ELECTRIC BAINMARIE TOPN700



BAGNOMARIA ELETTRICI N700
ELECTRIC BAINMARIE N700



BAGNOMARIA ELETTRICI N700
ELECTRIC BAINMARIE N700

PNC	Model	Ref.	Notes
178 157	PB/E1	a	Electric Bainmarie 400
178 158	PB/E2	b	Electric Bainmarie 800
178 159	PBV/E2	c	Electric Bainmarie +Open Base 800
178 160	PB/E2E5	d	Electric bainmarie Top 800 MM - 230V

Pos	Factory Code	6DGT Code	Descrizione	Description	Ref. / Notes
Page 1					
1	0533832200	*	FONDO 400 MM	BOTTOM 400 MM	a
	0533832300	*	FONDO 800 MM	BOTTOM 800 MM	b d
	0800835100	*	FONDO VANO	BOTTOM OPEN BASE	c
2	0315252601	026806	PIEDINO	FOOT	a b d
3	0527836002	0C0154	RINFORZO DX	RIGHT SIDE REINFORCEMENT	c
4	0527836102	0C0155	RINFORZO SX	LEFT SIDE REINFORCEMENT	c
5	0522890101	*	RIVESTIMENTO LATERALE TOP 400MM	EXTERNAL PANEL 400MM	a
	0522889100	*	RIVESTIMENTO LATERALE TOP 800MM	EXTERNAL PANEL 800MM	
	0522882400	*	RIVEST. LATERALE. MONOBLOCCO	EXTERNAL PANEL FREESTANDING	
6	0831826700	*	SCARICO ACQUA	WATER DRAIN	
7	0548839801	003391	PROLUNGA PER MANOPOLA	KNOB EXTENSION	c
8	0548857002	0C0465	MANOPOLA ACQUA	WATER KNOB	c
9	0873859400	0C3919	RIPIANO VASCA 400 MM	WELL 400 MM	a
9	0873859500	0C3921	RIPIANO VASCA 800 MM	WELL 800 MM	b c d
10	0525867901	004859	TRAVERSA	CROSSBAR	b c d
11	0548856800	0C0257	MANOPOLA	KNOB	
12	0548858800	0C0518	GHIERA PER COMMUTATORE	KNOB RING, SWITCH	b c d
13	0870856300	0C3920	CRUSCOTTO 400 MM	CONTROL PANEL 400 MM	a
13	0870856600	0C3923	CRUSCOTTO 800 MM	CONTROL PANEL 800 MM	b d
13	0870856400	0C3924	CRUSCOTTO MONOBLOCCO	CONTROL PANEL, FREESTANDING	c
14	0527850500	0C0156	RINFORZO	REINFORCEMENT	
15	9F921622	004852	FALSO FONDO 400 MM	FALSE BOTTOM 400 MM	a
	9F921623	004858	FALSO FONDO 800 MM	FALSE BOTTOM 800MM	b c d
16	0140088006	0L0113	GUARNIZIONE	GASKET	
17	0516860700	0C0137	PIASTRINA	PLATE	
18	0548864700	0C0515	GHIERA TERMOSTATO	KNOB RING, THERMOSTAT	
19	0544802300	0C068	PRESSACAVO	FIXING CABLE	
20	0518801801	053342	MOLLA PER MARCHIO	SPRING FOR BRAND	
21	0835868000	0C2670	VALVOLA SCARICO	DRAIN VALVE	
22	0516831500	004549	TAPPO FORO RIPIANO	STOPPER, WELL	
23	0517848402	004537	GETTO EROGATORE	DISTRIBUTOR PIPE	c
24	0639804900	046357	MORSETTIERA 400 MM	TERMINAL BOARD 400 MM	a
	0A05714000	058613	MORSETTIERA 800 MM	TERMINAL BOARD 800 MM	b c d
25	0140068008	002707	TUBO CORAZZATO	RUBBER PIPE	
26	0835848500	005902	VALVOLA CARICO ACQUA	WATER VALVE	c
28	0517848502	004538	CORPO EROGATORE	DISTRIBUTOR FITTING	c
29	0806804700	004539	PORTAGOMMA	PIPE HOLDER	c
30	0835856900	0C0204	PIEDE	FOOT	c
31	0508898900	0C0122	PIASTRA RINFORZO PIEDE	PLATE FOR FOOT	c
32	0446574503	051142	INTERRUTTORE CONTERMOSTATO	SWITCH WITH THERMOSTAT	a
33	0548858701	0C2663	GHIERA MANOPOLA ACQUA	KNOB RING, WATER	c
34	0446578812	052000	TERMOSTATO TRIP 90°	THERMOSTAT TRIP 90°	
35	0A05443500	0A2241	INTERRUTTORE	SWITCH	b c d
36	0876800002	005010	LAMPADA SPIA VERDE	PILOT LAMP GREEN	
37	0417518523	050933	RESISTENZA	HEATING ELEMENT	
38	0533834700	*	SCATOLA RESISTENZE 400 MM	HEATING ELEMENT BOX 400 MM	a
	0533834400	*	SCATOLA RESISTENZE 800 MM	HEATING ELEMENT BOX 800 MM	b c d
39	0533834800	*	CONTROSCATOLA 400 MM	INNER BOX 400 MM	a
	0533834500	*	CONTROSCATOLA 800 MM	INNER BOX 800 MM	b c d
40	0533832700	*	CIELO VANO	TOP OPEN BASE	c