

Modular Platform

Viale Treviso, 15
33170 Pordenone - Italy
Fax: +390434-380577

**FRY TOP GAS N700
GAS GRIDDLES N700**

PNC	Model	Ref.	Page	Notes
178 345	OR/G1FL	a	1-5	Gas Fry Top smooth plate 400MM
178 346	OR/G1FR	b	1-5	Gas Fry Top Ribbed plate 400MM
178 347	OR/G1CL	c	1-5	Gas Fry Top smooth Crh Plate 400MM
178 348	OR/G2FL	d	1-5	Gas Fry Top smooth plate 800MM
178 350	OR/G2CL	f	1-5	Gas Fry Top smooth Crh Plate 800MM
178 357	OR/G2CM	g	1-5	Gas Fry Top smooth+Ribbed Chr.Plate 800MM

Pag. 1
Pag. 2
Pag. 3
Pag. 4
Pag. 5

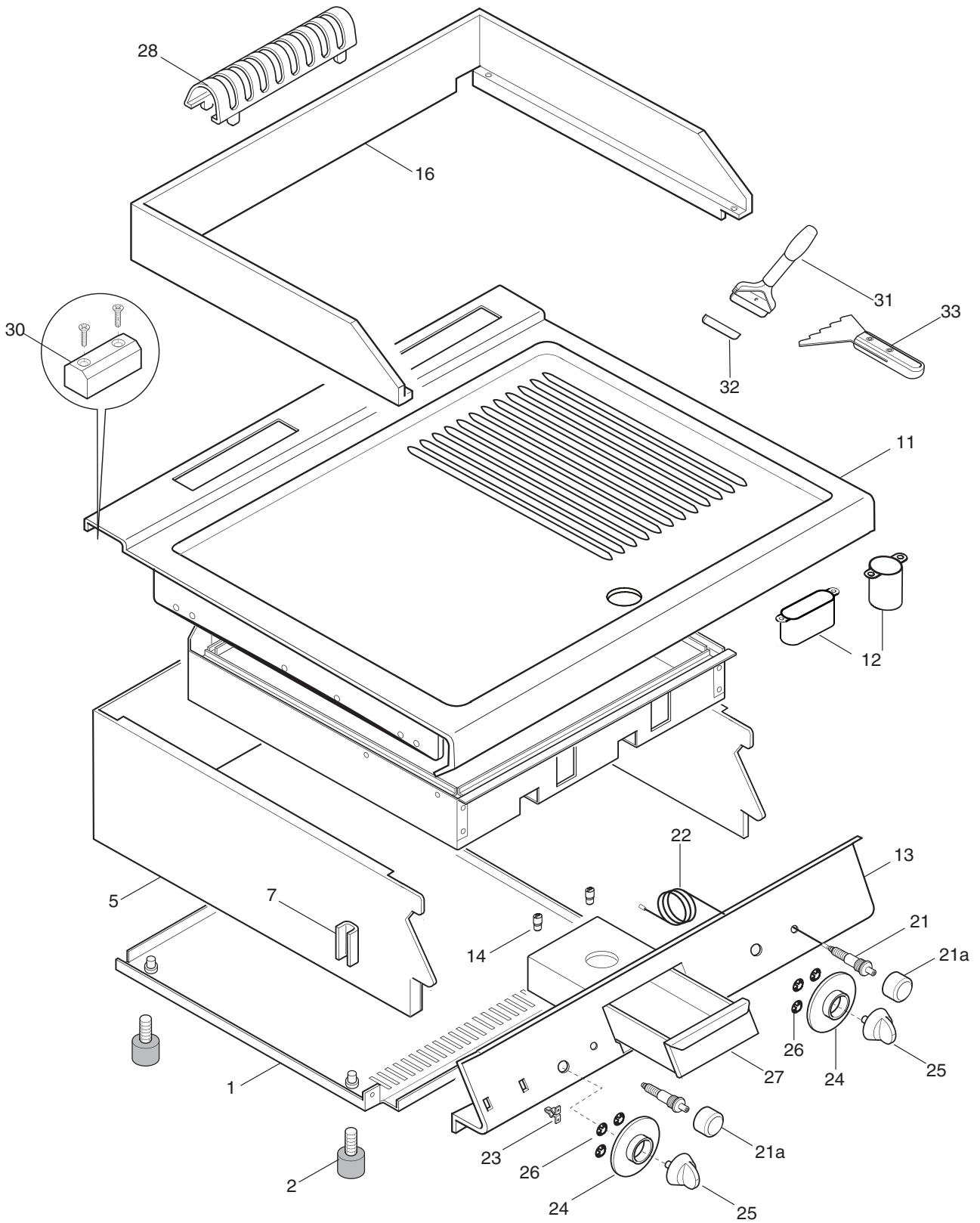
Index

Frame
Functional components mild steel plate
Functional components chrome plate
Spare parts list frame
Spare parts list functional

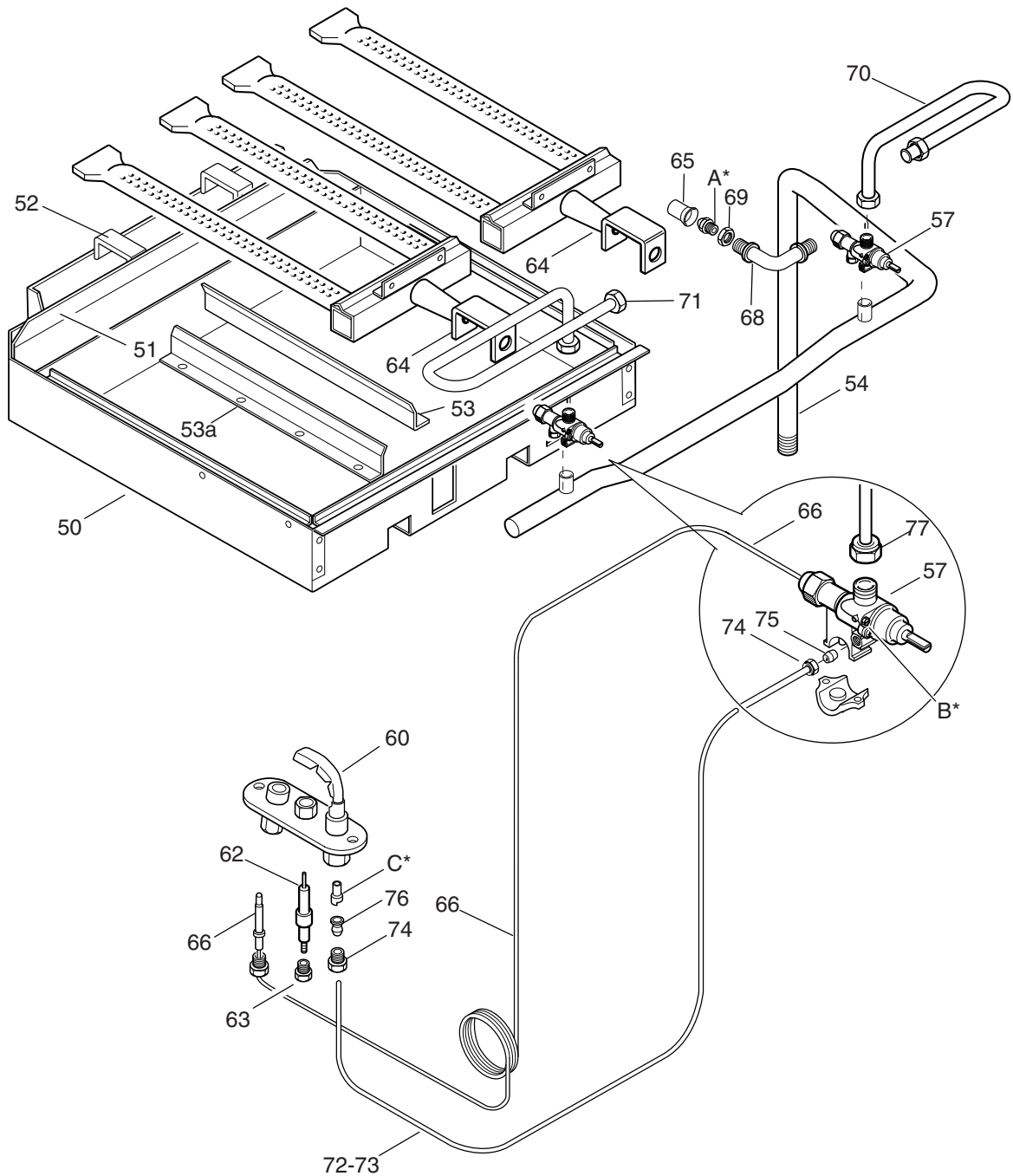
Indice

Mobile
Componenti funzionali piastra ferro
Componenti funzionali piastra cromo
Lista ricambi mobile
Lista ricambi funzionali

Brand / Marchio : Alpeninox
Factory code: 9PDX



Fry Top Gas N700
Gas FryTop N700



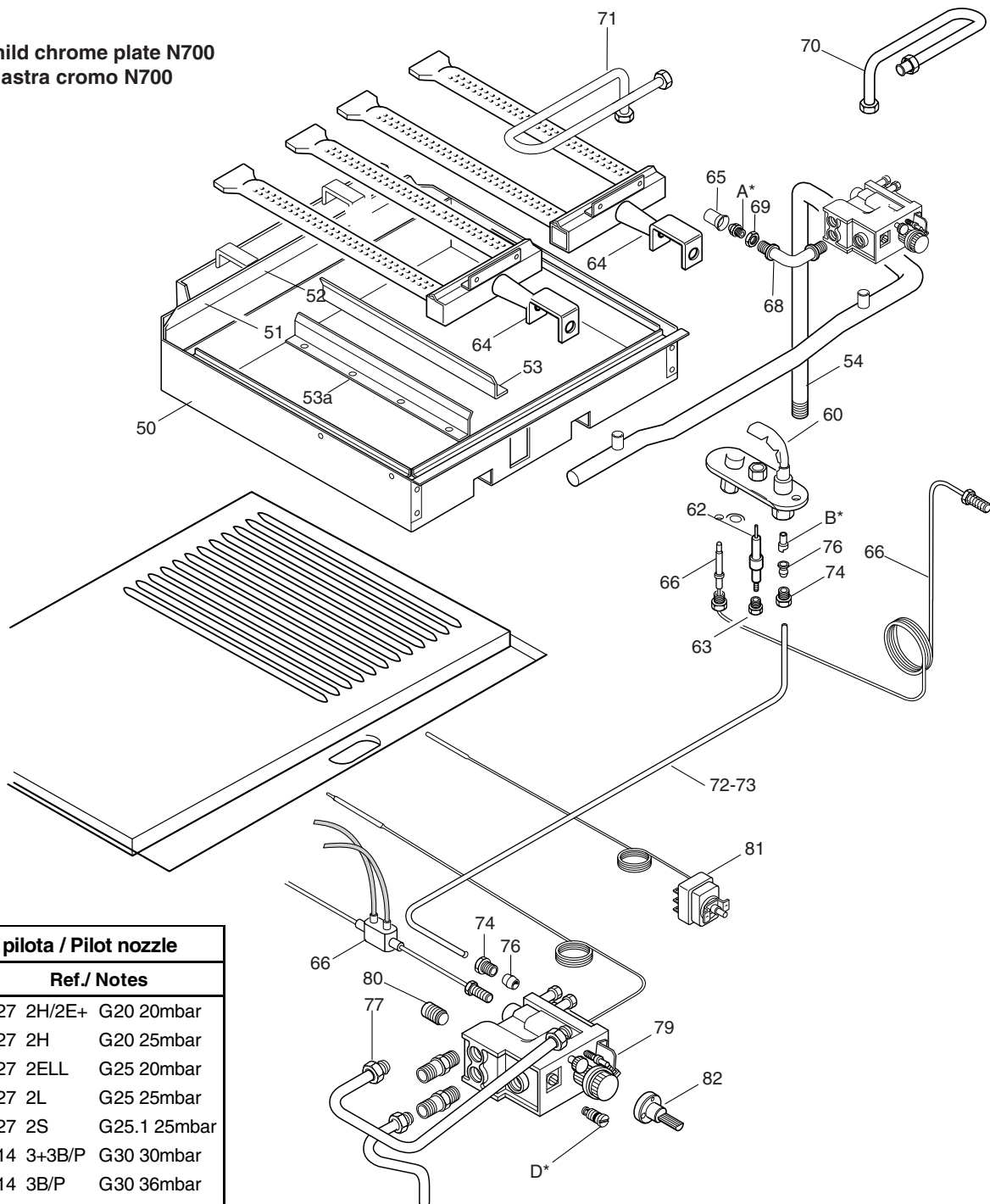
A - Ugello bruciatore / Burner nozzle	
6DGT Code	Ref. / Notes
0A2102	ø2 2H/2E+ G20 20mbar
0A2077	ø1.85 2H G20 25mbar
0A2083	ø2.20 2ELL G25 20mbar
058335	ø1.45 2L G25 25mbar
059418	ø2.05 2S G25.1 25mbar
0A2533	ø1.35 3+3B/P G30 30mbar
002393	ø1.30 3B/P G30 36mbar
0A2650	ø1.20 3B/P G30 50mbar
0A2081	ø2.30 No CE G20 10mbar
0A2174	ø4 No CE G110 8mbar

B - Ugello pilota / Pilot nozzle	
6DGT Code	Ref. / Notes
059215	n°27 2H/2E+ G20 20mbar
059215	n°27 2H G20 25mbar
059215	n°27 2ELL G25 20mbar
059215	n°27 2L G25 25mbar
059215	n°27 2S G25.1 25mbar
059216	n°14 3+3B/P G30 30mbar
059216	n°14 3B/P G30 36mbar
059216	n°14 3B/P G30 50mbar
059215	n°27 No CE G20 10mbar
059356	n°50 No CE G110 8mbar

C - Vite di minimo / Min screw	
6DGT Code	Ref. / Notes
002994	n°145 2H/2E+ G20 20mbar
002994	n°145 2H G20 25mbar
002994	n°145 2ELL G25 20mbar
002994	n°145 2L G25 25mbar
002994	n°145 2S G25.1 25mbar
004595	n°100 3+3B/P G30 30mbar
004595	n°100 3B/P G30 36mbar
002926	n°90 3B/P G30 50mbar
002994	n°145 No CE G20 10mbar
-	adjust No CE G110 8mbar

Fry Top Gas mild steel plate N700
Gas FryTop piastra ferro N700

Fry Top Gas mild chrome plate N700
Gas FryTop piastra cromo N700



B - Ugello pilota / Pilot nozzle

6DGT Code	Ref./ Notes
059215	n°27 2H/2E+ G20 20mbar
059215	n°27 2H G20 25mbar
059215	n°27 2ELL G25 20mbar
059215	n°27 2L G25 25mbar
059215	n°27 2S G25.1 25mbar
059216	n°14 3+3B/P G30 30mbar
059216	n°14 3B/P G30 36mbar
059216	n°14 3B/P G30 50mbar
059215	n°27 No CE G20 10mbar
059356	n°50 No CE G110 8mbar

A - Ugello bruciatore / Burner nozzle

6DGT Code	Ref. / Notes
0A2102	ø2 2H/2E+ G20 20mbar
0A2077	ø1.85 2H G20 25mbar
0A2083	ø2.20 2ELL G25 20mbar
058335	ø1.45 2L G25 25mbar
059418	ø2.05 2S G25.1 25mbar
0A2533	ø1.35 3+3B/P G30 30mbar
002393	ø1.30 3B/P G30 36mbar
0A2650	ø1.20 3B/P G30 50mbar
0A2081	ø2.30 No CE G20 10mbar
0A2174	ø4 No CE G110 8mbar

C - Vite di minimo Crh/ Min screw Crh

6DGT Code	Ref./ Notes
0A5422	n°160 2H/2E+ G20 20mbar
003159	n°140 2H G20 25mbar
0A5422	n°160 2ELL G25 20mbar
0A5422	n°160 2L G25 25mbar
0A5422	n°160 2S G25.1 25mbar
003321	n°110 3+3B/P G30 30mbar
004602	n°100 3B/P G30 36mbar
0C2987	n°90 3B/P G30 50mbar
0A5422	n°160 No CE G20 10mbar
-	adjust No CE G110 8mbar

**FRY TOP GAS N700
GAS GRIDDLE N700**

Code	Model	Ref.	Code	Model	Ref.
178 345	OR/G1FL	a	178 350	OR/G2CL	f
178 346	OR/G1FR	b	178 357	OR/G2CM	g
178 347	OR/G1CL	c			
178 348	OR/G2FL	d			

Pos	Factory Code	6 Dgt Code	Descrizione	Description	Ref. / Notes
			Pagina 1	Page 1	
1	0533826100	*	FONDO 400mm	BOTTOM PANEL 400mm	a b c till s/n 802
	0530865200	*	FONDO 400mm	BOTTOM PANEL 400mm	a b c since s/n 802
	0533826200	*	FONDO 800mm	BOTTOM PANEL 800mm	d f g till s/n 802
	0530865300	*	FONDO 800mm	BOTTOM PANEL 800mm	d f g since s/n 802
3	0315252601	026806	PIEDE	FOOT	
5	0532819700	*	RIVESTIMENTO LATERALE 400 mm	EXTERNAL PANEL 400 mm	a b c till s/n 802
	0530867000	*	RIVESTIMENTO LATERALE 400 mm	EXTERNAL PANEL 400 mm	a b c since s/n 802
	0532819800	*	RIVESTIMENTO LATERALE 800 mm	EXTERNAL PANEL 800 mm	d f g till s/n 802
	0530867100	*	RIVESTIMENTO LATERALE 800 mm	EXTERNAL PANEL 800 mm	d f g since s/n 802
11	0870860300	0C3379	RIPIANO 400mm	TOP 400mm	a
	0870860600	0C3382	RIPIANO 800mm	TOP 800mm	d
	0870860500	0C3381	RIPIANO 400mm	TOP 400mm	c
	0870860400	0C3380	RIPIANO 400mm	TOP 400mm	b
	0870860800	0C3383	RIPIANO 800mm	TOP 800mm	f
	0870860900	0C3384	RIPIANO 800mm	TOP 800mm	g
					see PDX2007-04
12	0806864302	0C3679	TUBO DI SCARICO	DRAIN PIPE	till s/n 647
	0806860100	*	TUBO DI SCARICO	DRAIN PIPE	since s/n 647
13	0856827300	0C3362	CRUSCOTTO 400mm	CONTROL PANEL 400mm	a b till s/n 647
	0856827301	0C5077	CRUSCOTTO 400mm	CONTROL PANEL 400mm	a b since s/n 647
	0856827600	0C3363	CRUSCOTTO 800mm	CONTROL PANEL 800mm	d till s/n 647
	0856827601	0C5080	CRUSCOTTO 800mm	CONTROL PANEL 800mm	d since s/n 647
	0856827100	0C3360	CRUSCOTTO 400mm	CONTROL PANEL 400mm	c till s/n 647
	0856827101	0C5075	CRUSCOTTO 400mm	CONTROL PANEL 400mm	c since s/n 647
	0856827400	0C3361	CRUSCOTTO 800mm	CONTROL PANEL 800mm	f g till s/n 647
	0856827401	0C5078	CRUSCOTTO 800mm	CONTROL PANEL 800mm	f g since s/n 647
					see PDX2007-04
14	0518816900	*	PIOLINO M5 DIAM 6	PEG M5 DIAM 6	
15	0527850500	0C0156	PIASTRINA FACCIATA FIANCO	PLATE JOINTING	
16	0532806901	0C2964	PARASPRUZZI 400 mm	SPLASHBACK 400 mm	a b c f
	0532807101	0C2965	PARASPRUZZI 800 mm	SPLASHBACK 800 mm	d g
21	0835834900	002605	ACCENDITORE PIEZO	PIEZOELECTRIC IGNITER	
21a	0538809300	*	COPERTURA PIEZO	COVER, PIEZO	
22	0638883500	006514	CAVO ACCENDITORE	IGNITION CABLE	
23	0518801801	053342	MOLLA PER MARCHIO	SPRING, LABEL	
24	0548858401	0C0193	GHIERA RUBINETTO	KNOB RING, GAS TAP	a b d
	0548869600	0C2665	GHIERA VALVOLA EUROSIT	KNOB RING, GAS VALVE	c f
25	0548865600	0C1007	MANOPOLA RUBINETTO	KNOB, GAS TAP	a b d
	0548865700	0C1380	MANOPOLA VALVOLA GAS	KNOB, GAS VALVE	c f g
26	0218912211	069567	MOLLA FISSAGGIO GHIERA	SPRING, KNOB RING	
27	0851811201	0C2721	CASSETTO 400mm	DRAWER 400mm	a b c
	0851811301	0C2722	CASSETTO 800mm	DRAWER 800mm	d f g
28	0522898200	0C02527	GRIGLIA CAMINO	GRID CHIMNEY	
30	0516860700	0C0137	PIASTRINA UNIONE POST.	PLATE RERA JOINTING	
31	0805848201	055995	RASCHIETTO PIASTRA LISCIA	SCRAPER SMOOTH PLATE	c f g
	f164257	056940	SPATOLA PER PIASTRA RIGATA	PADDLE FOR RIBBED PLATE	
32	0506887400	056347	LAMA PER RASCHIETTO	BLADE FOR SCRAPER	
33	0830851300	056940	SPATOLA PER PIASTRA RIGATA	PADDLE FOR RIBBED PLATE	g
	f164255	055995	RASCHIETTO PIASTRA LISCIA	SCRAPER SMOOTH PLATE	

**FRY TOP GAS N700
GAS GRIDDLE N700**

Code	Model	Ref.	Code	Model	Ref.
178345	OR/G1FL	a	178350	OR/G2CL	f
178346	OR/G1FR	b	178357	OR/G2CM	g
178347	OR/G1CL	c			
178348	OR/G2FL	d			

Pos	Factory Code	6 Dgt Code	Descrizione	Description	Ref. / Notes
			Pagina 1	Page 1	
50	0533826502	*	CAMERA COMBUSTIONE 400mm	COMBUSTION CHAMBER 400mm	a b c
	0533826602	*	CAMERA COMBUSTIONE 800mm	COMBUSTION CHAMBER 800mm	d f
51	0533826702	*	PARETE ANTERIORE CAMINO 400mm	CHIMNEY FRONT PANEL 400mm	a b c
	0533826802	*	PARETE ANTERIORE CAMINO 800mm	CHIMNEY FRONT PANEL 800mm	d f
52	0528853401	*	DISTANZIALE CAMINO	CHIMNEY SPACER	
53	0528856300	*	CONVOGLIATORE ARIA LUNGO	AIR CONVECTION DEVICE	
53a	0528856200	*	CONVOGLIATORE ARIA CORTO		
54	0856801500	0C3067	RIBALTA 400mm	GAS MANIFOLD 400mm	a b
	0856801600	0C3068	RIBALTA 800mm	GAS MANIFOLD 800mm	d
	0856801700	0C3069	RIBALTA 400mm VALVOLATO	GAS MANIFOLD 400mm	c
	0856801800	0C3070	RIBALTA 800mm VALVOLATO	GAS MANIFOLD 800mm	f g
57	0835857201	0C0205	RUBINETTO GAS	GAS TAP	a b d
60	0830884101	005503	PILOTA	PILOT BURNER	
62	0830863300	059380	ELETTRODO	ELECTRODE	
63	0214164101	057960	RACCORDO ELETTRODO	PIPE FITTING, ELECTRODE	
64	0830883403	004591	BRUCIATORE	BURNER	
65	0215088100	052062	BOCCOLA REGOL.ARIA	BUSH FOR AIR REGULATION	
66	0830853101	051119	TERMOCOPPIA	THERMOCOUPLE	a b d
	0830852101	056914	TERMOCOPPIA INTERROTTA	INTERRUPTED THERMOCOUPLE	c f g
68	0511805801	059375	PORTAUGELLO	NOZZLE HOLDER	
69	0214105101	020997	CONTRODADO	LOCK NUT	
70	0806846001	0C5160	CONDUTTURA GAS 400mm	GAS PIPE 400 mm	a b
	0806846801	0C5159	CONDUTTURA GAS DESTRA 800mm	GAS PIPE RIGHT SIDE 800mm	d
71	0806846901	0C5163	CONDUTTURA GAS SINISTRA 800mm	GAS PIPE LEFT SIDE 800mm	d
	0806846101	0C5161	CONDUTT. SX GAS 400mmVALVOLATO	GAS PIPE LEFT SIDE 400mm	f g
	0806846201	0C5162	CONDUTT. DX GAS 400mmVALVOLATO	GAS PIPE RIGHT SIDE 400mm	c f g
72	0517896101	0C5046	CONDUTTURA PILOTA 400mm	PILOT GAS PIPE 400mm	a b
	0517896401	0C5070	CONDUTTURA PILOTA DESTRA 800mm	PILOT GAS PIPE RIGHT SIDE 800mm	d
	0517896200	*	CONDUTTURA PILOTA	PILOT GAS PIPE	c f g
73	0517896501	0C5071	COND. PILOTA SINISTRA 800mm	PILOT GAS PIPE LEFT SIDE 800mm	d
74	0214164400	052125	RACCORDO PILOTA	PIPE FITTING, PILOT	
75	0215199700	052127	BICONO PILOTA RUBINETTO	DOUBLE CONE, PILOT GAS TAP	
76	0517808700	059161	BICONO PILOTA	DOUBLE CONE, PILOT	
77	0514829301	0A2125	DADO PER TUBO	PIPE NUT	
	0214108111	041155	DADO VALVOLA	VALVE NUT	
78	0215073101	060325	BICONO BRUCIATORE	DOUBLE CONE VALVE	
79	0835826106	058772	VALVOLA EUROSIT	GAS VALVE	c f g
80	0835819400	056009	TAPPO VALVOLA	STOPPER FOR GAS VALVE	c f g
81	0646808600	004600	LIMITATORE TEMPERATURA	SAFETY THERMOSTAT	c f g
82	0548848401	004491	PROLUNGA MANOPOLA	EXTENSION KNOB	c f g