



## LAVASTOVIGLIE CAPPOTTINA HOOD TYPE DISHWASHER

### NHT8/ KHT8/ EHT8/ ZHT8I/ AHT8I/ EHT8I/ ZHT8TI/ EHT8TI

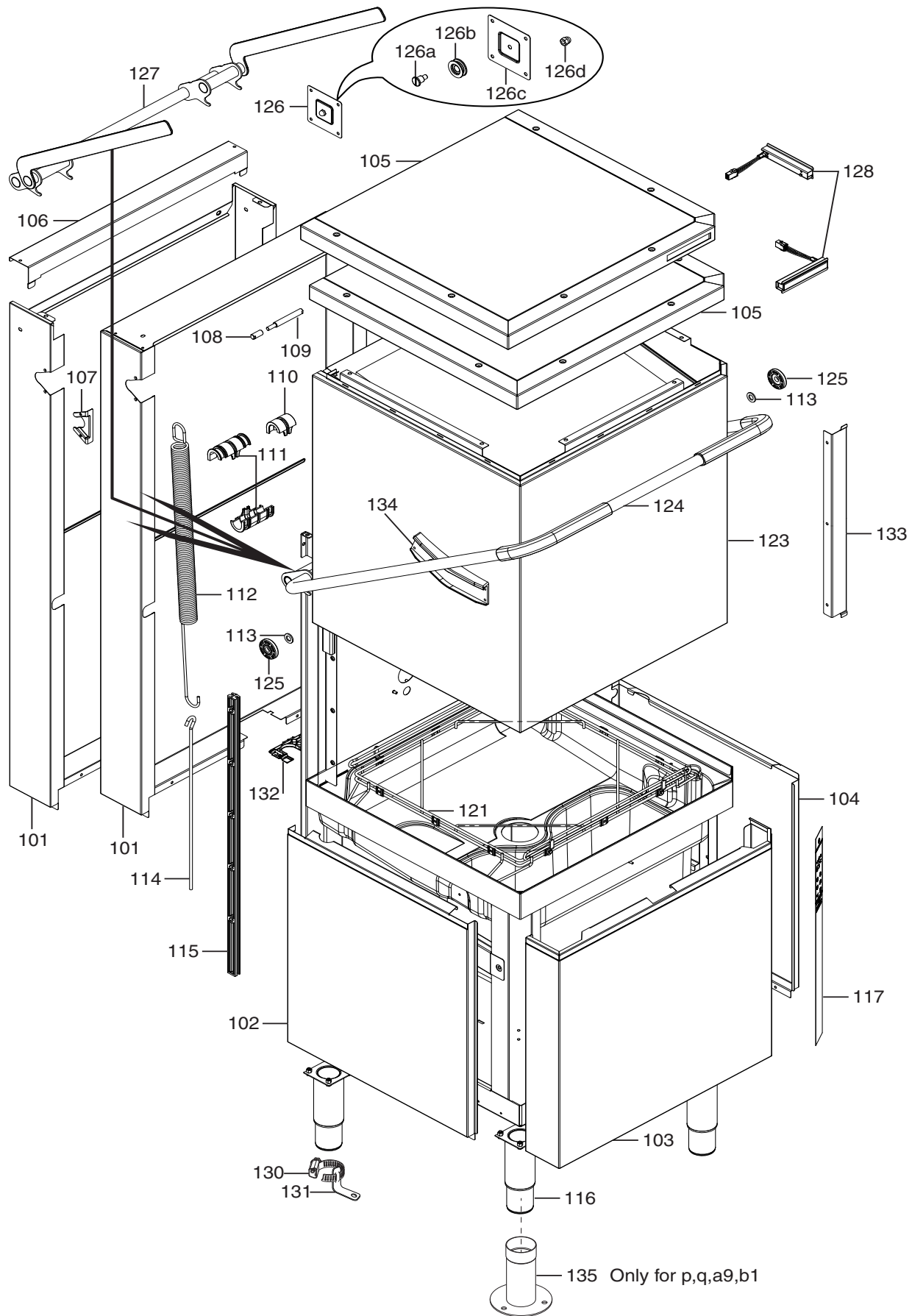
Code	Type	Ref.	Pagina/ Page	Code	Type	Ref.	Pagina/ Page
505070	NHT8G	a	2 3 4 5	504256	EHT8ILG	a1	2 3 4 5
505071	NHT8	b	2 3 4 5	504257	EHT8IWSG	a2	2 3 4 5
505072	NHT8WSG	c	2 3 4 5	504258	EHT8IG	a3	2 3 4 5
505066	NHT8ROW	d	2 3 4 5	504259	EHT8I	a4	2 3 4 5
505067	NHT8O	e	2 3 4 5	504260	EHT8IROW	a5	2 3 4 5
505068	NHT8ROW6	f	2 3 4 5	504261	EHT8IROW6	a6	2 3 4 5
505069	NHT8O6	g	2 3 4 5	504262	EHT8ILG4	a7	2 3 4 5
505083	NHT8GUK	h	2 3 4 5	504263	EHT8ILG8	a8	2 3 4 5
505084	NHT8DD	i	2 3 4 5	504264	EHT8IUSPH5	a9	2 3 4 5
505073	EHT8ROW	j	2 3 4 5	504265	EHT8IUSPH6	b1	2 3 4 5
505074	EHT8O	k	2 3 4 5	504267	EHT8IS	e2	2 3 4 5
505075	EHT8ROW6	l	2 3 4 5	504268	EHT8IELGJ	d9	2 3 4 5 7
505076	EHT8O6	m	2 3 4 5	504269	EHT8IELGJ6	e1	2 3 4 5 7
505077	EHT8J	n	2 3 4 5	504272	ZHT8IELG	b2	2 3 4 5 7
505078	EHT8J6	o	2 3 4 5	504273	ZHT8ILG	b3	2 3 4 5
505079	EHT8M	p	2 3 4 5	504274	ZHT8IWSG	b4	2 3 4 5
505080	EHT8M6	q	2 3 4 5	504275	ZHT8IG	b5	2 3 4 5
505081	KHT8	r	2 3 4 5	504276	ZHT8I	b6	2 3 4 5
505085	NHT8WSGUK	d2	2 3 4 5	504277	ZHT8IROW	b7	2 3 4 5
505086	NHT8LGUK	d3	2 3 4 5	504278	ZHT8IROW6	b8	2 3 4 5
505089	NHT8P	d4	2 3 4 5	504279	EHT8IELG4	c9	2 3 4 5 7
505090	HHT8	d5	2 3 4 5	504280	EHT8IELG8	d1	2 3 4 5 7
506069	NHTGRUK	d7	2 3 4 5	504283	NHT8ILG	c3	2 3 4 5
506070	NHT8LGRUK	d8	2 3 4 5	504284	NHT8IWSG	c4	2 3 4 5
504250	EHT8TIEL	s	2 3 4 5 6 7	504285	NHT8IG	c5	2 3 4 5
504251	EHT8TIL	t	2 3 4 5 6	504286	NHT8IELG	c6	2 3 4 5 7
504252	EHT8TIELG4	u	2 3 4 5 6 7	504287	NHT8IEWSG	c7	2 3 4 5 7
504253	EHT8TIELG8	v	2 3 4 5 6 7	504288	EHT8IELG6	c8	2 3 4 5 7
504270	ZHT8TIEL	w	2 3 4 5 6 7	504290	HHT8I	d6	2 3 4 5
504271	ZHT8TIL	x	2 3 4 5 6	698066	AHT8IWSG	b9	2 3 4 5
504254	EHT8IELG	y	2 3 4 5 7	698067	AHT8IG	c1	2 3 4 5
504255	EHT8IEWSG	z	2 3 4 5 7	698068	AHT8I	c2	2 3 4 5
<b>Pagina/ Page</b>	<b>Indice/ index</b>			<b>Pagina/ Page</b>	<b>Indice/ index</b>		
3	Vista generale / Main view			7	Componenti versione automatica / Automatic version components		
4	Componenti idraulici / Hydraulic components			8	Componenti ESD / ESD components		
5	Circuito idraulico/ Hydraulic circuit			9-20	Lista ricambi / Spare parts list		
6	Componenti elettrici / Electrical components						

**Marchio/ Brand: Z - E - A**  
**Paese/ Country: Tutti/ All**

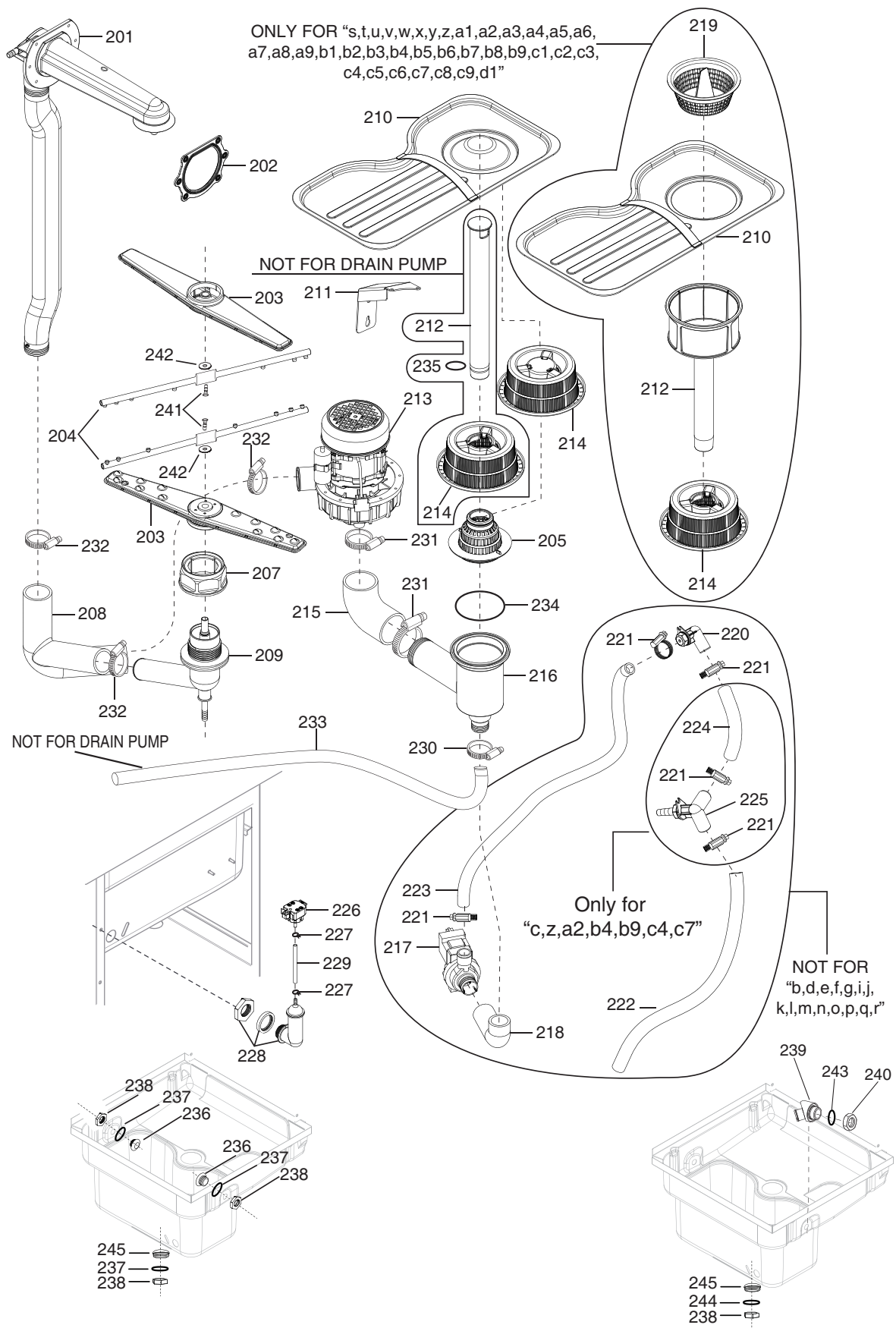
Da Ser.Nr./From Ser.nr.: 305

Code	Type	Ref.	Pagina/ Page	Code	Type	Ref.	Pagina/ Page
505091	XHT8G	e3	2 3 4 5	504246	XHT8I	e4	2 3 4 5
505096	NHT8S	e5	2 3 4 5				

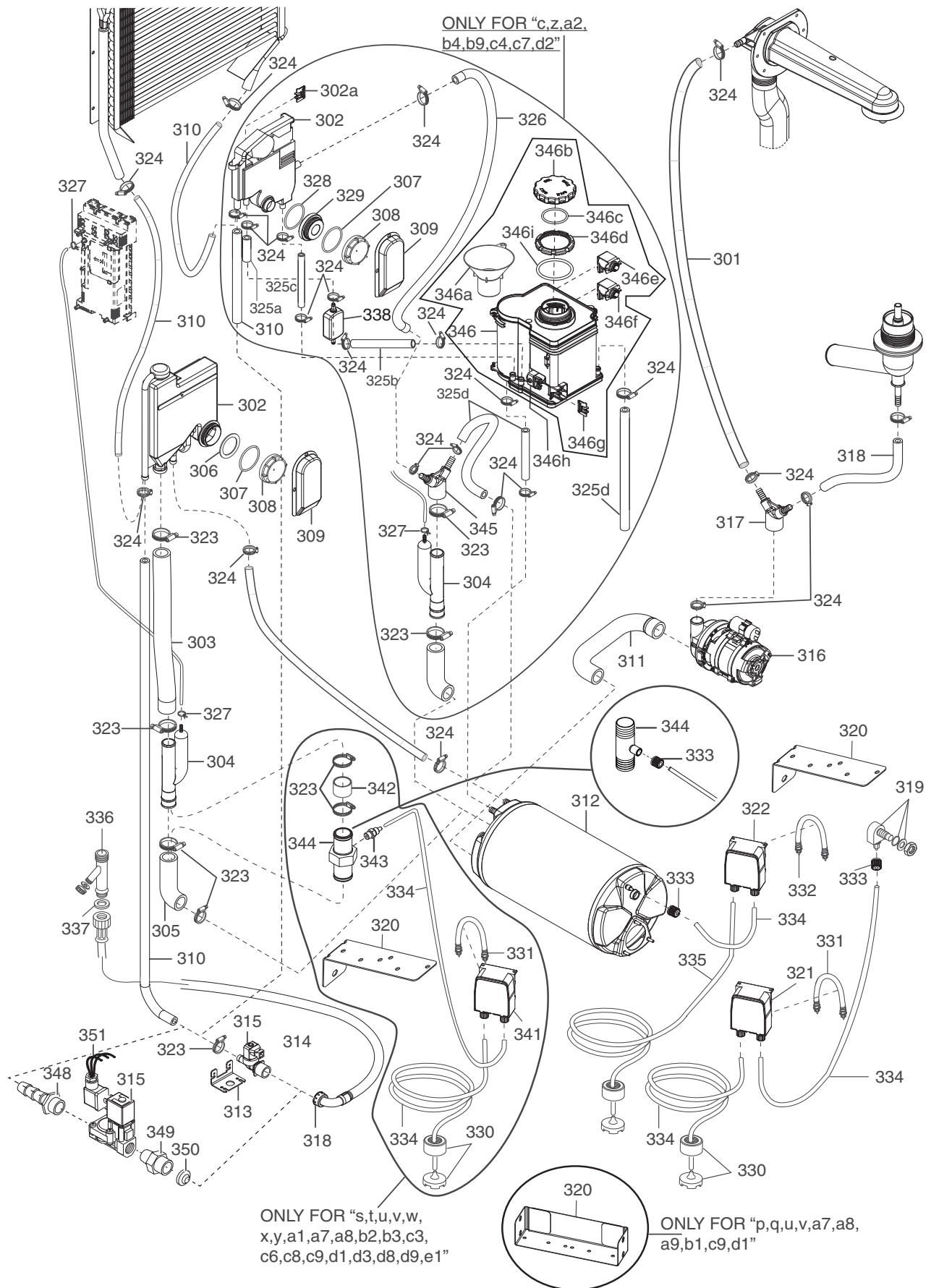
Pagina/ Page	Indice/ index	Pagina/ Page	Indice/ index
3	Vista generale / Main view	7	Componenti versione automatica / Automatic version components
4	Componenti idraulici / Hydraulic components	8	Componenti ESD / ESD components
5	Circuito idraulico/ Hydraulic circuit	9-20	Lista ricambi / Spare parts list
6	Componenti elettrici / Electrical components		



iii. 595668W00\_p1  
 Vista generale / Main view

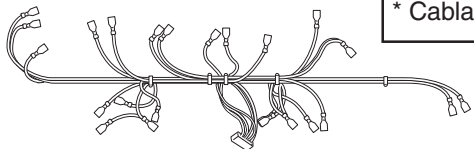


**iii. 595668W00\_p2**  
**Componenti idraulici / Hydraulic components**

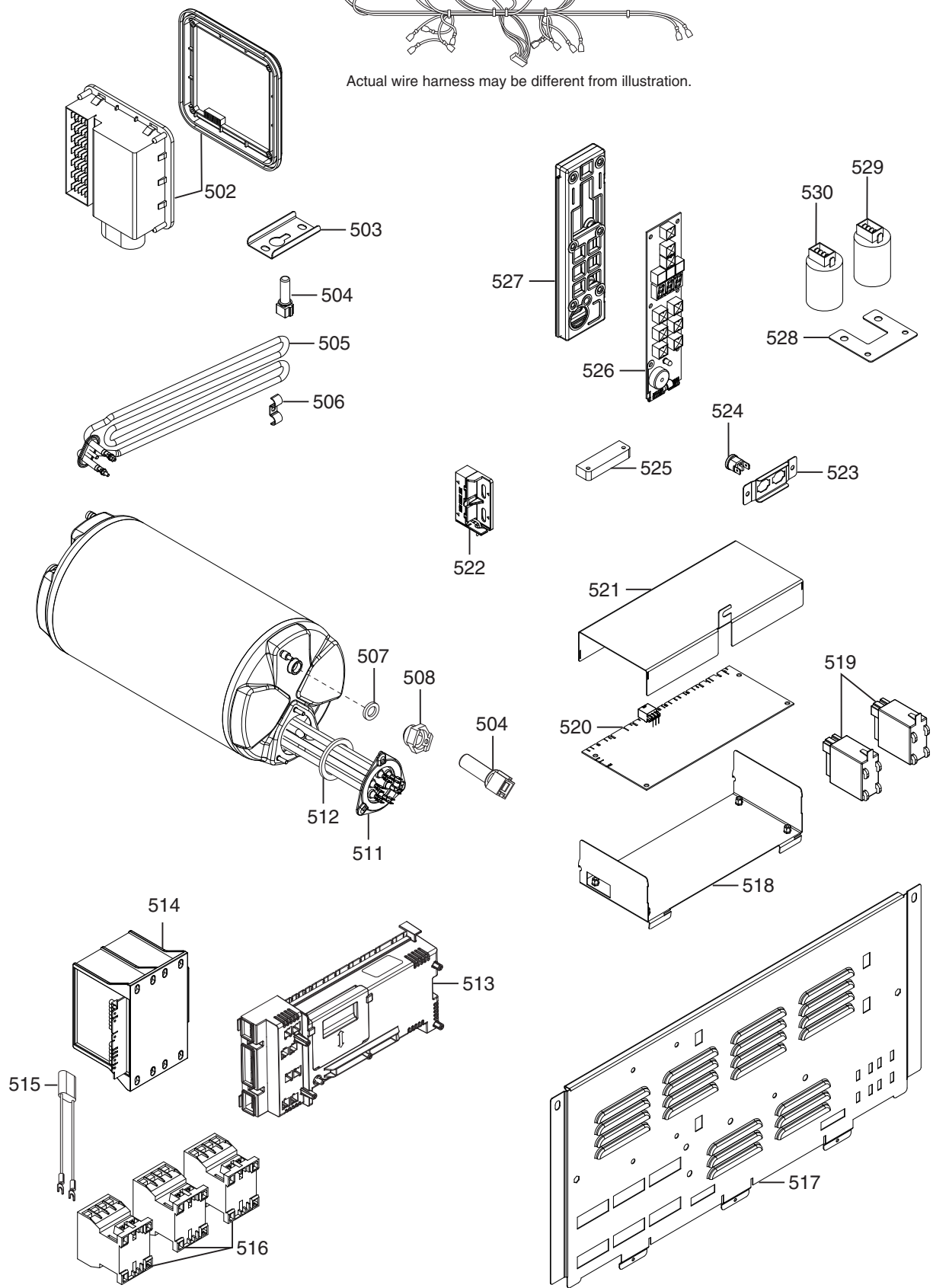


**iii. 595668W00\_p3**  
**Circuito idraulico/ Hydraulic circuit**

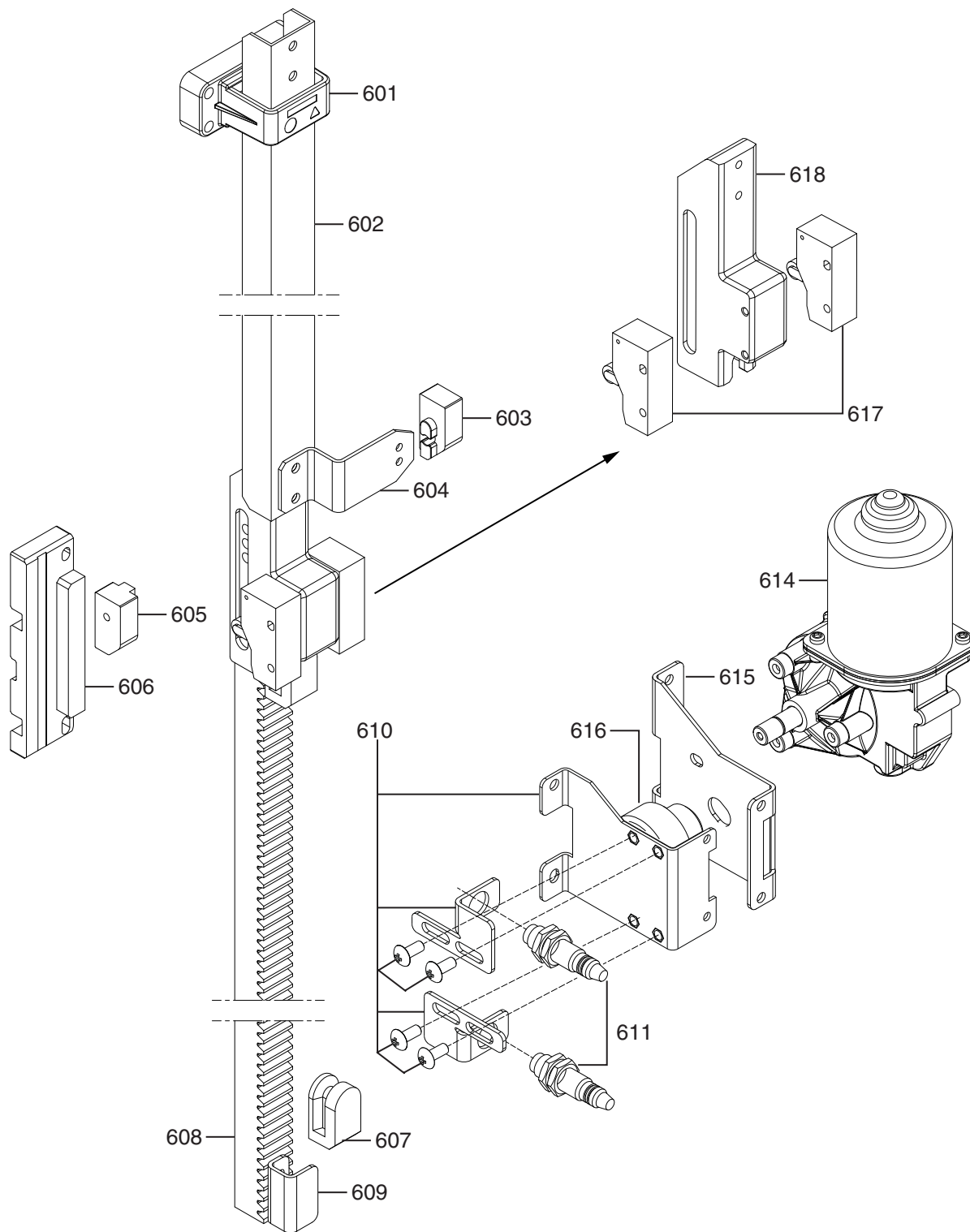
\* Cablaggio/Wiring harness: 590



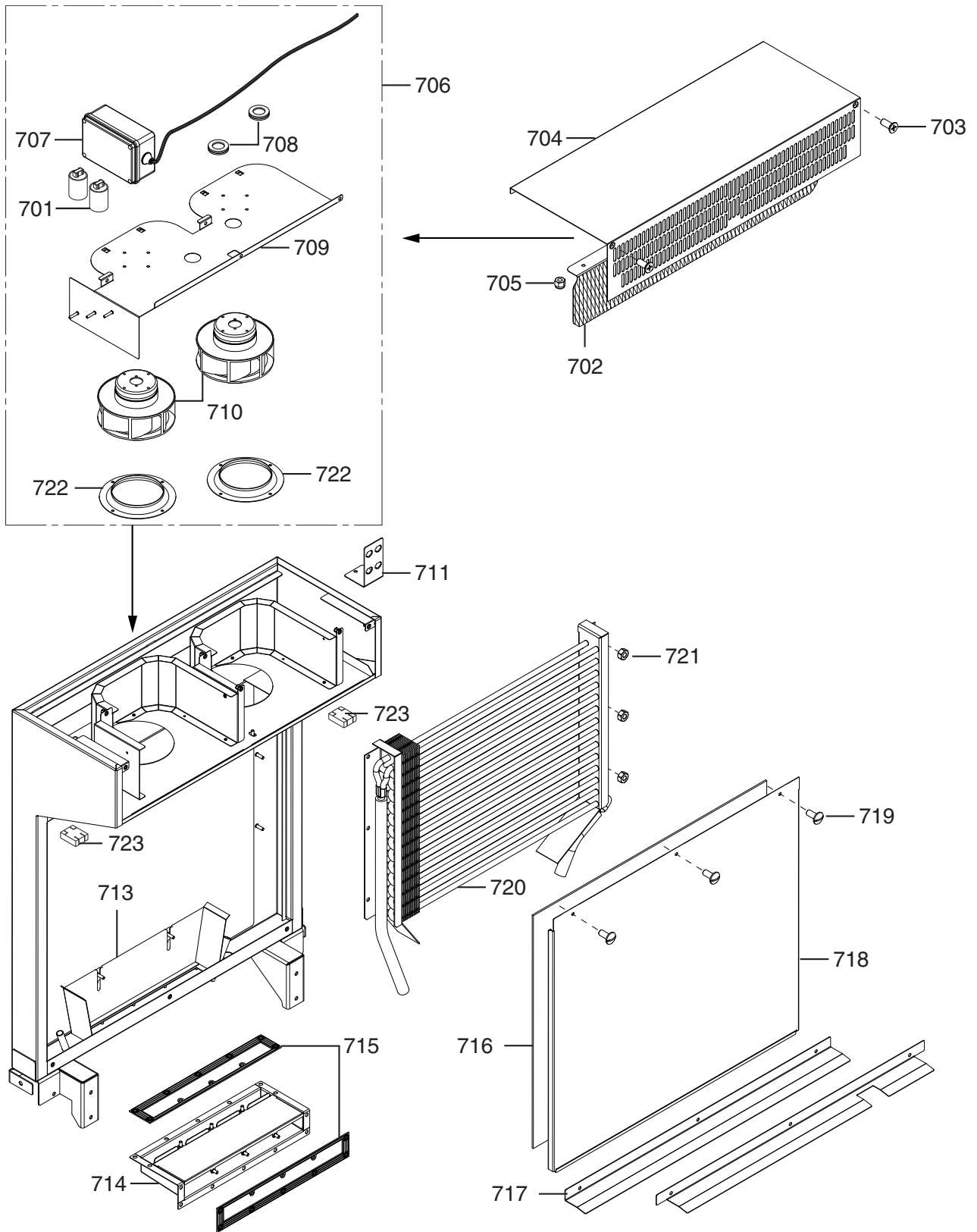
Actual wire harness may be different from illustration.



iii. 595668W00\_p4  
Componenti elettrici / Electrical components



**iii. 595668W00\_p5**  
**Componenti versione automatica / Automatic version components**



iii. 595668W00\_p6  
 Componenti ESD / ESD components

LAVASTOVIGLIE CAPPOTTINA NHT8/KHT8/EHT8/ZHT8/AHT8/EHT8/ZHT8TI/ EHT8TI				Grassetto = variazioni
HOOD TYPE DISHWASHER NHT8/KHT8/EHT8/ZHT8/AHT8/EHT8/ZHT8TI/ EHT8TI				Bold Print = changes
Pos.	Cod.ric. Part No.	Descrizione	Description	Note / Notes
		<b>Pagina 3: Vista generale</b>	<b>Page 3: Main view</b>	<b>ill. 595668W00_p1</b>
101	<a href="#">0L2777</a>	Schienale	Back panel	s,u,v,w
101	<a href="#">0L2778</a>	Schienale	Back panel	t,x,
101	<a href="#">0L2779</a>	Schienale	Back panel	y,z,b2,c6,c7,c8,c9,d1,d9, e1
101	<a href="#">0L2780</a>	Schienale	Back panel	a1,a2,a3,a4a5,a6,a7, a8,b3,b4,b5,b6,b7,b8,d, e,f,g,a,b,c,j,k,l,m,n,o,p,q,r ,h,i,b9,c1,c2,c5,c4,c3,d2, d3,d4,d5,d6,d7,d8
101	<a href="#">0L2781</a>	Schienale	Back panel	a9,b1
101	<a href="#">0L3076</a>	Schienale	Back panel	e2,e5
102	<a href="#">0L2782</a>	Pannello laterale sinistro	Left side panel	
103	<a href="#">0L2783</a>	Pannello comandi	Control panel	
104	<a href="#">0L2784</a>	Pannello laterale destro	Right side panel	
105	<a href="#">0L2785</a>	Coperchio	Cover	s,t,u,v
105	<a href="#">0L2786</a>	Coperchio	Cover	y,z,a1,a2,a3,a4,a5,a6, a7,a8,a9,b1,c8,c9,d1,d9, e1,e2
105	<a href="#">0L2787</a>	Coperchio	Cover	w,x
105	<a href="#">0L2788</a>	Coperchio	Cover	b2,b3,b4,b5,b6,b7,b8, b9,c1,c2,d6
105	<a href="#">0L2981</a>	Coperchio	Cover	c3,c4,c5,c6,c7
106	<a href="#">0L2789</a>	Copertura schienale	Back panel cover	y,z,b2,c6,c7,c8,c9,d1,d9, e1
107	<a href="#">0L2790</a>	Protezione schienale	Back panel protection	
108	<a href="#">0L2791</a>	Perno di chiusura	Lock pin	
109	<a href="#">0L2792</a>	Perno	Pin	
110	<a href="#">0L2793</a>	Boccola per molla	Spring bush	
111	<a href="#">0L2794</a>	Boccola per molla	Spring bush	
112	<a href="#">049582</a>	Molla	Spring	for double skin
112	<a href="#">0L0057</a>	Molla	Spring	for single skin
113	<a href="#">0TH042</a>	Rondella 13X24	Washer 13X24	
114	<a href="#">0L2796</a>	Tendimolla	Spring stretcher	a,b,c,d,e,f,g,h,i,j,k,l,m,n, o,p,q,r,d2,d3,d4,d5,d7,d8
114	<a href="#">0L2797</a>	Tendimolla	Spring stretcher	s,t,u,v,w,x,y,z,a1,a2,a3, a4,a5,a6,a7,a8,a9,b1, b2,b3,b4,b5,b6,b7,b8, b9,c1,c2,c6,c7,c5,c4,c3, c8,c9,d1,d6,d9,e1,e2
115	<a href="#">0L2798</a>	Guida cappotta	Hood guide	
116	<a href="#">048579</a>	Piede	Foot	Up to Ser. Nr.: 409
116	<a href="#">0L3203</a>	Piede	Foot	From to Ser. Nr.: 410
117	<a href="#">0L2799</a>	Membrana	User interface label	y,z,a1,a2,a3,a4,a5,a6, a7,a8,a9,b1,c8,c9,d1,d9, e1,e2

LAVASTOVIGLIE CAPPOTTINA NHT8/KHT8/EHT8/ZHT8/AHT8/EHT8/ZHT8TI/ EHT8TI				Grassetto = variazioni
HOOD TYPE DISHWASHER NHT8/KHT8/EHT8/ZHT8/AHT8/EHT8/ZHT8TI/ EHT8TI				Bold Print = changes
Pos.	Cod.ric. Part No.	Descrizione	Description	Note / Notes
117	<a href="#">0L2803</a>	Membrana	User interface label	c3,c4,c5,c6,c7
117	<a href="#">0L2800</a>	Membrana	User interface label	s,t,u,v
117	<a href="#">0L2801</a>	Membrana	User interface label	b2,b3,b4,b5,b6,b7,b8,
117	<a href="#">0L2802</a>	Membrana	User interface label	w,x
117	<a href="#">0L2803</a>	Membrana	User interface label	d,e,f,g,a,b,c,h,i,d2,d3,d4, d7,d8
117	<a href="#">0L2804</a>	Membrana	User interface label	j,k,l,m,n,o,p,q
117	<a href="#">0L2805</a>	Membrana	User interface label	b9,c1,c2
117	<a href="#">0L2806</a>	Membrana	User interface label	r
117	<a href="#">0L3367</a>	Membrana	User interface label	d5,d6
117	<a href="#">0L3594</a>	Membrana	User interface label	e3,e4
121	<a href="#">0L2807</a>	Guida cesto	Rack rail	
123	<a href="#">0L2808</a>	Cappotta	Hood	s,t,u,v,w,x
123	<a href="#">0L2809</a>	Cappotta	Hood	y,z,a1,a2,a3,a4,a5,a6, a7,a8,a9,b1,b2,b3,b4,b5, b6,b7,b8,b9,c1,c2,c6,c7, c5,c4,c3,c8,c9,d1,d6,d9, e1,e2
123	<a href="#">0L2810</a>	Cappotta	Hood	a,b,c,d,e,f,g,h,i,j,k,l,m,n, o,p,q,r,d2,d3,d4,d5,d7,d8
124	<a href="#">0L2811</a>	Maniglione	Handle	s,t,u,v,w,x,y,z,a1,a2,a3,a 4,a5,a6,a7,a8,a9,b1,c8, c9,d1,d9,e1,e2
124	<a href="#">0L2967</a>	Maniglione	Handle	a,b,c,d,e,f,g,h,i,j,k,l,m,n,o ,p,q,r,b2,b3,b4,b5,b6,b7, b8,b9,c1,c2,c3,c4,c5,c6, c7,d2,d3,d4,d5,d6,d7,d8
125	<a href="#">049598</a>	Rotella	Washer	
126	<a href="#">0L2812</a>	Supporto rotella cappotta	Hood roller support	s,t,u,v,w,x
126a	<a href="#">0L2813</a>	Perno	Pin	
126b	<a href="#">0L2814</a>	Rotella	Roller	s,t,u,v,w,x
126c	<a href="#">0L2815</a>	Supporto rotella	Washer support	s,t,u,v,w,x
126d	<a href="#">0L2816</a>	Dado a calotta M8	Domed cap nut M8	
127	<a href="#">0L2817</a>	Braccio guida cappotta	Hood rail arm	
128	<a href="#">0L3451</a>	Led bar	Led bar	
130	<a href="#">0L2463</a>	Fascetta 50-70	Hose clamp 50-70	
131	<a href="#">0L2464</a>	Squadretta di fissaggio	Floor fixing bracket	
132	<a href="#">0L0112</a>	Copertura passatubi	Hoses protection	
133	<a href="#">0L2820</a>	Protezione laterale	Side Protection	Up to Ser. Nr.: 5281 s,t,u,v,w,x
133	<a href="#">0L3611</a>	Protezione laterale sx	Left side protection	From Ser. Nr: 5291 s,t,u,v,w,x
133	<a href="#">0L3612</a>	Protezione laterale dx	Right side protection	s,t,u,v,w,x
134	<a href="#">049597</a>	Guida maniglia	Guide handle	Not for "s,t,u,v,w,x"
135	<a href="#">0L1452</a>	Piede Marine	Marine Foot	Up to SerNr.: 4241 p,q,a9,b1

LAVASTOVIGLIE CAPPOTTINA NHT8/KHT8/EHT8/ZHT8/AHT8/EHT8/ZHT8TI/ EHT8TI HOOD TYPE DISHWASHER NHT8/KHT8/EHT8/ZHT8/AHT8/EHT8/ZHT8TI/ EHT8TI				Grassetto = variazioni Bold Print = changes
Pos.	Cod.ric. Part No.	Descrizione	Description	Note / Notes
135	<a href="#">0L3347</a>	Piede Marine	Marine Foot	From to Ser.Nr.: 4251 p,q,a9,b1
		<b>Pagina 3: Componenti idraulici</b>	<b>Page 3: Hydraulic components</b>	<b>ill. 595668W00_p2</b>
201	<a href="#">0L2821</a>	Supporto braccio lavaggio	Wash arm support	Up to Ser. Nr: 4491
201	<a href="#">0L3470</a>	Supporto braccio lavaggio	Wash arm support	From Ser. Nr: 4501
202	<a href="#">0L2822</a>	Guarnizione	Gasket	
203	<a href="#">0L2823</a>	Braccio lavaggio	Wash arm	
204	<a href="#">0L2095</a>	Braccio risciacquo	Rinse arm	
205	<a href="#">0L2824</a>	Filtro di protezione	Protection filter	Up to Ser. Nr: 5281
205	<a href="#">0L3586</a>	Filtro di protezione	Protection filter	From Ser. Nr: 5291
207	<a href="#">048237</a>	Ghiera	Ring nut	
208	<a href="#">0L2825</a>	Manicotto	Hose coupling	
209	<a href="#">048235</a>	Supporto getti inferiore	Lower jets support	
210	<a href="#">0L2826</a>	Filtro vasca	Tank filter	a,b,c,d,e,f,g,h,i,j,k,l,m,n, o,p,q,r,d2,d3,d4,d5,d7,d8
210	<a href="#">0L2827</a>	Filtro vasca	Tank filter	s,t,u,v,w,x,y,z,a1,a2,a3, a4,a5,a6,a7,a8,a9,b1, b2,b3,b4,b5,b6,b7,b8, b9,c1,c2,c6,c7,c5,c4,c3, c8,c9,d1,d6,d9,e1,e2
211	<a href="#">0L2828</a>	Supporto pompa	Pump support	Up to Ser.Nr: 5071
211	<a href="#">0L3523</a>	Supporto pompa	Pump support	From Ser.Nr: 5081
212	<a href="#">0L2829</a>	Troppopieno	Overflow pipe	b,d,e,f,g,i,j,k,l,m,n,o,p,q,r, d4,d5
212	<a href="#">0L2830</a>	Troppopieno con filtro	Overflow pipe with filter	s,t,u,v,w,x,y,z,a1,a2,a3, a4,a5,a6,a7,a8,a9,b1, b2,b3,b4,b5,b6,b7,b8, b9,c1,c2,c6,c7,c5,c4,c3, c8,c9,d1,d6,d9,e1,e2
213	<a href="#">0L2831</a>	Pompa lavaggio (230V/1N/50HZ)	Wash pump (230V/1N/50HZ)	Not for "f,g,l,m,u,v,a6,a7,a8,b8, c8,e1"
213	<a href="#">0L2832</a>	Pompa lavaggio (230V/1N/60HZ)	Wash pump (230V/1N/60HZ)	f,g,l,m,a6,b8,c8,e1
213	<a href="#">0L2833</a>	Pompa lavaggio (208-240V/1N/ 60HZ)	Wash pump (208-240V/1N/60HZ)	u,v,a7,a8,c9,d1
213	<a href="#">0L3528</a>	Pompa lavaggio (200V/1N/50HZ)	Wash pump (200V/1N/50HZ)	d9
213	<a href="#">0L3529</a>	Pompa lavaggio (200V/1N/50HZ)	Wash pump (200V/1N/50HZ)	e1
213	<a href="#">0L3599</a>	Pompa lavaggio (440V/3/60HZ)	Wash pump (440V/3/60HZ)	q,b1
214	<a href="#">0L2834</a>	Filtro aspirazione pompa	Pump suction filter	Not for "a,c,h,d2,d3,d7, d8"
214	<a href="#">0L2835</a>	Filtro aspirazione pompa	Pump suction filter	a,c,h,d2,d3,d7,d8
215	<a href="#">0L2836</a>	Manicotto aspirazione pompa	Pump suction elbow	Up to 5401

LAVASTOVIGLIE CAPPOTTINA NHT8/KHT8/EHT8/ZHT8/AHT8/EHT8/ZHT8TI/ EHT8TI				Grassetto = variazioni
HOOD TYPE DISHWASHER NHT8/KHT8/EHT8/ZHT8/AHT8/EHT8/ZHT8TI/ EHT8TI				Bold Print = changes
Pos.	Cod.ric. Part No.	Descrizione	Description	Note / Notes
215	<a href="#">0L3628</a>	Manicotto aspirazione pompa	Pump suction elbow	Only for u,v,a7,a8,b1,c9,d1,p,e1, o,d9,h From ser 5441
216	<a href="#">0L2837</a>	Collettore aspirazione pompa	Pump suction manifold	
217	<a href="#">0L2838</a>	Pompa scarico	Drain pump	Not for "b,d,e,f,g,i,j,k,l,m, n,o,p,q,r,d4,d5"
218	<a href="#">0L2839</a>	Gomito	Elbow	Not for "b,d,e,f,g,i,j,k,l,m, n,o,p,q,r,d4,d5"
219	<a href="#">0L2840</a>	Cestello per filtering system	Filtrng system basket	Only for "s,t,u,v,w,x,y,z, a1,a2,a3,a4,a5,a6,a7, a8,a9,b1,b2,b3,b4,b5, b6,b7,b8,b9,c1,c2,c6,c7, c5,c4,c3,c8,c9,d1,d6,d9, e1,e2
220	<a href="#">0L2729</a>	Valvola di sfiato	Vent valve	Not for "b,d,e,f,g,i,j,k,l,m, n,o,p,q,r,d4,d5"
221	<a href="#">047578</a>	Fascetta 25-40/9	Hose clamp 25-40/9	Not for "b,d,e,f,g,i,j,k,l,m, n,o,p,q,r,d4,d5"
222	<a href="#">0L2841</a>	Tubo	Pipe	Not for "b,d,e,f,g,i,j,k,l,m, n,o,p,q,r,d4,d5"
223	<a href="#">0L2842</a>	Tubo	Pipe	Not for "b,d,e,f,g,i,j,k,l,m, n,o,p,q,r,d4,d5"
224	<a href="#">0L2843</a>	Tubo	Pipe	c,z,a2,b4,b9,c7,c4,d2
225	<a href="#">0L2844</a>	Valvola di sfiato	Vent valve	c,z,a2,b4,b9,c7,c4,d2
226	<a href="#">0L2845</a>	Sensore	Sensor	
227	<a href="#">0L0082</a>	Fascetta 7,3-7,8	Hose clamp 7,3-7,8	
228	<a href="#">0L2846</a>	Trappola d'aria vasca	Tank air trap	
229	<a href="#">072393</a>	Tubo 4X7,4	Pipe 4X7,4	30 mm
230	<a href="#">046878</a>	Fascetta 35-50/9	Hose clamp 35-50/9	
231	<a href="#">046853</a>	Fascetta 60-80/9	Hose clamp 60-80/9	
232	<a href="#">046855</a>	Fascetta 50-70/9	Hose clamp 50-70/9	
233	<a href="#">049856</a>	Tubo di scarico	Drain hose	Only for "b,d,e,f,g,i,j,k,l,m,n,o,p,q, r,s,t,w,x,a4,a5,a6,a9,b1, b6,b7,b8,c2,d4,d5,d6,e2
234	<a href="#">049894</a>	O-Ring NBR 110X4mm	O-Ring NBR 110X4mm	
235	<a href="#">0L2359</a>	O-Ring - 2,62 X 32,99mm	O-Ring - 2,62 X 32,99mm	b,d,e,f,g,i,j,k,l,m,n,o,p,q,r, d4,d5
236	0L2114	Tappo a calotta AISI 303 - M20x1.5mm	Calotte plug AISI 303 - M20x1.5mm	s,t,u,v,a7,a8,c9,d1,e2, e5
237	<a href="#">0L2302</a>	2081O-Ring in silicone - 1.78x20.35mm	Silicone 2081 O-Ring - 1.78x20.35mm	u,v,a7,a8,c9,d1
238	<a href="#">0L2115</a>	Controdado in ottone - M20x1.5mm	Brass nut - M20x1.5mm	u,v,a7,a8,c9,d1,e2,e5
239	<a href="#">0L3074</a>	Iniettore detersivo solido	Powder detergent injection	s,t,e2,e5
240	<a href="#">0L1086</a>	Dado fissaggio iniettore	Fixing injection nut	s,t,e2,e5
241	<a href="#">048290</a>	Perno braccio di risciacquo	Rinse arm pin	

LAVASTOVIGLIE CAPPOTTINA NHT8/KHT8/EHT8/ZHT8/AHT8/EHT8/ZHT8TI/ EHT8TI HOOD TYPE DISHWASHER NHT8/KHT8/EHT8/ZHT8/AHT8/EHT8/ZHT8TI/ EHT8TI				Grassetto = variazioni Bold Print = changes
Pos.	Cod.ric. Part No.	Descrizione	Description	Note / Notes
242	048632	Ghiera di fissaggio	Knurlet ring nut	
243	046799	OR 3100-2,62X25,07-NZGI-6M1920	OR 3100-2,62X25,07-NZGI-6M1920	e2,e5
244	0L2166	OR 2081 1.78X20.35	OR 2081 1.78X20.35	s,t,e2,e5
245	0L2114	Tappo a calotta AISI 303 - M20x1.5mm	Calotte plug AISI 303 - M20x1.5mm	Only for s,t,u,v,a7,a8,c9,d1,e2, e5 Up to 5401
245	0L3627	Tappo a calotta AISI 303 con intaglio - M20x1.5mm	Calotte plug AISI 303 with notch - M20x1.5mm	Only for s,t,u,v,a7,a8,c9,d1,e2, e5 From 5411
		<b>Pagina 4: Circuito idraulico</b>	<b>Page 4: Hydraulic circuit</b>	<b>ill. 595668W00_p3</b>
301	048531	Tubo	Pipe	1310 mm
302	049481	Salto in aria	Air gap	Not for "c,z,a2,b4,b9,c7,c4,d2"
302	0L2847	Salto in aria	Air gap	c,z,a2,b4,b9,c7,c4,d2
302a	0L2959	Sensore reed per salto in aria	Air gap reed sensor	c,z,a2,b4,b9,c7,c4,d2
303	049287	Tubo	Pipe	410 mm
304	0L2849	Trappola d'aria	Air trap	
305	049880	Manicotto trappola d'aria	Air trap sleeve	Not for "c,z,a2,b4,b9,c7,c4,d2"
305	0L2851	Manicotto trappola d'aria	Air trap sleeve	c,z,a2,b4,b9,c7,c4,d2
306	049828	Guarnizione	Gasket	
307	049460	OR	O-ring	
308	049480	Ghiera	Ring nut	
309	0L2560	Protezione ghiera	Ring nut protection	
310	0L3064	Tubo	Pipe	1400 mm
311	0L2852	Manicotto aspirazione pompa	Pump suction sleeve	
312	0L2853	Boiler (AISI 304 - 1 foro)	Boiler (AISI 304 - 1 hole)	a,b,h,i,n,o,p,q,r,s,t,w,x,y, a1,a3,a4,a9,b1,b2,b3,b5, b6,c1,c2,c6,c3,c8,c9,d1, d3,d4,d5,d6,d7,d8,d9,e1, e2
312	0L2854	Boiler (AISI 304 - 2 fori)	Boiler (AISI 304 - 2 holes)	d,f,j,l,u,v,a5,a6,a7,a8,b7, b8
312	0L2855	Boiler (AISI 316 - 2 fori)	Boiler (AISI 316 - 2 holes)	e,g,k,m
312	0L2856	Boiler (AISI 304 - 1 foro)	Boiler (AISI 304 - 1 hole)	c,z,a2,b4,b9,c7,c4,d2
313	0TH116	Supporto elettrovalvola	Solenoid valve support	
315	0L0776	Elettrovalvola (220V-240V)	Solenoid valve (220V-240V)	Not for "n,o,u,v,a7,a8"
315	0L2656	Elettrovalvola (208V-240V)	Solenoid valve (208V-240V)	u,v,a7,a8,c9,d1
315	0L2857	Elettrovalvola (200V)	Solenoid valve (200V)	n,o
315	0L2960	Elettrovalvola (220V-240V)	Solenoid valve(220V-240V)	Up to Ser. Nr: 3521
315	0L3450	Elettrovalvola (220V-240V)	Solenoid valve(220V-240V)	From Ser Nr: 4011
315	0L2857	Elettrovalvola (200V)	Solenoid valve (200V)	d9,e1

LAVASTOVIGLIE CAPPOTTINA NHT8/KHT8/EHT8/ZHT8/AHT8/EHT8/ZHT8TI/ EHT8TI HOOD TYPE DISHWASHER NHT8/KHT8/EHT8/ZHT8/AHT8/EHT8/ZHT8TI/ EHT8TI				Grassetto = variazioni Bold Print = changes
Pos.	Cod.ric. Part No.	Descrizione	Description	Note / Notes
316	0L2858	Pompa risciacquo (230V/1N/50HZ)	Rinse pump (230V/1N/50HZ)	Up to Ser.Nr: 4471 "a,b,c,d,e,j,k,i,h,r,s,t,w,x, y,z,a1,a2,a3,a4,a5,b2,b3 ,b4,b5,b6,b7,b9,c1,c2,c6, c7,c5,c4,c3,d2,d3,d4,d5, d6,d7,d8,d9,e2"
316	<b>0L1079</b>	Pompa risciacquo (230V/1N/50HZ)	Rinse pump (230V/1N/50HZ)	From to Ser.Nr: 4481 "a,b,c,d,e,j,k,i,h,r,s,t,w,x, y,z,a1,a2,a3,a4,a5,b2,b3 ,b4,b5,b6,b7,b9,c1,c2,c6, c7,c5,c4,c3,d2,d3,d4,d5, d6,d7,d8,e2"
316	<b>0L2859</b>	Pompa risciacquo (230V/1N/60HZ)	Rinse pump (230V/1N/60HZ)	f,g,l,m,a6,b8,c8
316	<b>0L2860</b>	Pompa risciacquo (208-240V/1N/60HZ)	Rinse pump (208-240V/1N/60HZ)	u,v,a7,a8,c9,d1
316	<b>0L2861</b>	Pompa risciacquo (200V/1N/50HZ)	Rinse pump (200V/1N/50HZ)	n,d9
316	<b>0L2862</b>	Pompa risciacquo (200V/1N/60HZ)	Rinse pump (200V/1N/60HZ)	o,e1
316	<b>0L2863</b>	Pompa risciacquo (400V/3/50HZ)	Rinse pump (400V/3/50HZ)	p,a9
316	<b>0L2864</b>	Pompa risciacquo (400V/3/60HZ)	Rinse pump (400V/3/60HZ)	q,b1
317	0L2865	Raccordo 2 vie	3 ways connection	
318	<b>0L1887</b>	Tubo	Pipe	320 mm
319	<b>049801</b>	Iniettore detersivo	Detergent injection	a,c,h,i,s,t,u,v,y,z,a1,a2, a3,a7,a8,b2,b3,b4,b5,b9, c1,c6,c7,c5,c4,c3,c8,d2, d3,d7,d8,d9,e1
320	<b>0L2866</b>	Supporto pompe peristaltiche	Peristaltic pumps support	
320	<b>0L3524</b>	Supporto pompe peristaltiche	Peristaltic pumps support	Only for "p,q,u,v,a7,a8, a9,b1,c9,d1",
321	<b>0S1711</b>	Pompa detergente	Detergent pump	Up to Ser. Nr: 5501 a,c,h,i,s,t,y,z,a1,a2, a3,b2,b3,b4,b5,b9,c1,c6, c7,c5,c4,c3,c8,d2,d3,d7, d8,d9,e1
<b>321</b>	<b>0S1986</b>	<b>Pompa detergente</b>	<b>Detergent pump</b>	<b>From Ser.Nr: 5511 a,c,h,i,s,t,y,z,a1,a2, a3,b2,b3,b4,b5,b9,c1,c6 ,c7,c5,c4,c3,c8,d2,d3,d 7,d8,d9,e1</b>
321	<b>0S1712</b>	Pompa detergente	Detergent pump	Up to Ser. Nr: 5501 u,v,a7,a8,c9,d1
<b>321</b>	<b>0S1988</b>	<b>Pompa detergente</b>	<b>Detergent pump</b>	<b>From Ser.Nr: 5511 u,v,a7,a8,c9,d1</b>
321	<b>0L3530</b>	Pompa detergente	Detergent pump	Up to Ser. Nr: 5501 d9,e1
<b>321</b>	<b>0L3655</b>	<b>Pompa detergente</b>	<b>Detergent pump</b>	<b>From Ser.Nr: 5511 d9,e1</b>

LAVASTOVIGLIE CAPPOTTINA NHT8/KHT8/EHT8/ZHT8/AHT8/EHT8/ZHT8TI/ EHT8TI HOOD TYPE DISHWASHER NHT8/KHT8/EHT8/ZHT8/AHT8/EHT8/ZHT8TI/ EHT8TI				Grassetto = variazioni Bold Print = changes
Pos.	Cod.ric. Part No.	Descrizione	Description	Note / Notes
322	0S1713	Pompa brillantante	Rinse aid pump	Up to Ser. Nr: 5501 Not for "d,e,f,g,j,k,l,m,n,o, a5,a6,b7,b8,c2"
<b>322</b>	<b>0S1989</b>	<b>Pompa brillantante</b>	<b>Rinse aid pump</b>	<b>From Ser.Nr: 5511</b> <b>Not for</b> <b>"d,e,f,g,j,k,l,m,n,o,</b> <b>a5,a6,b7,b8,c2"</b>
322	0L3330	Pompa brillantante	Rinse aid pump	Up to Ser. Nr: 5501 d9,e1
<b>322</b>	<b>0L3656</b>	<b>Pompa brillantante</b>	<b>Rinse aid pump</b>	<b>From Ser.Nr: 5511</b> <b>d9,e1</b>
323	047578	Fascetta 25-40/9	Hose clamp 25-40/9	
324	048126	Fascetta 12-22/9	Hose clamp 12-22/9	
325a	0L3062	Tubo	Pipe	50 mm
325b	0L3063	Tubo	Pipe	440 mm
325c	0L3061	Tubo	Pipe	630 mm
325d	0L3058	Tubo	Pipe	500 mm
326	0L3060	Tubo	Pipe	880 mm
327	0L0082	Fascetta 7,3-7,8	Hose clamp 7,3-7,8	
328	0L1277	OR 26,58X3,53	O-ring 26,58X3,53	
329	0L2867	Ghiera	Ring nut	
330	0S1028	Peso in inox con filtro	Inox weight with filter	
331	049419	Tubo interno pompa detergente/ delime	Detergent/ delime dispenser hose	
332	049418	Tubo interno pompa brillantante	Rinse aid/ dispenser hose	
333	0L2071	Assieme tappo brillantante	Rinse aid plug assembly	Up to Ser.Nr. 4241
333	0L3079	Assieme tappo brillantante	Rinse aid plug assembly	From to Ser.Nr. 4251
334	0L1163	Tubo detergente	Detergent pipe	
335	0L0481	Tubo brillantante	Rinse aid pipe	
336	048834	Filtro	Filter	
337	049201	Guarnizione	Gasket	
338	0L3043	Serbatoio aggiuntivo	Additional tank	Only for "c,z,a2,b4,b9, c4,c7,d2"
341	0L2868	Pompa delime	Delime pump	Up to Ser.Nr: 4421 s,t,u,v,w,x,y,a1,a7,a8,b2, b3,c6,c3,c8,c9,d1,d3,d8, d9,e1
341	0L3407	Pompa delime	Delime pump	From Ser.Nr: 4431 Up to Ser. Nr: 5501 s,t,u,v,w,x,y,a1,a7,a8,b2, b3,c6,c3,c8,c9,d1,d3,d8, d9,e1
<b>341</b>	<b>0L3654</b>	<b>Pompa delime</b>	<b>Delime pump</b>	<b>From Ser.Nr: 5511</b> <b>s,t,u,v,w,x,y,a1,a7,a8,b2</b> <b>,b3,c6,c3,c8,c9,d1,d3,d</b> <b>8,d9,e1</b>

LAVASTOVIGLIE CAPPOTTINA NHT8/KHT8/EHT8/ZHT8/AHT8/EHT8/ZHT8TI/ EHT8TI HOOD TYPE DISHWASHER NHT8/KHT8/EHT8/ZHT8/AHT8/EHT8/ZHT8TI/ EHT8TI				Grassetto = variazioni Bold Print = changes
Pos.	Cod.ric. Part No.	Descrizione	Description	Note / Notes
342	049287	Tubo	Pipe	35 mm - s,t,u,v,w,x,y,a1, a7,a8,b2,b3,c6,c3,c8,c9, d1,d3,d8,d9,e1
343	<a href="#">0L2869</a>	Iniettore delime	Delime injector	s,t,u,v,w,x,y,a1,a7,a8,b2, b3,c6,c3,c8,c9,d1,d3,d8, d9,e1
344	<a href="#">0L2870</a>	Raccordo delime	Delime connector	Up to Ser.Nr: 4241 s,t,u,v,w,x,y,a1,a7,a8,b2, b3,c6,c3,c8,c9,d1,d3,d8, d9,e1
344	<a href="#">0L3075</a>	Raccordo delime + Iniettore	Delime connector + Injector	From to Ser.Nr: 4251 s,t,u,v,w,x,y,a1,a7,a8,b2, b3,c6,c3,c8,c9,d1,d3,d8, d9,e1
346	<a href="#">0L2871</a>	Assieme addolcitore	Water softener assembly	c,z,a2,b4,b9,c7,c4,d2
346a	<a href="#">0L2950</a>	Imbuto sale	Salt funnel	c,z,a2,b4,b9,c7,c4,d2
346b	<a href="#">0L2951</a>	Assieme tappo	Cap assembly	c,z,a2,b4,b9,c7,c4,d2
346c	<a href="#">0L2952</a>	OR per tappo 42X5	O-ring for cap 42X5	c,z,a2,b4,b9,c7,c4,d2
346d	<a href="#">0L2953</a>	Ghiera	Ring nut	c,z,a2,b4,b9,c7,c4,d2
346e	<a href="#">0L2954</a>	Elettrovalvola (bianca)	Solenoid valve (white)	c,z,a2,b4,b9,c7,c4,d2
346f	<a href="#">0L2955</a>	Elettrovalvola (blu)	Solenoid valve (blue)	c,z,a2,b4,b9,c7,c4,d2
346g	<a href="#">0L2956</a>	Sensore reed	Reed sensor	c,z,a2,b4,b9,c7,c4,d2
346h	<a href="#">0L2957</a>	Elettrovalvola (marrone)	Solenoid valve (brown)	c,z,a2,b4,b9,c7,c4,d2
346i	<a href="#">0L2958</a>	OR 65X5	O-ring 65X5	c,z,a2,b4,b9,c7,c4,d2
348	<a href="#">0L0477</a>	Portagomma in ottone 3/8"G	Brass hose union 3/8"G	d9,e1
349	<a href="#">0L0479</a>	Nipplo ottone MM 3/4"-3/8"G	Brass nipple MM 3/4-3/8X	d9,e1
350	<a href="#">0L0169</a>	Parzializzatore 5l/min	5 l/min water shutter	d9,e1
351	<a href="#">0L2917</a>	Modulo di connessione per E.V.	Connection module for solenoid valve	d9,e1

LAVASTOVIGLIE CAPPOTTINA NHT8/KHT8/EHT8/ZHT8/AHT8/EHT8/ZHT8TI/ EHT8TI HOOD TYPE DISHWASHER NHT8/KHT8/EHT8/ZHT8/AHT8/EHT8/ZHT8TI/ EHT8TI				Grassetto = variazioni Bold Print = changes
Pos.	Cod.ric. Part No.	Descrizione	Description	Note / Notes
		<b>Pagina 5: Componenti elettrici</b>	<b>Page 5: Electrical components</b>	<b>ill. 595668W00_p4</b>
502	0L0111	Morsettiera	Terminal board	
503	0L0366	Supporto sensore	Sensor support	
504	0L2874	Sonda di temperatura	Temperature probe	
505	0L1974	Resistenza vasca (3 kW, 230V)	Tank heating element (3 kW, 230V)	Not for n,m,o,p,q,v,a7,a8,a9,b1, c9,d1
505	0L2875	Resistenza vasca (3 kW, 208V)	Tank heating element (3 kW, 208V)	v,a8,d1
505	0L2876	Resistenza vasca (3 kW, 240V)	Tank heating element (3 kW, 240V)	u,a7,c9
505	0L2877	Resistenza vasca (3 kW, 400V)	Tank heating element (3 kW, 400V)	p,a9
505	0L2878	Resistenza vasca (3 kW, 440V)	Tank heating element (3 kW, 440V)	q,b1
505	0L2880	Resistenza vasca (3 kW, 200V)	Tank heating element (3 kW, 200V)	n,o
505	0L2234	Resistenza vasca (3 kW, 200V)	Tank heating element (3 kW, 200V)	d9,e1
506	048429	Squadretta di fissaggio	Lock support	
507	0L2303	OR	O-ring	
508	0L0280	Premistoppa per termostato	Stuffing box	
511	0L2653	Resistenza boiler (9 kW, 230V)	Boiler heating element (9 kW, 230V)	a,b,c,h,i,p,r,s,t,w,x,y,z,a1 ,a2,a3,a4,a9,b2,b3,b4,b5 ,b6,b9,c1,c2,c6,c7,c5,c3, c8,d2,d3,d6,d7,d8,d9,e1, e2
511	0L2767	Resistenza boiler (9 kW, 254V)	Boiler heating element (9 kW, 254V)	q,b1
511	0L2883	Resistenza boiler (9 kW, 200V)	Boiler heating element (9 kW, 200V)	n,o,d9,e1
511	0L2884	Resistenza boiler (4,5 kW, 230V)	Boiler heating element (4,5 kW, 230V)	d,e,f,g,j,k,a5,a6,b7,b8
511	0L2885	Resistenza boiler (4,5 kW, 208V)	Boiler heating element (4,5 kW, 208V)	v,a8,d1
511	0L2886	Resistenza boiler (4,5 kW, 240V)	Boiler heating element (4,5 kW, 240V)	u,a7,c9
512	0E5037	OR 56.52X5.33	O-Ring 56.52X5.33	
513	0L2887	Scheda Madre	Main board	s,t,u,v,w,x,y,z,a1,a2,a3, a4,a5,a6,a7,a8,a9,b1, b2,b3,b4,b5,b6,b7,b8, b9,c1,c2,c6,c7,c5,c4,c3, c8,c9,d1,d6,d9,e1,e2,e4 up to 5401 from 5481
513	0L3600	Scheda Madre	Main board	s,t,u,v,w,x,y,z,a1,a2,a3, a4,a5,a6,a7,a8,a9,b1, b2,b3,b4,b5,b6,b7,b8, b9,c1,c2,c6,c7,c5,c4,c3, c8,c9,d1,d6,d9,e1,e2,e4 from 5411 up to 5471
513	0L2888	Scheda Madre	Main board	a,b,c,d,e,f,g,h,i,j,k,l,m,n, o,p,q,r,d2,d3,d4,d5,d7,d8 ,e3 up to 5401 from 5481

LAVASTOVIGLIE CAPPOTTINA NHT8/KHT8/EHT8/ZHT8I/AHT8I/EHT8I/ZHT8TI/ EHT8TI				Grassetto = variazioni
HOOD TYPE DISHWASHER NHT8/KHT8/EHT8/ZHT8I/AHT8I/EHT8I/ZHT8TI/ EHT8TI				Bold Print = changes
Pos.	Cod.ric. Part No.	Descrizione	Description	Note / Notes
513	<b>0L3601</b>	Scheda Madre	Main board	a,b,c,d,e,f,g,h,i,j,k,l,m,n, o,p,q,r,d2,d3,d4,d5,d7,d8 ,e3 from 5411 up to 5471...
514	<b>049883</b>	Trasformatore (80VA 400-440/230V)	Transformer (80VA 400-440/230V)	p,q,a9,b1
516	<b>0L0285</b>	Contattore (K3 - 230V)	Contactor (K3 - 230V)	a,b,c,h,i,p,r,s,t,w,x,y,z,a1 ,a2,a3,a4,a9,b2,b3,b4,b5 ,b6,b9,c1,c2,c3,c4,c5,c6, c7,d2,d3,d4,d5,d6,d7,d8, e2
516	<b>0L0286</b>	Contattore (K3 - 180V)	Contactor (K3 - 180V)	n,q,b1,c8,d9
516	<b>0L2057</b>	Contattore (K3 - 220V 60HZ)	Contactor (K3 - 220V 60HZ)	f,g,l,m,a6,b8
516	<b>0L0430</b>	Contattore (K3 - 180V)	Contactor (K3 - 180V)	o,u,v,a7,a8,c9,d1,e1
516	<b>006879</b>	Contattore (K3 - 220-240V 50HZ / 240V 60HZ)	Contactor (K3 - 220-240V 50HZ / 240V 60HZ)	d,e,j,k,a5,b7
515	<b>0L1526</b>	Filtro elettrico (RC)	Electric filter (RC)	p, q, a9, b1
517	<b>0L2889</b>	Pannello supporto scheda	Board support panel	Up to Ser. Nr: 5281
517	<b>0L3596</b>	Pannello supporto scheda	Board support panel	From Ser. Nr: 5291
518	<b>0L2890</b>	Supporto scheda alimentatore	Feeder board support	
519	<b>048888</b>	Relé	Relay	
519	<b>049159</b>	Relé	Relay	d9,e1
520	<b>0L2891</b>	Alimentatore	Feeder	
521	<b>0L2892</b>	Coperchio alimentatore	Feeder cover	
522	<b>0L2893</b>	Sensore porta + squadretta	Door sensor + spacer	
523	<b>0L2894</b>	Squadretta	Support	
524	<b>0L2895</b>	Termostato sicurezza	Safety thermostat	Qty 2 only for "p,q,a9,b1"
525	<b>049627</b>	Magnete	Magnet	
526	<b>0L2897</b>	Interfaccia utente	User interface	
527	<b>0L2898</b>	Copertura interfaccia utente	User interface cover	
528	<b>0L2899</b>	Supporto	Support	
529	<b>049303</b>	Filtro RFI trifase	Trifase RFI filter	
530	<b>049303</b>	Filtro RFI monofase	Monofase RFI filter	
590	<b>0L3134</b>	Cablaggio	Wiring hardness	a,b,h,i,n,o,r,a3,a4,b5,b6c 1,c2,c5,d4,d5,d6,d7,e2
590	<b>0L3057</b>	Cablaggio	Wiring hardness	s,t,w,x,y,a1,b2,b3,c3,c6, c8,d3,d9,e1
590	<b>0L3065</b>	Cablaggio	Wiring hardness	c,z,a2,b4,b9,c4,c7,d2
590	<b>0L3099</b>	Cablaggio	Wiring hardness	u,v,a7,a8,c9,d1
590	0L2913	Cablaggio	Wiring hardness	u,v
590	0L2913	Cablaggio	Wiring hardness	u,v
590	<b>0L3147</b>	Cablaggio	Wiring hardness	d,e,f,g,j,k,l,m,a5,a6,b7, b8
590	<b>0L3149</b>	Cablaggio	Wiring hardness	s,t,w,x
590	<b>0L3149</b>	Cablaggio	Wiring hardness	s,t,w,x
590	<b>0L2905</b>	Cablaggio	Wiring hardness	p,q,a9,b1

LAVASTOVIGLIE CAPPOTTINA NHT8/KHT8/EHT8/ZHT8/AHT8/EHT8/ZHT8TI/ EHT8TI HOOD TYPE DISHWASHER NHT8/KHT8/EHT8/ZHT8/AHT8/EHT8/ZHT8TI/ EHT8TI				Grassetto = variazioni Bold Print = changes
Pos.	Cod.ric. Part No.	Descrizione	Description	Note / Notes
		<b>Pagina 6: Componenti versione automatica</b>	<b>Page 6: / Automatic version components</b>	<b>ill. 595668W00_p5</b>
601	0L2918	Guida superiore	Upper rail	s,t,u,v,w,x
602	0L2919	Asta di sollevamento	Lifting rod	s,t,u,v,w,x
603	0L2921	Camma destra	Right cam	s,t,u,v,w,x
604	0L2922	Supporto micro	Micro switch support	s,t,u,v,w,x
605	0L2923	Camma sinistra	Left cam	s,t,u,v,w,x
606	049770	Guida cremagliera	Rack rail guide	s,t,u,v,w,x
607	049826	Finecorsa inferiore	Lower driving gear	s,t,u,v,w,x
608	0L2924	Cremagliera	Rack rail	s,t,u,v,w,x
609	0L0457	Finecorsa superiore	Upper driving gear	s,t,u,v,w,x
610	0L3041	Assieme supporti per automatica	Support assembly for automatic NHT	s,t,u,v,w,x
611	0L0456	Microinterruttore	Micro switch	s,t,u,v,w,x
614	0L0665	Motoriduttore	Gear motor	s,t,u,v,w,x
615	0L2927	Supporto destro	Right support	s,t,u,v,w,x
616	049581	Ingranaggio	Gear	s,t,u,v,w,x
617	0L2928	Microinterruttore	Micro switch	s,t,u,v,w,x
618	0L2929	Supporto cremagliera	Rack rail support	s,t,u,v,w,x

LAVASTOVIGLIE CAPPOTTINA NHT8/KHT8/EHT8/ZHT8/AHT8/EHT8/ZHT8TI/ EHT8TI HOOD TYPE DISHWASHER NHT8/KHT8/EHT8/ZHT8/AHT8/EHT8/ZHT8TI/ EHT8TI				Grassetto = variazioni Bold Print = changes
Pos.	Cod.ric. Part No.	Descrizione	Description	Note / Notes
		<b>Pagina 7: Componenti ESD</b>	<b>Page 7: / ESD components</b>	<b>III. 595668W00_p6</b>
	<a href="#">0L3597</a>	Assieme completo ESD HT Manuale	Complete ESD assembly for Manual HT	
	<a href="#">0L3598</a>	Assieme completo ESD HT Automatica	Complete ESD assembly for Automatic HT	
701	<a href="#">0L2900</a>	Condensatore (µF 50/60HZ 400VAC)	Capacitor (1µF 50/60HZ 400VAC)	s,u,v,y,z,b2,c6,c7,c8,d9, e1
702	<a href="#">0L2930</a>	Schermo di protezione	protective shield	Up to Ser.Nr: 4241 s,u,v,y,z,b2,c6,c7,c8,d9, e1
702	<a href="#">0L3348</a>	Schermo di protezione	protective shield	From to Ser.Nr: 4251 s,u,v,y,z,b2,c6,c7,c8,d9, e1
703	<a href="#">0L2931</a>	Vite M5x12 TSC	Screw M5x12 TSC	Up to Ser. Nr: 5141 s,u,v,y,z,b2,c6,c7,c8,d9, e1
704	<a href="#">0L2932</a>	Coperchio	Cover	Up to Ser.Nr: 4241 s,u,v,y,z,b2,c6,c7,c8,d9, e1
704	<a href="#">0L3349</a>	Coperchio	Cover	From to Ser.Nr: 4251 s,u,v,y,z,b2,c6,c7,c8,d9, e1
705	<a href="#">0TH068</a>	Dado M5	Nut M5	Up to Ser. Nr: 5141 s,u,v,y,z,b2,c6,c7,c8,d9, e1
706	<a href="#">0L2933</a>	Assieme supporto ventilatori	Fans support assembly	Up to Ser. Nr: 5141 s,u,v,y,z,b2,c6,c7,c8,d9, e1
707	<a href="#">0L2934</a>	Scatola condensatori	Capacitors box	s,u,v,y,z,b2,c6,c7,c8,d9, e1
708	<a href="#">0TH080</a>	Passacavo	Cable gland	s,u,v,y,z,b2,c6,c7,c8,d9, e1
709	<a href="#">0L2935</a>	Supporto ventilatori	Fans support	s,u,v,y,z,b2,c6,c7,c8,d9, e1
710	<a href="#">0L2936</a>	Ventilatore	Fan	s,u,v,y,z,b2,c6,c7,c8,d9, e1
711	<a href="#">0L2937</a>	Supporto connettori	Connectors support	s,u,v,y,z,b2,c6,c7,c8,d9, e1
712	<a href="#">0L2938</a>	Assieme convogliazione	Conveyor assembly	s,u,v,y,z,b2,c6,c7,c8,d9, e1
713	<a href="#">0L2939</a>	Convogliatore	Conveyor	s,u,v,y,z,b2,c6,c7,c8,d9, e1
714	<a href="#">0L2940</a>	Collettore aspirazione	Suction header	s,u,v,y,z,b2,c6,c7,c8,d9, e1
715	<a href="#">0L2941</a>	Guarnizione	Gasket	s,u,v,y,z,b2,c6,c7,c8,d9, e1

LAVASTOVIGLIE CAPPOTTINA NHT8/KHT8/EHT8/ZHT8/AHT8/EHT8/ZHT8TI/ EHT8TI HOOD TYPE DISHWASHER NHT8/KHT8/EHT8/ZHT8/AHT8/EHT8/ZHT8TI/ EHT8TI				Grassetto = variazioni Bold Print = changes
Pos.	Cod.ric. Part No.	Descrizione	Description	Note / Notes
716	<a href="#">0L2942</a>	Pannello isolante	Protection panel	s,u,v,y,z,b2,c6,c7,c8,d9, e1
717	<a href="#">0L2943</a>	Paraspruzzi	Spashguard	s,u,v,w
717	<a href="#">0L2944</a>	Paraspruzzi	Spashguard	y,z,b2,c6,c7,c8,d9,e1
718	<a href="#">0L2945</a>	Pannello di chiusura	Closing panel	s,u,v,y,z,b2,c6,c7,c8,d9, e1
719	<a href="#">0C3539</a>	Vite M5x12 TTL	Screw M5x12 TTL	s,u,v,y,z,b2,c6,c7,c8,d9, e1
720	<a href="#">0L2947</a>	Scambiatore	Exchanger	Up to Ser. Nr: 5141 s,u,v,y,z,b2,c6,c7,c8,d9, e1
720	<a href="#">0L3614</a>	Scambiatore	Exchanger	From Ser. Nr: 5151 s,u,v,y,z,b2,c6,c7,c8,d9, e1
721	0C5309	Dado M5	Nut M5	s,u,v,y,z,b2,c6,c7,c8,d9, e1
722	<a href="#">0L2848</a>	Boccaglio ventilatore	Fan nozzle	s,u,v,y,z,b2,c6,c7,c8,d9, e1
723	<a href="#">0L3613</a>	Tampone con passacavo	Pad with cable gland	From Ser. Nr: 5151