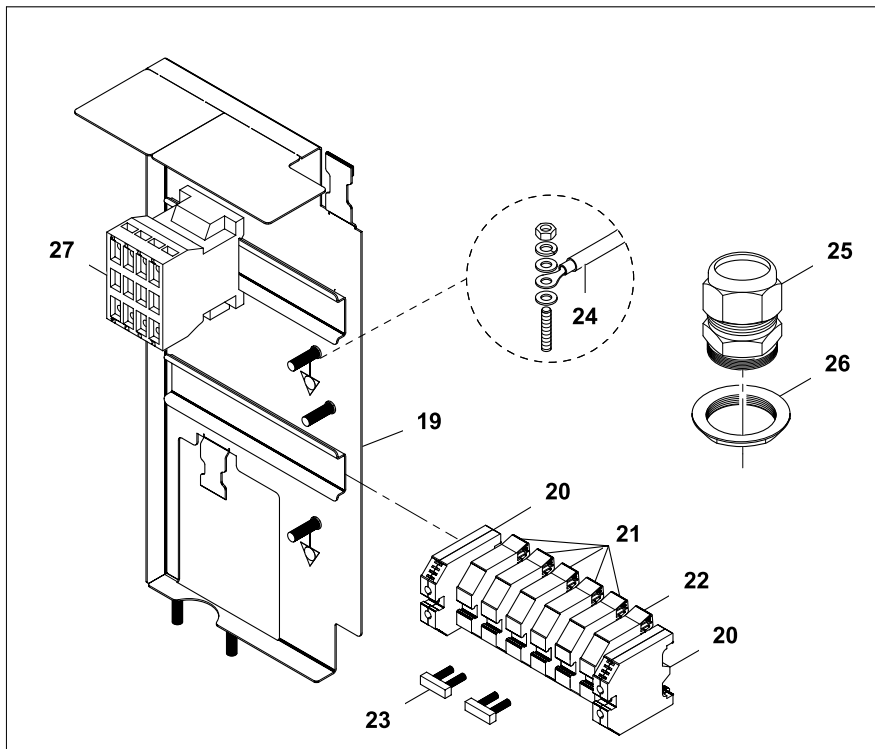
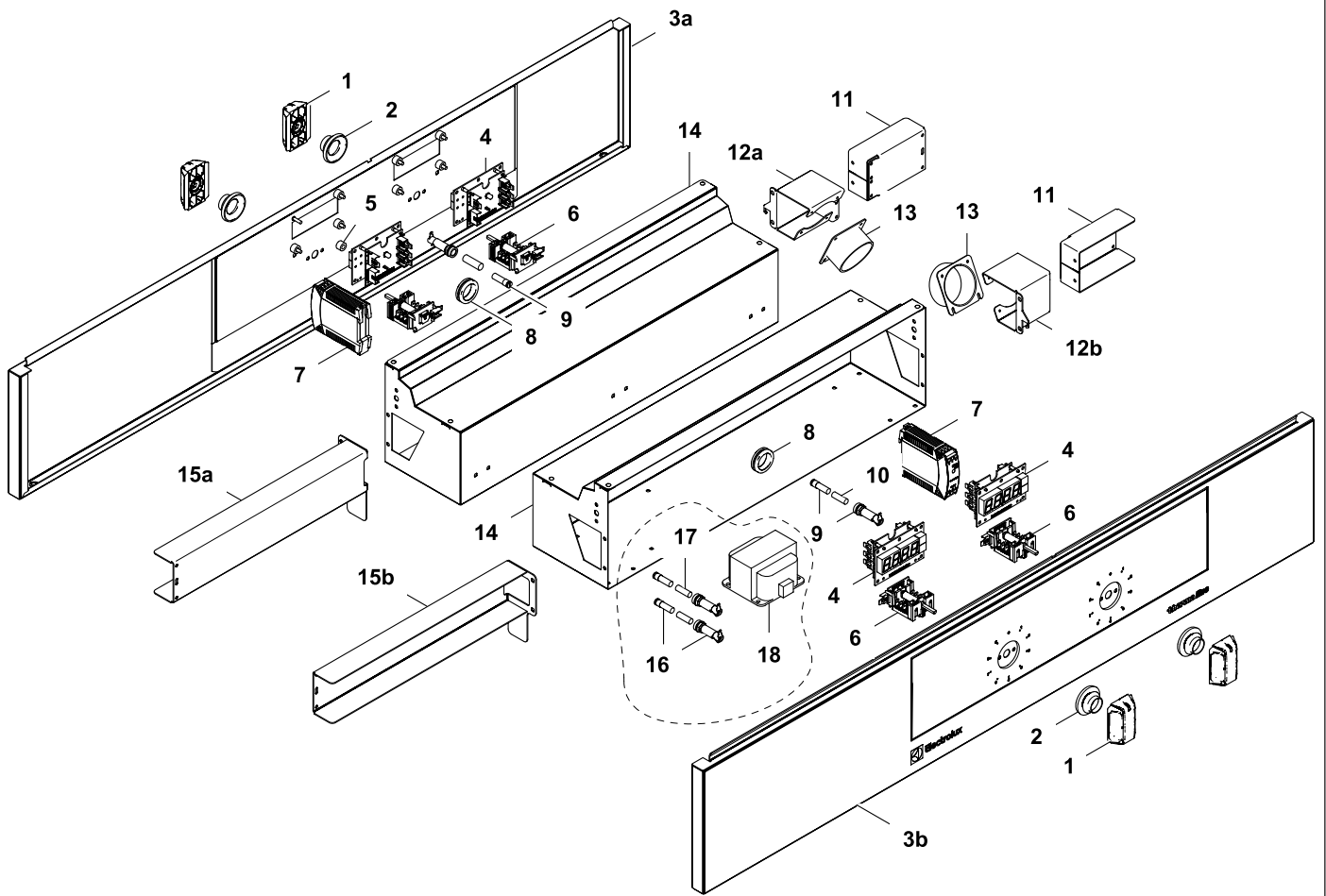


DE VOLLFLÄCHENINDUKTION AUF BACKOFEN
EN FULL SURFACE INDUCTION ON OVEN

PNC	Factory Model	Ref.	Description
588663	MBJHGBK8AO	a	FULL INDUCTION ON OVEN, TAP LEFT, 1-SIDE, C-BOARD, 1200X850X700H
588664	MBJIGBK8AO	a	FULL INDUCTION ON OVEN, TAP RIGHT, 1-SIDE, C-BOARD, 1200X850X700H
589585	MCJHEAK8AO	b	FULL INDUCTION ON OVEN, TAP LEFT, 1-SIDE, 1200X900X700H
589586	MCJHEBK8AO	b	FULL INDUCTION ON OVEN, TAP LEFT, 1-SIDE, C-BOARD, 1200X900X700H
589587	MCJIECK8AO	c	FULL INDUCTION ON OVEN, TAP LEFT, 2-SIDES, 1200X900X700H
589588	MCJHFAK8AO	d	FULL INDUCTION ON OVEN, TAP LEFT, 1-SIDE, 1200X900X800H
589589	MCJHFBK8AO	d	FULL INDUCTION ON OVEN, TAP LEFT, 1-SIDE, C-BOARD, 1200X900X800H
589590	MCJIFCK8AO	e	FULL INDUCTION ON OVEN, TAP LEFT, 2-SIDES, 1200X900X800H
589603	MCJLEAK8AO	f	FULL INDUCTION ON OVEN, TAP RIGHT, 1-SIDE, 1200X900X700H
589604	MCJLEBK8AO	f	FULL INDUCTION ON OVEN, TAP RIGHT, 1-SIDE, C-BOARD, 1200X900X700H
589605	MCJMECK8AO	g	FULL INDUCTION ON OVEN, TAP RIGHT, 2-SIDES, 1200X900X700H
589606	MCJLFAK8AO	h	FULL INDUCTION ON OVEN, TAP RIGHT, 1-SIDE, 1200X900X800H
589607	MCJLFBK8AO	h	FULL INDUCTION ON OVEN, TAP RIGHT, 1-SIDE, C-BOARD, 1200X900X800H
589608	MCJMFCK8AO	i	FULL INDUCTION ON OVEN, TAP RIGHT, 2-SIDES, 1200X900X800H
589860	MCJHEAK8DM	k	MARINE* FULL INDUCTION ON OVEN, TAP LEFT, 1-SIDE, 1200X900X700H
589861	MCJIECK8DM	m	MARINE* FULL INDUCTION ON OVEN, TAP LEFT, 2-SIDES, 1200X900X700H
589862	MCJLEAK8DM	n	MARINE* FULL INDUCTION ON OVEN, TAP RIGHT, 1-SIDE, 1200X900X700H
589863	MCJMECK8DM	o	MARINE* FULL INDUCTION ON OVEN, TAP RIGHT, 2-SIDES, 1200X900X700H

Page	Index	Last Updates	Page
2	Electronical parts (FME)	Ed. 01/2015	all
4	Aeration kit (FML)		
6	Mechanical parts (FMM)		
8	Mixing tap		
10	Base		
12	Oven		
14	Control panel oven		
15	Generator cabinet		

Valid from Ser. N° 3101....

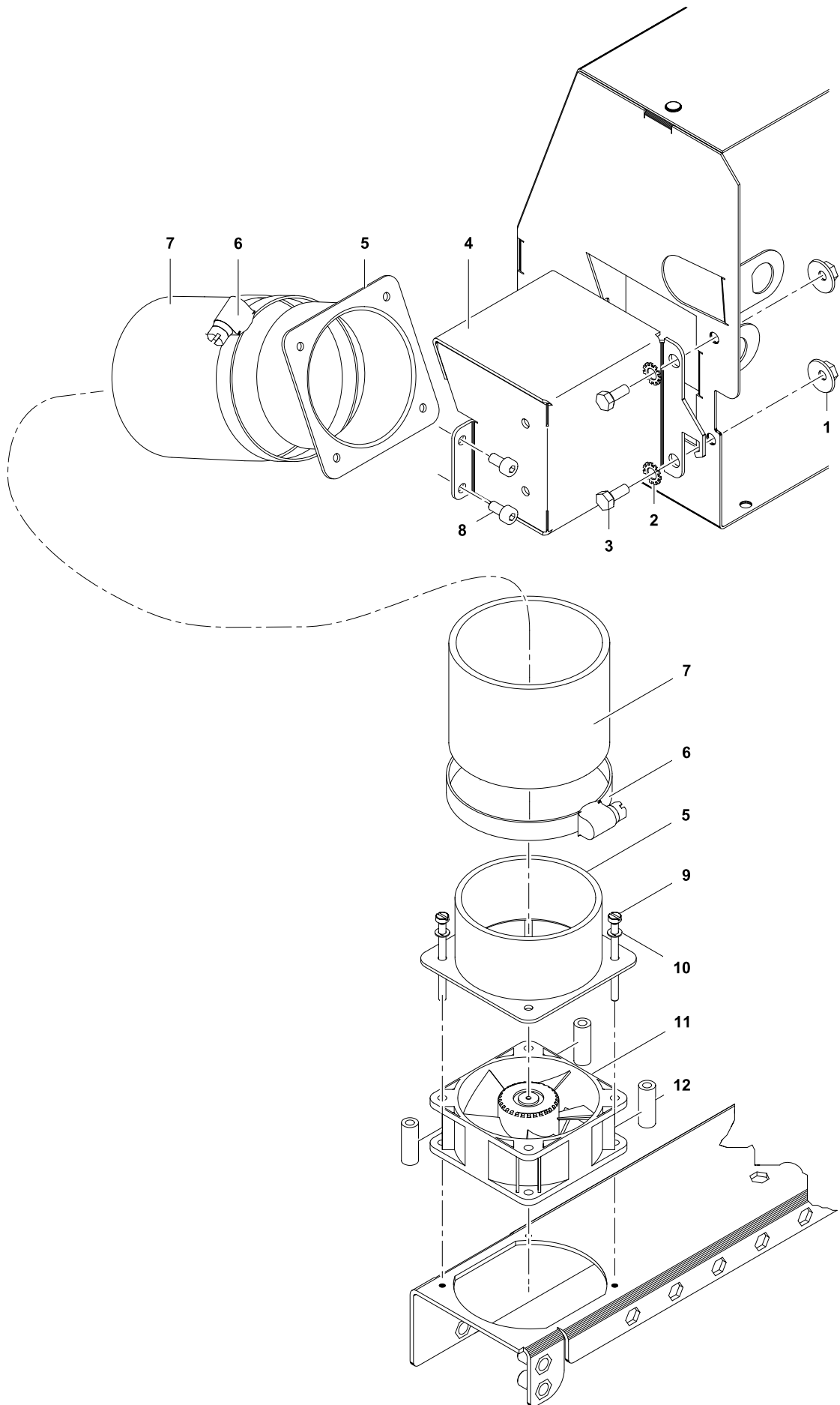


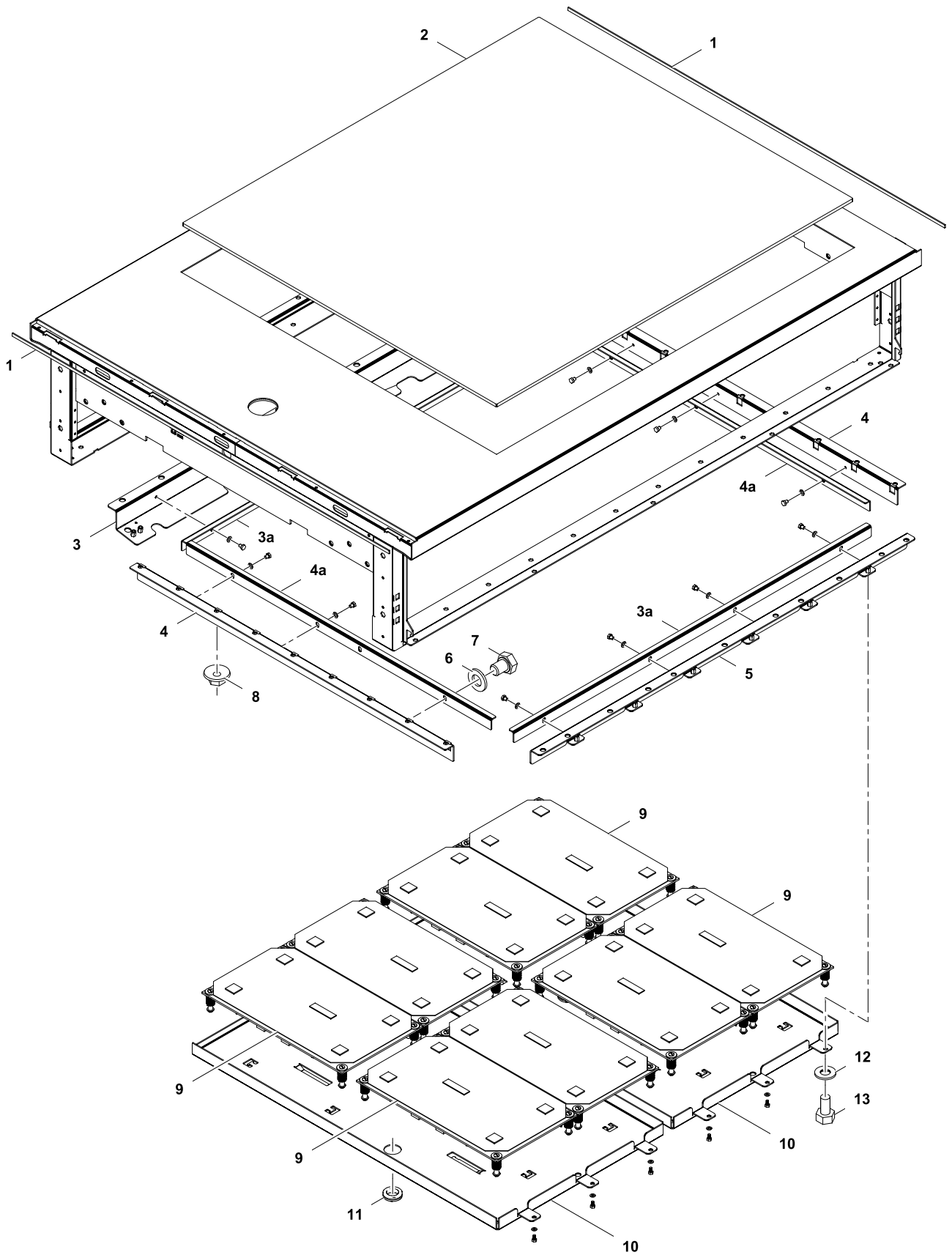
1	Alias	Code	Bezeichnung	Description	Ref.	Valid from Serial N°
1	82.9124.01	OG6369	Drehgriff mit Adapter 0°x6.0	Handle with adapter 0°x6.0	all types	
2	82.7009	OG6247	Dichtung Drehgriff	Sealing for handle	all types	
3a	82.1027.71	*	Bedienblende 2 Zonen hinten	Control panel 2-zones backside	all 2-sides	
3b	82.1027.26	*	Bedienblende 2 Zonen vorn	Control panel 2-zones frontside	all 2-sides	
	82.1027.27	*	Bedienblende 4 Zonen vorn	Control panel 4-zones	1-side D900	
	82.1049.26	*	Bedienblende INOX 4 Zonen vorn	Control panel INOX 4-zones	1-side D850	
4	82.9115.01	OG6302	Eurotas Display Induktion	Eurotas Display Induction	D900	
	72.5938.01	OKX184	Anzeigelampe	Indicator light	D850	
	72.5938.08	OKI364	Einsteckfassung grün/gelb Ø10mm	Lamp holder, green/yellow, Ø10mm	D850	
5	76.3011.01	OG3093	Distanzhalter 8mm	Spacer 8mm		
6	82.9020	OG6314	Schalter Off-9 Stufen + 2x10K Potentiometer	Switch off-9 levels + 2x10K potentiometer	D900	
	82.9013	OG624	Schalter Off-9 Stufen + 10K Potentiometer	Switch off-9 levels + 10K potentiometer	D850	
7	82.9030	OG6075	DC Power Supply 12VDC	DC Power Supply 12VDC	D900	
8	712 044961.17	OKT854	Kabeltülle Ø25/Ø31/Ø35x10	Cable sleeve Ø25/Ø31/Ø35x10	all types	
9	82.7093	056582	Sicherungshalter	Fuse holder	all types	
10	712 344362.01	OG5814	Sicherung 5x20 1A	Fuse 5x20 1A	all types	
11	82.3004.01	*	Halterung Ventilationsbox L100	Support for ventilation box L100	all types	
12a	82.3001	*	Standard Ventilationsbox links	Ventilation box left	all types	
12b	82.9002	*	Standard Ventilationsbox rechts	Ventilation box right	all types	
13	83.3021	*	Rohrstutzen Ø 60.3	Pipe socket Ø 60.3	all types	
14	82.3022	*	Elektrobox 800+	Electrical compartment 800+	Standard	
	82.3049	*	Elektrobox 800 Marine	Electrical compartment 800 Marine	Marine	
15a	82.3004.01	*	Halterung Ventilationsbox L400 gegengleich	Support for ventilation box L400 mirrored	all 2-sides	
15b	82.3008.04	*	Halterung Ventilationsbox L400	Support for ventilation box L400	all types	
16	87.9204	OC2228	Sicherungshalter 6.3x32 500V	Fuse holder 6.3x32 500V	Marine	
17	82.9171	OTTR73	Sicherung 6.3x32 0.63A 500V	Fuse 6.3x32 0.63A 500V	Marine	
18	82.9209	006710	Autotransformator 0-240-400-440V 150VA	Autotransformer 0-240-400-440V 150VA	Marine	
19	82.3051		Main terminal	Main terminal	all types	
	82.3052	*	Klemmenträger	Terminal support	all types	
20	75.2011.03	OKX29	Schutzleiterklemme 16mm²	Ground conductor terminal 16mm²	all types	
21	75.2010.40	OKI280	Reihenblockklemme 16mm² grau	Terminal block 16mm² grey	all types	
22	75.2010.41	OG3488	Nullleiterklemme 16mm² blau	Neutral wire terminal 16mm² blue	all types	
23	75.2010.44	OKT731	Querverbinder	Cross connection	all types	
24	82.9103	OG6424	Kabel Haupterdraht L400 6mm²	Main earthing cable L400 6mm²	all types	
25	82.2908	OC0068	Kabelverschraubung PG21	Cable gland PG21	all types	
26	82.9226	OG7024	Gegenmutter Kabelverschraubung PG21	Lock nut PG21	all types	
27	1 115 1757	OG4645	Schütz K3 -14x027	Conductor K3 -14x027	Marine	
	82.9002	OG6897	Kabel: Display - Display	Cable: Display - Display	D900	
	82.9003	OG6899	Kabel: Potentiometer - Display L200	Cable: Potentiometer - Display L200	D900	
	82.9110	OG7172	Kabel: Trafo - Display L450	Cable: Transformer - Display L450	D900	
	82.9241		Kabel: Display - Ventilator	Cable: Display - Ventilator	D900	
	82.9116		Kabel: Trafo - T1 - Trafo - T2	Cable: Trafo - T1 - Trafo - T2	2-Sides	
	82.9022.01	OG7036	Kabel: Schalter- S1 - Schalter - S2 kurz	Cable: Switch - S1 - Switch - S2 short	D900/850	
	82.9022.02		Kabel: Schalter- S2 - Schalter - S3 kurz	Cable: Switch- S2/3 - Switch - S4 short	D900/850/1-side	
	82.9022.03	OG7195	Kabel: Schalter- S2/3 - Schalter - S4 kurz	Cable: Switch- S2/3 - Switch - S4 short	D900/850	
	82.9022.05		Kabel: Schalter- S2 - Schalter - S3 lang	Cable: Switch- S2 - Switch - S3 long	2-Sides	
	82.9012.02	OG6667	Kabel: 2x Poti - Generator GFI L2500	Cable: 2x Poti - Generator GFI L2500	all types	
	82.9064.02		Kabel: 2x Anzeigel. - Generator GFI L2500	Cable: 2x indicator - Generator GFI L2500	D850	
	82.9059.01		Kabel: X0 - F1 - Schalter - Trafo1	Cable: X0 - F1 - Switch - Transformer	4-Zones D900	
	82.9059.03		Kabel: X0 - F - Schalter - Trafo (Marine)	Cable: X0 - F - Switch - Transformer	Marine	
	72.6287.02	OT2450	Verdrahtung 4x4.00 Sicherung - Generator	Wiring 4x4.00 Fuse - Generator	all types	
	82.9104		Kabel: X0 - Schalter - 5+6 Ofen	Cable: X0 - Switch - 5+6 Oven	all standard	
	82.9071.01		Kabel: Schalter - STB - E5 H5 (Ofen)	Cable: Switch - Limiter - E5 H5 (Oven)	all standard	
	82.9071.02		Kabel: Schalter - STB - E6 H6 (Ofen)	Cable: Switch - Limiter - E6 H6 (Oven)	all standard	
	82.9203		Kabel: Ofen Marine	Cable: Oven Marine	Marine	
	82.9132.01	OG7278	Kabel: Ofen - Querstromlüfter groß	Cable: oven - cross flow blower large	all types	

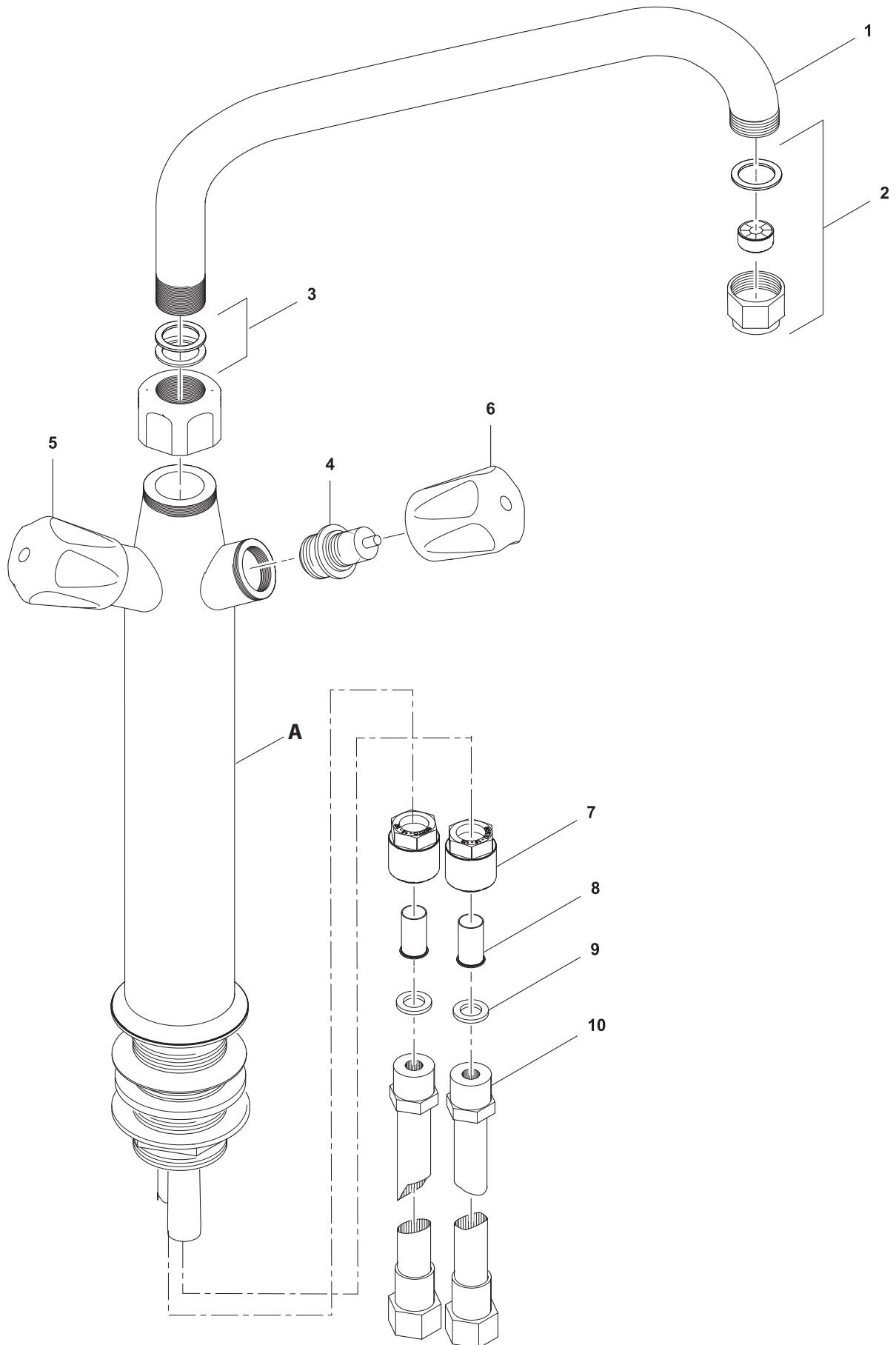
* Components on demand
* Teile auf Anfrage

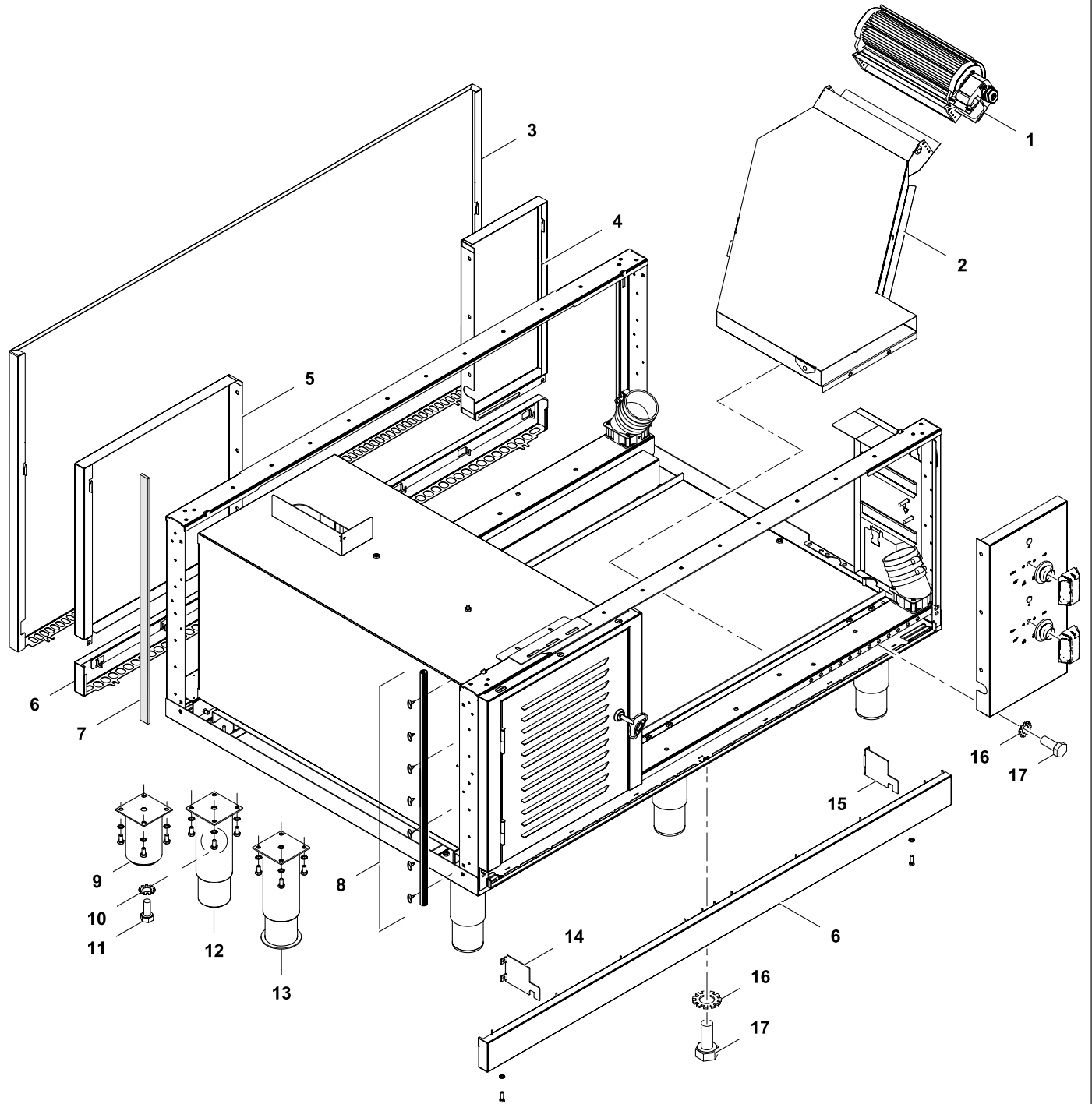
Doc. N° 87.8070.03

Page: 3







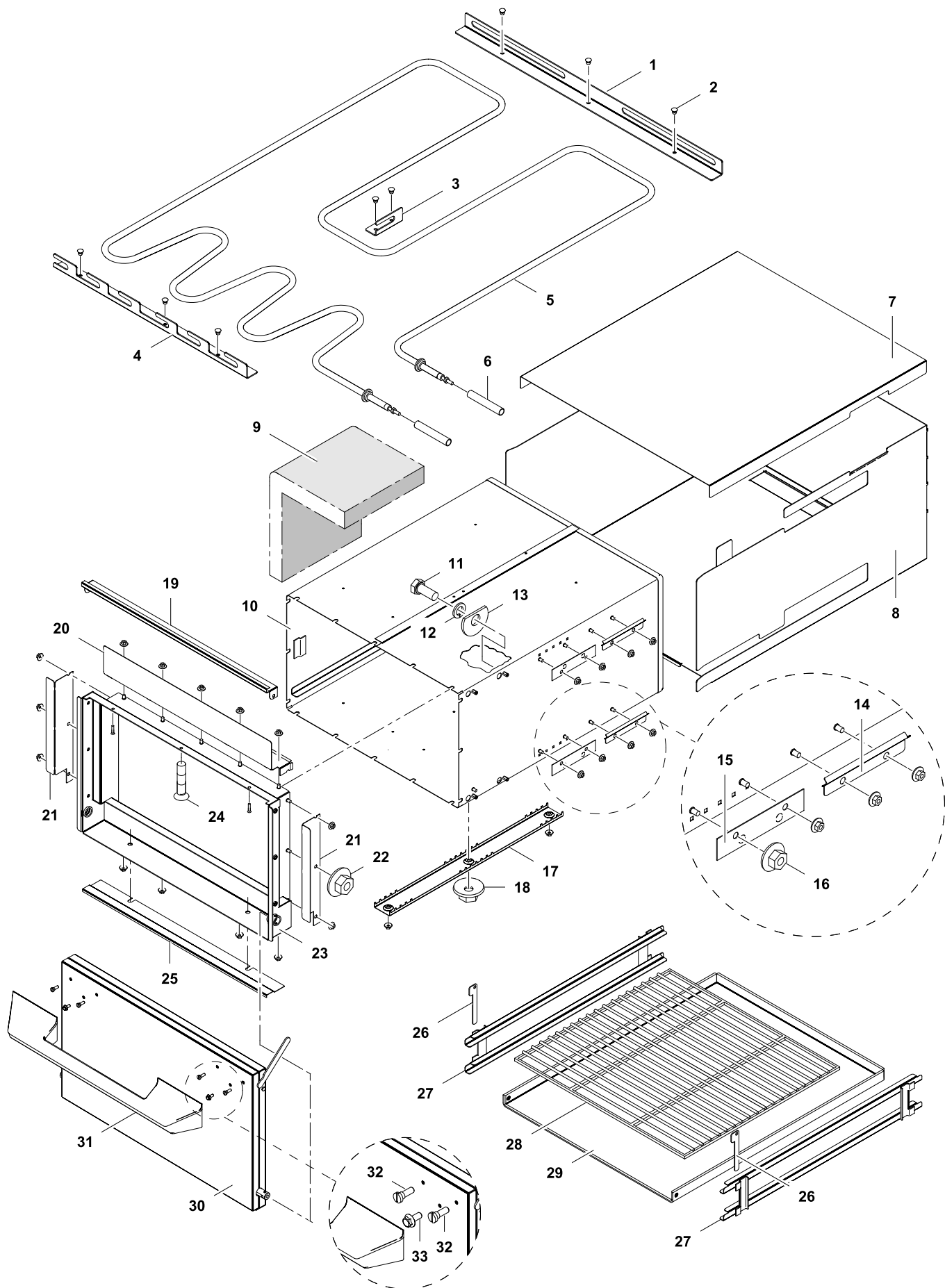


4	Alias	Code	Bezeichnung	Description	Ref.	Valid from Serial N°
1	1 115 1416	OK5059	Querstromlüfter	Cross flow blower	all types	
2	82.5202.012	*	Luftkanal 1200x850	Air channel 1200x850	D850	
	82.8253.012	*	Luftkanal 1200x900	Air channel 1200x900	D900	
3	82.1102.11	*	Rückwand 1-seitig 1200X700	Back panel 1-side 1200X700	H700 / 1-side	
	82.1102.31	*	Rückwand 1-seitig 1200X800	Back panel 1-side 1200X800	H800 / 1-side	
4	82.1046.01	*	Rückwand 2-seitig 201mm links	Back panel 2-sides 201mm left	2-sides	
5	82.1046.14	*	Rückwand 2-seitig 400mm rechts	Back panel 2-sides 400mm right	2-sides	
6	82.1140.12	*	Std. Anschlussdeckel H66 / L1200	Standard bottom front panel H66 / L1200	H800	
	82.1140.32	*	Std. Anschlussdeckel H166 / L1200	Standard bottom front panel H166 / L1200	H700	
7	82.7467	OC7307	Dichtung 5mm	Sealing sides 5mm	all types	51010000
8	82.7334	OG6396	Dichtung Geräte seitwärts (NM)	Side-sealing strip	all types	
9	86.2385	OG6140	Stellfuß 2" 100mm	Adjustable feet 2" 100mm	H800	
10	1 701 5051	OG6753	Fächerscheibe M6	Fan washer M6	H700/800	
11	1 701 2600	OKT919	Sechskantschraube M6x12	Hex bolt M6x12	H700/800	
12	86.0001	OG5391	Stellfuß 2" 145-252mm rund	Adjustable feet 2" 145-252mm, round	H700	
13	83.3728	OG6886	Stellfuß 2" Marine 145-252mm	Adjustable feet 2" Marine 145-252mm	H700 Marine	
14	82.0114.01	OG7053	Abgrenzungsblech Frischluft links	Aeration sheet left	H700	
	82.0114.11	OG7054	Abgrenzungsblech Frischluft links	Aeration sheet left	H800	
15	82.0114.02	OG7055	Abgrenzungsblech Frischluft rechts	Aeration sheet right	H700	
	82.0114.12	OG7056	Abgrenzungsblech Frischluft rechts	Aeration sheet right	H800	
16	1 701 7002	OG2923	Fächerscheibe M5	Fan washer M5	H700/800	
17	1 701 2579	OG4020	Sechskantschraube M5x16	Hex bolt M5x16	H700/800	

* Components on demand
* Teile auf Anfrage

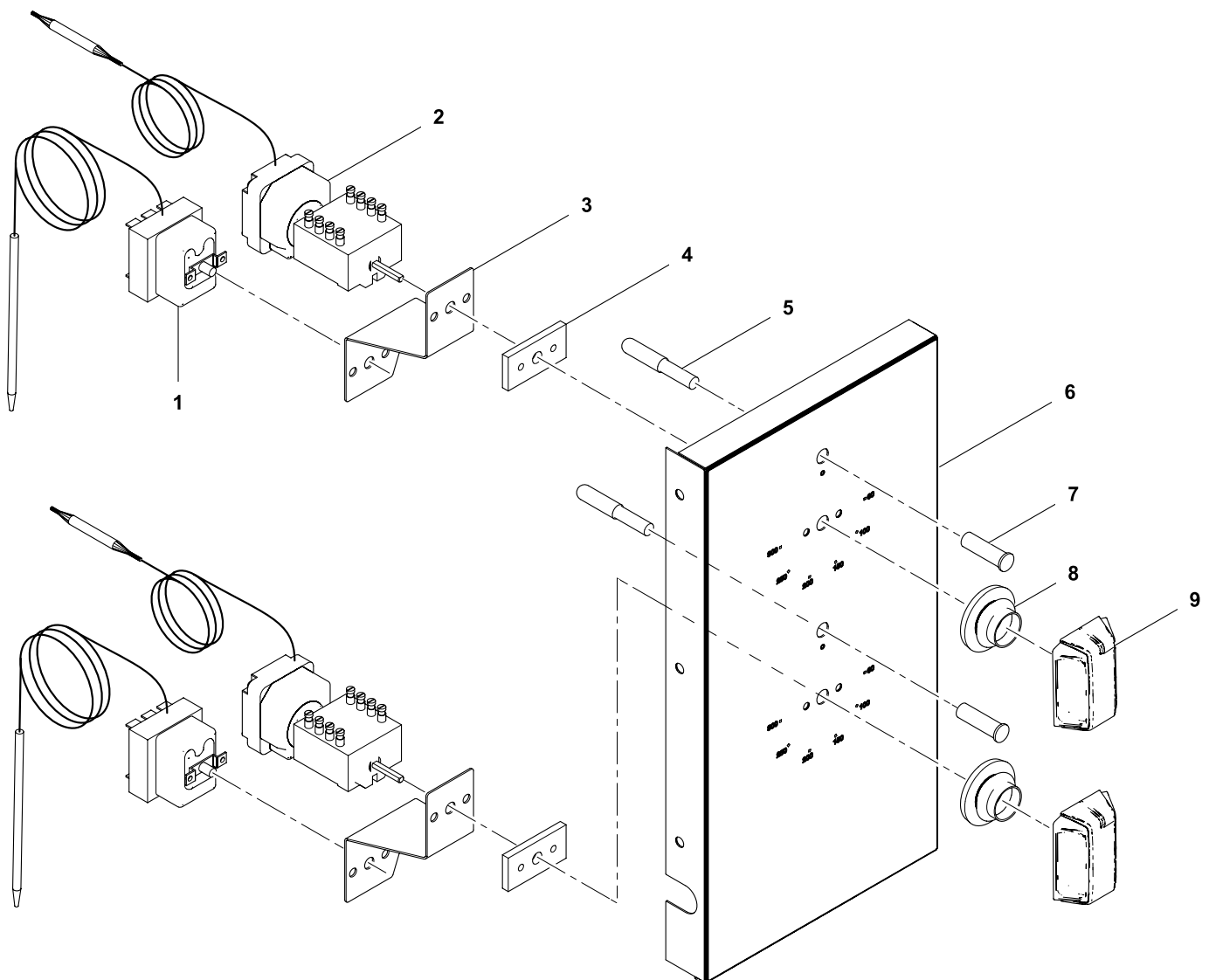
Doc. № 87.8070.03

Page: 11

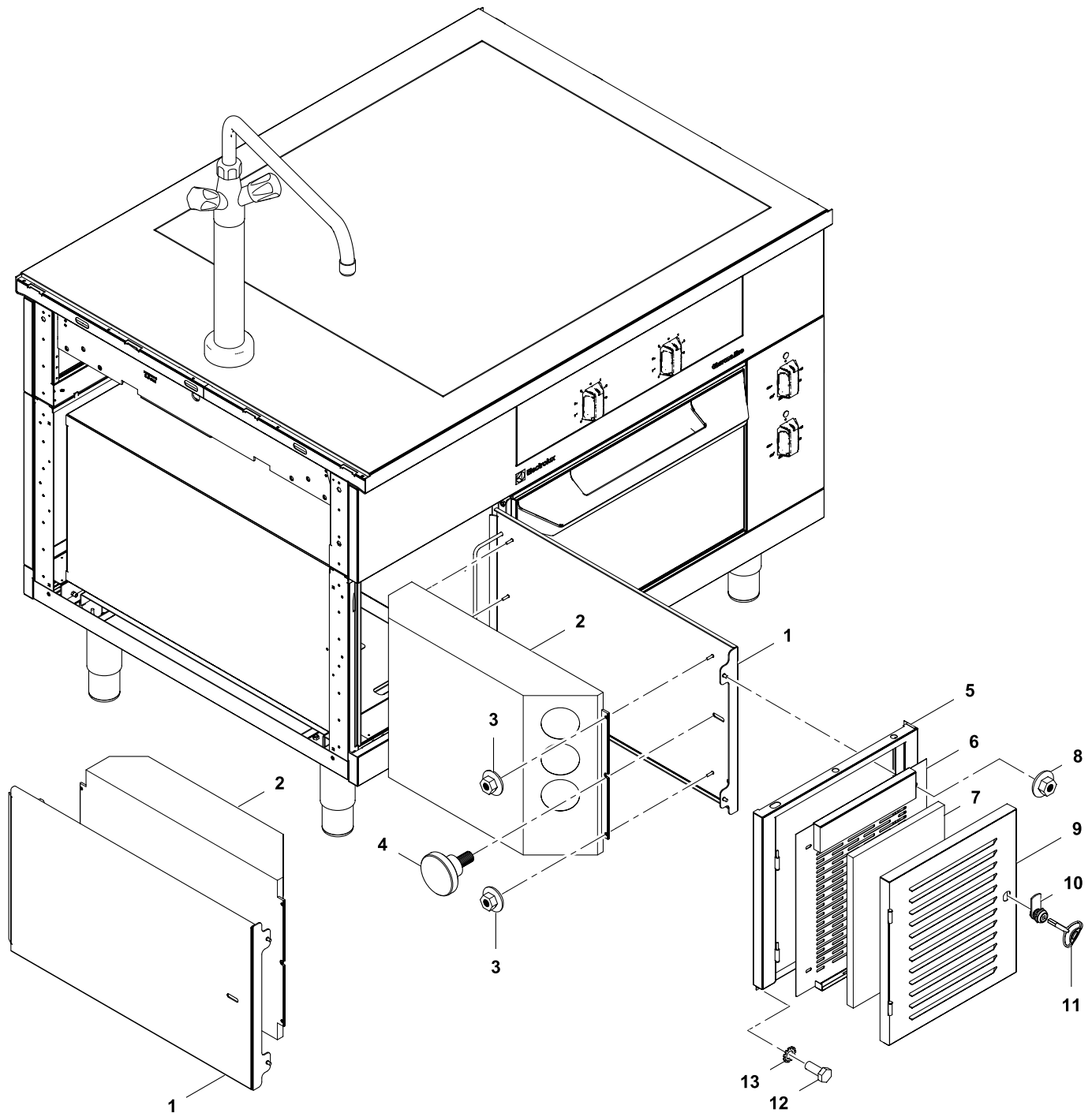


6	Alias	Code	Bezeichnung	Description	Ref.	Valid from Serial N°
1	72.6609	OT2542	Halter Heizung hinten	Heating element support backside	all types	
2	1 701 1102	OG6411	Niete 4x7,3	Rivet 4x7,3	all types	
3	72.6610	OT2543	Halter Heizung mittig	Heating element support middle	all types	
4	72.6613	OT2544	Halter heizung vorn	Heating element support frontside	all types	
5	72.5054.03	OKI360	Heizung 2.5kW 400V	Heating element 2.5kW 400V	all Standard	
	72.5054.05	OG2987	Heizung 2.5kW 440V	Heating element 2.5kW 440V	all Marine	
6	1 115 1281	OK4567	Isolierschlauch Ø14	Insulation tube Ø14	all types	
	1 115 1280	OT0571	Isolierschlauch Ø10	Insulation tube Ø10		
7	82.1157.01	*	Deckel Ofenverkleidung D850	Lid oven cover D850	D850	
	82.1157.02	*	Deckel Ofenverkleidung D900	Lid oven cover D900	D900	
8	82.1156.01	*	Unterteil Ofenverkleidung 1S/D850	Bottom oven cover 1S/D850	1-side/D850	
	82.1156.02	*	Unterteil Ofenverkleidung 1S/D900	Bottom oven cover 1S/D900	1-side/D900	
	82.1160.02	*	Unterteil Ofenverkleidung 2S/D900	Bottom oven cover 2S/D900	2-sides/D900	
9	72.0807	OK4265	Isolation	Insulation	2-sides	
	72.0746.01	OK6341	Isolation	Insulation	1-side	
10	72.9794	*	Mantel Elektrobackofen	Mantle electric oven	all types	
11	1 701 2509	OK4598	Sechskantschraube M5x12	Hex bolt M5x12	all types	
12	1 701 5004	OH9734	Federring M5	Spring washer M5	all types	
13	719 040166	OG3052	Heizkörperscheibe	Disc	all types	
14	82.2520	OG7223	STB Halter	Safety thermostat support	all types	
15	719 040247	OK8882	Fühlerhalter	Sensor support	all types	
16	712 044120.06	OG3997	Keps-Mutter M6	Keps nut M6	all types	
17	72.0744	OK4263	Isolationsbefestigung	Insulation fixation	all types	
18	712 044120.06	OG3997	Keps-Mutter M6	Keps nut M6	all types	
19	83.3048	*	Abdeckprofil oben	Cover profile	all types	
20	82.2309	*	Klemmblech oben	Clamp sheet top	all types	
21	72.9822.02	*	Klemmblech links/rechts	Clamp sheet left/right	all types	
22	712 044120.06	OG3997	Keps-Mutter M6	Keps nut M6	all types	
23	83.3044	*	Frontrahmen Backofen	Frontal frame oven	all types	
24	GR40 186.1	OG3575	Flachkopfschraube M6x15	Flat head screw M6x15	all types	
25	83.3047	*	Abdeckprofil unten	Cover profile bottom	all types	
26	719 040244	OK5604	Arretierung Rostführung	Locking for grill rail	all types	
27	62.6197	OG6435	Rostführung Backofen 2/IGN	Grill rail 2/IGN	all types	
28	1 110 1300	OK6412	Grillrost 2/IGN	Grill 2/IGN	all types	
29	719 830045	OK8889	Einlegeplatte 2-seitig	Bottom plate 2-sides	2-sides	
	719 830077.01	OK8892	Einlegeplatte 1-seitig	Bottom plate 1-sides	1-side	
30	83.3450	OG6666	Backofentür komplett	Oven door complete	all types	
31	82.6500	OG7224	Handgriff Backofen	oven handle	all types	
32	82.7352	O93923	Schraube M5x12	Screw M5x12	all types	
33	82.7355	OC7119	Schraube M5x12	Screw M5x12	all types	

* Components on demand
* Teile auf Anfrage



7	Alias	Code	Bezeichnung	Description	Ref.	Valid from Serial N°
1	82.9053	004269	Sicherheitsthermostat 360°C-25K	Safety thermostat 360°C-25K	all types	
2	82.9120	OG6318	Schalter off - lin 3/4 + Regler 280°C	Switch off - lin 3/4 + control 280°C	all types	
3	82.6524	OG7228	Montagewinkel	Mounting angle	all types	
4	82.2665	OG7229	Zwischenblech	Spacer plate	all types	
5	72.5938.03	OKI361	Anzeigelampe klar	Indicator light, clear	all types	
6	82.1120.03	*	Reglerblende Ofen 201mm (°C)	Control panel oven 201mm (°C)	all types	
7	72.5938.07	OKI363	Einsteckfassung klar Ø10mm	Lamp holder, clear, Ø10mm	all types	
8	82.7009	OG6247	Dichtung Drehgriff	Sealing for handle	all types	
9	82.9124.01	OG6369	Drehgriff mit Adapter 0°x6.0	Handle with adapter 0°x6.0	all types	



8	Alias	Code	Bezeichnung	Description	Ref.	Valid from Serial N°
1	82.2765.02	*	Einschubblech	Slide-in sheet	all types	
2	82.7145.01	OG6328	Generator Q+ 4x3.5kW GFI 400V	Generator Q+ 4x3.5kW Full induct. 400V	all types	
3	712 044120.04	OG4918	Keps-Mutter M4	Keps-nut M4	all types	
4	1 701 2590	OG4171	Rändelschraube	Knurled screw	all types	
5	83.3085.03	*	Blende mit Ausschnitt	Panel	all types	
6	82.2766.02	*	Schutzblech	Protection sheet	all types	
7	82.7272.01	???	Filter	Filter	all types	
8	712 044120.05	OG3998	Keps-Mutter M5	Keps-nut M5	all types	
9	82.2311.01	*	Tür 400 mit Lamellen	Door 400 with openings	all types	
10	83.7029	???	Hebelschloss	Lever lock	all types	
11	83.7063	OG6260	Vierkantschlüssel	Square key	all types	
12	1 701 2579	OG4020	Sechskantschraube M5x16	Hex bolt M5x16	all types	
13	1 701 7002	OG2923	Fächerscheibe M5	Fan washer M5	all types	

* Components on demand
* Teile auf Anfrage