

DE ELEKTRISCHE NUDELKOCHER 20L/40L
EN ELECTRIC PASTA COOKER 20L/40L

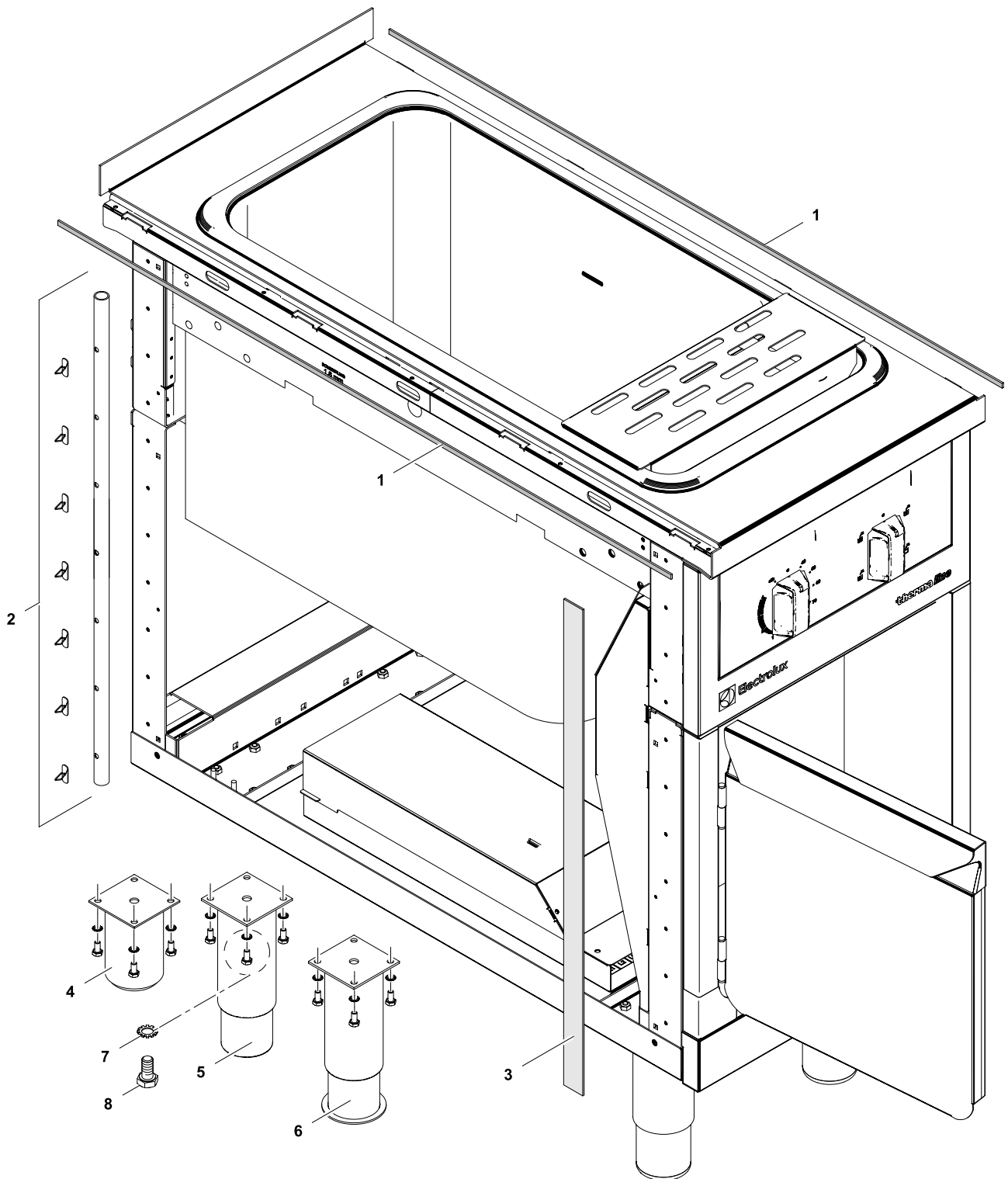
PNC	Factory Model	Ref.	Description
588205	MAKCEADDAO	a	20L, 400X800X700H
588206	MAKCEBDDAO	a	20L, C-BOARD, 400X800X700H
588291	MAKCFADDAO	b	20L, 400X800X800H
588292	MAKCFBDDAO	b	20L, C-BOARD, 400X800X800H
588625	MBKCEBDDAO	c	20L, C-BOARD, 400X850X700H
589471	MCKCEADDAO	d	20L, 400X900X700H
589472	MCKCEBDDAO	d	20L, C-BOARD, 400X900X700H
589475	MCKCFADDAO	e	20L, 400X900X800H
589476	MCKCFBDDAO	e	20L, C-BOARD, 400X900X800H
588627	MBKEGBDDAO	f	40L, C-BOARD, 400X850X700H
589292	MCKEEADDAO	g	40L, 400X900X700H
589293	MCKEEBDDAO	g	40L, C-BOARD, 400X900X700H
589449	MCKEFADDAO	h	40L, 400X900X800H
589450	MCKEFBDDAO	h	40L, C-BOARD, 400X900X800H
589865	MCKCEADDDM	k	MARINE* 20L, 400X900X700H
589864	MCKEEADDDM	m	MARINE* 40L, 400X900X700H

Page 2
Index Pasta cooker 40L

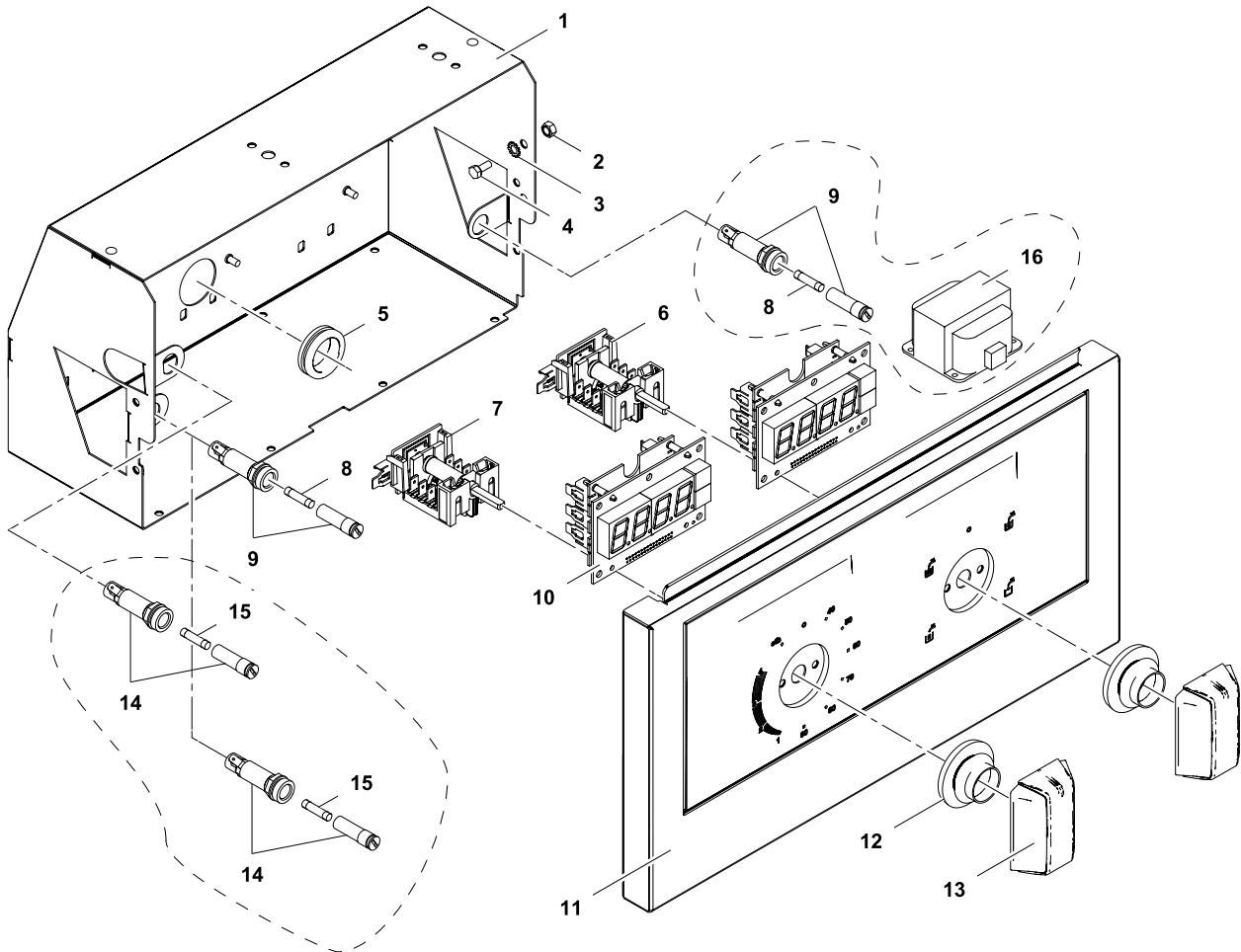
Last Updates
 Ed. 01/2015
 Ed. 06/2015

Page
 all
 all

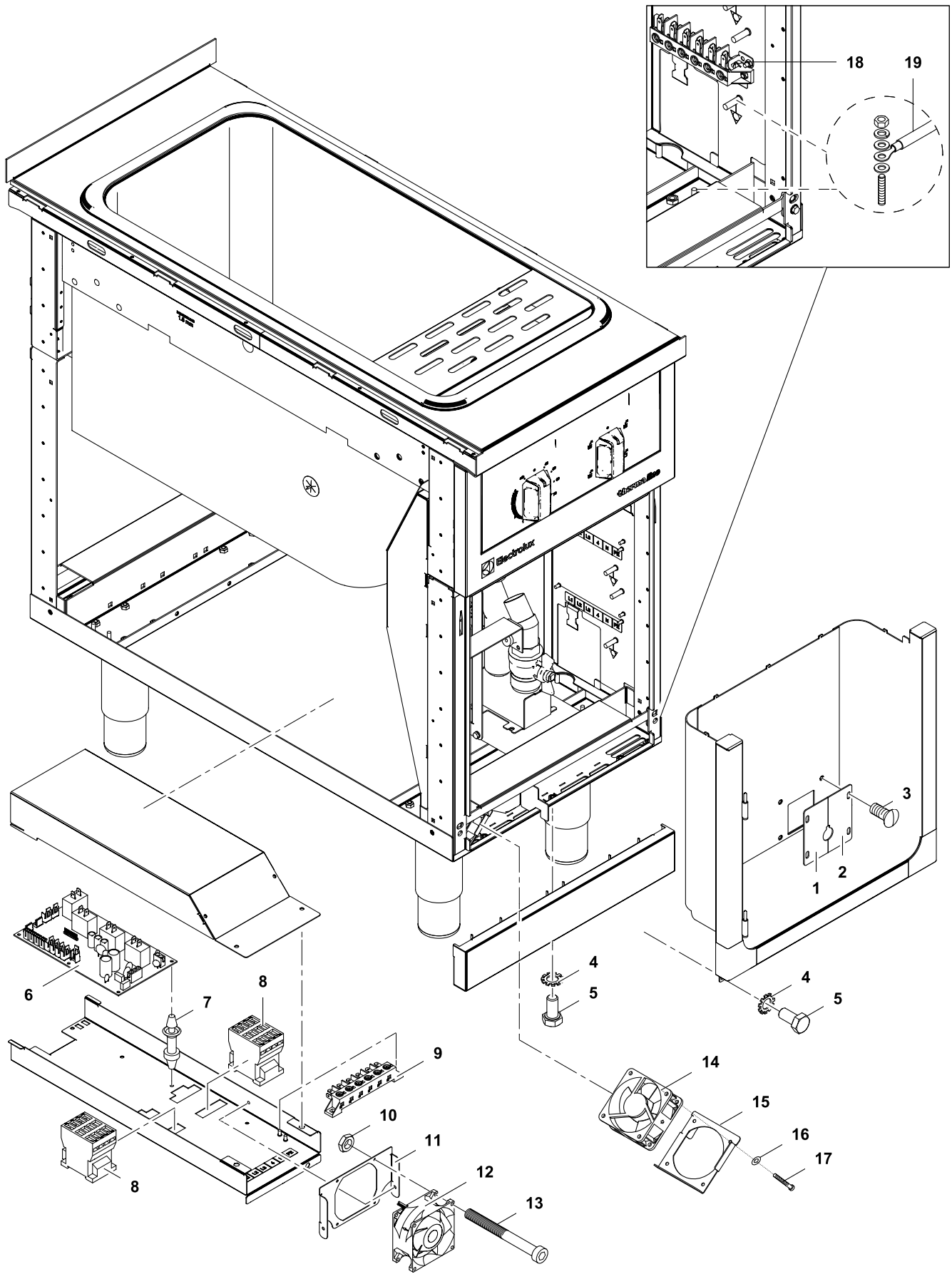
Valid from Ser. Nº 3101....



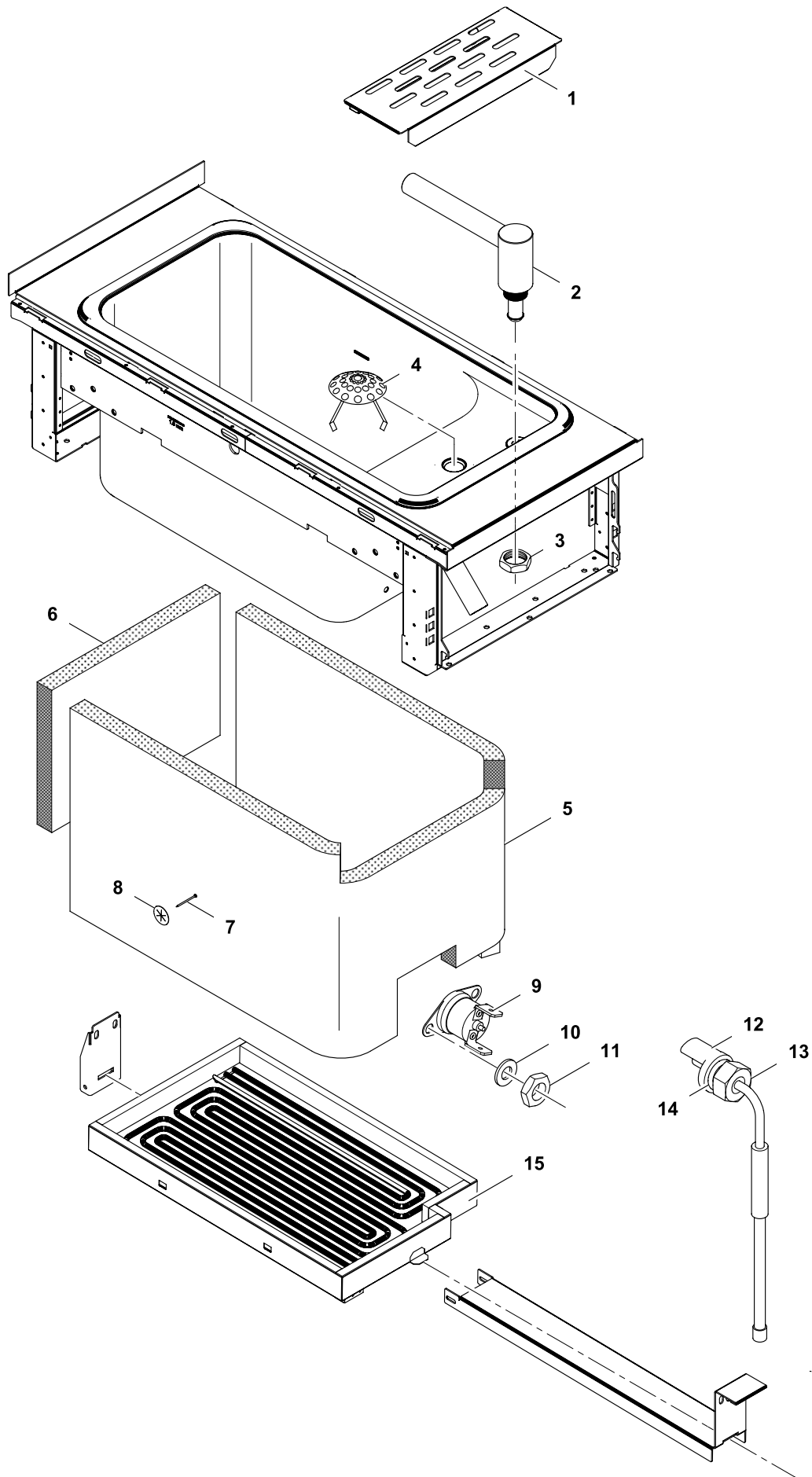
1	Alias	Code	Bezeichnung	Description	Ref.	Valid from Serial N°
1	82.7464	OC2496	Dichtband (Schaumstoff-Silikon, mlebend)	Sealing strip	f g h m	
2	82.7334	OG6396	Dichtung Geräte seitwärts (NM)	Side-sealing strip	f g h m	
3	82.7467	OC7307	Dichtband Geräte seitwärts	Side-sealing strip	f g h m	51010001
4	86.2385	OG6140	Stellfuß 2" 100mm	Adjustable feet 2" 100mm	h	
5	86.0001	OG5391	Stellfuß 2" 145-252mm rund	Adjustable feet 2" 145-252mm, round	f g	
6	83.3728	OG6886	Stellfuß 2" Marine 145-252mm	Adjustable feet 2" Marine 145-252mm	k m	
7	1 701 5051	OG6753	Fächerscheibe M6	Fan washer M6	f g h m	
8	1 701 2600	OKT919	Sechskantschraube M6x12	Hex bolt M6x12	f g h m	

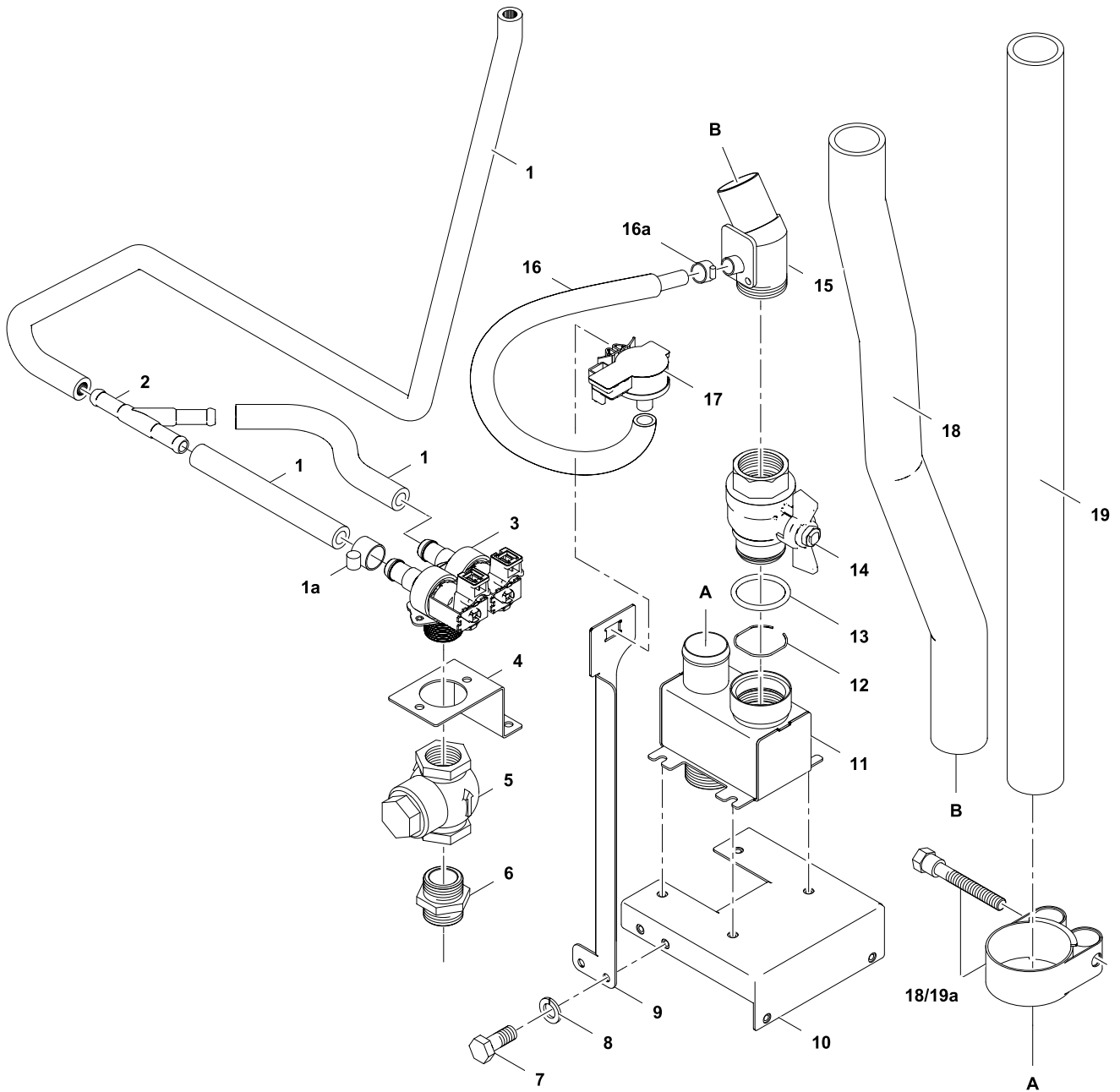


2	Alias	Code	Bezeichnung	Description	Ref.	Valid from Serial N°
1	82.3010	*	Elektrobox	Electrical compartment	f g h m	
2	1 701 3008	OG6111	Sechskantmutter M5	Hex nut M5	f g h m	
3	1 701 7002	OG2923	Fächerscheibe M5	Fan washer M5	f g h m	
4	1 701 2507	OG4653	Sechskantschraube M5x10	Hex bolt M5x10	f g h m	
5	712 044961.17	OKT854	Kabeltülle Ø25/Ø31/Ø35x10	Cable sleeve Ø25/Ø31/Ø35x10	f g h m	
6	82.9016	OG6307	Schalter off-4 Stufen + 10K Potentiometer	Switch off-line 4 steps + 10k potentiometer	f g h m	
7	82.9018	OG6310	Schalter off-line 5 Stufen + 10K Potentiometer	Switch off-line 5 steps + 10k potentiometer	f g h m	
8	712 344362.01	OG5814	Sicherung 5x20 1 00A	Fuse 5x20 1 00A	f g h m	
9	82.7093	O56582	Halter Sicherung	Fuse holder	f g h m	
10	82.7015	OG6246	Eurotas-Display	Eurotas-Display	g h m	
	72.5938.04	OKI362	Anzeigelampe grün	Indicator light, green	f	
	72.5938.08	OKI364	Einsteckfassung grün/gelb Ø10mm	Lamp holder, green/yellow, Ø10mm	f	
11	82.1027.62	*	Bedienblende Nudelkocher	Control panel pasta cooker	g h m	
	82.1049.62	*	Bedienblende Nudelkocher INOX	Control panel pasta cooker INOX	f	
12	82.7009	OG6247	Dichtung Drehgriff	Sealing for handle	f g h m	
13	82.9124.01	OG6369	Drehgriff mit Adapter 0°x6.0	Handle with adapter 0°x6.0	f g h m	
14	87.9204	OC2228	Halter Sicherung 6.3x32 500V	Fuse holder 6.3x32 500V	k	
15	82.9171	OTTR73	Sicherung 6.3x32 0.63A 500V	Fuse 6.3x32 0.63A 500V	k	
16	82.9209	006710	Autotransformator 0-240-400-440V - 150VA	Autotransformer 0-240-400-440V - 150VA	k	
	82.9001	OG6461	Kabel: Sparta - Display (L 2200mm)	Cable: sparta - display (L 2200mm)	g h m	
	82.9044.02	OG6181	Kabel: Sparta - Potentiometer (L 2000mm)	Cable: sparta - potentiometer (L 2000mm)	f	
	82.9002	OG6897	Kabel: Display - Display (L 290mm)	Cable: display - display (L 290mm)	g h m	
	82.9045	OG6898	Kabel: Anzeigelampe (L 2000mm)	Cable: indicator light (L 2000mm)	f	
	82.9003	OG6899	Kabel: Potentiometer - Display (L 200mm)	Cable: potentiometer - display (L 200MM)	g h m	
	82.9005	OG6729	Kabel: Sicherheitstherm. - F1 - Schalter	Cable: safety therm. - F1 - switch	f g h m	
	82.9193	OG6900	Kabel: Elektrobox Marine	Cable: electrical compartment Marine	k	



3	Alias	Code	Bezeichnung	Description	Ref.	Valid from Serial N°
1	82.0239.02	*	Abdeckung Ablaufhahn links	Cover sheet drain opening left	g h m	
	82.0141.02	*	Abdeckung Ablaufhahn links /NHC	Cover sheet drain opening left /NHC	f	
2	82.0239.01	*	Abdeckung Ablaufhahn rechts	Cover sheet drain opening right	g h m	
	82.0141.02	*	Abdeckung Ablaufhahn rechts /NHC	Cover sheet drain opening right/NHC	f	
3	1 701 1143	OG6901	Linsenkopfschraube M5x12	Lenshead screw	f g h m	
4	1 701 7002	OG2923	Fächerscheibe M5	Fan waher M5	f g h m	
5	1 701 2509	OK4598	Sechskantschraube M5x12	Hex bolt M5x12	f g h m	
6	82.7014.KD	OG6221	Mainboard SPARTA	Mainboard SPARTA	f g h m	
7	75.5000	OG4212	Distanzhalter munststoff	Plastic spacer support	f g h m	
8	1 115 1757	OG4645	Schütz K3-14X027	Conductor K3-14X027	f g h m	
9	82.7023	058613	Klemme FV122	Cable terminal FV122	f g h m	
10	712 044120.04	OG4918	Keps Mutter M4	Keps nut M4	f g h m	
11	82.2066	*	Befestigungsblech Ventilator	Ventilator fixation sheet	f g h m	
12	82.7021	OC3967	Ventilator EBMPAPST Mod.8556 VWR-669	Ventilator EBMPAPST Mod.8556 VWR-669	f g h m	
13	1 701 2084	OG3586	Zylinderschraube M4x25	Allen set screw M4x25	f g h m	
14	82.7159	OG6274	Ventilator 60x60x25 622HH (3.5W)	Cooling fan 60x60x25 622HH (3.5W)	f g h m	
15	82.3009	*	Halteblech Ventilator	Cooling fan support	f g h m	
16	1 701 3540	2K1478	Unterlegscheibe M3	Washer M3	f g h m	
17	1 701 1083	OG5755	Zylinderkopfschraube M3x30	Socket cap screw M3x30	f g h m	
18	82.7023	058613	Klemme FV122	Cable terminal FV122	f g h m	
19	82.9103	OG6424	Kabel: Haupterd draht L 400 6mm ²	Cable: Main earthing cable L400 6mm ²	f g h m	
	82.9000	???	Kabel: X1 - m1 - m2	Cable: X1 - m1 - m2	f g h m	
	82.9006	OG6903	Kabel: Sparta - N -Schalter - P	Cable: Sparta - N - Switch - P	f g h m	
	82.9007	OG6904	Kabel: Sparta - Ventil	Cable: Sparta - Valve	f g h m	
	82.9061	OG6905	Kabel: Sparta - Drucksensor	Cable: Sparta - Pressure sensor	f g h m	
	82.9009	OG6906	Kabel: Sparta - Ventilator	Cable: Sparta - Ventilator	f g h m	
	82.9035.02	???	Kabel: Sparta - X0 - X1 Hauptzul. 5x2.5mm ²	Cable: Sparta - X0 - X1 mains 5x2.5mm ²	f g h m	
	82.2809	OC0068	Kabelverschraubung PG21	Plastic cable gland PG21	f g h m	





5	Alias	Code	Bezeichnung	Description	Ref.	Valid from Serial N°
1	82.4260	0C4832	Silikondruckschlauch Ø16.6 Ø9.5	Silicon pressure hose Ø16.6 Ø9.5	f g h m	
1a	12.9924	0G2824	Schlauchklemme 8-14	Hose clamp 8-14	f g h m	
2	82.7115	0C5566	T-Stück	Tee connection	f g h m	
3	82.7035	0C6137	Magnetventil V290	Solenoid valve V290	f g h m	
4	82.2014	*	Halter Wasserklappe	Water inlet support	f g h m	
5	76.3431	0G4583	Rückschlagventil 3/4"	Check valve 3/4"	f g h m	
6	1 102 2457	0G5419	Doppelnippel 3/4"	Double nipple 3/4"	f g h m	
7	1 701 2509	0K4598	Sechskantschraube M5x12	Hex bolt M5x12	f g h m	
8	1 701 5004	0H9734	Federring M5	Spring washer M5	f g h m	
9	82.2442	*	Halter Drucksensor	Pressure sensor support	f g h m	
10	82.7329	*	Halter Abfluss	Drain support	f g h m	
11	82.7028	0C9660	Abwasserauslass	Drain water outlet	f g h m	
12	82.7031	0C8456	Klemmring	Clamp ring	f g h m	
13	82.7030	0C6800	O-Ring D32.93x3.53	O-ring D32.93x3.53	f g h m	
14	82.7274	0G6912	Kugelhahn	Ball valve	f g h m	
15	82.7273.01	*	Ablaufanschluss	Drain connection	f g h m	
16	82.7098_2	0C0723	Silikondruckschlauch Ø16 Ø4	Silicon pressure hose Ø16 Ø4	f g h m	
16a	82.7234	0G6913	Schlauchklemme 10-16	Hose clamp 10-16	f g h m	
17	82.9060	0G6323	Drucksensor 100mbar	Pressure sensor 100mbar	f g h m	
18	82.7173.05	0G6794	EPDM Schlauch Ø38 Ø30 L=550	EPDM hose Ø38 Ø30 L=550	f g h m	
19	1 201 1886	0KT930	EPDM Schlauch Ø38 Ø30 L=180	EPDM hose Ø38 Ø30 L=180	f g h m	
18/19a	1 701 2814	0G4728	Schlauchklemme 25-40	Hose clamp 25-40	f g h m	

