

**DE** EL. BRAT- UND KOCHPLATTEN AUF BACKOFEN  
 EL. BRAT- UND KOCHPLATTEN AUF WÄRMESCHRANK  
**EN** EL. FREE COOKING TOPS ON STATIC OVEN  
 EL. FREE COOKING TOPS ON WARMING CABINET

### Units with oven

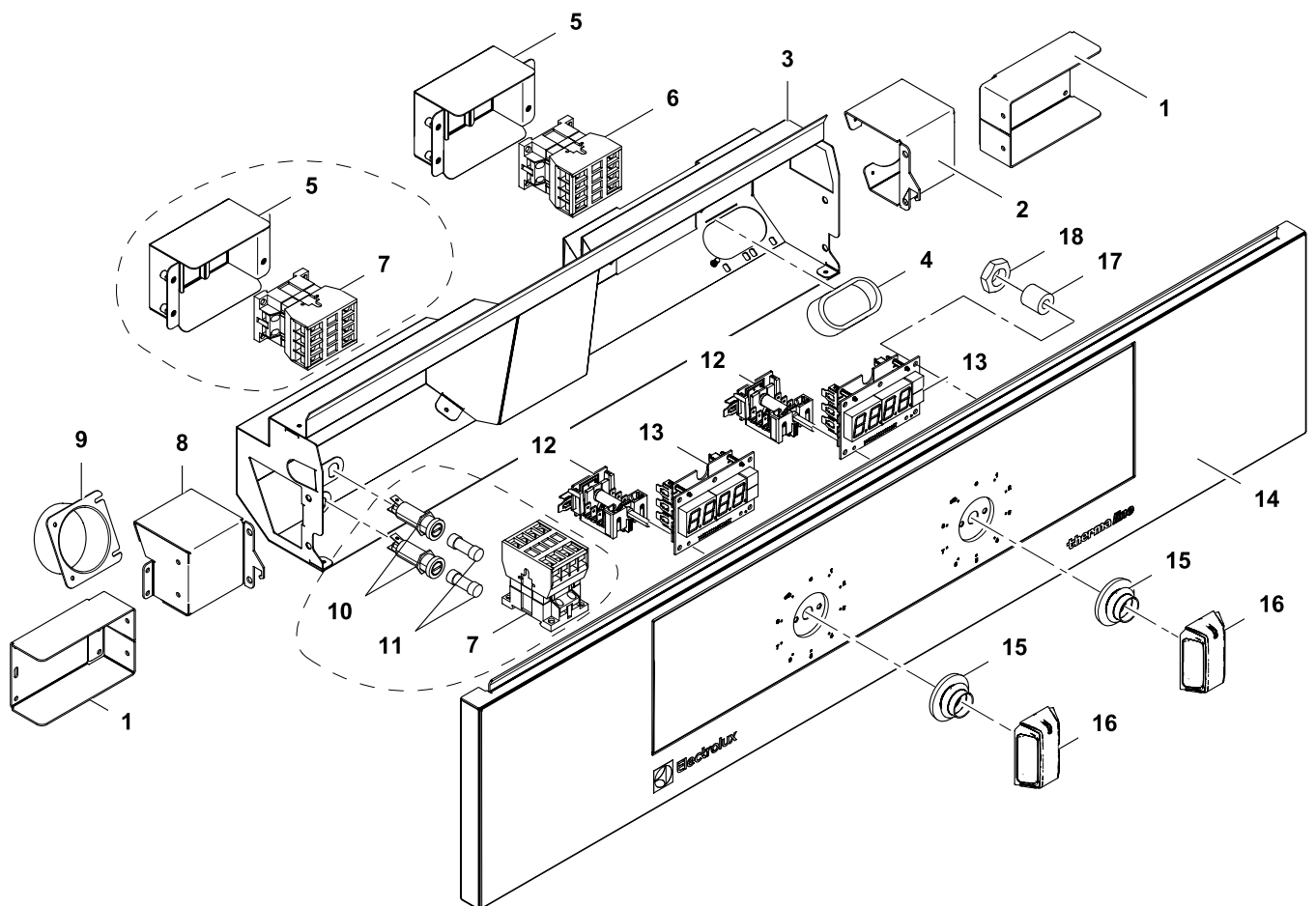
PNC	Factory Model	Ref.	Description
588423	MATGEAH8AO	a	FREE COOKING TOP ON OVEN, 800X800X700H
588424	MATGEBH8AO	a	FREE COOKING TOP ON OVEN, C-BOARD, 800X800X700H
588425	MATGFAH8AO	b	FREE COOKING TOP ON OVEN, 800X800X800H
588426	MATGFBH8AO	b	FREE COOKING TOP ON OVEN, C-BOARD, 800X800X800H
588696	MBTGGBH8AO	c	FREE COOKING TOP ON OVEN, C-BOARD, 800X850X700H
589661	MCTGEAJ8AO	d	FREE COOKING TOP ON OVEN, 1000X900X700H
589662	MCTGEBJ8AO	d	FREE COOKING TOP ON OVEN, C-BOARD, 1000X900X700H
589663	MCTGFAJ8AO	e	FREE COOKING TOP ON OVEN, 1000X900X800H
589664	MCTGFBJ8AO	e	FREE COOKING TOP ON OVEN, C-BOARD, 1000X900X800H
589894	MCTGEAJ8DM	f	MARINE* FREE COOKING TOP ON OVEN, 1000X900X700H

### Units with warming cabinet

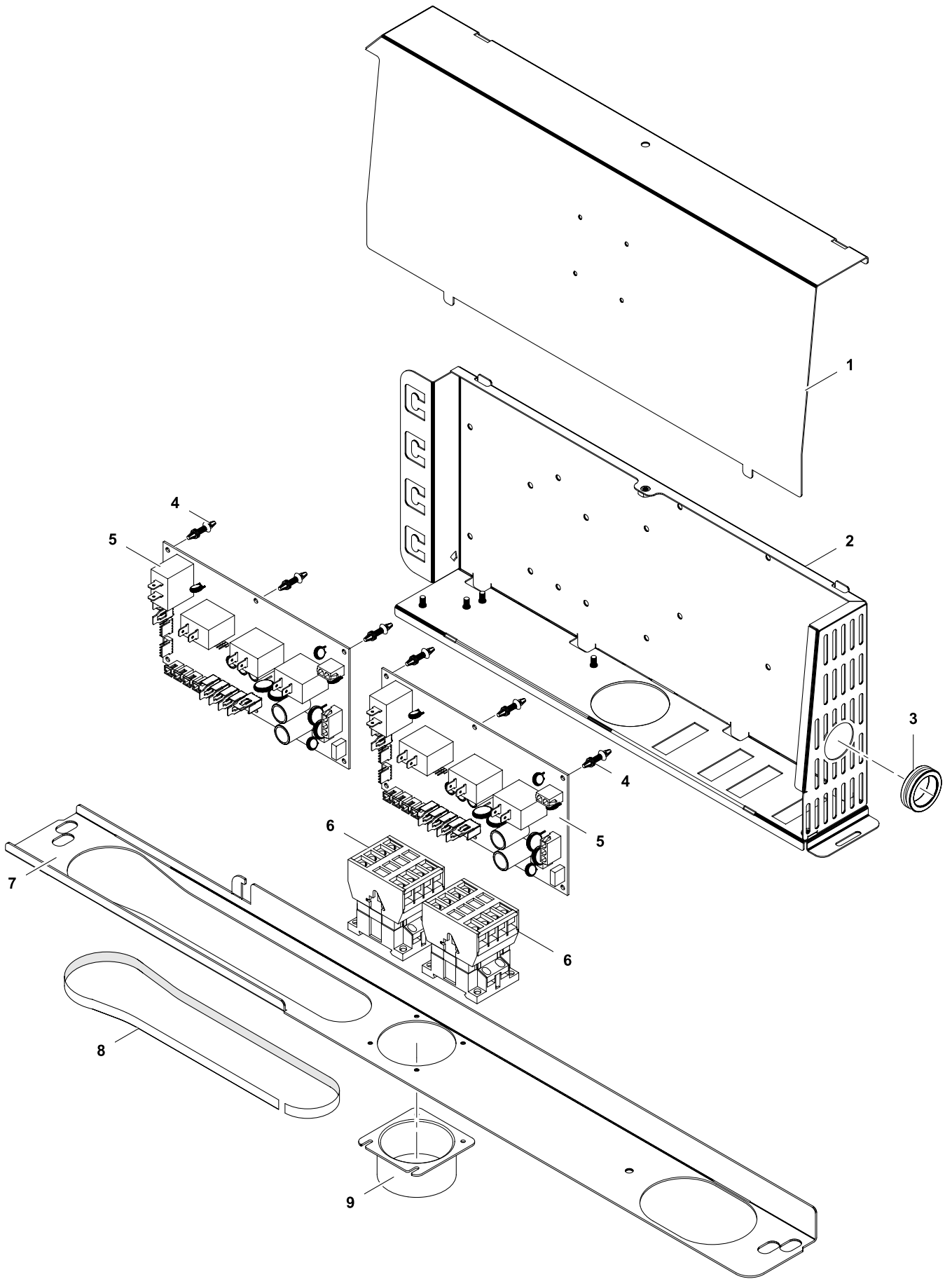
PNC	Factory Model	Ref.	Description
588469	MATHEAH4AO	h	FREE COOKING TOP ON WARMING CABINET, 800X800X700H
588470	MATHEBH4AO	h	FREE COOKING TOP ON WARMING CABINET, C-BOARD, 800X800X700H
588471	MATHFAH4AO	k	FREE COOKING TOP ON WARMING CABINET, 800X800X800H
588472	MATHFBH4AO	k	FREE COOKING TOP ON WARMING CABINET, C-BOARD, 800X800X800H
588708	MBTHGBH4AO	l	FREE COOKING TOP ON WARMING CABINET, C-BOARD, 800X850X700H
588709	MBTIGBH4AO	m	FREE COOKING TOP ON WARMING CABINET, C-BOARD, 800X850X700H
589707	MCTHEAJ4AO	n	FREE COOKING TOP ON WARMING CABINET, 1000X900X700H
589708	MCTHEBJ4AO	n	FREE COOKING TOP ON WARMING CABINET, C-BOARD, 1000X900X700H
589709	MCTHFAJ4AO	o	FREE COOKING TOP ON WARMING CABINET, 1000X900X800H
589710	MCTHFBJ4AO	o	FREE COOKING TOP ON WARMING CABINET, C-BOARD, 1000X900X800H

Page	Index	Last Updates	Page
2	Electrical compartment	Ed. 01/2015	all
4	Sparta box		
6	Mechanical module		
8	Grease drawer		
10	Aeration kit		
12	Terminal		
13	Top		
14	Oven		
16	Warming cabinet		
18	Control panel oven		
19	Control panel warming cabinet		
20	Base		

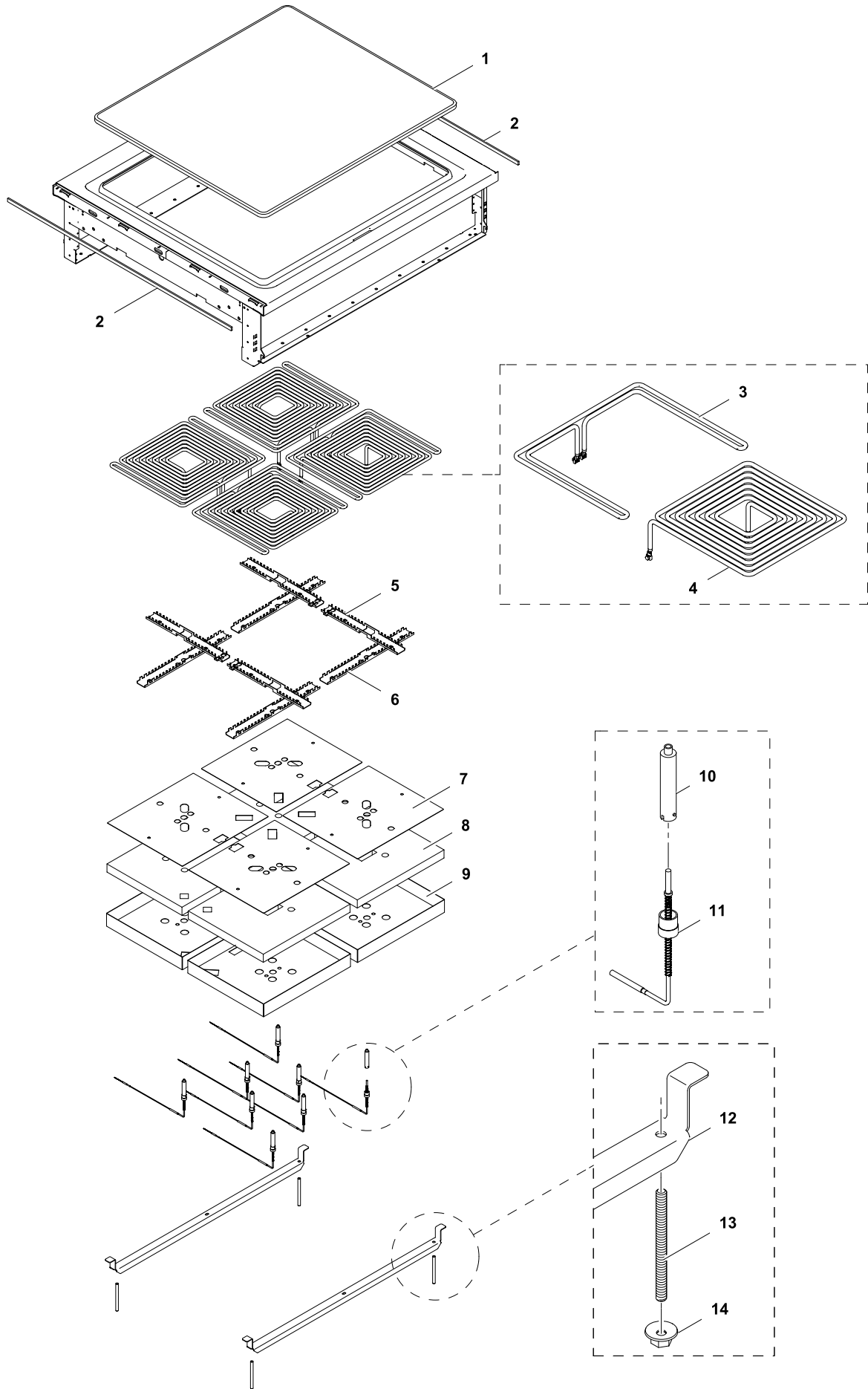
Valid from Ser. № 3101....



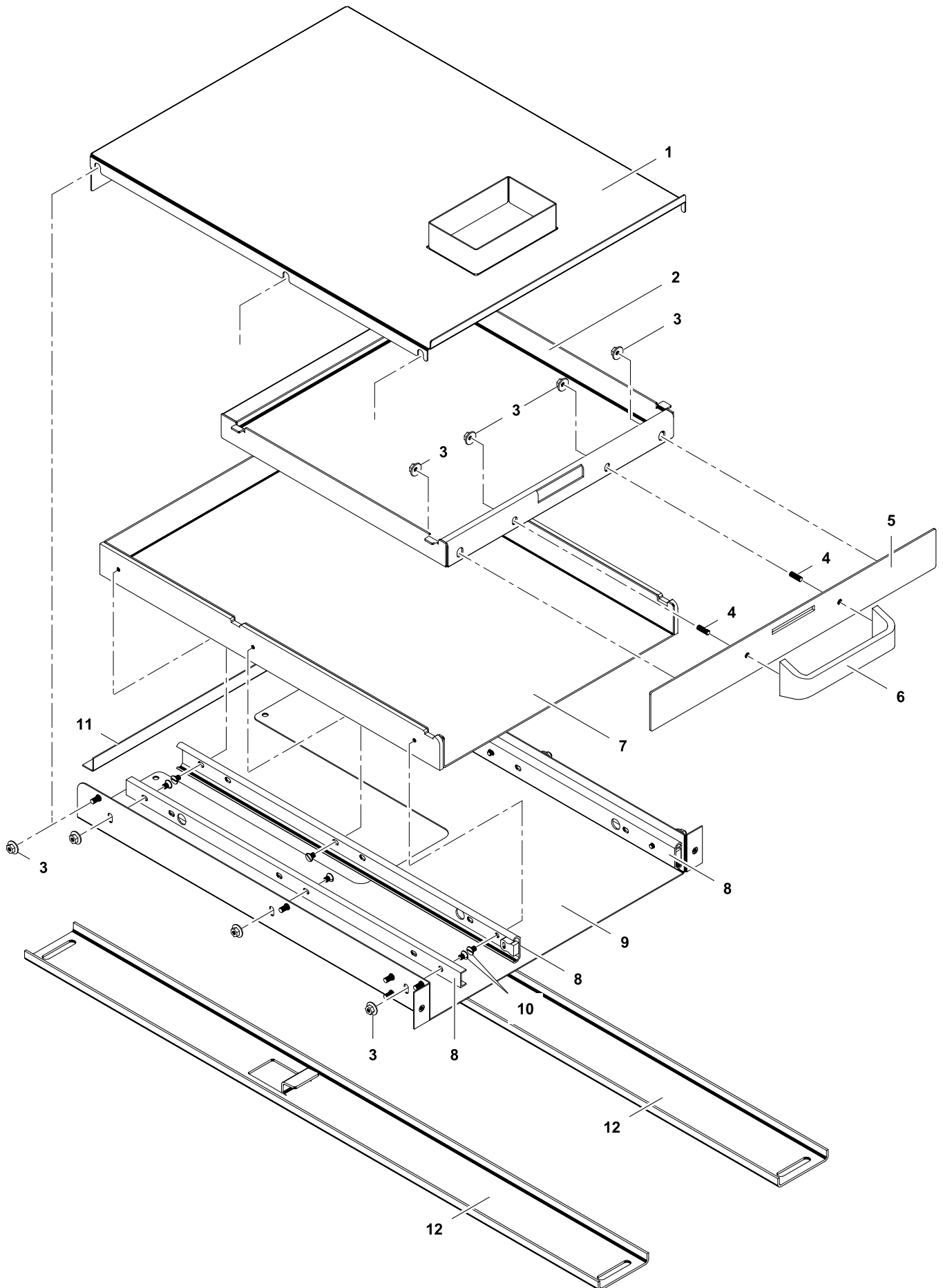
1	Alias	Code	Bezeichnung	Description	Ref.	Valid from Serial N°
1	82.3004.01	*	Halterung Ventilationsbox L=100	Ventilation box support	all types	
2	82.3002	*	Standardventilationsbox rechts	Ventilation box right	all types	
3	82.3034	*	Elektrobox 4 Zonen	Electrical compartment 4 zones	all types	
4	1 201 2086	OG4872	Kantenschutz	Edge protection	all types	
5	82.3045	OG7012	Aufsteckblech	Conductor box	all types	
6	82.9228	???	Schütz K2-30A00-40	Conductor K2-30A00-40	all types	
7	1 115 1757	OG4645	Schütz K3-14x027	Conductor K3-14x027	all types	
8	82.3001	*	Standardventilationsbox links	Ventilation box left	all types	
9	83.3021	*	Rohrstutzen Ø 60.3	Pipe socket Ø 60.3	all types	
10	879204	OC2228	Sicherungshalter Schurter 6.3x32 500V	Fuse holder Schurter 6.3x32 500V	Marine	
11	82.9171	OTTR73	Sicherung 6.3x32 0.63A 500V	Fuse 6.3x32 0.63A 500V	Marine	
12	82.9014	OG6245	Schalter off-Lin-Stby + 10k Poti	Switch off-Lin-Stby + 10k poti	all types	
12a					4 8 (Marine)	
13	82.7015	OG6246	Eurotas Display	Eurotas Display	D800/900	
	72.5938.04	OKI362	Anzeigelampe grün	Indicator light, green	D850	
	72.5938.08	OKI364	Einsteckfassung grün/gelb Ø10mm	Lamp holder, green/yellow, Ø10mm	D850	
	72.5938.03	OKI361	Anzeigelampe klar	Indicator light, clear	D850	
	72.5938.07	OKI363	Einsteckfassung klar Ø10mm	Lamp holder, clear, Ø10mm	D850	
14	82.1027.115	*	Bedienblende 800 1S (Schublade)	Control panel 800 1S (drawer)	a b h k	
	82.1049.53	*	Bedienb. 800 1S INOX (Schublade)	Control panel 800 1S INOX (drawer)	c l m	
	82.1027.53	*	Bedienblende 1000 1S (Schublade)	Control panel 1000 1S (drawer)	d e f n o	
15	82.7009	OG6247	Dichtung Drehgriff	Sealing for handle	all types	
16	82.9124.01	OG6369	Drehgriff mit Adapter 0°x6.0	Handle with adapter 0°x6.0	all types	
17	76.3011	OG3093	Distanzhalter 8mm	Spacer 8mm	D800/900	
18	712 044120.04	OG4918	Keps-Mutter M4	Keps nut M4	all types	
	82.9001	OG6461	Kabel: Sparta - Display L2200	Cable: Sparta - Display L2200	D800/D900 Standard	
	82.9002	OG6897	Kabel: Display - Display L290	Cable: Display - Display L290	D800/D900 Standard	
	82.9003	OG6899	Kabel: Potentiometer - Dispaly L200	Cable: Potentiometer - Dispaly L200	D800/D900 Standard	
	82.9009	OG6906	Kabel: Sparta - Ventilator L2000	Cable: Sparta - Ventilator L2000	all Standard	
	82.9107	???	Kabel: Sparta - Sparta Kommunikation	Cable: Sparta - Sparta communication	all Standard	
	82.9077	???	Kabel: X0 - RL - Heizungen 12 /3kW	Cable: X0 - RL - heating el. 12 /3kW	D800/850	
	82.9078	???	Kabel: X0 - RL - Heizungen 34 /3kW	Cable: X0 - RL - heating el. 34 /3kW	D800/850	
	82.9079	???	Kabel: X0 - RL - Heizungen 12 /4kW	Cable: X0 - RL - heating el. 12 /4kW	D900	
	28.9080	???	Kabel: X0 - RL - Heizungen 34 /4kW	Cable: X0 - RL - heating el. 34 /4kW	D900	
	82.9125	???	Kabel: Sparta - N - Schalter - P 12	Cable: Sparta - N - switch - P 12	D900	
	82.9126	???	Kabel: Sparta - N - Schalter - P 34	Cable: Sparta - N - switch - P 34	D900	
	82.9081	???	Kabel: Sparta - N - Schalter - P 12 XD	Cable: Sparta - N - switch - P 12 XD	D850	
	82.9082	???	Kabel: Sparta - N - Schalter - P 34 XD	Cable: Sparta - N - switch - P 34 XD	D850	
	82.9083	???	Kabel: Sparta - N - Schalter - P 12	Cable: Sparta - N - switch - P 12	D800	
	82.9084	???	Kabel: Sparta - N - Schalter - P 34	Cable: Sparta - N - switch - P 34	D800	
	82.9022.03	???	Kabel: Schalter S2/3 - Schalter S4 kurz	Cable: switch S2/3 - switch S4 short	all Standard	
	82.9224.03	???	Kabel: Schalter - Schütz KS	Cable switch - Sconductor KS	all Standard	
	82.9113.01	???	Kabel: Anzeigelampe - A5 FCT	Cable: Indicator light - A5 FCT	D850	
	82.9113.02	???	Kabel: Anzeigelampe - A6 FCT	Cable: Indicator light - A6 FCT	D850	
	82.9044.02	OG6181	Kabel: Sparta - Potentiometer L200	Cable: Sparta - potentiometer L200	D850	
	82.9198	OG6946	Kabelbaum 4Z Marine	Wiring harness 4Z Marine	4Zones Marine	



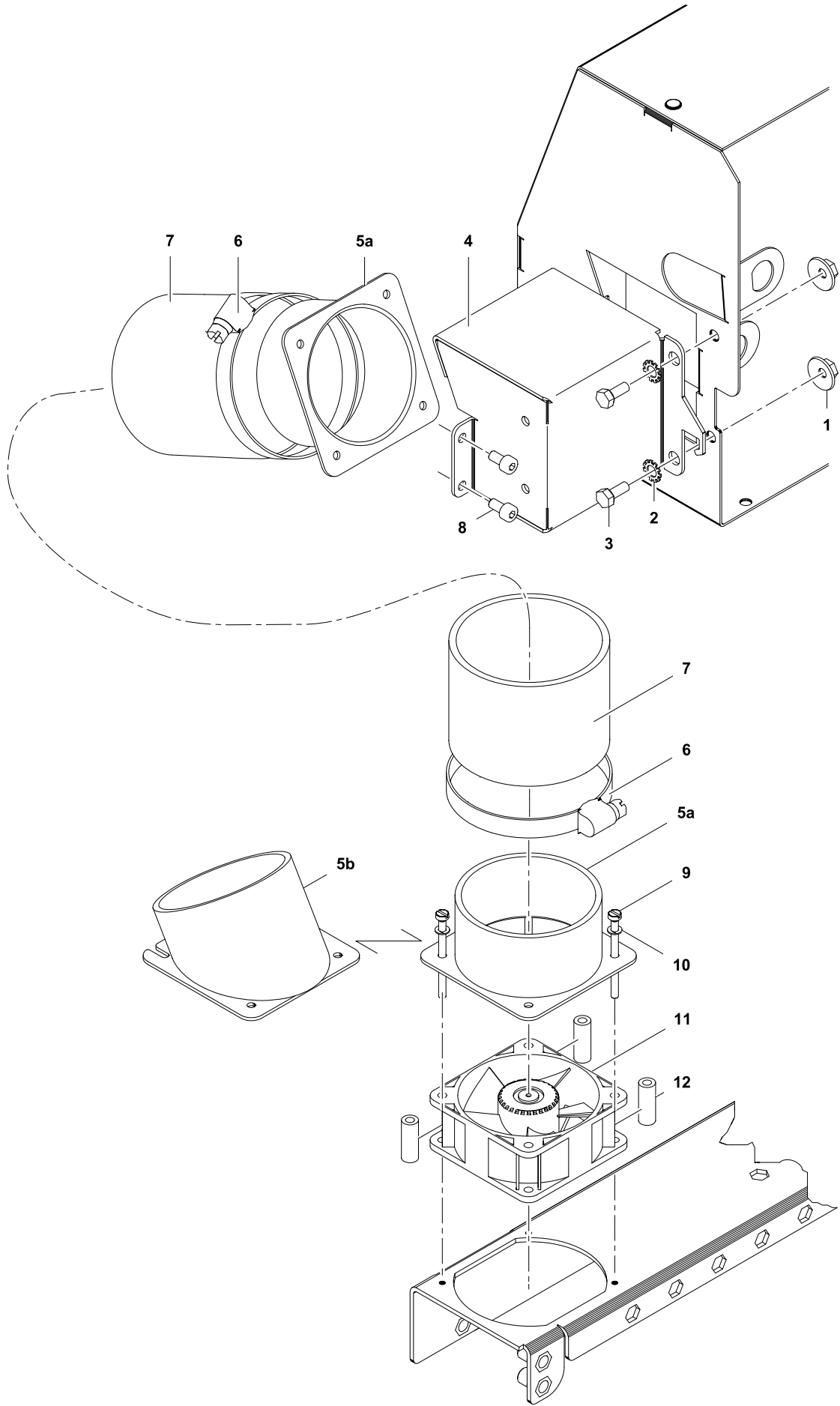




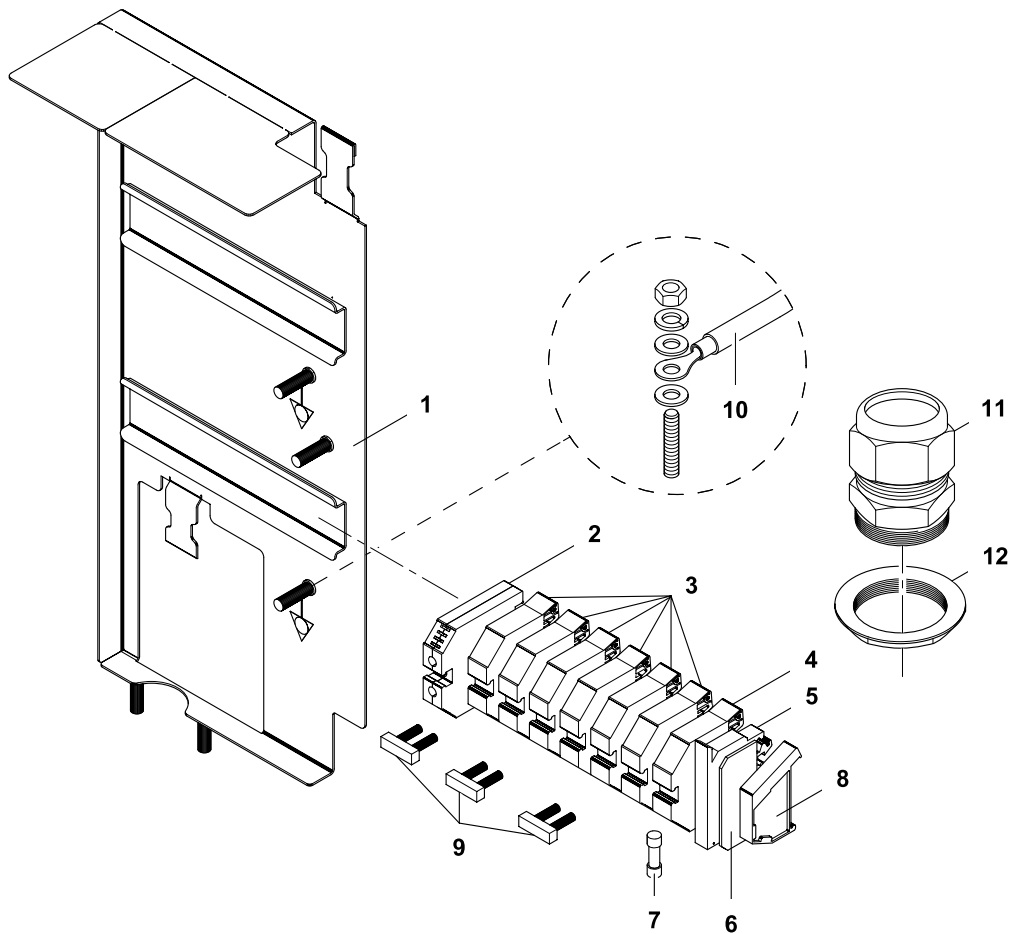
3	Alias	Code	Bezeichnung	Description	Ref.	Valid from Serial N°
1	82.7324.01	???	Platte Free cooking Top 1000x900	Plate Free cooking Top 1000x900	W1000/D900	
	82.7322.01	???	Platte FCT 800x800/850	Plate FCT 800x800/850	W800/D800/850	
2	82.7464	OC2496	Dichtband (klebend)	Sealing strip	all 4 Zone	
3	82.7166.02	OG6252	Heizelement 1kW 230V	Heating element 1kW 230V	Standard 4Z/D900	
	82.7166.07	OG6951	Heizelement 1kW 440V (Marine)	Heating element 1kW 440V (marine)	Marine 4Z/D900	
4	82.7257.02	OG6251	Heizelement 3kW 230V	Heating element 3kW 230V	Standard 4Z/D900	
	82.7257.07	OG6952	Heizelement 3kW 440V (Marine)	Heating element 3kW 440V (marine)	Marine 4Z/D900	
5	82.2232	???	Heizungshalter längs 800	Heating element support lengthwise	4Zone, D800/850	
	82.2188	???	Heizungshalter längs 1000	Heating element support lengthwise	4Zone, D900	
6	82.2231	???	Heizungshalter quer 800	Heating element support crosswise	4Zone, D800/850	
	82.2187	???	Heizungshalter quer 1000	Heating element support crosswise	4Zone, D900	
7	82.2233	???	Strahlungsblech 800	Radiation sheet 800	4Zone, D800/850	
	82.2189	???	Strahlungsblech 1000	Radiation sheet 1000	4Zone, D900	
8	82.7307.01	???	Isolation Heizelement 3kW	Insulation heating element 3kW	4Zone, D800/850	
	82.7307.02	???	Isolation Heizelement 4kW	Insulation heating element 4kW	4Zone, D900	
9	82.2234	???	Verschalung 800	Cover sheet 800	4Zone, D800/850	
	82.2190	???	Verschalung 1000	Cover sheet 1000	4Zone, D900	
10	75.9013.04	OKE127	Fühlerschutz	Sensor protection	all 4 Zone	
11	87.9045	OG5935	TC Bodenfühler rechts (blau)	TC bottom sensor right (blue)	all 4 Zone	
12	82.1127.01	???	Befestigungsbügel 800	Support	4Zone, D800/850	
	82.1127.02	???	Befestigungsbügel 1000	Support	4Zone, D900	
13	72.0343.01	OKD994	Gewindestift M8x100	Set screw M8X100	all 4 Zone	
14	712 044120.08	???	Keps Mutter M8	Keps nut M8	all 4 Zone	



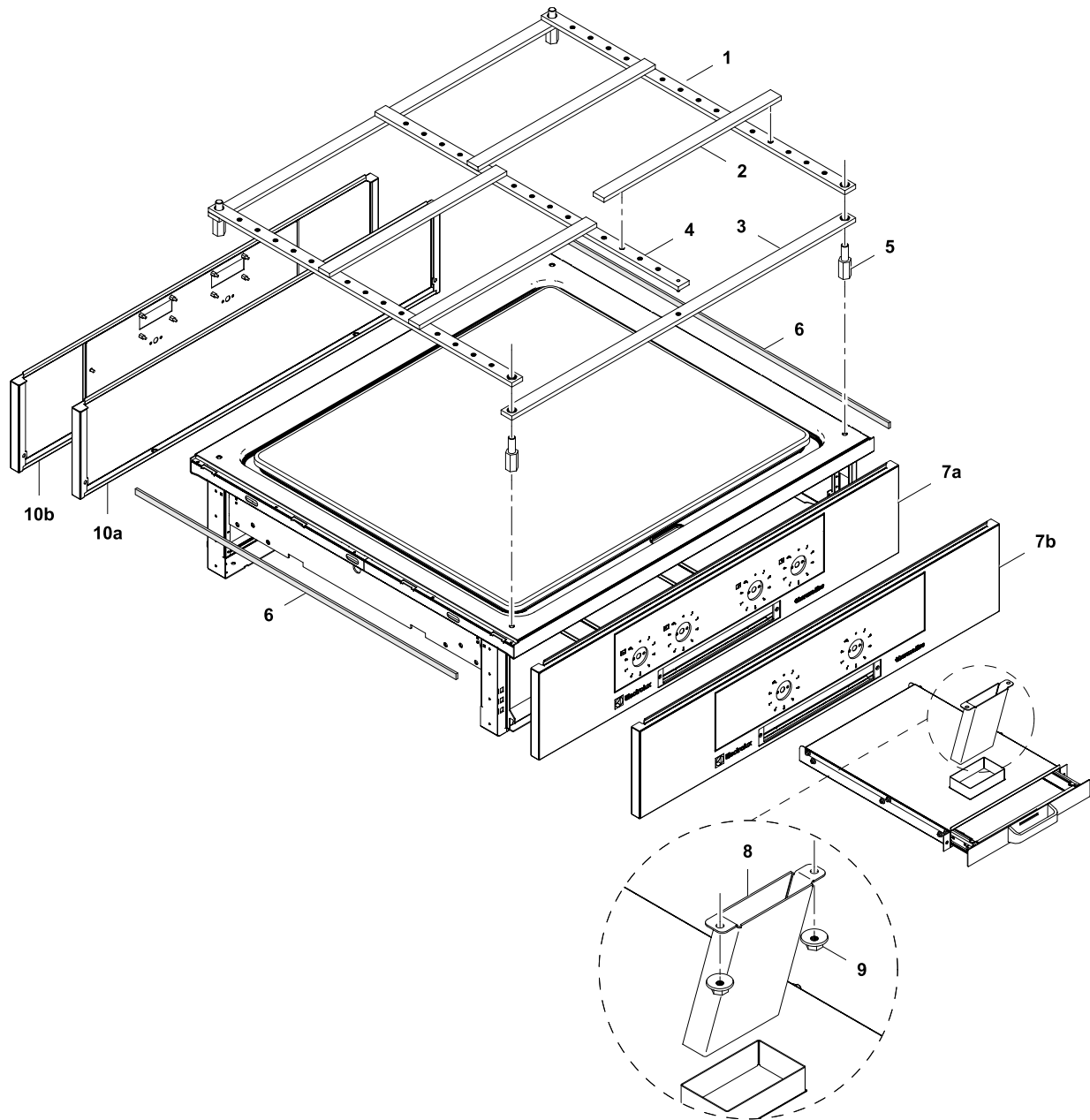






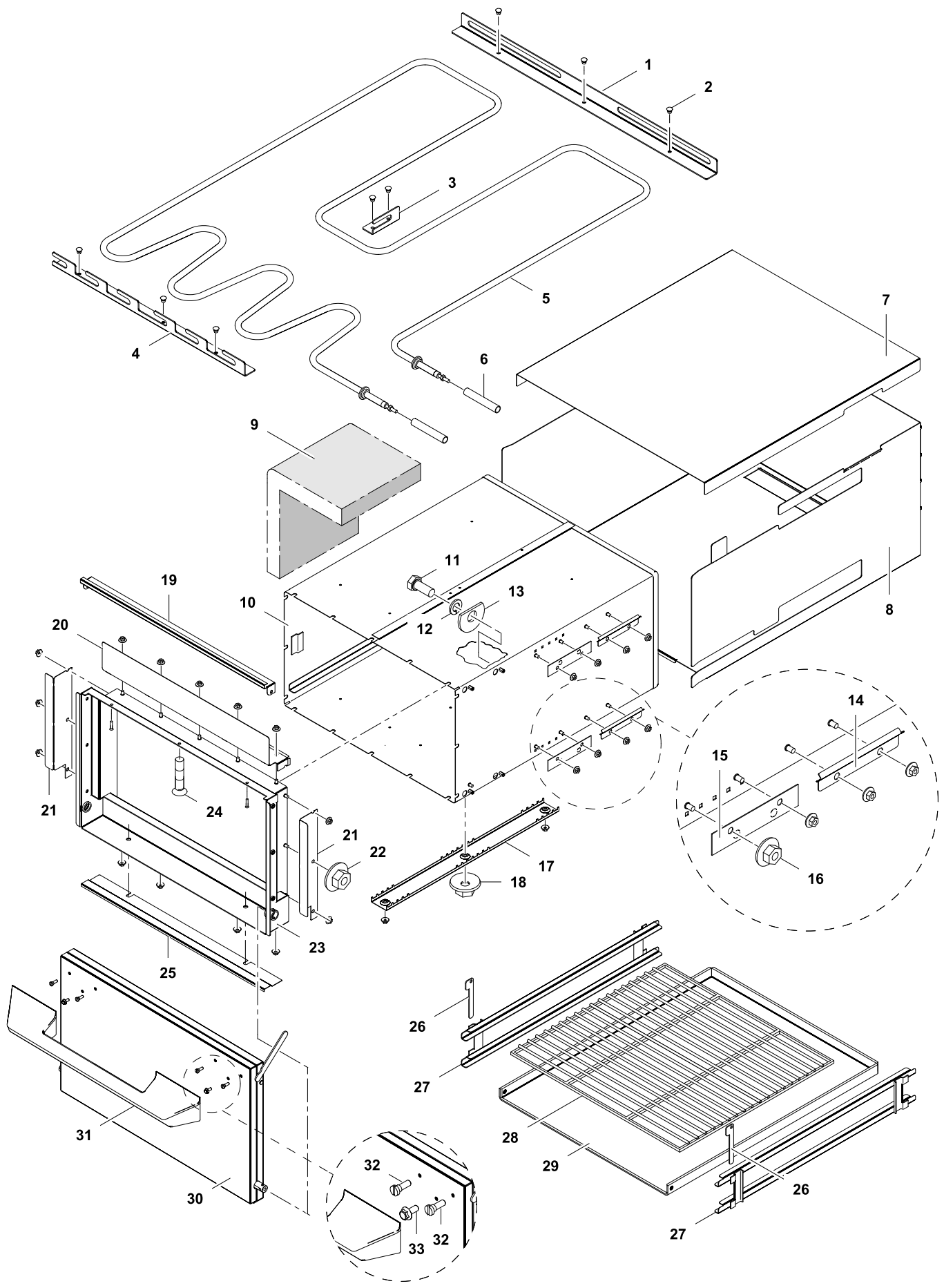


6	Alias	Code	Bezeichnung	Description	Ref.	Valid from Serial N°
1	82.3030.02	<a href="#">OG6423</a>	Klemmenträger	Terminal support	all types	
2	75.2011.03	<a href="#">OKX291</a>	Schutzleiterklemme 16mm <sup>2</sup>	Ground conductor terminal 16mm <sup>2</sup>	all types	
3	75.2010.40	<a href="#">OKI280</a>	Reihenklemme 16mm <sup>2</sup> grau	Terminal block 16mm <sup>2</sup> grey	all types	
4	75.2010.41	<a href="#">OG3488</a>	Nullleiterklemme 16mm <sup>2</sup> blau	Neutral wire terminal 16mm <sup>2</sup> blue	all types/not in Marine	
5	75.2012.01	<a href="#">OK5155</a>	Sicherungsklemme	Fuse holder terminal	all types	
6	75.2012.02	<a href="#">OT2599</a>	Abschlusswand	Cover for fuse holder terminal	all types	
7	712 344362.01	<a href="#">OG5814</a>	Sicherung 5x20 1 00A	Fuse 5x20 1 00AF	all types	
8	75.2013	<a href="#">OKX290</a>	Arretierstück	Fixation	all types	
9	75.2010.44	<a href="#">OKT731</a>	Querverbinder	Cross connection	all types	
10	82.9103	<a href="#">OG6424</a>	Kabel Haupterd draht L400 6mm <sup>2</sup>	Main earthing cable L400 6mm <sup>2</sup>	all types	
	62.1504.03	<a href="#">OG5977</a>	Verdrahtung 2.5mmx800	Wiring 2.5mmx800	all types	
11	82.2809	<a href="#">OC0068</a>	PG21 Kabelverschraubung	Cable gland PG21	all types	
12	82.9226	<a href="#">OG7024</a>	PG21 Sicherungsmutter	Lock nut PG21	all types	

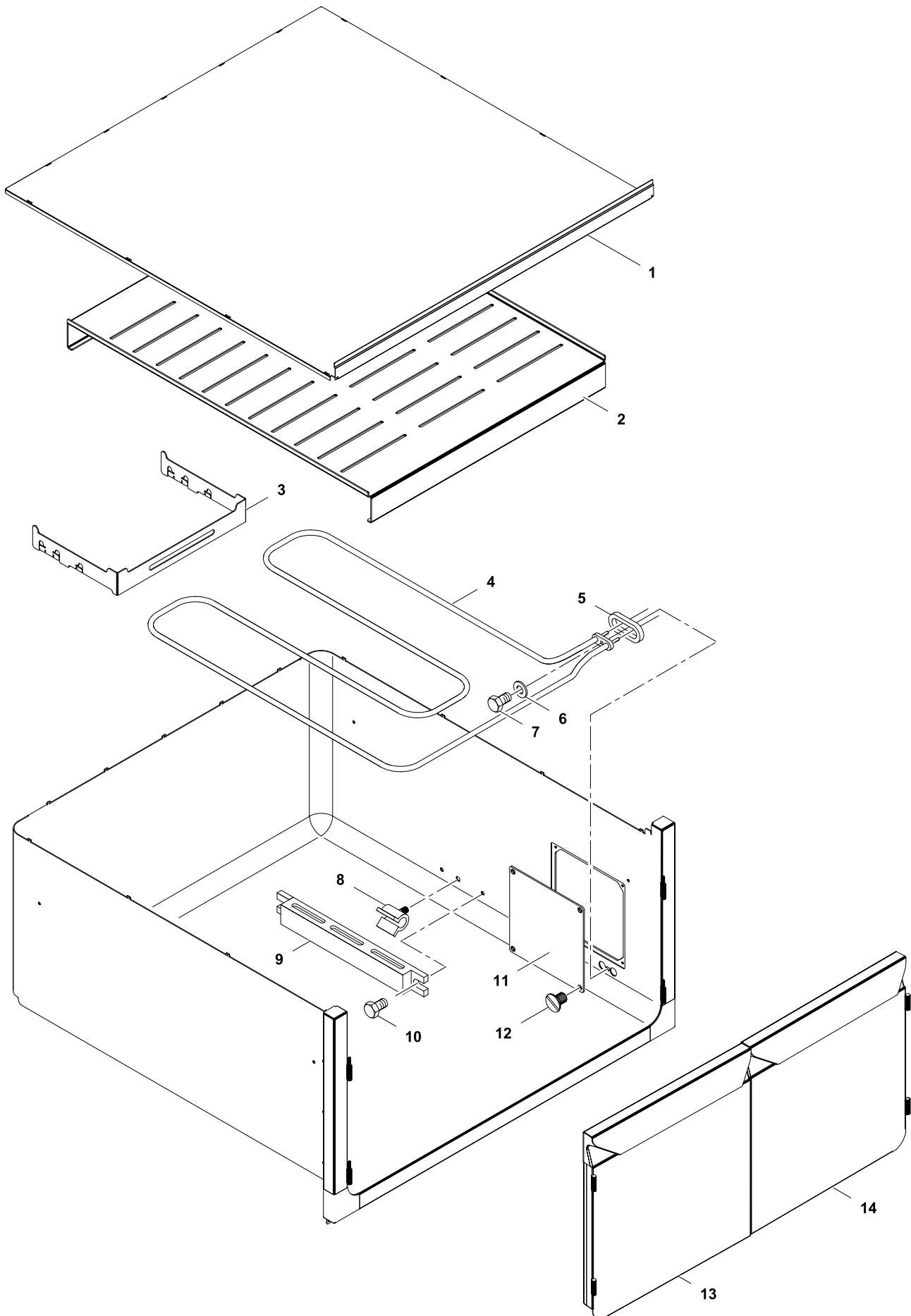


7	Alias	Code	Bezeichnung	Description	Ref.	Valid from Serial N°
	83.3745	<b>OG7017</b>	Schlingerstange komplet 1000	Set roling racks 1000	4Zones Marine	
1	83.3741	???	Schiene-1000 15xØ8	Rolling rack-1000 15xØ8	4Zones Marine	
2	83.3744	???	Schiene-1000 2xØ6	Rolling rack-1000 2xØ6	4Zones Marine	
3	83.3743	???	Schiene-1000 2xØ17	Rolling rack-1000 2xØ17	4Zones Marine	
4	83.3742	???	Schiene-1000 15xØ8 mittig	Rolling rack-1000 15xØ8 mittig	4Zones Marine	
5	705 040432	<b>OG5862</b>	Abstandsbolzen 22x80/M8	Spacer bolt 22x80/M8	all Marine	
6	82.7464	<b>OC2496</b>	Dichtband (klebend)	Sealing strip	all types	
7	82.1027.115	*	Bedienblende 800 1S (Schublade)	Control panel 800 1S (drawer)	a b h k	
	82.1049.53	*	Bedienb. 800 1S INOX (Schublade)	Control panel 800 1S INOX (drawer)	c l m	
	82.1027.53	*	Bedienblende 1000 1S (Schublade)	Control panel 1000 1S (drawer)	d e f n o	
8	82.2684	???	Ablauf	Drain	all types	
9	712 044120.04	<b>OG4918</b>	Keps-Mutter M4	Keps nut M4	all types	
10	82.1000.05	*	Blende 800	Panel 800	a b h k	
	82.1000.07	*	Blende 1000	Panel 1000	d e f n o	

\* Components on demand  
\* Teile auf Anfrage

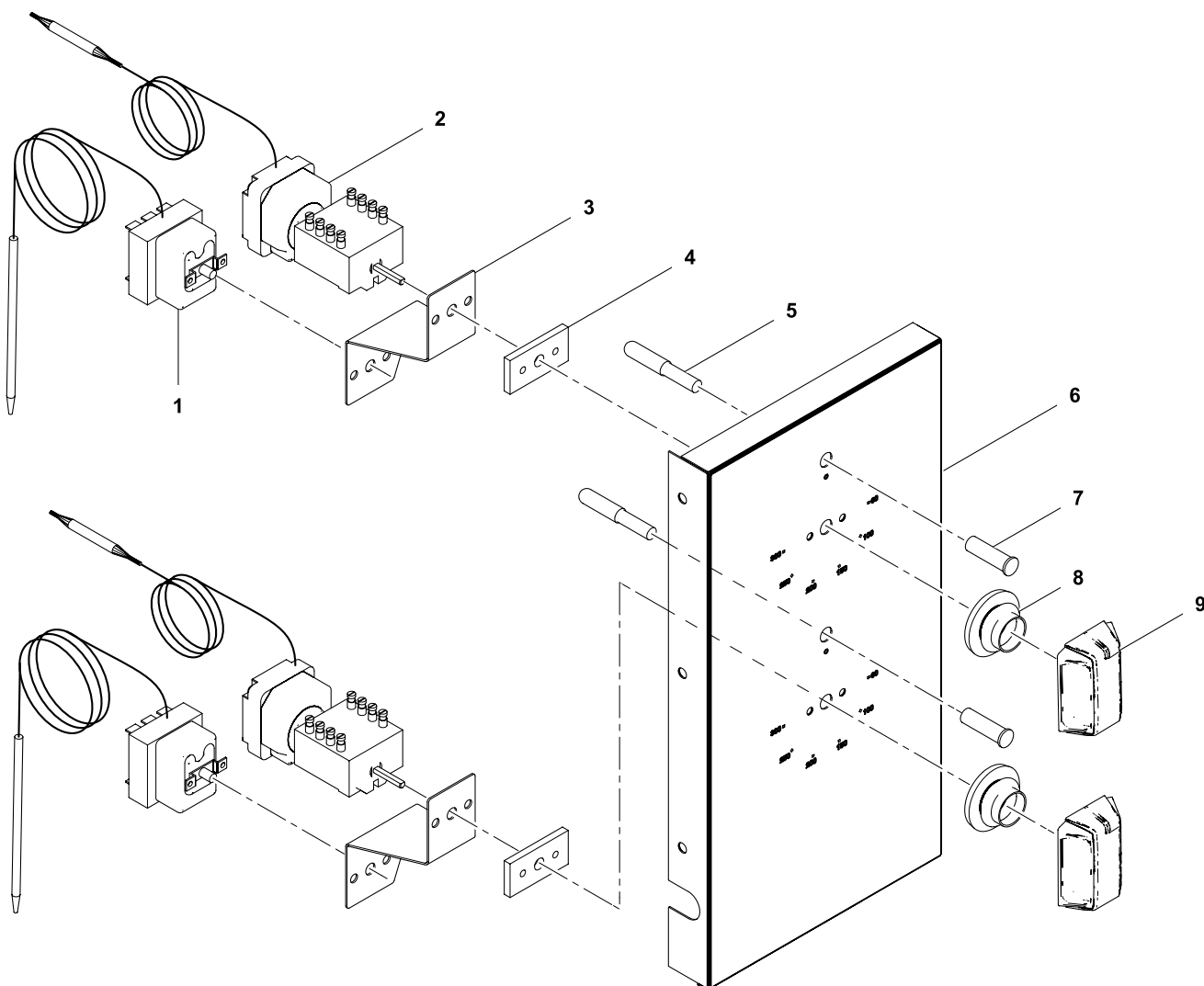


8	Alias	Code	Bezeichnung	Description	Ref.	Valid from Serial N°
1	72.6609	OT2542	Halter Heizung hinten	Heating element support backside	all types	
2	1 701 1102	OG6411	Niete 4x7,3	Rivet 4x7,3	all types	
3	72.6610	OT2543	Halter Heizung mittig	Heating element support middle	all types	
4	72.6613	OT2544	Halter heizung vorn	Heating element support frontside	all types	
5	72.5054.03	OKI360	Heizung 2.5kW 400V	Heating element 2.5kW 400V	all Standard	
	72.5054.05	OG2987	Heizung 2.5kW 440V	Heating element 2.5kW 440V	all Marine	
6	1 115 1281	OK4567	Isolierschlauch Ø14	Insulation tube Ø14	all types	
7	82.1157.03	*	Deckel Ofenverkleidung D800	Lid oven cover D800	D800	
	82.1157.01	*	Deckel Ofenverkleidung D850	Lid oven cover D850	D850	
	82.1157.02	*	Deckel Ofenverkleidung D900	Lid oven cover D900	D900	
8	82.1156.03	*	Unterteil Ofenverkleidung 1S/D800	Bottom oven cover 1S/D800	1-side/D800	
	82.1156.01	*	Unterteil Ofenverkleidung 1S/D850	Bottom oven cover 1S/D850	1-side/D850	
	82.1156.02	*	Unterteil Ofenverkleidung 1S/D900	Bottom oven cover 1S/D900	1-side/D900	
9	72.0807	OK4265	Isolation	Insulation	all types	
10	72.9794	*	Mantel Elektrobackofen	Mantle electric oven	all types	
11	1 701 2509	OK4598	Sechskantschraube M5x12	Hex bolt M5x12	all types	
12	1 701 5004	OH9734	Federring M5	Spring washer M5	all types	
13	719 040166	OG3052	Heizkörperscheibe	Disc	all types	
14	82.2520	???	STB Halter	Safety thermostat support	all types	
15	719 040247	OK8882	Fühlerhalter	Sensor support	all types	
16	712 044120.06	OG3997	Keps-Mutter M6	Keps nut M6	all types	
17	72.0744	OK4263	Isolationsbefestigung	Insulation fixation	all types	
18	712 044120.06	OG3997	Keps-Mutter M6	Keps nut M6	all types	
19	83.3048	*	Abdeckprofil oben	Cover profile	all types	
20	82.2309	*	Klemmblech oben	Clamp sheet top	all types	
21	72.9822.02	*	Klemmblech links/rechts	Clamp sheet left/right	all types	
22	712 044120.06	OG3997	Keps-Mutter M6	Keps nut M6	all types	
23	83.3044	*	Frontrahmen Backofen	Frontal frame oven	all types	
24	GR40 186.1	OG3575	Flachkopfschraube M6x15	Flat head screw M6x15	all types	
25	83.3047	*	Abdeckprofil unten	Cover profile bottom	all types	
26	719 040244	OK5604	Arretierung Rostführung	Locking for grill rail	all types	
27	62.6197	OG6435	Rostführung Backofen 2/IGN	Grill rail 2/IGN	all types	
28	1 110 1300	???	Grillrost 2/IGN	Grill 2/IGN	all types	
29	719 830045	OK8889	Einlegeplatte	Bottom plate	all types	
30	83.3450	OG6666	Backofentür komplett	Oven door complete	all types	
31	82.6500	???	Handgriff Backofen	oven handle	all types	
32	82.7352	O93923	Schraube M5x12	Screw M5x12	all types	
33	82.7355	OC7119	Schraube M5x12	Screw M5x12	all types	

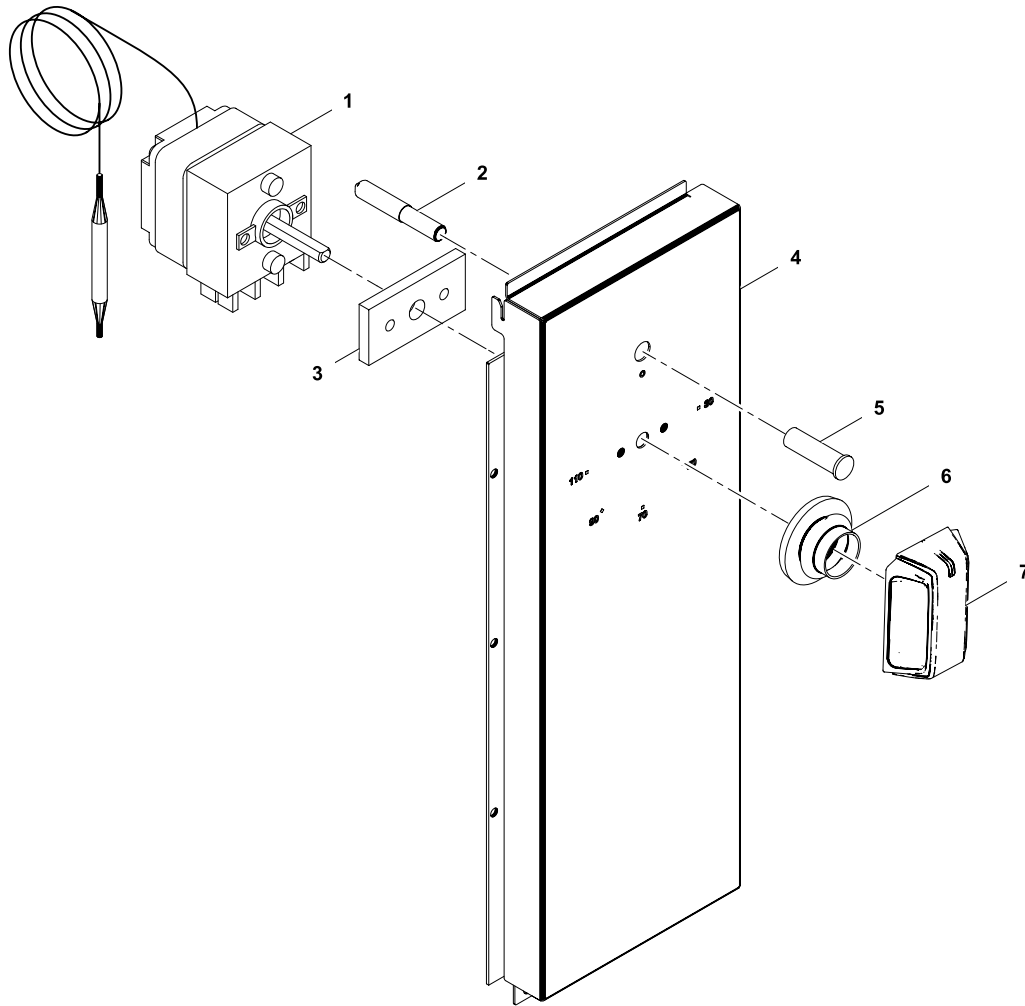


9	Alias	Code	Bezeichnung	Description	Ref.	Valid from Serial N°
1	82.0226.03	*	Deckel Korpus IS 640mm	Lid corpus IS 640mm	h k l m	
	82.0226.04	*	Deckel Korpus IS 740mm	Lid corpus IS 740mm	n o	
2	82.2813.01	???	Einlegeboden	False bottom		
3	62.4208	???	Halter Heizung	Heating element support		
4	62.4082	OG2911	Heizung 2000W /400V	Heating element 2000W /400V		
5	72.1120	OK4989	Dichtung 44x20x3	Sealing 44x20x3		
6	1 701 7002	OG2923	Fächerscheibe M5	Fan washer M5		
7	1 701 2579	OG4020	Sechslantschraube M5x16	Hex bolt M5x12		
8	1 201 2020	???	Fühlerbefestigung	Sensor fixation		
9	72.6251	???	Fühlerschutz	Sensor protection		
10	1 701 2579	OG4020	Sechslantschraube M5x16	Hex bolt M5x12		
11	82.0223.01	OG6757	Deckel Servicefenster	Lid service cover		
12	1 701 1145	OG6758	Senkkopfschraube M4x6	Countersunk screw M4x6		
13	82.0255.01	???	Tür komplett, doppelt, 290 links	Door, double, 290 left	h k l m	
	82.0255.03	???	Tür komplett, doppelt, 340 links	Door, double, 340 right	n o	
14	82.0255.02	???	Tür komplett, doppelt, 290 rechts	Door, double, 290 left	h k l m	
	82.0255.04	???	Tür komplett, doppelt, 340 rechts	Door, double, 340 right	n o	

\* Components on demand  
\* Teile auf Anfrage

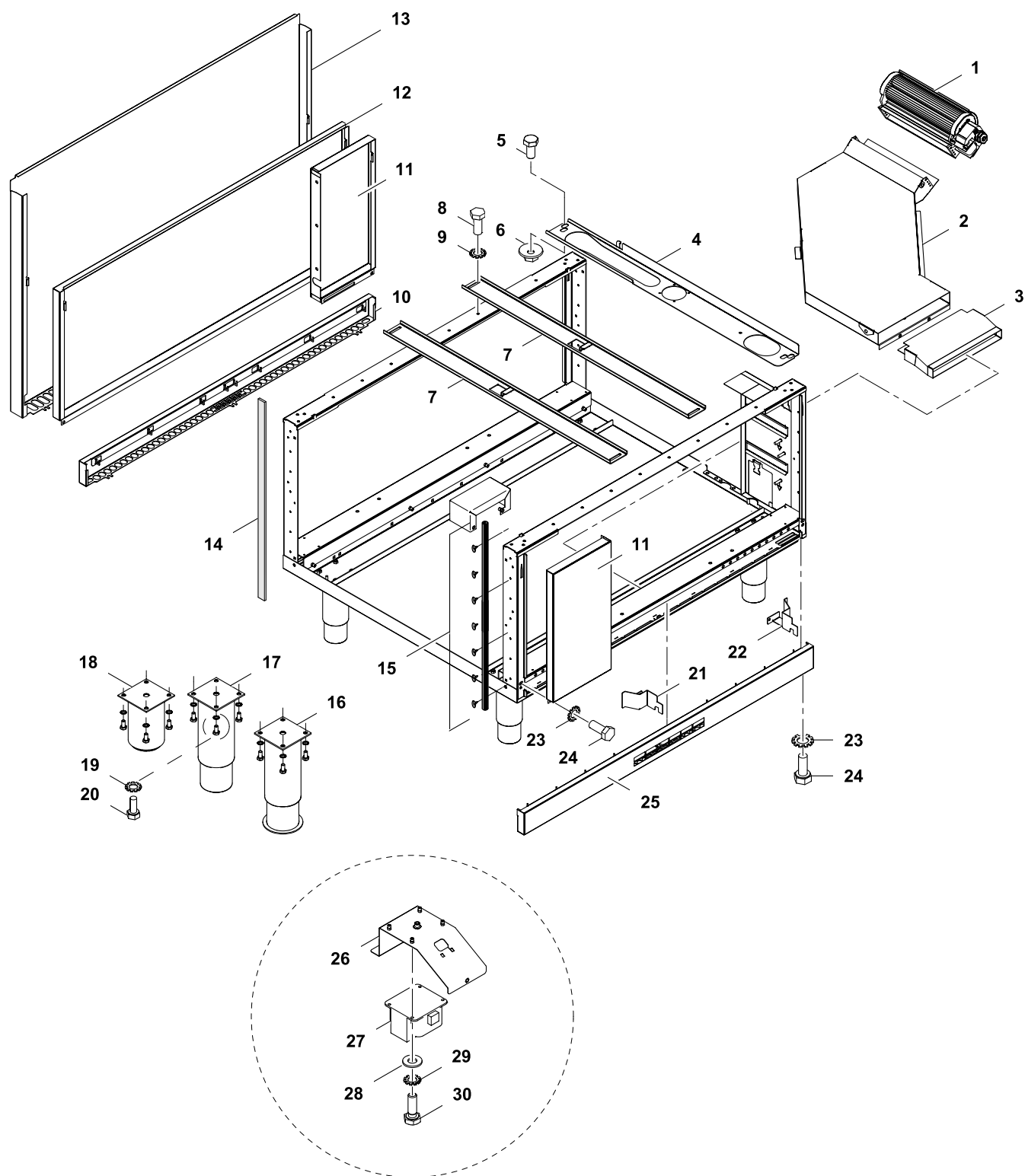


10	Alias	Code	Bezeichnung	Description	Ref.	Valid from Serial N°
1	82.9053	004269	Sicherheitsthermostat 360°C-25K	Safety thermostat 360°C-25K	a b c d e f	
2	82.9120	OG6318	Schalter off - lin 3/4 + Regler 280°C	Switch off - lin 3/4 + control 280°C	a b c d e f	
3	82.6524	???	Montagewinkel	Mounting angle	a b c d e f	
4	82.2665	???	Zwischenblech	Spacer plate	a b c d e f	
5	72.5938.03	OKI361	Anzeigelampe klar	Indicator light, clear	a b c d e f	
6	82.1120.04	*	Reglerblende Ofen 126mm (°C)	Control panel oven 126mm (°C)	a b c	
	82.1120.03	*	Reglerblende Ofen 201mm (°C)	Control panel oven 201mm (°C)	d e f	
7	72.5938.07	OKI363	Einsteckfassung klar Ø10mm	Lamp holder, clear, Ø10mm	a b c d e f	
8	82.7009	OG6247	Dichtung Drehgriff	Sealing for handle	a b c d e f	
9	82.9124.01	OG6369	Drehgriff mit Adapter 0°x6.0	Handle with adapter 0°x6.0	a b c d e f	
	82.9203	OG6950	Kabelbaum: Ofen 1-seitig Marine	Wiring harness: oven 1-side Marine	f	
	82.9104	???	Kabel: X0 - Schalter - 5+6 (Ofen)	Cable: X0 - switch - 5+6 (oven)	a b c f e	
	82.9071.01	???	Kabel: Schalter R5-STB1-E5 H5 (Ofen)	Cable: switch R5-STB1-E5 H5 (oven)	a b c f e	
	82.9071.02	???	Kabel: Schalter R6-STB2-E6 H6 (Ofen)	Cable: switch R6-STB2-E6 H6 (oven)	a b c f e	
	82.9132.01	???	Kabel: Ofen - Querstromlüfter groß	Cable: oven - cross flow blower large	a b c f e	



11	Alias	Code	Bezeichnung	Description	Ref.	Valid from Serial N°
1	712 344039	<a href="#">OK5023</a>	Kapillarrohrregler 30-100	Capillary control 30-100	h k l m n o	
2	72.5938.03	<a href="#">OKI361</a>	Anzeigelampe klar	Indicator light, clear	h k l m n o	
3	82.1043.01	*	Bedienblende warming cabinet, rechts, 130	Control panel warming cabinet, right, 130	h k l m	
	82.1043.04	*	Bedienblende warming cabinet, rechts, 100	Control panel warming cabinet, right, 100	n o	
4	72.5938.07	<a href="#">OKI363</a>	Einsteckfassung klar Ø10mm	Lamp holder, clear, Ø10mm	h k l m n o	
5	82.7009	<a href="#">OG6247</a>	Dichtung Drehgriff	Sealing for handle	h k l m n o	
6	82.9124.01	<a href="#">OG6369</a>	Drehgriff mit Adapter 0°x6.0	Handle with adapter 0°x6.0	h k l m n o	
	62.1544.01	???	Kabelbaum: Wärmeschrank komplett	Wiring harness: warming cabinet	h k l m n o	
	62.1503.02	???	Verdrahtung 2X0.5X 300	Wiring 2x0.5x300	h k l m n o	
	82.9183	???	Kabel: WS-Qquerstromlüfter	Cable: Warming cab.-cross flow blower	h k l m n o	

\* Components on demand  
\* Teile auf Anfrage



12	Alias	Code	Bezeichnung	Description	Ref.	Valid from Serial N°
1	1 115 1416	OK5059	Querstromlüfter	Cross flow blower	all types	
2	82.5201.008	*	Luftkanal Ofen 800x800	Air channel oven 800x800	D800	
	82.5202.008	*	Luftkanal Ofen 800x850	Air channel oven 800x850	D850	
	82.5203.010	*	Luftkanal Ofen 1000x900	Air channel oven 1000x900	D900	
3	82.1184	*	Kanalverlängerung vorn	Channel extension frontside	all types	
4	82.3040.01	*	Schiene Spatabox D800	Guide track D800	D800	
	82.3040.02	*	Schiene Spatabox D850	Guide track D850	D850	
	82.3040.03	*	Schiene Spatabox D900	Guide track D900	D900	
5	1 701 2503	OG5490	Sechskantschraube M4x8	Hex bolt M4x8	all types	
6	712 044120.04	OG4918	Kep-Mutter M4	Keps nut M4	all types	
7	82.6504.03	*	Aufhängung Schublade D800	Drawer guide D800	all D800	
	82.6504.04	*	Aufhängung Schublade D850	Drawer guide D850	all D850	
	82.6504.05	*	Aufhängung Schublade D900	Drawer guide D900	all D900	
8	1 701 2579	OG4020	Sechskantschraube M5x16	Hex bolt M5x16	all types	
9	1 701 7002	OG2923	Fächerscheibe M5	Fan washer M5	all types	
10	82.1140.08	*	Anschlussdeckel H66/L800	Bottom front panel H66/L800	H700/D800 no C-Board	
	82.1140.28	*	Anschlussdeckel H166/L800	Bottom front panel H166/L800	H800/D800 no C-Board	
	82.1140.10	*	Anschlussdeckel H66/L1000	Bottom front panel H66/L1000	H700/D900 no C-Board	
	82.1140.30	*	Anschlussdeckel H166/L1000	Bottom front panel H166/L1000	H800/D900 no C-Board	
11	82.1046.11	*	Ofenblende 76mm links	Oven panel 76mm links	a b c	
	82.1046.01	*	Ofenblende 201mm links	Oven panel 201mm links	d e f	
	82.1042.01	*	Korpusabdeckung links 130	Cover panel left 130	n o	
	82.1042.05	*	Korpusabdeckung links 60	Cover panel left 60	h k l m	
12	82.1102.07	*	Rückwand 800x700	Back panel 800x700	a h /no C-board	
	82.1102.27	*	Rückwand 800x800	Back panel 800x800	b k /no C-board	
	82.1102.09	*	Rückwand 1000x700	Back panel 1000x700	d f n /no C-board	
	82.1102.29	*	Rückwand 1000x800	Back panel 1000x800	e o /no C-board	
13	82.1007.07	*	Rückwand C-Board 800x700	Back panel C-Board 800x700	a c h l m /C-board	
	82.1007.27	*	Rückwand C-Board 800x800	Back panel C-Board 800x800	b k /C-board	
	82.1007.09	*	Rückwand C-Board 1000x700	Back panel C-Board 1000x700	d n /C-board	
	82.1007.29	*	Rückwand C-Board 1000x800	Back panel C-Board 1000x800	e o /C-board	
14	82.7467	OC7307	Dichtung 5mm	Sealing sides 5mm	H700/800	5101...
15	82.7334	OG6396	Dichtung Geräte seitwärts (NM)	Side-sealing strip	H700/800	
16	83.3728	OG6886	Stellfuß 2" Marine 145-252mm	Adjustable feet 2" Marine 145-252mm	H700 Marine	
17	86.0001	OG5391	Stellfuß 2" 145-252mm rund	Adjustable feet 2" 145-252mm, round	H700	
18	86.2385	OG6140	Stellfuß 2" 100mm	Adjustable feet 2" 100mm	H800	
19	1 701 5051	OG6753	Fächerscheibe M6	Fan washer M6	H700/800	
20	1 701 2600	OKT919	Sechskantschraube M6x12	Hex bolt M6x12	H700/800	
21	82.0113.01	???	Leitblech H700 links	Aeration sheet left H700	H700	
	82.0113.11	???	Leitblech H800 links	Aeration sheet left H800	H800	
22	82.0113.02	???	Leitblech H700 rechts	Aeration sheet right H700	H700	
	82.0113.12	???	Leitblech H800 rechts	Aeration sheet right H800	H800	
23	1 701 7002	OG2923	Fächerscheibe M5	Fan washer M5	H700/800	
24	1 701 2579	OG4020	Sechskantschraube M5x16	Hex bolt M5x16	H700/800	
25	82.1178.08	???	Anschlussdeckel (Lüftung) H66/L800	Bottom front panel (aeration) H66/L800	H700/D800/850	
	82.1178.28	???	Anschlussdeckel (Lüftung) H166/L800	Bottom front panel (aeration) H166/L800	H800/D800	
	82.1178.10	OG6681	Anschlussdeckel (Lüftung) H66/L1000	Bottom front panel (aeration) H66/L1000	H700/D900	
	82.1178.30	???	Anschlussdeckel (Lüftung) H166/L1000	Bottom front panel (aeration) H166/L1000	H800/D900	
26	82.3029	OG7057	Halblech	Metal support	all Marine	
27	82.9209	006710	Autotransformer 0-240-400-440V-150VA	Autotransformer 0-240-400-440V-150VA	all Marine	
28	1 701 3502	OG3595	Unterlegscheibe M4	Washer M4	all Marine	
29	1 701 7060	???	Fächerscheibe M4	Fan washer M4	all Marine	
30	1 701 2629	OG5854	Sechskantschraube M4x12	Hex bolt M4x12	all Marine	