

DE EL. KOCH- UND BRATPLATTEN 2 ZONES & 4 ZONES
EN EL. FREE COOKING TOPS/UNITS 2 ZONES & 4 ZONES

Half module (2 Zones)

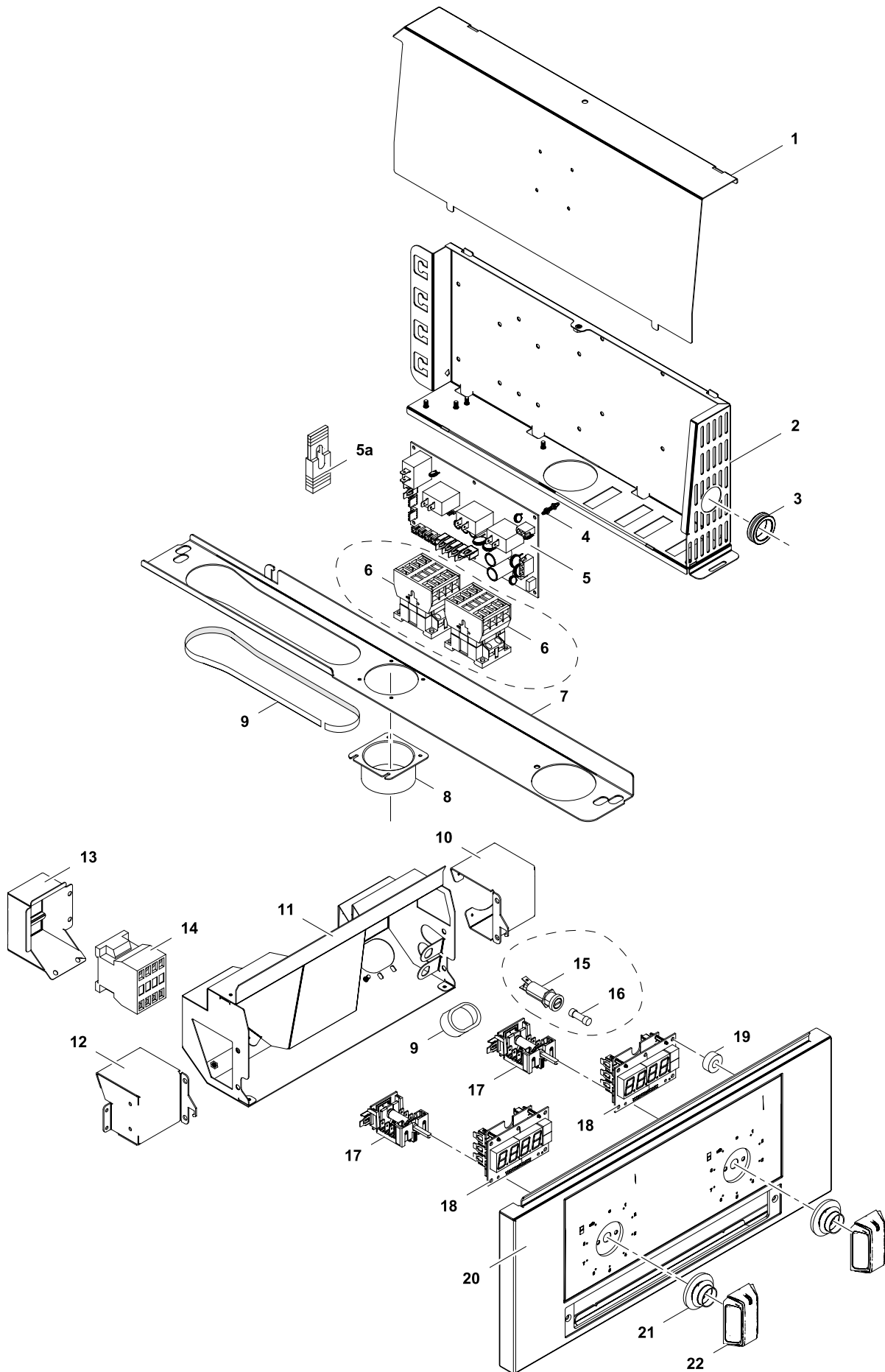
| PNC | Factory Model | Ref. | Description |
|--------|---------------|----------|--------------------------------------------------|
| 588322 | MATAAAEOAO | a | EL. FREE COOKING TOP, 500X800X250H |
| 588323 | MATAABEOAO | a | EL. FREE COOKING TOP, C-BOARD, 500X800X250H |
| 588378 | MATDEAEDAO | b | EL. FREE COOKING UNIT, 500X800X700H |
| 588379 | MATDEBEDAO | b | EL. FREE COOKING UNIT, C-BOARD, 500X800X700H |
| 588382 | MATDFAEDAO | c | EL. FREE COOKING UNIT, 500X800X800H |
| 588383 | MATDFBEDAO | c | EL. FREE COOKING UNIT, C-BOARD, 500X800X800H |
| 588549 | MBTABBEAO | d | EL. FREE COOKING TOP, C-BOARD, 500X850X250H |
| 588677 | MBTDGBEDAO | e | EL. FREE COOKING UNIT, IS, C-BOARD, 500X850X700H |
| 589126 | MCTAAAEAO | f | EL. FREE COOKING TOP, 500X900X250H |
| 589127 | MCTAABEOAO | f | EL. FREE COOKING TOP, C-BOARD, 500X900X250H |
| 589572 | MCTDEAEDAO | g | EL. FREE COOKING UNIT, 500X900X700H |
| 589573 | MCTDEBEDAO | g | EL. FREE COOKING UNIT, C-BOARD, 500X900X700H |
| 589576 | MCTDFAEDAO | h | EL. FREE COOKING UNIT, 500X900X800H |
| 589577 | MCTDFBEDAO | h | EL. FREE COOKING UNIT, C-BOARD, 500X900X800H |
| 589890 | MCTAAAEODM | k | MARINE* FREE COOKING TOP, 500X900X250H |
| 589892 | MCTLEAEIDM | l | MARINE* FREE COOKING UNIT, H3, 500X900X700H |

Full module (4 Zones)

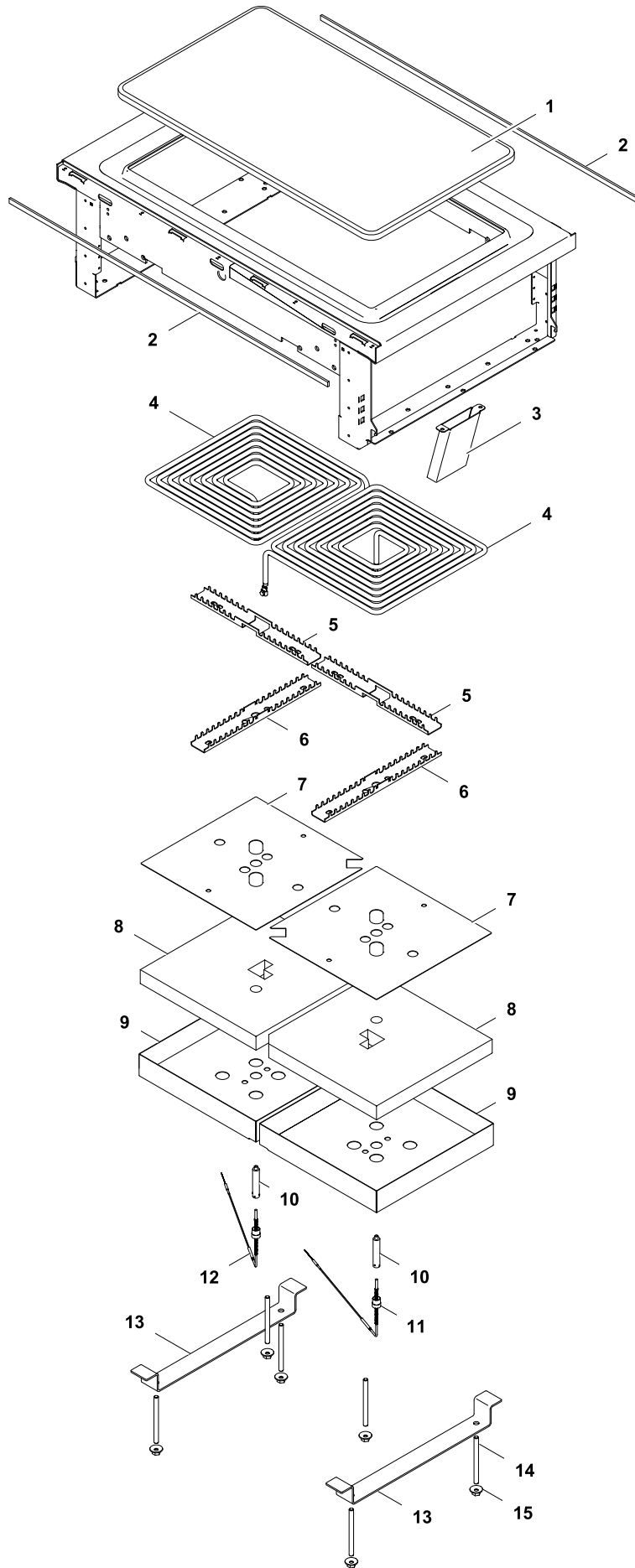
| PNC | Factory Model | Ref. | Description |
|--------|---------------|----------|-----------------------------------------------|
| 588324 | MATCAAHOAO | m | EL. FREE COOKING TOP, 800X800X250H |
| 588325 | MATCABHOAO | m | EL. FREE COOKING TOP, C-BOARD, 800X800X250H |
| 588380 | MATFEAHDAAO | n | EL. FREE COOKING UNIT, 800X800X700H |
| 588381 | MATFEBHDAO | n | EL. FREE COOKING UNIT, C-BOARD, 800X800X700H |
| 588384 | MATFFAHDAAO | o | EL. FREE COOKING UNIT, 800X800X800H |
| 588385 | MATFFBHDAO | o | EL. FREE COOKING UNIT, C-BOARD, 800X800X800H |
| 588551 | MBTCBBHOAO | p | EL. FREE COOKING TOP, C-BOARD, 800X850X250H |
| 588678 | MBTFGBHDAO | q | EL. FREE COOKING UNIT, C-BOARD, 800X850X700H |
| 589130 | MCTCAAJOAO | r | EL. FREE COOKING TOP, 1000X900X250H |
| 589131 | MCTCABJOAO | r | EL. FREE COOKING TOP, C-BOARD, 1000X900X250H |
| 589574 | MCTFEAJDAO | s | EL. FREE COOKING UNIT, 1000X900X700H |
| 589575 | MCTFEBJDAO | s | EL. FREE COOKING UNIT, C-BOARD, 1000X900X700H |
| 589578 | MCTFFAJDAO | t | EL. FREE COOKING UNIT, 1000X900X800H |
| 589579 | MCTFFBJDAO | t | EL. FREE COOKING UNIT, C-BOARD, 1000X900X800H |
| 589891 | MCTCAAJODM | u | MARINE* FREE COOKING TOP, 1000X900X250H |
| 589893 | MCTMEAJIDM | v | MARINE* FREE COOKING UNIT, H3, 1000X900X700H |

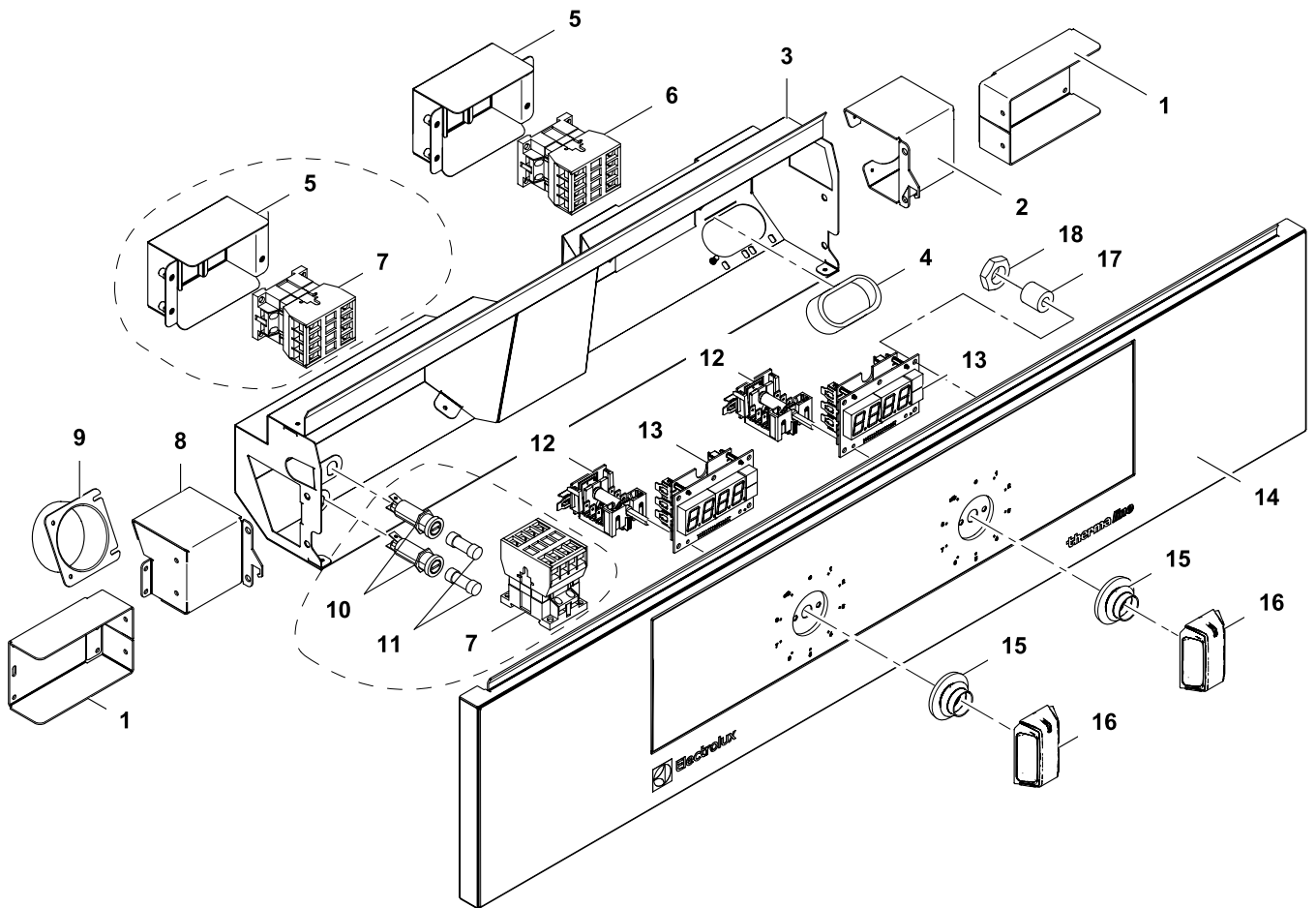
Valid from Ser. № 3101....

| Page | Index | Last Updates | Page |
|-------------|------------------------------------------|---------------------|-------------|
| 4 | Electrical components 2 zones | Ed. 01/2015 | all |
| 6 | Mechanical module 2 zones | | |
| 8 | Electrical compartment 4 zones | | |
| 10 | Sparta box 4 zones | | |
| 12 | Mechanical module 4 zones | | |
| 14 | Drain and base *Standard H2 | | |
| 16 | Rolling racks, drain and base *Marine H3 | | |
| 18 | Aeration kit | | |
| 20 | Grease drawer | | |
| 22 | Terminal | | |

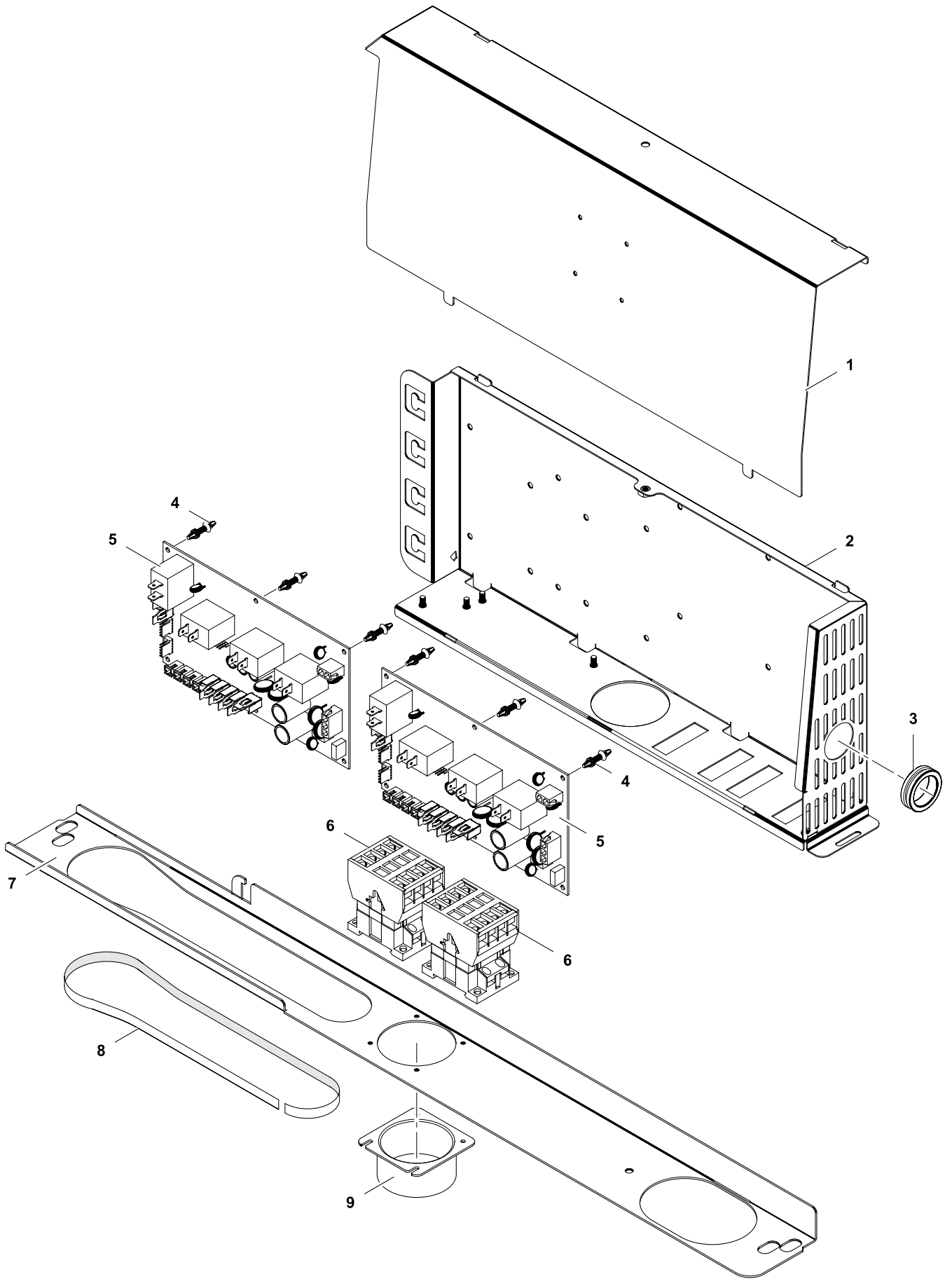


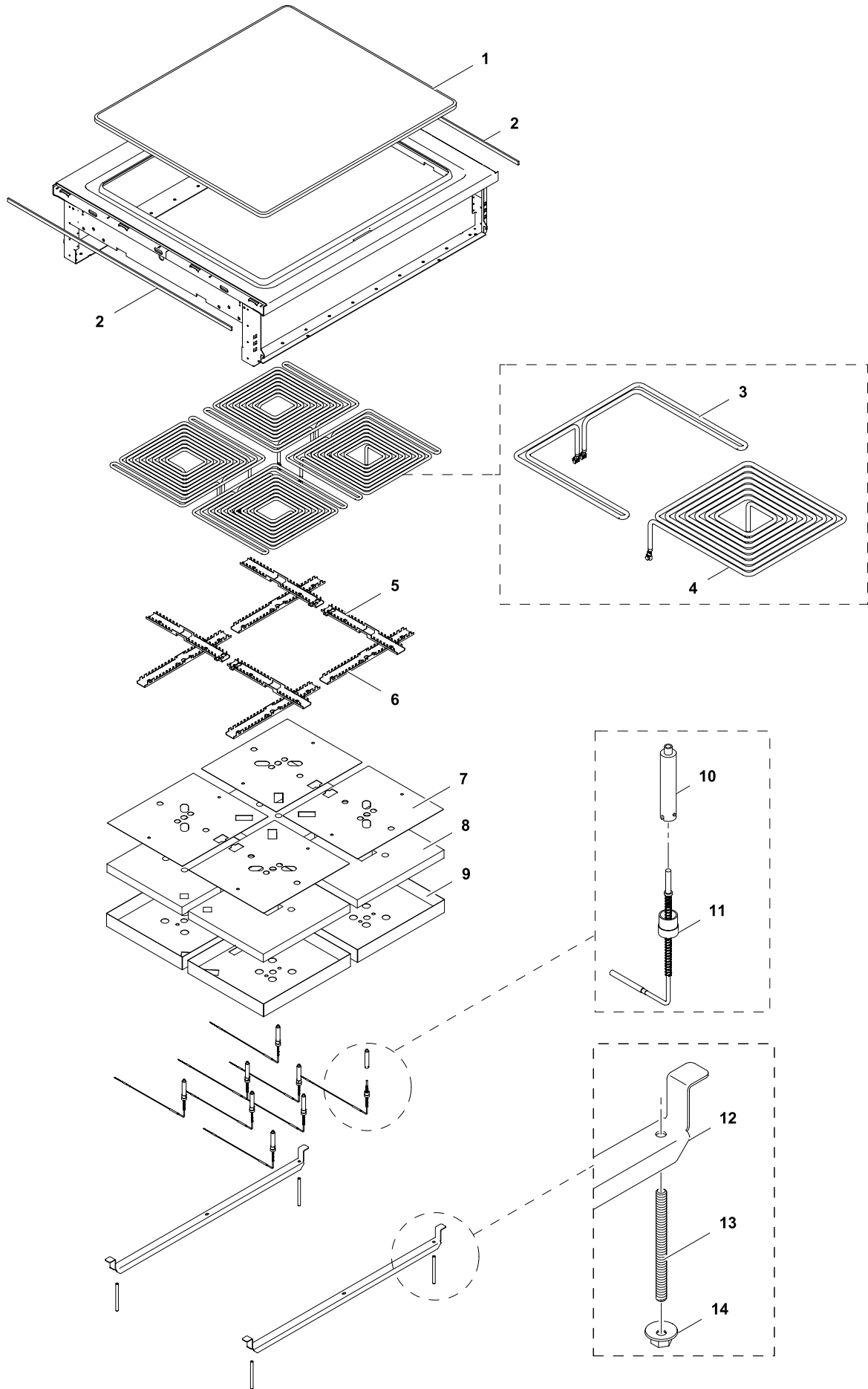
| 1 | Alias | Code | Bezeichnung | Description | Ref. | Valid from Serial N° |
|-----|---------------|--------|---------------------------------------|-------------------------------------|-------------------|----------------------|
| 1 | 82.3042 | * | Deckel Elektrobox Sparta | Top cover Sparta box | all 2Zone | |
| 2 | 82.3041 | * | Elektrobox Sparta | Sparta box | all 2Zone | |
| 3 | 712 044961.17 | OKT854 | Kabeltülle Ø25/Ø31/Ø35x10 | Cable: sleeve Ø25/Ø31/Ø35x10 | all 2Zone | |
| 4 | 75.5000 | OG4212 | Distanzhalter Kunststoff | Plastic spacer support | all 2Zone | |
| 5 | 82.7014.KD | OG6221 | Mainboard SPARTA | Mainboard SPARTA | all 2Zone | |
| 5a | 87.9191 | ??? | Jumper | Jumper | all 2Zone | |
| 6 | 1 115 1757 | OG4645 | Schütz K3-14x027 + K2-E230 | Conductor K3-24x027 + K2-E230 | 2Zone Marine | |
| 7 | 82.3040.01 | * | Schiene Spatabox D800 | Guide track D800 | 2Zone /D800 | |
| | 82.3040.02 | * | Schiene Spatabox D850 | Guide track D850 | 2Zone /D850 | |
| | 82.3040.03 | * | Schiene Spatabox D900 | Guide track D900 | 2Zone /D900 | |
| 8 | 83.3021 | * | Rohrstutzen Ø 60.3 | Pipe socket Ø 60.3 | all 2Zone | |
| 9 | 1 201 2086 | OG4872 | Kantenschutz | Edge protection | all 2Zone | |
| 10 | 82.3002 | * | Ventilationsbox rechts | Aeration box right | all 2Zone | |
| 11a | 82.3037 | * | Electrobox Solid Top | Electronical compartment | all 2Zone | |
| 12 | 82.3001 | * | Ventilationsbox links | Aeration box left | all 2Zone | |
| 13 | 82.3048 | ??? | Aufsteckblech | Conductor box | all 2Zone | |
| 14 | 1 115 1752 | 006879 | Schütz K3-18N10 | Conductor K3-18N10 | all 2Zone | |
| 15 | 87.9204 | OC2228 | Sicherungshalter Schurter 6.3x32 500V | Fuse holder Schurter 6.3x32 500V | 2Zone Marine | |
| 16 | 82.9171 | OTTR73 | Sicherung 6.3x32 0.63A 500V | Fuse 6.3x32 0.63A 500V | 2Zone Marine | |
| 17 | 82.9014 | OG6245 | Schalter off-Lin-Stby + 10k Poti | Switch off-Lin-Stby + 10k poti | all 2Zone | |
| 18 | 82.7015 | OG6246 | Eurotas Display | Eurotas Display | D800/D900 | |
| | 72.5938.04 | OKI362 | Anzeigelampe grün | Indicator light, green | D850 | |
| | 72.5938.08 | OKI364 | Einsteckfassung grün/gelb Ø10mm | Lamp holder, green/yellow, Ø10mm | D850 | |
| | 72.5938.03 | OKI361 | Anzeigelampe klar | Indicator light, clear | D850 | |
| | 72.5938.07 | OKI363 | Einsteckfassung klar Ø10mm | Lamp holder, clear, Ø10mm | D850 | |
| 19 | 76.3011 | OG3093 | Distanzhalter 8mm | Spacer 8mm | all 2Zone | |
| 20 | 82.1027.114 | * | Bedienblende 500 (Schublade) | Control panel 500 (drawer) | a f k | |
| | 82.1027.51 | * | Bedienbl. 500 (oh. Schublade) | Control panel 500 (no drawer) | b c g h l | |
| | 82.1049.51 | * | Bedienbl. 500 (Schubl.) INOX | Contr. panel 500 (drawer) INOX | d | |
| | 82.1049.78 | * | Bedienbl. 500 (oh. Schubl.) INOX | Contr. panel 500 (no draw.) INOX | e | |
| 21 | 82.7009 | OG6247 | Dichtung Drehgriff | Sealing for handle | all 2Zone | |
| 22 | 82.9124.01 | OG6369 | Drehgriff mit Adapter 0°x6.0 | Handle with adapter 0°x6.0 | all 2Zone | |
| | 82.9001 | OG6461 | Kabel: Sparta - Display L2200 | Cable: Sparta - Display L2200 | D800/900 Standard | |
| | 82.9021 | OCA121 | Kabel: Display - Display L2800 | Cable: Display - Display L290 | D800/900 Standard | |
| | 82.9003 | OG6899 | Kabel: Potentiometer - Display L200 | Cable: Potentiometer - Display L200 | D800/900 Standard | |
| | 82.9009 | OG6906 | Kabel: Sparta - Ventilator L2000 | Cable: Sparta - Ventilator L2000 | 2Zone Standard | |
| | 82.9137 | ??? | Kabel: Ventilator - Ventilator | Cable: Ventilator - Ventilator | 2Zone Standard | |
| | 82.9077 | ??? | Kabel: X0 - RL - Heizung 3kW | Cable: X0 - RL - Heating 3kW | 2Zone Standard | |
| | 82.9083 | ??? | Kabel: Sparta - N - Schalter - P | Cable: Sparta - N - Switch - P | 2Zone Standard | |
| | 82.9224.01 | ??? | Kabel: Schalter - Contactor KS | Cable: Switch - Contactor KS | 2Zone Standard | |
| | 82.9044.02 | OG6181 | Kabel: Sparta - Potentiometer | Cable: Sparta - Potentiometer | 2Zone D850 | |
| | 82.9081 | ??? | Kabel: Sparta - N - Schalter P | Cable: Sparta - N - Switch - P | 2Zone D850 | |
| | 82.9113.01 | ??? | Kabel: Anzeigelampe-A5 FCT | Cable: Indicator light -A5 FCT | 2Zone D850 | |
| | 82.9213 | OG7007 | Kabelbaum 2Z Marine | Wiring harness 2Z Marine | 2Zone Marine | |

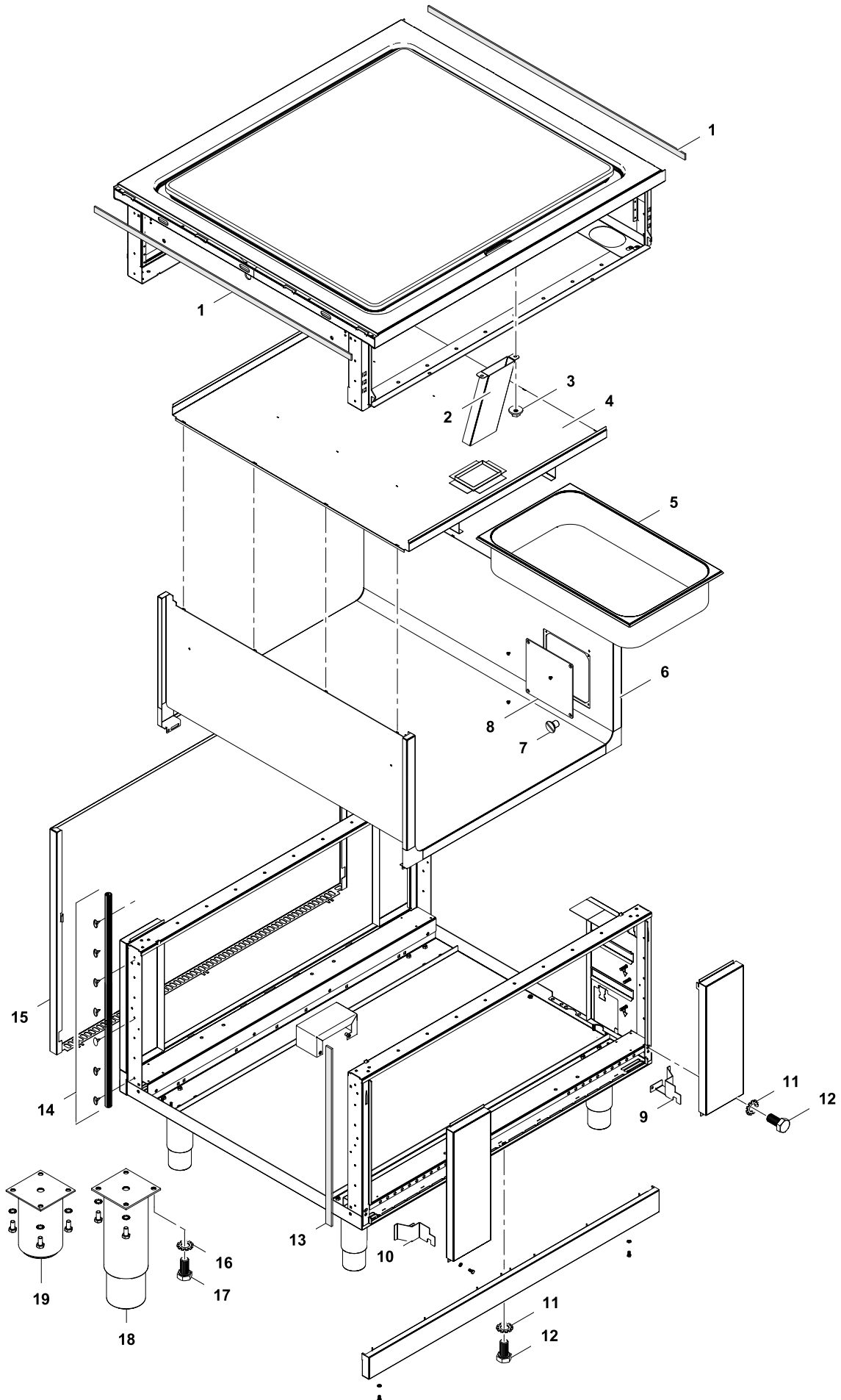




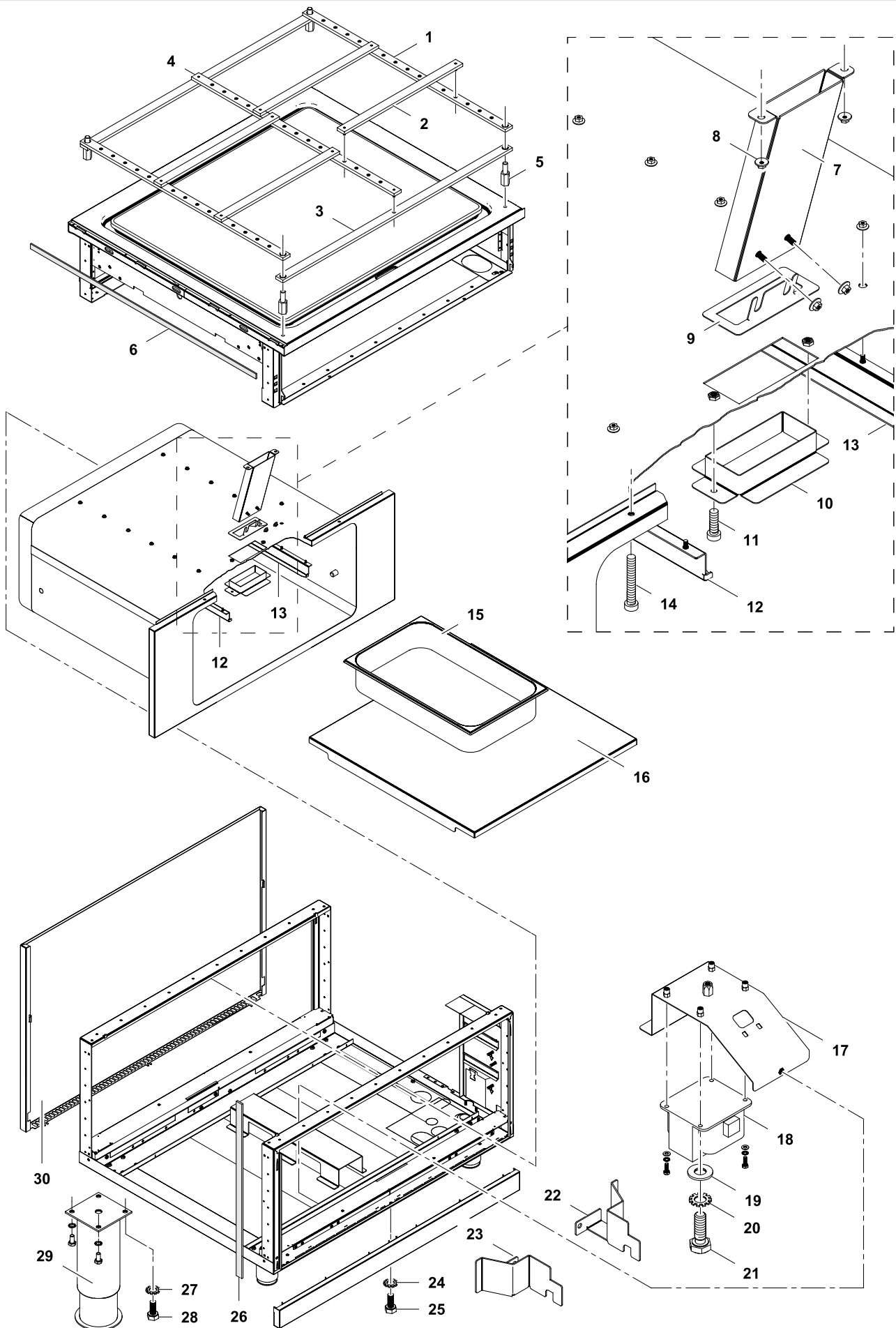
| 3 | Alias | Code | Bezeichnung | Description | Ref. | Valid from Serial N° |
|----------|---------------|--------|-----------------------------------------|--------------------------------------|--------------------|----------------------|
| 1 | 82.3004.01 | * | Halterung Ventilationsbox L=100 | Ventilation box support | all types | |
| 2 | 82.3002 | * | Standardventilationsbox rechts | Ventilation box right | all types | |
| 3 | 82.3034 | * | Elektrobox 4 Zonen | Electrical compartment 4 zones | all types | |
| 4 | 1 201 2086 | OG4872 | Kantenschutz | Edge protection | all types | |
| 5 | 82.3045 | OG7012 | Aufsteckblech | Conductor box | all types | |
| 6 | 82.9228 | ??? | Schütz K2-30A00-40 | Conductor K2-30A00-40 | all types | |
| 7 | 1 115 1757 | OG4645 | Schütz K3-14x027 | Conductor K3-14x027 | all types | |
| 8 | 82.3001 | * | Standardventilationsbox links | Ventilation box left | all types | |
| 9 | 83.3021 | * | Rohrstutzen Ø 60.3 | Pipe socket Ø 60.3 | all types | |
| 10 | 879204 | OC2228 | Sicherungshalter Schurter 6.3x32 500V | Fuse holder Schurter 6.3x32 500V | Marine | |
| 11 | 82.9171 | OTTR73 | Sicherung 6.3x32 0.63A 500V | Fuse 6.3x32 0.63A 500V | Marine | |
| 12 | 82.9014 | OG6245 | Schalter off-Lin-Stby + 10k Poti | Switch off-Lin-Stby + 10k poti | all types | |
| 12a | | | | | 4 8 (Marine) | |
| 13 | 82.7015 | OG6246 | Eurotas Display | Eurotas Display | D800/900 | |
| | 72.5938.04 | OKI362 | Anzeigelampe grün | Indicator light, green | D850 | |
| | 72.5938.08 | OKI364 | Einsteckfassung grün/gelb Ø10mm | Lamp holder, green/yellow, Ø10mm | D850 | |
| | 72.5938.03 | OKI361 | Anzeigelampe klar | Indicator light, clear | D850 | |
| | 72.5938.07 | OKI363 | Einsteckfassung klar Ø10mm | Lamp holder, clear, Ø10mm | D850 | |
| 14 | 82.1027115 | * | Bedienblende 800 1S (Schublade) | Control panel 800 1S (drawer) | m | |
| | 82.1027116 | * | Bedienblende 800 1S | Control panel 800 1S | n o | |
| | 82.1049.53 | * | Bedienb. 800 1S INOX (Schublade) | Control panel 800 1S INOX (drawer) | p | |
| | 82.1049.79 | * | Bedienblende 800 1S INOX | Control panel 800 1S INOX | q | |
| | 82.1027.53 | * | Bedienblende 1000 1S (Schublade) | Control panel 1000 1S (drawer) | r u | |
| | 82.1027.52 | * | Bedienblende 1000 1S | Control panel 1000 1S | s t v | |
| 15 | 82.7009 | OG6247 | Dichtung Drehgriff | Sealing for handle | | |
| 16 | 82.9124.01 | OG6369 | Drehgriff mit Adapter 0°x6.0 | Handle with adapter 0°x6.0 | | |
| 17 | 76.3011 | OG3093 | Distanzhalter 8mm | Spacer 8mm | D800/900 | |
| 18 | 712 044120.04 | OG4918 | Keps-Mutter M4 | Keps nut M4 | all types | |
| | 82.9001 | OG6461 | Kabel: Sparta - Display L2200 | Cable: Sparta - Display L2200 | D800/D900 Standard | |
| | 82.9002 | OG6897 | Kabel: Display - Display L290 | Cable: Display - Display L290 | D800/D900 Standard | |
| | 82.9003 | OG6899 | Kabel: Potentiometer - Dispaly L200 | Cable: Potentiometer - Dispaly L200 | D800/D900 Standard | |
| | 82.9009 | OG6906 | Kabel: Sparta - Ventilator L2000 | Cable: Sparta - Ventilator L2000 | all Standard | |
| | 82.9107 | ??? | Kabel: Sparta - Sparta Kommunikation | Cable: Sparta - Sparta communication | all Standard | |
| | 82.9077 | ??? | Kabel: X0 - RL - Heizungen 12 /3kW | Cable: X0 - RL - heating el. 12 /3kW | D800/850 | |
| | 82.9078 | ??? | Kabel: X0 - RL - Heizungen 34 /3kW | Cable: X0 - RL - heating el. 34 /3kW | D800/850 | |
| | 82.9079 | ??? | Kabel: X0 - RL - Heizungen 12 /4kW | Cable: X0 - RL - heating el. 12 /4kW | D900 | |
| | 28.9080 | ??? | Kabel: X0 - RL - Heizungen 34 /4kW | Cable: X0 - RL - heating el. 34 /4kW | D900 | |
| | 82.9125 | ??? | Kabel: Sparta - N - Schalter - P 12 | Cable: Sparta - N - switch - P 12 | D900 | |
| | 82.9126 | ??? | Kabel: Sparta - N - Schalter - P 34 | Cable: Sparta - N - switch - P 34 | D900 | |
| | 82.9081 | ??? | Kabel: Sparta - N - Schalter - P 12 XD | Cable: Sparta - N - switch - P 12 XD | D850 | |
| | 82.9082 | ??? | Kabel: Sparta - N - Schalter - P 34 XD | Cable: Sparta - N - switch - P 34 XD | D850 | |
| | 82.9083 | ??? | Kabel: Sparta - N - Schalter - P 12 | Cable: Sparta - N - switch - P 12 | D800 | |
| | 82.9084 | ??? | Kabel: Sparta - N - Schalter - P 34 | Cable: Sparta - N - switch - P 34 | D800 | |
| | 82.9022.03 | ??? | Kabel: Schalter S2/3 - Schalter S4 kurz | Cable: switch S2/3 - switch S4 short | all Standard | |
| | 82.9224.03 | ??? | Kabel: Schalter - Schütz KS | Cable switch - Sconductor KS | all Standard | |
| | 82.9113.01 | ??? | Kabel: Anzeigelampe - A5 FCT | Cable: Indicator light - A5 FCT | D850 | |
| | 82.9113.02 | ??? | Kabel: Anzeigelampe - A6 FCT | Cable: Indicator light - A6 FCT | D850 | |
| | 82.9044.02 | OG6181 | Kabel: Sparta - Potentiometer L200 | Cable: Sparta - potentiometer L200 | D850 | |
| | 82.9198 | OG6946 | Kabelbaum 4Z Marine | Wiring harness 4Z Marine | 4Zones Marine | |



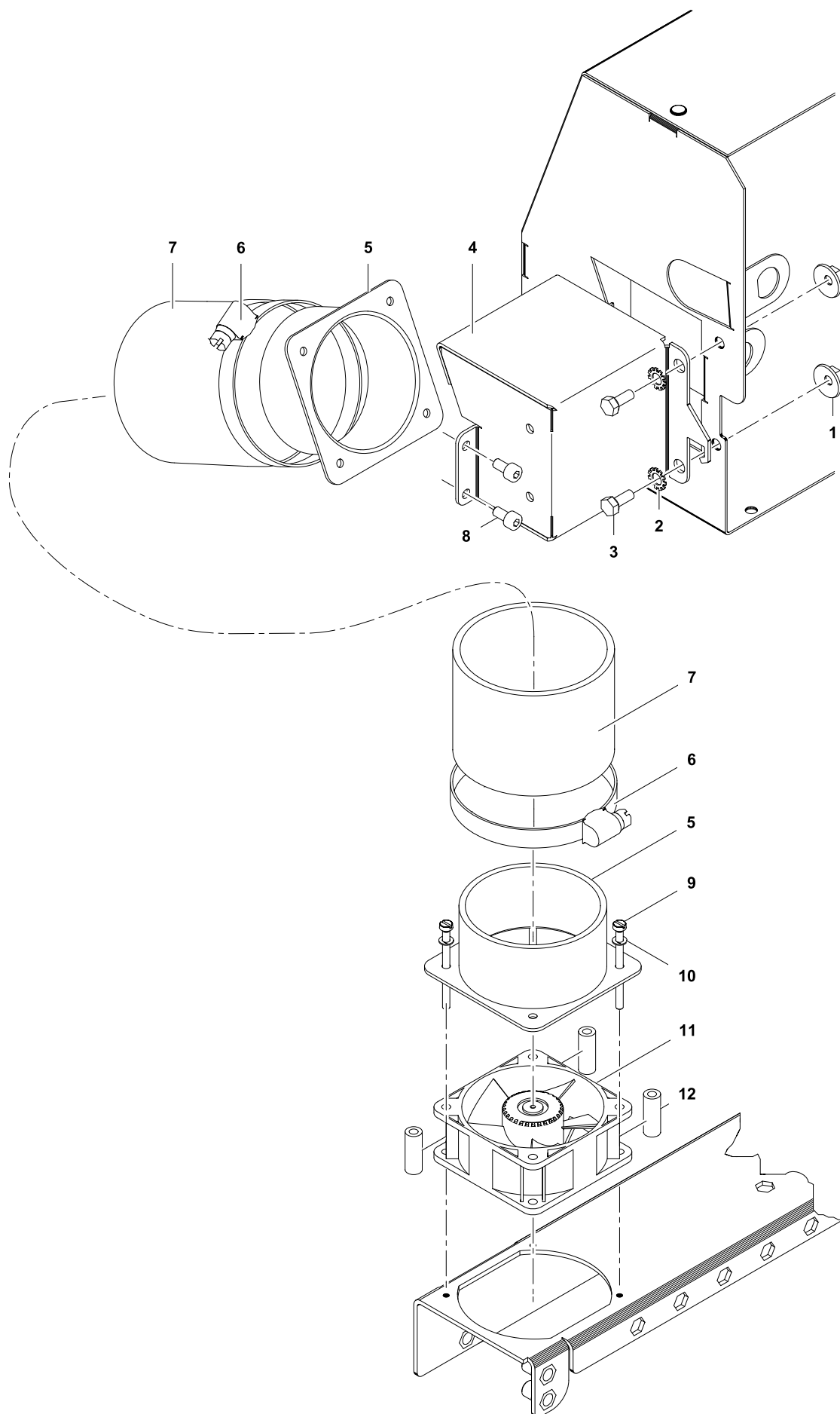


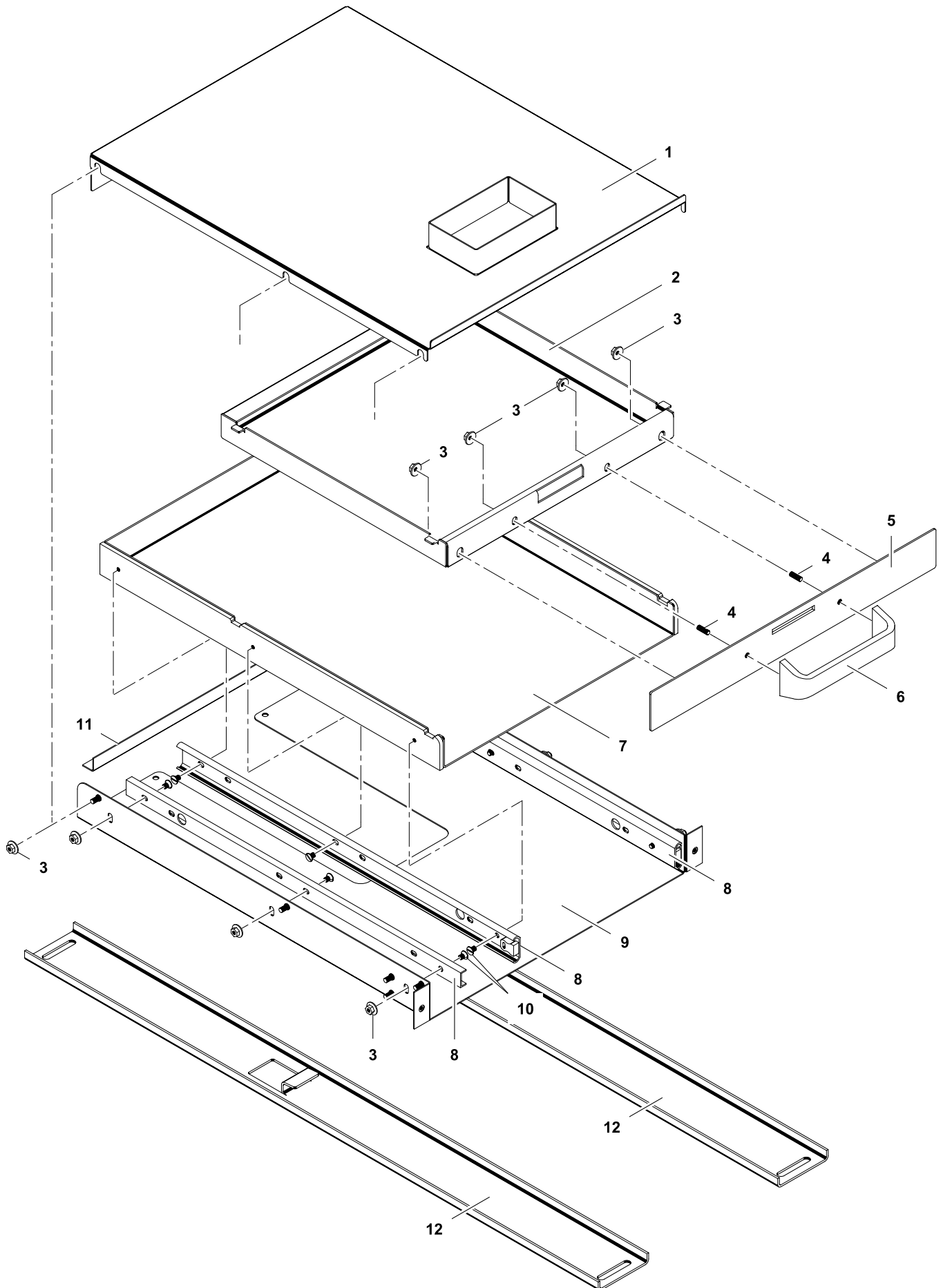


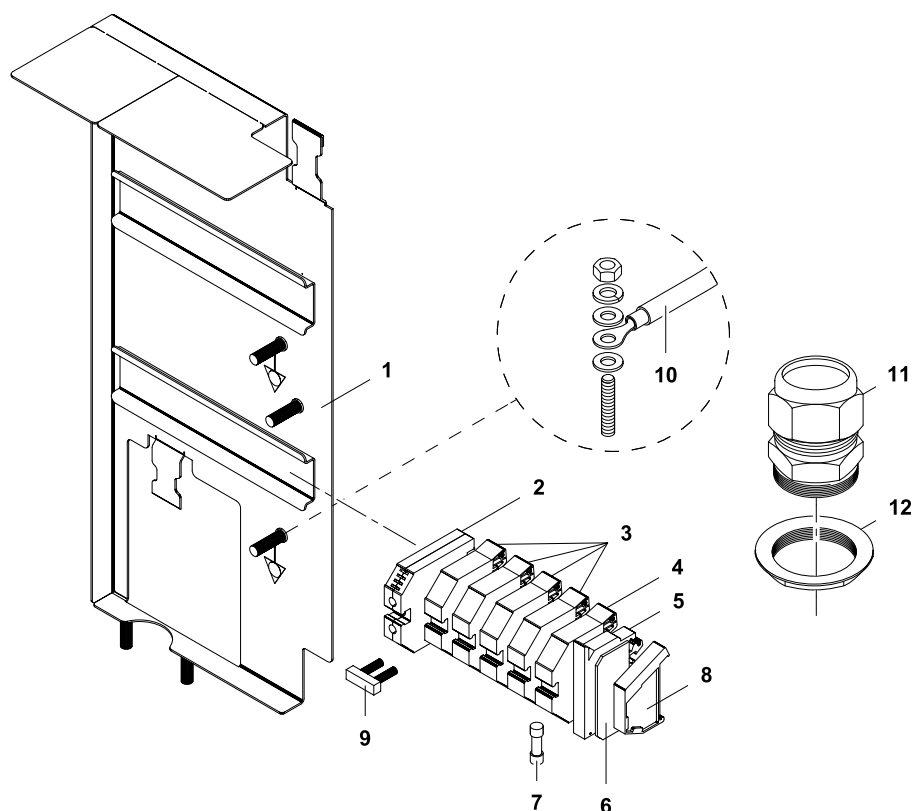
| 6 | Alias | Code | Bezeichnung | Description | Ref. | Valid from Serial N° |
|----|---------------|--------|-------------------------------------|---------------------------------------|-----------------|----------------------|
| 1 | 82.7464 | OC2496 | Dichtband (klebend) | Sealing strip | all types | |
| 2 | 82.0651 | ??? | Ablauf in Korpus | Drain in copus | H700/800 | |
| 3 | 712 044120.04 | OG4918 | Kep-Mutter M4 | Keps nut M4 | H700/800 | |
| 4 | 82.0101.13 | * | Korpusdeckel H2 W500/D800/900/850 | Cover for corpus H2 W500/D800/900/850 | b c e g h | |
| | 82.0101.14 | * | Korpusdeckel H2 W800/D800/850 | Cover for corpus H2 W800/D800/850 | n o q | |
| | 82.0101.19 | * | Korpusdeckel H2 W1000/D900 | Cover for corpus H2 W1000/D900 | s t | |
| 5 | 1 110 1355 | OS1733 | Schale 1/1 GN H100 | Container GN 1/1 H100 | 4Zone, H700/800 | |
| | 82.7333 | ??? | Schale 1/3GN H100 | Container GN 1/3 H100 | 2Zone, H700/800 | |
| 6 | 82.0220.01 | * | Korpus komplett W500 1S H2 D800/900 | Corpus complete W500 1S H2 D800/900 | b c g h | |
| | 82.2436.04 | * | Korpus komplett W500 1S NHC D850 | Corpus complete W500 1S NHC D850 | e | |
| | 82.0220.11 | * | Korpus komplett W800 1S H2 D800 | Corpus complete W800 1S H2 D800 | o | |
| | 82.2436.09 | * | Korpus komplett W800 1S NHC D850 | Corpus complete W800 1S NHC D850 | q | |
| | 82.0220.21 | * | Korpus komplett W1000 1S H2 D900 | Corpus complete W1000 1S H2 D900 | s t v | |
| 7 | 1 701 1145 | OG6758 | Senkkopfschraube M4x6 | Countersunk screw M4x6 | H700/800 | |
| 8 | 82.0223.01 | OG6757 | Deckel Servicefenster | Cover plate | H700/800 | |
| 9 | 82.0113.02 | * | Leitblech H700 rechts | Aeration sheet right H700 | H700 | |
| | 82.0113.12 | * | Leitblech H800 rechts | Aeration sheet right H800 | H800 | |
| 10 | 82.0113.01 | * | Leitblech H700 links | Aeration sheet left H700 | H700 | |
| | 82.0113.11 | * | Leitblech H800 links | Aeration sheet left H800 | H800 | |
| 11 | 1 701 7002 | OG2923 | Fächerscheibe M5 | Fan washer M5 | H700/800 | |
| 12 | 1 701 2579 | OG4020 | Sechskantschraube M5x16 | Hex bolt M5x16 | H700/800 | |
| 13 | 82.7467 | OC7307 | Dichtung 5mm | Sealing sides 5mm | H700/800 | 51010000 |
| 14 | 82.7334 | OG6396 | Dichtung Geräte seitwärts (NM) | Side-sealing strip | H700/800 | |
| 15 | 82.1102.04 | * | Rückwand 1S 500x700 | Back panel 1S 500x700 | 2Zone/H700 | |
| | 82.1102.24 | * | Rückwand 1S 500x800 | Back panel 1S 500x800 | 2Zone/H800 | |
| | 82.1102.07 | * | Rückwand 1S 800x700 | Back panel 1S 800x700 | n | |
| | 82.1102.27 | * | Rückwand 1S 800x800 | Back panel 1S 800x800 | o | |
| | 82.1102.09 | * | Rückwand 1S 1000x700 | Back panel 1S 1000x700 | s v | |
| | 82.1102.29 | * | Rückwand 1S 1000x800 | Back panel 1S 1000x800 | t | |
| 16 | 1 701 5051 | OG6753 | Fächerscheibe M6 | Fan washer M6 | H700/800 | |
| 17 | 1 701 2600 | OKT919 | Sechskantschraube M6x12 | Hex bolt M6x12 | H700/800 | |
| 18 | 86.0001 | OG5391 | Stellfuß 2" 145-252mm rund | Adjustable feet 2" 145-252mm, round | H700 | |
| 19 | 86.2385 | OG6140 | Stellfuß 2" 100mm | Adjustable feet 2" 100mm | H800 | |



| 7 | Alias | Code | Bezeichnung | Description | Ref. | Valid from Serial N° |
|----|---------------|--------|-------------------------------------------|-------------------------------------------|--------------------|----------------------|
| | 83.3769 | OG7016 | Schlingerstnage komplet 500 | Set roling racks 500 | 2Zones Marine | |
| | 83.3745 | OG7017 | Schlingerstnage komplet 1000 | Set roling racks 1000 | 4Zones Marine | |
| 1 | 83.3741 | ??? | Schiene-1000 15xØ8 | Rolling rack-1000 15xØ8 | 4Zones Marine | |
| | 83.3768 | ??? | Schiene-500 15xØ8 | Rolling rack-500 15xØ8 | 2Zones Marine | |
| 2 | 83.3744 | ??? | Schiene-1000 2xØ6 | Rolling rack-1000 2xØ6 | 4Zones Marine | |
| | 83.3767 | ??? | Schiene-500 2xØ6 | Rolling rack-500 2xØ6 | 2Zones Marine | |
| 3 | 83.3743 | ??? | Schiene-1000 2xØ17 | Rolling rack-1000 2xØ17 | 4Zones Marine | |
| | 83.3766 | ??? | Schiene-500 2xØ17 | Rolling rack-500 2xØ17 | 2Zones Marine | |
| 4 | 83.3742 | ??? | Schiene-1000 15xØ8 mittig | Rolling rack-1000 15xØ8 mittig | 4Zones Marine | |
| 5 | 82.7495 | ??? | Abstandsbolzen 22x80/M8 | Spacer bolt 22x80/M8 | all types Marine | |
| 6 | 82.7464 | OC2496 | Dichtband (klebend) | Sealing strip | all types Marine | |
| 7 | 82.0705 | OG7010 | Ablauf in Korpus | Drain in copus | H700 Marine | |
| 8 | 712 044120.04 | OG4918 | Kep-Mutter M4 | Keps nut M4 | H700 Marine | |
| 9 | 82.0704 | OG7011 | Spritzschutzdeckel | Splash protection | H700 Marine | |
| 10 | 82.0706 | OG7009 | Stutzen zu Ablauf | Drain flange | H700 Marine | |
| 11 | 1 701 1069 | OG6959 | Flachkopfschraube M5x12 | Flat head screw M5x12 | H700 Marine | |
| 12 | 82.0265.01 | ??? | Halter GN-Schale links (Marine) | GN container suport left | H700 Marine | |
| 13 | 82.0265.03 | ??? | Halter GN-Schale rechts (Marine) | GN container suport right | H700 Marine | |
| 14 | 1 701 115 | OG7041 | Flachkopfschraube M5x45 | Flat head screw M5x45 | H700 Marine | |
| 15 | 1 110 1355 | OS1733 | Schale 1/1 GN H100 | Container GN 1/1 H100 | 4Zone/H700 Marine | |
| | 82.7333 | ??? | Schale 1/3GN H100 | Container GN 1/3 H100 | 2Zone/H700 Marine | |
| 16 | 83.3718.01 | OG6890 | Tablar 400 für H3 Korpus | Shelf for 400 H3 corpus | 2Zone/H700 Marine | |
| | 83.3718.03 | OG6920 | Tablar 900 für H3 Korpus | Shelf for 900 H3 corpus | 4Zone/H700Marine | |
| 17 | 82.3029 | OG7057 | Halteblech | Metal support | all types Marine | |
| 18 | 82.9209 | 006710 | Autotransformer 0-240-400-440V - 150VA | Autotransformer 0-240-400-440V - 150VA | all types Marine | |
| 19 | 1 701 3502 | OG3595 | Unterlegscheibe M4 | Washer M4 | all types Marine | |
| 20 | 1 701 7060 | ??? | Fächerscheibe M4 | Fan washer M4 | all types Marine | |
| 21 | 1 701 2629 | OG5854 | Sechskantschraube M4x12 | Hex bolt M4x12 | all types Marine | |
| 22 | 82.0113.02 | * | Leitblech H700 rechts | Aeration sheet right H700 | H700 Marine | |
| 23 | 82.0113.01 | * | Leitblech H700 links | Aeration sheet left H700 | H700 Marine | |
| 24 | 1 701 7002 | OG2923 | Fächerscheibe M5 | Fan washer M5 | H700 Marine | |
| 25 | 1 701 2579 | OG4020 | Sechskantschraube M5x16 | Hex bolt M5x16 | H700 Marine | |
| 26 | 82.7467 | OC7307 | Dichtung 5mm | Sealing sides 5mm | H700 Marine | |
| 27 | 1 701 5051 | OG6753 | Fächerscheibe M6 | Fan washer M6 | H700 Marine | |
| 28 | 1 701 2600 | OKT919 | Sechskantschraube M6x12 | Hex bolt M6x12 | H700 Marine | |
| 29 | 83.3728 | OG6886 | Stellfuß 2" Marine 145-252mm | Adjustable feet 2" Marine 145-252mm | H700 Marine | |
| 30 | 82.1020.05 | * | Rückwand 500x700 | Back panel 500x700 | 2Zones/H700 Marine | |
| | 82.1020.10 | * | Rückwand 1000x700 | Back panel 1000x700 | 4Zones/H700 Marine | |







| 10 | Alias | Code | Bezeichnung | Description | Ref. | Valid from Serial N° |
|----|---------------|------------------------|--------------------------------------------|----------------------------------------------|-------------------------|----------------------|
| 1 | 82.3030.02 | OG6423 | Klemmenträger | Terminal support | all types | |
| 2 | 75.2011.03 | OKX291 | Schutzleiterklemme 16mm ² | Ground conductor terminal 16mm ² | all types | |
| 3 | 75.2010.40 | OKI280 | Reihenklemme 16mm ² grau | Terminal block 16mm ² grey | all types | |
| 4 | 75.2010.41 | OG3488 | Nullleiterklemme 16mm ² blau | Neutral wire terminal 16mm ² blue | all types/not in Marine | |
| 5 | 75.2012.01 | OK5155 | Sicherungsklemme | Fuse holder terminal | all types | |
| 6 | 75.2012.02 | OT2599 | Abschlusswand | Cover for fuse holder terminal | all types | |
| 7 | 712 344362.01 | OG5814 | Sicherung 5x20 1 00A | Fuse 5x20 1 00AF | all types | |
| 8 | 75.2013 | OKX290 | Arretierstück | Fixation | all types | |
| 9 | 75.2010.44 | OKT731 | Querverbinder | Cross connection | all types | |
| 10 | 82.9103 | OG6424 | Kabel Haupterd draht L400 6mm ² | Main earthing cable L400 6mm ² | all types | |
| | 62.1504.03 | OG5977 | Verdrahtung 2.5mmx800 | Wiring 2.5mmx800 | all types | |
| 11 | 82.2809 | OC0068 | PG21 Kabelverschraubung | Cable gland PG21 | all types | |
| 12 | 82.9226 | OG7024 | PG21 Sicherungsmutter | Lock nut PG21 | all types | |

