

DE WÄRMEPLATTEN
EN WAMING PLATES

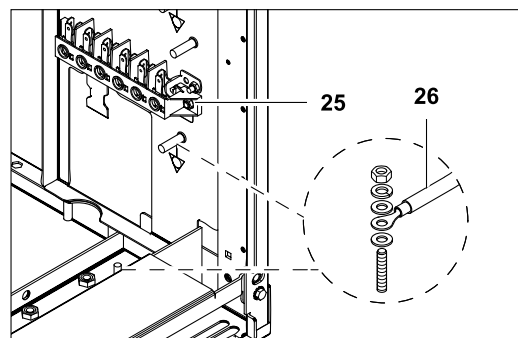
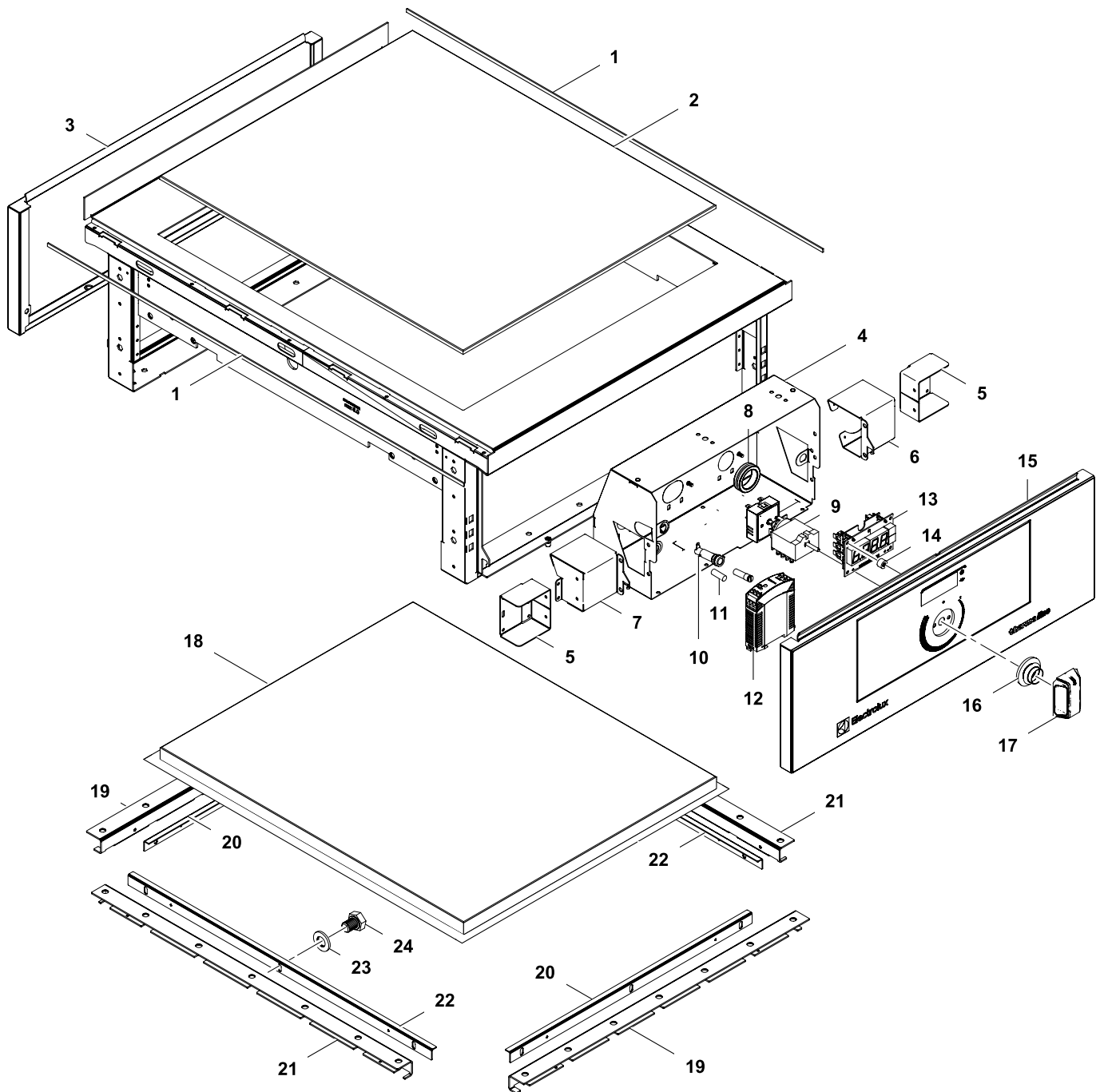
PNC	Factory Model	Ref.	Description
588096	MARBAAJOBO	a	EL. WARMING PLATE, 1000X800X250H
588097	MARBABJOBO	a	EL. WARMING PLATE, C-BOARD, 1000X800X250H
588336	MARAAAFOBO	b	EL. WARMING PLATE, 600X800X250H
588337	MARAABFOBO	b	EL. WARMING PLATE, C-BOARD, 600X800X250H
588557	MBRBBBJOBO	c	EL. WARMING PLATE, C-BOARD, 1000X850X250H
588686	MBRABBFOBO	d	EL. WARMING PLATE, C-BOARD, 600X850X250H
589144	MCRBAAJOBO	e	EL. WARMING PLATE, 1000X900X250H
589145	MCRBABJOBO	e	EL. WARMING PLATE, C-BOARD, 1000X900X250H
589502	MCRAAAFBOBO	f	EL. WARMING PLATE, 600X900X250H
589503	MCRAABFOBO	f	EL. WARMING PLATE, C-BOARD, 600X900X250H

Page	Index
2	Full appliance
4	Aeration kit (FML)

Last Updates
Ed. 01/2015

Page
all

Valid from Ser. № 3101....



2	Alias	Code	Bezeichnung	Description	Ref.	Valid from Serial N°
1	82.7464	0C2496	Dichtband (Schaumstoff-Silikon, mlebend)	Sealing strip	all types	
2	82.7074	0G7238	Glaswärmepatte 800x600	Glas plate 800x600	W=1000	
	82.7073	0G7237	Glaswärmepatte 500x600	Glas plate 500x600	W=600	
	1 201 1444	0K5103	Silikonplättchen	Silicon plate	all types	
	1 201 1792	0K3948	Novasil Kleber	Glue Novasil	all types	
3	82.1000.07		Blende Top 1000	Back panel 1000	W=1000	
	82.1000.03		Blende Top 600	Back panel 600	W=600	
4	82.3024		Elektrobox 800+	Electrical compartment 800+	W=1000	
	82.3010	0G7303	Elektrobox 400+	Electrical compartment 400+	W=600	
5	82.3004.01		Halterung Ventilationsbox L100	Halterung Ventilation box L100	W=1000	
	82.3004.05		Halterung Ventilationsbox L50	Halterung Ventilation box L50	W=600	
6	82.3002		Standard Ventilationsbox rechts	Standard Ventilation box right	all types	
7	82.3001		Standard Ventilationsbox links	Standard Ventilation box left	all types	
8	712 044961.17	0KT854	Kabeltülle Ø25/Ø31/Ø35x10	Cable: sleeve Ø25/Ø31/Ø35x10	all types	
9	82.9118		Schalter off-lin3/4 + Leist + 10k Potentiometer	Switch off-lin3/4 +level+ 10k Potentiometer	D800/900	
	72.4082	0G2401	Schalter	Switch	D850	
10	82.7093	056582	Sicherungshalter	Fuse holder	D800/900	
11	712 344362.01	0G5814	Sicherung 5x20 1A	Fuse 5x20 1A	D800/900	
12	82.9030	0G6075	DC Power Supply 12VDC	DC Power Supply 12VDC	D800/900	
13	82.9115.03	0G6304	Eurotas Display Infrarot	Eurotas Display Infrarot	D800/900	
	72.5938.04	0KI362	Anzeigelampe grün Ø10mm	Indicator light green Ø10mm	D850	
	72.5938.08	0KI364	Einsteckfassung grün/gelb Ø10mm	Lamp holder, green/yellow, Ø10mm	D850	
14	76.3011.01	0G3093	Distanzhalter 8mm	Spacer 8mm	D800/900	
15	82.1027.121		Bedienblende 1000	Control panel 1000	a e	
	82.1049.92		Bedienblende INOX 1000	Control panel INOX 1000	c	
	82.1027.123		Bedienblende 600	Control panel 600	b f	
	82.1049.97		Bedienblende INOX 600	Control panel INOX 600	d	
16	82.7009	0G6247	Dichtung Drehgriff	Sealing for handle	all types	
17	82.9124.05	0G6373	Drehgriff mit Adapter 180°x6.0	Handle with adapter 0°x6.0	all types	
18	73.0057		Wanne 600x800	Plate 600x800	W=1000	
	73.0056	0T2575	Wanne 500x600	Plate 500x600	W=600	
19	82.0732.01		Aufhängung Wanne	Support	W=1000	
	82.0732.03		Aufhängung Wanne	Support	W=600	
20	82.0733.03		Träger verstellbar	Support	W=1000	
	82.0733.01		Träger verstellbar	Support	W=600	
21	82.0732.02		Aufhängung Wanne	Support	all types	
22	82.0733.02		Träger verstellbar	Support	all types	
23	1 701 3535	0G3588	U-Scheibe ø5.3 x Ø10 x 1	Washer ø5.3 x Ø10 x 1	all types	
24	1 701 2623	0T1776	Schraube 6kt M5 x 6	Hex bolt M5 x 6	all types	
25	82.9065	0G6668	Klemme FV122 V/V	Terminal FV122 V/V	all types	
	82.9101	0G7023	Kabel: Klemme FV122 V/V Erdungsbolzen	Cable: terminal FV122 V/V ground bolt	all types	
26	82.9103	0G6424	Kabel: Haupterdtraht L400 6mm ²	Cable: Main earthing L400 6mm ²	all types	
	82.9238		Kabel Warming Plate	Cabling warming plate	D800/900	
	82.9239		Kabel Warming Plate XD	Cabling warming plate D850	D850	
	82.9100	0G7171	Kabel Poti(EGO)-Display straight L200	Cable: Potentiometer - Display L200	D800/900	
	82.9011		Kabel Trafo-Display-Ventilator	Cable: Transformer - Display - Ventilator	D800/900	

