

DE EL. GROSSKOCHPLATTEN 2 ZONEN & 4 ZONEN
EN EL. SOLID TOPS 2 ZONES & 4 ZONES

Ref.	Description	Ref.	Description
a	2 Zones, 1-Side operated, H250, D800	u	2 Zones, 1-Side operated, H800, D800
b	4 Zones, 1-Side operated, H250, D800	v	4 Zones, 1-Side operated, H800, D800
c	2 Zones, 1-Side operated, H250, D900	w	2 Zones, 1-Side operated, H800, D900
d	4 Zones, 1-Side operated, H250, D900	x	4 Zones, 1-Side operated, H800, D900
e	2 Zones, 1-Side operated, H250, D850	y	2 Zones, 2-Side operated, H800, D800
f	4 Zones, 1-Side operated, H250, D850	z	4 Zones, 2-Side operated, H800, D800
g	2 Zones, 2-Side operated, H250, D800	1	2 Zones, 2-Side operated, H800, D900
h	4 Zones, 2-Side operated, H250, D800	2	4 Zones, 2-Side operated, H800, D900
i	2 Zones, 2-Side operated, H250, D900		
j	4 Zones, 2-Side operated, H250, D900		
k	2 Zones, 1-Side operated, H700, D800	3	2 Zones, 1-Side operated, H250, D900, Marine
l	4 Zones, 1-Side operated, H700, D800	4	4 Zones, 1-Side operated, H250, D900, Marine
m	2 Zones, 1-Side operated, H700, D900	5	2 Zones, 2-Side operated, H250, D900, Marine
n	4 Zones, 1-Side operated, H700, D900	6	4 Zones, 2-Side operated, H250, D900, Marine
o	2 Zones, 1-Side operated, H700, D850		
p	4 Zones, 1-Side operated, H700, D850	7	2 Zones, 1-Side operated, H700, D900, Marine
q	2 Zones, 2-Side operated, H700, D800	8	4 Zones, 1-Side operated, H700, D900, Marine
r	4 Zones, 2-Side operated, H700, D800	9	2 Zones, 2-Side operated, H700, D900, Marine
s	2 Zones, 2-Side operated, H700, D900	10	4 Zones, 2-Side operated, H700, D900, Marine
t	4 Zones, 2-Side operated, H700, D900		

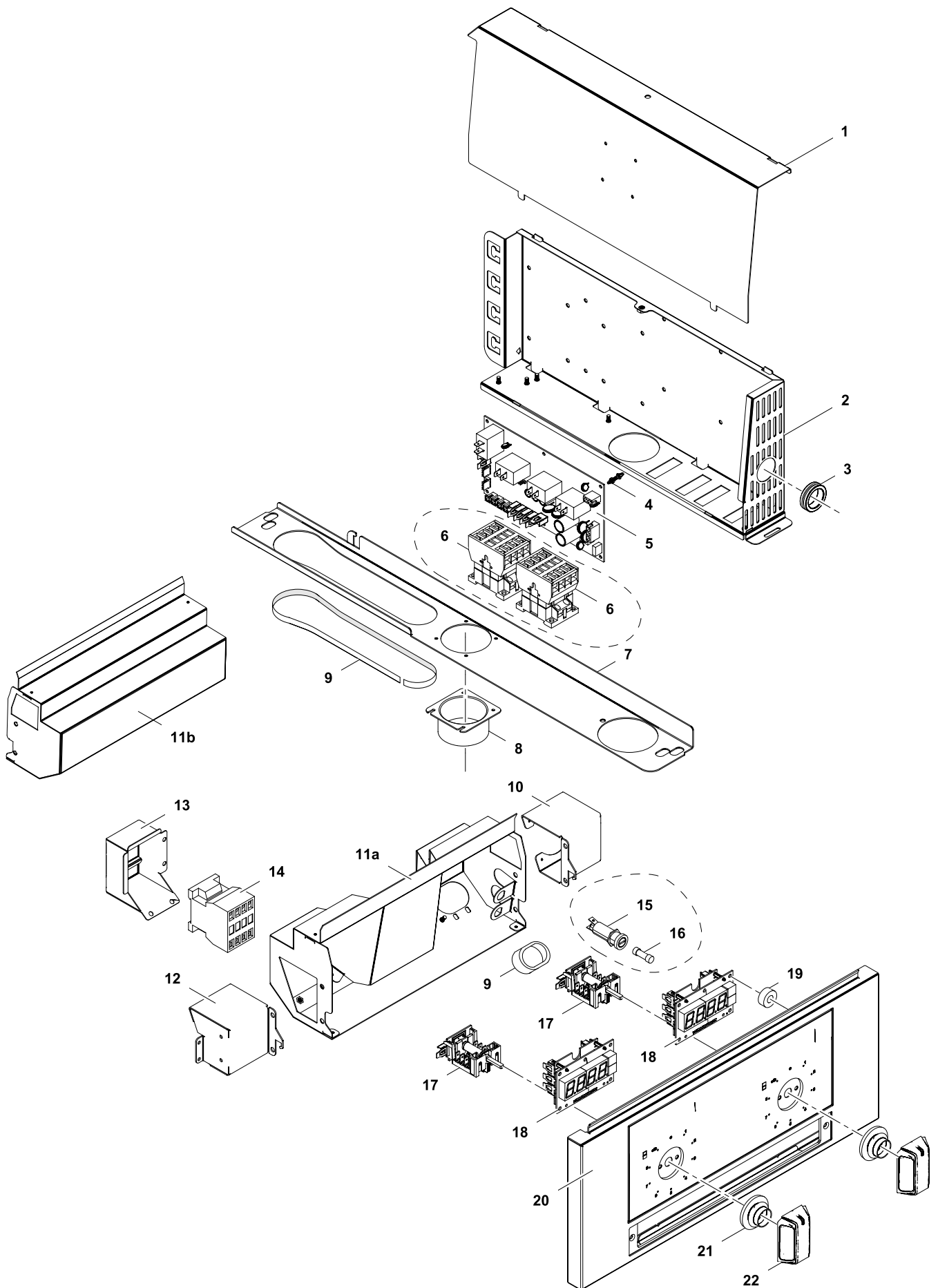
Page	Index	Last Updates	Page
4	Electrical components 2 zones	Ed. 01/2015	all
6	Mechanical module 2 zones		
8	Electrical compartment 4 zones		
10	Sparta box 4 zones		
12	Mechanical module 4 zones		
14	Drain and base *Standard H2		
16	Rolling racks, drain and base *Marine H3		
18	Aeration kit		
20	Grease drawer		
22	Terminal		

Appliances half module (2 Zones):

PNC	Factory Model	Ref.	Description
588000	MALAAAEOAO	a	EL.SOLID TOP, 2 ZONES, 1-SIDE, 500X800X250H
588001	MALAABEOAO	a	EL.SOLID TOP, 2 ZONES, 1-SIDE, C-BOARD, 500X800X250H
588002	MALAAEOAO	g	EL.SOLID TOP, 2 ZONES, 2-SIDES, 500X800X250H
588003	MALBAAEOAO	a	EL.SOLID TOP, 2 ZONES, ECO TOP, 1-SIDE, 500X800X250H
588004	MALBABEOAO	a	EL.SOLID TOP, 2 ZONES, ECO TOP, 1-SIDE, C-BOARD, 500X800X250H
588005	MALBACEOAO	g	EL.SOLID TOP, 2 ZONES, ECO TOP, 2-SIDES, 500X800X250H
588500	MLLABBEOAO	e	EL.SOLID TOP, 2 ZONES, 1-SIDE, C-BOARD, 500X850X250H
588501	MLBBBEOAO	e	EL.SOLID TOP, 2 ZONES, ECO TOP, 1-SIDE, C-BOARD, 500X850X250H
589000	MCLAAAEOAO	c	EL.SOLID TOP, 2 ZONES, 1-SIDE, 500X900X250H
589001	MCLAABEOAO	c	EL.SOLID TOP, 2 ZONES, 1-SIDE, C-BOARD, 500X900X250H
589002	MCLAAEOAO	i	EL.SOLID TOP, 2 ZONES, 2-SIDES, 500X900X250H
589003	MCLBAAEOAO	c	EL.SOLID TOP, 2 ZONES, ECO TOP, 1-SIDE, 500X900X250H
589004	MCLBABEOAO	c	EL.SOLID TOP, 2 ZONES, ECO TOP, 1-SIDE, C-BOARD, 500X900X250H
589005	MCLBACEOAO	i	EL.SOLID TOP, 2 ZONES, ECO TOP, 2-SIDES, 500X900X250H
588338	MALAEAEDAO	k	EL.SOLID TOP UNIT, 2 ZONES, 1-SIDE, 500X800X700H
588339	MALAEBEDAO	k	EL.SOLID TOP UNIT, 2 ZONES, 1-SIDE, C-BOARD, 500X800X700H
588340	MALAECEDAO	q	EL.SOLID TOP UNIT, 2 ZONES, 2-SIDES, 500X800X700H
588341	MALBEAEDAO	k	EL.SOLID TOP UNIT, 2 ZONES, ECO TOP, 1-SIDE, 500X800X700H
588342	MALBEBEDAO	k	EL.SOLID TOP UNIT, 2 ZONES, ECO TOP, 1-SIDE, C-BOARD, 500X800X700H
588343	MALBECEDAO	q	EL.SOLID TOP UNIT, 2 ZONES, ECO TOP, 2-SIDES, 500X800X700H
588350	MALAFAEDAO	u	EL.SOLID TOP UNIT, 2 ZONES, 1-SIDE, 500X800X800H
588351	MALAFBEDAO	u	EL.SOLID TOP UNIT, 2 ZONES, 1-SIDE, C-BOARD, 500X800X800H
588352	MALAFCEDAO	y	EL.SOLID TOP UNIT, 2 ZONES, 2-SIDES, 500X800X800H
588353	MALBFAEDAO	u	EL.SOLID TOP UNIT, 2 ZONES, ECO TOP, 1-SIDE, 500X800X800H
588354	MALBFBEDAO	u	EL.SOLID TOP UNIT, 2 ZONES, ECO TOP, 1-SIDE, C-BOARD, 500X800X800H
588355	MALBFCEDAO	y	EL.SOLID TOP UNIT, 2 ZONES, ECO TOP, 2-SIDES, 500X800X800H
588680	MLLAGBEDAO	o	EL.SOLID TOP UNIT, 2 ZONES, 1-SIDE, C-BOARD, 500X850X700H
588681	MLBGBEDAO	o	EL.SOLID TOP UNIT, 2 ZONES, ECO TOP, 1-SIDE, C-BOARD, 500X850X700H
589508	MCLAEAEDAO	m	EL.SOLID TOP UNIT, 2 ZONES, 1-SIDE, 500X900X700H
589509	MCLAEBEDAO	m	EL.SOLID TOP UNIT, 2 ZONES, 1-SIDE, C-BOARD, 500X900X700H
589510	MCLAECEDAO	s	EL.SOLID TOP UNIT, 2 ZONES, 2-SIDES, 500X900X700H
589511	MCLBEAEDAO	m	EL.SOLID TOP UNIT, 2 ZONES, ECO TOP, 1-SIDE, 500X900X700H
589512	MCLBEBEDAO	m	EL.SOLID TOP UNIT, 2 ZONES, ECO TOP, 1-SIDE, C-BOARD, 500X900X700H
589513	MCLBECEDAO	s	EL.SOLID TOP UNIT, 2 ZONES, ECO TOP, 2-SIDES, 500X900X700H
589520	MCLAFAEDAO	w	EL.SOLID TOP UNIT, 2 ZONES, 1-SIDE, 500X900X800H
589521	MCLAFBEDAO	w	EL.SOLID TOP UNIT, 2 ZONES, 1-SIDE, C-BOARD, 500X900X800H
589522	MCLAFCEDAO	l	EL.SOLID TOP UNIT, 2 ZONES, 2-SIDES, 500X900X800H
589523	MCLBFAEDAO	w	EL.SOLID TOP UNIT, 2 ZONES, ECO TOP, 1-SIDE, 500X900X800H
589524	MCLBFBEDAO	w	EL.SOLID TOP UNIT, 2 ZONES, ECO TOP, 1-SIDE, C-BOARD, 500X900X800H
589525	MCLBFCEDAO	l	EL.SOLID TOP UNIT, 2 ZONES, ECO TOP, 2-SIDES, 500X900X800H
589866	MCLAAAEODM	3	MARINE * SOLID TOP, 2 ZONES, 1-SIDE, 500X900X250H
589867	MCLAAEOODM	5	MARINE * SOLID TOP, 2 ZONES, 2-SIDES, 500X900X250H
589868	MCLBAAEODM	3	MARINE * SOLID TOP, 2 ZONES, ECO TOP, 1-SIDE, 500X900X250H
589869	MCLBACEODM	5	MARINE * SOLID TOP, 2 ZONES, ECO TOP, 2-SIDES, 500X900X250H
589874	MCLVEAEIDM	7	MARINE * SOLID TOP UNIT, H3, 2 ZONES, 1-SIDE, 500X900X700H
589875	MCLVECEIDM	9	MARINE * SOLID TOP UNIT, H3, 2 ZONES, 2-SIDES, 500X900X700H
589876	MCLWEAEIDM	7	MARINE * SOLID TOP UNIT, H3, 2 ZONES, ECO TOP, 1-SIDE, 500X900X700H
589877	MCLWECEIDM	9	MARINE * SOLID TOP UNIT, H3, 2 ZONES, ECO TOP, 2-SIDES, 500X900X700H

Appliances full module (4 Zones):

PNC	Factory Model	Ref.	Description
588006	MALCAAHOAO	b	EL.SOLID TOP, 4 ZONES, 1-SIDE, 800X800X250H
588007	MALCABHOAO	b	EL.SOLID TOP, 4 ZONES, 1-SIDE, C-BOARD, 800X800X250H
588008	MALCACHOAO	h	EL.SOLID TOP, 4 ZONES, 2-SIDES, 800X800X250H
588009	MALDAAHOAO	b	EL.SOLID TOP, 4 ZONES, ECO TOP, 1-SIDE, 800X800X250H
588010	MALDABHOAO	b	EL.SOLID TOP, 4 ZONES, ECO TOP, 1-SIDE, C-BOARD, 800X800X250H
588011	MALDACHOAO	h	EL.SOLID TOP, 4 ZONES, ECO TOP, 2-SIDES, 800X800X250H
588502	MBLCBBHOAO	f	EL.SOLID TOP, 4 ZONES, 1-SIDE, C-BOARD, 800X850X250H
588503	MBLDBBHOAO	f	EL.SOLID TOP, 4 ZONES, ECO TOP, 1-SIDE, C-BOARD, 800X850X250H
589006	MCLCAAJOAO	d	EL.SOLID TOP, 4 ZONES, 1-SIDE, 1000X900X250H
589007	MCLCABJOAO	d	EL.SOLID TOP, 4 ZONES, 1-SIDE, C-BOARD, 1000X900X250H
589008	MCLCACJOAO	j	EL.SOLID TOP, 4 ZONES, 2-SIDES, 1000X900X250H
589009	MCLDAAJOAO	d	EL.SOLID TOP, 4 ZONES, ECO TOP, 1-SIDE, 1000X900X250H
589010	MCLDABJOAO	d	EL.SOLID TOP, 4 ZONES, ECO TOP, 1-SIDE, C-BOARD, 1000X900X250H
589011	MCLDACJOAO	j	EL.SOLID TOP, 4 ZONES, ECO TOP, 2-SIDES, 1000X900X250H
588344	MALCEAHDAO	l	EL.SOLID TOP UNIT, 4 ZONES, 1-SIDE, 800X800X700H
588345	MALCEBHDAO	l	EL.SOLID TOP UNIT, 4 ZONES, 1-SIDE, C-BOARD, 800X800X700H
588346	MALCECHDAO	r	EL.SOLID TOP UNIT, 4 ZONES, 2-SIDES, 800X800X700H
588347	MALDEAHDAO	l	EL.SOLID TOP UNIT, 4 ZONES, ECO TOP, 1-SIDE, 800X800X700H
588348	MALDEBHDAO	l	EL.SOLID TOP UNIT, 4 ZONES, ECO TOP, 1-SIDE, C-BOARD, 800X800X700H
588349	MALDECHDAO	r	EL.SOLID TOP UNIT, 4 ZONES, ECO TOP, 2-SIDES, 800X800X700H
588356	MALCFAHDAO	v	EL.SOLID TOP UNIT, 4 ZONES, 1-SIDE, 800X800X800H
588357	MALCFBHDAO	v	EL.SOLID TOP UNIT, 4 ZONES, 1-SIDE, C-BOARD, 800X800X800H
588358	MALCFCHDAO	z	EL.SOLID TOP UNIT, 4 ZONES, 2-SIDES, 800X800X800H
588359	MALDFAHDAO	v	EL.SOLID TOP UNIT, 4 ZONES, ECO TOP, 1-SIDE, 800X800X800H
588360	MALDFBHDAO	v	EL.SOLID TOP UNIT, 4 ZONES, ECO TOP, 1-SIDE, C-BOARD, 800X800X800H
588361	MALDFCHDAO	z	EL.SOLID TOP UNIT, 4 ZONES, ECO TOP, 2-SIDES, 800X800X800H
588682	MBLCGBHDAO	p	EL.SOLID TOP UNIT, 4 ZONES, 1-SIDE, C-BOARD, 800X850X700H
588683	MBLDGBHDAO	p	EL.SOLID TOP UNIT, 4 ZONES, ECO TOP, 1-SIDE, C-BOARD, 800X850X700H
589514	MCLCEAJDAO	n	EL.SOLID TOP UNIT, 4 ZONES, 1-SIDE, 1000X900X700H
589515	MCLCEBJDAO	n	EL.SOLID TOP UNIT, 4 ZONES, 1-SIDE, C-BOARD, 1000X900X700H
589516	MCLCECJDAO	t	EL.SOLID TOP UNIT, 4 ZONES, 2-SIDES, 1000X900X700H
589517	MCLDEAJDAO	n	EL.SOLID TOP UNIT, 4 ZONES, ECO TOP, 1-SIDE, 1000X900X700H
589518	MCLDEBJDAO	n	EL.SOLID TOP UNIT, 4 ZONES, ECO TOP, 1-SIDE, C-BOARD, 1000X900X700H
589519	MCLDECJDAO	t	EL.SOLID TOP UNIT, 4 ZONES, ECO TOP, 2-SIDES, 1000X900X700H
589526	MCLCFAJDAO	x	EL.SOLID TOP UNIT, 4 ZONES, 1-SIDE, 1000X900X800H
589527	MCLCFBJDAO	x	EL.SOLID TOP UNIT, 4 ZONES, 1-SIDE, C-BOARD, 1000X900X800H
589528	MCLCFCJDAO	2	EL.SOLID TOP UNIT, 4 ZONES, 2-SIDES, 1000X900X800H
589529	MCLDFAJDAO	x	EL.SOLID TOP UNIT, 4 ZONES, ECO TOP, 1-SIDE, 1000X900X800H
589530	MCLDFBJDAO	x	EL.SOLID TOP UNIT, 4 ZONES, ECO TOP, 1-SIDE, C-BOARD, 1000X900X800H
589531	MCLDFCJDAO	2	EL.SOLID TOP UNIT, 4 ZONES, ECO TOP, 2-SIDES, 1000X900X800H
589870	MCLCAAJODM	4	MARINE * SOLID TOP, 4 ZONES, 1-SIDE, 1000X900X250H
589871	MCLCACJODM	6	MARINE * SOLID TOP, 4 ZONES, 2-SIDES, 1000X900X250H
589872	MCLDAAJODM	4	MARINE * SOLID TOP, 4 ZONES, ECO TOP, 1-SIDE, 1000X900X250H
589873	MCLDACJODM	6	MARINE * SOLID TOP, 4 ZONES, ECO TOP, 2-SIDES, 1000X900X250H
589878	MCLXEAJIDM	8	MARINE * SOLID TOP UNIT, H3, 4 ZONES, 1-SIDE, 1000X900X700H
589879	MCLXECJIDM	10	MARINE * SOLID TOP UNIT, H3, 4 ZONES, 2-SIDES, 1000X900X700H
589880	MCLYEAJIDM	8	MARINE * SOLID TOP UNIT, H3, 4 ZONES, ECO TOP, 1-SIDE, 1000X900X700H
589881	MCLYECJIDM	10	MARINE * SOLID TOP UNIT, H3, 4 ZONES, ECO TOP, 2-SIDES, 1000X900X700H

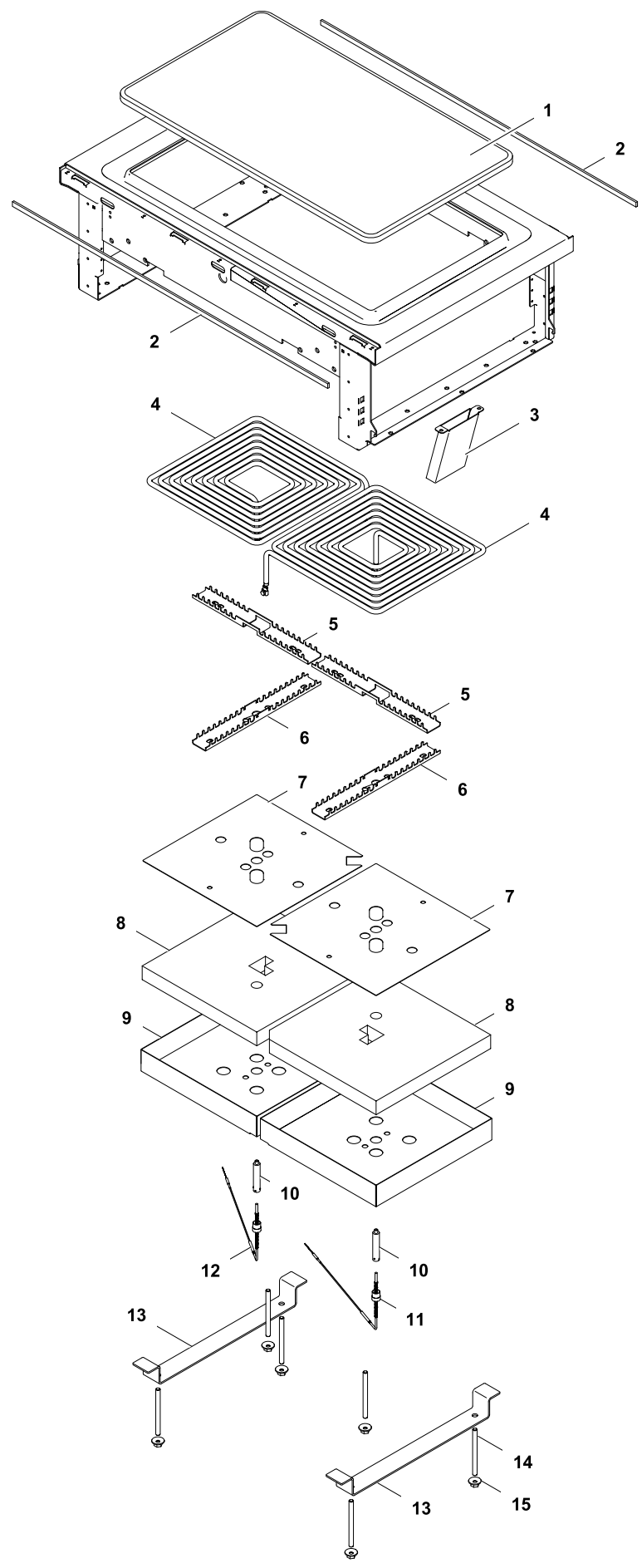


1	Alias	Code	Bezeichnung	Description	Ref.	Valid from Serial N°
1	82.3042	*	Deckel Elektrobox Sparta	Top cover Sparta box	all 2Zone	
2	82.3041	*	Elektrobox Sparta	Sparta box	all 2Zone	
3	712 044961.17	OKT854	Kabeltülle Ø25/Ø31/Ø35x10	Cable: sleeve Ø25/Ø31/Ø35x10	all 2Zone	
4	75.5000	OG4212	Distanzhalter Kunststoff	Plastic spacer support	all 2Zone	
5	82.7014.KD	OG6221	Mainboard SPARTA	Mainboard SPARTA	all 2Zone	
6	1 115 1757	OG4645	Schütz K3-14x027 + K2-E230	Conductor K3-24x027 + K2-E230	2Zone Marine	
7	82.3040.01	*	Schiene Spatabox D800	Guide track D800	2Zone /D800	
	82.3040.02	*	Schiene Spatabox D850	Guide track D850	2Zone /D850	
	82.3040.03	*	Schiene Spatabox D900	Guide track D900	2Zone /D900	
8	83.3021	*	Rohrstutzen Ø 60.3	Pipe socket Ø 60.3	all 2Zone	
9	1 201 2086		Kantenschutz	Edge protection	all 2Zone	
10	82.3002	*	Ventilationsbox rechts	Aeration box right	all 2Zone	
11a	82.3037	*	Electrobox Solid Top	Electronical compartment	all 2Zone	
11b	82.3038	*	Electrobox Rückseite Solid Top 2-seitig	Electronical compartment 2-side	all 2Zone/2-side	
12	82.3001	*	Ventilationsbox links	Aeration box left	all 2Zone	
13	82.3048		Aufsteckblech	Conductor box	all 2Zone/1-side	
14	1 115 1752	006879	Schütz K3-18N10	Conductor K3-18N10	all 2Zone/1-side	
15	879204	OC2228	Sicherungshalter Schurter 6.3x32 500V	Fuse holder Schurter 6.3x32 500V	2Zone Marine	
16	82.9171	OTTR73	Sicherung 6.3x32 0.63A 500V	Fuse 6.3x32 0.63A 500V	2Zone Marine	
17	82.9013	OG6242	Schalter off - 9 Stufen + 10k Potent	Switch off - 9 level + 10k potentiometer	all 2Zone	
18	82.7015	OG6246	Eurotas Display	Eurotas Display	D800/D900	
	72.5938.04	OKI362	Anzeigelampe grün	Indicator light, green	D850	
	72.5938.08	OKI364	Einsteckfassung grün/gelb Ø10mm	Lamp holder, green/yellow, Ø10mm	D850	
19	76.3011	OG3093	Distanzhalter 8mm	Spacer 8mm	all 2Zone	
20	82.1027.02	*	Bedienblende 500 (Schublade)	Control panel 500 (drawer)	a b	
	82.1027.12	*	Bedienbl. 500 (oh. Schublade)	Control panel 500 (no drawer)	k m u v 3 7	
	82.1049.02	*	Bedienbl. 500 (Schubl.) INOX	Contr. panel 500 (drawer) INOX	e	
	82.1049.06	*	Bedienbl. 500 (oh. Schubl.) INOX	Contr. panel 500 (no draw.) INOX	o	
	82.1027.01	*	Bedienbl. 2-seitig 500 Rückseite	Control panel 2-sides 500 back side	all 2-side	
	82.1027.17	*	Bedienbl. 2-seitig 500 (oh. Schublade)	Control panel 2-sides 500 (no drawer)	all 2-side/H700/800	
	82.1027.05	*	Bedienbl. 2-seitig 500 (Schublade)	Control panel 2-sides 500 (drawer)	all 2-side/H250	
21	82.7009	OG6247	Dichtung Drehgriff	Sealing for handle	all 2Zone	
22	82.9124.01	OG6369	Drehgriff mit Adapter 0°x6.0	Handle with adapter 0°x6.0	all 2Zone	
	82.9001	OG6461	Kabel: Sparta - Display L2200	Cable: Sparta - Display L2200	a c g i k m q s u w y l	
	82.9002	OG6897	Kabel: Display - Display L290	Cable: Display - Display L290	a c k m u v	
	82.9003	OG6899	Kabel: Potentiometer - Display L200	Cable: Potentiometer - Display L200	a c g i k m q s u w y l	
	82.9009	OG6906	Kabel: Sparta - Ventilator L2000	Cable: Sparta - Ventilator L2000	a c e g i k m o q s u w y l	
	82.9137		Kabel: Ventilator - Ventilator	Cable: Ventilator - Ventilator	a c e g i k m o q s u w y l	
	82.9077		Kabel: X0 - RL - Heizung 3kW Solidtop	Cable: X0 - RL - Heating 3kW Solidtop	a c e g i k m o q s u w y l	
	82.9083		Kabel: Sparta - N - Schalter - P	Cable: Sparta - N - Switch - P	a c k m u v	
	82.9224.01		Kabel: Schalter - Contactor KS	Cable: Switch - Contactor KS	a c k m u v e o	
	82.9224.02		Kabel: Schalter - Contactor KS	Cable: Switch - Contactor KS	g i q s y l	
	82.9044.02		Kabel: Sparta - Potentiometer	Cable: Sparta - Potentiometer	2Z/D850	
	82.9081		Kabel: Sparta - N - Schalter P	Cable: Sparta - N - Switch - P	2Z/D850	
	82.9086		Kabel: Sparta - N - Schalter P 2-seitig	Cable: Sparta - N - Switch - P 2-sides	g i q s y l	
	82.9213		Kabelbaum Solid Top 2Z, 1-Side Marine	Cabling Solid top 2Z, 1-Side Marine	2Z/1-Side Marine	
	82.9214		Kabelbaum Solid Top 2Z, 2-Side Marine	Cabling Solid top 2Z, 2-Side Marine	2Z/2-Side Marine	

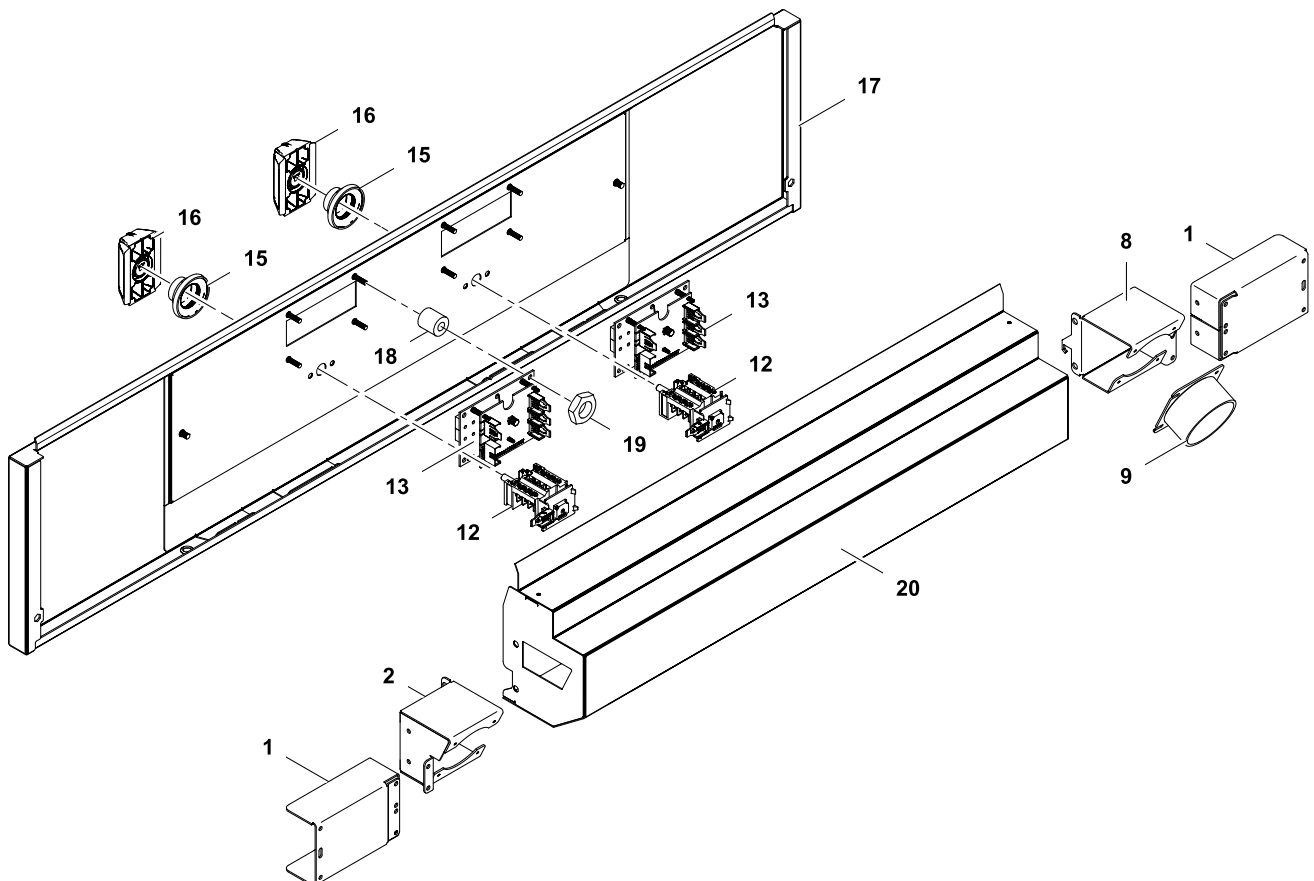
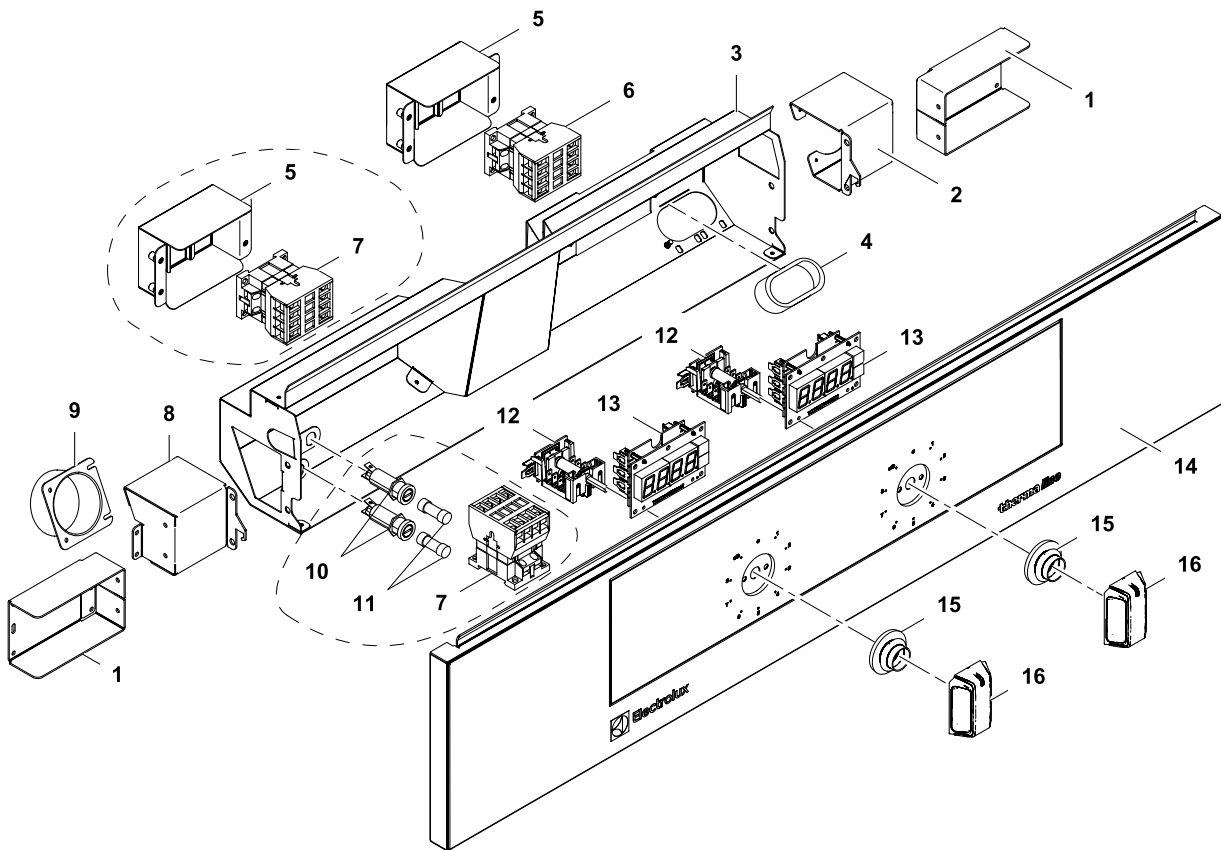
* Components on demand
* Teile auf Anfrage

Doc. № 82.8120.03

Page: 5

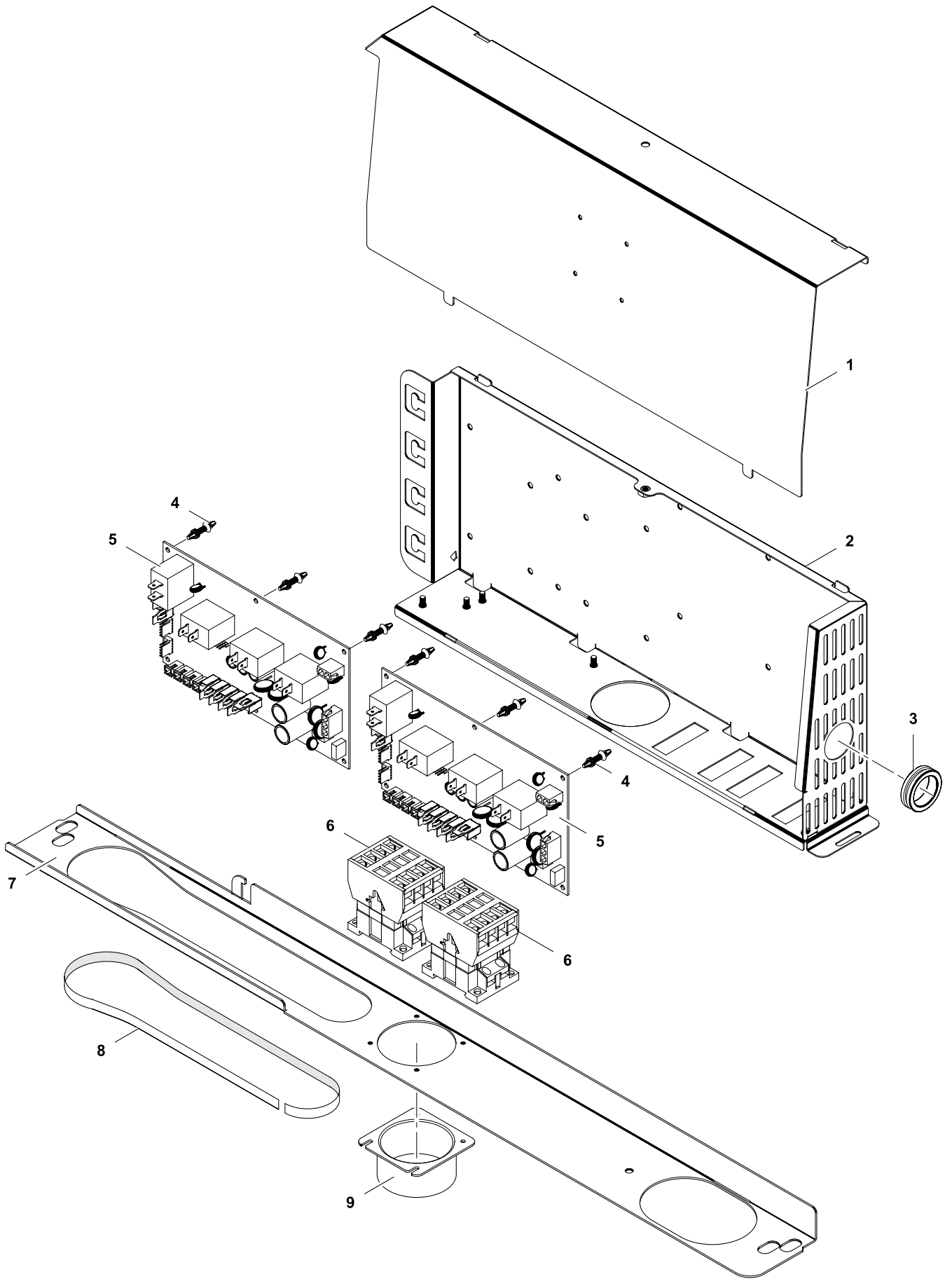


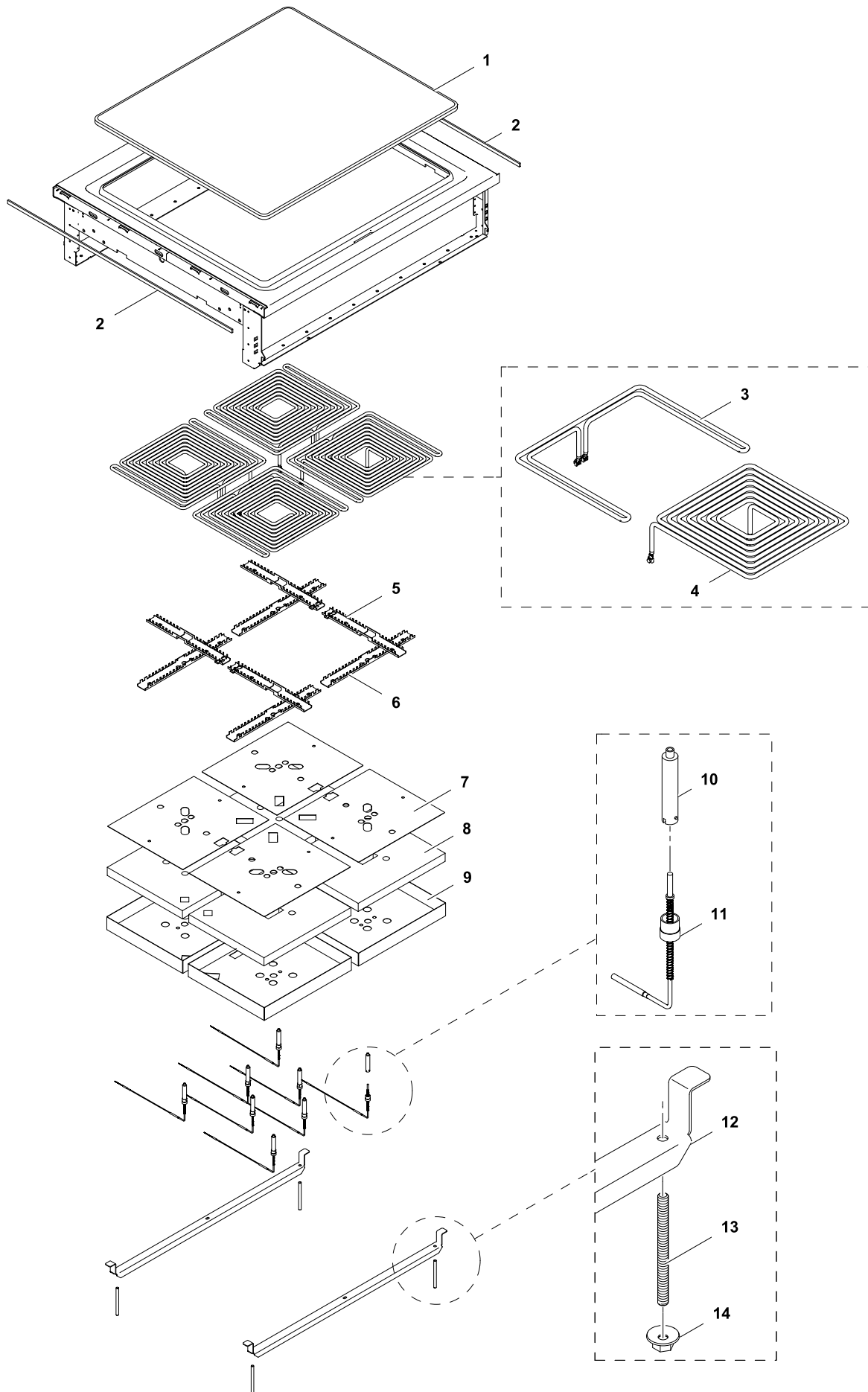
2	Alias	Code	Bezeichnung	Description	Ref.	Valid from Serial N°
1	82.7323.02		Kochplatte ECO Top 500x900	Cooking plate ECO top 500x900	ECO top/2Z/D900	
	82.7323.03		Kochplatte Solid Top 500x900	Cooking plate Solid top 500x900	Solid top/2Z/D900	
	82.7321.02		Kochplatte ECO Top 500x800/850	Cooking plate ECO top 500x800/850	ECO top/2Z/D800/850	
	82.7321.03		Kochplatte Solid Top 500x800/850	Cooking plate Solid top 500x800/850	Solid top/2Z/D800/850	
2	82.7464	OC2496	Dichtband (klebend)	Sealing strip	all 2Zone	
3	82.2684		Ablauf Solid Top	Drain Solid Top	all 2Zone/H250	
4	82.7257.02	OG6251	Heizelement 3kW 230V	Heating element 3kW 230V	2Zone Standard	
	82.7257.07		Heizelement 3kW 440V (Marine)	Heating element 3kW 440V (marine)	2Zone Marine	
5	82.2232		Heizungshalter längs	Heating element support lengthwise	all 2Zone	
6	82.2231		Heizungshalter quer	Heating element support crosswise	all 2Zone	
7	82.2233		Strahlungsblech	Radiation sheet	all 2Zone	
8	82.7307.01		Isolation Heizelement 3kW	Insulation heating element 3kW	all 2Zone	
9	82.2234		Verschalung	Cover sheet	all 2Zone	
10	75.9013.04	OKE127	Fühlerschutz	Sensor protection	all 2Zone	
11	879046	OG5934	TC Bodenfühler links (grün)	TC bottom sensor left (green)	all 2Zone	
12	879045	OG5935	TC Bodenfühler rechts (blau)	TC bottom sensor right (blue)	all 2Zone	
13	82.1121		Befestigungsbügel	Support	all 2Zone	
14	72.0343.01	OKD994	Gewindestift M8x100	Set screw M8X100	all 2Zone	
15	712 044120.08		Keps Mutter M8	Keps nut M8	all 2Zone	



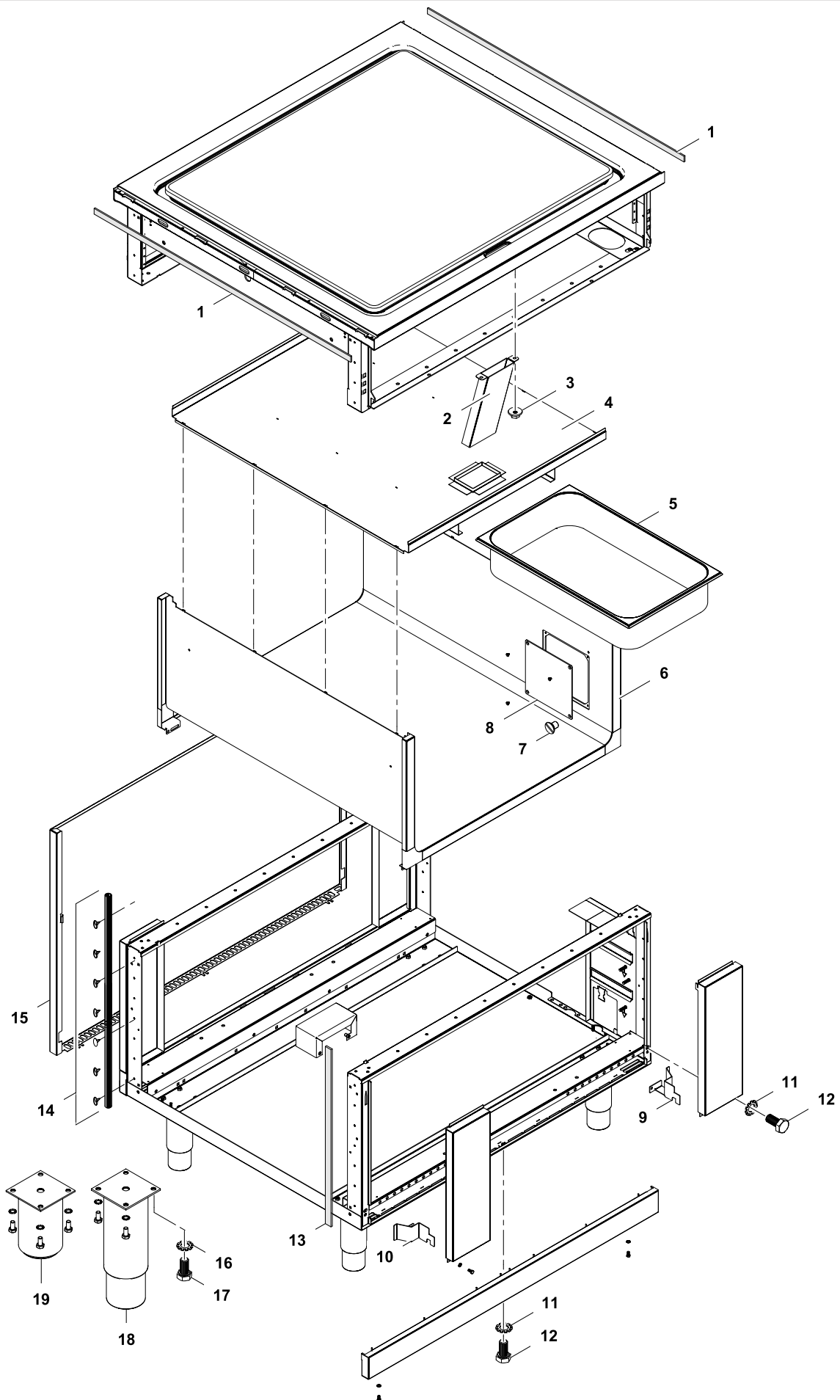
3	Alias	Code	Bezeichnung	Description	Ref.	Valid from Serial N°
1	82.3004.01	*	Halterung Ventilationsbox L=100	Ventilation box support	all types	
2	82.3002	*	Standardventilationsbox rechts	Ventilation box right	all types	
3	82.3034	*	Elektrobox 4 Zonen	Electrical compartment 4 zones	all types	
4	1 201 2086	OG4872	Kantenschutz	Edge protection	all types	
5	82.3045	*	Aufsteckblech	Conductor box	all types	
6	82.9228	???	Schütz K2-30A00-40	Conductor K2-30A00-40	all types	
7	1 115 1757	OG4645	Schütz K3-14x027	Conductor K3-14x027	all types	
8	82.3001	*	Standardventilationsbox links	Ventilation box left	all types	
9	83.3021	*	Rohrstutzen Ø 60.3	Pipe socket Ø 60.3	all types	
10	879204	OC2228	Sicherungshalter Schurter 6.3x32 500V	Fuse holder Schurter 6.3x32 500V	Marine	
11	82.9171	OTTR73	Sicherung 6.3x32 0.63A 500V	Fuse 6.3x32 0.63A 500V	Marine	
12	82.9013	OG6242	Schalter off - 9 Stufen + 10k Potent	Switch off - 9 level + 10k potentiometer	all types	
13	82.7015	OG6246	Eurotas Display	Eurotas Display	D800/900	
	72.5938.04	OKI362	Anzeigelampe grün	Indicator light, green	D850	
	72.5938.08	OKI364	Einsteckfassung grün/gelb Ø10mm	Lamp holder, green/yellow, Ø10mm	D850	
14	82.1027.03	*	Bedienblende 800 2S (Schublade)	Control panel 800 2S (drawer)		
	82.1027.09	*	Bedienblende 800 2S	Control panel 800 2S		
	82.1027.04	*	Bedienblende 800 1S (Schublade)	Control panel 800 1S (drawer)		
	82.1027.15	*	Bedienblende 800 1S	Control panel 800 1S		
	82.1049.04	*	Bedienb. 800 1S INOX (Schublade)	Control panel 800 1S INOX (drawer)		
	82.1049.07	*	Bedienblende 800 1S INOX	Control panel 800 1S INOX		
	82.1027.11	*	Bedienblende 1000 2S (Schublade)	Control panel 1000 2S (drawer)		
	82.1027.06	*	Bedienblende 1000 2S	Control panel 1000 2S		
	82.1027.07	*	Bedienblende 1000 1S (Schublade)	Control panel 1000 1S (drawer)		
	82.1027.16	*	Bedienblende 1000 1S	Control panel 1000 1S		
15	82.7009	OG6247	Dichtung Drehgriff	Sealing for handle		
16	82.9124.01	OG6369	Drehgriff mit Adapter 0°x6.0	Handle with adapter 0°x6.0		
17	82.1027.09	*	Bedienblende 800 2S	Control panel 800 2S		
	82.1027.06	*	Bedienblende 1000 2S	Control panel 1000 2S		
	82.1000.05	*	Blende 800	Panel 800		
	82.1000.07	*	Blende 1000	Panel 1000		
18	76.3011	OG3093	Distanzhalter 8mm	Spacer 8mm	D800/900	
19	712 044120.04	OG4918	Keps-Mutter M4	Keps nut M4	all types	
20	82.3036	*	Elektrobox Rückseite	Electrical compartment backside	all 2-Sides	
	82.9001	OG6461	Kabel: Sparta - Display L2200	Cable: Sparta - Display L2200	D800/D900 Standard	
	82.9002	OG6897	Kabel: Display - Display L290	Cable: Display - Display L290	D800/D900 Standard	
	82.9003	OG6899	Kabel: Potentiometer - Dispaly L200	Cable: Potentiometer - Dispaly L200	D800/D900 Standard	
	82.9009	OG6906	Kabel: Sparta - Ventilator L2000	Cable: Sparta - Ventilator L2000	all Standard	
	82.9107		Kabel: Sparta - Sparta Kommunikation	Cable: Sparta - Sparta communication	all Standard	
	82.9077		Kabel: X0 - RL - Heizungen 12 /3kW	Cable: X0 - RL - heating el. 12 /3kW	D800/850	
	82.9078		Kabel: X0 - RL - Heizungen 34 /3kW	Cable: X0 - RL - heating el. 34 /3kW	D800/850	
	82.9079		Kabel: X0 - RL - Heizungen 12 /4kW	Cable: X0 - RL - heating el. 12 /4kW	D900	
	28.9080		Kabel: X0 - RL - Heizungen 34 /4kW	Cable: X0 - RL - heating el. 34 /4kW	D900	
	82.9125		Kabel: Sparta - N - Schalter - P 12	Cable: Sparta - N - switch - P 12	D800	
	82.9126		Kabel: Sparta - N - Schalter - P 34	Cable: Sparta - N - switch - P 34	D800	
	82.9081		Kabel: Sparta - N - Schalter - P 12 XD	Cable: Sparta - N - switch - P 12 XD	D850	
	82.9082		Kabel: Sparta - N - Schalter - P 34 XD	Cable: Sparta - N - switch - P 34 XD	D850	
	82.9083		Kabel: Sparta - N - Schalter - P 12	Cable: Sparta - N - switch - P 12	D900	
	82.9084		Kabel: Sparta - N - Schalter - P 34	Cable: Sparta - N - switch - P 34	D900	
	82.9022.03		Kabel: Schalter S2/3 - Schalter S4 kurz	Cable: switch S2/3 - switch S4 short	all Standard	
	82.9224.03		Kabel Schalter - Schütz KS	Cable switch - Sconductor KS	all Standard	
	82.9044.02	OG6181	Kabel: Sparta - Potentiometer L200	Cable: Sparta - potentiometer L200	D850	
	82.9137		Kabel: Ventilator - Ventilator	Cable: Ventilator - Ventilator	all Standard 2-Sides	
	82.9198		Kabelbaum Solid Top 4Z/1S Marine	Wiring harness Solid Top 4Z/1S Marine	Marine 1-Side	
	82.9215		Kabelbaum Solid Top 4Z/2S Marine	Wiring harness Top 4Z/2S Marine	Marine 2-Sides	

* Components on demand
* Teile auf Anfrage

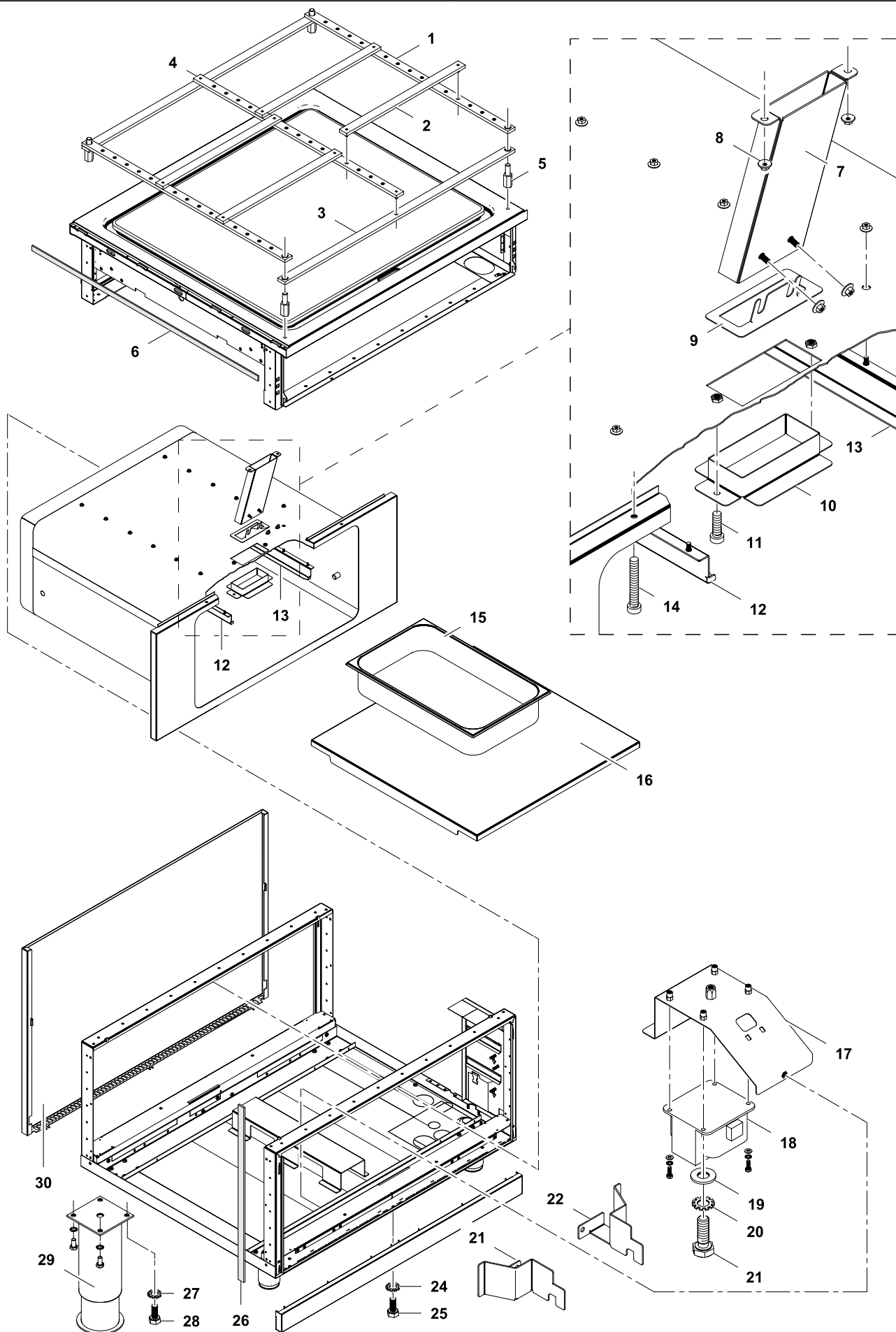




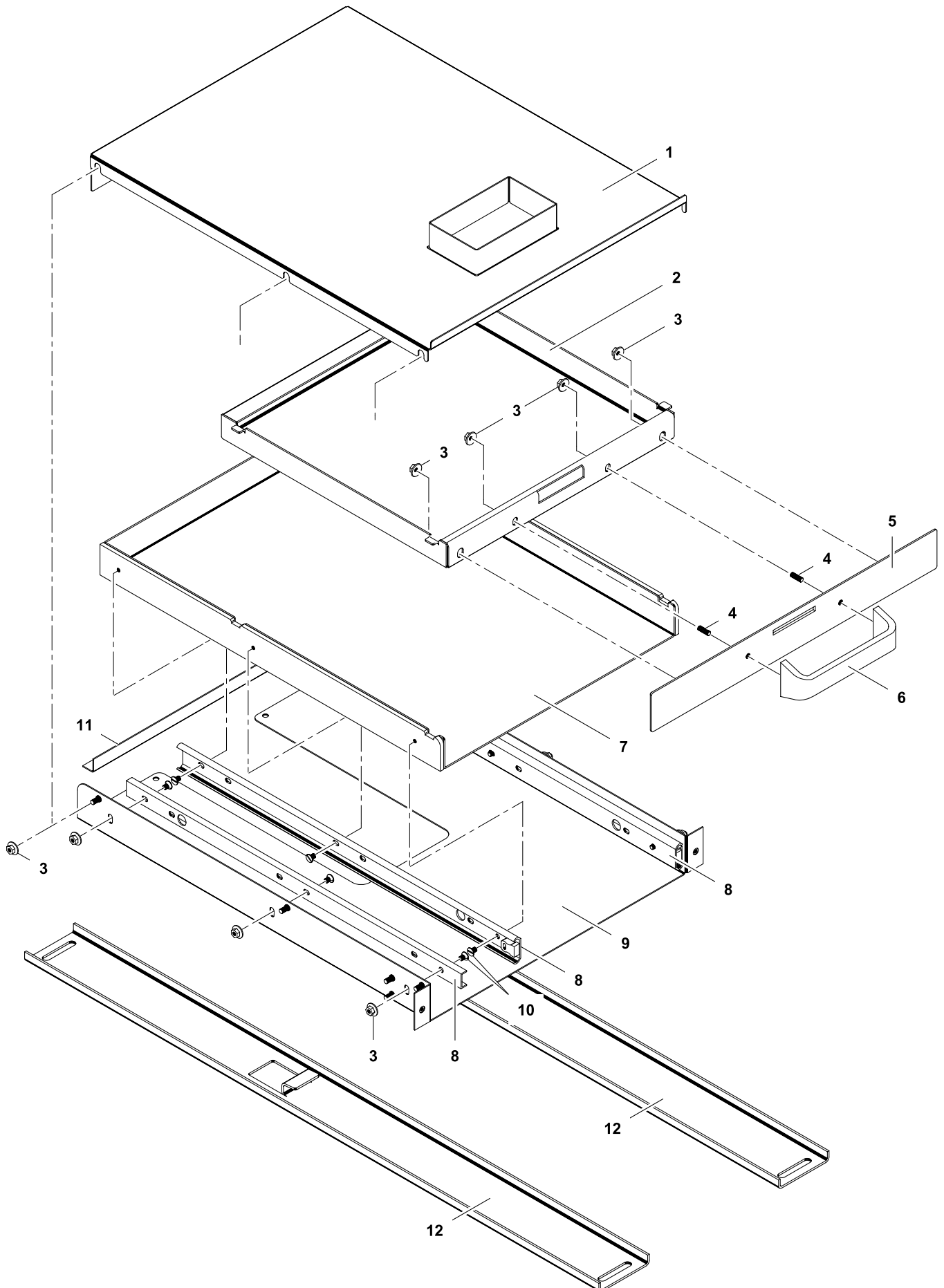
5	Alias	Code	Bezeichnung	Description	Ref.	Valid from Serial N°
1	82.7322.02		Kochplatte ECO Top 800x800/850	Cooking plate ECO top 800x800/850	ECO top/4Z/D800/850	
	82.7322.03		Kochplatte Solid Top 800x800/850	Cooking plate Solid top 800x800/850	Solid top/4Z/D800/850	
	82.7324.02		Kochplatte ECO Top 1000x900	Cooking plate ECO top 1000x900	ECO top/4Z/D900	
	82.7324.03		Kochplatte Solid Top 1000x900	Cooking plate Solid top 1000x900	Solid top/4Z/D900	
2	82.7464	OC2496	Dichtband (klebend)	Sealing strip	all 4 Zone	
3	82.7166.02		Heizelement 1kW 230V	Heating element 1kW 230V	Standard 4Z/D900	
	82.7166.07		Heizelement 1kW 440V (Marine)	Heating element 1kW 440V (marine)	Marine 4Z/D900	
4	82.7257.02	OG6251	Heizelement 3kW 230V	Heating element 3kW 230V	all 4 Zone	
	82.7257.07		Heizelement 3kW 440V (Marine)	Heating element 3kW 440V (marine)	all 4 Zone	
5	82.2232		Heizungshalter längs 800	Heating element support lengthwise	4Zone, D800/850	
	82.2188		Heizungshalter längs 1000	Heating element support lengthwise	4Zone, D900	
6	82.2231		Heizungshalter quer 800	Heating element support crosswise	4Zone, D800/850	
	82.2187		Heizungshalter quer 1000	Heating element support crosswise	4Zone, D900	
7	82.2233		Strahlungsblech 800	Radiation sheet 800	4Zone, D800/850	
	82.2189		Strahlungsblech 1000	Radiation sheet 1000	4Zone, D900	
8	82.7307.01		Isolation Heizelement 3kW	Insulation heating element 3kW	4Zone, D800/850	
	82.7307.02		Isolation Heizelement 4kW	Insulation heating element 4kW	4Zone, D900	
9	82.2234		Verschalung 800	Cover sheet 800	4Zone, D800/850	
	82.2190		Verschalung 1000	Cover sheet 1000	4Zone, D900	
10	75.9013.04	OKE127	Fühlerschutz	Sensor protection	all 4 Zone	
11	87.9045	OG5935	TC Bodenfühler rechts (blau)	TC bottom sensor right (blue)	all 4 Zone	
12	82.1127.01		Befestigungsbügel 800	Support	4Zone, D800/850	
	82.1127.02		Befestigungsbügel 1000	Support	4Zone, D900	
13	72.0343.01	OKD994	Gewindestift M8x100	Set screw M8X100	all 4 Zone	
14	712 044120.08		Keps Mutter M8	Keps nut M8	all 4 Zone	

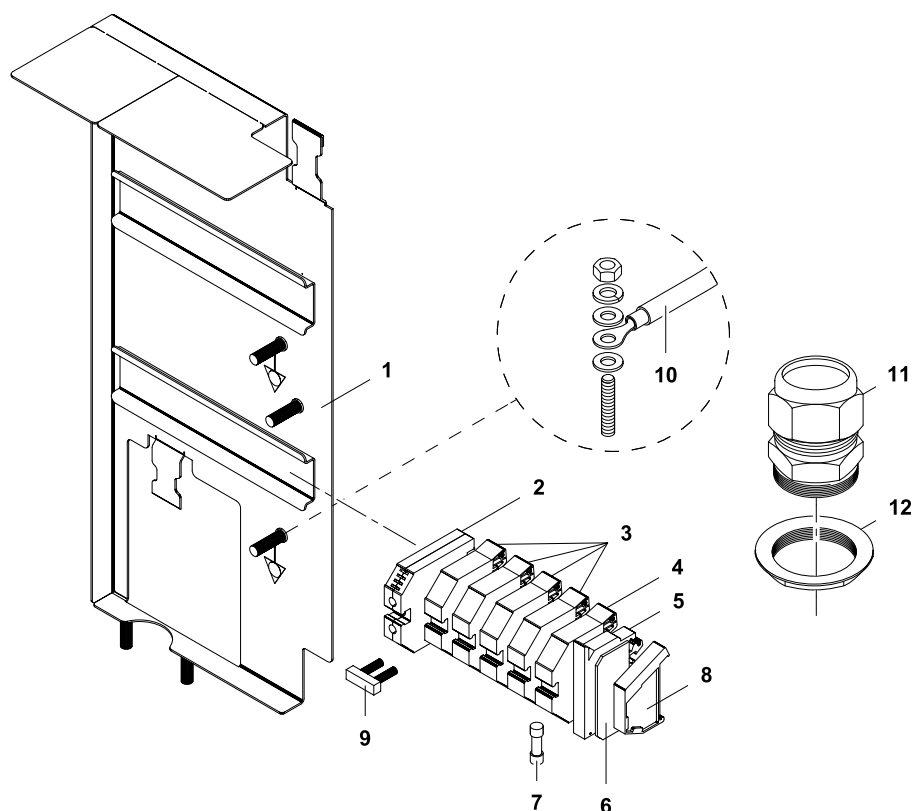


6	Alias	Code	Bezeichnung	Description	Ref.	Valid from Serial N°
1	82.7464	OC2496	Dichtband (klebend)	Sealing strip	all types	
2	82.0651		Ablauf in Korpus	Drain in copus	H700/800	
3	712 044120.04	OG4918	Kep-Mutter M4	Keps nut M4	H700/800	
4	82.0101.13	*	Korpusdeckel H2 W500/D800/900/850	Cover for corpus H2 W500/D800/900/850	k m o u w	
	82.0101.14	*	Korpusdeckel H2 W800/D800/850	Cover for corpus H2 W800/D800/850	l p v	
	82.0101.19	*	Korpusdeckel H2 W1000/D900	Cover for corpus H2 W1000/D900	n x	
	82.0156.01	*	Korpusdeckel 2S H2 W500/D800	Cover for corpus 2S H2 W500/D800	q y	
	82.0156.03	*	Korpusdeckel 2S H2 W500/D900	Cover for corpus 2S H2 W500/D900	s l	
	82.0156.04	*	Korpusdeckel 2S H2 W800/D800	Cover for corpus 2S H2 W800/D800	r z	
	82.0156.09	*	Korpusdeckel 2S H2 W1000/D900	Cover for corpus 2S H2 W1000/D900	t 2	
5	1 110 1355	OS1733	Schale 1/1 GN H100	Container GN 1/1 H100	4Zone, H700/800	
	82.7333		Schale 1/3GN H100	Container GN 1/3 H100	2Zone, H700/800	
6	82.0220.01	*	Korpus komplett W500 1S H2 D800/900	Corpus complete W500 1S H2 D800/900	k m u w	
	82.0230.01	*	Korpus komplett W500 2S H2 D800	Corpus complete W500 2S H2 D800	q y	
	82.0230.03	*	Korpus komplett W500 2S H2 D900	Corpus complete W500 2S H2 D900	s l	
	82.2436.04	*	Korpus komplett W500 1S NHC D850	Corpus complete W500 1S NHC D850	o	
	82.0220.11	*	Korpus komplett W800 1S H2 D800	Corpus complete W800 1S H2 D800	l v	
	82.2436.09	*	Korpus komplett W800 1S NHC D850	Corpus complete W800 1S NHC D850	p	
	82.0230.21	*	Korpus komplett W800 2S H2 D800	Corpus complete W800 2S H2 D800	r z	
	82.0220.21	*	Korpus komplett W1000 1S H2 D900	Corpus complete W1000 1S H2 D900	n x	
	82.0230.43	*	Korpus komplett W1000 2S H2 D900	Corpus complete W1000 2S H2 D900	t 2	
7	1 701 1145	OG6758	Senkkopfschraube M4x6	Countersunk screw M4x6	H700/800	
8	82.0223.01	OG6757	Deckel Servicefenster	Cover plate	H700/800	
9	82.0113.02	*	Leitblech H700 rechts	Aeration sheet right H700	H700	
	82.0113.12	*	Leitblech H800 rechts	Aeration sheet right H800	H800	
10	82.0113.01	*	Leitblech H700 links	Aeration sheet left H700	H700	
	82.0113.11	*	Leitblech H800 links	Aeration sheet left H800	H800	
11	1 701 7002	OG2923	Fächerscheibe M5	Fan washer M5	H700/800	
12	1 701 2579	OG4020	Sechskantschraube M5x16	Hex bolt M5x16	H700/800	
13	82.7467	OC7307	Dichtung 5mm	Sealing sides 5mm	H700/800	51010000
14	82.7334	OG6396	Dichtung Geräte seitwärts (NM)	Side-sealing strip	H700/800	
15	82.1102.04	*	Rückwand 1S 500x700	Back panel 1S 500x700	2Zone/H700	
	82.1102.24	*	Rückwand 1S 500x800	Back panel 1S 500x800	2Zone/H800	
	82.1102.07	*	Rückwand 1S 800x700	Back panel 1S 800x700	l p r	
	82.1102.27	*	Rückwand 1S 800x800	Back panel 1S 800x800	v z	
	82.1102.09	*	Rückwand 1S 1000x700	Back panel 1S 1000x700	n t	
	82.1102.29	*	Rückwand 1S 1000x800	Back panel 1S 1000x800	x 2	
16	1 701 5051	OG6753	Fächerscheibe M6	Fan washer M6	H700/800	
17	1 701 2600	OKT919	Sechskantschraube M6x12	Hex bolt M6x12	H700/800	
18	86.0001	OG5391	Stellfuß 2" 145-252mm rund	Adjustable feet 2" 145-252mm, round	H700	
19	86.2385	OG6140	Stellfuß 2" 100mm	Adjustable feet 2" 100mm	H800	



7	Alias	Code	Bezeichnung	Description	Ref.	Valid from Serial N°
1	83.3741		Schiene-1000 15xØ8	Rolling rack-1000 15xØ8	4Zones Marine	
	83.3768		Schiene-500 15xØ8	Rolling rack-500 15xØ8	2Zones Marine	
2	83.3744		Schiene-1000 2xØ6	Rolling rack-1000 2xØ6	4Zones Marine	
	83.3767		Schiene-500 2xØ6	Rolling rack-500 2xØ6	2Zones Marine	
3	83.3743		Schiene-1000 2xØ17	Rolling rack-1000 2xØ17	4Zones Marine	
	83.3766		Schiene-500 2xØ17	Rolling rack-500 2xØ17	2Zones Marine	
4	83.3742		Schiene-1000 15xØ8 mittig	Rolling rack-1000 15xØ8 mittig	4Zones Marine	
5	705 040432		Abstandsbolzen 22x80/M8	Spacer bolt 22x80/M8	all types Marine	
6	82.7464	OC2496	Dichtband (klebend)	Sealing strip	all types Marine	
7	82.0705		Ablauf in Korpus	Drain in copus	H700 Marine	
8	712 044120.04	OG4918	Kep-Mutter M4	Keps nut M4	H700 Marine	
9	82.0704		Spritzschutzdeckel	Splash protection	H700 Marine	
10	82.0706		Stutzen zu Ablauf	Drain flange	H700 Marine	
11	1 701 1069		Flachkopfschraube M5x12	Flat head screw M5x12	H700 Marine	
12	82.0265.01		Halter GN-Schale links (Marine)	GN container suport left	H700 Marine	
13	82.0265.03		Halter GN-Schale rechts (Marine)	GN container suport right	H700 Marine	
14	1 701 115		Flachkopfschraube M5x45	Flat head screw M5x45	H700 Marine	
15	1 110 1355	OS1733	Schale 1/1 GN H100	Container GN 1/1 H100	4Zone/H700 Marine	
	82.7333		Schale 1/3GN H100	Container GN 1/3 H100	2Zone/H700 Marine	
16	83.3718.01	OG6890	Tablar 400 für H3 Korpus	Shelf for 400 H3 corpus	2Zone/H700 Marine	
	83.3718.03	OG6920	Tablar 900 für H3 Korpus	Shelf for 900 H3 corpus	4Zone/H700Marine	
17	82.3029		Halteblech	Metal support	all types Marine	
18	82.9209	006710	Autotransformer 0-240-400-440V - 150VA	Autotransformer 0-240-400-440V - 150VA	all types Marine	
19	1 701 3502	OG3595	Unterlegscheibe M4	Washer M4	all types Marine	
20	1 701 7060		Fächerscheibe M4	Fan washer M4	all types Marine	
21	1 701 2629	OG5854	Sechskantschraube M4x12	Hex bolt M4x12	all types Marine	
22	82.0113.02	*	Leitblech H700 rechts	Aeration sheet right H700	H700 Marine	
23	82.0113.01	*	Leitblech H700 links	Aeration sheet left H700	H700 Marine	
24	1 701 7002	OG2923	Fächerscheibe M5	Fan washer M5	H700 Marine	
25	1 701 2579	OG4020	Sechskantschraube M5x16	Hex bolt M5x16	H700 Marine	
26	82.7467	OC7307	Dichtung 5mm	Sealing sides 5mm	H700 Marine	
27	1 701 5051	OG6753	Fächerscheibe M6	Fan washer M6	H700 Marine	
28	1 701 2600	OKT919	Sechskantschraube M6x12	Hex bolt M6x12	H700 Marine	
29	83.3728	OG6886	Stellfuß 2" Marine 145-252mm	Adjustable feet 2" Marine 145-252mm	H700 Marine	
30	82.1020.05		Rückwand 500x700	Back panel 500x700	2Zones/H700 Marine	
	82.1020.10		Rückwand 1000x700	Back panel 1000x700	4Zones/H700 Marine	





10	Alias	Code	Bezeichnung	Description	Ref.	Valid from Serial N°
1	82.3030.02		Klemmenträger	Terminal support	all types	
2	75.2011.03	OKX291	Schutzleiterklemme 16mm ²	Ground conductor terminal 16mm ²	all types	
3	75.2010.40	OKI280	Reihenklemme 16mm ² grau	Terminal block 16mm ² grey	all types/not in Marine	
4	75.2010.41	OG3488	Nullleiterklemme 16mm ² blau	Neutral wire terminal 16mm ² blue	all types	
5	75.2012.01	OK5155	Sicherungsklemme	Fuse holder terminal	all types	
6	75.2012.02	OT2599	Abschlusswand	Cover for fuse holder terminal	all types	
7	712 344362.01	OG5814	Sicherung 5x20 1 00A	Fuse 5x20 1 00AF	all types	
8	75.2013	OKX290	Arretierstück	Fixation	all types	
9	75.2010.44	OKT731	Querverbinder	Cross connection	all types	
10	82.9103	OG6424	Kabel Haupterd draht L400 6mm ²	Main earthing cable L400 6mm ²	all types	
	62.1504.03	OG5977	Verdrahtung 2.5mmx800	Wiring 2.5mmx800	all types	
11	82.2809	OC0068	PG21 Kabelverschraubung	Cable gland PG21	all types	
12	82.9226	???	PG21 Sicherungsmutter	Lock nut PG21	all types	

