

DE INDUKTIONSSHERDE
EN INDUCTION COOKER

INDUCTION COOKER

PNC	Factory Model	Ref.	Description
588019	MAIBAADOAO	a	INDUCTION TOP, 2 ZONES, 1-SIDE, 400X800X250H
588020	MAIBABDOAO	a	INDUCTION TOP, 2 ZONES, 1-SIDE, C-BOARD, 400X800X250H
588021	MAIBACDOAO	b	INDUCTION TOP, 2 ZONES, 2-SIDES, 400X800X250H
588022	MAIDAAHOAO	c	INDUCTION TOP, 4 ZONES, 1-SIDE, 800X800X250H
588023	MAIDABHOAO	c	INDUCTION TOP, 4 ZONES, 1-SIDE, C-BOARD, 800X800X250H
588024	MAIDACHOAO	d	INDUCTION TOP, 4 ZONES, 2-SIDES, 800X800X250H
588508	MBIBBDOAO	e	INDUCTION TOP, 2 ZONES, 1-SIDE, C-BOARD, 400X850X250H
588509	MBIDBBHOAO	f	INDUCTION TOP, 4 ZONES, 1-SIDE, C-BOARD, 800X850X250H
589025	MCIBAAEOAO	g	INDUCTION TOP, 2 ZONES, 1-SIDE, 500X900X250H
589026	MCIBABEOAO	g	INDUCTION TOP, 2 ZONES, 1-SIDE, C-BOARD, 500X900X250H
589027	MCIBACEOAO	h	INDUCTION TOP, 2 ZONES, 2-SIDES, 500X900X250H
589028	MCIDAAJOAO	i	INDUCTION TOP, 4 ZONES, 1-SIDE, 1000X900X250H
589029	MCIDABJOAO	i	INDUCTION TOP, 4 ZONES, 1-SIDE, C-BOARD, 1000X900X250H
589030	MCIDACJOAO	j	INDUCTION TOP, 4 ZONES, 2-SIDES, 1000X900X250H

INDUCTION WOK, INDUCTION WOK & PLATE

PNC	Factory Model	Ref.	Description
588025	MAIHAAEOAO	k	INDUCTION WOK, 1 ZONE, 1-SIDE, 500X800X250H
588026	MAIHABEOAO	k	INDUCTION WOK, 1 ZONE, 1-SIDE, C-BOARD, 500X800X250H
588511	MBIHBBEOAO	l	INDUCTION WOK, 1 ZONE, 1-SIDE, C-BOARD, 500X850X250H
588512	MBIJBBEOAO	m	INDUCTION WOK & PLATE, 2 ZONES, 1-SIDE, C-BOARD, 500X850X250H
589034	MCIHAAEOAO	n	INDUCTION WOK, 1 ZONE, 1-SIDE, 500X900X250H
589035	MCIHABEOAO	n	INDUCTION WOK, 1 ZONE, 1-SIDE, C-BOARD, 500X900X250H
589038	MCIJAAEOAO	o	INDUCTION WOK & PLATE, 2 ZONES, 1-SIDE, 500X900X250H
589040	MCIJABEOAO	o	INDUCTION WOK & PLATE, 2 ZONES, 1-SIDE, C-BOARD, 500X900X250H
589042	MCIKACEOAO	p	INDUCTION PLATE & WOK, 2 ZONES, 2-SIDES, 500X900X250H

Valid from Ser. № 3101....

INDUCTION ON WARMING CABINET

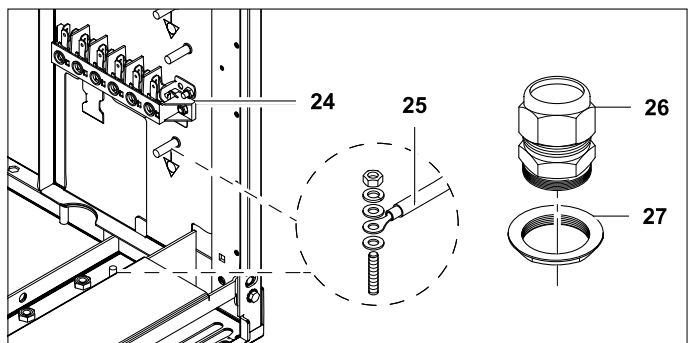
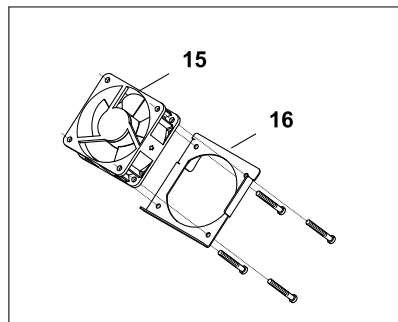
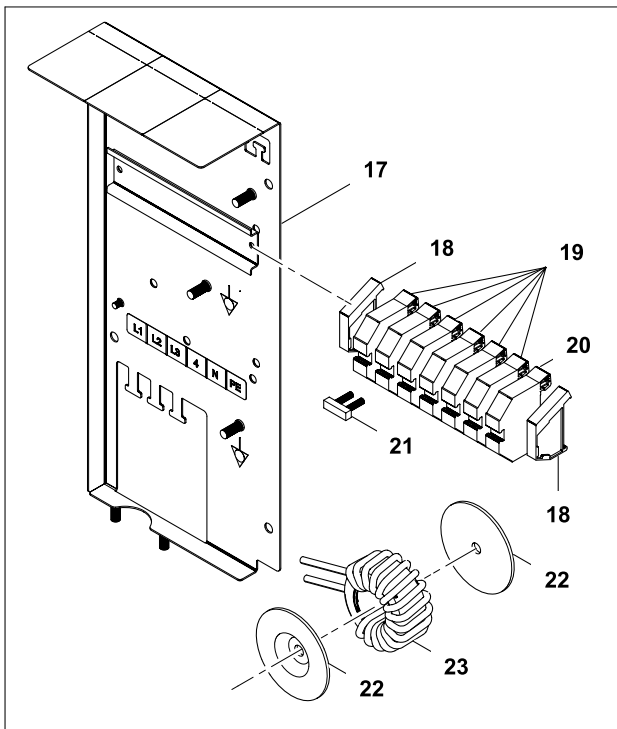
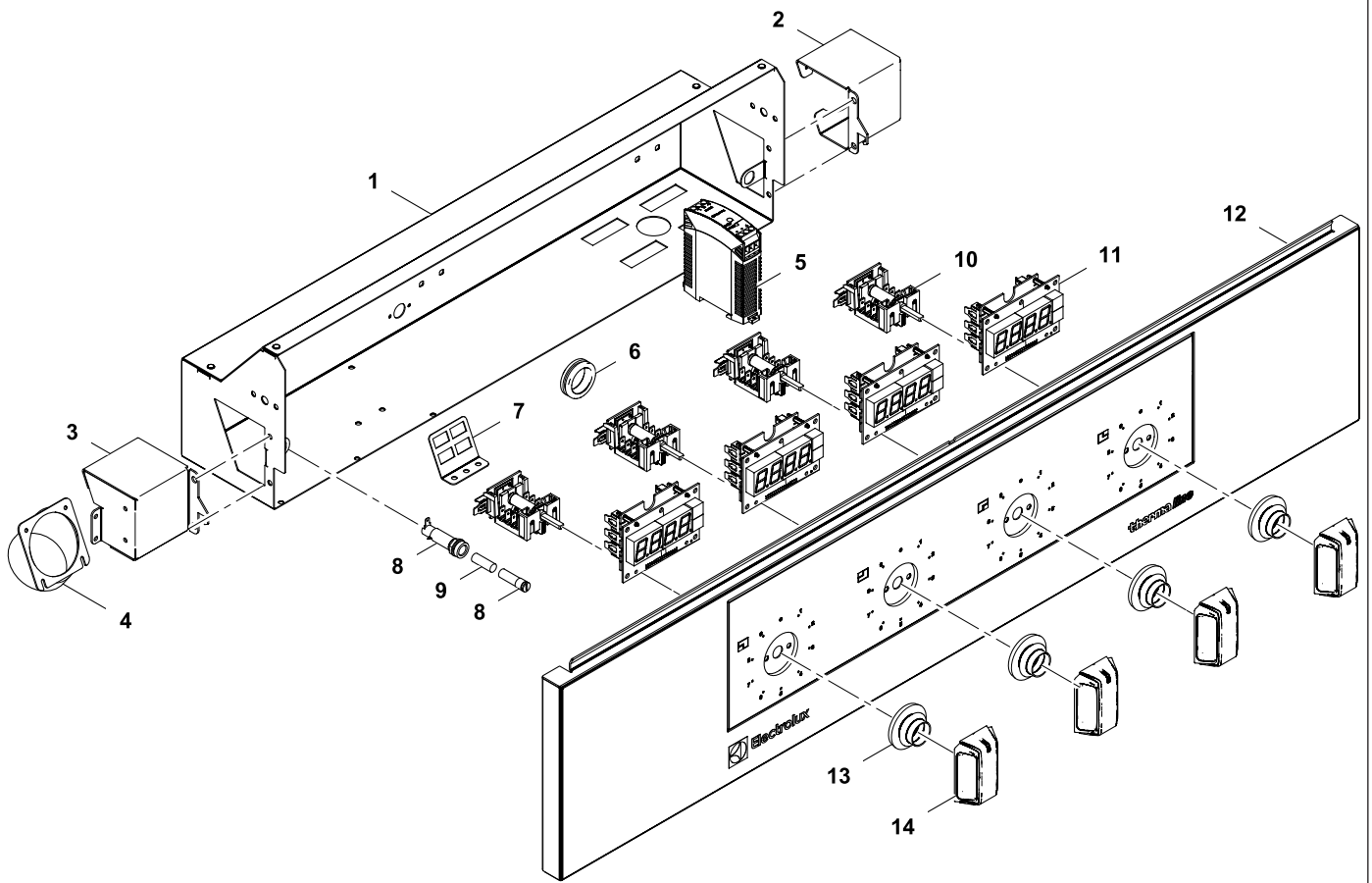
PNC	Factory Model	Ref.	Description
588433	MAIQEAH4AO	q	INDUCTION ON WARMING CABINET H2, 1-SIDE, 800X800X700H
588434	MAIQEBH4AO	q	INDUCTION ON WARMING CABINET H2, 1-SIDE, C-BOARD, 800X800X700H
588435	MAIRECH4AO	r	INDUCTION ON WARMING CABINET PASSTHROUGH H2, 2-SIDES, 800X800X700H
588436	MAIQFAH4AO	s	INDUCTION ON WARMING CABINET H2, 1-SIDE, 800X800X800H
588437	MAIQFBH4AO	s	INDUCTION ON WARMING CABINET H2, 1-SIDE, C-BOARD, 800X800X800H
588438	MAIRFCH4AO	t	INDUCTION ON WARMING CABINET PASSTHROUGH H2, 2-SIDES, 800X800X800H
588698	MBIIGBH4AO	u	INDUCTION ON WARMING CABINET NHC, 1-SIDE, C-BOARD, 800X850X700H
588703	MBIQGBH4AO	u	INDUCTION ON WARMING CABINET H2, 1-SIDE, C-BOARD, 800X850X700H
589671	MCIQEAJ4AO	v	INDUCTION ON WARMING CABINET H2, 1-SIDE, 1000X900X700H
589672	MCIQEBJ4AO	v	INDUCTION ON WARMING CABINET H2, 1-SIDE, C-BOARD, 1000X900X700H
589673	MCIRECJ4AO	w	INDUCTION ON WARMING CABINET PASSTHROUGH H2, 2-SIDES, 1000X900X700H
589674	MCIQFAJ4AO	x	INDUCTION ON WARMING CABINET H2, 1-SIDE, 1000X900X800H
589675	MCIQFBJ4AO	x	INDUCTION ON WARMING CABINET H2, 1-SIDE, C-BOARD, 1000X900X800H
589676	MCIRFCJ4AO	y	INDUCTION ON WARMING CABINET PASSTHROUGH H2, 2-SIDES, 1000X900X800H

INDUCTION ON OVEN

PNC	Factory Model	Ref.	Description
588427	MAIMEAH8AO	z	INDUCTION ON OVEN, 1-SIDE, 800X800X700H
588428	MAIMEBH8AO	z	INDUCTION ON OVEN, 1-SIDE, C-BOARD, 800X800X700H
588429	MAINECH8AO	1	INDUCTION ON OVEN PASSTHROUGH, 2-SIDES, 800X800X700H
588430	MAIMFAH8AO	2	INDUCTION ON OVEN, 1-SIDE, 800X800X800H
588431	MAIMFBH8AO	2	INDUCTION ON OVEN, 1-SIDE, C-BOARD, 800X800X800H
588432	MAINFCH8AO	3	INDUCTION ON OVEN PASSTHROUGH, 2-SIDES, 800X800X800H
588697	MBIMGBH8AO	4	INDUCTION ON OVEN, 1-SIDE, C-BOARD, 800X850X700H
589665	MCIMEAJ8AO	5	INDUCTION ON OVEN, 1-SIDE, 1000X900X700H
589666	MCIMEBJ8AO	5	INDUCTION ON OVEN, 1-SIDE, C-BOARD, 1000X900X700H
589667	MCINECJ8AO	6	INDUCTION ON OVEN PASSTHROUGH, 2-SIDES, 1000X900X700H
589668	MCIMFAJ8AO	7	INDUCTION ON OVEN, 1-SIDE, 1000X900X800H
589669	MCIMFBJ8AO	7	INDUCTION ON OVEN, 1-SIDE, C-BOARD, 1000X900X800H
589670	MCINF CJ8AO	8	INDUCTION ON OVEN PASSTHROUGH, 2-SIDES, 1000X900X800H

Valid from Ser. № 3101....

Page	Index	Last Updates	Page
2	Electronical parts induction tops (FME)	Ed. 01/2015	all
4	Electronical parts induction wok & plate (FME)		
8	Electronical parts induction oven & warming cabinet units (FME)		
10	Mechanical parts induction tops (FMM)		
12	Mechanical parts induction wok & plate (FMM)		
14	Aeration kit (FML)		
16	Base oven & warming cabinet units		
18	Warming cabinet		
20	Control panel warming cabinet		
21	Control panel oven		
22	Oven		

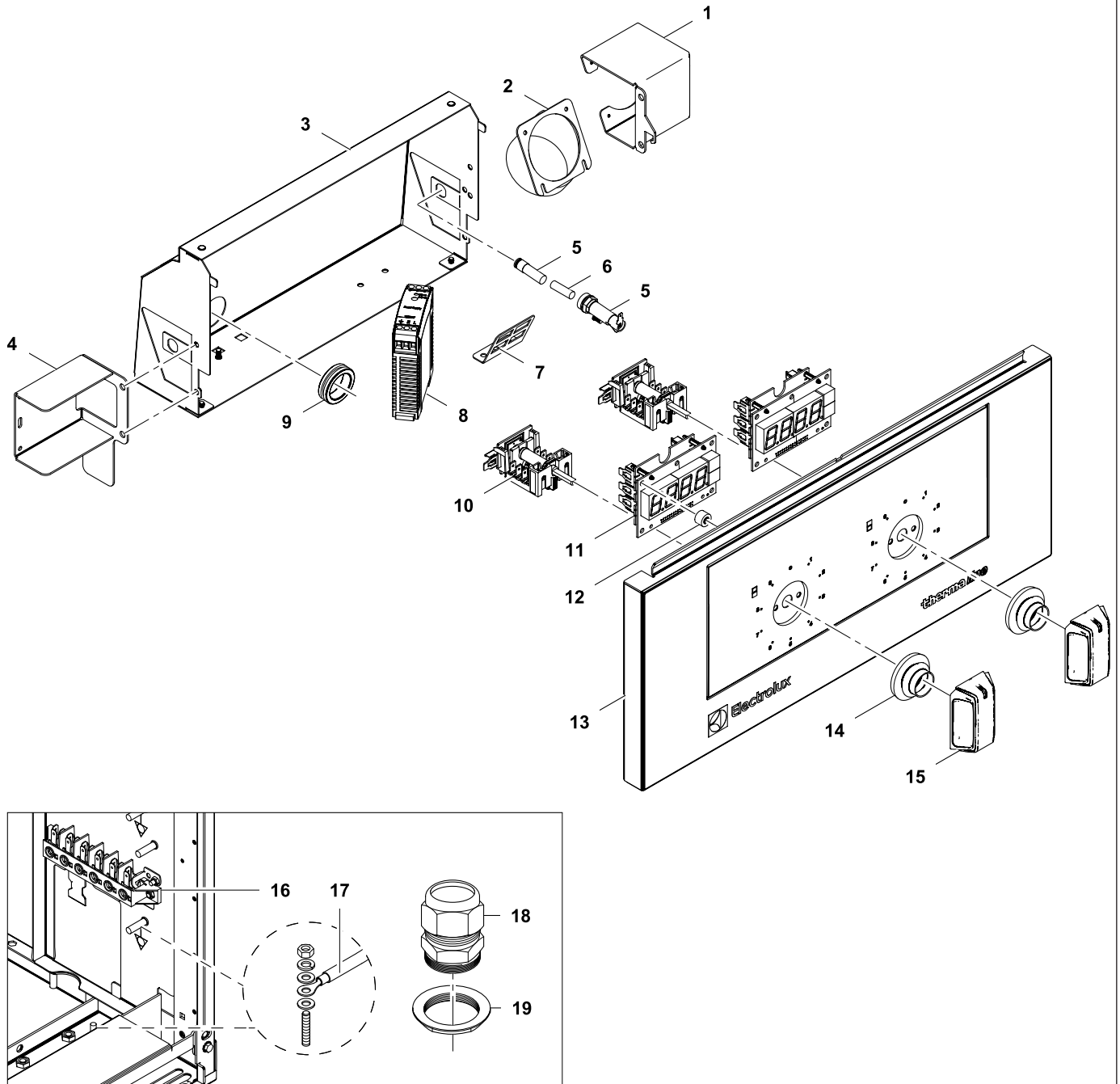


1	Alias	Code	Bezeichnung	Description	Ref.	Valid from Serial N°
1	82.3012	*	Elektrobox 400+	Electric compartment 400+	a b e g h	
	82.3024	*	Elektrobox 800	Electric compartment 800	c d f	
	82.2770	*	Elektrobox 1000	Electric compartment 1000	i j	
2	82.9002	*	Standard Ventilationsbox rechts	Ventilation box right	g h d j	
3	82.3001	*	Standard Ventilationsbox links	Ventilation box left	g h c d f i j	
4	82.6532	*	Rohrstutzen 30°	Pipe socket 30°	g h c d f i j	
5	82.9030	OG6075	DC Power Supply 12VDC	DC Power Supply 12VDC	D800/900	
6	712 044961.17	OKT854	Kabeltülle Ø25/Ø31/Ø35x10	Cable sleeve Ø25/Ø31/Ø35x10	all types	
7	82.2720	*	Halter Kommunikationsanschluss	Connectors holder	all types	
8	82.7093	056582	Sicherungshalter	Fuse holder	a g c d g h i j	
9	712 344362.01	OG5814	Sicherung 5x20 1A	Fuse 5x20 1A	a g c d g h i j	
10	82.9020	OG6314	Schalter Off-9 Stufen + 2x10K Potentiometer	Switch off-9 levels + 2x10K potentiometer	D900	
	82.9013	OG6242	Schalter Off-9 Stufen + 10K Potentiom. 1,5%	Switch off-9 levels + 10K potentiom. 1,5%	D850	
11	82.9115.01	OG6302	Eurotas Display Induktion	Eurotas Display Induction	D900	
	82.7416	OG6324	Anzeigelampe	Indicator light	D850	
	72.5938.08	OKI364	Einsteckfassung, grün, Ø10mm	Lamp holder, green, Ø10mm	D850	
12	*	*	Bedienblende	Control panel	-----	
13	82.7009	OG6247	Dichtung Drehgriff	Sealing for handle	all types	
14	82.9124.01	OG6369	Drehgriff mit Adapter 0°x6.0	Handle with adapter 0°x6.0	all types	
15	82.7159	OG6274	Ventilator 60x60x25 622HH (3.5W)	Cooling fan 60x60x25 622HH (3.5W)	W=400	
	82.7537		Ventilator 60x60x25 PWM	Cooling fan 60x60x25 PWM	W=400	5361...
16	82.3009	*	Halblech Ventilator	Cooling fan support	W=400	
17	82.3051	*	Main Terminal	Main Terminal	all 4-Zone	
18	75.2013	OKX290	Arretierstück	Fixation	all 4-Zone	
19	75.2010.40	OKI280	Reihenklemme beige 16mm ²	Terminal block 16mm ²	all 4-Zone	
20	75.2010.41	OG3488	Reihenklemme blau 16mm ²	Terminal block 16mm ²	all 4-Zone	
21	75.2010.44	OKT731	Querverbinder	Cross connection	all 4-Zone	
22	82.9194		Befestigungsscheibe	Mounting disk	all types	
23	82.9172		Ringkerndrossel	Toroidal choke	all types	
24	82.9065	OG6668	Klemme FV122 V/V	Terminal FV122 V/V	all 2-Zone	
	82.9101	OG7023	Kabel: Klemme FV122 V/V Erdungsbolzen	Cable: terminal FV122 V/V ground bolt	all 2-Zone	
25	82.9103	OG6424	Kabel: Haupterd draht L400 6mm ²	Cable: Main earthing L400 6mm ²	all types	
	82.2908	OC0068	Kabelverschraubung PG21	Cable gland PG21	all types	
	82.9226	OG7024	Gegenmutter Kabelverschraubung PG21	Lock nut PG21	all types	
	82.9002	OG6897	Kabel: Display - Display	Cable: Display - Display	D800/900	
	82.9003	OG6899	Kabel: Potentiometer - Display L200	Cable: Potentiometer - Display L200	D800/900	
	82.9011		Kabel: Trafo - Display - Ventilator	Cable: Trafo - Display - Ventilator	D800/900	
	82.9241		Kabel: Display - Ventilator	Cable: Display - Ventilator	D800/900	5361...
	82.9110	OG7172	Kabel: Trafo - Display L450	Cable: Transformer - Display L450	D800/900	
	82.9116		Kabel: Trafo T1 - Trafo T2	Cable: Trafo T1 - Trafo T2	all 2-Sides	
	82.9022.01	OG7036	Kabel: Schalter S1 - Schalter S2 kurz	Cable: Switch S1 - Switch S2 short	D800/900	
	82.9022.02		Kabel: Schalter S2 - Schalter S3 kurz	Cable: Switch S2 - Switch S3 short	c i	
	82.9022.03	OG7195	Kabel: Schalter S2/3 - Schalter S4 kurz	Cable: Switch S2/3 - Switch S4 short	c d i j	
	82.9022.04		Kabel: Schalter S1 - Schalter S2 lang	Cable: Switch S1 - Switch S2 long	d h	
	82.9022.05		Kabel: Schalter S2 - Schalter S3 lang	Cable: Switch S2 - Switch S3 long	d j	
	82.9142.02		Kabel: 2x Potentiometer - Generator 1 + 2	Cable: 2x Potentiometer - Generator 1 + 2	all types	
	82.9142.03		Kabel: 2x Potentiometer - Generator 3 + 4	Cable: 2x Potentiometer - Generator 3 + 4	all 4-Zone	
	82.9143.02		Kabel: 2x Anzeigelampe - Generator 1 + 2	Cable: 2x Indicator - Generator 1 + 2	D850	
	82.9143.03		Kabel: 2x Anzeigelampe - Generator 3 + 4	Cable: 2x Indicator - Generator 3 + 4	D850/ 4-Zone	
	82.9162		Kabel: Generator - Communication Fouc.	Cable: Generator - Communication Fouc.	all types	
	82.9059.01		Kabel: X0 - FI - Schalter - Trafo 1	Cable: X0 - FI - Switch - Transformer 1	D800/900	
	82.9144.01		Kabel: X0 - Generator 5+6 Ind. Foucault	Cable: X0 - Generator 5+6 Ind. Foucault	all types	
	82.9144.02		Kabel: X0 - Generator 7+8 Ind. Foucault	Cable: X0 - Generator 7+8 Ind. Foucault	all 4-Zone	

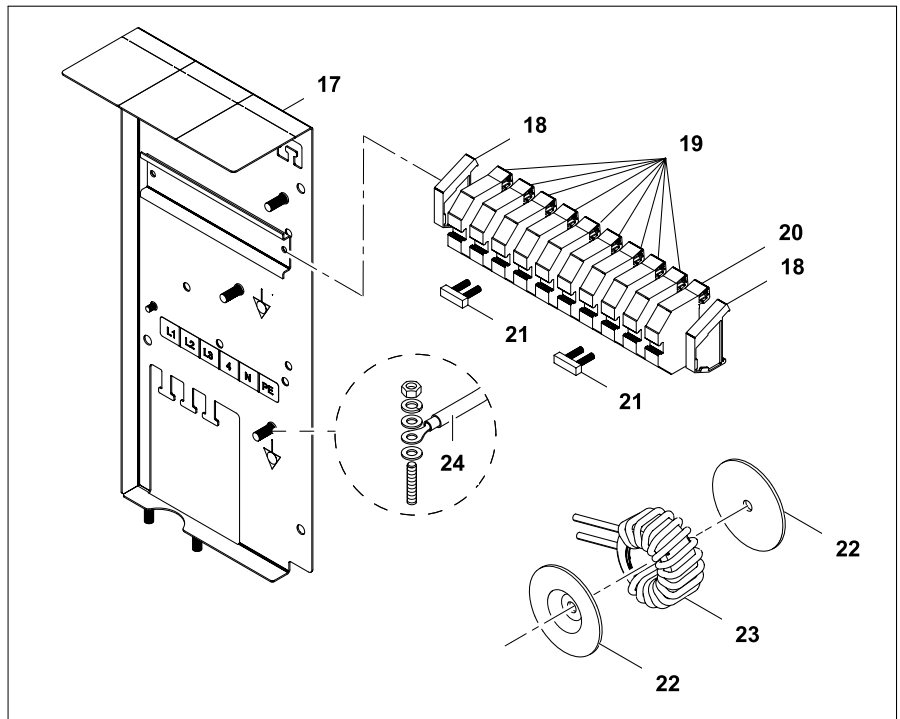
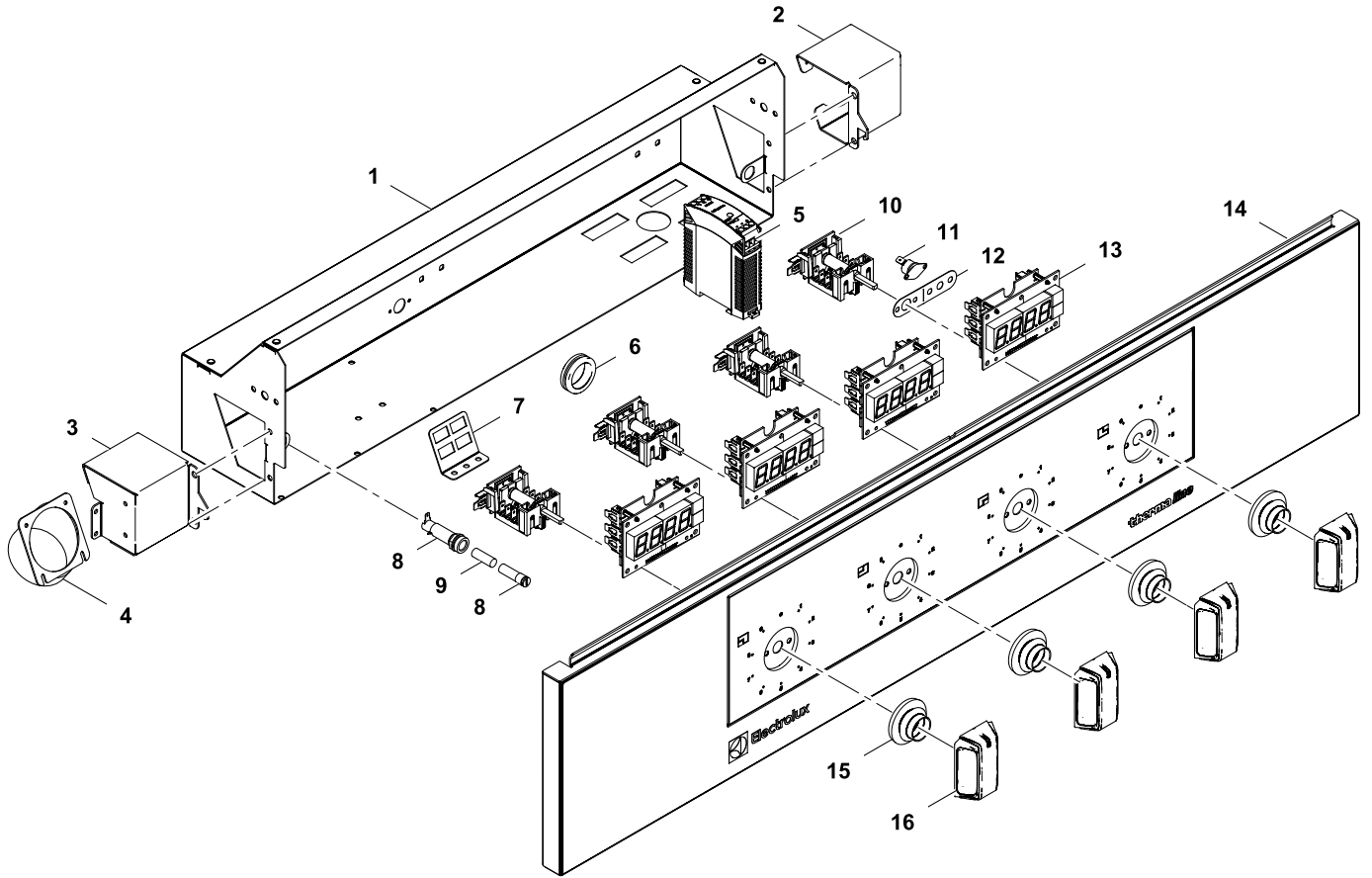
* Components on demand
* Teile auf Anfrage

Doc. N° 87.8080.03

Page: 5

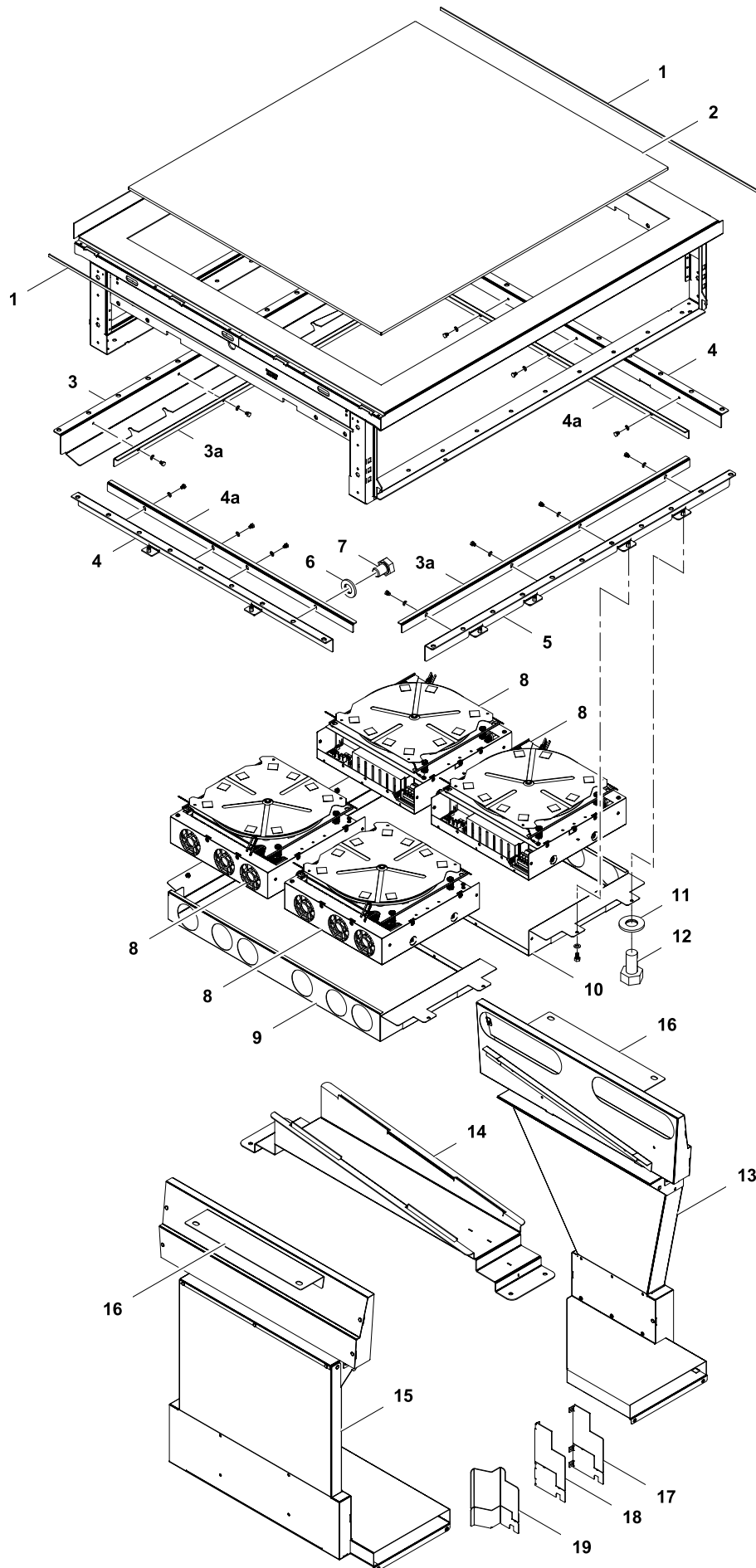


2	Alias	Code	Bezeichnung	Description	Ref.	Valid from Serial N°
1	82.3001	*	Standard Ventilationsbox links	Ventilation box left	2-Sides	
	82.9002	*	Standard Ventilationsbox rechts	Ventilation box right	all types	
2	82.6532	*	Rohrstutzen 30°	Pipe socket 30°	all types	
3	82.3012	*	Elektrobox 400+	Electric compartment 400+	all types	
4	82.3008.015	*	Halterung Box L50	Support L50	all types	
	82.3008.15	*	Halterung Box gegengleich L50	Support mirrored L50	2-Sides	
5	82.7093	056582	Sicherungshalter	Fuse holder	all types	
6	712 344362.01	0G5814	Sicherung 5x20 1A	Fuse 5x20 1A	all types	
7	82.2720	*	Halter Kommunikationsanschluss	Connectors holder	all types	
8	82.9030	0G6075	DC Power Supply 12VDC	DC Power Supply 12VDC	D800/900	
9	712 044961.17	OKT854	Kabeltülle Ø25/Ø31/Ø35x10	Cable sleeve Ø25/Ø31/Ø35x10	all types	
10	82.9020	0G6314	Schalter Off-9 Stufen + 2x10K Potentiometer	Switch off-9 levels + 2x10K potentiometer	D900	
	82.9013	0G6242	Schalter Off-9 Stufen + 10K Potentiom. 1,5%	Switch off-9 levels + 10K potentiom. 1,5%	D850	
11	82.9115.01	0G6302	Eurotas Display Induktion	Eurotas Display Induction	D900	
	82.7416	0G6324	Anzeigelampe	Indicator light	D850	
	72.5938.08	OKI364	Einsteckfassung, grün, Ø10mm	Lamp holder, green, Ø10mm	D850	
12	76.3011.01	0G3093	Distanzhalter 8mm	Spacer 8mm	all types	
13	82.1027.22	*	Bedienblende 500 1Zone	Control panel 500 1 Zone	1Zone D800/900	
	82.1027.21	*	Bedienblende 500 2Zonen	Control panel 500 2 Zones	2Zone D800/900	
	82.1049.20	*	Bedienblende INOX 500 1Zone	Control panel INOX 500 1 Zone	1Zone D850	
	82.1049.21	*	Bedienblende INOX 500 2Zonen	Control panel INOX 500 2 Zones	2Zone D850	
	82.1000.02	*	Blende Top 500	Back panel 500	1-Side D800/900	
14	82.7009	0G6247	Dichtung Drehgriff	Sealing for handle	all types	
15	82.9124.01	0G6369	Drehgriff mit Adapter 0°x6.0	Handle with adapter 0°x6.0	all types	
16	82.9065	0G6668	Klemme FV122 V/V	Terminal FV122 V/V	all types	
	82.9101	0G7023	Kabel: Klemme FV122 V/V Erdungsbolzen	Cable: terminal FV122 V/V ground bolt	all types	
17	82.9103	0G6424	Kabel: Haupterdraht L400 6mm²	Cable: Main earthing L400 6mm²	all types	
18	82.2908	0C0068	Kabelverschraubung PG21	Cable gland PG21	all types	
19	82.9226	0G7024	Gegenmutter Kabelverschraubung PG21	Lock nut PG21	all types	
	82.9002	0G6897	Kabel: Display - Display	Cable: Display - Display	2Zone D800/900	
	82.9003	0G6899	Kabel: Potentiometer - Display L200	Cable: Potentiometer - Display L200	D800/900	
	82.9011		Kabel: Trafo - Display - Ventilator	Cable: Trafo - Display - Ventilator	1Zone D800/900	
	82.9241		Kabel: Display - Ventilator	Cable: Display - Ventilator	1Zone D800/900	5361...
	82.9110	0G7172	Kabel: Trafo - Display L450	Cable: Transformer - Display L450	2Zone D800/900	
	82.9121		Kabel: Generator - Ventilator	Cable: Generator - Ventilator	2Zone D800/900	
	82.9022.01	0G7036	Kabel: Schalter S1 - Schalter S2 kurz	Cable: Switch S1 - Switch S2 short	2Zone D800/900	
	82.9067.01		Kabel: 1x Potentiometer - Generator	Cable: 1x Potentiometer - Generator	1-Zone	
	82.9067.02		Kabel: 2x Potentiometer - Generator 1+2	Cable: 2x Potentiometer - Generator 1+2	2-Zone	
	82.9066.01		Kabel: 1x Anzeigelampe - Generator	Cable: 1x Indicator - Generator	1-Zone	
	82.9066.02		Kabel: 2x Anzeigelampe - Generator 1+2	Cable: 2x Indicator - Generator 1+2	2-Zone	
	82.9059.01		Kabel: X0 - FI - Schalter - Trafo 1	Cable: X0 - FI - Switch - Transformer 1	D800/900	
	82.9063.01		Kabel: X0 - Generator 5+6	Cable: X0 - Generator 5+6	all types	



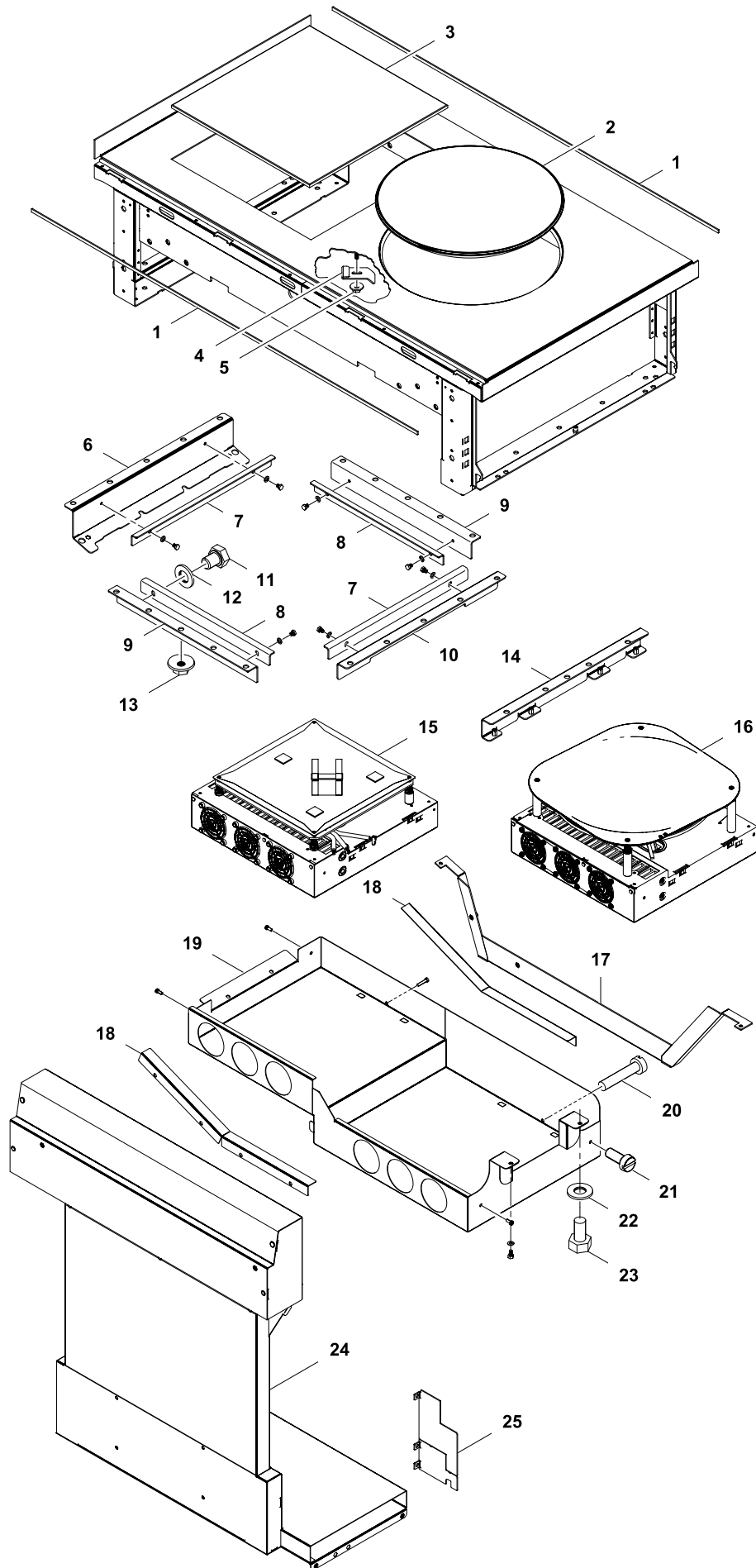
3	Alias	Code	Bezeichnung	Description	Ref.	Valid from Serial N°
1	82.3024	*	Elektrobox 800	Electric compartment 800	D800/850	
	82.2770	*	Elektrobox 1000	Electric compartment 1000	D900	
2	82.9002	*	Standard Ventilationsbox rechts	Ventilation box right	all types	
3	82.3001	*	Standard Ventilationsbox links	Ventilation box left	all types	
	82.2717.02	*	Ventilationsbox Induktion left	Ventilation box induction left		
4	83.2021	*	Rohrstutzen Ø 60,3	Pipe socket Ø 60,3	2-sides	
	82.2772	*	Rohrstutzen Ø 50	Rohrstutzen Ø 50	all types	
	82.2721	*	Reduzierstück Ø 60,3 Ø 42,2	Reduction piece Ø 60,3 Ø 42,2	all types	
5	82.9030	OG6075	DC Power Supply 12VDC	DC Power Supply 12VDC	D800/900	
6	712 044961.17	OKT854	Kabeltülle Ø25/Ø31/Ø35x10	Cable sleeve Ø25/Ø31/Ø35x10	all types	
7	82.2720	*	Halter Kommunikationsanschluss	Connectors holder	all types	
8	82.7093	056582	Sicherungshalter	Fuse holder	all types	
9	712 344362.01	OG5814	Sicherung 5x20 1A	Fuse 5x20 1A	all types	
10	82.9020	OG6314	Schalter Off-9 Stufen + 2x10K Potentiometer	Switch off-9 levels + 2x10K potentiometer	D800/900	
	82.9013	OG6242	Schalter Off-9 Stufen + 10K Potentiom. 1,5%	Switch off-9 levels + 10K potentiom. 1,5%	D850	
11	82.9062	OG6231	Temperatur-Thermostat 50° (KLICKSON)	Temperature thermostat 50° (KLICKSON)	D800/900 Oven	
12	82.2682	OG7282	Blech KLICKSON	KLICKSON support	D800/900 Oven	
13	82.9115.01	OG6302	Eurotas Display Induktion	Eurotas Display Induction	D800/900	
	82.7416	OG6324	Anzeigelampe	Indicator light	D850	
	72.5938.08	OKI364	Einsteckfassung, grün, Ø10mm	Lamp holder, green, Ø10mm	D850	
14	*	*	Bedienblende	Control panel	all types	
15	82.7009	OG6247	Dichtung Drehgriff	Sealing for handle	all types	
16	82.9124.01	OG6369	Drehgriff mit Adapter 0°x6.0	Handle with adapter 0°x6.0	all types	
17	82.3051	*	Main Terminal	Main Terminal	all types	
18	75.2013	OKX290	Arretierstück	Fixation	all types	
19	75.2010.40	OKI280	Reihen клемme beige 16mm2	Terminal block 16mm ²	all types	
20	75.2010.41	OG3488	Reihen клемme blau 16mm2	Terminal block 16mm ²	all types	
21	75.2010.44	OKT731	Querverbinder	Cross connection	all types	
22	82.9194		Befestigungsscheibe	Mounting disk	all types	
23	82.9172		Ringkern drossel	Toroidal choke	all types	
24	82.9103	OG6424	Kabel: Haupterd draht L400 6mm ²	Cable: Main earthing L400 6mm ²	all types	
	82.9002	OG6897	Kabel: Display - Display	Cable: Display - Display	D800/900	
	82.9003	OG6899	Kabel: Potentiometer - Display L200	Cable: Potentiometer - Display L200	D800/900	
	82.9241		Kabel: Display - Ventilator	Cable: Display - Ventilator	D800/900	5361...
	82.9110	OG7172	Kabel: Trafo - Display L450	Cable: Transformer - Display L450	D800/900	
	82.9116		Kabel: Trafo T1 - Trafo T2	Cable: Trafo T1 - Trafo T2	2-Sides	
	82.9022.01	OG7036	Kabel: Schalter S1 - Schalter S2 kurz	Cable: Switch S1 - Switch S2 short	all types	
	82.9022.02		Kabel: Schalter S2 - Schalter S3 kurz	Cable: Switch S2 - Switch S3 short	1-Sides	
	82.9022.03	OG7195	Kabel: Schalter S2/3 - Schalter S4 kurz	Cable: Switch S2/3 - Switch S4 short	all types	
	82.9022.05		Kabel: Schalter S2 - Schalter S3 lang	Cable: Switch S2 - Switch S3 long	2-Sides	
	82.9142.02		Kabel: 2x Potentiometer - Generator 1 + 2	Cable: 2x Potentiometer - Generator 1 + 2	all types	
	82.9142.03		Kabel: 2x Potentiometer - Generator 3 + 4	Cable: 2x Potentiometer - Generator 3 + 4	all types	
	82.9143.02		Kabel: 2x Anzeigelampe - Generator 1 + 2	Cable: 2x Indicator - Generator 1 + 2	D850	
	82.9143.03		Kabel: 2x Anzeigelampe - Generator 3 + 4	Cable: 2x Indicator - Generator 3 + 4	D850	
	82.9162		Kabel: Generator - Communication Fouc.	Cable: Generator - Communication Fouc.	all types	
	82.9059.01		Kabel: X0 - F1 - Schalter - Trafo 1	Cable: X0 - F1 - Switch - Transformer 1	all types	
	82.9144.01		Kabel: X0 - Generator 5+6 Ind. Foucault	Cable: X0 - Generator 5+6 Ind. Foucault	all types	
	82.9144.02		Kabel: X0 - Generator 7+8 Ind. Foucault	Cable: X0 - Generator 7+8 Ind. Foucault	all types	

* Components on demand
* Teile auf Anfrage

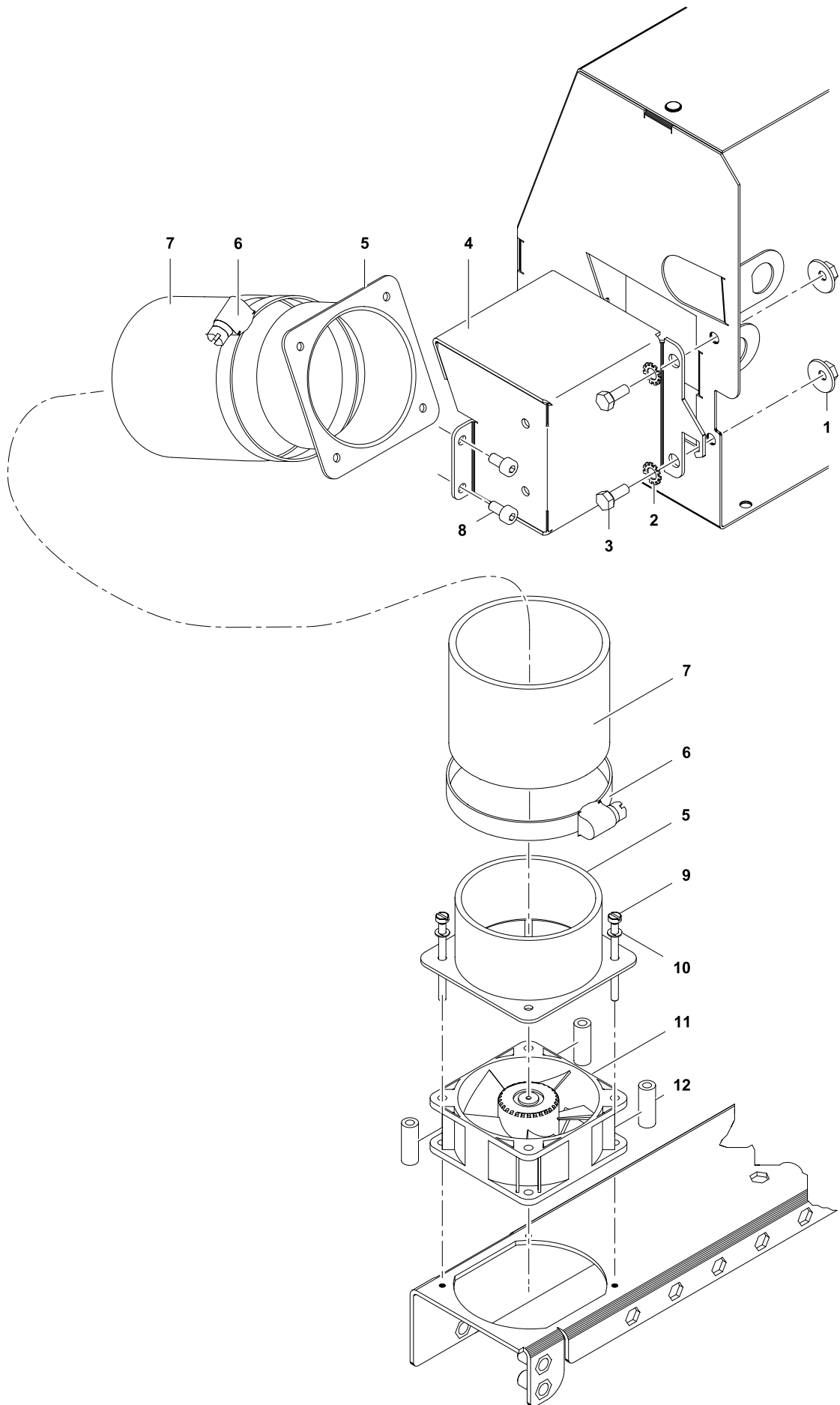


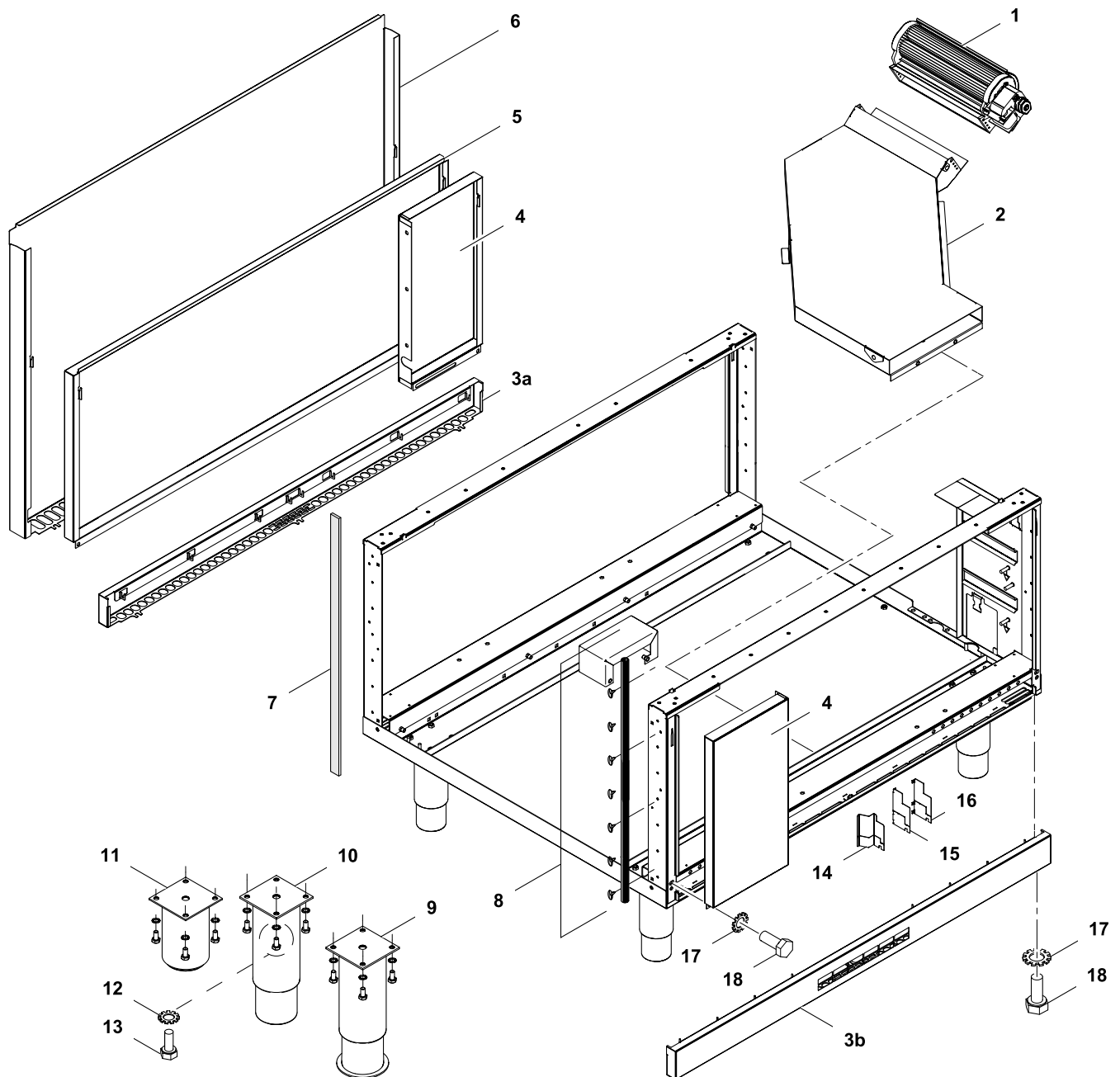
4	Alias	Code	Bezeichnung	Description	Ref.	Valid from Serial N°
1	82.7464	OC2496	Dichtband	Sealing strip	all types	
2	82.7070	OG6335	Glaskeramikplatte 840x740	Ceramic glass plate 840x740	4-Zone D900	
	82.7489	OG6824	Glaskeramikplatte 660x660	Ceramic glass plate 660x660	4-Zone D800/850	
	82.7490	OG6825	Glaskeramikplatte 320x660	Ceramic glass plate 320x660	2-Zone D800/850	
	82.7068	OG6333	Glaskeramikplatte 340x740	Ceramic glass plate 340x740	2-Zone D900	
	1 201 1444	OK5103	Silikonplättchen	Silicon plate	all types	
	1 201 1792	OK3948	Novasil Kleber	Glue Novasil	all types	
3	82.0712.XX	*	Auflage hinten FMM	Support backside FMM	-----	
3a	82.0715.XX	*	Querträger verstellbar	Cross beam	-----	
4	82.0713.XX	*	Befestigung seitlich	Support sides	-----	
4a	82.0714.XX	*	Längsträger verstellbar	Longitudinal beam	-----	
5	82.0711.XX	*	Aufhängung vorn FMM	Support frontside FMM	-----	
6	1 701 3535	OG3588	Unterlegscheibe M5	Washer M5	all types	
7	1 701 2623	OTI776	Sechskantschraube M5x6	Hex bolt M5x6	all types	
8	82.7452	OCA027	Kit Foucault 5kW 400V	Kit Foucault 5kW 400V	all types	4351....
	82.7079.01	OC8305	Kit Atics 5KW 400V	Kit Atics 5KW 400V	all types	
9	82.0208.01	*	Support Foucault links	Support Foucault left	D800/850	4351....
	82.0208.03	*	Support Foucault links	Support Foucault left	D900	4351....
	82.2041.01	*	Support Atics links	Support Atics left	D800/850	
	82.2041.03	*	Support Atics links	Support Atics left	D900	
10	82.0208.02	*	Support Foucault rechts	Support Foucault right	D800/850	4351....
	82.0208.04	*	Support Foucault rechts	Support Foucault right	D900	4351....
	82.2041.02	*	Support Atics rechts	Support Atics right	D800/850	
	82.2041.04	*	Support Atics rechts	Support Atics right	D900	
11	1 701 3502	OG3595	Unterlegscheibe $\varnothing 4,3 \times \varnothing 9 \times 0,8$	Washer $\varnothing 4,3 \times \varnothing 9 \times 0,8$	all types	
12	1 701 2503	OG5490	Sechskantschraube M4x8	Hex bolt M4x8	all types	
13	82.2716.01	*	Luftkanal Foucault rechts 800x800	Air channel Foucault right 800x800	4-Zone D800	4351....
	82.2716.02	*	Luftkanal Foucault rechts 800x850	Air channel Foucault right 800x850	4-Zone D850	4351....
	82.2716.03	*	Luftkanal Foucault rechts 1000x900	Air channel Foucault right 1000x900	4-Zone D900	4351....
14	82.2033.01	*	Mittelsupport T800	Middle support D800	4-Zone D800	4351....
	82.2033.01	*	Mittelsupport T850	Middle support D850	4-Zone D850	4351....
	82.2033.01	*	Mittelsupport T900	Middle support D900	4-Zone D900	4351....
	82.2660.01	*	Spulensupport T800/850	Coil support D800/850	2-Zone D800/850	4351....
	82.2660.02	*	Spulensupport T900	Coil support D900	2-Zone D900	4351....
15	82.2715.02	*	Luftkanal Foucault links 800x800	Air channel Foucault left 800x800	4-Zone D800	4351....
	82.2715.03	*	Luftkanal Foucault links 400x800	Air channel Foucault left 400x800	2-Zone D800	4351....
	82.2715.04	*	Luftkanal Foucault links 800x850	Air channel Foucault left 800x850	4-Zone D850	4351....
	82.2715.06	*	Luftkanal Foucault links 400x850	Air channel Foucault left 400x850	2-Zone D850	4351....
	82.2715.05	*	Luftkanal Foucault links 500/1000x900	Air channel Foucault left 500/1000x900	D900	4351....
16	82.2718.01	*	Luftkanalsupport 800x800/850	Air channel support 800x800/850	4-Zone D800/850	4351....
	82.2718.02	*	Luftkanalsupport 1000x900	Air channel support 1000x900	4-Zone D900	4351....
	82.2718.03	*	Luftkanalsupport 400x800/850	Air channel support 400x800/850	2-Zone D800/850	4351....
	82.2718.04	*	Luftkanalsupport 500x900	Air channel support 500x900	2-Zone D900	4351....
17	82.0114.11	OG7054	Abgrenzungsblech Frischluft links	Aeration sheet left	all 4-Zone	
18	82.0114.12	OG7056	Abgrenzungsblech Frischluft rechts	Aeration sheet right	all 4-Zone	
19	82.0113.11	???	Leitblech links	Aeration sheet left	all types	

* Components on demand
* Teile auf Anfrage

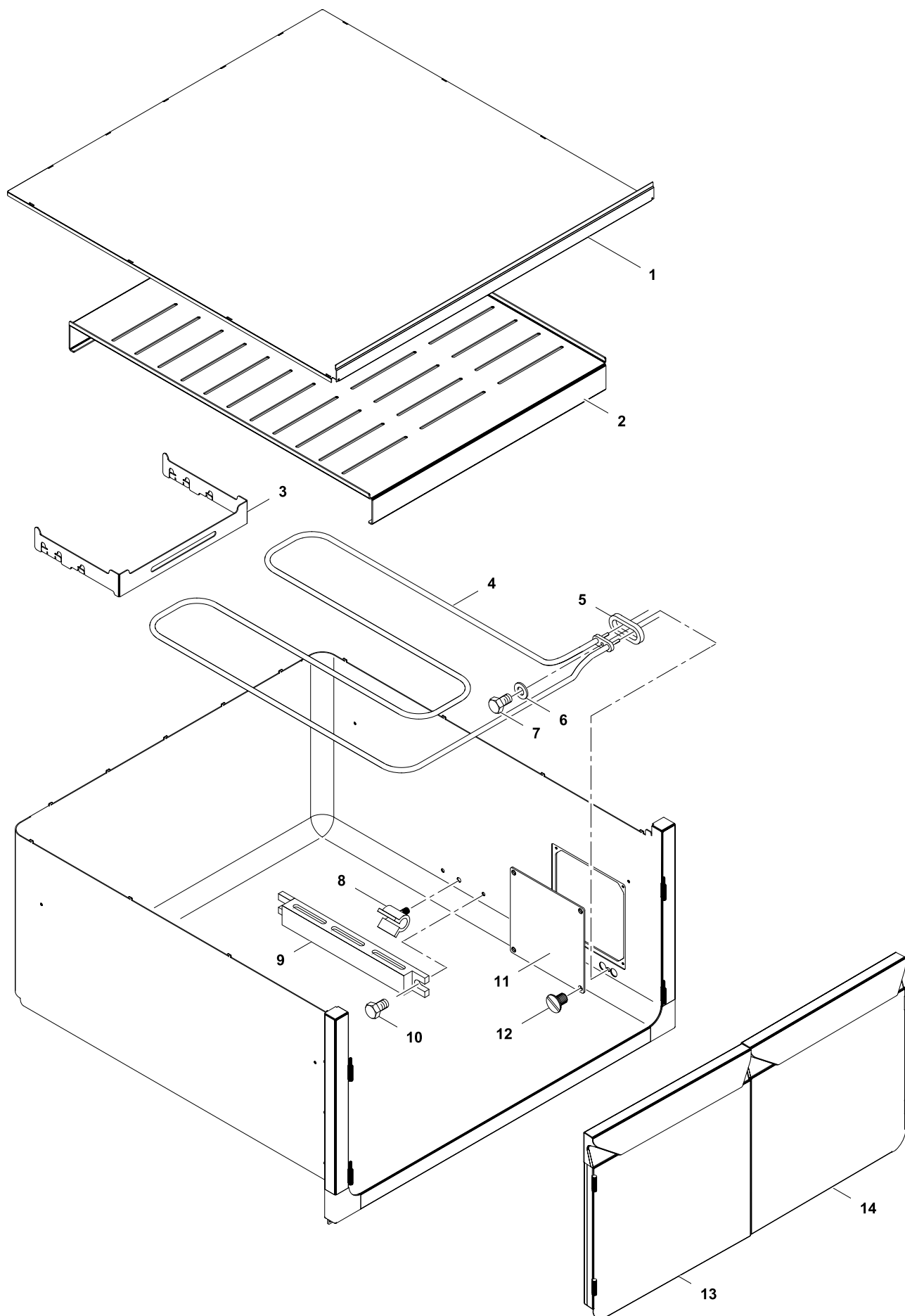


5	Alias	Code	Bezeichnung	Description	Ref.	Valid from Serial N°
1	82.7464	OC2496	Dichtband	Sealing strip	all types	
2	72.6015	OT2444	Wok Cuvette	Wok cuvette	Wok	
3	82.7402	OG6337	Glaskeramikplatte 320x320	Ceramic glass plate 320x320	Plate	
	1 201 1444	OK5103	Silikonplättchen	Silicon plate	all types	
	1 201 1792	OK3948	Novasil Kleber	Glue Novasil	all types	
4	82.2585	OC7167	Wok Support	Wok support	Wok	
5	712 044120.05	OG3998	Keps-Mutter M5	Keps-nut M5	Wok	
6	82.0712.XX	*	Auflage hinten FMM	Support backside FMM	-----	
7	82.0715.XX	*	Querträger verstellbar	Cross beam	-----	
8	82.0714.XX	*	Längsträger verstellbar	Longitudinal beam	-----	
9	82.0713.XX	*	Befestigung seitlich	Support sides	-----	
10	82.0711.XX	*	Aufhängung vorn FMM	Support fontside FMM	-----	
11	1 701 3535	OG3588	Unterlegscheibe M5	Washer M5	all types	
12	1 701 2623	OT1776	Sechskantschraube M5x6	Hex bolt M5x6	all types	
13	712 044120.04	OG4918	Keps-Mutter M4	Keps-nut M4	all types	
14	82.0711.01	*	Aufhängung Wok vorn	Support Wok front side	Wok	
15	82.7079.01	OC8305	Kit Atics 5kW 400V	Kit Atics 5kW 400V	Plate	
16	82.7347.01	OC9091	Kit Atics Wok 5kW 400V	Kit Atics Wok 5kW 400V	Wok	
17	82.2660.01	*	Spulensupport T800/850	Coil support D800/850	2-Zone D800/850	
	82.2660.02	*	Spulensupport T900	Coil support D900	2-Zone D900	
18	82.2854	*	Schiene	L-rail	2-Zone	
19	82.2582	*	Support Wok & Plate	Support Wok & Plate	Wok & Plate	
	82.2670	*	Support Wok	Support Wok	Wok	
20	1 701 2026	OK4596	Schraube M4x20	Screw M4x20	all types	
21	1 701 2021	OKX167	Schraube M4x10	Screw M4x10	all types	
22	1 701 3502	OG3595	Unterlegscheibe $\varnothing 4,3 \times \varnothing 9 \times 0,8$	Washer $\varnothing 4,3 \times \varnothing 9 \times 0,8$	all types	
23	1 701 2503	OG5490	Sechskantschraube M4x8	Hex bolt M4x8	all types	
24	*	*	Luftkanal	Air channel	all types	
25	82.0114.11	OG7054	Abgrenzungsblech Frischluft links	Aeration sheet left	all types	
	82.0114.12	OG7056	Abgrenzungsblech Frischluft rechts	Aeration sheet right	2-Side	

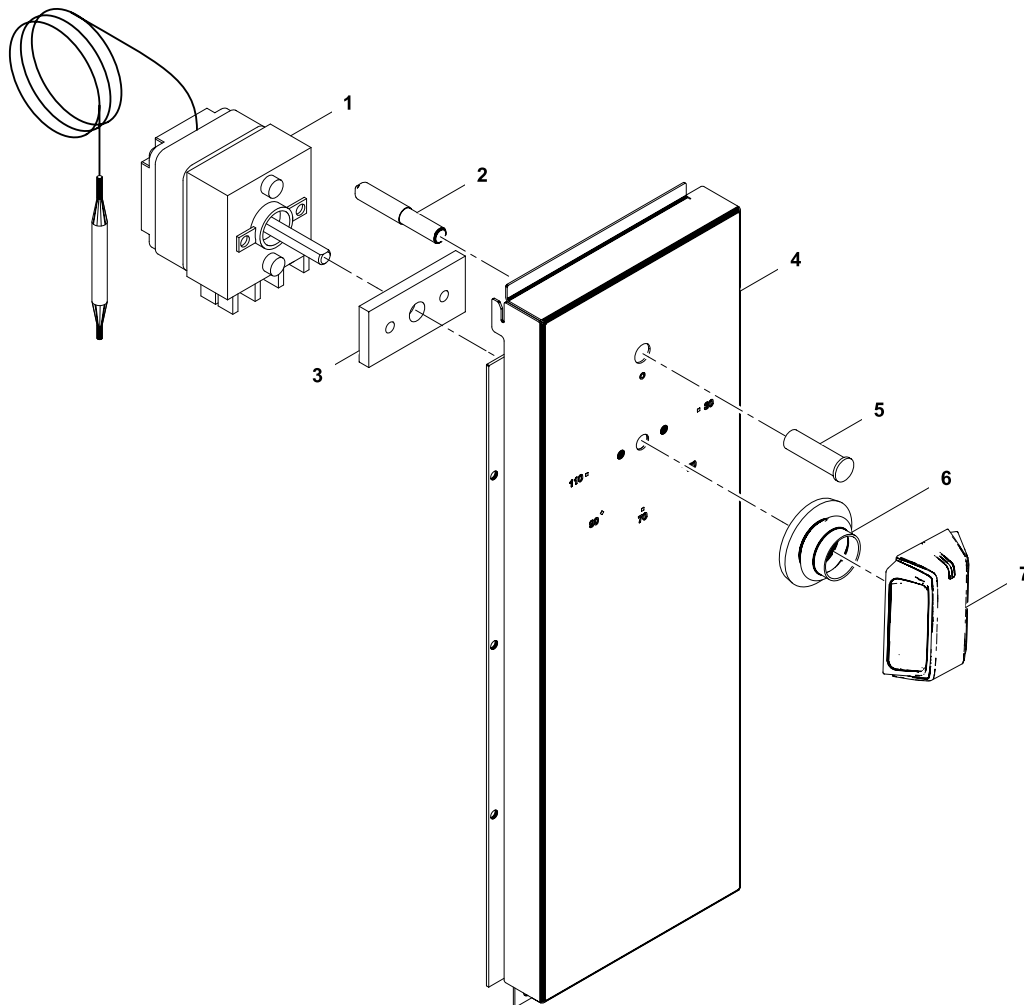




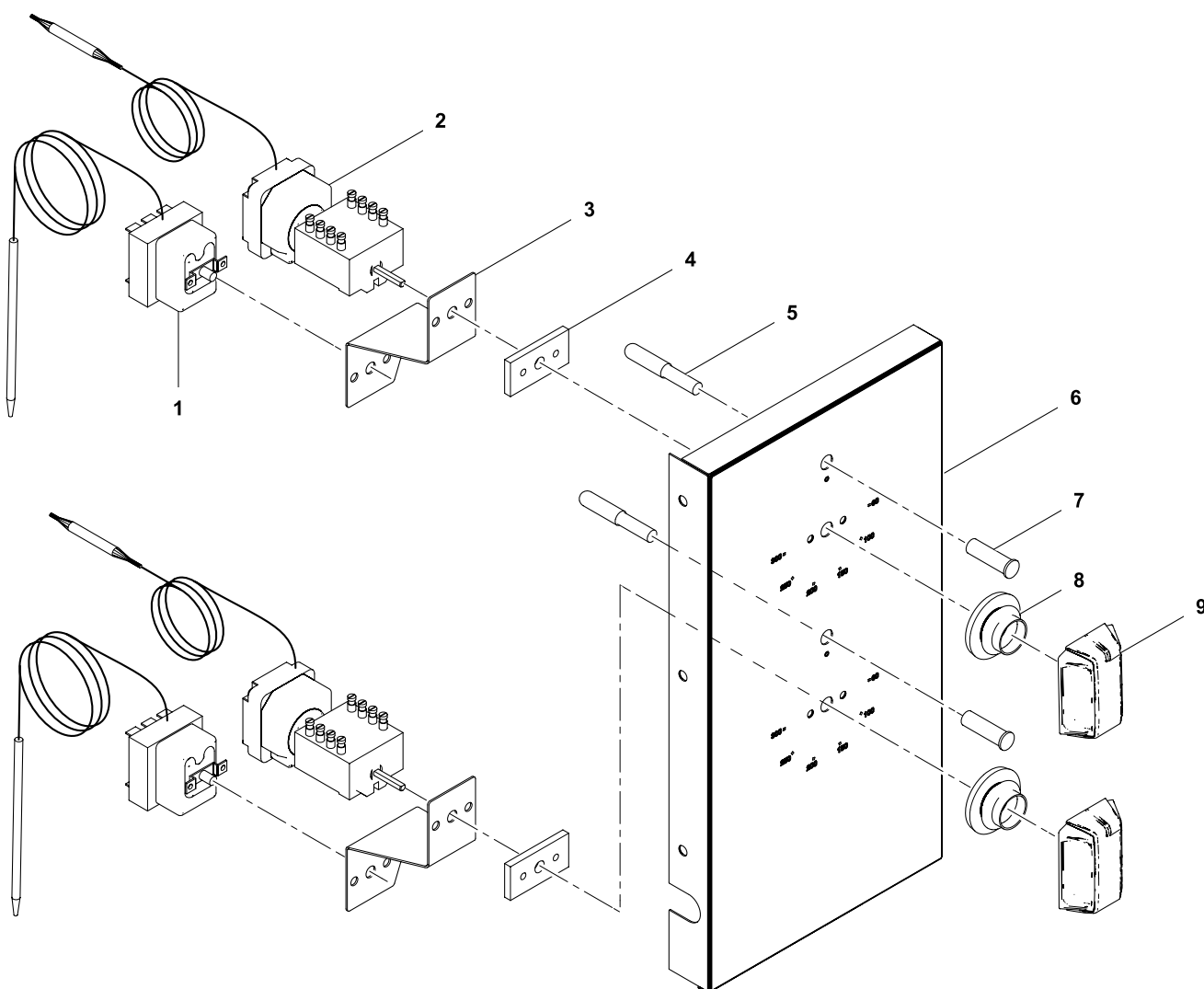
7	Alias	Code	Bezeichnung	Description	Ref.	Valid from Serial N°
1	82.7439	OG6640	Querstromlüfter QLN65/0012-2524	Cross flow blower QLN65/0012-2524	all types	
2	82.5191.008	*	Luftkanal klein 800x800	Air channel small 800x800	D800	
	82.5192.008	*	Luftkanal klein 800x850	Air channel small 800x850	D850	
	82.5193.010	*	Luftkanal klein 1000x900	Air channel small 1000x900	D900	
3a	82.1140.08	*	Anschlussdeckel H66/L800	Bottom front panel H66/L800	D800 2-Sides H700	
	82.1140.28	*	Anschlussdeckel H166/L800	Bottom front panel H166/L800	D800 2-Sides H800	
	82.1140.10	*	Anschlussdeckel H66/L1000	Bottom front panel H66/L1000	D900 2-Sides H700	
	82.1140.30	*	Anschlussdeckel H166/L1000	Bottom front panel H166/L1000	D900 2-Sides H800	
3b	82.0206.01	*	Anschlussdeckel 800/65	Bottom front panel 800/65	D800/850 H700	
	82.0209.014	*	Anschlussdeckel 800/165	Bottom front panel 800/165	D800 H800	
	82.0206.02	*	Anschlussdeckel 1000/65	Bottom front panel 1000/65	D900 H700	
	82.0209.02	*	Anschlussdeckel 1000/165	Bottom front panel 1000/165	D900 H800	
4	82.1046.01	*	Ofenblende 201mm links	Oven panel 201mm left	Oven D900	
	82.1046.02	*	Ofenblende 201mm rechts	Oven panel 201mm right	Oven D900 2-Sides	
	82.1046.09	*	Ofenblende 126mm links	Oven panel 126mm left	Oven D800 2-Sides	
	82.1046.11	*	Ofenblende 76mm links	Oven panel 76mm left	Oven D800/850	
	82.1046.12	*	Ofenblende 76mm rechts	Oven panel 76mm right	Oven D800 2-Sides	
	82.1042.08	*	Korpusabdeckung links 100	Cover panel left 100	Warm. D800 2-Sides	
	82.1041.05	*	Korpusabdeckung rechts 60	Cover panel right 60	Warm. D800 2-Sides	
	82.1042.05	*	Korpusabdeckung links 60	Cover panel left 60	Warm. D800/850	
	82.1041.01	*	Korpusabdeckung rechts 130	Cover panel right 130	Warm. D900 2-Sides	
	82.1042.01	*	Korpusabdeckung links 130	Cover panel left 130	Warm. D900	
5	82.1102.07	*	Rückwand 800x700	Back panel 800x700	D800/H700/1-Side/no C-Board	
	82.1102.27	*	Rückwand 800x800	Back panel 800x800	D800/H800/1-Side/no C-Board	
	82.1102.09	*	Rückwand 1000x700	Back panel 1000x700	D900/H700/1-Side/no C-Board	
	82.1102.29	*	Rückwand 1000x800	Back panel 1000x800	D900/H800/1-Side/no C-Board	
6	82.1007.07	*	Rückwand C-Board 800x700	Back panel C-Board 800x700	D800/850/H700/C- Board	
	82.1007.27	*	Rückwand C-Board 800x800	Back panel C-Board 800x800	D800/H800/C- Board	
	82.1007.09	*	Rückwand C-Board 1000x700	Back panel C-Board 1000x700	D900/H700/C- Board	
	82.1007.29	*	Rückwand C-Board 1000x800	Back panel C-Board 1000x800	D900/H800/C- Board	
7	82.7467	OC7307	Dichtung 5mm	Sealing sides 5mm	H700/800	5101...
8	82.7334	OG6396	Dichtung Geräte seitwärts (NM)	Side-sealing strip	H700/800	
9	83.3728	OG6886	Stellfuß 2" Marine 145-252mm	Adjustable feet 2" Marine 145-252mm	H700 Marine	
10	86.0001	OG5391	Stellfuß 2" 145-252mm rund	Adjustable feet 2" 145-252mm, round	H700	
11	86.2385	OG6140	Stellfuß 2" 100mm	Adjustable feet 2" 100mm	H800	
12	1 701 5051	OG6753	Fächerscheibe M6	Fan washer M6	H700/800	
13	1 701 2600	OKT919	Sechskantschraube M6x12	Hex bolt M6x12	H700/800	
14	82.0113.01	???	Leitblech H700 links	Aeration sheet left H700	H700	
	82.0113.11	???	Leitblech H800 links	Aeration sheet left H800	H800	
15	82.0114.01	???	Abrenzungsblech H700 links	Aeration sheet left H700	H700	
	82.0114.11	???	Abrenzungsblech H800 links	Aeration sheet left H800	H800	
16	82.0114.02	???	Abrenzungsblech H700 rechts	Aeration sheet right H700	H700	
	82.0114.12	???	Abrenzungsblech H800 rechts	Aeration sheet right H800	H800	
17	1 701 2579	OG4020	Sechskantschraube M5x16	Hex bolt M5x16	all types	
18	1 701 7002	OG2923	Fächerscheibe M5	Fan washer M5	all types	



8	Alias	Code	Bezeichnung	Description	Ref.	Valid from Serial N°
1	82.0226.03		Korpusdeckel 1-seitig 640mm	Corpus cover 1-side 640mm	D800/850 1-Side	
	82.0226.04		Korpusdeckel 1-seitig 740mm	Corpus cover 1-side 740mm	D900 1-side	
	82.0084.04		Korpusdeckel 2-seitig 640mm	Corpus cover 2-side 640mm	D800 2-Sides	
	82.0084.09		Korpusdeckel 2-seitig 740mm	Corpus cover 2-side 740mm	D900 2-Sides	
2	82.2326.03		Einlegeboden 640 1S	False bottom 640 1S	D800/850	
	82.0195.02		Einlegeboden 740 2S 900	False bottom 740 2S 900	D900 2-Sides	
	82.2812.01		Einlegeboden 740 1S 900	False bottom 740 1S 900	D900 1-Side	
3	62.4208	???	Halter Heizung	Heating element support	all types	
	62.6257	???	Halter Heizung	Heating element support	all types	
4	62.4082	OG2911	Heizung 2000W /400V	Heating element 2000W /400V	all types	
5	72.1120	OK4989	Dichtung 44x20x3	Sealing 44x20x3	all types	
6	1 701 7002	OG2923	Fächerscheibe M5	Fan washer M5	all types	
7	1 701 2579	OG4020	Sechslantschraube M5x16	Hex bolt M5x12	all types	
8	1 201 2020	???	Fühlerbefestigung	Sensor fixation	all types	
9	72.6251	???	Fühlerschutz	Sensor protection	all types	
10	1 701 2579	OG4020	Sechslantschraube M5x16	Hex bolt M5x12	all types	
11	82.0223.01	OG6757	Deckel Servicefenster	Lid service cover	all types	
12	1 701 1145	OG6758	Senkkopfschraube M4x6	Countersunk screw M4x6	all types	
13	82.0255.01	???	Tür, doppelt, 290, links	Door, couple, 290, left	D900/850 H2	
	82.0255.03	???	Tür, doppelt, 340, links	Door, couple, 340, left	W1000 1S/2S H2	
	82.1068.02	???	Tür, doppelt, NHC, 580, links	Door, couple, NHC, 580, left	D850 NHC	
14	82.0255.02	???	Tür, doppelt, 290, rechts	Door, couple, 290, right	D900/850 H2	
	82.0255.04	???	Tür, doppelt, 340, rechts	Door, couple, 340, right	W100 2S H2	
	82.1068.01	???	Tür, doppelt, NHC, 580, rechts	Door, couple, NHC, 580, right	D850 NHC	

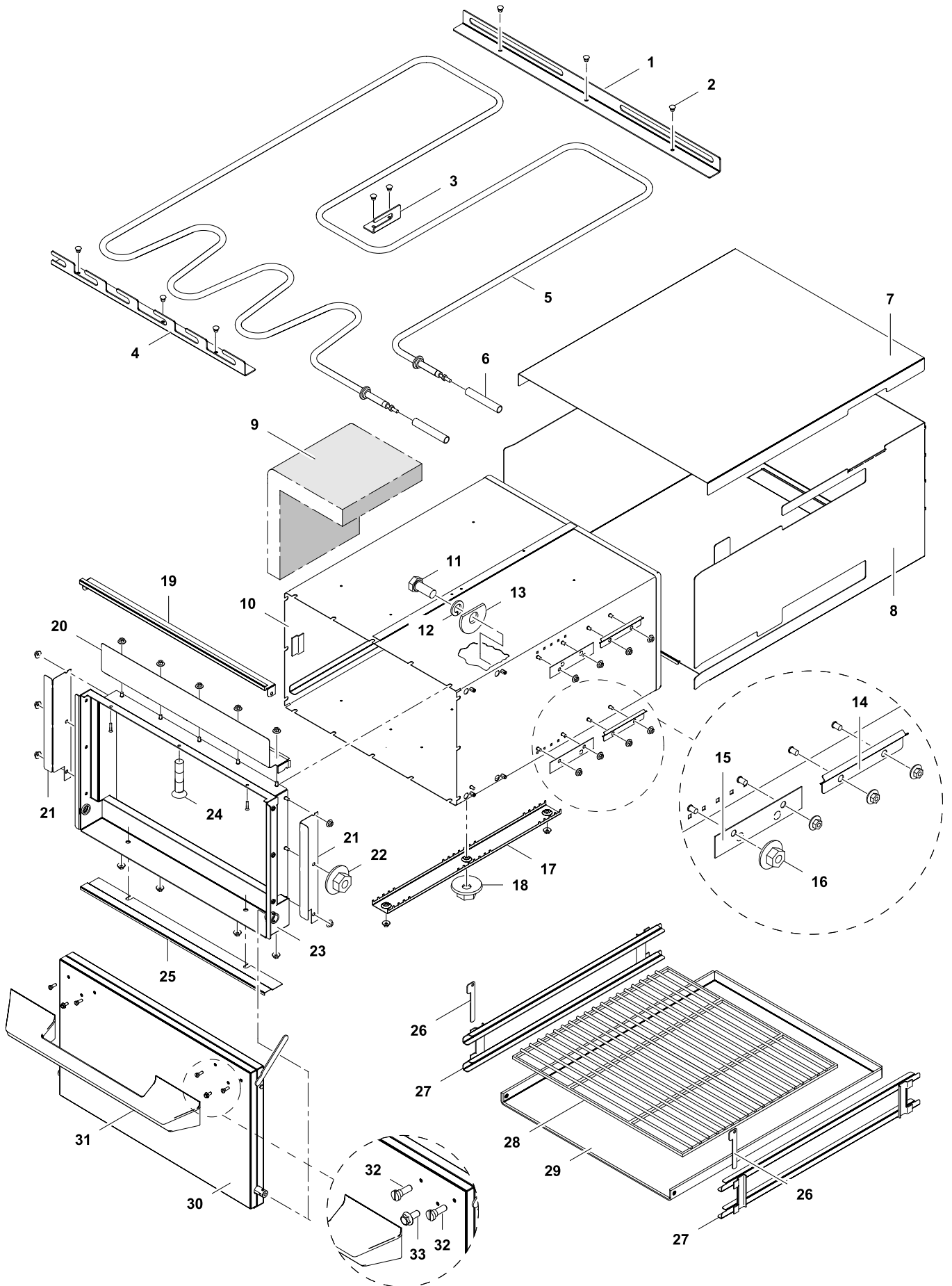


9	Alias	Code	Bezeichnung	Description	Ref.	Valid from Serial N°
1	712 344039	OK5023	Kapillarrohrregler 30-100	Capillary control 30-100	all types	
2	72.5938.04	OKI362	Anzeigelampe klar	Indicator light, clear	all types	
3	82.2665	OG7229	Zwischenblech	Spacer sheet	all types	
4	82.1043.04	*	Bedienblende warming cabinet, rechts, 100	Control panel warming cabinet, right, 100	D800/850	
	82.1043.01	*	Bedienblende warming cabinet, rechts, 130	Control panel warming cabinet, right, 130	D900	
5	72.5938.08	OKI364	Einsteckfassung klar Ø10mm	Lamp holder, clear, Ø10mm	all types	
6	82.7009	OG6247	Dichtung Drehgriff	Sealing for handle	all types	
7	82.9124.01	OG6369	Drehgriff mit Adapter 0°x6.0	Handle with adapter 0°x6.0	all types	
	62.1544.01	???	Kabelbaum: Wärmeschrank komplett	Wiring harness: warming cabinet	warming cabinet	
	62.1503.02	???	Verdrahtung 2X0.5X 300	Wiring 2x0.5x300	warming cabinet	
	82.9183.02	???	Kabel: WS-Qquerstromlüfter klein	Cable: Warming cab.-cross flow blower small	warming cabinet	



10	Alias	Code	Bezeichnung	Description	Ref.	Valid from Serial N°
1	82.9053	004269	Sicherheitsthermostat 360°C-25K	Safety thermostat 360°C-25K	all types	
2	82.9120	OG6318	Schalter off - lin 3/4 + Regler 280°C	Switch off - lin 3/4 + control 280°C	all types	
3	82.6524	???	Montagewinkel	Mounting angle	all types	
4	82.2665	OG7229	Zwischenblech	Spacer plate	all types	
5	72.5938.03	OKI361	Anzeigelampe klar	Indicator light, clear	all types	
6	82.1120.04	*	Reglerblende Ofen 126mm (°C)	Control panel oven 126mm (°C)	D800/850	
	82.1120.03	*	Reglerblende Ofen 201mm (°C)	Control panel oven 201mm (°C)	D900	
7	72.5938.07	OKI363	Einsteckfassung klar Ø10mm	Lamp holder, clear, Ø10mm	all types	
8	82.7009	OG6247	Dichtung Drehgriff	Sealing for handle	all types	
9	82.9124.01	OG6369	Drehgriff mit Adapter 0°x6.0	Handle with adapter 0°x6.0	all types	
	82.9132.02	???	Kabel: Ofen - Querstromlüfter klein	Cable: oven - cross flow blower short	oven	
	82.9104	???	Kabel: X0 - Schalter 5+6 Ofen	Cable: X0 - Switch 5+6 Oven	oven	
	82.9071.01	???	Kabel: Schalter S5 - STB1 - E5 H5 Ofen	Cable: Switch S5 - STB1 - E5 H5 Oven	oven	
	82.9071.02	???	Kabel: Schalter S6 - STB2 - E6 H6 Ofen	Cable: Switch S6 - STB2 - E6 H6 Oven	oven	
	82.9136	???	Kabel: Temperatur Thermostat KLICKSON	Cable: Temperatur thermostat KLICKSON	oven	

* Components on demand
* Teile auf Anfrage



11	Alias	Code	Bezeichnung	Description	Ref.	Valid from Serial N°
1	72.6609	OT2542	Halter Heizung hinten	Heating element support backside	all types	
2	1 701 1102	OG6411	Niete 4x7,3	Rivet 4x7,3	all types	
3	72.6610	OT2543	Halter Heizung mittig	Heating element support middle	all types	
4	72.6613	OT2544	Halter heizung vorn	Heating element support frontside	all types	
5	72.5054.03	OKI360	Heizung 2.5kW 400V	Heating element 2.5kW 400V	all Standard	
6	1 115 1281	OK4567	Isolierschlauch Ø14	Insulation tube Ø14	all types	
	1 115 1280	OT0571	Isolierschlauch Ø10	Insulation tube Ø10		
7	82.1157.03	*	Deckel Ofenverkleidung D800	Lid oven cover D800	D800	
	82.1157.01	*	Deckel Ofenverkleidung D850	Lid oven cover D850	D850	
	82.1157.02	*	Deckel Ofenverkleidung D900	Lid oven cover D900	D900	
8	82.1156.03	*	Unterteil Ofenverkleidung 1S/D800	Bottom oven cover 1S/D800	1-side/D800	
	82.1156.01	*	Unterteil Ofenverkleidung 1S/D850	Bottom oven cover 1S/D850	1-side/D850	
	82.1156.02	*	Unterteil Ofenverkleidung 1S/D900	Bottom oven cover 1S/D900	1-side/D900	
	82.1160.03	*	Unterteil Ofenverkleidung 2S/D800	Bottom oven cover 2S/D800	2-sides/D800	
	82.1160.02	*	Unterteil Ofenverkleidung 2S/D900	Bottom oven cover 2S/D900	2-sides/D900	
9	72.0807	OK4265	Isolation	Insulation	2-sides	
	72.0746.01	OK6341	Isolation	Insulation	1-side	
10	72.9794	*	Mantel Elektrobackofen	Mantle electric oven	all types	
11	1 701 2509	OK4598	Sechskantschraube M5x12	Hex bolt M5x12	all types	
12	1 701 5004	OH9734	Federring M5	Spring washer M5	all types	
13	719 040166	OG3052	Heizkörperscheibe	Disc	all types	
14	82.2520	OG7223	STB Halter	Safety thermostat support	all types	
15	719 040247	OK8882	Fühlerhalter	Sensor support	all types	
16	712 044120.06	OG3997	Keps-Mutter M6	Keps nut M6	all types	
17	72.0744	OK4263	Isolationsbefestigung	Insulation fixation	all types	
18	712 044120.06	OG3997	Keps-Mutter M6	Keps nut M6	all types	
19	83.3048	*	Abdeckprofil oben	Cover profile	all types	
20	82.2309	*	Klemmblech oben	Clamp sheet top	all types	
21	72.9822.02	*	Klemmblech links/rechts	Clamp sheet left/right	all types	
22	712 044120.06	OG3997	Keps-Mutter M6	Keps nut M6	all types	
23	83.3044	*	Frontrahmen Backofen	Frontal frame oven	all types	
24	GR40 186.1	OG3575	Flachkopfschraube M6x15	Flat head screw M6x15	all types	
25	83.3047	*	Abdeckprofil unten	Cover profile bottom	all types	
26	719 040244	OK5604	Arretierung Rostführung	Locking for grill rail	all types	
27	62.6197	OG6435	Rostführung Backofen 2/IGN	Grill rail 2/IGN	all types	
28	1 110 1300	OK6412	Grillrost 2/IGN	Grill 2/IGN	all types	
29	719 830045	OK8889	Einlegeplatte 2-seitig	Bottom plate 2-sides	2-sides	
	719 830077.01	OK8892	Einlegeplatte 1-seitig	Bottom plate 1-sides	1-side	
30	83.3450	OG6666	Backofentür komplett	Oven door complete	all types	
31	82.6500	OG7224	Handgriff Backofen	oven handle	all types	
32	82.7352	093923	Schraube M5x12	Screw M5x12	all types	
33	82.7355	OC7119	Schraube M5x12	Screw M5x12	all types	

* Components on demand
* Teile auf Anfrage