

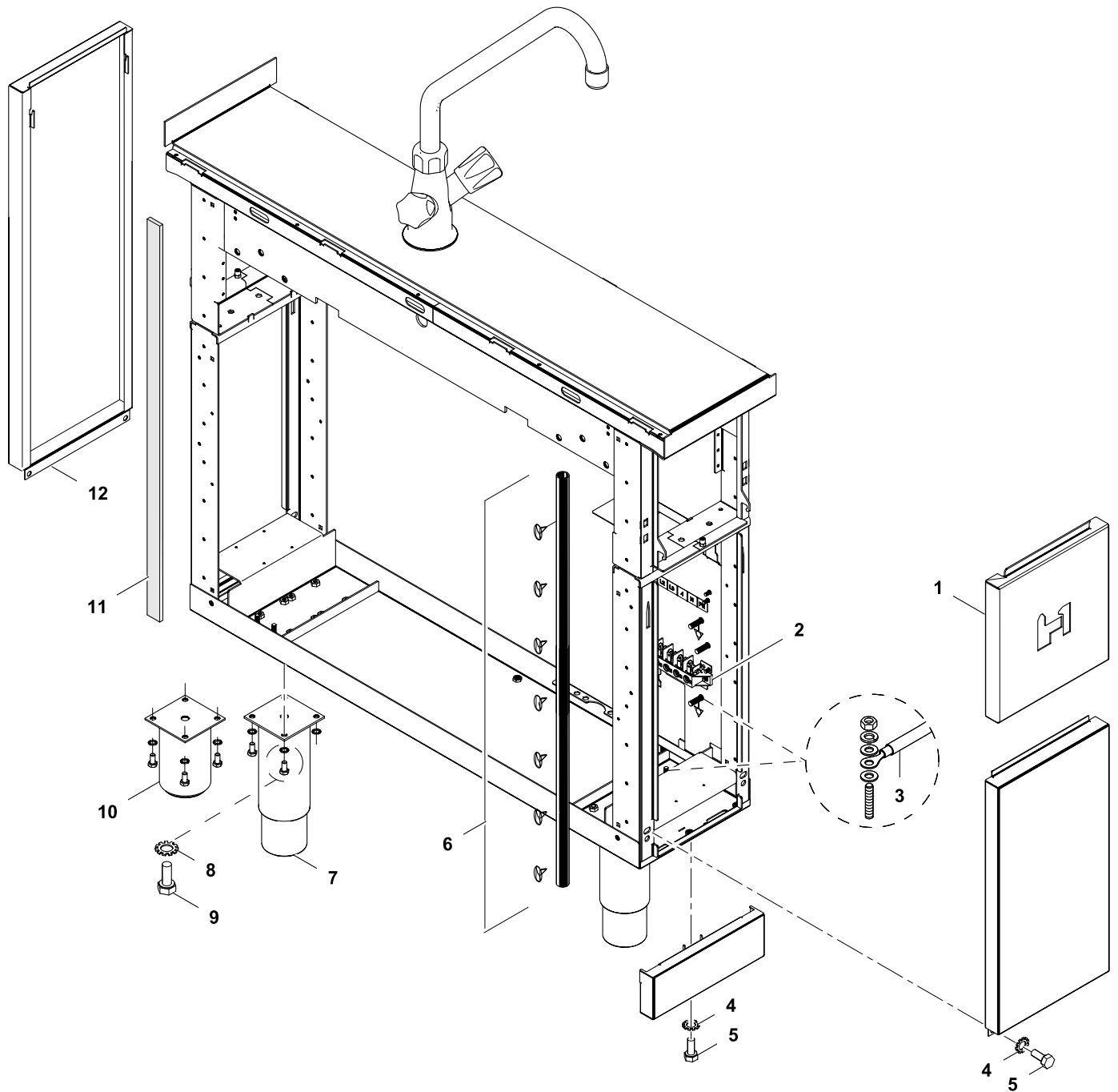
DE MISCHBATTERIE-ELEMENT
EN MIXER TAP UNIT

PNC	Factory Model	Ref.	Description
588386	MAEAGAB300	a	MIXER TAP, LEVER, 200X800X700
588387	MAEAGBB300	a	MIXER TAP, LEVER, C-BOARD, 200X800X700
588388	MAEBGAB300	b	MIXER TAP, KNOBS, 200X800X700
588389	MAEBGBB300	b	MIXER TAP, KNOBS, C-BOARD, 200X800X700
588390	MAEAHAB300	c	MIXER TAP, LEVER, 200X800X800
588391	MAEAHBB300	c	MIXER TAP, LEVER, C-BOARD, 200X800X800
588392	MAEBHAB300	d	MIXER TAP, KNOBS, 200X800X800
588393	MAEBHBB300	d	MIXER TAP, KNOBS, C-BOARD, 200X800X800
588172	MAMAGAB3BO	e	MIXER TAP, AUTOM. WATER FILLING, 200X800X700H
588173	MAMAGBB3BO	e	MIXER TAP, AUTOM. WATER FILLING, C-BOARD, 200X800X700
588266	MAMAHAB3BO	f	MIXER TAP, AUTOM. WATER FILLING, 200X800X800H
588267	MAMAHBB3BO	f	MIXER TAP, AUTOM. WATER FILLING, C-BOARD, 200X800X800
588558	MBEAGBB300	g	MIXER TAP, LEVER, C-BOARD, 200X850X700
588559	MBEBGBB300	h	MIXER TAP, KNOBS, C-BOARD, 200X850X700
588597	MBMAGBB3BO	i	MIXER TAP, AUTOM. WATER FILLING, C-BOARD, 200X850X700
589591	MCEAGAB300	k	MIXER TAP, LEVER, 200X900X700
589592	MCEAGBB300	k	MIXER TAP, LEVER, C-BOARD, 200X900X700
589593	MCEBGAB300	l	MIXER TAP, KNOBS, 200X900X700
589594	MCEBGBB300	l	MIXER TAP, KNOBS, C-BOARD, 200X900X700
589595	MCEAHAB300	m	MIXER TAP, LEVER, 200X900X800
589596	MCEAHBB300	m	MIXER TAP, LEVER, C-BOARD, 200X900X800
589597	MCEBHAB300	n	MIXER TAP, KNOBS, 200X900X800
589598	MCEBHBB300	n	MIXER TAP, KNOBS, C-BOARD, 200X900X800
589221	MCMAGAB3BO	o	MIXER TAP, AUTOM. WATER FILLING, 200X900X700H
589222	MCMAGBB3BO	o	MIXER TAP, AUTOM. WATER FILLING, C-BOARD, 200X900X700
589390	MCMAHAB3BO	p	MIXER TAP, AUTOM. WATER FILLING, 200X900X800H
589391	MCMAHBB3BO	p	MIXER TAP, AUTOM. WATER FILLING, C-BOARD, 200X900X800

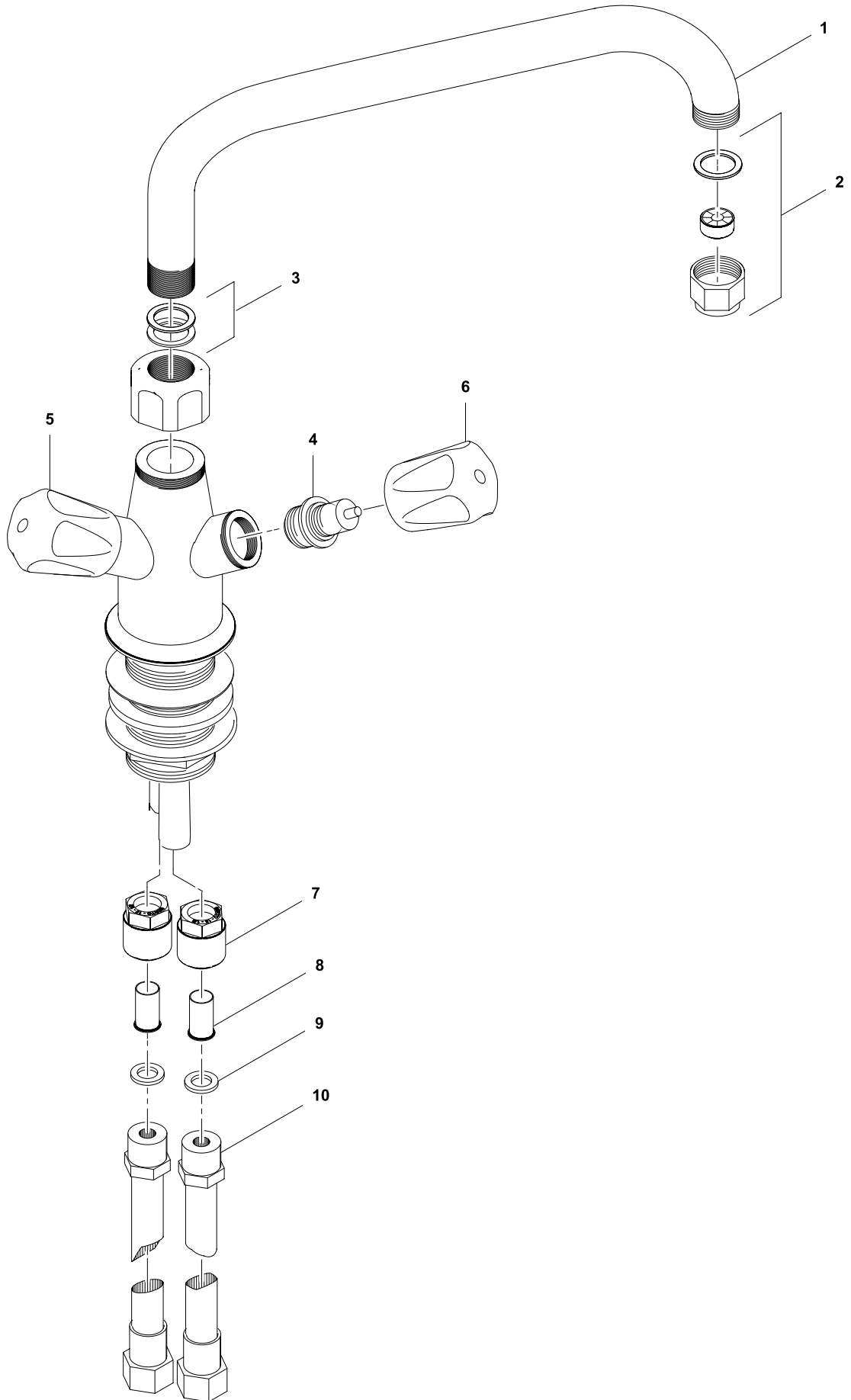
Page	Index
2	Full appliance
4	Mixer tap
6	Automatic water filling

Last Updates
Ed. 01/2015

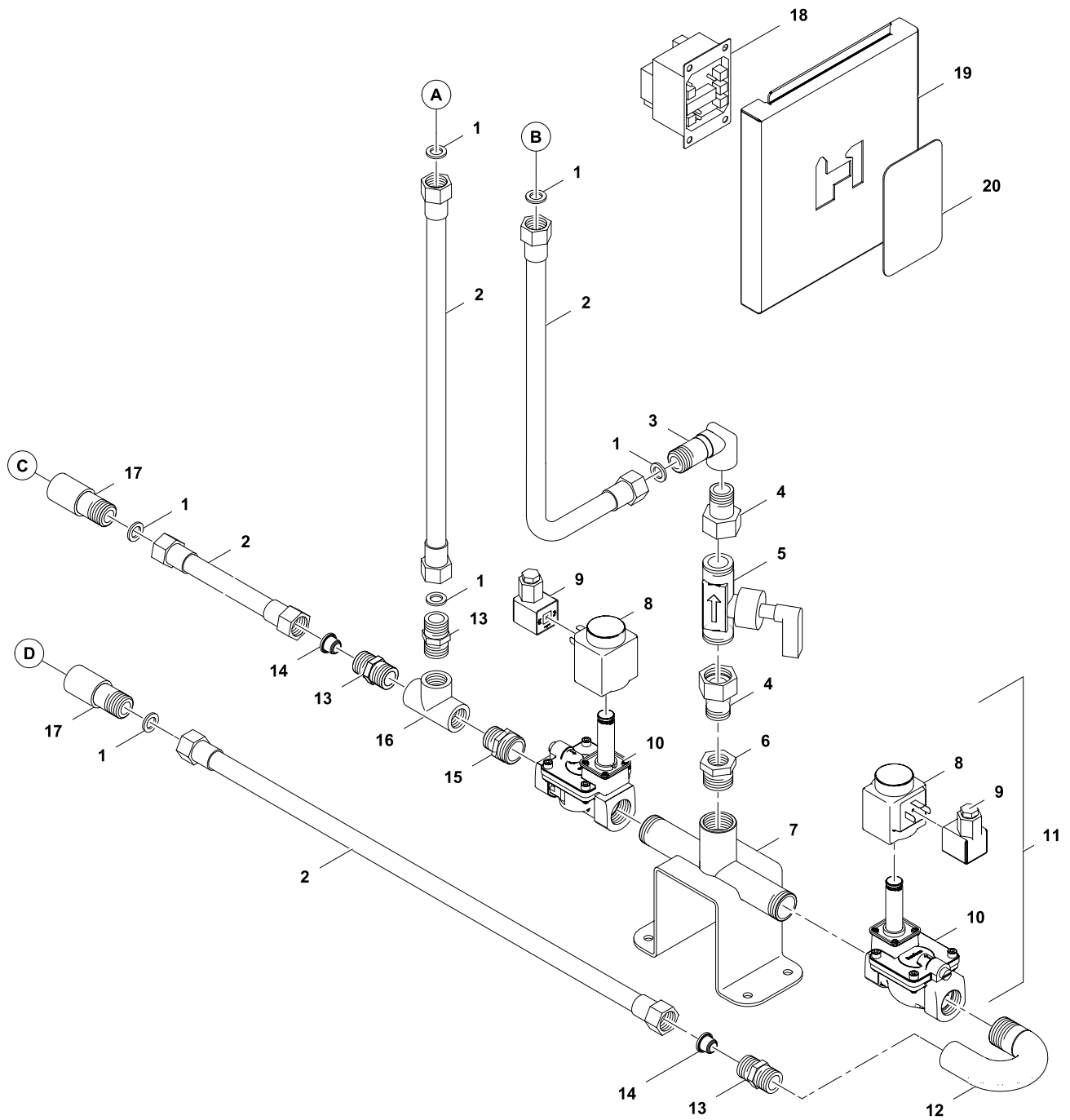
Page
all



1	Alias	Code	Bezeichnung	Description	Ref.	Valid from Serial N°
1	82.1000.11	*	Blende Top	Panel	no WFA	
	82.1122	*	Blende Top für WFA	Panel for waterfill automation	e f i o p	
2	82.9065	058613	Klemme FV122 V/V	Terminal FV122 V/V	e f i o p	
3	82.9101	0G7023	Kabel: Klemme - Erdungsbolzen	Cable: Terminal - ground bolt	e f i o p	
	82.9103	0G6424	Kabel: Haupterdraht L400 6mm²	Cable: main earthing L400 6mm²	e f i o p	
4	1 701 7002	0G2923	Fächerscheibe M5	Fan washer M5	all types	
5	1 701 2579	0G4020	Sechskantschraube M5x16	Hex bolt M5x16	all types	
6	82.7334	0G6396	Dichtung Geräte seitwärts (NM)	Side-sealing strip	all types	
7	86.0001	0G5391	Stellfuß 2" 145-252mm rund	Adjustable feet 2" 145-252mm, round	all H700	
8	1 701 5051	0G6753	Fächerscheibe M6	Fan washer M6	all types	
9	1 701 2600	0KT919	Sechskantschraube M6x12	Hex bolt M6x12	all types	
10	86.2385	0G6140	Stellfuß 2" 100mm	Adjustable feet 2" 100mm	all H800	
11	82.7467	0C7307	Dichtung 5mm	Sealing sides 5mm	all types	51010000
12	82.1102.01	*	Rückwand 200x700	Back panel 200x700	all H700	
	82.1102.21	*	Rückwand 200x800	Back panel 200x800	all H800	



5	Alias	Code	Bezeichnung	Description	Ref.	Valid from Serial N°
1	1 105 1257 62.6223.07	OG2974	Kit Mischbatterie Klarco (Pos. 1-6) Schwenkauslauf 3/4", 300x450mm	Kit Mixer tap Klarco (pos. 1-6) Swivel spout 3/4", 300x450mm	b d e f h i l n o p	
2	62.6223.01		Auslauf ohne Dripstop	Spout without drip stop		
3	1 105 1265 62.6223.02	OG5273	Tropfschutz (nicht in Kit enthalten)	Drip stop (not included in kit)		
4	62.6223.03		Dichtungsringe	Sealing rings		
5	62.6223.04		Ventileinsatz	Valve insert		
6	62.6223.05		Griff Heißwasser	Knob hot water	b d e f h i l n o p	
7	62.6223.05		Griff Kaltwasser	Knob cold water	b d e f h i l n o p	
8	1 101 2075	OKX119	Anschluss G1/2"	Connection G1/2"	all types	
9	1 101 3797	OKE129	Stützhülse Ø15	Sleeve Ø15	all types	
10	712 044481.21	OG3610	Dichtung Ø18/11	Sealing Ø18/11	all types	
	712 344893.02 82.6628	OK5363	Panzerschlauch L1100 G1/2" / R1/2" Mischbatterie mit Hebel Klarco	Armored hose L1100 G1/2" / R1/2" Mixer tap with lever Klarco	all types a c g k m	
	1 201 1813	OG3817	Kleber LOCTIE 577	Glue LOCTITE 577	all types	



5	Alias	Code	Bezeichnung	Description	Ref.	Valid from Serial N°
1	712 044481.21	OG3610	Flachdichtung Ø18x11x2	Flat seal Ø18x11x2	e f i o p	
2	712 344893.04		Panzerschlauch für WFA L600 G1/2"	Armored hose for WFA L600 G1/2"	e f i o p	
3	87.5164		Winkel zu WFA	Angle connection for WFA	e f i o p	
4	1 101 3923		Rohrverschraubung 9201 1/2"x3/4"	Screw fitting 9201 1/2"x3/4"	e f i o p	
5	76.9668.97	OG3702	Durchflussmesser WFA	Flow meter WFA	e f i o p	
6	75.7004.24	OG4739	Übergangsstück A3/4" - 11/2"	Fitting A3/4" - 11/2"	e f i o p	
7	82.6011		Verteilerrohr-Support	Pipe support	e f i o p	
8	76.3511	OG5598	Spule	Coil	e f i o p	
9	76.4935	OK4978	Stecker Magnetventil	Plug for magnetic valve 3-pin	e f i o p	
10	76.3510	OG5597	2/2 Wegeventil	Magnetic valve	e f i o p	
11	76.3405	OG4526	2/2 Wegeventil 3/4" komplett	Magnetic valve complete	e f i o p	
12	76.3612		Leitung KW	Pipe cold water	e f i o p	
13	1 116 1166	OG5518	Sechskantnippel	hex nipple	e f i o p	
14	1 701 2827	OG6842	Hutfilter 1/2-50/20 H12	Filter insert 1/2-50/20 H12	e f i o p	
15	1 117 1182	OK4574	Doppelnippel 1/2" / 3/4"	Double nipple 1/2" / 3/4"	e f i o p	
16	1 102 2435		T-Stück G1/2"	Tee connection G1/2"	e f i o p	
17	87.5168	OG6646	WFA Adapter G1/2"	WFA adapter G1/2"	e f i o p	
A			Warmwasseranschluss MIBA	Hot water connection at mixer tap		
B			Kaltwasseranschluss MIBA	Cold water connection at mixer tap		
C			Zuleitung Warmwasser	Hot water inlet		
D			Zuleitung Kaltwasser	Cold water inlet		
18	86.9164	OG5039	Steuergerät	Control device	e f i o p	
19	82.1122	*	Blende Top für WFA	Panel for waterfill automation	e f i o p	
20	86.9165	OG6722	Bedienfolie	Foil	e f i o p	
	76.9672.03		Kabel: X2/X2 WFA 2000mm	Cable: X2/X2 WFA 2000mm	e f i o p	
	76.9671.03		Kabel: Y1/X2 WFA 2000mm	Cable: Y1/X2 WFA 2000mm	e f i o p	

