

DE ELEKTRISCHE MULTIFUNKTIONSKOCHER
EN ELECTRIC AQUA COOKER

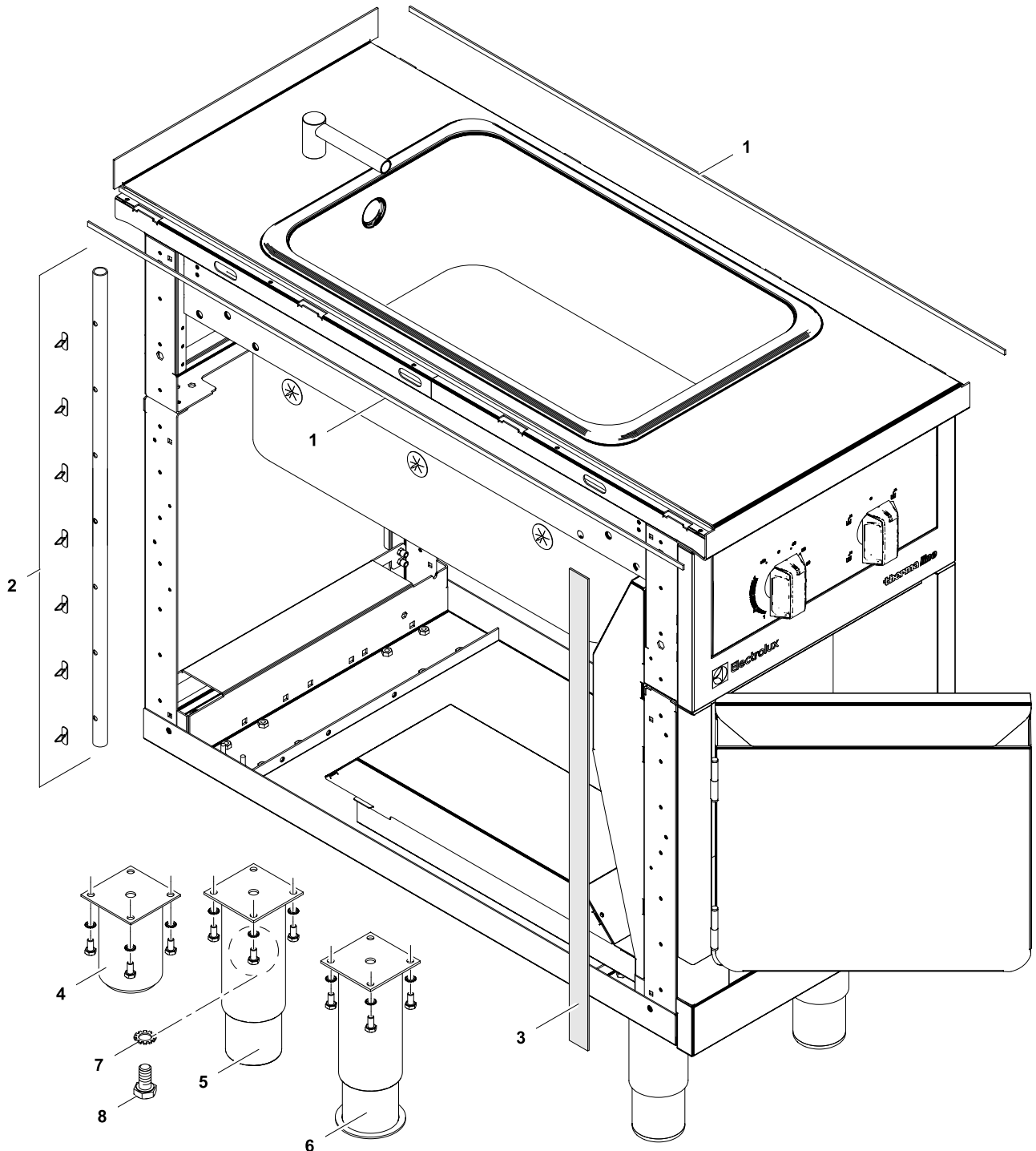
PNC	Factory Model	Ref.	Description
588090	MABDEADDAO	a	AQUA COOKER, 1/1GN, 400X800X700H
588091	MABDEBDDAO	a	AQUA COOKER, 1/1GN, C-BOARD, 400X800X700H
588253	MABDFADDAO	b	AQUA COOKER, 1/1GN, 400X800X800H
588254	MABDFBDDAO	b	AQUA COOKER, 1/1GN, C-BOARD, 400X800X800H
588554	MBBDGBDDAO	c	AQUA COOKER, 1/1GN, C-BOARD, 400X850X700H
589138	MCBDEADDAO	d	AQUA COOKER, 1/1GN, 400X900X700H
589139	MCBDEBDDAO	d	AQUA COOKER, 1/1GN, C-BOARD, 400X900X700H
589377	MCBDFADDAO	e	AQUA COOKER, 1/1GN, 400X900X800H
589378	MCBDFBDDAO	e	AQUA COOKER, 1/1GN, C-BOARD, 400X900X800H
589824	MCBDEADDDM	f	MARINE AQUA COOKER, 1/1GN, 400X900X700

Page	Index
2	Feet and joints
3	Electrical compartment
4	Mechanical module (FMM)
6	Water connections (FMW)
8	Base

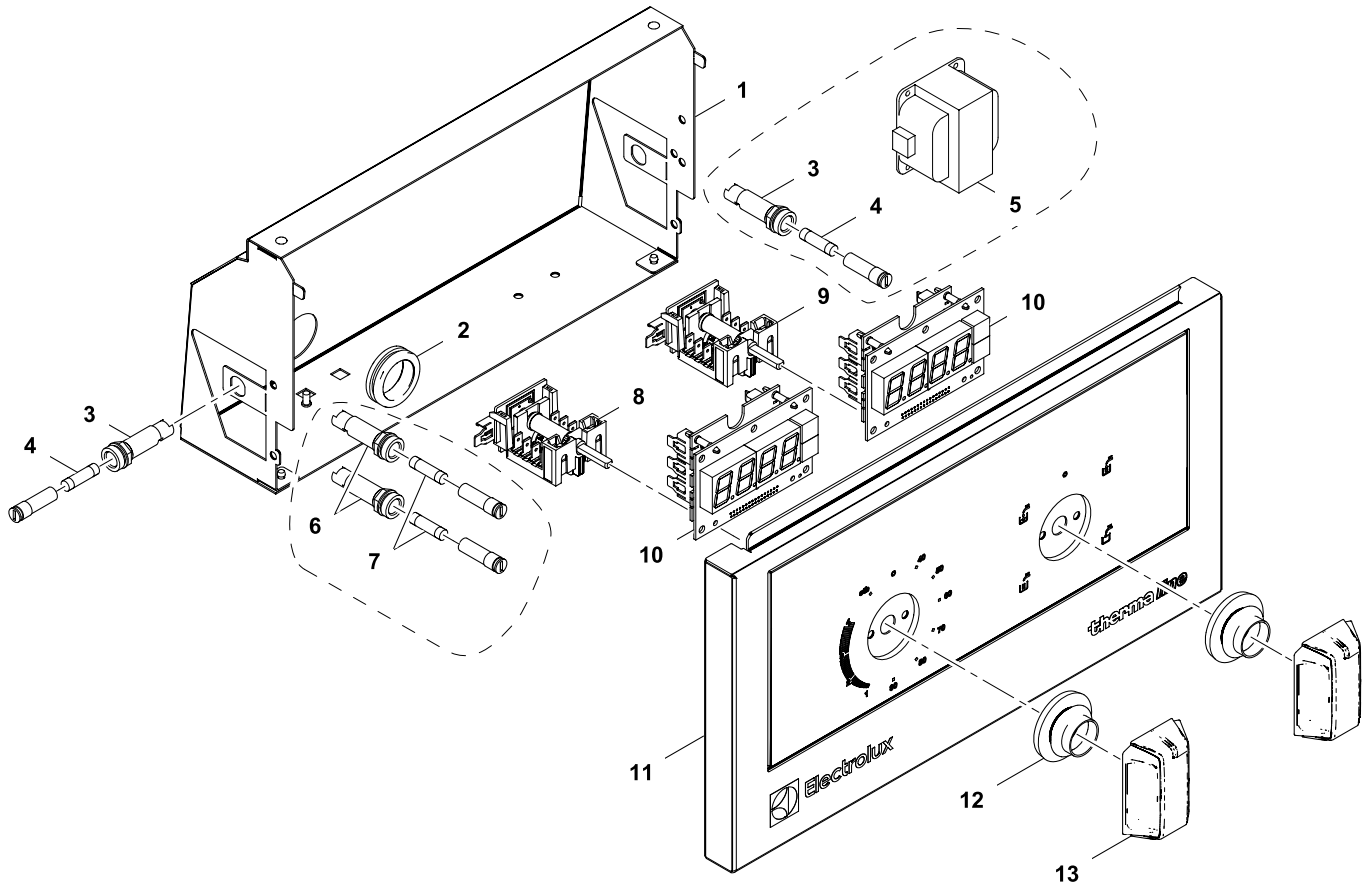
Last Updates
Ed. 07/2015

Page
all

Valid from Ser. N° 3101....

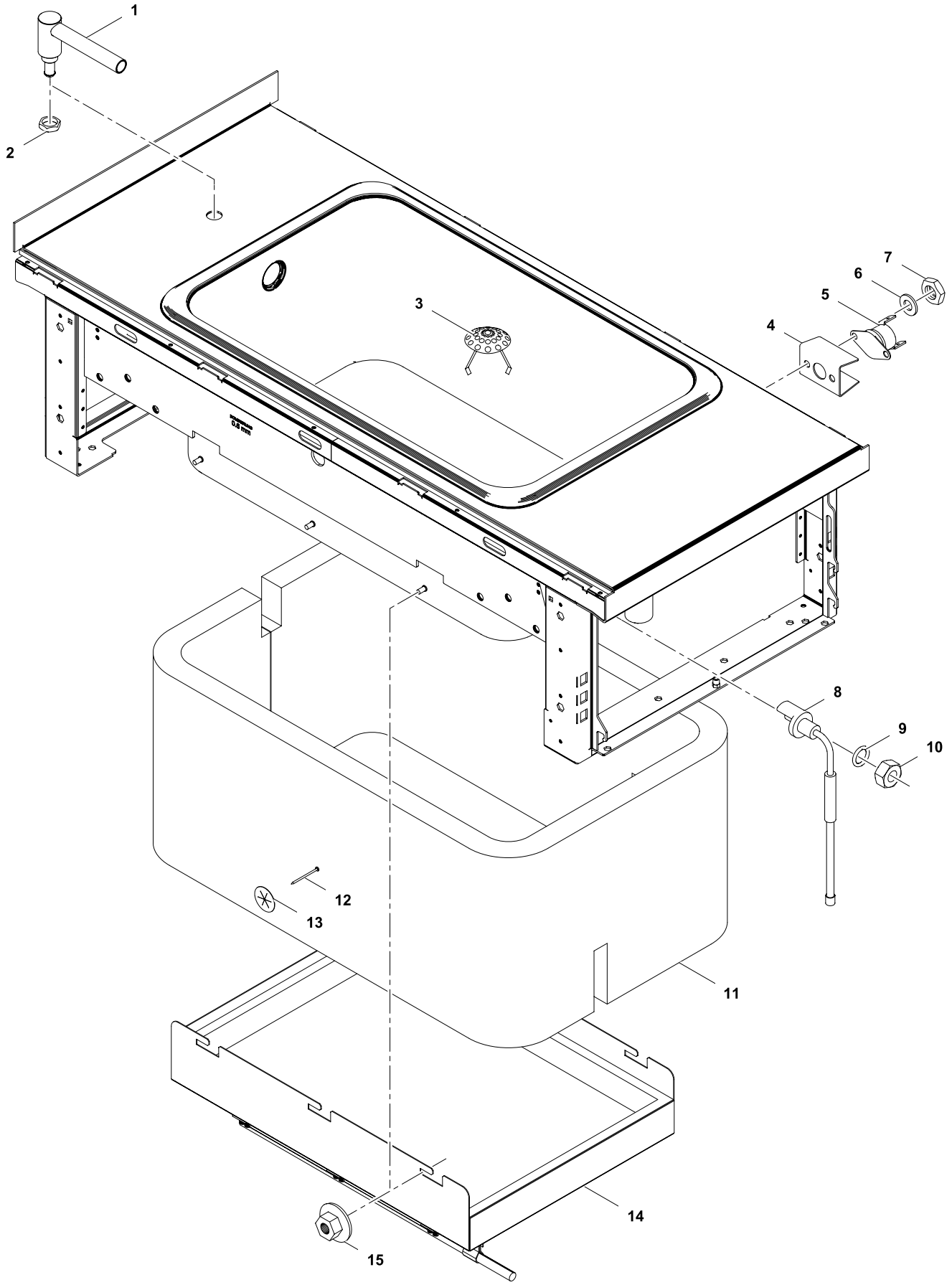


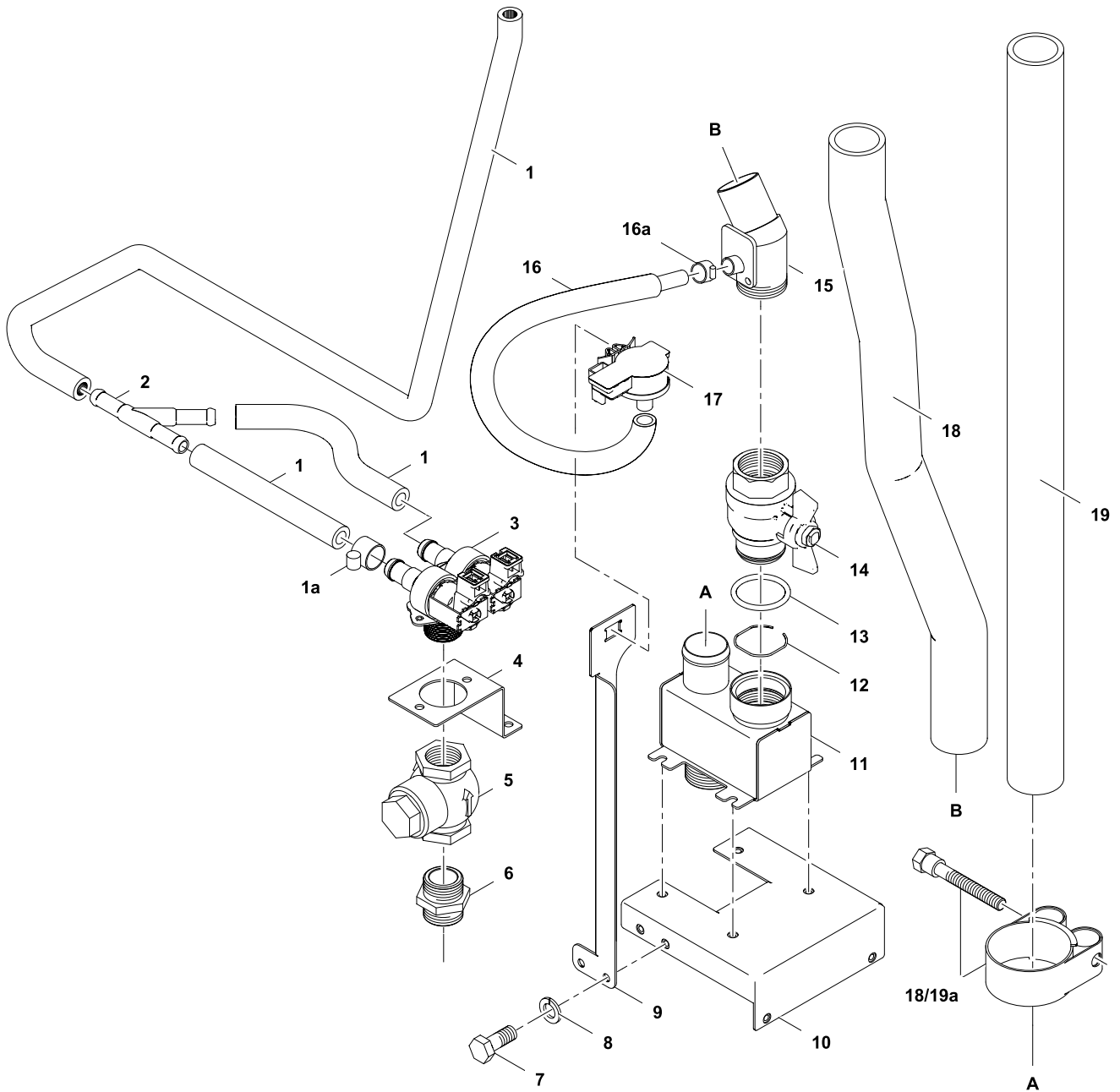
1	Alias	Code	Bezeichnung	Description	Ref.	Valid from Serial N°
1	82.7464	OC2496	Dichtband (Schaumstoff-Silikon, mlebend)	Sealing strip	all types	
2	82.7334	OG6396	Dichtung Geräte seitwärts (NM)	Side-sealing strip	all types	
3	82.7467	OC7307	Dichtband Geräte seitwärts	Side-sealing strip	all types	51010001
4	86.2385	OG6140	Stellfuß 2" 100mm	Adjustable feet 2" 100mm	b e h k	
5	86.0001	OG5391	Stellfuß 2" 145-252mm rund	Adjustable feet 2" 145-252mm, round	a c f g	
6	83.3728	OG6886	Stellfuß 2" Marine 145-252mm	Adjustable feet 2" Marine 145-252mm	k m	
7	1 701 5051	OG6753	Fächerscheibe M6	Fan washer M6	all types	
8	1 701 2600	OKT919	Sechskantschraube M6x12	Hex bolt M6x12	all types	



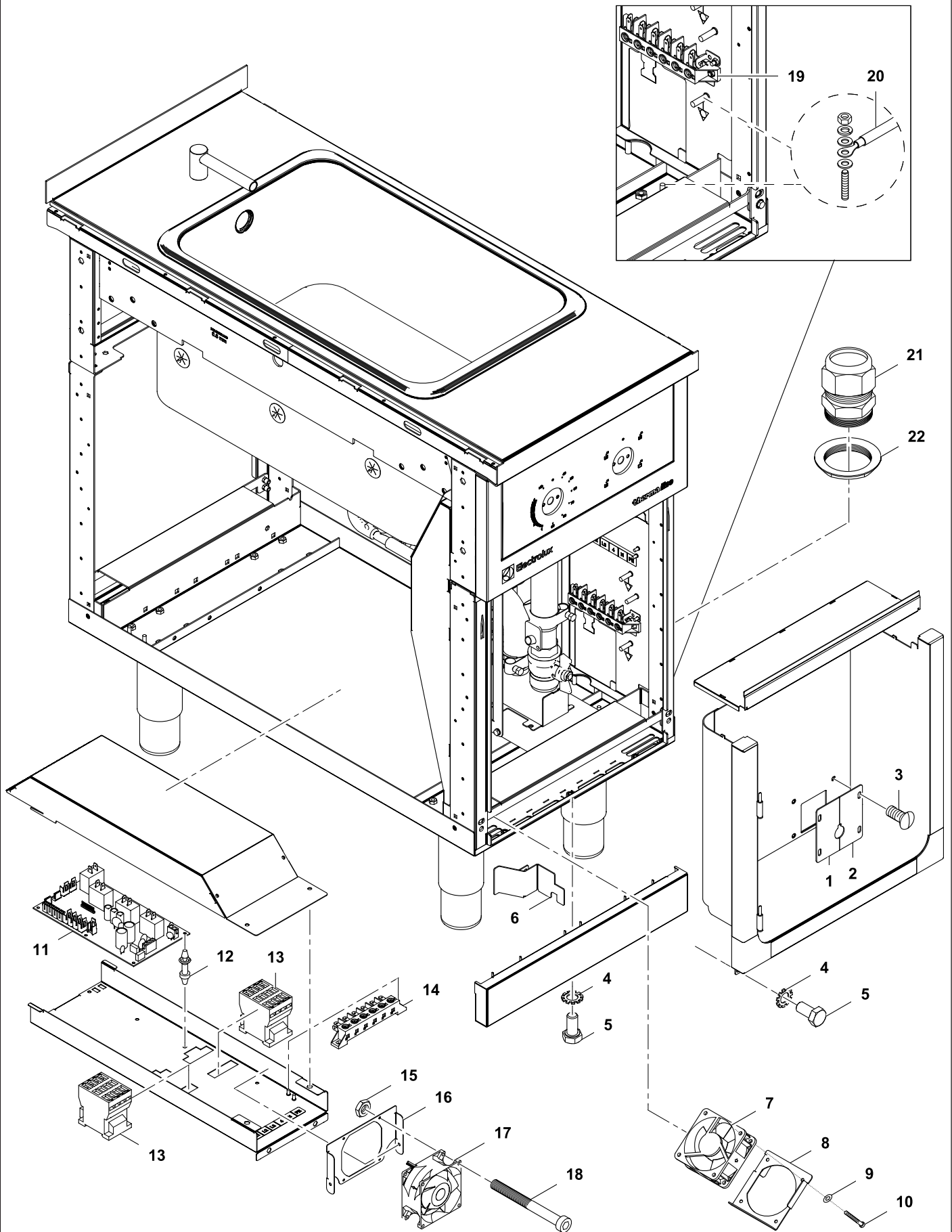
2	Alias	Code	Bezeichnung	Description	Ref.	Valid from Serial N°
1	82.3012	*	Elektrobox	Electrical compartment	all types	
2	712 044961.17	OKT854	Kabeltülle Ø25/Ø31/Ø35x10	Cable sleeve Ø25/Ø31/Ø35x10	all types	
3	82.7093	056582	Halter Sicherung	Fuse holder	all types	
4	712 344362.01	OG5814	Sicherung 5x20 1 00A	Fuse 5x20 1 00A	all types	
5	82.9209	006710	Autotransformator 0-240-400-440V 150VA	Autotransformer 0-240-400-440V 150VA	f	
6	87.9204	OC2228	Halter Sicherung 6.3x32 500V	Fuse holder 6.3x32 500V	f	
7	82.9171	OTTR73	Sicherung 6.3x32 0.63A 500V	Fuse 6.3x32 0.63A 500V	f	
8	82.9018	OG6310	Schalter off-line 5 Stufen + 10K Potentiometer	Switch off-line 5 steps + 10k potentiometer	all types	
9	82.9016	OG6307	Schalter off-4 Stufen + 10K Potentiometer	Switch off-line 4 steps + 10k potentiometer	all types	
10	82.7015	OG6246	Eurotas-Display	Eurotas-Display	a b d e f	
	72.5938.04	OKI362	Anzeigelampe grün	Indicator light, green	c	
	72.5938.08	OKI364	Einsteckfassung grün/gelb Ø10mm	Lamp holder, green/yellow, Ø10mm	c	
	72.5938.03	OKI361	Anzeigelampe klar	Indicator light, transparent	c	
	72.5938.07	OKI363	Einsteckfassung klar Ø10mm	Lamp holder, transparent, Ø10mm	c	
11	82.1027.57	*	Bedienblende Aqua Cooker	Control panel Aqua Cooker	a b d e f	
	82.1049.57	*	Bedienblende Aqua Cooker INOX	Control panel Aqua Cooker INOX	c	
12	82.7009	OG6247	Dichtung Drehgriff	Sealing for handle	all types	
13	82.9124.01	OG6369	Drehgriff mit Adapter 0°x6.0	Handle with adapter 0°x6.0	all types	
	82.9001	OG6461	Kabel: Sparta - Display (L 2200mm)	Cable: sparta - display (L 2200mm)	a b d e	
	82.9044.02	OG6181	Kabel: Sparta - Potentiometer (L 2000mm)	Cable: sparta - potentiometer (L 2000mm)	c	
	82.9002	OG6897	Kabel: Display - Display (L 290mm)	Cable: display - display (L 290mm)	a b d e	
	82.9045	OG6898	Kabel: Anzeigelampe (L 2000mm)	Cable: indicator light (L 2000mm)	c	
	82.9106		Kabel: Anzeigelampe - Schütz L2000	Cable: Indicator light - Conductor (L 2000)	c	
	82.9003	OG6899	Kabel: Potentiometer - Display (L 200mm)	Cable: potentiometer - display (L 200MM)	a b d e f	
	82.9005	OG6729	Kabel: Sicherheitstherm. - F1 - Schalter	Cable: safety therm. - F1 - switch	a b c d e	
	82.9193	OG6900	Kabel: Elektrobox Marine	Cable: electrical compartment Marine	f	

* Components on demand
* Teile auf Anfrage





4	Alias	Code	Bezeichnung	Description	Ref.	Valid from Serial N°
1	82.4260	OC4832	Silikondruckschlauch Ø16.6 Ø9.5	Silicon pressure hose Ø16.6 Ø9.5	all types	
1a	12.9924	OG2824	Schlauchklemme 8-14	Hose clamp 8-14	all types	
2	82.7115	OC5566	T-Stück	Tee connection	all types	
3	82.7035	OC6137	Magnetventil V290	Solenoid valve V290	all types	
4	82.2014	*	Halter Wasserklappe	Water inlet support	all types	
5	76.3431	OG4583	Rückschlagventil 3/4"	Check valve 3/4"	all types	
6	1 102 2457	OG5419	Doppelnippel 3/4"	Double nipple 3/4"	all types	
7	1 701 2509	OK4598	Sechskantschraube M5x12	Hex bolt M5x12	all types	
8	1 701 5004	OH9734	Federring M5	Spring washer M5	all types	
9	82.2442	*	Halter Drucksensor	Pressure sensor support	all types	
10	82.7329	*	Halter Abfluss	Drain support	all types	
11	82.7330		Abwasserauslass	Drain water outlet	all types	
12	82.7031	OC8456	Klemmring	Clamb ring	all types	
13	82.7030	OC6800	O-Ring D32.93x3.53	O-ring D32.93x3.53	all types	
14	82.7274	OG6912	Kugelhahn	Ball valve	all types	
15	82.7273.01	*	Ablaufanschluss	Drain connection	all types	
16	82.7098	OC0723	Silikondruckschlauch Ø16 Ø4	Silicon pressure hose Ø16 Ø4	all types	
16a	82.7234	OG6913	Schlauchklemme 10-16	Hose clamp 10-16	all types	
17	82.9060	OG6323	Drucksensor 100mbar	Pressure sensor 100mbar	all types	
18	82.7173.02		EPDM Schlauch Ø38 Ø30 L=870	EPDM hose Ø38 Ø30 L=870	all types	
19	1 201 1886	OKT930	EPDM Schlauch Ø38 Ø30 L=180	EPDM hose Ø38 Ø30 L=180	all types	
18/19a	1 701 2814	OG4728	Schlauchklemme 25-40	Hose clamp 25-40	all types	



7	Alias	Code	Bezeichnung	Description	Ref.	Valid from Serial N°
1	82.0239.02	*	Abdeckung Ablaufhahn links	Cover sheet drain opening left	D800/900	
	82.0141.02	*	Abdeckung Ablaufhahn links /NHC	Cover sheet drain opening left /NHC	D850	
2	82.0239.01	*	Abdeckung Ablaufhahn rechts	Cover sheet drain opening right	D800/900	
	82.0141.02	*	Abdeckung Ablaufhahn rechts /NHC	Cover sheet drain opening right/NHC	D850	
3	1 701 1143	OG6901	Linsenkopfschraube M5x12	Lenshead screw	all types	
4	1 701 7002	OG2923	Fächerscheibe M5	Fan washer M5	all types	
5	1 701 2509	OK4598	Sechskantschraube M5x12	Hex bolt M5x12	all types	
6	82.0113.01		Leitblech links H700	Aeration sheet left H700	all types	
	82.0113.11		Leitblech links H800	Aeration sheet left H800	all types	
7	82.7159	OG6274	Ventilator 60x60x25 622HH (3.5W)	Cooling fan 60x60x25 622HH (3.5W)	all types	
8	82.3009	*	Halteblech Ventilator	Cooling fan support	all types	
9	1 701 7060		Fächerscheibe M4	Fan washer M4	all types	
10	1 701 2084	OG3586	Zylinderschraube M4x25	Allen set screw M4x25	all types	
11	82.7014.KD	OG6221	Mainboard SPARTA	Mainboard SPARTA	all types	
12	75.5000	OG4212	Distanzhalter munststoff	Plastic spacer support	all types	
13	1 115 1757	OG4645	Schütz K3-14X027	Conductor K3-14X027	all types	
14	82.7023	058613	Klemme FV122	Cable terminal FV122	all types	
15	712 044120.04	OG4918	Keps Mutter M4	Keps nut M4	all types	
16	82.2066	*	Befestigungsblech Ventilator	Ventilator fixation sheet	all types	
17	82.7021	OC3967	Ventilator EBMPAPST Mod. 8556 VWR-669	Ventilator EBMPAPST Mod. 8556 VWR-669	all types	
18	1 701 1083	OG5755	Zylinderkopfschraube M3x30	Socket cap screw M3x30	all types	
19	82.7023	058613	Klemme FV122	Cable terminal FV122	all types	
20	82.9103	OG6424	Kabel: Haupterdraht L 400 6mm ²	Cable: Main earthing cable L400 6mm ²	all types	
21	82.2908	OC0068	Kabelverschraubung PG21	Cable gland PG21	all types	
22	82.9226	OG7024	Gegenmutter Kabelverschraubung PG21	Lock nut PG21	all types	
	82.9000	OG6902	Kabel: X1 - k1 - k2	Cable: X1 - k1 - k2	a b c d e	
	82.9006	OG6903	Kabel: Sparta - N -Schalter - P	Cable: Sparta - N - Switch - P	a b c d e	
	82.9007	OG6904	Kabel: Sparta - Ventil	Cable: Sparta - Valve	a b c d e	
	82.9061	OG6905	Kabel: Sparta - Drucksensor	Cable: Sparta - Pressure sensor	a b c d e f	
	82.9009	OG6906	Kabel: Sparta - Ventilator	Cable: Sparta - Ventilator	a b c d e f	
	82.9035.02	???	Kabel: Sparta - X0 - X1 Hauptzul. 5x2.5mm ²	Cable: Sparta - X0 - X1 mains 5x2.5mm ²	a b c d e f	