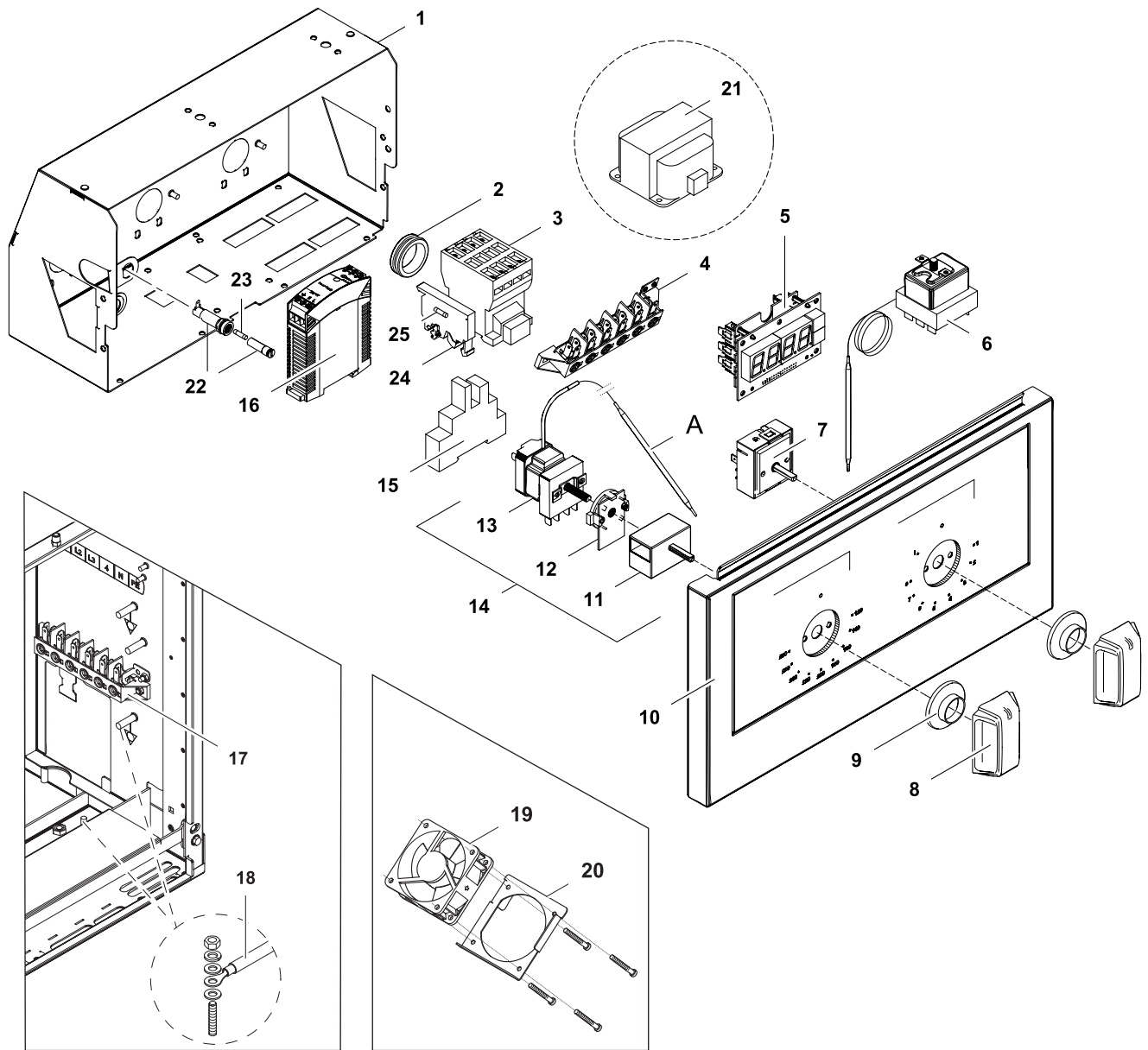


**DE** ELEKTRISCHER BRATHERD  
**EN** ELECTRIC MULTIBRAISER

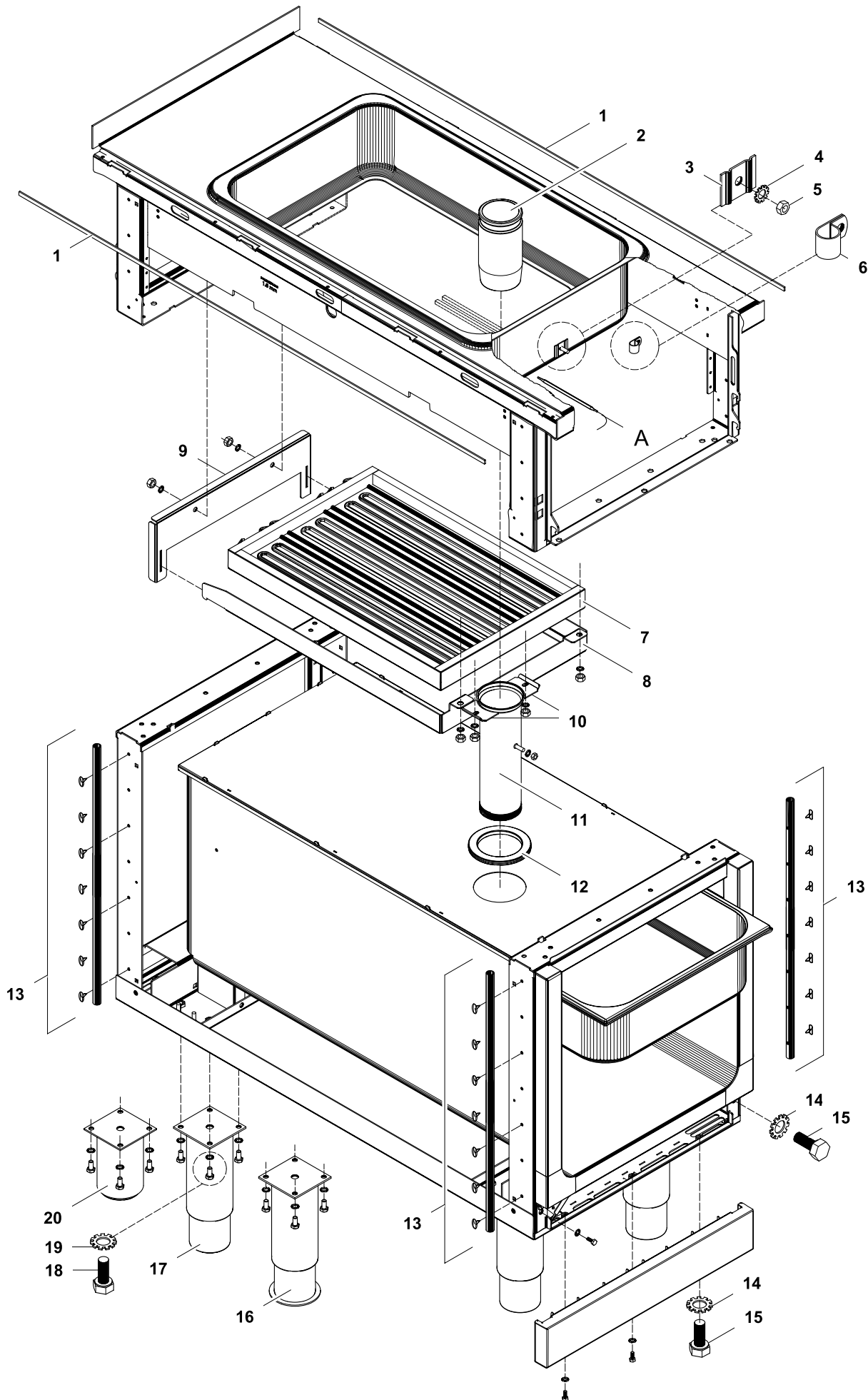
PNC	Factory Model	Ref.	Description
588183	MAAAEADDAO	a	1/1 GN, 400X800X700H
588184	MAAAEBDDAO	a	1/1 GN, C-BOARD, 400X800X700H
588277	MAAAFADDAO	b	1/1 GN, 400X800X800H
588278	MAAAFBDDAO	b	1/1 GN, C-BOARD, 400X800X800H
588612	MBAAGBDDAO	c	1/1 GN, C-BOARD, 400X850X700H
589266	MCAAEADDAO	d	1/1 GN, 400X900X700H
589267	MCAAEBDDAO	d	1/1 GN, C-BOARD, 400X900X700H
589435	MCAAFADDAO	e	1/1 GN, 400X900X800H
589436	MCAAFBDDAO	e	1/1 GN, C-BOARD, 400X900X800H
588189	MAADEAHDAO	f	2/1 GN, 800X800X700H
588190	MAADEBHDAO	f	2/1 GN, C-BOARD, 800X800X700H
588283	MAADFAHDAO	g	2/1 GN, 800X800X800H
588284	MAADFBHDAO	g	2/1 GN, C-BOARD, 800X800X800H
588615	MBADGBHDAO	h	2/1 GN, C-BOARD, 800X850X700H
589272	MCADEAHDAO	i	2/1 GN, 800X900X700H
589273	MCADEBHDAO	i	2/1 GN, C-BOARD, 800X900X700H
589441	MCADFAHDAO	j	2/1 GN, 800X900X800H
589442	MCADFBHDAO	j	2/1 GN, C-BOARD, 800X900X800H
589818	MCAGEAD1DM	k	MARINE* 1/1 GN, 400X900X700
589819	MCAHEAHIDM	l	MARINE* 2/1 GN, 800X900X700

Page	Index	Last Updates	Page
2	Multibraiser 1/1 GN	Ed. 01/2015	all
5	Multibraiser 2/1 GN	Ed. 06/2015	all

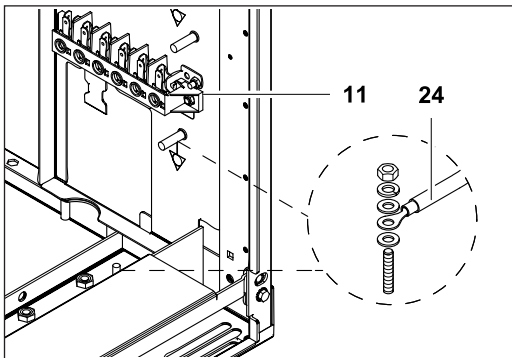
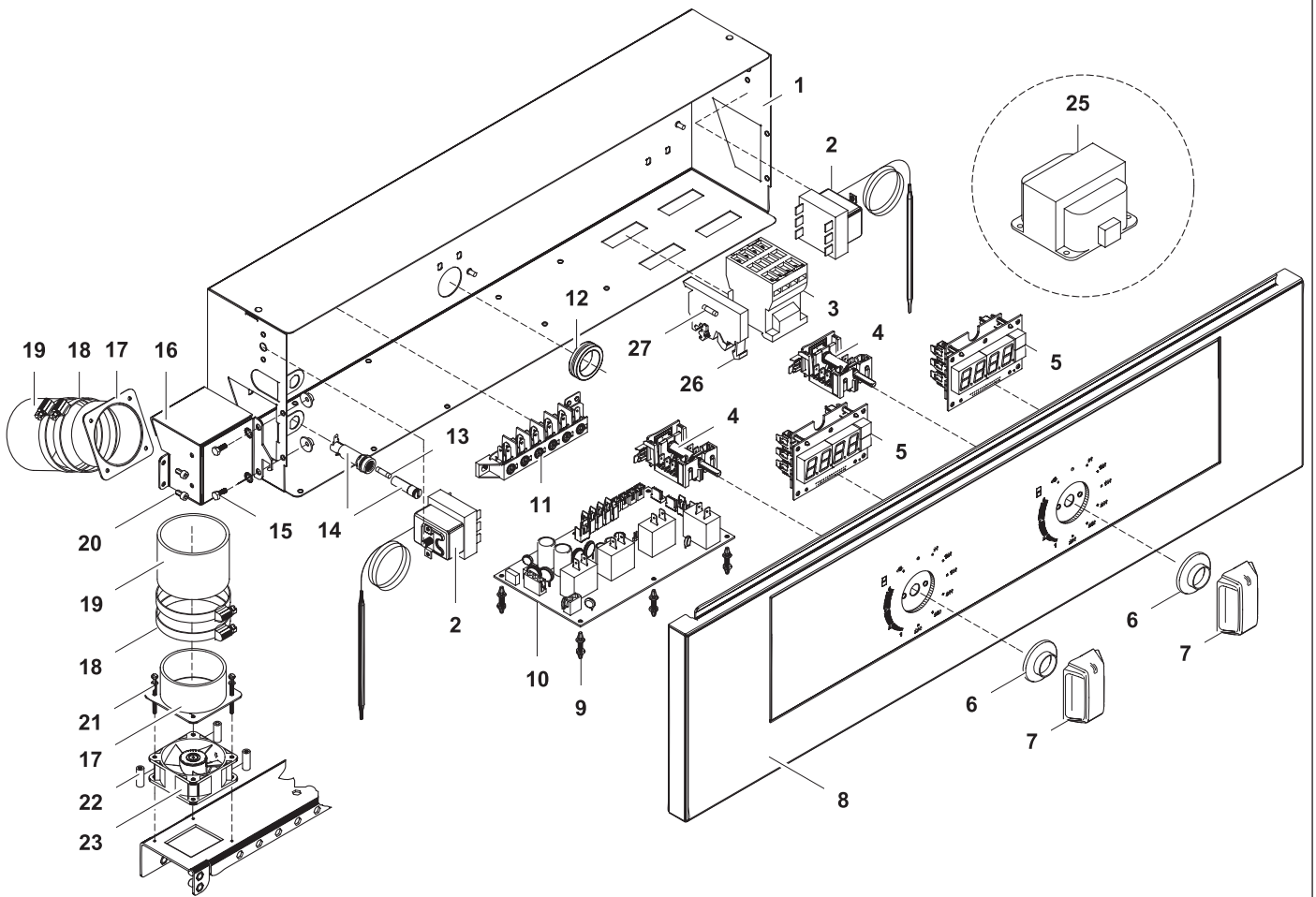
Valid from Ser. N° 3101....



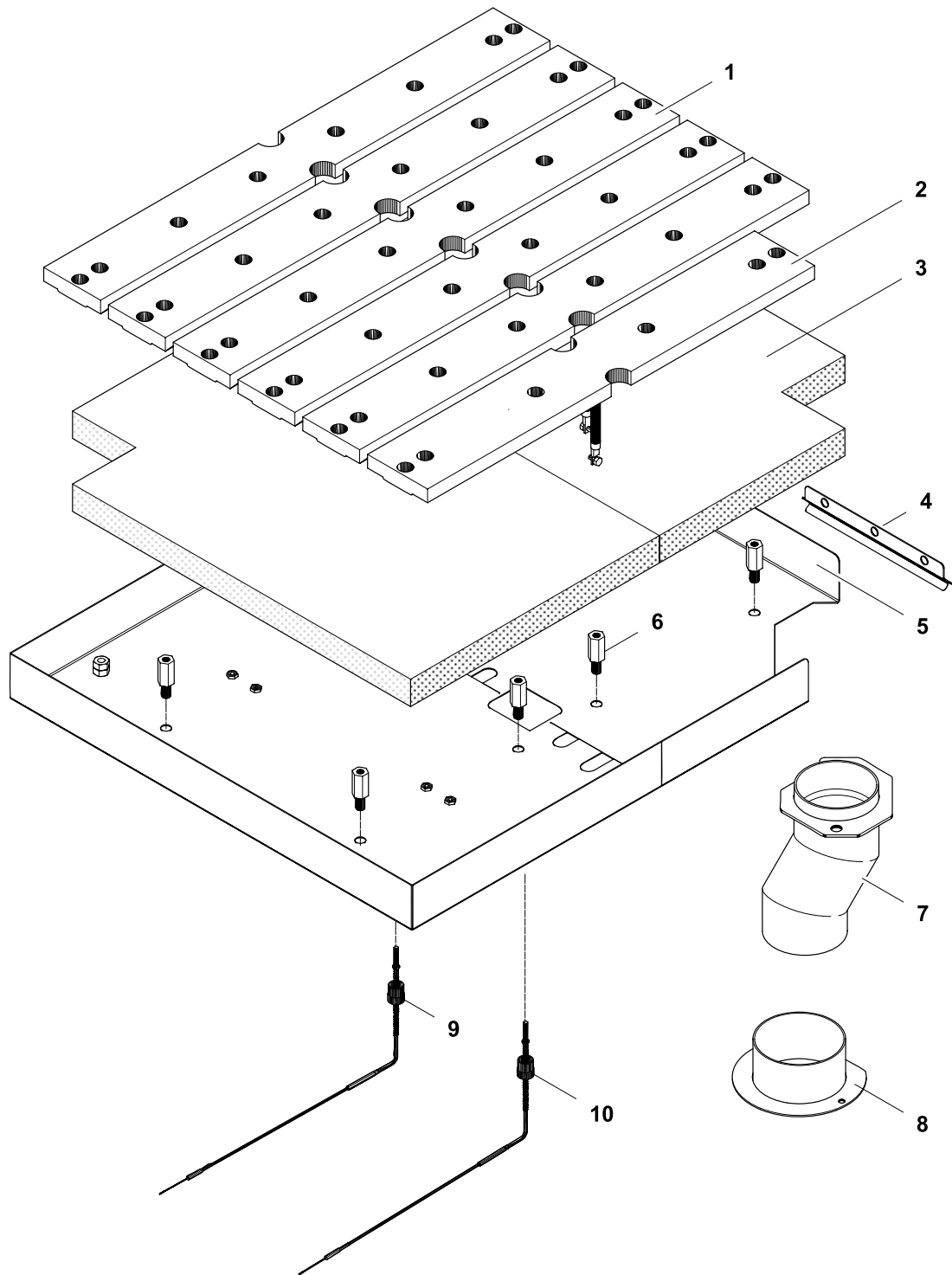
1	Alias	Code	Bezeichnung	Description	Ref.	Valid from Serial N°
1	82.3010	*	Elektrobox	Electrical compartment	a b c d e k	
2	712 044961.17	OKT854	Kabeltülle Ø25/Ø31/Ø35	Cable sleeve Ø25/Ø31/Ø35	a b c d e k	
3	1 115 1757	OG4645	Schütz K3-14X027 + K2-E230	Contacteur K3-14X027 + K2-E230	a b c d e k	
4	82.7023	058613	Klemme FV122	Cable terminal FV122	a b c d e k	
5	82.9115.xx	OG6305	EUROTAS Display Multibraiser	EUROTAS Display Multibraiser	a b d e k	
6	82.9053	004269	Sicherheitsthermostat 360°C-25K	Safety thermostat 360°C-25K	a b c d e k	
7	75.0011	OC1605	Energierегler 230V	Energy regulator 230V	a b c d e k	
8	82.9124.05	OG6373	Drehgriff mit Adapter 180°x6.0	Handle with adapter 180°x6.0	a b c d e k	
9	82.7009	OG6247	Dichtung Drehgriff	Sealing for handle	a b c d e k	
10	82.1027.59	*	Bedienblende Multibraiser 1/IGN	Control panel Multibraiser 1/IGN	a b d e k	
	82.1049.81	*	Bedienblende INOX Multibraiser 1/IGN	Control panel INOX Multibraiser 1/IGN	c	
	72.5938.04	OKI362	Anzeigelampe, grün	Indicator light, green	c	
	72.5938.08	OKI364	Einsteckfassung, grün/gelb, Ø10mm	Lamp holder, green/yellow, Ø10mm	c	
	72.5938.03	OKI361	Anzeigelampe, klar	Indicator light, clear	c	
	72.5938.07	OKI363	Einsteckfassung, klar, Ø10mm	Lamp holder, clear, Ø10mm	c	
11	62.1506	OG2759	Drehwinkelschalter	Rotary switch	a b d e k	
12	82.9095	OG6393	Potentiometer 10 für Display	Potentiometer 10 for display	a b d e k	
13	82.7359	002109	Schalter mit Thermostat 80-270°C	Thermostat switch 80-270°C	a b c d e k	
14	82.9114	OG6319	Schalter off-line 3/4+Regler 260°C+10K Poti	Assembled switch 260°C+10K Potentiometer	a b d e k	
15	82.9174	OG6750	Relais 230V SCHRACK	Relay 230V SCHRACK	a b d e k	
16	82.9030	OG6075	DC Power Supply 12V	DC Power Supply 12V	a b d e k	
17	82.7023	058613	Klemme FV122	Cable terminal FV122	a b c d e k	
18	82.9103	OG6424	Kabel Haupterd draht L400 6mm²	Main earthing cable L400 6mm²	a b c d e k	
19	82.7159	OG6274	Ventilator 60x60x25 622HH (3.5W)	Cooling fan 60x60x25 622HH (3.5W)	a b c d e k	
20	82.3009	*	Halteblech Ventilator	Cooling fan support	a b c d e k	
	1 701 1083	OG5755	Zylinderschraube M3x30	Socket cap screw M3x30	a b c d e k	
	1 701 3540	2K1478	Unterlegscheibe M3	Washer M3	a b c d e k	
21	82.9209	006710	Autotransformator 0-240-400-440V 150VA	Autotransformer 0-240-400-440V 150VA	k	
22	87.9204	OC2228	Sicherungshalter 6.3X32 500V	Fuse holder 6.3X32 500V	k	
23	82.9171	OTTR73	Sicherung 6.3X32 0.63A 500V	Fuse 6.3X32 0.63A 500V	k	
24	75.2012.01	OK5155	Sicherungsklemme	Fuse holder terminal	k	
25	2 344362.01	OG5814	Sicherung 5X20 1 00 A	Fuse 5X20 1 00 A	k	



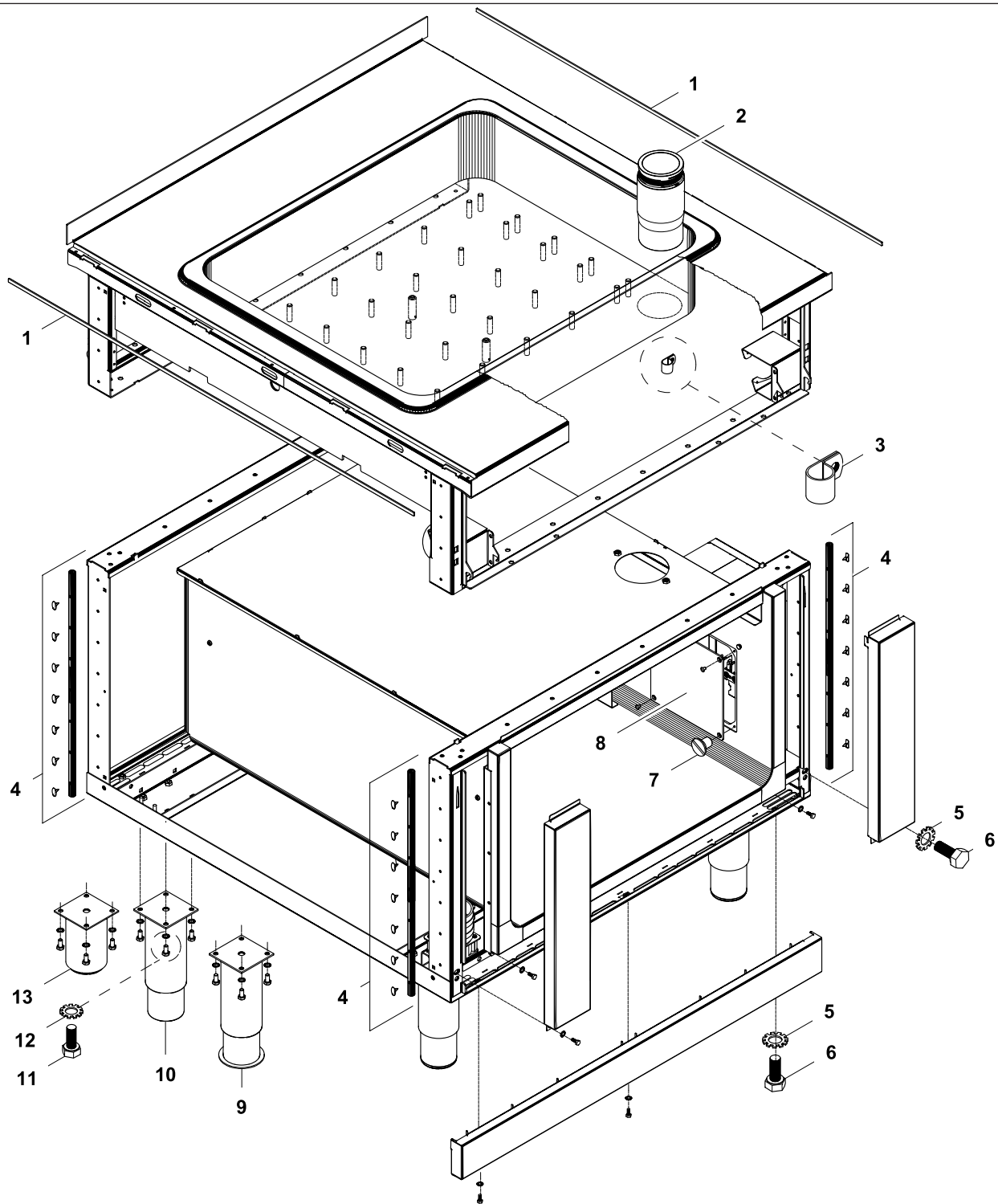
2	Alias	Code	Bezeichnung	Description	Ref.	Valid from Serial N°
1	82.7464	OC2496	Dichtband (Schaumstoff-Silikon, klebend)	Sealing strip	a b c d e k	
2	82.7343	OC9001	Stöpsel Bratherd	Plastic stopper, Multibraiser	a b c d e k	
3	82.2466	051383	Kapillarrohr Befestigung	Capillary probe holder	a b c d e k	
4	1 701 7002	OG2923	Fächerscheibe M5	Fan washer M5	a b c d e k	
5	712 044120.05	OG3998	Sechskantmutter M5	Hex nut M5	a b c d e k	
6	1 115 1635	OT1791	Abschirmschelle K-8104 für Kabel Ø11,1	Screening bracket K-8104 for cable Ø11,1	a b c d e k	
7	82.7475.01	OG6751	Heizung 3x1.67kW/230V (400V/5kW/7.2A)	Heating 3x1.67kW/230V (400V/5kW/7.2A)	a b c d e	
	82.7475.03	OG6752	Heizung 3x1.67kW/208V (208V/5kW/13.9A)	Heating 3x1.67kW/208V (208V/5kW/13.9A)	(UL)	
	82.7475.07	OG6883	Heizung 3x1.67kW/254V (440V/5kW/6.6A)	Heating 3x1.67kW/254V (440V/5kW/6.6A)	k	
8	82.2470	*	Heizung Rahmen	Heating frame	a b c d e k	
9	82.2469	*	Heizung Halter	Heating support	a b c d e k	
10	82.2468	*	Ablaufblech	Drain support	a b c d e k	
11	82.7341	OC2831	Ablaufrohr, geschweißt	Drain pipe, welded	a b c d e k	
12	82.7342	053829	Dichtungsmanschette Ø86/61	Sealing collar Ø86/61	a b c d e k	
13	82.7334	OG6396	Dichtung Geräte seitwärts (NM)	Side-sealing strip	a b c d e k	
14	1 701 7002	OG2923	Fächerscheibe M5	Fan washer M5	a b c d e k	
15	1 701 2507	OG4653	Sechskantschraube M5x16	Hex bolt M5x16	a b c d e k	
16	83.3728	OG6886	Stellfuß 2" Marine 145-252mm	Adjustable feet 2" Marine 145-252mm	k	
17	86.0001	OG5391	Stellfuß 2" 145-252mm rund	Adjustable feet 2" 145-252mm, round	a c d	
18	1 701 2600	OKT919	Sechskantschraube M6x12	Hex bolt M6x12	a b c d e k	
19	1 701 5051	OG6753	Fächerscheibe M6	Fan washer M6	a b c d e k	
20	86.2385	OG6140	Stellfuß 2" 100mm	Adjustable feet 2" 100mm	b e	



3	Alias	Code	Bezeichnung	Description	Ref.	Valid from Serial N°
1	82.3021	*	Elektrobox 800+	Electronic box 800+	f g h i j l	
2	62.1527	OG2825	Sicherheitsthermostat 295°C-20K	Safety thermostat 295°C-20K	f g h i j l	
3	1 115 1757	OG4645	Schütz K3-14x027	Conductor K3-14x027	f g h i j l	
4	82.9018	OG6310	Schalter off-line 5 Stufen + 10k Potentiometer	Switch off-line 5 steps + 10k potentiometer	f g h i j l	
5	82.7015	OG6246	EUROTAS Display	EUROTAS display	f g i j l	
6	82.7009	OG6247	Dichtung Drehgriff	Sealing for handle	f g h i j l	
7	82.9124.01	OG6369	Drehgriff mit Adapter 0°x6.0	Handle with adapter 0°x6.0	f g h i j l	
8	82.1027.60	*	Bedienblende Multibraiser 2/1 GN	Control panel Multibraiser 2/1GN	f g i j l	
	82.1049.60	*	Bedienblende INOX Multibraiser 2/1 GN	Control panel INOX Multibraiser 2/1GN	h	
	72.5938.04	OKI362	Anzeigelampe grün	Indicator light, green	h	
	72.5938.08	OKI364	Einsteckfassung grün/gelb Ø10mm	Lamp holder, green/yellow, Ø10mm	h	
	72.5938.03	OKI361	Anzeigelampe klar	Indicator light, clear	h	
	72.5938.07	OKI363	Einsteckfassung klar Ø10mm	Lamp holder, clear, Ø10mm	h	
9	75.5000.05	OG4212	Distanzhalter Kunststoff	Plastic spacer support	f g h i j l	
10	82.7014.KD	OG6221	Mainboard SPARTA	Mainboard SPARTA	f g h i j l	
11	82.7023	058613	Klemme KV122	Cable terminal KV122	f g h i j l	
12	712 044961.17	OKT854	Kabeltülle Ø25/Ø31/Ø35	Cable sleeve Ø25/Ø31/Ø35	f g h i j l	
13	712 344362.01	OG5814	Sicherung 5x20 1AF	Fuse 5x20 1AF	f g h i j l	
14	82.7093	056582	Halter Sicherung	Fuse holder	f g h i j	
	879204	OC2228	Sicherungshalter 6.3X32 500V	Fuse holder 6.3X32 500V	l	
15	1 701 2579	OG4020	Sechskantschraube M5x16	Hex bolt M5x16	f g h i j l	
	1 701 7002	OG2923	Fächerscheibe M5	Fan washer M5	f g h i j l	
	712 044120.05	OG3998	Kepsmutter M5	Hex nut M5	f g h i j l	
16	82.3001	*	Standardventilationsbox links	Ventilation box left	f g h i j l	
17	83.3021	*	Rohrstutzen Ø 60.3	Pipe socket Ø 60.3	f g h i j l	
18	1 201 2105	OG6754	Schlauchschele 60-115mm	Hose clamp 60-115mm	f g h i j l	
19	83.9010	OG6701	Alu-Flexschlauch Ø60/66	Flexible aluminium hose Ø60/66	f g h i j l	
20	1 101 8170	OG3250	Innensechskantschraube M4x8	Allen bolt M4x8	f g h i j l	
21	1 701 1083	OG5755	Zylinderschraube M3x30	Socket cap screw M3x30	f g h i j l	
	1 701 3540	2KI478	Unterlegscheibe M3	Washer M3	f g h i j l	
22	82.0133	OG6755	Verstärkungsrohr Ventilator	Cooling fan support	f g h i j l	
23	82.7159	OG6274	Ventilator 60x60x25 622HH (3.5W)	Cooling fan 60x60x25 622HH (3.5W)	f g h i j l	
24	82.9103	OG6424	Kabel Haupterd draht L400 6mm²	Main earthing cable L400 6mm²	f g h i j l	
25	82.9209	006710	Autotransformator 0-240-400-440V 150VA	Autotransformer 0-240-400-440V 150VA	l	
26	75.2012.01	OK5155	Sicherungsklemme	Fuse holder terminal	l	
	75.2012.02	OT2599	Sicherungsklemme Abschlusswand	Cover for fuse holder terminal	l	
27	712 344362.01	OG5814	Sicherung 5x20 1A	Fuse 5x20 1A	l	



4	Alias	Code	Bezeichnung	Description	Ref.	Valid from Serial N°
1	86.7004.01	<a href="#">OG4604</a>	Heizelement 230V - 1.7kW	Heating element 230V - 1.7kW	f g h i j l	
2	86.7005.01	<a href="#">OG4606</a>	Heizelement 230V - 1.7kW (kurz)	Heating element 230V - 1.7kW (short)	f g h i j l	
3	82.7263	<a href="#">OG6756</a>	Isolation Heizelement	Heating element insulation	f g h i j l	
4	82.2462	*	STB Halter	Capillary probe holder	f g h i j l	
5	82.2244	*	Abdeckung Isolation	Insulation cover	f g h i j l	
6	1 115 1772	<a href="#">OG4896</a>	Distanzhalter M8x25	Hexagon head spacer M8x25	f g h i j l	
7	82.7214	*	Ablaufstutzen	Drain pipe	f g h i j l	
8	62.4202	*	Rohr Ablauf - Bratherd	Drain flange	f g h i j l	
9	87.9045	<a href="#">OG5935</a>	TC Boden Sensor blau	TC bottom sensor, blue	f g h i j l	
10	87.9046	<a href="#">OG5934</a>	TC Boden Sensor grün	TC bottom sensor, green	f g h i j l	



5	Alias	Code	Bezeichnung	Description	Ref.	Valid from Serial N°
1	82.7464	<b>OC2496</b>	Dichtband (Schaumstoff-Silikon, klebend)	Sealing strip	f g h i j l	
2	82.7343	<b>OC9001</b>	Stöpsel Bratherd	Plastic stopper Multibraiser	f g h i j l	
3	1 115 1635	<b>OT1791</b>	Abschirmschelle K-8104 für Kabel Ø 11,1	Screening bracket K-8104 for cable Ø 11,1	f g h i j l	
4	82.7334	<b>OG6396</b>	Dichtung Geräte seitwärts (NM)	Side-sealing strip	f g h i j l	
5	1 701 7002	<b>OG2923</b>	Fächerscheibe M5	Fan washer M5	f g h i j l	
6	1 701 2507	<b>OG4653</b>	Sechskantschraube M5x16	Hex bolt M5x16	f g h i j l	
7	1 1701 1145	<b>OG6758</b>	Senkkopfschraube M4x6	Countersunk screw M4x6	f g h i j l	
8	82.0223.01	<b>OG6757</b>	Deckel Servicefenster	Cover plate	f g h i j l	
9	83.3728	<b>OG6886</b>	Stellfuß 2" Marine 145-252mm	Adjustable feet 2" Marine 145-252mm	l	
10	86.0001	<b>OG5391</b>	Stellfuß 2" 145-252mm rund	Adjustable feet 2" 145-252mm, round	f h i	
11	1 701 2600	<b>OKT919</b>	Sechskantschraube M6x12	Hex bolt M6x12	f g h i j l	
12	1 701 5051	<b>OG6753</b>	Fächerscheibe M6	Fan washer M6	f g h i j l	
13	86.2385	<b>OG6140</b>	Stellfuß 2" 100mm	Adjustable feet 2" 100mm	g j	

\* Components on demand  
\* Teile auf Anfrage