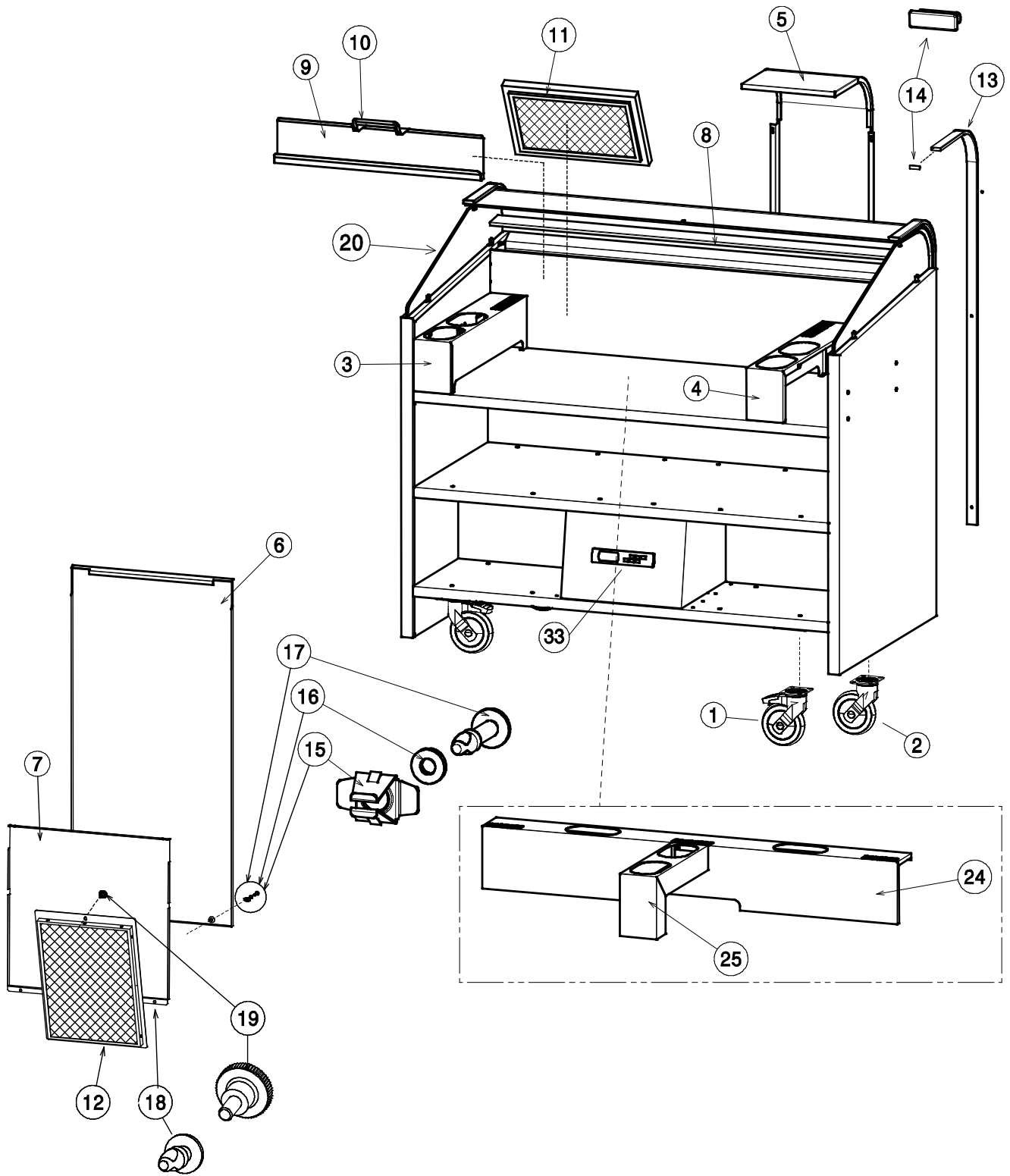

PNC	MODEL	Ref	DESCRIPTION
351060	NELP2	A	LIBERO POINT 2 POSITIONS 4 CE SCHUKO
351061	NELP2HP	B	LIBERO POINT HP 2 POSITIONS +2 CE SCHUKO
351062	NELP3	C	LIBERO POINT 3 POSITIONS 4 CE SCHUKO
351063	NELP3HP	D	LIBERO POINT HP 3 POSITIONS +2 CE SCHUKO
351064	NELP2G	E	LIBERO POINT 2 POSITIONS 4 UK PLUGS
351065	NELP3G	F	LIBERO POINT 3 POSITIONS 4 UK PLUGS
351066	NERLP2	G	LIBERO POINT REFRIGERATED 2 POSITIONS 4 CE SCHUKO
351067	NERLP2HP	H	LIBERO POINT HP REFRIGERATED 2 POSITIONS +2 CE SCHUKO
351068	NERLP2G	I	LIBERO POINT REFRIGERATED 2 POSITIONS 4 UK PLUGS
351069	NERLP3	J	LIBERO POINT REFRIGERATED 3 POSITIONS 4 CE SCHUKO
351070	NERLP3HP	M	LIBERO POINT HP REFRIGERATED 3 POSITIONS +2 CE SCHUKO
351071	NERLP3G	N	LIBERO POINT REFRIGERATED 3 POSITIONS 4 UK PLUGS
351072	ELP2U	O	LIBERO POINT 2 POSITIONS -2 NEMA 6-20
351073	ELP3U	P	LIBERO POINT 3 POSITIONS -3 NEMA 6-20

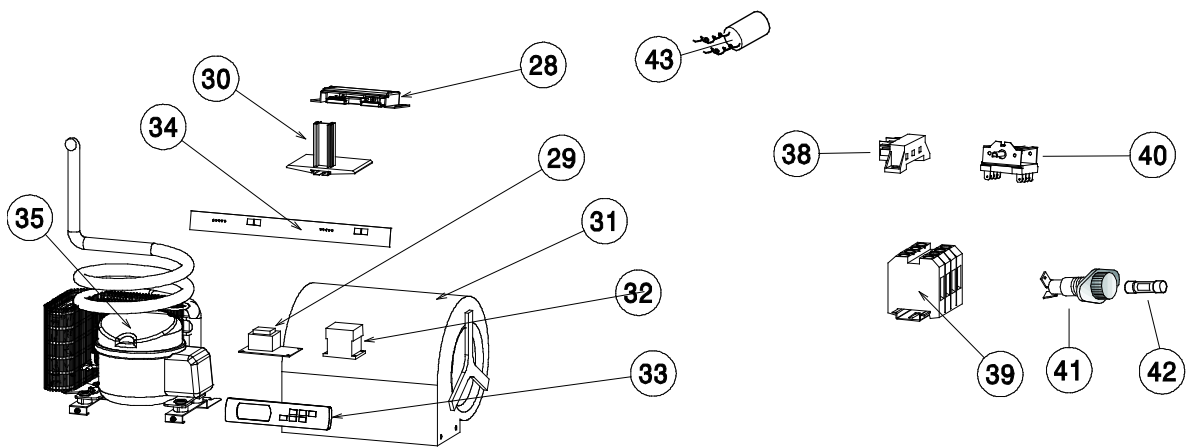
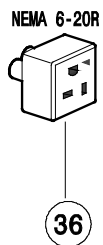
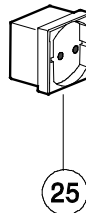
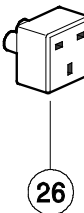
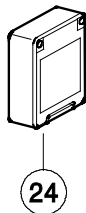
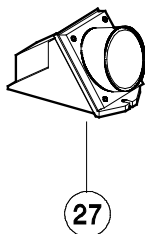
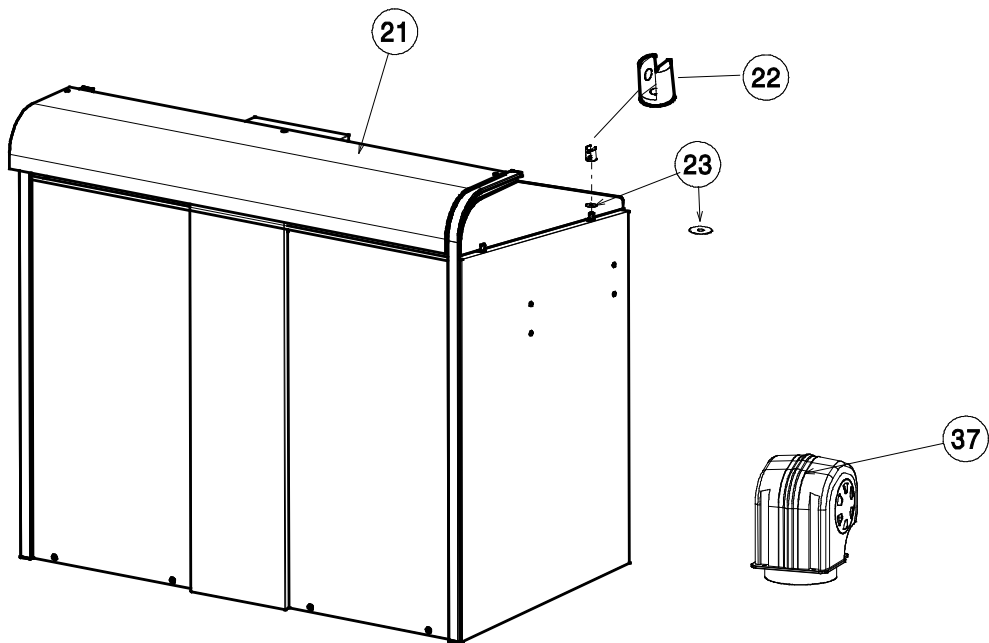
Pag	Index	Indice	Note
2,3	General components	Componenti struttura	
4	Refrigerated Draw & spare parts	Cassetto refrigerato e ricambi	
5	Spare parts list	Lista ricambi	

Da Ser. Nr. / From Ser. Numb. : 421 (2014-wk21)
Document review . 2015 - 12

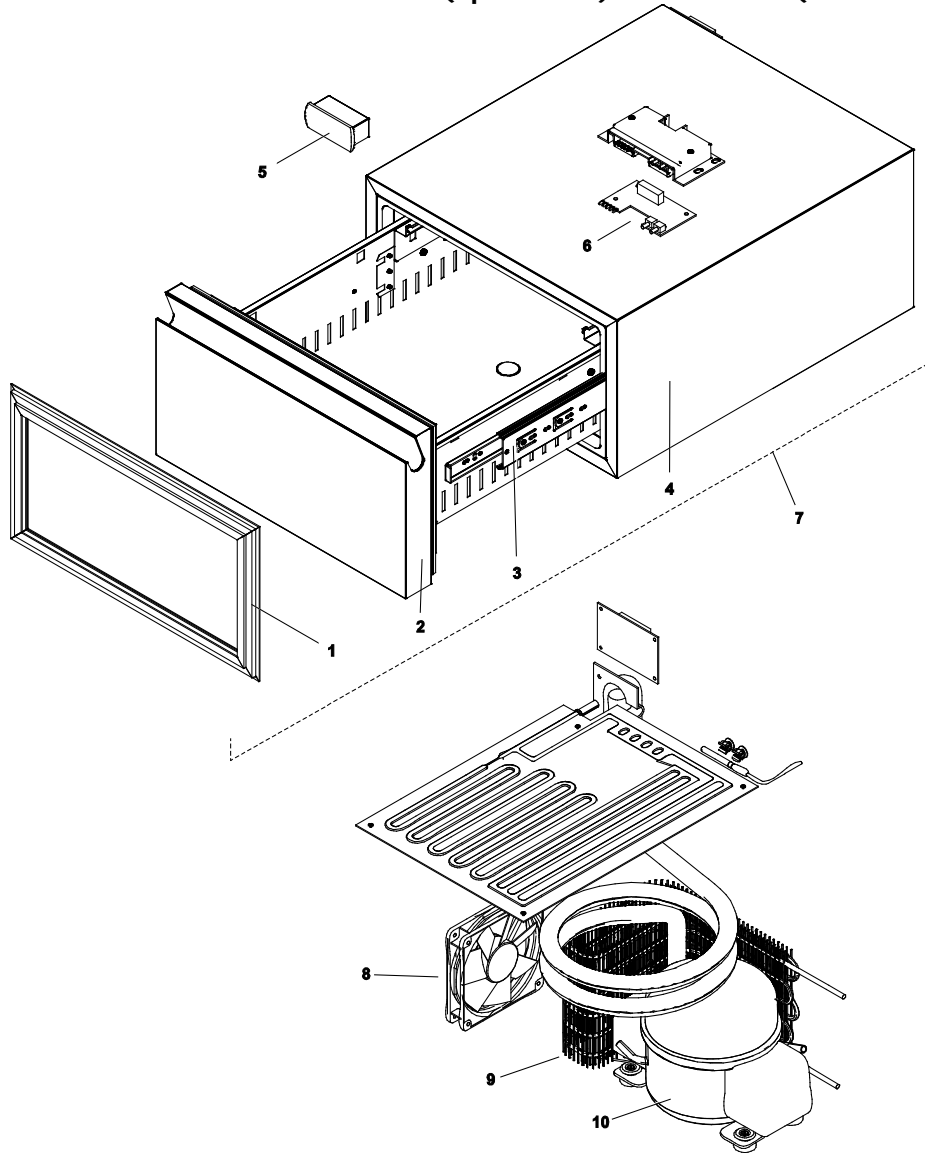
PAGE: 1

Doc. 59989WY00





**Components of refrigerated Draw with integrated cooling unit
PRODUCTION CODE 835T00901 (up to 5301)/ 835T00902 (from 5311)**



Art	Factory Code	Spare part Code	Descrizione	Description	Ref. /Notes
1	*	*	Guarnizione cassetto	Draw gasket	
2	500.3002	*	Porta, cassetto	Draw door	Only front panel
3	126037.V	*	Coppia guide cassetto	Pair of draw runners	Left and right
4	500.175	*	Cassetto coibentato	Draw cabinet	Elux
5	502.1053.S 648T00000	0C9964	Termoregolatore, display	Thermoregulator, display	CS051
6	502.1055 648T00200	0C9963	Termoregolatore, scheda alimentaz.	Thermoregulator, main board	Cover is supplied too
7	128280.C	*	Cassetto completo	Complete draw assembly	Elux
8	10435	*	Venilatore	Motor ventilator	120x25
9	10227 / A	*	Condensatore	Condenser	
10	101068	094361	Compressore LG TS24LATG	Compressor	LG TS24LATG

Da Ser. Nr. / From Ser. Numb. : 421 (2014-wk21)
Page review . 2014 - 06

PAGE: 4

Doc. 59989WY00

PNC		Ref	PNC	Ref	PNC	Ref	PNC	Ref
351060		a	351064	e	351068	i	351072	o
351061		b	351065	f	351069	l	351073	p
351062		c	351066	g	351070	m		
351063		d	351067	h	351071	n		
Art	Factory Code	Spare part Code	Descrizione	Description	Ref. /Notes			
1	835T00J00	0C9925	Ruota Con Freno	Wheel With Break	Up to 5511			
1	835878X00	*	Ruota Con Freno	Wheel With Break	From 5521			
2	835T00800	0C9924	Ruota Senza Freno	Wheel Without Break	Up to 5511			
2	835878W00	*	Ruota Senza Freno	Wheel Without Break	From 5521			
3	500T01Y01	0PE495	Porta Baccinelle Sinistro	Left Basins Support	a,c,e,f,g,i,l,n,o,p			
4	500T01X01	0PE494	Porta Baccinelle Destro	Right Basins Support	a,c,e,f,g,i,l,n,o,p			
5	509T00501	0PE487	Colonna Centrale	Central Column	ALL			
6	509T00901	0PE502	Pannello estetico LP3	Aesthetic panel LP3	c,d,f,l,m,n,p			
6	509T00F01	0PE501	Pannello estetico LP2	Aesthetic panel LP2	a,b,e,g,h,i,o			
7	504T00C01	0C9921	Pannello di copertura LP3	Cover panel LP3	c,d,f,l,m,n,p			
7	504T00U01	0C9922	Pannello di copertura LP2	Cover panel LP2	a,b,e,g,h,i,o			
8	504T00M01	0PE489	Chiusura Filtri LP3	Filters Cover LP3	c,d,f,l,m,n,p			
8	504T00V01	0PE488	Chiusura Filtri LP2	Filters Cover LP2	a,b,e,g,h,i,o			
9	500T01N01	0PE472	Raccogli Grassi LP3	Grease Basin LP3	c,d,f,l,m,n,p			
9	504T01100	0PE471	Raccogli Grassi LP2	Grease Basin LP2	a,b,e,g,h,i,o			
10	514T00601	*	Maniglia per raccogli grasso	Handle	ALL			
11	500T01501	0PE745	Filtro multistadio labirinto/rete	Filter (metal mesh)	ALL			
12	830T00K00	0PE731	Filtro Carboni attivi	Carbon Filter	ALL			
13	509T00801	*	Montante laterale	Side rail	ALL			
14	541T00300	0PE470	Tappo per montante	Rail plug	ALL			
15	518T00200	*	Ricettacolo per vite 1/4 di giro	Screw bush	ALL			
16	549T00100	*	Distanziale	Spacer	ALL			
17	518T00100	*	Vite 1/4 di giro l=16mm	Screw 16mm				
18	518T00000	*	Vite 1/4 di giro l=26mm	Screw 26mm				
19	511T00300	0PE481	Perno chiusura filtri	Filter stopper (pin)	ALL			
20	574T00101	0PE475	Vetro laterale (6mm)	Lateral glass (6mm)	ALL			
21	574T00001	0PE467	Vetro Curvo LP3	Curved Glass LP3	c,d,f,l,m,n,p			
21	531323501	0PE466	Vetro Curvo LP2	Curved Glass LP2	a,b,e,g,h,i,o			
22	511T00201	*	Reggivetto	Shelf Support	ALL			
23	549T00000	*	Rondella trasparente	Trasparent washer	ALL			
24	699T00400	0PE476	Contentitore Stagno	Watertight Container	a,b,c,d,e,f,g,h,i,l,m,n			
25	699T00600	0PE484	Presca Elettrica Shuko	Shuko Socket	a,b,c,d,g,h,l,m			
26	699T00500	0PE483	Presca Elettrica Inglese	English Socket	e,f,i,n			
27	699T00200	0PE482	Presca Elettrica trifase (CEE 309-16A)	Three-Phases Socket (CEE 309 -	b,d,h,m			
28	648T00000	*	Interfaccia utente cassetto refrigerato	User interface refrigerated units	g,h,i,l,m,n			
29	648T00200	*	Scheda Power cassetto refrigerato	Power unit refrigerated units	g,h,i,l,m,n			
30	648T00300	*	Scheda alimentazione LP	Power unit LP	a,b,c,d,e,f,g,h,i,l,m,n			
31	682T00100	0PE480	Ventilatore	Blower	a,b,c,d,e,f,g,h,i,l,m,n			
32	648727100	*	Teleruttore	Rele'	g,h,i,l,m,n			
33	648T00400	*	Interfaccia utente LP	User interface LP	a,b,c,d,e,f,g,h,i,l,m,n			
34	548T00001	*	Membrana LP refrigerato	Front panel	g,h,i,l,m,n			
35	805T00600	*	Gruppo frigorifero	Cooling unit	g,h,i,l,m,n			
36	699802D00	*	Presca Elettrica Nema 6-20	Nema 6-20 socket	o,p			
37	682T00200	*	Ventilatore UL	Ventilator UL	o,p			
38	639804900	046357	Morsettiera Fv110	Terminal board	o,p			
39	639812401	0C4820	Morsettiera 35mm^2	Terminal board	o,p			
40	A05443500	0A2241	Interuttore trifase	On/off switch (3 fase)	o,p			
41	652801900	004010	Portafusibile	Fuse holder	o,p			
42	652804600	0C2954	Fusibile 20A	Fuse 20°	o,p			
43	648R02800	091870	Condensatore spunto motoventilatore	Start condenser motorventilator				

Da Ser. Nr. / From Ser. Numb. : 421 (2014-wk21)

Page review . 2015 - 12

PAGE: 5

Doc. 59989WY00