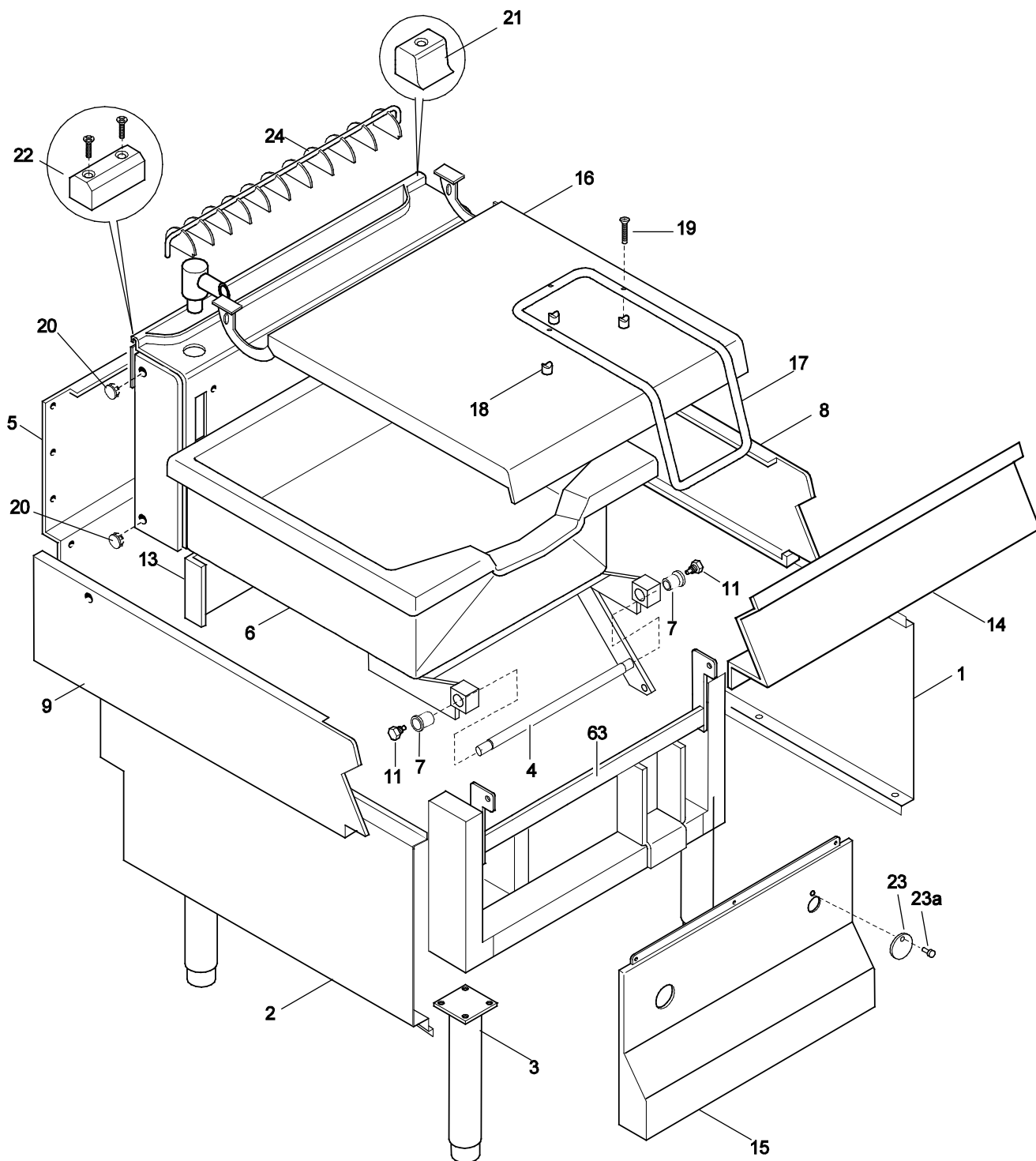


PNC	Model	Ref	Version	Description
200301	KBR/G2F	a	GAS	Brat Pan gas 80L Mild Steel
200302	KBR/G2C	b	GAS	Brat Pan gas 80L Compound
200303	KBR/G3F	c	GAS	Brat Pan gas 100L Mild Steel
200304	KBR/G3FH	d	GAS	Brat Pan gas 100L Mild Steel Aut.Tilting
200305	KBR/G3C	e	GAS	Brat Pan gas 100L Compound
200306	KBR/G3CH	g	GAS	Brat Pan gas 100L Compound Aut.Tilting
200315	KBR/G2FH	h	GAS	Brat Pan gas 80L Mild Steel Aut.Tilting
200316	KBR/G2CH	m	GAS	Brat Pan gas 80L Compound Aut.Tilting
200319	KBR/G3CJ	n	GAS	Brat Pan gas 100L Compound - JAPAN

Pag	Index	Indice
2	General componets	Componenti struttura
3	Lifting system	Componenti ribaltamento
4	Gas components	Componenti gas
5,6,7	Spare parts list & Gas	Lista ricambi ed ugelli gas

\* =Component on demand / componente a richiesta

\*\* = Bold text = changes / Grassetto = cambiamenti

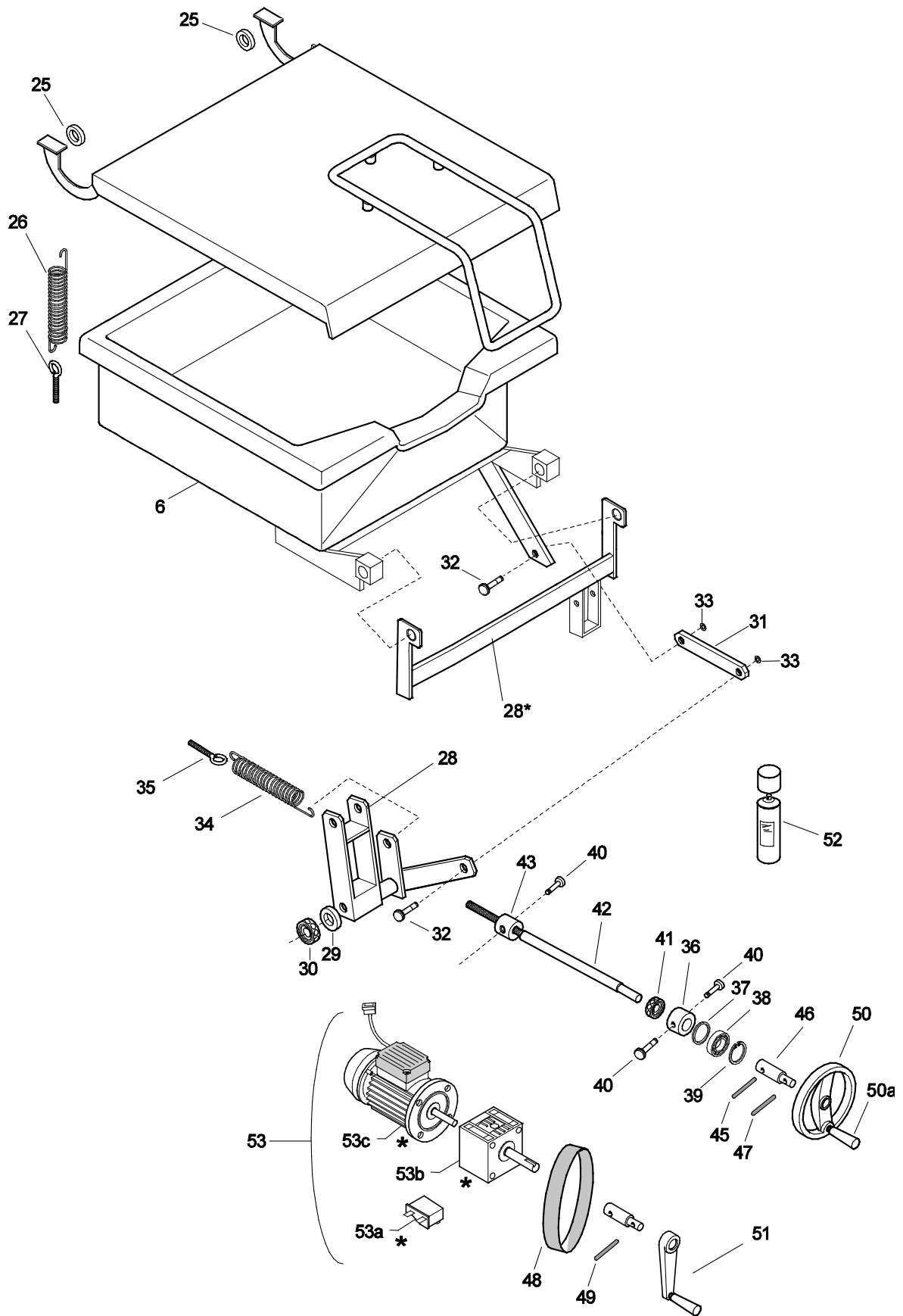


\* =Component on demand / componente a richiesta

\*\* = Bold text = changes / Grassetto = cambiamenti

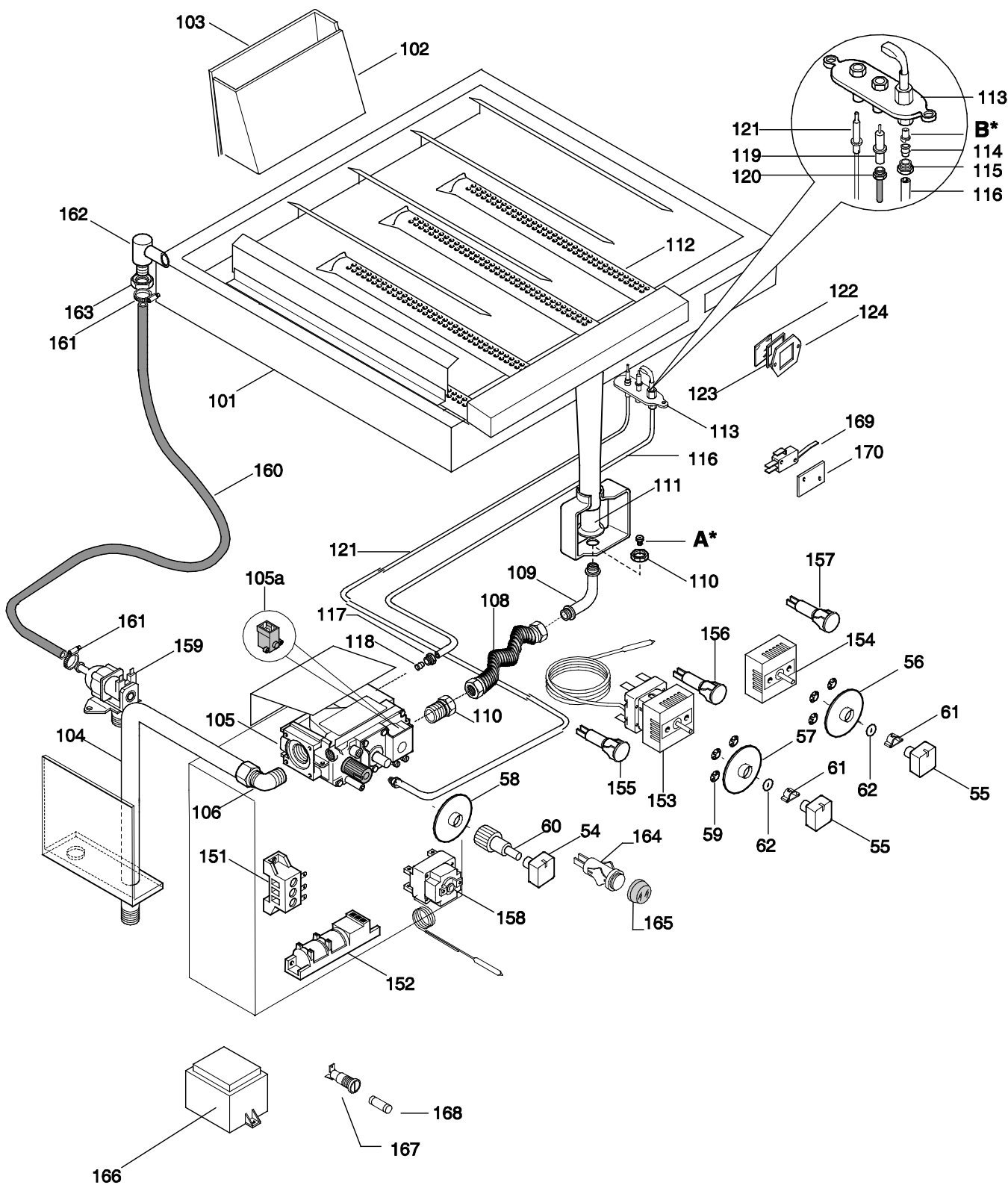
PAG 2 Page Ed.1 / 03 2005

Doc. **2-25801**



\* =Component on demand / componente a richiesta  
 \*\* = Bold text = changes / Grassetto = cambiamenti  
 PAG 3 Page Ed.1 / 09 2015

Doc. 2-25801



\* =Component on demand / componente a richiesta

\*\* = Bold text = changes / Grassetto = cambiamenti

PAG 4 Page Ed.1 / 12 2015

Doc. **2-25801**

## BRASIERA 80 / 100L N900

## BRATT PAN 80 / 100L N900

Pos	Factory Code	Spare Part Code	Descrizione	Description	Ref./Note
1	529873901	0C0642	FIANCO DX BRASIERA N900	PANEL, RIGHT SIDE	
2	529874001	0C0643	FIANCO SX BRASIERA N900	PANEL, LEFT SIDE	
3	835860000	0C0467	GAMBA	LEG	
4	517876800	0C0644	TUBO SUPPORTO VASCA 80L	INGE TUBE, WELL 80lt	a b h m
	517876900	0C0644	TUBO SUPPORTO VASCA 100L	INGE TUBE, WELL 100lt	c d e g
5	529841902	0C0469	SCHIENALE 80lt	REAR PANEL 80lt	a b h m
	529884200	0C0646	SCHIENALE 100lt	REAR PANEL 100lt	c d e g
6	873836001	<b>0C0647</b>	VASCA 80lt FONDO FERRO	WELL, BRAT PAN 80lt MILD STEEL	a h
	873836101	0C0648	VASCA 80lt FONDO COMPOUND	WELL, BRAT PAN 80lt COMPOUND	b m
	873836205	0C0649	VASCA 100lt FONDO FERRO	WELL, BRAT PAN 100lt MILD STEEL	c d TB2005-10
	873836305	0C0650	VASCA 100lt FONDO COMPOUND	WELL, BRAT PAN 100lt COMP.	e g TB2005-10
7	517878100	0C0651	BOCCOLA PER RECIPIENTE	BUSH, WELL	
8	529882303	0C2286	FIANCO DESTRO VASCA	RIGHT SIDE PANEL, WELL	TB2004-15
9	529882403	0C2287	FIANCO SINISTRO VASCA	LEFT SIDE PANEL, WELL	TB2004-15
11	217010204	*	VITE FISSAGGIO TUBO SUPPORTO	SCREW, FIX INGE TUBE	
12	853869801	*	PANNELLO POSTERIORE CAMINO 80lt	REAR PANEL CHIMNEY 80lt	a b h m
	853870001	*	PANNELLO POSTERIORE CAMINO 100lt	REAR PANEL CHIMNEY 100lt	c d e g n
13	529882700	0C2299	SCHIENALE VASCA 80lt	REAR PANEL, 80lt WELL	a b h m
	529882800	0C2300	SCHIENALE VASCA 100lt	REAR PANEL, 100lt WELL	c d e g n TB 2004-15
14	853869501	0C0658	CRUSCOTTO 80lt	CONTROL PANEL 80lt	a b
	853873401	0C1636	CRUSCOTTO 80lt SOLLEV. AUTOM.	CONTROL PANEL 80lt AUTOM.TILTING	h m
	853869600	0C0659	CRUSCOTTO 100lt	CONTROL PANEL 100lt	c e n Util s/n 548..
	529883407	<b>0C8020</b>	CRUSCOTTO 100lt	CONTROL PANEL 100lt	c d n From s/n 549..
	853873501	0C1637	CRUSCOTTO 100lt SOLLEV. AUTOM.	CONTROL PANEL 100lt AUTOM.TILTING	d g Util s/n 548..
	530809304	0C3341	CRUSCOTTO 100lt SOLLEV. AUTOM.	CONTROL PANEL 100lt AUTOM.TILTING	e g From s/n 549..
15	529884000	0C0660	PANNELLO ANTERIORE BR 80L	FRONT PANEL	a b h m
	529884100	0C0661	PANNELLO ANTERIORE BR 100L	FRONT PANEL	c d e g n
16	873836402	0C0662	COPERCHIO 80lt	LID, 80lt	a b h m
	873836502	0C0663	COPERCHIO 100lt	LID, 100lt	c d e g n
17	517880200	0C0665	MANIGLIA COPERCHIO	HANDLE, LID	
18	517856900	<b>004468</b>	DISTANZIALE x MANIGLIA	SPACER, LID	
19	217223605	<b>0C0950</b>	VITE x FISSAGGIO MANIGLIA	SCREW, HANDLE	
20	509801300	0C0676	TAPPO CROMATO	CHROME TAP	
21	541810600	0C0187	TAPPO POSTERIORE RIPIANO	STOPPER	
22	516860700	0C0137	PIASTRINA x GIUNZIONE	JOINTING REAR PLATE	
23	508837201	<b>002534</b>	SPORTELLINO, SOLLEV. AUTOM.	DOOR, AUTOM.TILTING	h m d g
23a	214473001	026197	PERNETTO FISSAGGIO SPORTELLINO	PIN, DOOR AUTOM. TILTING	h m d g
24	510819801	0C0508	GRIGLIA CAMINO	GRID FOR CHIMNEY	
25	517878200	0C0664	BOCCOLA x COPERCHIO	BUSH, LID	
26	516865201	<b>0C0666</b>	MOLLA COPERCHIO	SPRING, LID	
27	A05144900	<b>0A2551</b>	TIRANTE MOLLA 80lt	SCREW, SPRING 80lt	a b h m
	516875200	<b>0C1640</b>	TIRANTE MOLLA 100lt	SCREW, SPRING 100lt	c d e g n TB 2004-15
28	830899500	0C0667	LEVA SOLLEVAMENTO	LEVEL, TILTING	
28*	830899603	<b>0C9102</b>	STRUTTURA ANTERIORE	FRONT SUPPORT STRUCTURE	80 LT
28*	830899703	0C4361	STRUTTURA ANTERIORE	FRONT SUPPORT STRUCTURE	100 LT
29	516864900	*	SUPPORTO CUSCINETTO	SUPPORT, BEARING	
30	835834700	<b>056820</b>	CUSCINETTO RADIALE	BEARING	
31	512817701	0C0668	BIELLA	CONNECTING ROD	
32	516868200	0C0669	PERNO X BIELLA	PIN, ROD	
33	219001411	<b>0C0670</b>	ANELLO ELASTICO	ELASTIC RING	
34	516865100	0C0671	MOLLA RECIPIENTE	SPRING, WELL	
35	A05144900	<b>0A2551</b>	VITE AD OCCHIELLO PER MOLLA	EYED-SCREW, SPRING	
36	516825500	<b>0C0672</b>	SUPPORTO VITE SOLLEVAMENTO	SUPPORT, SCREW TILTING	a b c e n
	516870800	0C2169.	SUPPORTO VITE SOLLEV. AUTOM.	SUPPORT, SCREW AUTOM. TILT.	h m d g
37	543820900	<b>0C0673</b>	GUARNIZIONE	GASKET	
38	835834700	<b>056820</b>	CUSCINETTO RADIALE	BEARING	

\* =Component on demand / componente a richiesta

\*\* = Bold text = changes / Grassetto = cambiamenti

## BRASIERA 80 / 100L N900

## BRATT PAN 80 / 100L N900

Pos	Factory Code	Spare Part Code	Descrizione	Description	Ref./Note
39	A05166500	0A2592	SEEGER	RING	
40	214126800	<b>051365</b>	PERNO	PIN	
41	835834600	<b>056821</b>	CUSCINETTO ASSIALE	BEARING	
42	516865400	0C0674	VITE SOLLEVAMENTO	SCREW, TILTING	a b c e n
	516870600	0C1641	VITE SOLLEVAMENTO AUTOM.	SCREW, AUTOMATIC TILTING	h m d g
43	516865301	<b>0C0675</b>	MADREVITE SOLLEVAMENTO	NUT SCREW	
45	A05214500	*	SPINA ELASTICA	ELASTIC PIN	
46	514897701	<b>002355</b>	PROLUNGA VOLANTINO	EXTENSION, WHEEL	a b
47	219702241	006841	SPINA	PIN	
48	547800100	<b>002148</b>	CINGHIA MOTORE	BELT, MOTOR	h m
49	516871100	<b>0C1438</b>	PROLUNGA VOLANTINO AUTOM.	EXTENSION, WHEEL AUTOM. TILTING	h m
50	835829000	<b>0A5164</b>	VOLANTINO	HAND-WHEEL	
50a	*	<b>0C3800</b>	MANIGLIA VOLANTINO	HANDLE FOR HAND WHEEL	
51	835832200	002276	MANOVELLA SOLLEVAMENTO	CRANK	
52	167098086	<b>003363</b>	LUBRIFICANTE x MOLLE	LUBRICANT, SPRING	
53	830807501	<b>002793</b>	MOTORIDUTTORE	MOTOREDUCER	h m
53a	694801400	002796	CONDENSATORE DI SPUNTO	START CAPACITOR	h m
53b	680800800	002795	RIDUTTORE DI VELOCITA'	SPEED REDUCER	h m
53c	611804300	002794	MOTORE	MOTOR	h m
54	548857001	0C0465	MANOPOLA	KNOB	
55	548856800	<b>0C0257</b>	MANOPOLA	KNOB	
56	548859001	<b>0C0318</b>	GHIERA	RING NUT	
57	548859300	0C0258	BORCHIA	BOSS	
58	548859600	0C0692	GHIERA	RING, KNOB	
59	218912211	069567	ANELLO DI FISSAGGIO	RING CONNECTION	
60	548852200	<b>004667</b>	PROLUNGA	EXTENSION	
61	214590701	<b>025245</b>	MOLLETTA X MANOPOLA	SPRING	
62	543821000	<b>053816</b>	GUARNIZIONE X MANOPOLA	GASKET	
63	830899603	<b>0C9102</b>	STRUTTURA ANTERIORE	FRONT PAN FRAME	80LT
	830899703	0C4361	STRUTTURA ANTERIORE	FRONT PAN FRAME	100LT
101	524890201	0C0693	CAMERA COMBUSTIONE	COMBUSTION CHAMBER	a b h m
101	524890301	0C0694	CAMERA COMBUSTIONE	COMBUSTION CHAMBER	c d e g n
102	524890401	0C0695	ANTERIORE CAMINO BR/G 80L N900	CHIMNEY, FRONT	
102	524890501	0C0696	ANTERIORE CAMINO BR/G 100L N900	CHIMNEY, FRONT	a b h m
103	524890600	0C0697	POSTERIORE CAMINO BR/G 80L N900	CHIMNEY, REAR	c d e g n
103	524890700	0C0698	POSTERIORE CAMINO BR/G 100L N900	CHIMNEY, REAR	
104	806825900	0C0699	NBR ASSIEME RIBALTA BR/G	MANIFOLD	
105	835819901	<b>002903</b>	VALVOLA GAS; SIT 820 NOVA	GAS VALVE; SIT 820 NOVA	
105a	-	<b>0K3020</b>	BOBINA VALVOLA SIT 220/240V 50HZ	COIL GAS VALVE SIT 220/240V 50HZ	
106	515883200	<b>006240</b>	RACCORDO	PIPE FITTING	
107	830873200	<b>002074</b>	RACCORDO	PIPE FITTING	
108	806825300	<b>0C0704</b>	N 900 CP CONDUTT.FLESSIBILE L=300MM GAS	PIPE, GAS, FLEXIBLE	
109	511805801	<b>059375</b>	PORTAUGELLO	NOZZLE	
110	214105101	<b>020997</b>	CONTRODADO	LOCK NUT	
111	215088500	052207	BOCCOLA	BUSH	
112	831802101	0C0700	BRUCIATORE BR/G 80L	BURNER	a b h m
112	831802200	0C0701	BRUCIATORE BR/G 100L	BURNER	c d e g n
113	830884101	<b>005503</b>	BRUCIATORE PILOTA	PILOT BURNER	
114	517808700	<b>059161</b>	BICONO	DOUBLE CONE	
115	214164400	<b>052125</b>	RACCORDO	PIPE FITTING	
116	517882100	0C0702	CONDUTTURA PILOTA BR/G N900	PIPE, PILOT	
117	214164400	<b>052125</b>	RACCORDO	PIPE FITTING	
118	215199700	<b>052127</b>	BICONO	DOUBLE CONE	
119	830863300	<b>059380</b>	ELETTRODO; ACCENSIONE	ELECTRODE	
120	214164101	<b>057960</b>	RACCORDO	PIPE FITTING	
121	830852201	<b>025031</b>	TERMOCOPPIA; M9*1 L 600	THERMOCOUPLE; ALL.600M9*1	

\* =Component on demand / componente a richiesta

\*\* = Bold text = changes / Grassetto = cambiamenti

## BRASIERA 80 / 100L N900

## BRATT PAN 80 / 100L N900

Pos	Factory Code	Spare Part Code	Descrizione	Description	Ref./Note
122	275290025	057400	VETRINO SPIA	INSPECTION GLASS	
123	282217401	057402	GUARNIZIONE	GASKET	
124	206260400	057382	CORNICE	FRAME	
151	639804900	046357	MORSETTIERA	TERMINAL BOARD	
152	624803800	003376	ACCENDITORE	IGNITER	
153	646805801	002109	INTERRUTTORE CON THERMOSTATO	SWITCH WITH THERMOSTAT	
154	699801001	055016	REGOLATORE DI ENERGIA	ENERGY REGULATOR	
155	876800002	005010	LAMPADA SPIA VERDE	PILOT LAMP; GREEN	
156	876800102	005011	LAMPADA SPIA GIALLA	PILOT LAMP; YELLOW	
157	876800201	0C0687	ASSIEME LAMPADA ROSSA TONDA	PILOT LAMP; RED	
158	646812701	0C0270	THERMOSTATO	THERMOSTAT	
159	696804600	0C0688	EL.VALVOLA 10L/M 240V CON FLANGIA	MAGNETIC VALVE	
160	140068006	055445	TUBO GOMMA TELATO 11X18 MM	RUBBER PIPE	
162	835823600	007019	FASCETTA	PIPE CLAMP	
162	831802301	0C0689	GETTO EROGATORE BRASIERA	TAP	
163	516812500	0C0690	CONTRODADO OTTONE DA 3/8"	NUT	
164	640802500	058274	PULSANTE	PUSH BUTTON	
165	548801500	053979	PROTEZIONE	PROTECTION	
166	624805401	005841	TRASFORMATORE	TRANSFORMER	n, 100-200-240V
167	652800401	056582	PORTAFUSIBILE	FUSE HOLDER	n
168	652803200	0C2953	FUSIBILE	FUSE	n, 5X20MM 2,5A
169	640800800	053671	<b>MICRO</b>		
170	246214023	045404	<b>PIASTRINA</b>		
A*	514887800	0A5170	UGELLO	NOZZLE	G20 abhm
A*	516815100	002979	UGELLO	NOZZLE	G25DE abhm
A*	A05659600	059359	UGELLO GAS; DIA. 3,60	NOZZLE	G25 NL abhm
A*	A05659400	0A2475	UGELLO	NOZZLE	G30/G31 abhm
A*	A05178000	0A2301	UGELLO GAS; DIA. 1,95	NOZZLE	G30/G31DE-AT abhm
A*	516815100	002979	UGELLO	NOZZLE	G20 cdegn
A*	A05257200	0C0703	UGELLO DIAM 4,2	NOZZLE	G25DE cdeg
A*	A05257100	0A2306	UGELLO	NOZZLE	G25 NL cdeg
A*	A05659500	059382	UGELLO GAS; DIA. 2,50	NOZZLE	G30/G31 cdeg
A*	A05661900	059418	UGELLO	NOZZLE	G30/G31DE-AT cdeg
B*	514886400	059215	UGELLO PILOTA; GN 27	NOZZLE; GN 27 PILOT	G20
B*	514878900	059216	UGELLO PILOTA; GPL 14	NOZZLE; GPL 14 PILOT	G30/G31

\* =Component on demand / componente a richiesta

\*\* = Bold text = changes / Grassetto = cambiamenti