



SPARE PARTS CATALOGUE CATALOGO PARTI DI RICAMBIO

SPEEDELIGHT

PNC	MODEL	Ref	Description	Note
603869	HSPP2RPRS	a	ADJUSTABLE TUBE-REMOVABLE PLATE-RIBBED-PANERA	208V
603870	HSPP3RPRS	b	FLEX-REMOVABLE PLATE-RIBBED-STANDARD	208V
603871	HSPP1BPRP	c	SHORT TUBE-BAKING PAPER-RIBBED-PANERA	208V
603872	HSPP2BPFM	d	ADJUSTABLE TUBE-BAKING PAPER-FLAT-MELT	208V
603873	HSPP1BPRPM	e	SHORT TUBE-BAKING PAPER-RIBBED-PRET A MANGER	208V
603874	HSPP3RPFS	f	FLEX-REMOVABLE PLATE-FLAT-STANDARD	208V
603875	HSG0BPRSE1	g	LONG TUBE-BAKING PAPER-RIBBED-STANDARD EU	220-230V
603876	HSG1BPRSE1	h	SHORT TUBE-BAKING PAPER-RIBBED-STANDARD EU	220-230V
603877	HSG3RPRSE1	j	FLEX-REMOVABLE PLATE-RIBBED-STANDARD EU	220-230V
603878	HSG2RPRSE1	k	ADJUSTABLE TUBE-REMOVABLE PLATE-RIBBED-STANDARD EU	220-230V
603879	HSG2RPRSK1	i	ADJUSTABLE TUBE-REMOVABLE PLATE-RIBBED-STANDARD UK	220-230V
603880	HSG1BPRP1	l	SHORT TUBE-BAKING PAPER-RIBBED-PRET A MANGER	220-230V
603881	HSG0RPRA1	m	LONG TUBE-REMOVABLE PLATE-RIBBED-AUTOGRILL	220-230V
603882	HSG2RPRE1	n	ADJUSTABLE TUBE-REMOVABLE PLATE-RIBBED-EAT	220-230V
603883	HSG0BPRSE3	o	LONG TUBE-BAKING PAPER-RIBBED-STANDARD EU	380-400V
603884	HSG1BPRSE3	p	SHORT TUBE-BAKING PAPER-RIBBED-STANDARD EU	380-400V
603885	HSG3RPRSE3	q	FLEX-REMOVABLE PLATE-RIBBED-STANDARD EU	380-400V
603886	HSG2RPRSE3	r	ADJUSTABLE TUBE-REMOVABLE PLATE-RIBBED-STANDARD EU	380-400V
603887	HSG2RPRSK3	s	ADJUSTABLE TUBE-REMOVABLE PLATE-RIBBED-STANDARD UK	380-400V
603888	HSG1BPFAJ	a1	ADJUSTABLE TUBE-BAKING PAPER-FLAT UK PRET	220-230V
603889	HSG0RPRA3	t	LONG TUBE-REMOVABLE PLATE-RIBBED-AUTOGRILL	380-400V
603892	HSPP2RPFS	u	ADJUSTABLE TUBE-REMOVABLE PLATE-FLAT-STANDARD	208V
603893	HSG3RPRSK1	v	FLEX-REMOVABLE PLATE-RIBBED-STANDARD UK	220-230V
603894	HSG3RPRSK3	w	FLEX-REMOVABLE PLATE-RIBBED-STANDARD UK	380-400V
603895	HSPP3BPRZ	x	FLEX-REMOVABLE PLATE-RIBBED - ZUPAS-US	208V
603897	HSPP1BPRT	y	SHORT TUBE-BAKING PAPER-RIBBED-PANERA	208V
603899	HSG2RPRSE3	z	ADJUSTABLE TUBE-REMOVABLE PLATE-RIBBED-RENT IT	380-400V
603900	HSG2RPR64	b1	ADJUSTABLE TUBE-REMOVABLE PLATE-RIBBED JAP 60	208V
603901	HSG3RPR64	c1	FLEX-REMOVABLE PLATE-RIBBED JAP 60	200V
603902	HSG2RPR54	d1	ADJUSTABLE TUBE-REMOVABLE PLATE-RIBBED JAP 50	200V
603903	HSG3RPR54	e1	FLEX-REMOVABLE PLATE-RIBBED JAP 50	200V
603904	HSG3RPRU2	f1	FLEX-REMOVABLE PLATE-RIBBED STD AUS	420V
603905	HSG2RPRU2	g1	ADJUSTABLE TUBE-REMOVABLE PLATE-RIBBED STD AUS	420V



SPARE PARTS CATALOGUE
CATALOGO PARTI DI RICAMBIO

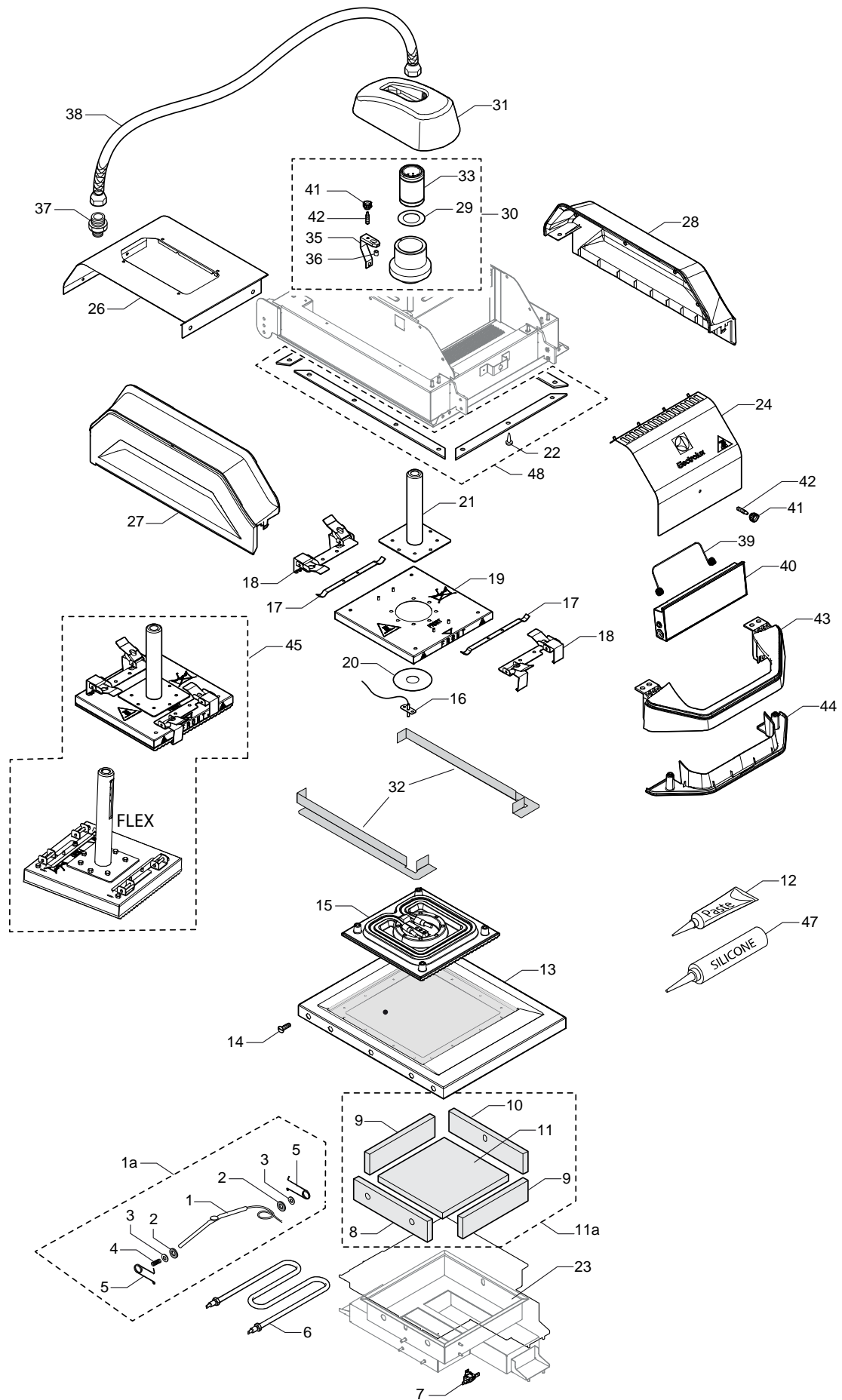
SPEEDELIGHT

PNC	MODEL	Ref	Description	Note
603910	HSG3RPRSECE	h1	FLEX-REMOVABLE PLATE-RIBBED-CHEF EXPRESS	400V
603911	HSG2BPRP1	i1	ADJUSTABLE TUBE-BAKING PAPER-RIBBED-PRET A MANGER	230V
603912	HSG3RPFSE1	l1	FLEX-REMOVABLE PLATE-FLAT-STANDARD EU	230V
603913	HSG2RPFSE1	m1	ADJUSTABLE TUBE-REMOVABLE PLATE-FLAT-STANDARD EU	230V
603914	HSG3RPFSE3	n1	FLEX-REMOVABLE PLATE-FLAT-STANDARD EU	400V
603915	HSG2RPFSE3	o1	ADJUSTABLE TUBE-REMOVABLE PLATE-FLAT-STANDARD EU	400V
603921	HSG2BPPF3	p1	ADJUSTABLE TUBE-BAKING PAPER-FLAT UK PRET	400V
603922	HSPP2BPFC	q1	ADJUSTABLE TUBE-BAKING PAPER-FLAT-CHIPOTLE	208V
603923	HSPP3BPRS	r1	FLEX- BAKING PAPER -RIBBED-USA SUBWAY	208V

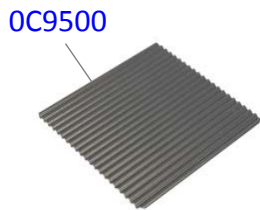
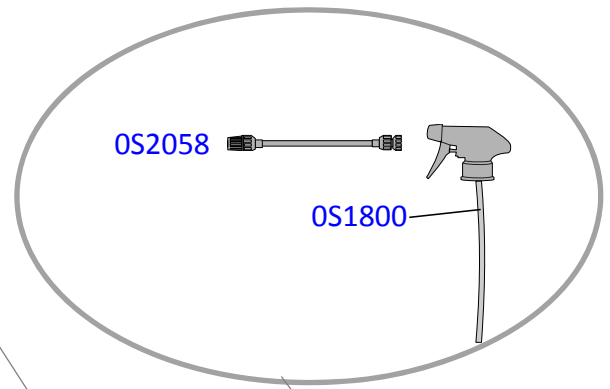
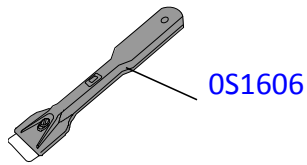
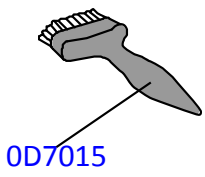
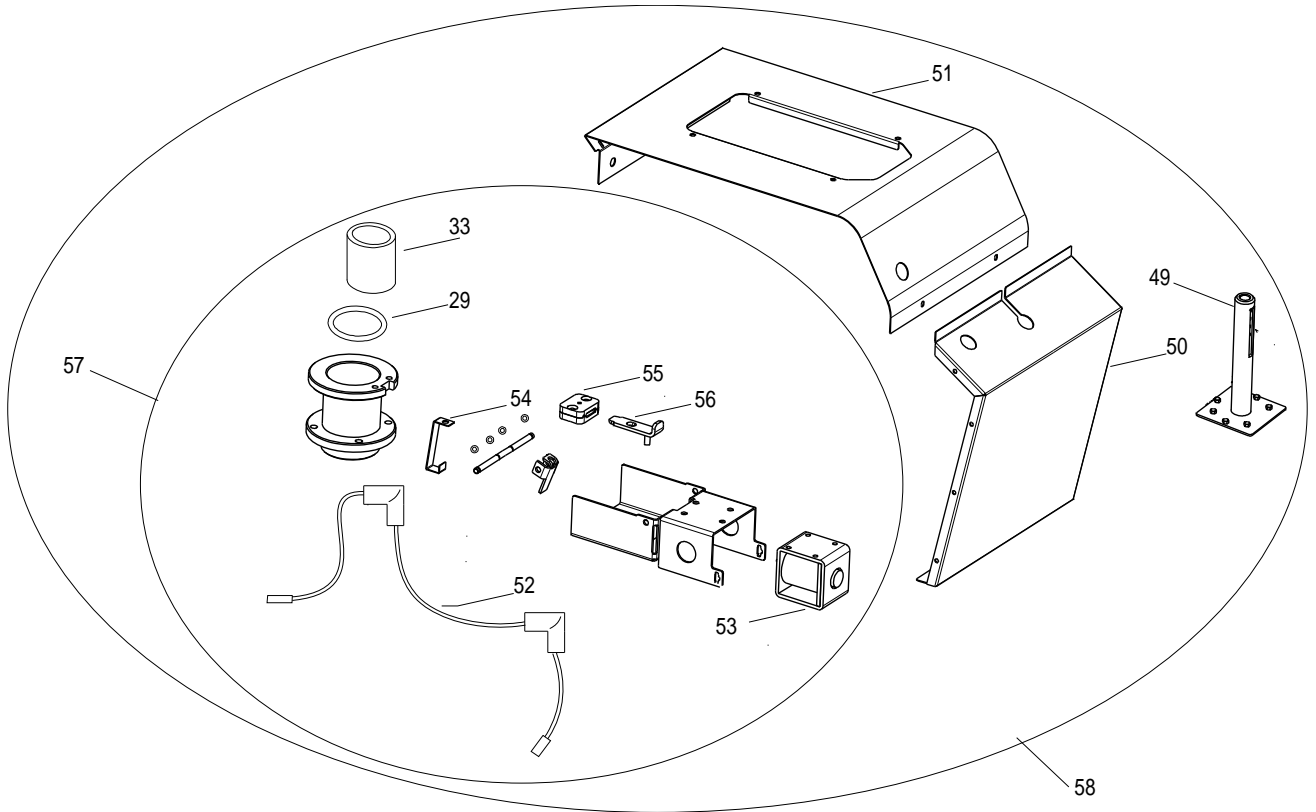
Index	Pag
General components/componenti generali	3,4
Electric components /componenti elettrici	5,6
Spare part list / lista ricambi	7-12

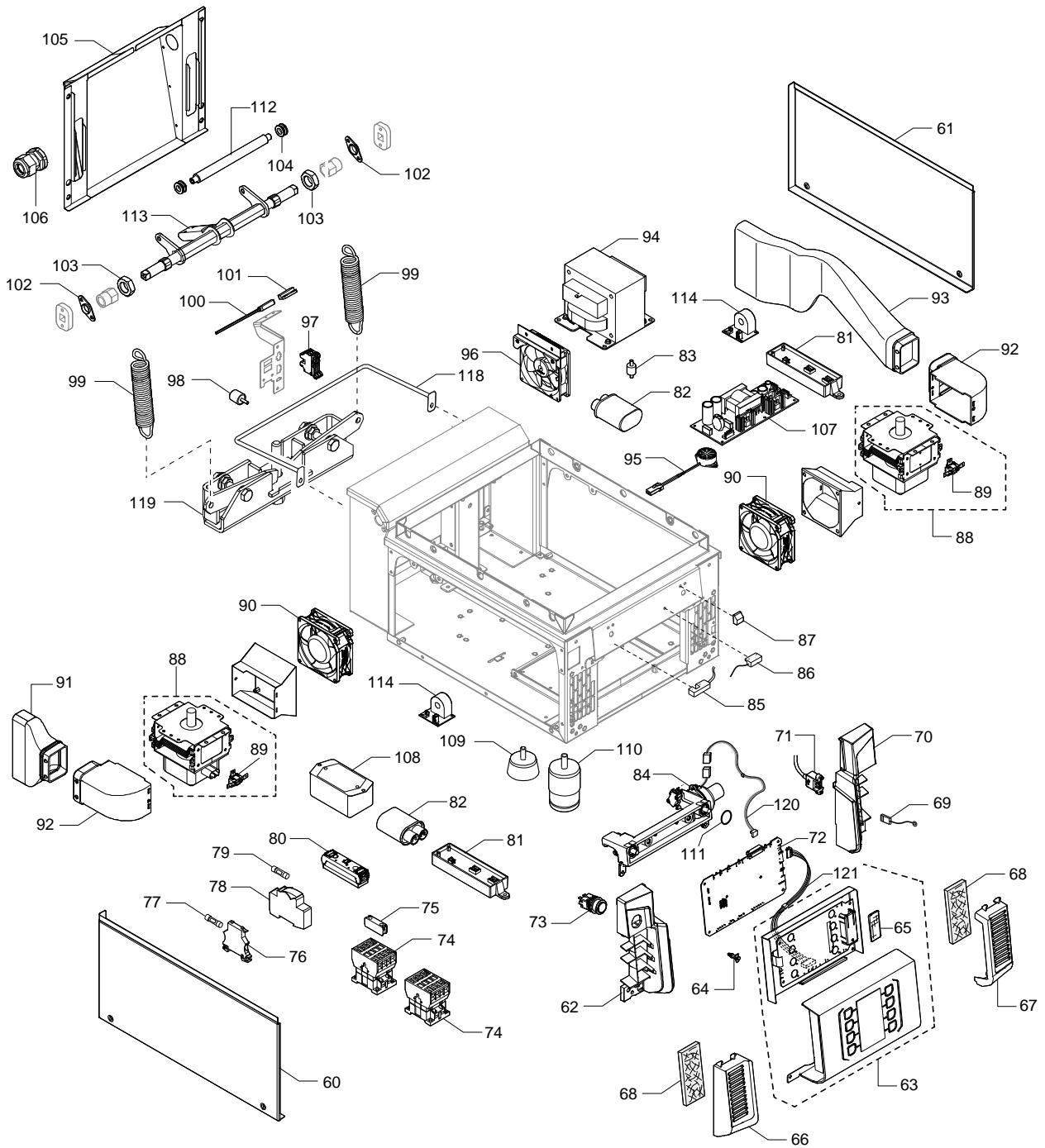
Bold = Last Change
Grassetto= ultima modifica

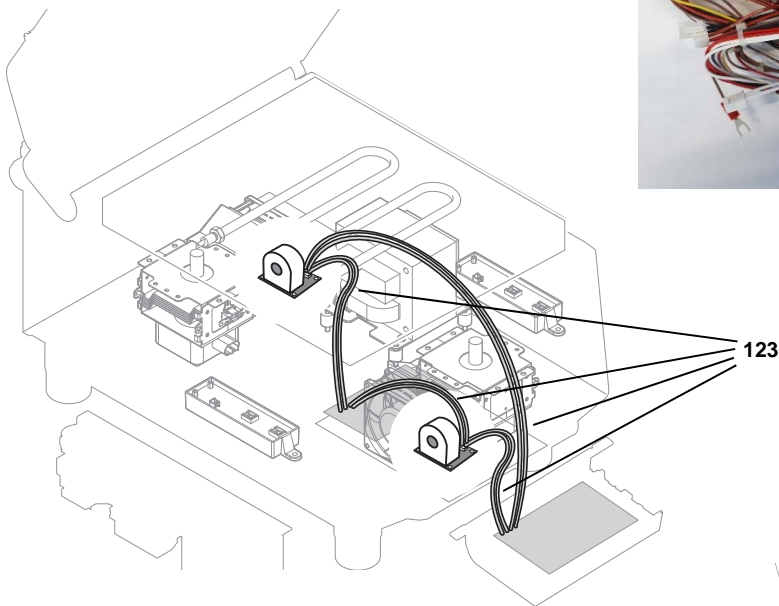
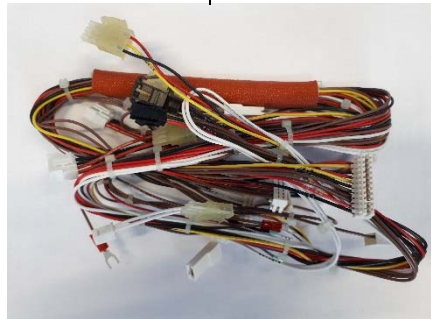
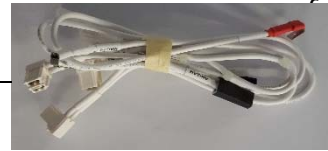
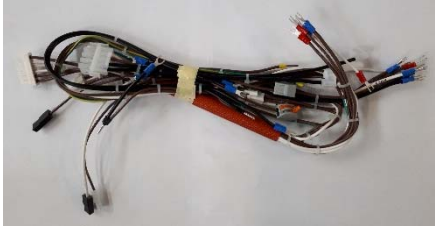
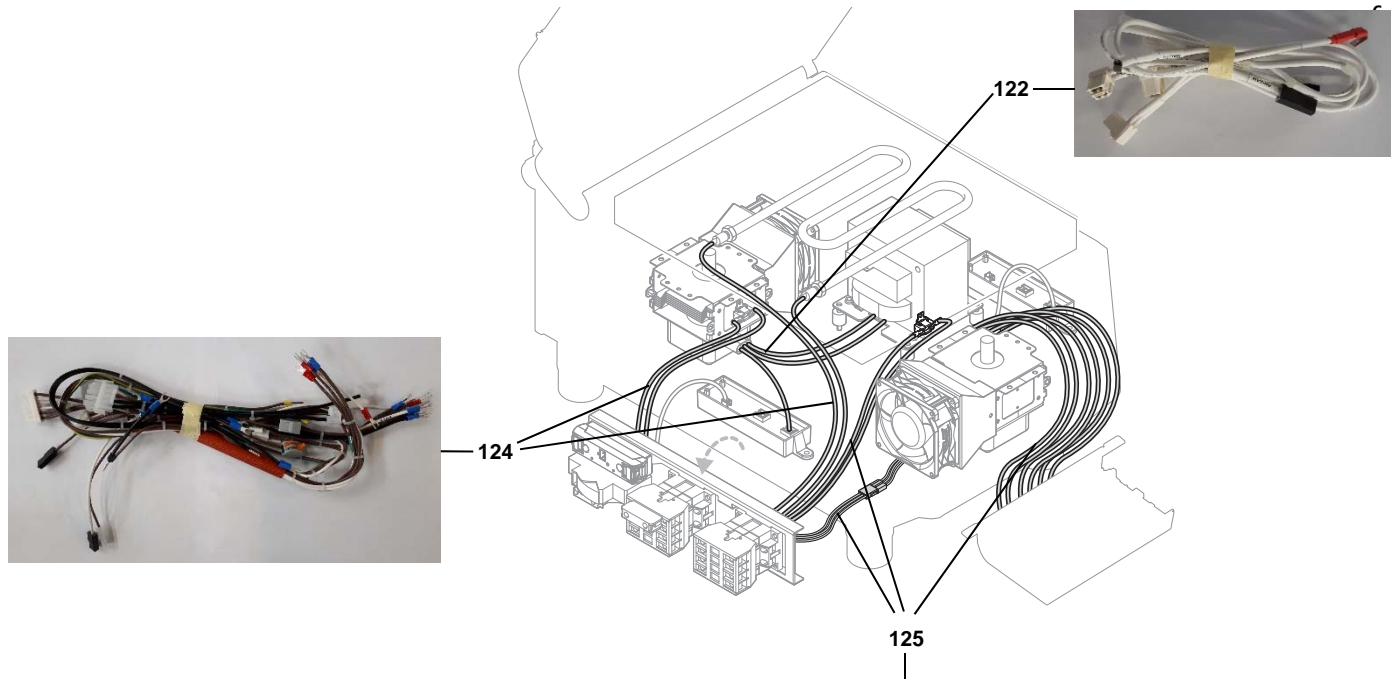
Da Ser.Nr./From Ser.nr.:/7	Updated 03/2019	Doc. N°595402C00
----------------------------	-----------------	------------------



FLEX





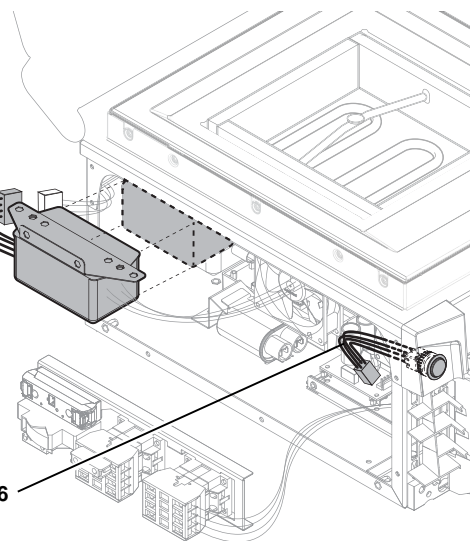


127

128



126



Pos.	Spare part code/Co-dice Ricambio	Product code/Codice Prodotto	DESCRIZIONE	DESCRIPTION	NOTE/NOTES
1	OCA940	0653400900	SONDA TEMP. TUBOLARE INF. PT1000	WORKING TOP TEMP. SENSOR PT1000	
1-a	OCA945	-----	KIT COMPLETO SONDA + MOLLETTE+RONDELLE	COMPLETE KIT PROBE+SPRINGS+WASHERS	
2	OC8133	0505401201	RONDELLA X MW	WASHER FOR MW	
3	OCA939	0506405300	ROSETTA PIANA	FLAT WASHER	
4	OD6777	0514400S00	MOLLA	SPRING	
5	OCA941	0514400T01	MOLLETTA DI TENUTA SONDA	HOLDING SPRING FOR PROBE	
6	OCA697	0617401G01	RESISTENZA CORAZZATA 230V- 800W	HEATING ELEMENT 230V 800W	FOR 230V-400V
6	OCA698	0617401H01	RESISTENZA CORAZZATA 208V- 800W	HEATING ELEMENT 208V 800W	
6	OCB091	0617401J00	RESISTENZA CORAZZATA 200V- 800W	HEATING ELEMENT 200V 800W	JAP
6	OCB096	0617401K00	RESISTENZA CORAZZATA 248V- 800W	HEATING ELEMENT 248V 800W	AUS
7	OD6833	0646400200	KLIXON	KLIXON	
8	OCA842	0569400P01	ISOLANTE LATO RESISTENZA	INSULATION, HEATING ELEMENT SIDE	
9	OC8163	0569400500	ISOLANTE ANT. POST.	INSULATION, FRONT, BACK SIDE	
10	OC8162	0569400401	ISOLANTE LATERALE CAM. DI LANCIO	INSULATION RIGHT SIDE	
11	OC8161	0569400300	ISOLANTE INF. CAMERA DI LANCIO	INSULATION, BOTTOM SIDE	
11a	OCB121	KIT ISOLANTE CAMERA DI LANCIO	KIT INSULATION	
12	005256	0167098079	PASTA TERMOCONDUTTIVA	THERMAL CONDUCTIVE PASTE	
13	OCA807	0830405V04	ASSIEME WORKING TOP	WORKING TOP ASSEMBLY	
14	OCA769	0217204185	VITE M6X20 TSP	SCREW M6X20	
15	OCA501	0691400003	RES. MONOBLOCCO RIGATA 230V	HEATING ELEMENT RIBBED PLATE 230V	FOR 230V-400V
15	OCA502	0691400103	RES. MONOBLOCCO RIGATA 208V	HEATING ELEMENT RIBBED PLATE 208V	
15	OCA503	0691400203	RES. MONOBLOCCO LISCIA 230V	HEATING ELEMENT SMOOTH PLATE 230V	FOR 230V-400V
15	OCA504	0691400203	RES. MONOBLOCCO LISCIA 208V	HEATING ELEMENT SMOOTH PLATE 208V	
16	OCA452	0653400601	SONDA PT1000 X MONOBLOCCO	TEMPERATURE SENSOR PT1000	
17	OCA505	0504406K00	MOLLETTA FISS. CARTA FORNO	SPRING FOR BAKING PAPER	
18	OCA445	0800400T01	GANCIO PIASTRA RIGATA	RIBBED PLATE RTP HOLDER	
19	OCA517	0503403402	CARTER PER RESISTENZA UPPER PLATE	HEATING ELEMENT COVER	
20	OCA516	0189400000	DISCO MICA PIASTRA MONOBLOCCO	MICA DISK	
21	OCA513	0515403201	TUBO LUNGO	LONG TUBE	
21	OCA514	0515403302	TUBO CORTO	SHORT TUBE	
21	OCA515	0830405J00	TUBO REGOLABILE	ADJUSTABLE TUBE	
22	OCB076	-----	RIVETTO PLASTICA SET 14 PZ	PLASTIC RIVET SET 14 PC	
23	OCB402	0830405W04	CAMERA DI LANCIO	LAUNCHING CHAMBER	
24	OCB077	0800401L00	COPERTURA FRONTALE	FRONT COVER	FOR PANERA MODELS and SUBWAY r1

Pos.	Spare part code/Co-dice Ricambio	Product code/Codice Prodotto	DESCRIZIONE	DESCRIPTION	NOTE/NOTES
24	OCA844	0800401A00	COPERTURA FRONTALE	FRONT COVER	
26	OCA845	0500403L02	COPERTURA ESTERNA	EXTERNAL COVER	
27	OCA680	0541401400	GUSCIO SX HSPE	LEFT SHELL	
28	OCA679	0541401300	GUSCIO DX HSPE	RIGHT SHELL	
29	OCA809	0514404K00	GUARNIZIONE MICROONDE	MICROWAVE GASKET	
30	OCB056	0805407D03	ASS.GGIO PORTA BUSSOLA	BUSH HOLDER ASSEMBLY	
31	OCA685	0541401900	COPERTURA	COVER	
32	OCB418	-----	DIME CENTRAGGIO COPERCHIO	SPACERS KIT FOR LID ADJUSTMENT	
33	OC9210	0514401000	CUSCINETTI PER UPPER PLATE	UPPER PLATE BEARING	
35	OC8510	0800400D02	NASELLO PER FERMO UPPER PLATE	UPPER PLATE LOCKING LATCH	
36	OC9483	0514402100	DISTANZIALE PER NASELLO HSPP	LOCKING SPACER	
37	OCB300	0518400U00	GHIERE FISS. TUBO FLESSIBILE	FLEX HOSE FIXING NUT	
38	OCB301	-----	KIT TUBO FLESSIBILE 3/8 + FISSAGGI	KIT FLEX HOSE 3/8 +FITTINGS	
39	OCA678	0514404F00	MOLLA PER MANIGLIA COPERCHIO	HANDLE SPRING	
40	OCB196	0855401W06	ASSIEME MANIGLIA	HANDLE ASSEMBLY	
41	OC8122	0518400300	MANOPOLA	KNOB	
42	OC8121	0518400700	VITE MANOPOLA	KNOB'S SCREW	
43	OCA692	0548401M00	ELEMENTO SUPERIORE IMPUGNATURA	HANDLE UPPER ELEMENT	
44	OCA693	0548401N00	ELEMENTO INFERIORE IMPUGNATURA	HANDLE LOWER ELEMENT	
45	OCA500	0830407L05	ASS. UPPER PLATE RIGATA-CARTA FORNO 208V TUBO REGOLABILE	RIBBED UPPER PLATE ASSEMBLY-BAK- ING PAPER 208V ADJ TUBE	FOR 208V
45	OCA497	0830407M05	ASS.UPPER PLATE RIGATA-CARTA FORNO 208V TUBO LUNGO	RIBBED UPPER PLATE ASSEMBLY-BAK- ING PAPER 208V LONG TUBE	FOR 208V
45	OCA194	0830407D07	ASS.UPPER PLATE RIGATA-CARTA FORNO 208V TUBO CORTO	RIBBED UPPER PLATE ASSEMBLY-BAK- ING PAPER 208V SHORT TUBE	FOR 208V
45	OCA498	0830402508	ASS.UPPER PLATE RIGATA-CARTA FORNO 230V TUBO REGOLABILE	RIBBED UPPER PLATE ASSEMBLY + BAK- ING PAPER 230V ADJ TUBE	FOR 230V-400V
45	OCA451	0830407C06	ASS.UPPER PLATE RIGATA-CARTA FORNO 230V TUBO LUNGO	RIBBED UPPER PLATE ASSEMBLY -BAK- ING PAPER 230V LONG TUBE	FOR 230V-400V
45	OCA496	0830407F07	ASS.UPPER PLATE RIGATA-CARTA FORNO 230V TUBO CORTO	RIBBED UPPER PLATE ASSEMBLY-BAK- ING PAPER 230V SHORT TUBE	FOR 230V-400V
45		0830407G07	ASS.UPPER PLATE RIGATA--ONDULINA 230V TUBO CORTO	RIBBED UPPER PLATE ASSEMBLY- RTP 230V SHORT TUBE	FOR 230V
45	OCA448	0830407K06	ASS.UPPER PLATE LISCIO-CARTA FORNO 208V TUBO REGOLABILE	SMOOTH UPPER PLATE ASSEMBLY- BAKING PAPER 208V ADJ TUBE	FOR 208V
45	OCA499	0830407N05	ASS.UPPER PLATE LISCIO-CARTA FORNO 230V TUBO REGOLABILE	SMOOTH UPPER PLATE ASSEMBLY- BAKING PAPER 230V ADJ TUBE	FOR 230V-400V
45	OCA449	0830407J06	ASS.UPPER PLATE RIGATA-ONDULINA 230V TUBO REGOLABILE	RIBBED UPPER PLATE ASSEMBLY-RTP 230V ADJ TUBE	FOR 230V-400V
45	OCA450	0830407H06	ASS.UPPER PLATE RIGATA-ONDULINA 208V TUBO REGOLABILE	RIBBED UPPER PLATE ASSEMBLY-RTP 208V ADJ TUBE	FOR 208V
45	OCA735	0830408C03	ASS.UPPER PLATE LISCIO-ONDULINA	SMOOTH UPPER PLATE ASSEMBLY -	FOR 208V MELT

Pos.	Spare part code/Co-dice Ricambio	Product code/Codice Prodotto	DESCRIZIONE	DESCRIPTION	NOTE/NOTES
			208V TUBO REGOLABILE	RTP 208V ADJ TUBE	
45	OCA734	0830408B04	ASS.UPPER PLATE RIGATA-ONDULINA 208V TUBO CORTO	RIBBED UPPER PLATE ASSEMBLY –RTP 208V SHORT TUBE	FOR 208V
45	OCB093	083040BJ00	ASS.UPPER PLATE RIGATA-ONDULINA 200V TUBO REGOLABILE	RIBBED UPPER PLATE ASSEMBLY-RTP 200V ADJ TUBE	FOR 200V JAP
45	OCB094	083040BK00	ASS.UPPER PLATE RIGATA-ONDULINA 200V TUBO FLEX	RIBBED UPPER PLATE ASSEMBLY-RTP 200V FLEX TUBE	FOR 200V JAP
45	OCB098	083040BL00	ASS.UPPER PLATE RIGATA-ONDULINA 248V TUBO REGOLABILE	RIBBED UPPER PLATE ASSEMBLY-RTP 248V ADJ TUBE	FOR 248V AUS
45	OCB099	083040BM00	ASS.UPPER PLATE RIGATA-ONDULINA 248V TUBO FLEX	RIBBED UPPER PLATE ASSEMBLY-RTP 248V FLEX TUBE	FOR 248V AUS
45	OCA880	083040B201	ASS.UPPER PLATE RIGATA-ONDULINA 230V FLEX	RIBBED UPPER PLATE ASSEMBLY-RTP 230V FLEX	WITH FLEX FOR 230V-400V
45	OCA921	0830409L02	ASS.UPPER PLATE LISCIO-ONDULINA 208V FLEX	SMOOTH UPPER PLATE ASSEMBLY – RTP 208V FLEX	WITH FLEX FOR 208V
45	OCA920	083040AR01	ASS.UPPER PLATE RIGATA-ONDULINA 208V FLEX	RIBBED UPPER PLATE ASSEMBLY-RTP 208V FLEX	WITH FLEX FOR 208V
45	-----	083040CF00	ASS.UPPER PLATE RIGATA-ONDULINA 200V TUBO REGOLABILE	RIBBED UPPER PLATE ASSEMBLY-RTP 200V ADJ TUBE	FOR 200V JAP
45	-----	083040CG00	ASS.UPPER PLATE RIGATA-ONDULINA 200V FLEX	RIBBED UPPER PLATE ASSEMBLY-RTP 200V FLEX	WITH FLEX FOR 200V JAP
45	-----	083040CH01	ASS.UPPER PLATE RIGATA-ONDULINA 420V FLEX	RIBBED UPPER PLATE ASSEMBLY-RTP 420V FLEX	WITH FLEX FOR 420V AUS
45	-----	083040CJ01	ASS.UPPER PLATE RIGATA-ONDULINA 420V TUBO REGOLABILE	RIBBED UPPER PLATE ASSEMBLY-RTP 420V ADJ TUBE	FOR 420V AUS
45	-----	083040CK00	ASS.UPPER PLATE LISCIO-CARTA FORNO 230V TUBO REGOLABILE	SMOOTH UPPER PLATE ASSEMBLY- BAKING PAPER 230V ADJ TUBE	FOR 230V
45	OCB224	83040AY01	ASS.UPPER PLATE LISCIA-ONDULINA 230-400V TUBO REGOLABILE	SMOOTH UPPER PLATE ASSEMBLY-RTP 230-400V ADJ TUBE	230-400V ADJ T. EU STD
45	OCB223	83040AZ01	ASS.UPPER PLATE LISCIA-ONDULINA 230-400V FLEX	SMOOTH UPPER PLATE ASSEMBLY-RTP 230-400V FLEX	230-400V FLEX EU STD
45	OCB225	83040B301	ASS.UPPER PLATE RIGATA-CARTA FORNO 230V TUBO REGOLABILE	RIBBED UPPER PLATE ASSEMBLY-BAK- ING PAPER 230V ADJ TUBE	230V UK PRET
45		83040AJ01	ASS.UPPER PLATE RIGATA- ONDULINA 230V TUBO LUNGO	RIBBED UPPER PLATE ASSEMBLY- RTP 230V LONG TUBE	230V
45		83040AN00	ASS.UPPER PLATE LISCIO- CARTA FORNO 230V TUBO FLEX	SMOOTH UPPER PLATE ASSEMBLY- BAKING PAPER 230V FLEX TUBE	230V
45	OCA919	83040AQ01	ASS.UPPER PLATE LISCIO- ONDULINA 208V TUBO LUNGO	SMOOTH UPPER PLATE ASSEMBLY-RTP 208V LONG TUBE	208V
45		83040AV01	ASS.UPPER PLATE RIGATA- CARTA FORNO 208V TUBO CORTO	RIBBED UPPER PLATE ASSEMBLY- BAKING PAPER 208V SHORT TUBE	208V
45		83040AW00	ASS.UPPER PLATE LISCIO- ONDULINA 230V TUBO LUNGO	SMOOTH UPPER PLATE ASSEMBLY-RTP 230V LONG TUBE	230V

Pos.	Spare part code/Co-dice Ricambio	Product code/Codice Prodotto	DESCRIZIONE	DESCRIPTION	NOTE/NOTES
45		83040K200	ASS.UPPER PLATE LISCIO-CARTA FORNO 208 V TUBO REGOLABILE	SMOOTH UPPER PLATE ASSEMBLY- BAKING PAPER 208V ADJ TUBE	208 V – CHIPOTLE q1
45	OCB660	83040AK00	ASS.UPPER PLATE RIGATA-CARTA FORNO 208 V TUBO FLEX	RIBBED UPPER PLATE ASSEMBLY- BAKING PAPER 208V FLEX TUBE	208 V - SUBWAY
47	OCB051	0147300V00	SILICONE ROSSO-330ml	RED SILICONE-330ml	
48	OCB089	-----	CHOKE COVER KIT	CHOKE COVER KIT	
49	OCB074	0516400D00	TUBO FLEX	FLEX TUBE	WITH FLEX
50	OCB120	0800401X01	SCHIENALE FLEX	FLEX BACK COVER	WITH FLEX
51	OCB071	0500404201	COPERTURA ESTERNA FLEX	FLEX EXTERNAL COVER	WITH FLEX
52	OCA723	0830408600	CAVO ALIMENTAZIONE FLEX	FLEX POWER CORD	WITH FLEX
53	OCA720	0805407402	ATTUATORE LINEARE	LINEAR ACTUATOR	WITH FLEX
54	OCB048	0506404W01	MOLLA FLEX	FLEX SPRING	WITH FLEX
55	OCB050	0504407B00	GUIDA PER NASELLO	LOCKING LATCH GUIDE	WITH FLEX
56	OCB047	0501500100	NASELLO FLEX	FLEX LOCKING LATCH	WITH FLEX
57	OCA942	0835402N05	ASSIEME MECCANISMO FLEX	FLEX MECHANISM ASSEMBLY	WITH FLEX
58	-----	-----	KIT CONVERSIONE A FLEX	CONVERSION KIT TO FLEX	
60	OCA846	0503403D01	PANNELLO DESTRO	RIGHT PANEL	
61	OCA847	0503403F01	PANNELLO SINISTRO	LEFT PANEL	
62	OCA682	0541401600	CORNICE PER FILTRO SX HSPE	LEFT FILTER FRAME	
63	OCA795	0855401Z06	ASSIEME CRUSCOTTO USER INTERFACE	USER INTERFACE DASHBOARD ASSEMBLY	
63	OCB186	0855405J02	ASSIEME CRUSCOTTO USER INTERFACE SENZA NIU	USER INTERFACE DASHBOARD ASSEMBLY WITHOUT NIU	FOR 200V JAPAN
64	OC3750	0546814001	DISTANZIALE	SPACER	
65	-----	0657400101	SCHEDA WIFI NIU	WIFI NIU BOARD	
66	OCA684	0541401800	PORTA FILTRO SX	FILTER COVER-LEFT	
67	OCA683	0541401700	PORTA FILTRO DX	FILTER COVER-RIGHT	
68	OCA696	0549400Q00	FILTRO	FILTER	
69	OCA687	0541401B00	TAPPO USB	USP CUP	
70	OCA681	0541401500	CORNICE PER FILTRO DX HSPE	RIGHT FILTER FRAME	
71	OCA705	0638404200	CAVO USB	USB CABLE EXTENSION	
72	OCA704	0638404101	SCHEDA POWER ACU HSPE	POWER BOARD ACU	
73	OCA961	0640400500	INTERRUTTORE ON OFF	ON/OFF BUTTON	
74	OCA810	0648400P00	CONTATTORE	CONTACTOR	
75	OCA811	0H58194500	CONTATTO AUSILIARIO	AUXILIARY CONTACT	
76	OCA848	0639F00600	PORTAFUSIBILE 5X20	FUSE HOLDER 5X20	
77	002820	0652801800	FUSIBILE 5X20 160mA	FUSE 5X20 160mA	
78	075737	0652603200	PORTAFUSIBILE UNIPOLARE 32A 690V	FUSE HOLDER 32A 690V	
79	OC1885	0652800801	FUSIBILE F 15 A 10X38	FUSE F15A 10X38	FOR 208V
79	OCA875	0652400900	FUSIBILE F 12 A 10X38	FUSE F12A 10X38	FOR 200V 50Hz - 230V
79	OCA863	0652400800	FUSIBILE F 8 A 10X38	FUSE F8A 10X38	FOR 400V

Pos.	Spare part code/Co-dice Ricambio	Product code/Codice Prodotto	DESCRIZIONE	DESCRIPTION	NOTE/NOTES
79	0CB117	0652806400	FUSIBILE F 10 A 10X38	FUSE F10A 10X38	FOR 200V 60Hz
80	0CA709	0648400M00	RELE' STATO SOLIDO	SOLID STATE RELE'	
81	0CA722	0830408300	ASSIEME SCHEDA DIODI	DIODE BOX ASSEMBLY	
82	0CA876	0694400F00	CONDENSATORE 0,90 UF 2500VAC	CAPACITOR 0,90 UF 2500VAC	FOR 230V-400V
82	0CA808	0694400G00	CONDENSATORE 0,75 UF 2500VAC	CAPACITOR 0,75 UF 2500VAC	FOR 200V-208V-420V
83	0CA849	0546400P00	ANTIVIBRANTE TRASFORMATORE	SHOCK ABSORBER FOR TRANSFORMER	
84	0CA719	0805407000	SBLOCCO MANIGLIA	UNLOCKING MECHANISM	
85	0CA712	0654400000	INTERLOCK MAGNETICO 'S1'	INTERLOCK REED "S1"	
86	0CA713	0654400100	INTERLOCK MAGNETICO 'S2'	INTERLOCK REED "S2"	
87	0C8150	0514400R00	PIOLI FERMO COPERCHIO -32413 HSPP	LID LOCKING PIN	
88	0CA831	0805406Z01	ASS. MAGNETRON 1000W 2M319 + CLIXON+FISSAGGI	MAGNETRON 1000W 2M319 +CLIXON+FIXING	
89	0CA707	0646400800	KLIXON	KLIXON	
90	0CA717	0682400400	VENTILATORE ASSIALE 92X38mm	AXIAL FAN 92X38mm	
91	0CA690	0544401100	CONDOTTO SCARICO CORTO	AIR DUCT-SHORT	
92	0CA689	0544401000	FISSAGGIO DX-SX CONDOTTO SCARICO	LEFT-RIGHT AIR DUCT FIXING	
93	0CA691	0544401200	CONDOTTO SCARICO LUNGO	AIR DUCT-LONG	
94	0CA701	0830407W01	ASS. 400V TRASF.HV + SONDA TEMP.	HV TRANSFORMER400V+TEMP. SENSOR	PER 400V/FOR 400V
94	0CA700	0830407X02	ASS. 208V TRASF.HV + SONDA TEMP.	HV TRANSFORMER 208V+TEMP. SENSOR	PER 208V/FOR 208V
94	0CA699	0830407Y01	ASS. 230V TRASF.HV + SONDA TEMP.	HV TRANSFORMER 230V+TEMP. SENSOR	PER 230V/FOR 230V
94	0CB092	083040BB00	ASS. 200V TRASF.HV + SONDA TEMP.	HV TRANSFORMER 200V+TEMP. SENSOR	PER 200V/FOR 200V JAP 50Hz
94	0CB095	083040BC00	ASS. 200V TRASF.HV + SONDA TEMP.	HV TRANSFORMER 200V+TEMP. SENSOR	PER 200V/FOR 200V JAP 60Hz
94	0CB097	083040BD00	ASS. 420V TRASF.HV + SONDA TEMP.	HV TRANSFORMER 420V+TEMP. SENSOR	PER 420V/FOR 420V AUS
95		0655400100	BUZZER 12VDC HSPE	BUZZER 12VDC HSPE	For UK PRET a1,p1 For the installation see the relevant instruction
96	0CA716	0682400300	VENTILATORE ASSIALE 92X25mm	AXIAL FAN 92X25mm	
97	0CA850	0639400G00	MORSETTO GRIGIO	GRAY TERMINAL	
97	0CA851	0639400K00	MORSETTO GIALLO/VERDE	YELLOW/GREEN TERMINAL	
98	092931	0514R01701	PARACOLPI IN GOMMA	RUBBER BUMPER	
99	0CA677	0506404L00	MOLLA PER APERTURA COPERCHIO	SPRING FOR LID OPENING	
100	0CA714	0654400200	INTERLOCK MAGNETICO 'S3'	INTERLOCK REED "S3"	
101	0CA695	0549400P00	MAGNETE	MAGNET	
102	0C8218	0544400K00	BOCCOLA PLASTICA	PLASTIC BUSH	
103	049436	0218306125	DADO	NUT	
104	0CA852	0547400300	BOCCOLA	BUSH	

Pos.	Spare part code/Co-dice Ricambio	Product code/Codice Prodotto	DESCRIZIONE	DESCRIPTION	NOTE/NOTES
105	OCB102	0800401W01	SCHIENALE	BACK COVER	
106	OC0068	0544802300	PRESSACAVO	CABLE STRAINER	FOR 208V-400V
106	OCA987	0544401900	PRESSACAVO	CABLE STRAINER	FOR 230V
107	OCA715	0675401100	ALIMENTAT.SWITCHING 230V/12V DC 60W	SWITCHING FEEDER 230V/12V DC 60W	
108	OC8496	0694400600	FILTRO EMC 115-250V	EMC FILTER 115-250V	FOR 208V-230V
108	OCA862	0694400D00	FILTRO EMC 400V	EMC FILTER 400V	FOR 400V
109	OC8267	0548401A00	PIEDINO	FOOT	26 MM
109	OC8105	0548400S00	PIEDINO	FOOT	40 MM - JAP
110	OCA854	0830408801	PIEDINO USA	USA FOOT	FOR 208V and a1,f1,g1,i1,p1
111	OCA688	0543401L00	GUARNIZIONE O-RING	O-RING GASKET	Up to 8231
111	OCB378	0543402V00	GUARNIZIONE O-RING	O-RING GASKET	From 8241
112	OCB053	0514404500	BARRA FISSAGGIO MOLLE	SPRING FIXING SHAFT	
113	OCB052	0835402F03	ASSIEME FULCRO ASSE COPERCHIO	LID HINGE,SHAFT	
114	OCB023	0650400000	SCHEDA SENSING TA	SENSING BOARD TA	
115	OC9500	0509400801	ONDULINA RIGATA	RIBBED RTP	
116	OCA736	0509400B00	ONDULINA LISCIA	SMOOTH RTP	
117	OS2225	0592400700	CARTA FORNO 24 FOGLI	BACKING PAPER 24 SHEETS	g,h,l,o,p,a1,g1,p1,r1
118	OCB536	0514408201	DISTANZIALE SCHIENALE	BACK SPACER	170mm
119	OCB118	0805407B02	REGOLAZIONE MOLLE	SPRING ADJUSTEMENT	
120	OCB107	0634400U00	CABLAGGIO SBLOCCO COPERCHIO	UNLOCKING LID HARNESS	
121	OCA703	0634400T00	CABLAGGIO COMUNICAZIONE SCHEDE UI - ACU	BOARDS COMMUNICATION CABLE UI - ACU	
122	OCB473	0634400S03	CABLAGGIO MAGNETRON	MAGNETRON HARNESS	
123	OCB063	0634401G	CABLAGGIO SENSORI - TA	SENSORS-TA HARNESS	
124	OCA702	0634400M	CABLAGGIO DI POTENZA COMPONENTI CONNESSI: - RESISTENZE UPPER PLATE - RESISTENZE TOP - RELE' STATO SOLIDO KS2 - CONTATTORI KM, KS1 - TRASFORMATORE HTV - INTERRUTTORE SW - KLIXON KLX-HVT, KLX-3 - ALIMENTATORE SMPS - SCHEDA POWER ACU J8, J21, J22	POWER HARNESS CONNECTED COMPONENTS: - UPPER PLATE HEATER - WORKING TOP HEATER - SOLID STATE RELAYD KS2 - CONTACTORS KM, KS1 - TRANSFORMER HTV - MAIN SWITCH SW - KLIXON KLX-HVT, KLX-3 - SWICHING FEEDER SMPS - POWER BOARD ACU J8, J21, J22	
125	OCB084	0634400N04	CABLAGGIO AUSILIARIO COMPONENTI CONNESSI: - VENTOLINE FAN1, FAN2 - ALIMENTATORE SMPS - MICRO INTERRUTTORE S3 - FLEX FX - CONTATTO AUSILIARIO KS1-AUX - FUSIBILE MFUSE - RELE' STATO SOLIDO KS2 - VENTOLINA HVT-FAN - KLIXON KLX-1, KLX-2 - SCHEDA POWER ACU J1, J5...J8, J12	AUXILIARY HARNESS CONNECTED COMPONENTS: - FANS FAN1, FAN2 - SWICHING FEEDER SMPS - MICRO SWITCH S3 - FLEX FX - AUXILIARY CONTACT KS1-AUX - FUSE MFUSE - SOLID STATE RELAYD KS2 - FAN HVT-FAN - KLIXON KLX-1, KLX-2 - POWER BOARD ACU J1, J5...J8, J12	
126	OCB273	0634400R02	CABLAGGIO INTERRUTTORE	SWITCH HARNESS	

Pos.	Spare part code/Co-dice Ricambio	Product code/Codice Prodotto	DESCRIZIONE	DESCRIPTION	NOTE/NOTES
127	-	0634400P00	CABLAGGIO ALIMENTAZIONE MONO-FASE	POWER SUPPLY HARNESS SINGLE PHASE	
128	OCB274	0634400Q00	CABLAGGIO ALIMENTAZIONE TRIFASE	POWER SUPPLY HARNESS THREE PHASE	
200	OCB419	-----	KIT MANUTENZIONE 1° ANNO	1st YEAR MAINTENANCE KIT	For all products pos. 48+68
201	OCB420	-----	KIT MANUTENZIONE 2° ANNO (STANDARD)	2nd YEAR MAINTENANCE KIT (STANDARD)	For all NO FLEX products pos. 2+29+48+68
202	OCB421	-----	KIT MANUTENZIONE 2° ANNO (FLEX)	2nd YEAR MAINTENANCE KIT (FLEX)	For all FLEX products pos. 2+29+48+68+55+56



Electrolux Professional SpA
 Sede legale
 Viale Treviso, 15
 33170 Pordenone, ITALY
 Fax (+39) 0434 380 201
<http://professional.electrolux.it>