

THE  
PRECISION  
VACUUM  
SEALER  
SPARE PARTS  
CATALOGUE



GRAND CUISINE  
BY ELECTROLUX PROFESSIONAL



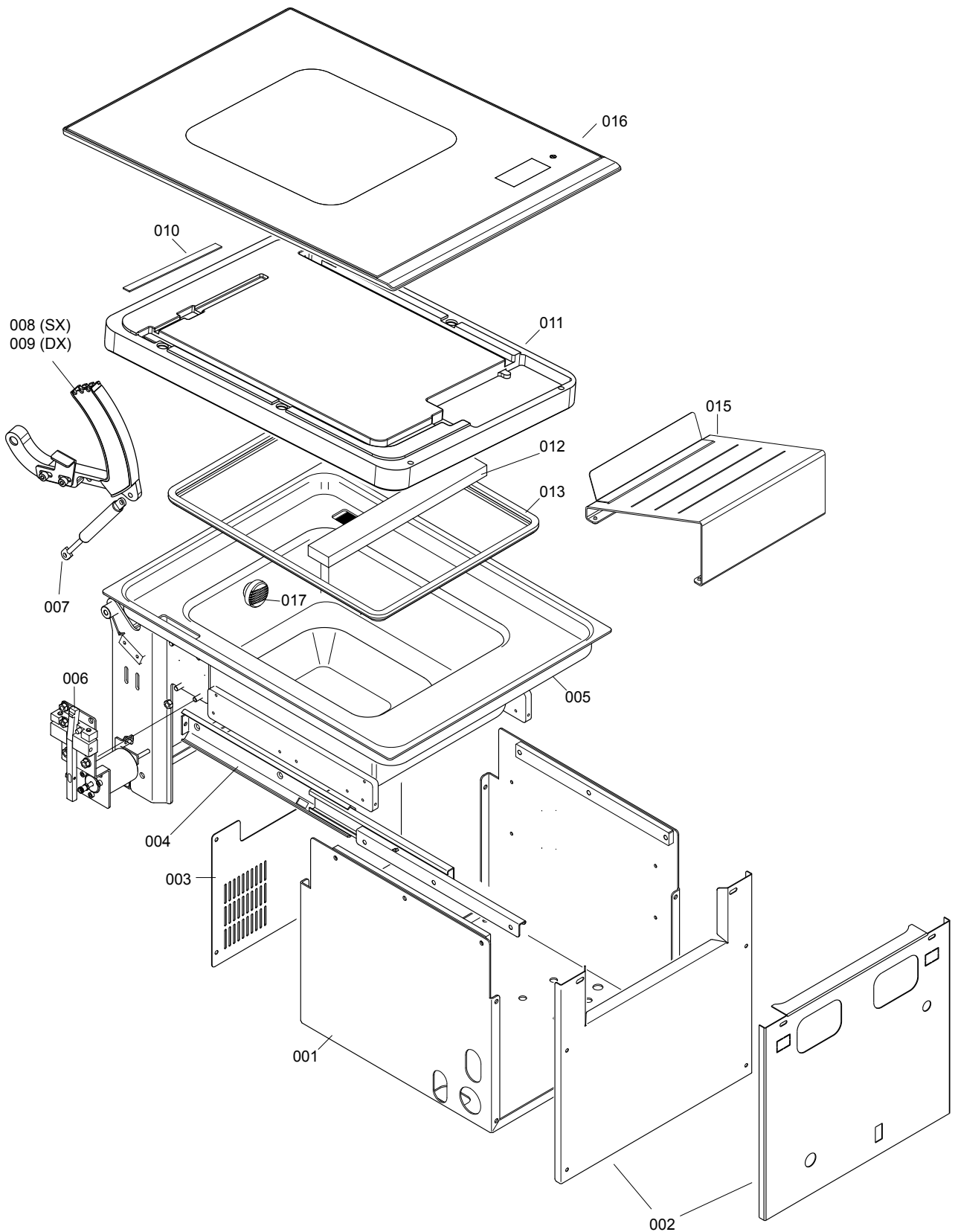
# GRAND CUISINE

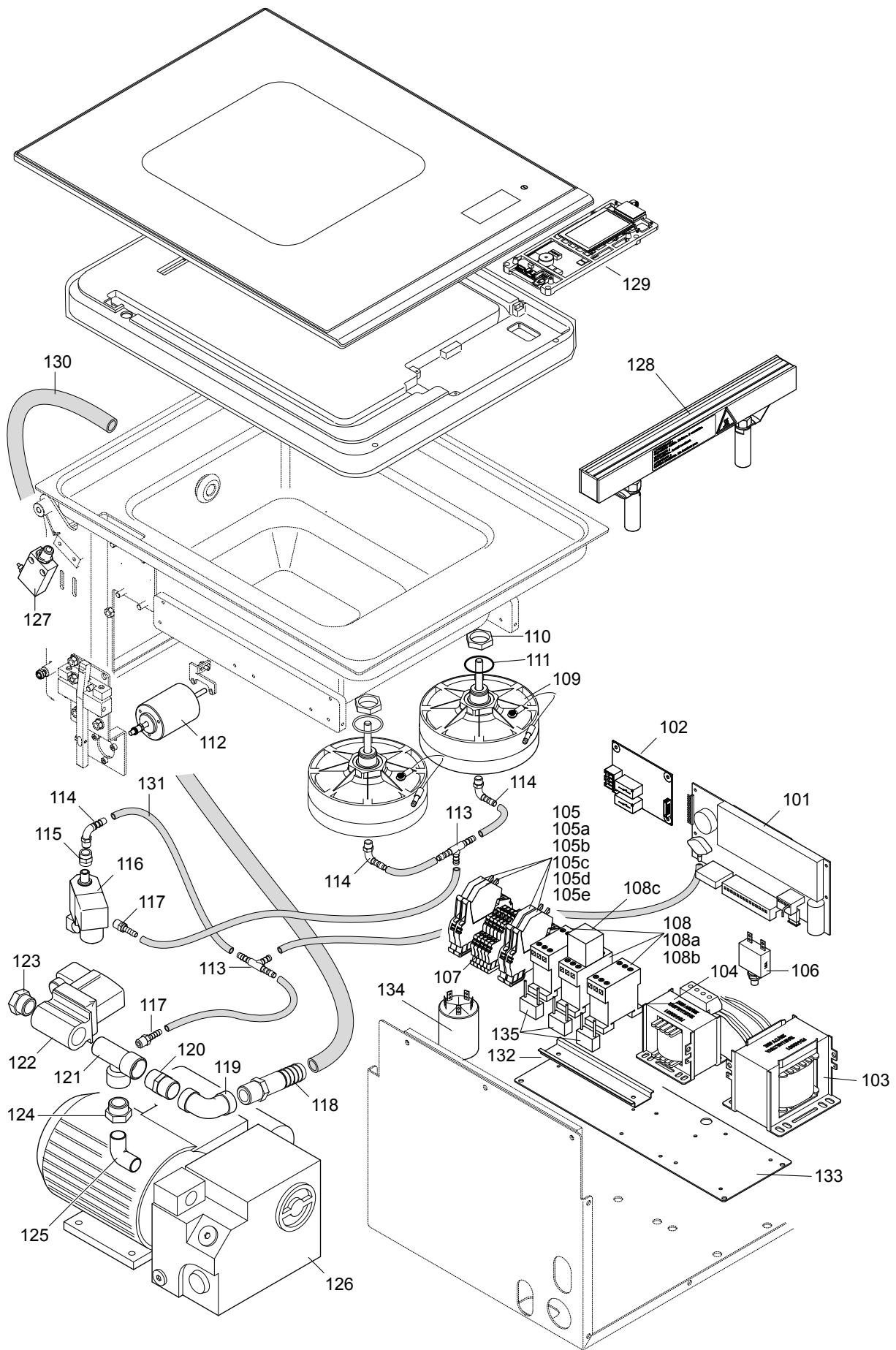
BY ELECTROLUX PROFESSIONAL

---

PNC	MODEL	NOTES
600065	GVSSC	a
600067	GVSSD	b

PAG	INDEX	INDICE
3	Cabinet	Mobile
4	Components	Componenti
5-6	Spare Parts List	Lista Ricambi





PRECISION VACUUM SEALER

Pos	S P A R E P A R T C O D E	F A C T O R Y C O D E	D E S C R I Z I O N E	D E S C R I P T I O N	R E F / N O T E
			<b>PAGINA 3</b>	<b>PAGE 3</b>	
001	0PRM13	FM096274	CARROZZERIA	BODY	
002	0PRM14		PANNELLO ANTERIORE	FRONT PANEL	a
002			PANNELLO ANTERIORE	FRONT PANEL	b
003	0PRM15		PANNELLO POSTERIORE	REAR PANEL	
004	0PRM16		GUIDA A ROTELLE L.300	ROLLER GUIDE L.300	
005	0PRM17		VASCA	CAVITY	
006	0PRM18		GRUPPO BLOCCAGGIO COPERCHIO	COVER'S BLOCKING GROUP	
007	0PRM19		<b>ESTENSORE 110N CORSA 100MM</b>	<b>GAS SPRING 110N STROKE 100MM</b>	
008	0PRM20		LEVA SINISTRA	LEFT HINGE	
009	0PRM21		LEVA DESTRA	RIGHT HINGE	
010	0PRM22		BARRETTA LED CON CONNETTORE	LED STRIP WITH CONNECTOR	
011	0PRM23		COPERCHIO PLEXIGLASS VERNICIATO	PAINTED PLEXIGLASS COVER	
012	0PRM24		PROFILO CONTROBARRA IN SILICONE	SILICONE COUNTERBAR PROFILE	
013	0PRM25		GUARNIZIONE IN GOMMA	RUBBER GASKET	
015	0PRM27		PIANO INCLINATO PER LIQUIDI	LIQUID RAMP	
016	0PRM28		COPERCHIO IN VETRO	GLASS COVER	
017	0PRM29		PROTEZIONE ASPIRAZIONE	SUCTION PROECTION	
			<b>PAGINA 4</b>	<b>PAGE 4</b>	
101	0PRM30	FE290114 FE290171 FE110623 FE110624 FE110625	SCHEDA ELETTRONICA	MAIN POWER BOARD	
102	0PRM31		SCHEDA ON/OFF 230V	ON/OFF BOARD 230V	a
102	0PRM32		SCHEDA ON/OFF 120V	ON/OFF BOARD 120V	b
103	0PRM33		<b>TRASFORMATORE 160VA 230/17V</b>	<b>TRANSFORMER 160VA 230/17V</b>	a
103	0PRM34		<b>TRASFORMATORE 160VA 120/17V</b>	<b>TRANSFORMER 160VA 120/17V</b>	b
104	0PRM35		TRASFORMATORE 60VA 230/24V	TRANSFORMER 60VA 230/24V	a
104	0PRM36		TRASFORMATORE 60VA 120/24V	TRANSFORMER 60VA 120/24V	b
105	0PRM37		PORTAFUSIBILE	FUSE SOCKET	a
105-a	0PRM38		FUSIBILE 5X20 T6,3A 230V	FUSE 5X20 T6,3A 230V	a
105-b	0PRM39		FUSIBILE 5X20 T10A 120V ETL	FUSE 5X20 T10A 120V ETL	b
105-c	0PRM40		FUSIBILE 5X20 T315MA 230V	FUSE 5X20 T315MA 230V	a
105-d	0PRX41		<b>FUSIBILE 5X20 T500MA 120V ETL</b>	<b>FUSE 5X20 T500MA 120V ETL</b>	b
105-e	0PRX40		<b>FUSIBILE 5X20 T-Q-2A 120V ETL</b>	<b>FUSE 5X20 T-Q-2A 120V ETL</b>	b
106	0PRM41		PROTEZIONE MAGNETO-TERMICA 16A	MAGNETO-THERMAL PROT. 16A	b
107	0PRM42		MORSETTO DI TERRA	GROUND CLAMP	a
107	0PRM43		MORSETTO DOPPIO	DOUBLE STANDARD CLAMP	b
108	0PRM60		CONTATTORE LP4-K0910BW3	CONTACTOR LP4-K0910BW3	b
108-a	0PRX42		<b>CONTATTORE LC1 SK 0600B7 120V</b>	<b>CONTACTOR LC1 SK 0600B7</b>	b
108-b	0PRX43		<b>CONTATTORE LP1 SK 0600BD 120V</b>	<b>CONTACTOR LP1 SK 0600BD</b>	b
108-c	0PRX44		<b>CONTATTORE AUSIL. LA1 120SK11 120V</b>	<b>CONTACTOR LA1 SK11</b>	b
109	0PRM44		GRUPPO MEMBRANA	MEMBRANE GROUP	
110	0PRM61		CONTRODADO 1/2"	LOCK NUT 1/2"	
111	0PRM62		GUARNIZIONE OR 4106	GASKET OR 4106	
112	0PRM45		ELETTROMAGNETE	ELECTROMAGNET	
113	0PRM63		RACCORDO A T Ø6	T-UNION Ø6	
114	0PRM46		RACCORDO CURVO Ø8-1/4"	CURVED UNION Ø/-1/4"	
115	0PRM47		MANICOTTO FILETTATO	THREADED SLEEVE	
116	0PRM64		ELETTROV. PER SALDATURA 24V	SEALING SOLENOID VALVE 24V	
117	0PRM65		RACCORDO DIRITTO Ø6-1/8"	STRAIGHT UNION Ø6-1/8"	
118	0PRM71		PORTAGOMMA 1/2" X 20	RUBBER HOLDER 1/2" X 20	
119	0PRM66		RACCORDO A L 1/2"	L-UNION 1/2"	
120	0PRM48		NIPPLO CONICO 1/2"	TAPER NIPPLE 1/2"	
121	0PRM49		RACCORDO A T M.F.F. G1/2" (X 6MC)	T-UNION M.F.F.G1/2" (X 6MC)	
122	0PRM67	ELETTROVALVOLA RIENTRO ARIA 24V	AIR RETURN SOLENOID VALVE 24V		

Pos	SPARE PART CODE	FACTORY CODE	DESCRIZIONE	DESCRIPTION	RE/ NOTE
123	<a href="#">0PRM50</a>	FM750264	SILENZIATORE X 6MC	SILENCER X 6MC	a b
124			RIDUZIONE 1/2"M - 3/8" F (X 6MC)	REDUCTION 1/2"M - 3/8" F (X 6MC)	
125	<a href="#">0PRM51</a>		GOMITO 3/8" M.M. (X 6 MC)	ELBOW 3/8" M.M. (X 6 MC)	
126	<a href="#">0PRM69</a>		POMPA 6MC 230V	PUMP 6MC 230V	
126	<a href="#">0PRM52</a>		POMPA 6MC 120V ETL	PUMP 6MC 120V ETL	
127	<a href="#">0PRM53</a>		MICROINTERRUTTORE	MICROSWITCH	
128	<a href="#">0PRM54</a>		GRUPPO BARRA SALDANTE	SEALING BAR GROUP	
129	<a href="#">0PRM55</a>		SCHEDA USER INTERFACE	USER INTERFACE BOARD	
130	<a href="#">0PRM56</a>		TUBO X ALIMENTI Ø20X2,5	TUBE X FOODSTUFFS Ø20X2,5	
131	<a href="#">0PRM70</a>		TUBO X ALIMENTI Ø6X2,5	TUBE X FOODSTUFFS Ø6X2,5	
132	<a href="#">0PRM57</a>		PROFILO X IMPIANTO ELETTRICO	PROFILE FOR ELECTRICAL BOX	
133	<a href="#">0PRM58</a>		PIASTRA SUPP. CASSETTO ELETTRICO	METAL PLATE FOR ELECTRICAL BOX	
134	<a href="#">0PRM59</a>		FILTRO ANTIDISTURBO	FILTER	
135	<a href="#">0PRW42</a>			<b>FILTRO RETE RC</b>	