

THE
COMBINATION
OVEN
SPARE PARTS
CATALOGUE



GRAND CUISINE
BY ELECTROLUX PROFESSIONAL

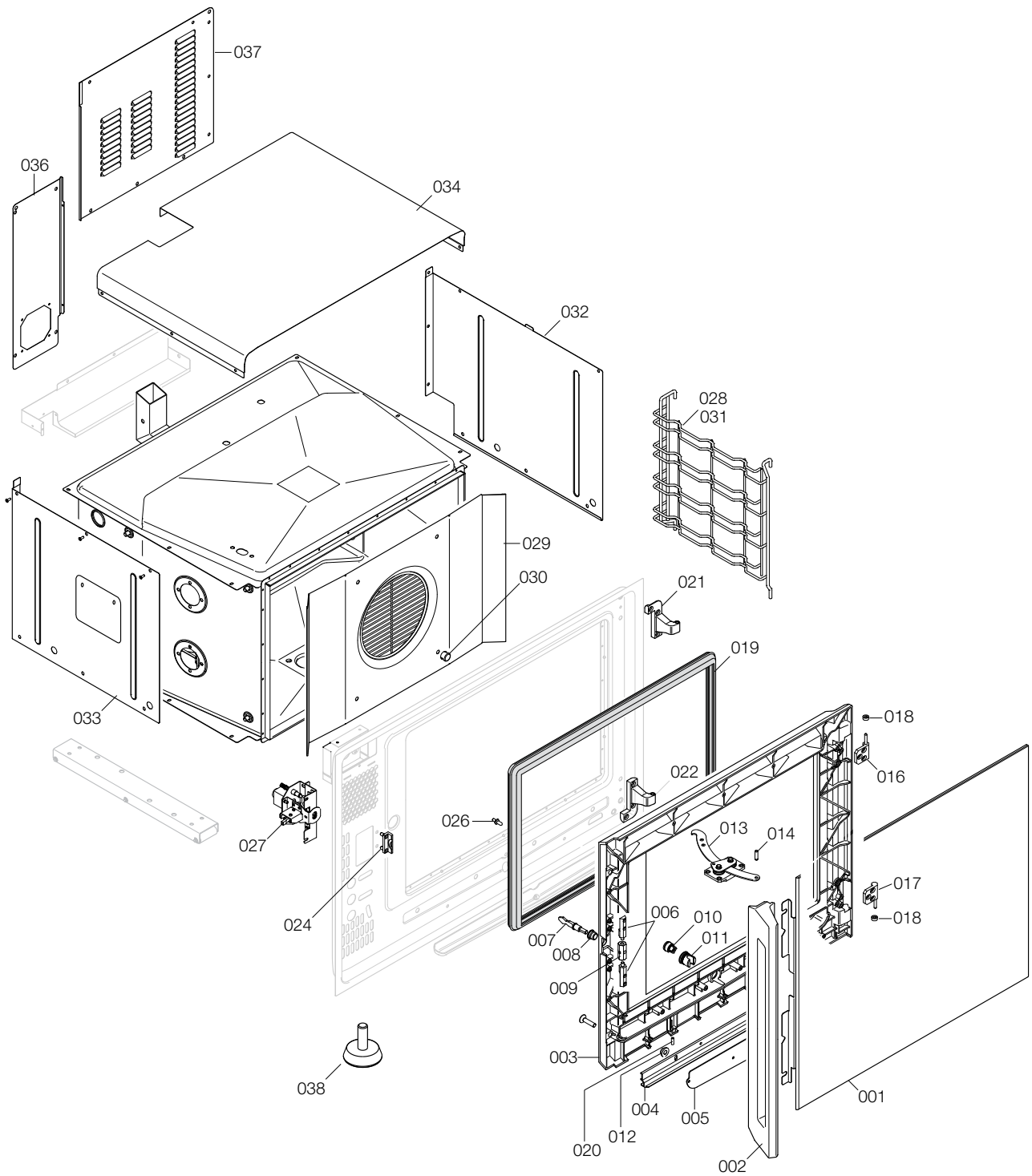


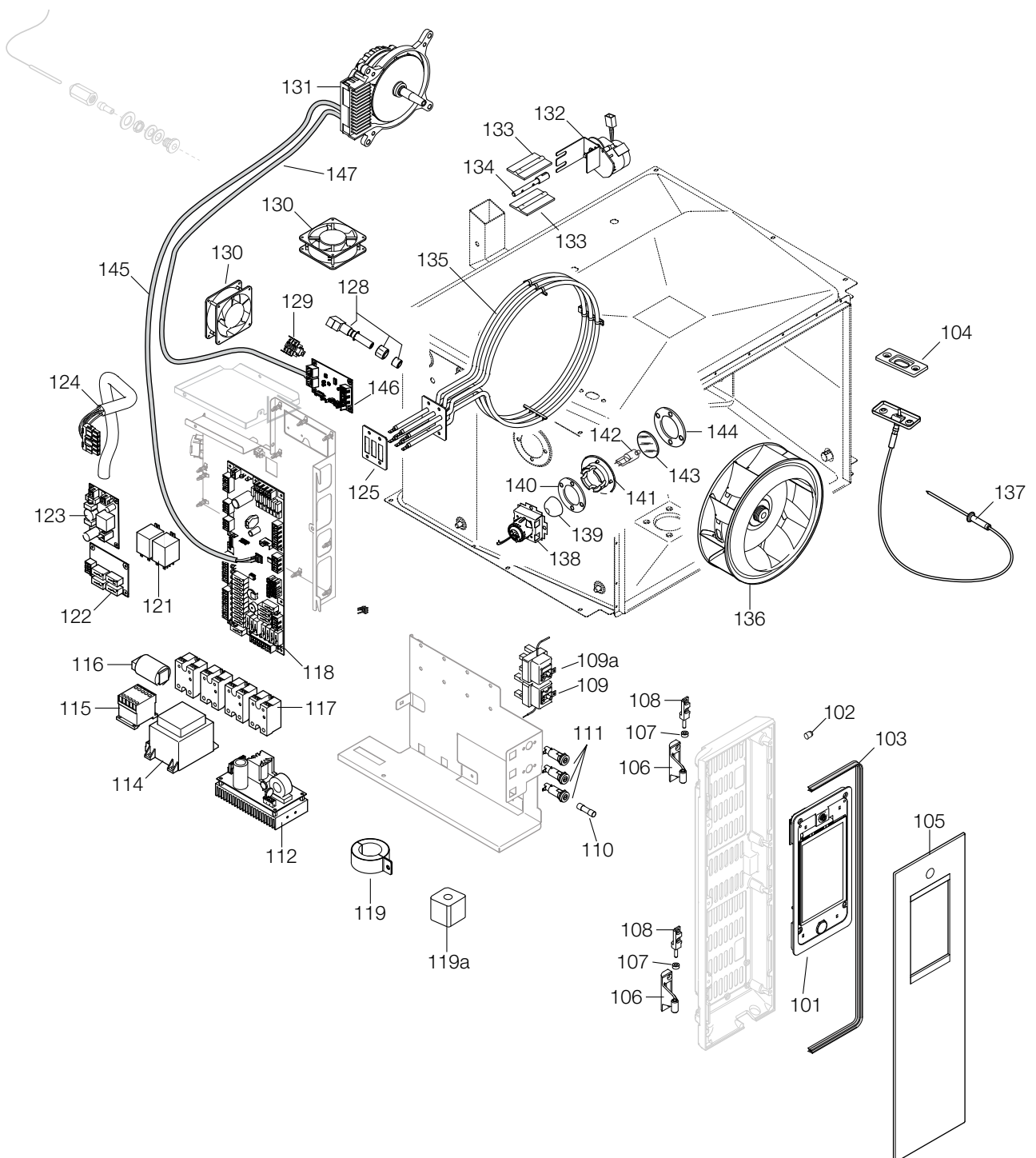
GRAND CUISINE

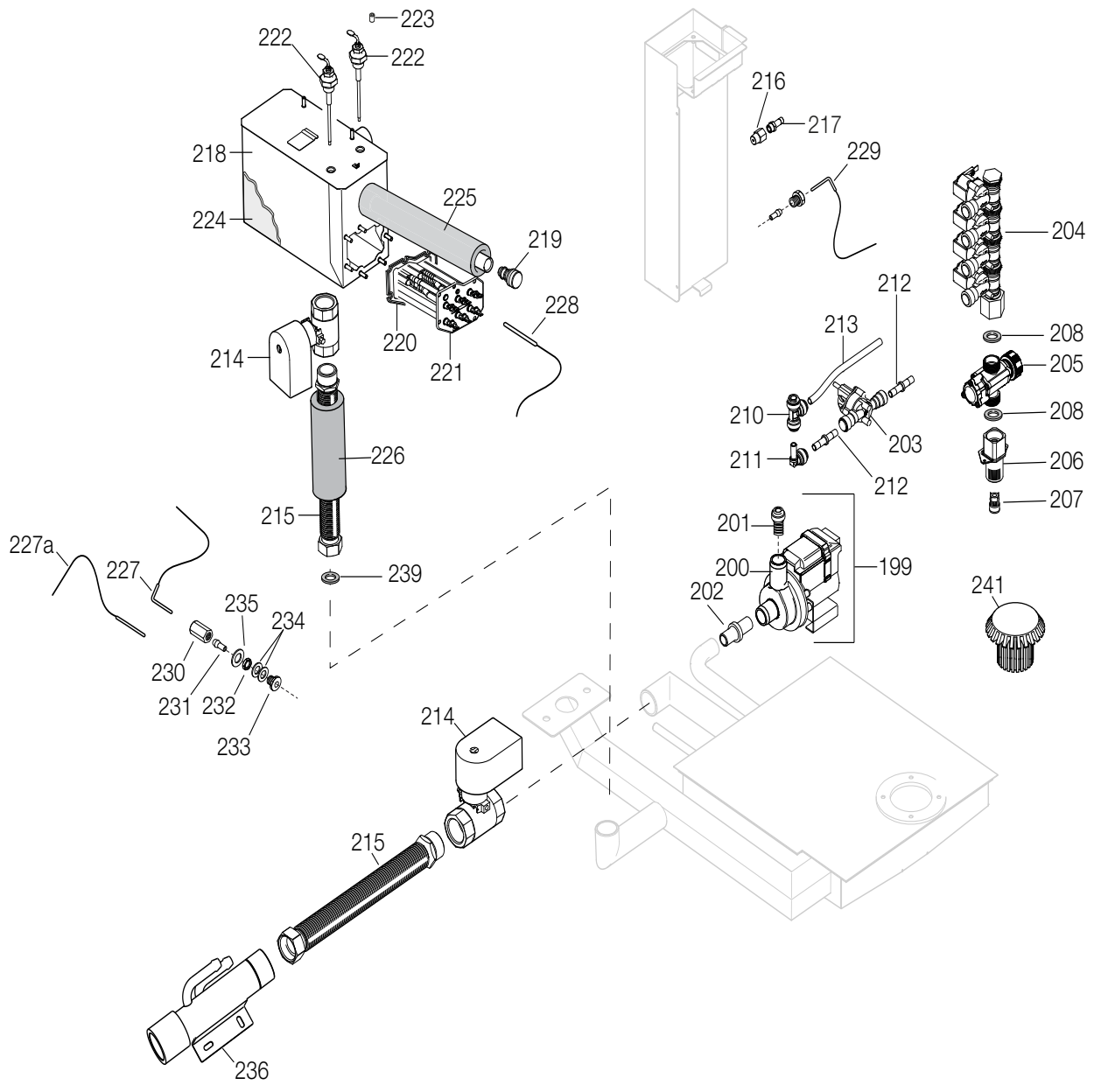
BY ELECTROLUX PROFESSIONAL

PNC	MODEL	NOTES
260570	GC0SAR	a - EU
260571	GC0BAR	b - EU
P40492/260750	GC0SAR	c - USA

PAG	INDEX	INDICE
3	Door and Panel	Porta e Pannellature
4	Electrical Components	Componenti Elettrici
5	Hydraulic Components	Componenti Idraulici
6-8	Spare Parts List	Lista Ricambi







COMBINATION OVEN

Pos	SPARE PART CODE	FACTORY CODE	DESCRIZIONE	DESCRIPTION	REF/NOTE
			PAGINA 3	PAGE 3	
001	OC9515	855401802	ASS.VETRO PORTA	DOOR GLASS ASSEMBLY	a up to 337 - c
001	*	855401804	ASS.VETRO PORTA	DOOR GLASS ASSEMBLY	a from 338
001	OC8927	855F00B01	ASS.VETRO PORTA	DOOR GLASS ASSEMBLY	b
002	093683		MANIGLIA	HANDLE	
003	*		ASS.PORTA CON VETRO INTERNO	DOOR WITH INNER GLASS	
004	OC8922		REGGI VETRO	GLASS HOLDER	
005	OC8917		COPERCHIO VASCHETTA	COVER DRAIN TRAY	
006	OC8925		TASSELLO ROTAZIONE	ANCHOR OF ROTATION	
007	OC9526	514F01V01	NASELLO	DOOR CATCHER	
008	OC8926		GUARNIZIONE NASELLO	GASKET FOR DOOR CATCHER	
009	OC9527	514F01W01	GRUPPO ROTAZIONE NASELLO	DOOR CATCHER SUPPORT	
010	OC9318		VALVOLA DI NON RITORNO	NONRETURN VALVE	
011	OC9682		BUSSOLA PORTA VALVOLA	VALVE SUPPORT	
012	OC8923		BOCCOLA PER REGGI VETRO	GLASS HOLDER BUSH	
013	OC8881		ASS. BLOCCO PORTA	COMPLETE DOOR STOPPER	
014	093909	518F00701	PERNO	PIN	
016	093686	805F00501	CARDINE SUPERIORE	UPPER HINGE	
017	093688	805F00601	CARDINE INFERIORE	LOWER HINGE	
018	093673		BOCCOLA PER CARDINE	BUSHING FOR HINGE	
019	OC8880		GUARNIZIONE PORTA	DOOR GASKET	
020	0TH059		VITE M5X8	SCREW M 5X8	
021	093685		CERNIERA SUPERIORE	UPPER HINGE	
022	093684		CERNIERA INFERIORE	LOWER HINGE	
024	093677		STAFFA BLOCCO CRUSCOTTO	BRACKET CONTROL PANEL	
026	OC8879		PIOLO APRI VALVOLA	PIN FOR NOT RE-FLOW VALVE	
027	OC9516	805F01801	GRUPPO CHIUSURA	CLOSING MECHANISM	Up to 3371...
027	OC9749	805F01803	GRUPPO CHIUSURA	CLOSING MECHANISM	From 3381...
028	OC8931	830401C02	GRIGLIA PORTATEGLIE DESTRA	RIGHT TRAY SUPPORT	
029	OC8929		PARETE ASPIRAZIONE	SUCTION WALL	
030	OC9517	514F01300	DADO PARETE	NUT	
031	OC8930	830401B02	GRIGLIA PORTATEGLIE SINISTRA	LEFT TRAY SUPPORT	
032	OC9518	805F01302	ASS. PANNELLO DX	RIGTH PANEL	
033	OC9519	805F01401	PANNELLO SX	LEFT PANEL	Up to 519...
033	*	805F01402	PANNELLO SX	LEFT PANEL	From 520...
034	OC9520	805F01202	PANNELLO SUPERIORE	UPPER PANEL	
036	OC9521	503F00602	PANNELLO POSTERIORE	BACK PANEL	Up to 519...
036	*	503F00603	PANNELLO POSTERIORE	BACK PANEL	From 520...
037	OC8933		PANNELLO POSTERIORE	BACK PANEL	

COMBINATION OVEN

Pos	SPARE PART CODE	FACTORY CODE	DESCRIZIONE	DESCRIPTION	REF/NOTE
038	OCA601	518702200	PIEDINO	FOOT	
			PAGINA 4	PAGE 4	
101	OC8905	0805F00304	USER INTERFACE TOUCH	USER INTERFACE TOUCH	
102	OC8900		TAPPO DI CHIUSURA	COVER SCREW LOCK	
103	OC8901		GUARNIZIONE CRUSCOTTO	GASKET FOR CONTROL PANEL	
104	OC9333		GUARNIZIONE SPILLONE	GASKET FOR MEAT PROBE	
105	OC8928	855F00C00	VETRO CRUSCOTTO	CONTROL PANEL GLASS	a - c
105	OC8903	855F00D01	VETRO CRUSCOTTO	CONTROL PANEL GLASS	b
106	093671		CERNIERA CRUSCOTTO	HONGE FOR CONTROL PANEL	
107	093673		BOCCOLA PER CERNIERA	BUSHING FOR HINGE	
108	093672		CARDINE CRUSCOTTO	CONTROL PANEL HINGE	
109a	OC8888		LIMITATORE BOILER 130°C	LIMITER, BOILER	
109	OC8887		LIMITATORE CELLA 357°C	LIMITER, CAVITY	
110	OC9297		FUSIBILE 6.3A 5x20 (ausiliari)	FUSE	a b
110	OC9316		FUSIBILE 800MA (prim.trasformatore)	FUSE	a b
110	OC9523	652F00200	FUSIBILE 250MA 5x20 (prot.ventole)	FUSE	a b
110	OCA547	652803100	FUSIBILE5X20 T1.6A ST520216 OMEGA250V WEBER0431601	FUSE	c
110	OCA548	652801600	FUSIBILE 800MA (prim.trasformatore)	FUSE	c
110	OC9322	652803200	FUSIBILE 250MA 5x20 (prot.ventole)	FUSE	c
111	OC9376		PORTAFUSIBILI	FUSE HOLDER	
112	OC8885		ALIMENTATORE MOTORE	EL. BOARD FOR MOTOR	
114	OC8886		TRASFORMAT. 100VA 230/10-24V	POWER SUPPLY	a b
114	OCA542	624F00100	TRASFOR. 150VA 208/230/240 - 10/24V + PTC INT.	POWER SUPPLY	c
115	OC9303		CONTATTORE KS	CONTACTOR	a b
115	OC9280	648807400	CONTATTORE B&J K3 18A 230V 50/60 HZ	CONTACTOR	c
116	OC9290	694605400	FILTRO ANTI-DISTURBO	FILTER	
117	OC8889		RELE' STATICI MONO FASE 50A	STATIC RELAY	
118	OC9524	675F00J04	SCHEDA MADRE COP20 G SW..	MAIN BOARD	
119	OC9360	694F00100	FERRITE	DIELECTRIC BEAD	
119A	OC9358	694F00201	FERRITE	DIELECTRIC BEAD	
121	OC9296	648803001	RELE' finder 60.62.8.230	RELAY	
122	OC8776		SCHEDA ON/OFF	ON/OFF BOARD	
123	OC9283		ALIMENTATORE Sonda LAMBDA	LAMBDA SENSOR BOARD	
124	OC8864	0638F00603	CAVO ALIMENTAZIONE	MAIN CABLE	
125	OC8836		GUARNIZIONE RESISTENZA CELLA	GASKET, CAVITY HEATING EL.	

COMBINATION OVEN

Pos	SPARE PART CODE	FACTORY CODE	DESCRIZIONE	DESCRIPTION	REF/NOTE
128	0C9281		SONDA LAMBDA	LAMBDA SENSOR	
129	0C8890		CLICKSON 60° + NC 90°	CLICKSON	
130	0C8897		VENTILATORE	FAN	
131	0C8820		MOTORE CELLA 220W brushless	MOTOR	
132	0C9351		MOTORIDUTTORE valvola farfalla	MOTOREDUCER	a b
132	0CA543	835F00Z00	MOTORIDUTTORE valvola farfalla	MOTOREDUCER	c
133	0C9286		FARFALLA per condotto aria	VENTING VALVE	
134	0C8841		ALBERO VALVOLA FARFALLA	SHAFT FOR VENTING VALVE	
135	0C9057	617F00400	RESISTENZA CELLA 230V 6KW	HEATING ELEMENT, CAVITY	a b
135	0CA544	617F00500	RESISTENZA CELLA 208V 6KW	HEATING ELEMENT, CAVITY	c
136	0C8848		VENTOLA CELLA	FAN	
137	0C8863		SPILLONE 6 PUNTI	MEAT PROBE 6 POINTS	
138	0C9284	665F00000	PORTALAMPADA	LAMP HOLDER	
139	0C8865		CALOTTA RIFLETTENTE	REFLECTOR	
140	0C9350	543843500	GUARNIZIONE FIBRA DI VETRO	GASKET	
141	0C9266		GUARNIZIONE PORTALAMPADA	GASKET	
142	0C9338	660808300	LAMPADA 12V 10W	LAMP	Up to 519...
142	*	660400100	LAMPADA 12V 10W	LAMP	From 520...
143	0C9267	574804900	VETRO	GLASS	
144	0C8866		FLANGIA PER GUAR.PORTALAM.	FLANGE	
145	0CA129	675F00N00	CAVETTO COMUNICAZIONE COP20CAN	CABLE COP20CAN	
146	0C9772	0675F00K01	SCHEDA COP20CAN REV3, SW VER.08	BOARD COP20CAN REV3, SW VER.08	
147	0CA107	0638F00500	CAVETTO COMUNICAZIONE CAN- BUS FORNO	CABLE CAN-BUS	
			PAGINA 5	PAGE 5	
199	0C9742	830F00G01	ASSIEME POMPA	COMPLETE PUMP	
200	0C8851		POMPA	PUMP	a b
200	0CA545	686F00100	POMPA	PUMP	c
201	0C8852		MANICOTTO USCITA POMPA	OUTLET COUPLING	
202	0C8853		MANICOTTO ENTRATA POMPA	INLET COUPLING	
203	0C8858		CONTALITRI	FLOWMETER	
204	0C9528	830F01501	DISTRIBUTORE H2O	H2O DISPENSER	
205	0C8857		FILTRO + REGOLATORE 3/4	FILTER + PRESSURE REDUCER	
206	0C8859		RACCORDO ENTRATA	INLET JUNCTION	
207	0C9318	549801800	VALVOLA DI NON RITORNO	NOT RE-FLOW VALVE	
208	0C9542	543840600	GUARNIZIONE FILTRO	GASKET	
210	0C8862		RACCORDO A T	T JUNCTION	
211	0C8861		RACCORDO 90°	90° JUNCTION	
212	0C8860		GIUNTO D 8	JUNCTION	

COMBINATION OVEN

POS	SPARE PART CODE	FACTORY CODE	DESCRIZIONE	DESCRIPTION	REF/NOTE
213	0C9317	546814600	TUBO 6X8	PIPE	
214	0C9318	549801800	VALVOLA SCARICO VASCHETTA	VALVE	
215	0C8869		TUBO FLESSIBILE 1'	FLEXIBLE PIPE	
216	0C9335		UGELLO 1/4' FD3.5-3/8'	NOZZLE	abb.fumane
217	0C8895		RACCORDO 1/4'	PIPE HOLDER	
218	0C8867		BOILER	BOILER	
219	0C9268		TAPPO DISINCROSTANTE	STOPPER	
220	0C8836	543F00A00	GUARNIZIONE RESISTENZA	GASKET, BOILER H.E.	
221	0C8873	617F00200	RESISTENZA BOILER 6 KW	HEATING ELEMENT, BOILER	a b
221	0CA546	617F00300	RESISTENZA BOILER 6KW 208V	HEATING ELEMENT, BOILER	c
222	0C9282		SONDA DI LIVELLO LW6	LEVEL PROBE	
223	0C9294	515857001	DISTANZIALE SONDA DI LIVELLO	SPACER	
224	0C8868		ISOLAMENTO CORPO BOILER	BOILER INSULATION	
225	0C8872		TUBO ISOLANTE CARICO BOILER	INLET BOILER INSULATION	
226	0C8870		ISOLAMENTO SCARICO BOILER	OUTLET BOILER INSULATION	
227	0C8847	830F00900	TERMOCOPPIA CELLA CURVA	CAVITY PROBE "CURVED"	up to 3101..
227a	0C9378	830F00902	TERMOCOPPIA CELLA DIRITTA	CAVITY PROBE "STRAIGHT"	from 3111..
228	0C8891		TERMOCOPPIA BOILER	BOILER PROBE	
229	0C9529	653F00401	TERMOCOPPIA ABBATTITORE	BYPASS PROBE	
230	0C9531	516400400	DADO SONDA CELLA		
231	0C9269		TENUTA SONDA	OGIVE FOR SENSOR	
232	0C9287		CONTRODADO PORTA UGELLO	LOCK NUT	
233	0C9265		RACCORDO SONDA CELLA	CONNECTION, CAVITY PROBE	
234	0C9533	508864000	RONDELLA	WASHER	
235	0C9359		OR	OR	
236	0CA558	830F02N00	COLLETTORE DI SCARICO	DRAIN MANIFOLD	
241	0C8932		FILTRO	FILTRO	