

THE
BLAST CHILLER
SPARE PARTS
CATALOGUE



GRAND CUISINE
BY ELECTROLUX PROFESSIONAL



GRAND CUISINE

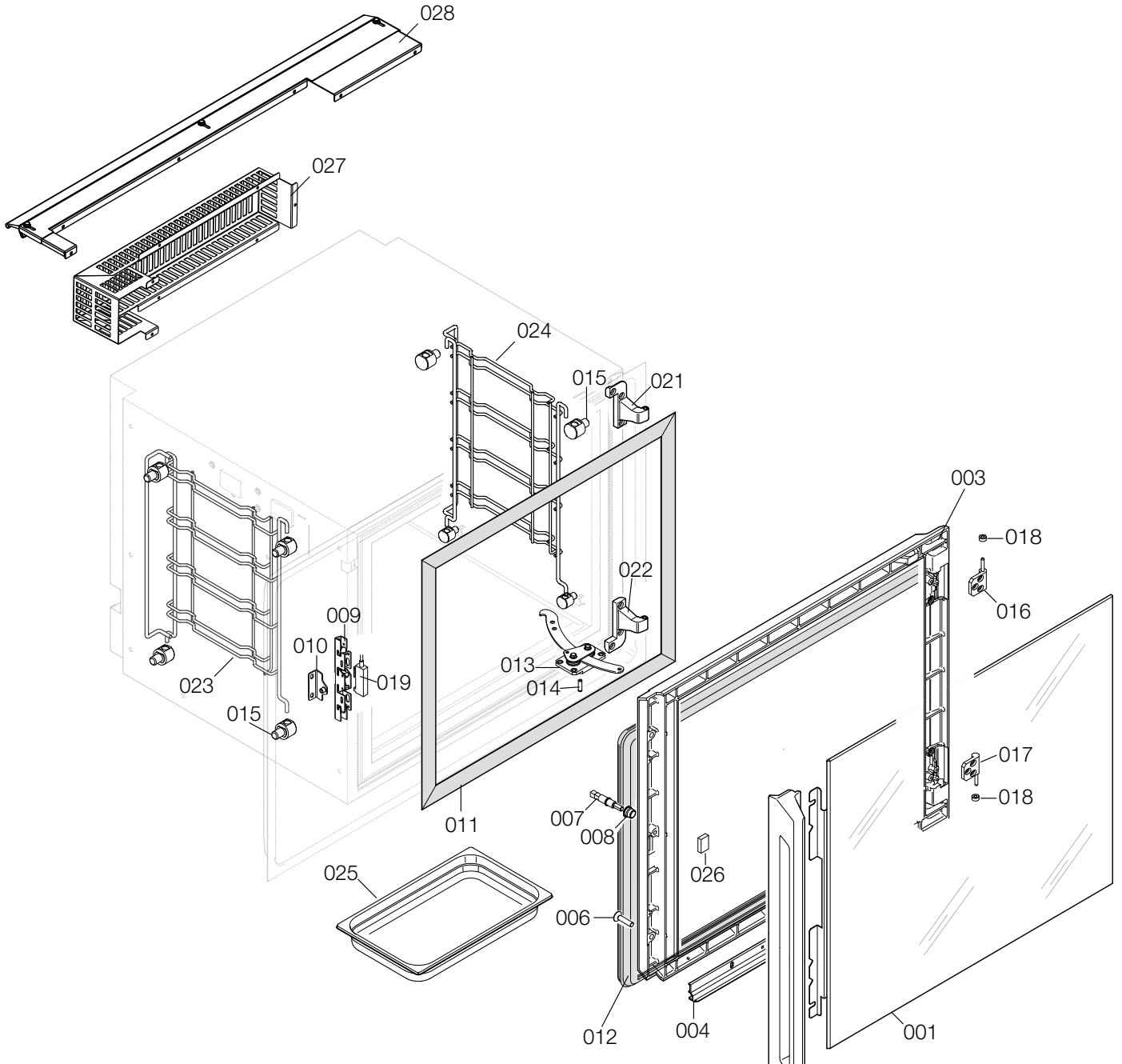
BY ELECTROLUX PROFESSIONAL

PNC	MODEL	PAGE	REF	NOTES
				I.C.
732001	GBFSCR	3-5-7	a	06 EU
732005	GBFSCL	4-6-8	b	04 EU
P71423/732003	GBFSDR	3-5-7	c	03 USA
P71414/732007	GBFSDL	4-6-8	d	02 USA

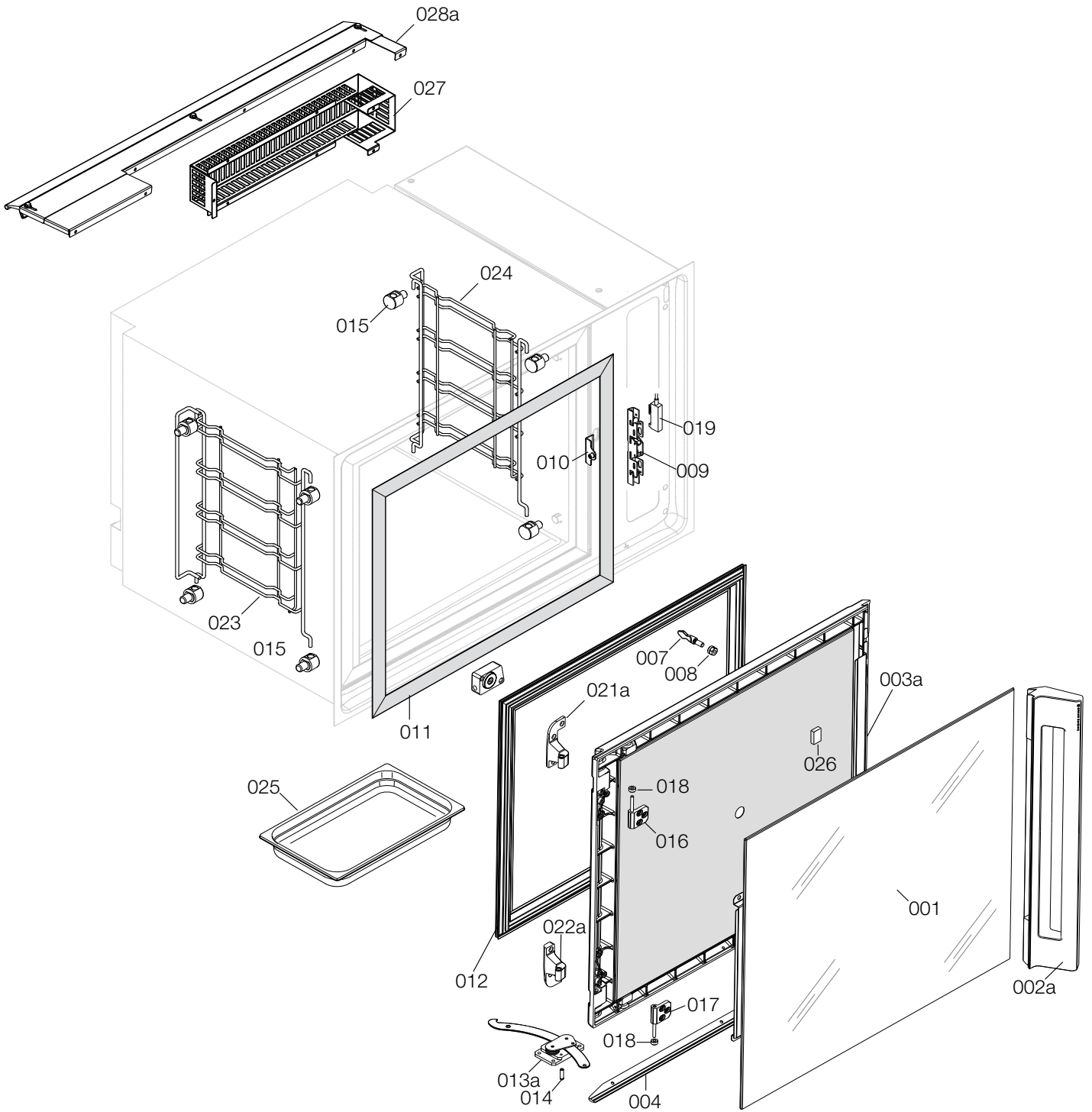
PAG	INDEX	INDICE
3-4	Door and Panel	Porta e Pannellature
5-6	Electrical Components	Componenti Elettrici
6-7	Chiller Components	Componenti Frigoriferi
8-10	Spare Parts List	Lista Ricambi

Ed. 2013 10

RIGHT HINGES

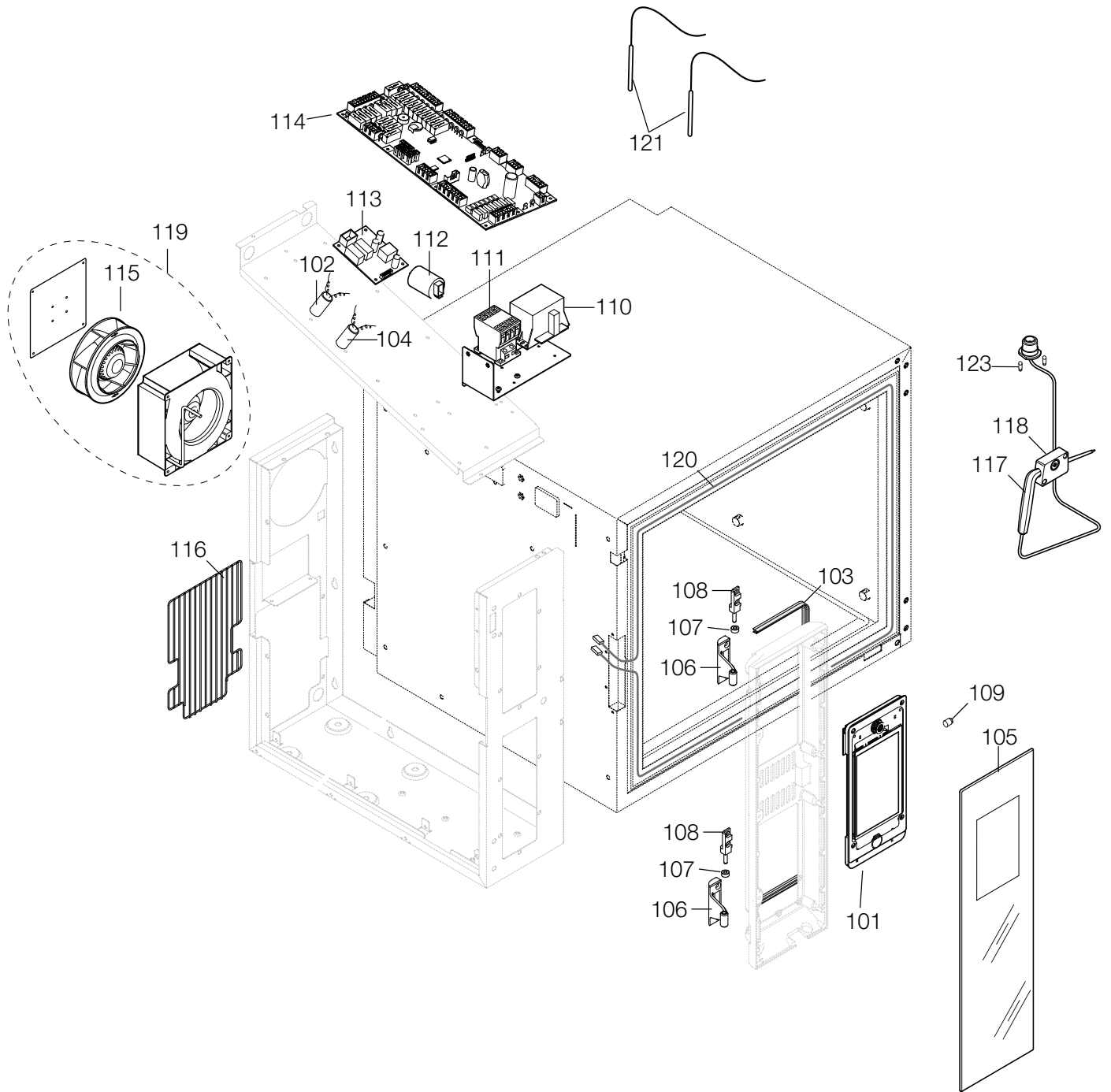


LEFT HINGES

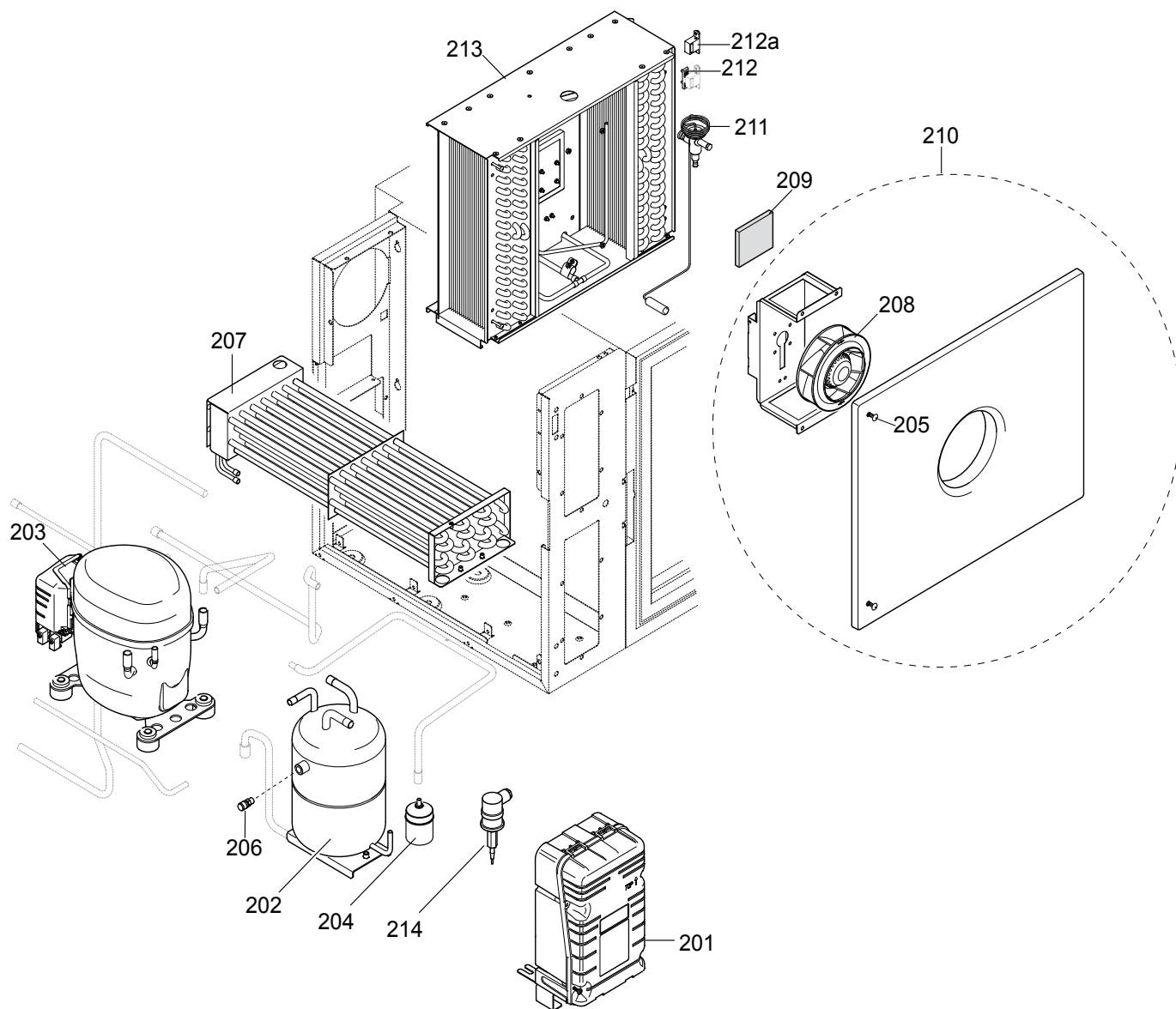


Ed. 2013 10

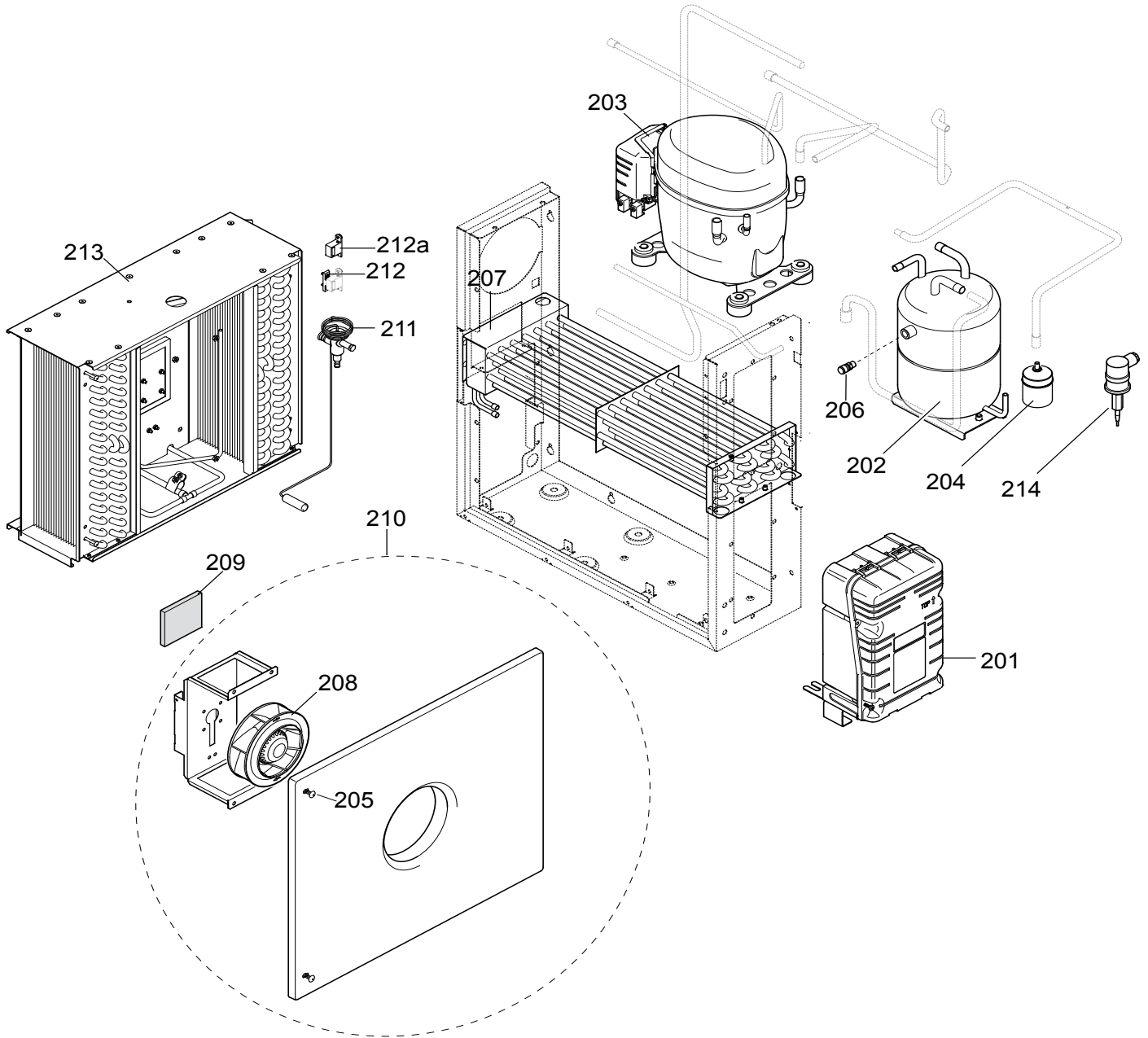
RIGHT HINGES



RIGHT HINGES



LEFT HINGES



BLAST CHILLER

POS	SPARE PART CODE	FACTORY CODE	DESCRIZIONE	DESCRIPTION	REF/NOTE
			PAGINA 3_4	PAGE 3_4	
001	093681	805F00204	VETRO PORTA	DOOR GLASS	
002	093683	511400H02	MANIGLIA dx	HANDLE R	a,c
002a	094590	511F00P01	MANIGLIA sx	HANDLE L	b,d
003	093902	805F00107	ASSIEME PORTA SCHIUMATA dx	COMPLETE DOOR FOAMED R	a,c
003a	094589	805F01Q03	ASSIEME PORTA SCHIUMATA sx	COMPLETE DOOR FOAMED L	b,d
004	093691	500F00601	PROFILO REGGI VETRO	GLASS HOLDER	
006	094062	518R04000	VITE PER FISSAGGIO MANIGLIA	SCREW	
007	093904	514F01102	INNESTO SCROCCHETTO	DOOR CATCHER	
008	093905	514F01201	CONTRODADO PER INNESTO SCR.	NUT FOR DOOR CATCHER	
009	093906	877779000	SCROCCHETTO DI CHIUSURA	CLOSING MECHANISM	
010	093907	504F02Y00	STAFFA BLOCCO CRUSCOTTO	BRACKET CONTROL PANEL	
011	094596	541F00F01	CORNICE FACCIATA	FRONT GASKET	
012	093682	543F00300	GUARNIZIONE PORTA	DOOR GASKET	
013	093692	835F00204	ASS. BLOCCO PORTA	COMPLETE DOOR STOPPER	a,c
013a	094591	835F00K01	ASS. BLOCCO PORTA	COMPLETE DOOR STOPPER	b,d
014	093909	518F00701	PERNO	PIN	
015	0C8838	514401M01	SUPPORTO GRIGLIE PORTATEGLIE	SUPP. LEFT AND RIGHT TRAY S.	
016	093686	805F00501	CARDINE SUPERIORE	UPPER HINGE	
017	093688	805F00601	CARDINE INFERIORE	LOWER HINGE	
018	093673	514F00401	BOCCOLA PER CARDINE	BUSHING FOR HINGE	
019	093840	640R01402	MICROINTERRUTTORE REED	MICROSWITCH REED	
021	093910	805F01Y01	CERNIERA SUPERIORE	UPPER HINGE	a,c
021a	093911	805F01X01	CERNIERA SUPERIORE	UPPER HINGE	b,d
022	093911	805F01X01	CERNIERA INFERIORE	LOWER HINGE	a,c
022a	093910	805F01Y01	CERNIERA INFERIORE	LOWER HINGE	b,d
023	093642	514F00002	GRIGLIA PORTATEGLIE SINISTRA	LEFT TRAY SUPPORT	a,b
023	094597	514F02500	GRIGLIA PORTATEGLIE SINISTRA	LEFT TRAY SUPPORT	c,d
024	093643	514F00102	GRIGLIA PORTATEGLIE DESTRA	RIGHT TRAY SUPPORT	a,b
024	094598	514F02400	GRIGLIA PORTATEGLIE DESTRA	RIGHT TRAY SUPPORT	c,d
025	093644	504F00802	VASCHETTA RACCOGLI CONDENSA	DRAIN TRAY	
026	093843	549803000	MAGNETE	MAGNET	
027	094594	504F00G01	SCHERMATURA TUBI	PIPES PROTECTIONS	
028	094615	830F02S01	SEPARATORE DI FLUSSO	AIR FLOW PROTECTION	a,c
028a	094616	830F02900	SEPARATORE DI FLUSSO	AIR FLOW PROTECTION	b,d
			PAGINA 5_6	PAGE 4_6	
101	0C8905	805F00305	USER TOUCH	USER INTERFACE TOUCH	a,c
101a	0C8804	805F01G03	USER TOUCH	USER INTERFACE TOUCH	b,d
102	093662	648F00100	CONDENSATORE 1.5 MF. 400V	CAPACITOR	a,b

Ed. 2013 10

BLAST CHILLER

POS	SPARE PART CODE	FACTORY CODE	DESCRIZIONE	DESCRIPTION	REF/NOTE
102	094599	648729500	CONDENSATORE 5 MF. 400V	CAPACITOR 5 MF. 400V	c,d
103	0C8901	543834400	GUARNIZIONE CRUSCOTTO	GASKET FOR CONTROL PANEL	
104	093663	648F00000	CONDENSATORE 2 MF. 400V	CAPACITOR	a,b
104	094600	648R02800	CONDENSATORE 6 MF. 400V	CAPACITOR 6 MF. 400V	c,d
105	093912	805F00D01	VETRO CRUSCOTTO	CONTROL PANEL GLASS	a,c
105	094593	805F01R02	VETRO CRUSCOTTO	CONTROL PANEL GLASS	b,d
106	093671	511F00203	CERNIERA CRUSCOTTO	HINGE FOR CONTROL PANEL	
107	093673	514F00401	BOCCOLA PER CARDINE	BUSHING FOR HINGE	
108	093672	805F00703	CARDINE CRUSCOTTO	CONTROL PANEL HINGE	
109	0C8900	514F01400	TAPPO DI CHIUSURA	COVER SCREW LOCK	
110	093661	624R01501	TRASFORMATORE 120-230/24V	POWER SUPPLY	
111	093913	648729600	CONTATTORE K3-22 A10-230	CONTACTOR A10-230	a,b
111	094601	648R06200	CONTATTORE K3-22 110-120VAC	CONTACTOR 110-120VAC	c,d
112	093660	694R00600	FILTRO ANTI-DISTURBO	FILTER	a,b
113	0C8776	675400H04	SCHEDA ON/OFF	ON/OFF BOARD	
114	093651	648R04702	SCHEDA MADRE	MAIN BOARD	
115	093655	682F00100	VENTILATORE CONDENSATORE	FAN 220/50	a,b
115	094603	682F00700	VENTILATORE CONDENSATORE	FAN 115/60	c,d
116	093666	514F01G00	GRIGLIA	GRID	
117	093914	830F00F03	SPILLONE	MEAT PROBE	
118	093695	830F00K03	SUPPORTO SPILLONE	MEAT PROBE SUPPORT	
119	093915	835F00102	ASSIEME VENTILATORE+SCATOLA	COMPLETE FAN BOX 220/50	a,b
119	094604	835F00M01	ASSIEME VENTILATORE+SCATOLA	COMPLETE FAN BOX 115/60	c,d
120	093647	617F00001	CAVO RISCALDANTE 220/50	HEATING FRAME CABLE 220/50	a,b
120	094605	617F00600	CAVO RISCALDANTE 115/60	HEATING FRAME CABLE 115/60	c,d
121	093639	653F00100	SENSORE CELLA	CAVITY SENSOR	
121	093640	653F00200	SENSORE EVAPORATORE	EVAPORATOR SENSOR	
123	094150	518R04300	VITE RIBASSATA M4X12	SCREWS M4X12	
			PAGINA 7_8	PAGE 7_8	
201	*		SCATOLA ELETTRICA COMPRESSORE	ELECTRICAL BOX COMPRESSOR	
202	093653	512F00002	RICEVITORE SEPARATORE	HEATING EXCHANGER TANK	
203	093844	684R04200	COMPRESSORE CAE9470 Z R404A CSR 230V 50HZ	COMPRESSORE CAE9470 Z R404A CSR 230V 50HZ	a Replaced from 094587
203	094587	684R10000	COMPRESSORE AE4470Z TECH.	COMPRESSOR AE4470Z TECH.	a-b (adapt the pipes in case was present the previous model 0T6191)
203	094606	684R09400	COMP. R404A CSR 100-115V 60HZ	COMP. CSR 100-115V 60HZ	c,d
204	093839	646725601	FILTRO DEIDRATATORE	DRIER FILTER	
206	093841	646765300	VALVOLA FUSIBILE uI 1/8" 139°C	SAFETY FUSE uI 1/8" 139°C	
207	093654	694F00001	CONDENSATORE	CONDENSER	
208	093916	682F00000	VENTILATORE CELLA 220/50	CAVITY FAN 220/50	a,b

Ed. 2013 10

BLAST CHILLER

Pos	SPARE PART CODE	FACTORY CODE	DESCRIZIONE	DESCRIPTION	REF/NOTE
208	094607	682F00600	VENTILATORE CELLA 115/60	CAVITY FAN 115/60	c,d
209	093917	549F00D00	FILTRO CARBONI ATTIVI	ACTIVATED CARBON FILTER	
210	093918	0835F00004	ASSIEME PARETE ASPIRAZIONE	ASSEMBLED SUCTION WALL	a,b (220/50)
210	094608	0835F00L03	ASSIEME PARETE ASPIRAZIONE	ASSEMBLED SUCTION WALL	c,d (115/60)
211	093919	652F00000	VALVOLA TERMOSTATICA	THERMOSTATIC VALVE	
212	093920	511F00000	CERNIERA FISSA	HINGE	
212a	094592	511F00100	CERNIERA MOBILE	HINGE	
213	093979	830F00104	EVAPORATORE	EVAPORATOR	
214	093837	646728600	PRESSOSTATO ALTA PRESSIONE	HIGH SWITCH PRESSURE	

Ed. 2013 10