

**GAS FRY TOP CHROMED PLATE  
FRY TOP GAS PIASTRA CROMATA**

| <b>PNC</b> | <b>Model</b> | <b>Ref.</b> | <b>Page</b> | <b>Notes</b>   |
|------------|--------------|-------------|-------------|--|
| 168 872    | MR/G1 CL     | a           | 1- 3- 4     | Gas fry top 1/2 M chrome smooth plate " Zanussi "      |
| 168 875    | MR/G2 CL     | b           | 1- 3- 4     | Gas fry top 1 M chrome smooth plate " Zanussi "        |
| 168 878    | MRV/G1 CL    | c           | 2- 3- 4     | Gas fry top 1/2 M chrome smooth plate " Zanussi "      |
| 168 881    | MRV/G2 CL    | d           | 2- 3- 4     | Gas fry top 1 M chrome smooth plate " Zanussi "        |
| 168 072    | RR/G1 CL     | e           | 1- 3- 4     | Gas fry top 1/2 M chrome smooth plate " Electrolux "   |
| 168 075    | RR/G2 CL     | f           | 1- 3- 4     | Gas fry top 1 M chrome smooth plate " Electrolux "     |
| 168 078    | RRV/G1 CL    | g           | 2- 3- 4     | Gas fry top 1/2 M chrome smooth plate " Electrolux "   |
| 168 081    | RRV/G2 CL    | h           | 2- 3- 4     | Gas fry top 1 M chrome smooth plate " Electrolux "     |
| 168 894    | MR/G2 CM     | l           | 1- 3- 4     | Gas fry top 1 M chrome 1/3 ribbed plate " Zanussi "    |
| 168 094    | RR/G2 CM     | m           | 1- 3- 4     | Gas fry top 1 M chrome 1/3 ribbed plate " Electrolux " |

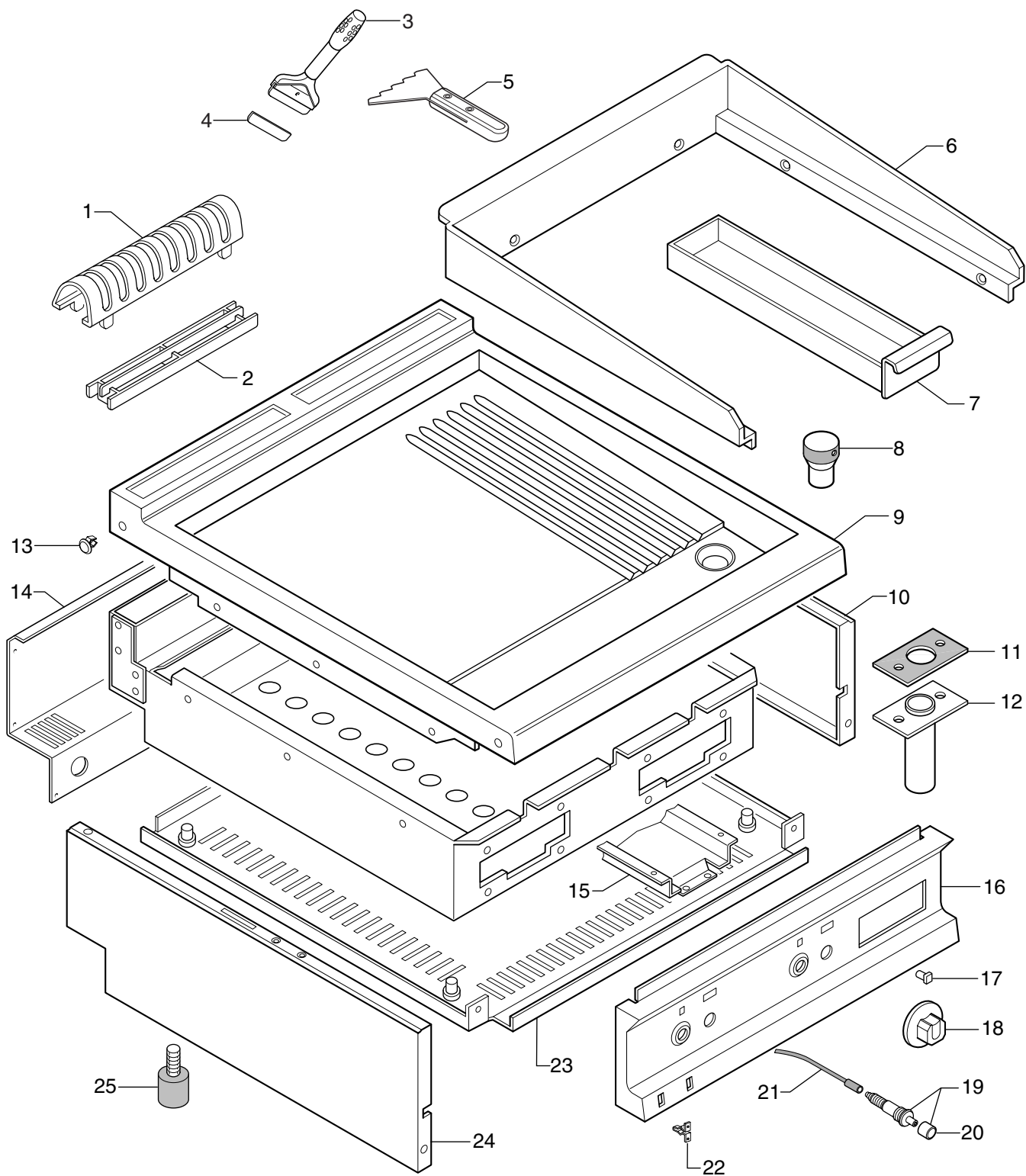
**Index**

|        |   |
|--------|---|
| Pag. 1 | Cooker top and components               |
| 2      | Cooker top with cupboard and components |
| 3      | Gas components                          |
| 4      | Nozzle list                             |
| 5-7    | Spare parts list                        |

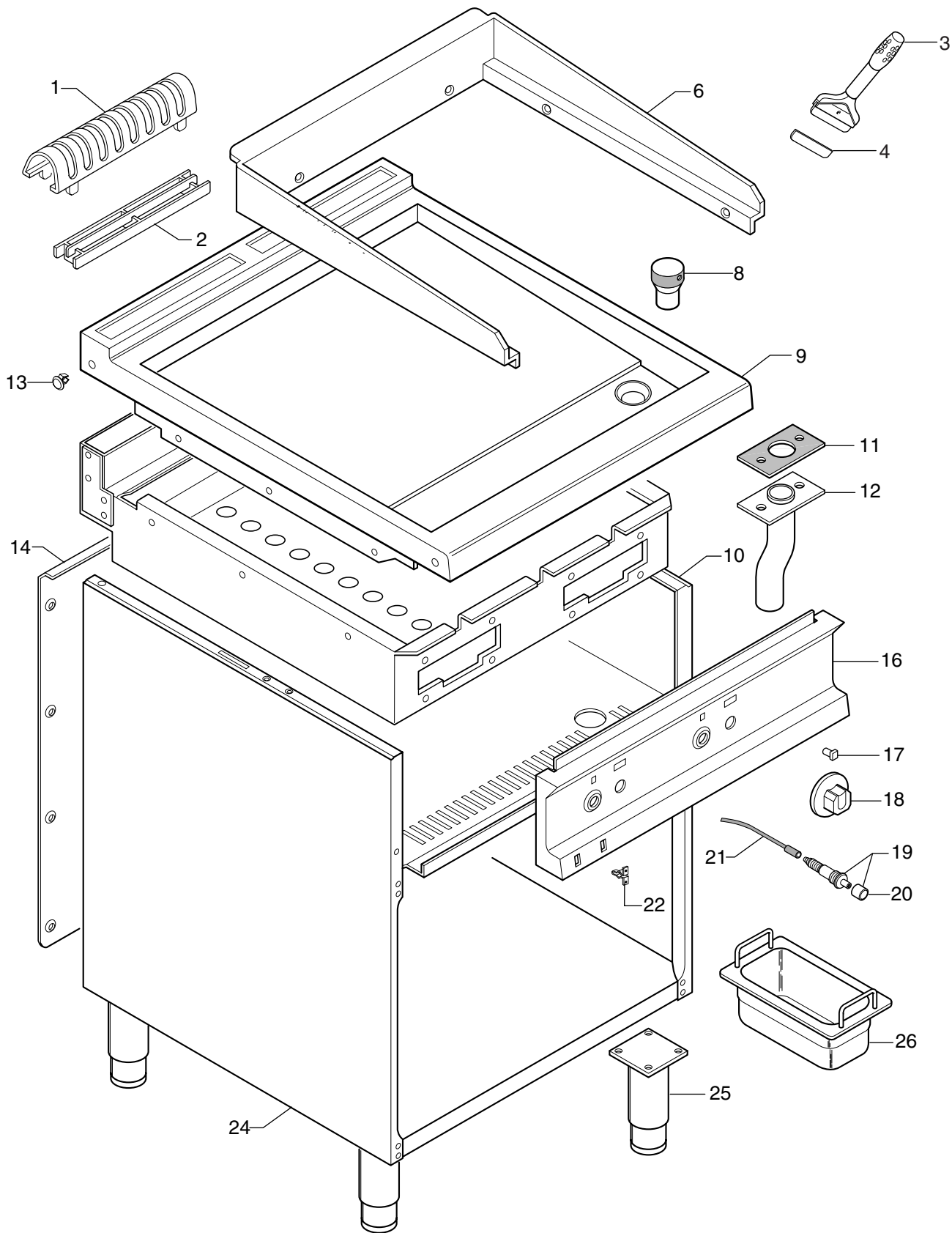
**Indice**

|                                    |
|------------------------------------|
| Piano cottura top e componenti     |
| Piano cottura su vano e componenti |
| Componenti gas                     |
| Tabella ugelli                     |
| Lista ricambi                      |

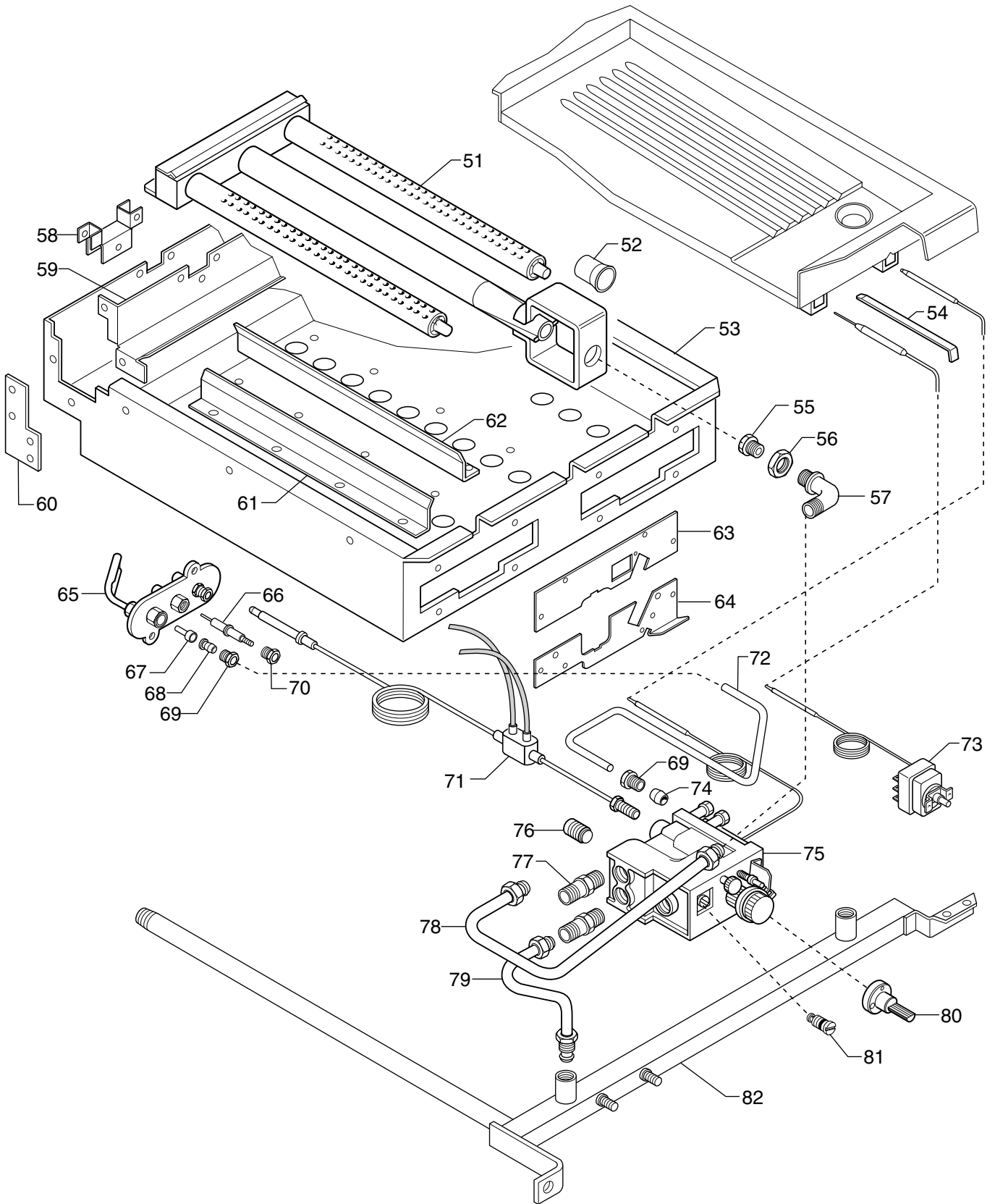
**Brand / Marchio:** Z - E  
**Factory code:** 9PDX



GAS FRY TOP CHROMED PLATE PR 700  
 FRY TOP GAS PIASTRA CROMATA



GAS FRY TOP CHROMED PLATE WITH CUPBOARD PR 700  
 FRY TOP GAS PIASTRA CROMATA SU VANO



GAS FRY TOP CHROMED PLATE PR 700  
 FRY TOP GAS PIASTRA CROMATA

| 81 - Vite minimo / Minimum screw              | 67 - Ugello bruciatore pilota / Pilot burner nozzle |
|---|---|
| 004599 ø 1,50 2H,2E+ G20 20mbar               | 059215 n° 27 2H,2E+ G20 20mbar                      |
| 004599 ø 1,50 2L G25 25mbar (Olanda)          | 059215 n° 27 2L G25 25mbar (Olanda)                 |
| 0A5422 ø 1,60 2ELL G25 20mbar (Germania)      | 059215 n° 27 2ELL G25 20mbar (Germania)             |
| 004602 ø 1,00 3+,3B/P G30/G31 28-30/37mbar    | 059216 n° 14 3+,3B/P G30/G31 28-30/37mbar           |
| 004603 ø 0,85 3B/P G30/G31 50 mbar (Germania) | 059216 n° 14 3B/P G30/G31 50 mbar (Germania)        |

| 55 - Ugello bruciatore / Burner nozzle        |
|---|
| 058335 ø 2,05 2H,2E+ G20 20mbar               |
| 058335 ø 2,05 2L G25 25mbar (Olanda)          |
| 0A2475 ø 2,25 2ELL G25 20mbar (Germania)      |
| 0A2533 ø 1,35 3+,3B/P G30/G31 28-30/37mbar    |
| 0A2650 ø 1,20 3B/P G30/G31 50 mbar (Germania) |

GAS FRY TOP CHROMED PLATE PR 700  
 FRY TOP GAS PIASTRA CROMATA

**Gas fry top chromed plate**  
**Fry top gas piastra cromata**

| PNC    | Model     | Ref. | PNC    | Model     | Ref. | PNC    | Model    | Ref. |
|--------|-----------|------|--------|-----------|------|--------|----------|------|
| 168872 | MR/G1 CL  | a    | 168072 | RR/G1 CL  | e    | 168894 | MR/G2 CM | l    |
| 168875 | MR/G2 CL  | b    | 168075 | RR/G2 CL  | f    | 168094 | RR/G2 CM | m    |
| 168878 | MRV/G1 CL | c    | 168078 | RRV/G1 CL | g    |        |          |      |
| 168881 | MRV/G2 CL | d    | 168081 | RRV/G2 CL | h    |        |          |      |

| Pos | Code   | Descrizione                            | Description                      | Ref. / Notes          |
|-----|--------|--|----------------------------------|-----------------------|
|     |        | <b>Pagina 1</b>                        | <b>Page 1</b>                    |                       |
| 1   | 004244 | Griglia camino                         | Exhaust grid                     | efm Electrolux        |
| 2   | 004320 | Griglia camino                         | Exhaust grid                     | abl Zanussi           |
| 3   | 055995 | Raschietto                             | Scraper                          |                       |
| 4   | 056347 | Lama per raschietto                    | Blade, scraper                   |                       |
| 5   | 056940 | Spatola                                | Paddle                           | lm                    |
| 6   | 004592 | Paraspruzzi 350 mm                     | Splach guard 350 mm              | ae                    |
| 6   | 004606 | Paraspruzzi 700 mm                     | Splach guard 70 mm               | bflm                  |
| 7   | 004590 | Cassetto                               | Drawer                           | abeflm                |
| 8   | 053375 | Tappo per piastra                      | Cap, plate                       |                       |
| 9   | 004660 | Ripiano, piastra liscia cromo - 350 mm | Shelf, chrome smooth plate - 350 | a Zanussi             |
| 9   | 004664 | Ripiano, piastra liscia cromo - 700 mm | Shelf, chrome smooth plate - 700 | b Zanussi             |
| 9   | 004597 | Ripiano, piastra liscia cromo - 350 mm | Shelf, chrome smooth plate - 350 | e Electrolux          |
| 9   | 004608 | Ripiano, piastra liscia cromo - 700 mm | Shelf, chrome smooth plate - 700 | f Electrolux          |
| 9   | 005840 | Ripiano, piastra rigata cromo - 700 mm | Shelf, chrome ribbed plate - 700 | l Zanussi             |
| 9   | 005836 | Ripiano, piastra rigata cromo - 700 mm | Shelf, chrome ribbed plate - 700 | m Electrolux          |
| 10  |        | Fianco dx.                             | R.H. side panel                  | abeflm art. 502890601 |
| 11  | 004594 | Guarnizione per tubo scarico grassi    | Gasket, draining pipe grease     |                       |
| 12  | 004593 | Tubo scarico grassi                    | Draining pipe, grease            | abeflm                |
| 13  | 002449 | Tappo                                  | Set of plugs                     |                       |
| 14  |        | Schienale - 350 mm                     | Back panel - 350 mm              | ae art. 502892102     |
| 14  |        | Schienale - 700 mm                     | Back panel - 700 mm              | bflm art. 502890802   |
| 15  |        | Guida per cassetto                     | Runner, drawer                   | abeflm art. 521892601 |
| 16  | 004659 | Cruscotto - 350 mm                     | Control panel - 350 mm           | a Zanussi             |
| 16  | 004705 | Cruscotto - 700 mm                     | Control panel - 700 mm           | bl Zanussi            |
| 16  | 004598 | Cruscotto - 350 mm                     | Control panel - 350 mm           | e Electrolux          |
| 16  | 004609 | Cruscotto - 700 mm                     | Control panel - 700 mm           | fm Electrolux         |
| 17  | 059207 | Indice manopola                        | Pointer, knob                    | abl                   |
| 17  | 059257 | Indice manopola                        | Pointer, knob                    | efm                   |
| 18  | 004658 | Manopola per valvola gas               | Knob, gas valve                  | abl                   |
| 18  | 004601 | Manopola per valvola gas               | Knob, gas valve                  | efm                   |
| 19  | 002605 | Accenditore piezoelettrico             | Piezoelectric igniter            |                       |
| 20  | 002816 | Copertura accenditore                  | Covering, igniter                |                       |
| 21  | 006514 | Cavetto accensione                     | Cable, spark plug                | L = 700 mm            |
| 22  | 053342 | Molla per marchio                      | Spring, brand                    |                       |
| 23  |        | Fondo - 350 mm                         | Sole plate - 350 mm              | ae art. 502893704     |
| 23  |        | Fondo - 700 mm                         | Sole plate - 700 mm              | bflm art. 502890503   |
| 24  |        | Fianco sx.                             | L.H. side panel                  | abeflm art. 502890701 |
| 25  | 026806 | Piedino                                | Foot                             | abeflm                |

**Gas fry top chromed plate**  
**Fry top gas piastra cromata**

| PNC     | Model     | Ref. | PNC     | Model     | Ref. | PNC     | Model    | Ref. |
|---------|-----------|------|---------|-----------|------|---------|----------|------|
| 168 872 | MR/G1 CL  | a    | 168 072 | RR/G1 CL  | e    | 168 894 | MR/G2 CM | i    |
| 168 875 | MR/G2 CL  | b    | 168 075 | RR/G2 CL  | f    | 168 094 | RR/G2 CM | m    |
| 168 878 | MRV/G1 CL | c    | 168 078 | RRV/G1 CL | g    |         |          |      |
| 168 881 | MRV/G2 CL | d    | 168 081 | RRV/G2 CL | h    |         |          |      |

| Pos | Code   | Descrizione                            | Description                      | Ref. / Notes          |
|-----|--------|--|----------------------------------|-----------------------|
|     |        | <b>Pagina 2</b>                        | <b>Page 2</b>                    |                       |
| 1   | 004244 | Griglia camino                         | Exhaust grid                     | gh Electrolux         |
| 2   | 004320 | Griglia camino                         | Exhaust grid                     | cd Zanussi            |
| 3   | 055995 | Raschietto                             | Scraper                          |                       |
| 4   | 056347 | Lama per raschietto                    | Blade, scraper                   |                       |
| 6   | 004592 | Paraspruzzi - 350 mm                   | Splach guard - 350 mm            | cg                    |
| 6   | 004606 | Paraspruzzi - 700 mm                   | Splach guard - 70 mm             | dh                    |
| 8   | 053375 | Tappo per piastra                      | Cap, plate                       |                       |
| 9   | 004660 | Ripiano, piastra liscia cromo - 350 mm | Shelf, chrome smooth plate - 350 | c Zanussi             |
| 9   | 004664 | Ripiano, piastra liscia cromo - 700 mm | Shelf, chrome smooth plate - 700 | d Zanussi             |
| 9   | 004597 | Ripiano, piastra liscia cromo - 350 mm | Shelf, chrome smooth plate - 350 | g Electrolux          |
| 9   | 004608 | Ripiano, piastra liscia cromo - 700 mm | Shelf, chrome smooth plate - 700 | h Electrolux          |
| 10  |        | Fianco dx.                             | R.H. side panel                  | cdgh art. 502883303   |
| 11  | 004594 | Guarnizione per tubo scarico grassi    | Gasket, draining pipe grease     |                       |
| 12  | 004611 | Tubo scarico grassi                    | Draining pipe, grease            | cdgh                  |
| 13  | 002449 | Tappo                                  | Set of plugs                     |                       |
| 14  |        | Schienale - 350 mm                     | Back panel - 350 mm              | cg art. 502894800     |
| 14  |        | Schienale - 700 mm                     | Back panel - 700 mm              | dh art. 502883204     |
| 16  | 004706 | Cruscotto - 350 mm                     | Control panel - 350 mm           | c Zanussi             |
| 16  | 004832 | Cruscotto - 700 mm                     | Control panel - 700 mm           | d Zanussi             |
| 16  | 004613 | Cruscotto - 350 mm                     | Control panel - 350 mm           | g Electrolux          |
| 16  | 005013 | Cruscotto - 700 mm                     | Control panel - 700 mm           | h Electrolux          |
| 17  | 059207 | Indice manopola                        | Pointer, knob                    | cd                    |
| 17  | 059257 | Indice manopola                        | Pointer, knob                    | gh                    |
| 18  | 004658 | Manopola per valvola gas               | Knob, gas valve                  | cd                    |
| 18  | 004601 | Manopola per valvola gas               | Knob, gas valve                  | gh                    |
| 19  | 002605 | Accenditore piezoelettrico             | Piezoelectric igniter            |                       |
| 20  | 002816 | Copertura accenditore                  | Covering, igniter                |                       |
| 21  | 006514 | Cavetto accensione                     | Cable, spark plug                | L = 700 mm            |
| 22  | 053342 | Molla per marchio                      | Spring, brand                    |                       |
| 24  |        | Fianco sx.                             | L.H. side panel                  | cdgh art. 502883403   |
| 25  | 004249 | Piede                                  | Foot                             | cdgh                  |
| 26  | 004612 | Bacinella 1/3 - 100 gastronorm         | Basin, gastronorm 1/3 -100       | cdgh                  |
|     |        | <b>Pagina 3</b>                        | <b>Page 3</b>                    |                       |
| 51  | 004591 | Brucciato                              | Burner                           |                       |
| 52  | 052062 | Boccola bruciato                       | Bush, burner                     |                       |
| 53  |        | Camera di combustione - 350 mm         | Chamber, combustion - 350 mm     | aceg art. 525865504   |
| 53  |        | Camera di combustione - 700 mm         | Chamber, combustion - 700 mm     | bdfhlm art. 525865305 |
| 54  |        | Astina bloccaggio bulbo                | Thin plate, bulb fixing          | aceg art. 525899400   |
| 54  |        | Astina bloccaggio bulbo                | Thin plate, bulb fixing          | bdfhlm art. 507857300 |
| 56  | 020997 | Controdado                             | Lock nut                         |                       |
| 57  | 059375 | Raccordo portaugello                   | Nipple, nozzle holder            |                       |
| 58  |        | Distanziale camino                     | Spacer, chimney                  | bdfhlm art. 508865102 |
| 59  |        | Parete anter. camino                   | Front wall, chimney              | aceg art. 525866003   |
| 59  |        | Parete anter. camino                   | Front wall, chimney              | bdfhlm art. 525866104 |

**Gas fry top chromed plate**  
**Fry top gas piastra cromata**

| PNC    | Model     | Ref. | PNC    | Model     | Ref. | PNC    | Model    | Ref. |
|--------|-----------|------|--------|-----------|------|--------|----------|------|
| 168872 | MR/G1 CL  | a    | 168072 | RR/G1 CL  | e    | 168894 | MR/G2 CM | l    |
| 168875 | MR/G2 CL  | b    | 168075 | RR/G2 CL  | f    | 168094 | RR/G2 CM | m    |
| 168878 | MRV/G1 CL | c    | 168078 | RRV/G1 CL | g    |        |          |      |
| 168881 | MRV/G2 CL | d    | 168081 | RRV/G2 CL | h    |        |          |      |

| Pos | Code   | Descrizione                            | Description                 | Ref. / Notes             |
|-----|--------|--|-----------------------------|--------------------------|
| 60  |        | Parete laterale. camino                | Side wall, chimney          | art. 508865603           |
| 61  |        | Convogliatore aria bruciatore L=375 mm | Air guide, burner L= 375 mm | art. 525856800           |
| 62  |        | Convogliatore aria bruciatore L=360 mm | Air guide, burner L= 360 mm | art. 525856900           |
| 63  |        | Parete superiore chiusura bruciatore   | Upper wall, burner closing  | art. 525856403           |
| 64  |        | Parete inferiore chiusura bruciatore   | Lower wall, burner closing  | art. 525856203           |
| 65  | 059379 | Bruciatore pilota                      | Pilot burner                |                          |
| 66  | 059380 | Elettrodo di accensione                | Electrode, ignition         |                          |
| 68  | 059161 | Anello bicono ø 4 mm                   | Biconical ring, diam.4 mm   |                          |
| 69  | 052125 | Raccordo ø 4 mm                        | Nipple, diam.4 mm           |                          |
| 70  | 057960 | Raccordo per elettrodo                 | Nipple, electrode           |                          |
| 71  | 056914 | Assieme termocoppia                    | Thermocouple assembly       |                          |
| 72  |        | Conduttura pilota                      | Pipe, pilot burner          | art. 517847401           |
| 73  | 004600 | Termostato di sicurezza                | Safety thermostat           |                          |
| 74  | 052127 | Anello bicono ø 4 mm                   | Biconical ring, diam.4 mm   |                          |
| 75  | 058772 | Valvola gas                            | Gas valve                   |                          |
| 76  | 056009 | Tappo filettato 3/8"                   | Screw plug 3/8"             |                          |
| 77  | 026783 | Raccordo per valvola gas               | Nipple, gas valve           |                          |
| 78  |        | Conduttura, valvola gas-bruciatore     | Pipe, gas valve - burner    | art. 806802802           |
| 79  |        | Conduttura alimentazione valvola       | Inlet pipe, gas valve       | art. 806802700           |
| 80  | 003391 | Prolunga per manopola                  | Extension, knob             |                          |
| 82  |        | Conduttura alimentazione gas           | Inlet pipe, gas             | aceg art. 853822101      |
| 82  |        | Conduttura alimentazione gas           | Inlet pipe, gas             | bdfhlm art. 853818701    |
|     |        | <b>Pagina 4</b>                        | <b>Page 4</b>               |                          |
| 55  | 058335 | Ugello ø 2,05                          | Nozzle diam. 2,05           | G 20- 20 mbar            |
| 55  | 058335 | Ugello ø 2,05                          | Nozzle diam. 2,05           | G 25- 25 mbar            |
| 55  | 0A2475 | Ugello ø 2,25                          | Nozzle diam. 2,25           | G 25- 20 mbar            |
| 55  | 0A2533 | Ugello ø 1,35                          | Nozzle diam. 1,35           | G 30/G31 28-30/ 37 mbar  |
| 55  | 0A2650 | Ugello ø 1,20                          | Nozzle diam. 1,20           | G 30/G31 50 mbar         |
| 67  | 059215 | Ugello pilota N°27                     | Nozzle N°27                 | G 20- 20 mbar            |
| 67  | 059215 | Ugello pilota N°27                     | Nozzle N°27                 | G 25- 20/25 mbar         |
| 67  | 059216 | Ugello pilota N°14                     | Nozzle N°14                 | G 30/31 28-30/37-50 mbar |
| 81  | 004599 | Vite di minimo ø 1,50                  | Minimum screw diam. 1,50    | G 20- 20 mbar            |
| 81  | 004599 | Vite di minimo ø 1,50                  | Minimum screw diam. 1,50    | G 25- 25 mbar            |
| 81  | 0A5422 | Vite di minimo ø 1,60                  | Minimum screw diam. 1,60    | G 25- 20 mbar            |
| 81  | 004602 | Vite di minimo ø 1,00                  | Minimum screw diam. 1,00    | G 30/G31 28-30/ 37 mbar  |
| 81  | 004603 | Vite di minimo ø 0,85                  | Minimum screw diam. 0,85    | G 30/G31 50 mbar         |