

## CABINETS MASS/GAB

| PNC    | Avv. Model   | Ref. | Page    |
|--------|--|------|---------|
| 727276 | 00/04 FV 1M MASS 304/304 DIG. BT                       | a    | 2, 5, 6 |
| 727277 | 00/04 FV 1M PV MASS 304/304 DIG. BT                    | d    | 4, 5, 6 |
| 727278 | 00/04 FV 1M 2 1/2 PORTE BT -15/+22 MASS                | f    | 3, 5, 6 |
| 727294 | 00/04 FV 1M GAB AISI 430/430 DIG. BT                   | b    | 2, 5, 6 |
| 727358 | 00/03 FV 1M MASS 304/304 DIG. BT -15/-22°C ELUX UK     | e    | 2, 5, 6 |
| 727359 | 00/03 FV 1M 2 1/2 PORTE BT -15/+22 MASS UK             | g    | 3, 5, 6 |
| 727372 | 00/03 FV 1M GAB AISI 430/430 DIG. BT UK                | c    | 2, 5, 6 |
| 727373 | 00/04 FV 1M 2 1/2 PORTE BT -15/+22 GAB AISI 430/430 UK | h    | 3, 5, 6 |
| 727445 | 00/03 FV 1M MASS SCHIEN.A304 DIG. BT SA 50HZ           | a    | 2, 5, 6 |
| 727460 | 00/05 FV 1M GAB A430 DIG. BT UK GK                     | i    | 2, 5, 6 |
| 727461 | 00/05 FV 1M GAB A430 DIG. BT UK GK inc.sx              | i    | 2, 5, 6 |
| 728707 | 00/03 FV 1M MASS 304/304 DIG. BT DIGRIM-KIPRO          | a    | 2, 5, 6 |

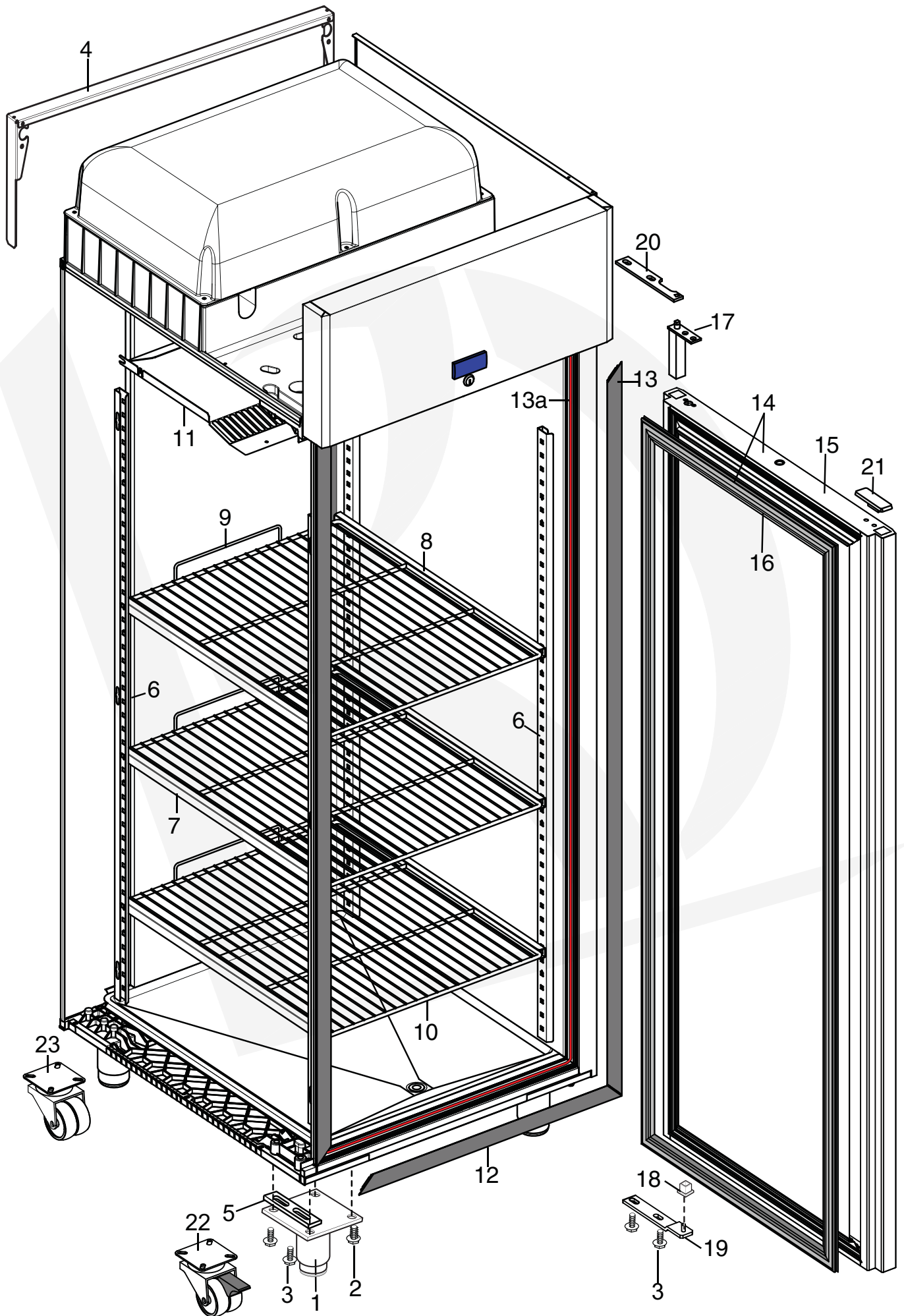
Note: per la corretta identificazione dei componenti, attenersi esclusivamente alle pagine indicate e alla lettera di riferimento.

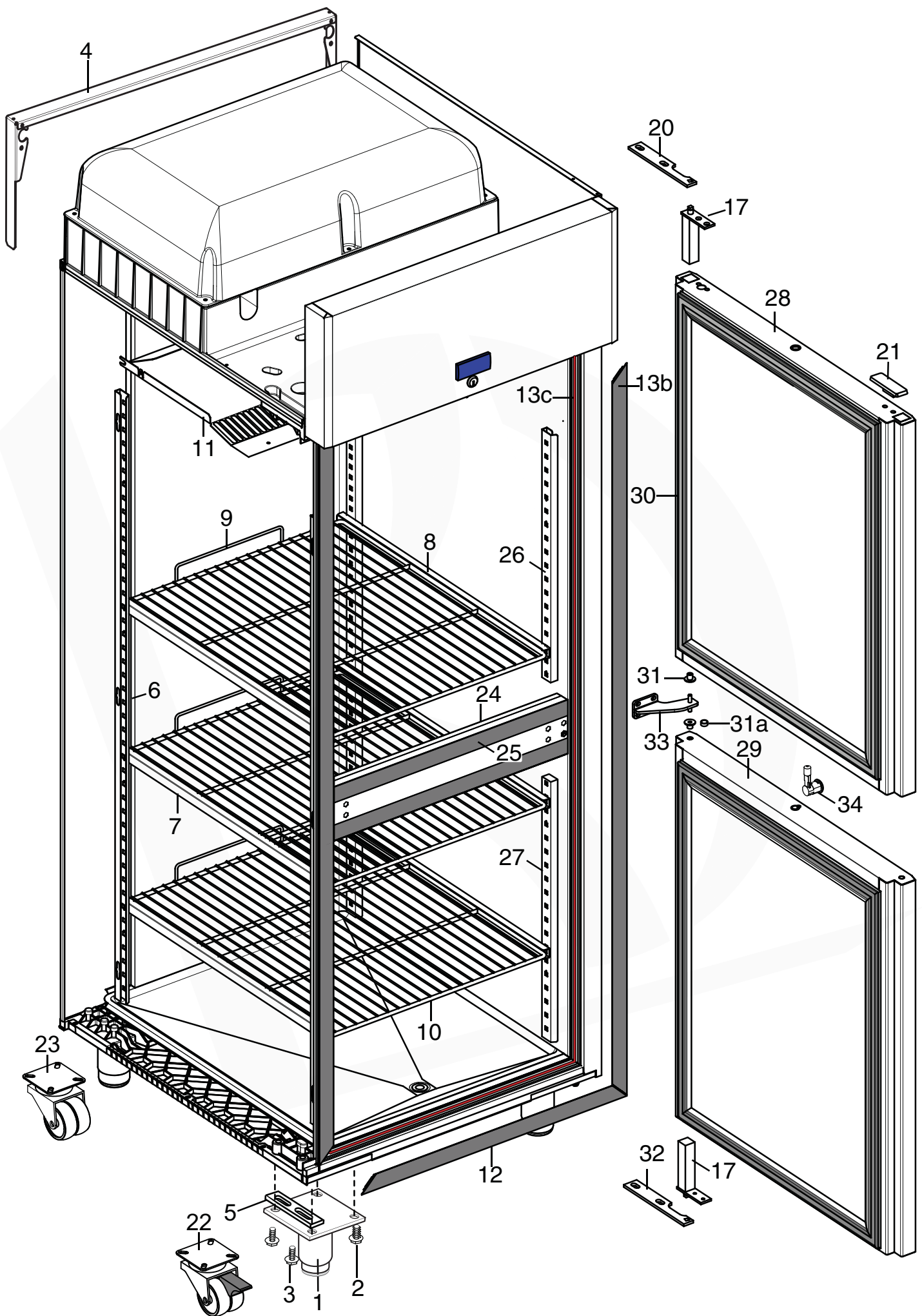
Note: for the correct identification of the components, follow the indicated pages and the reference letter

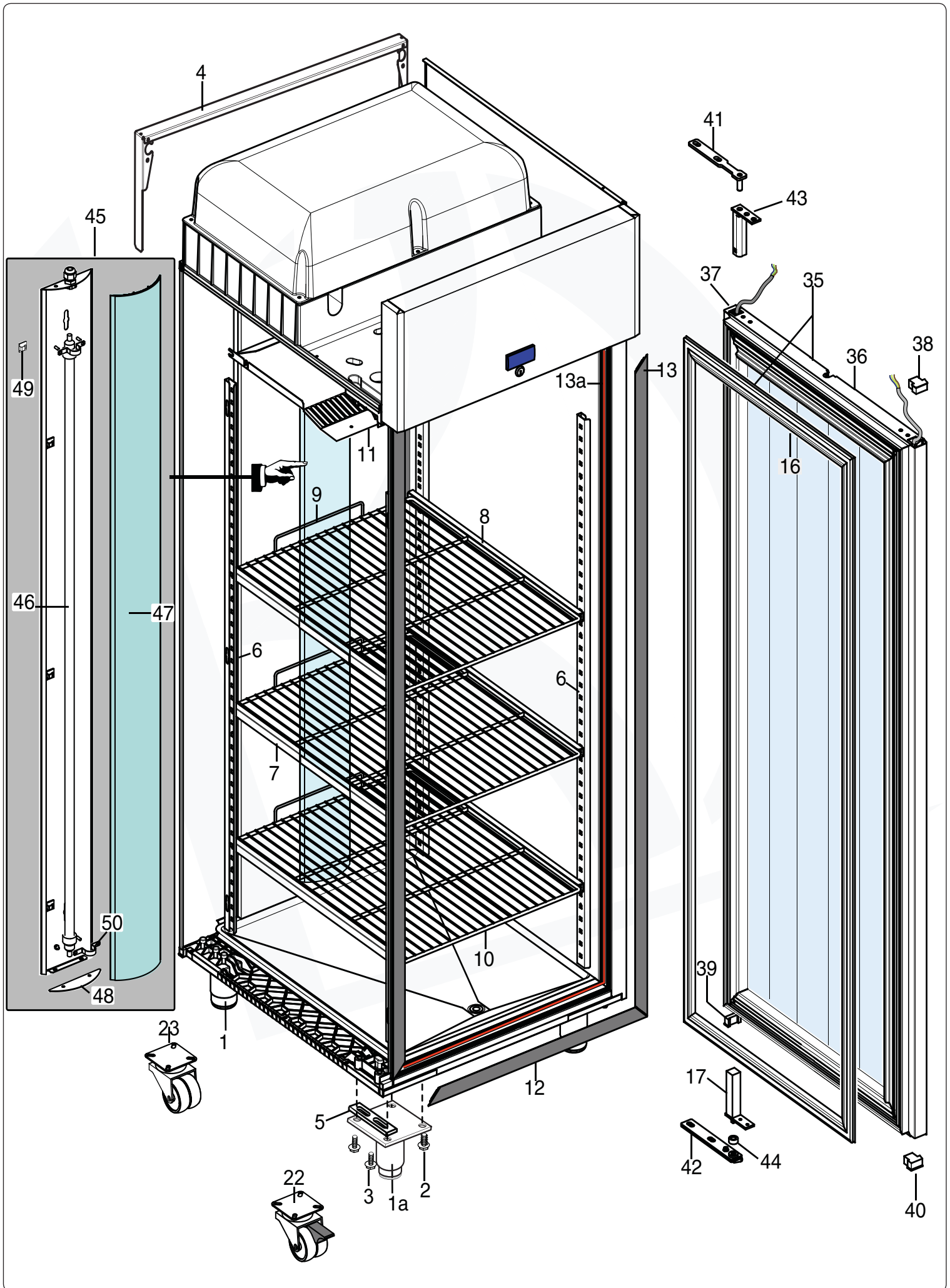
Pag. 2,3,4  
5  
6  
7,8,9

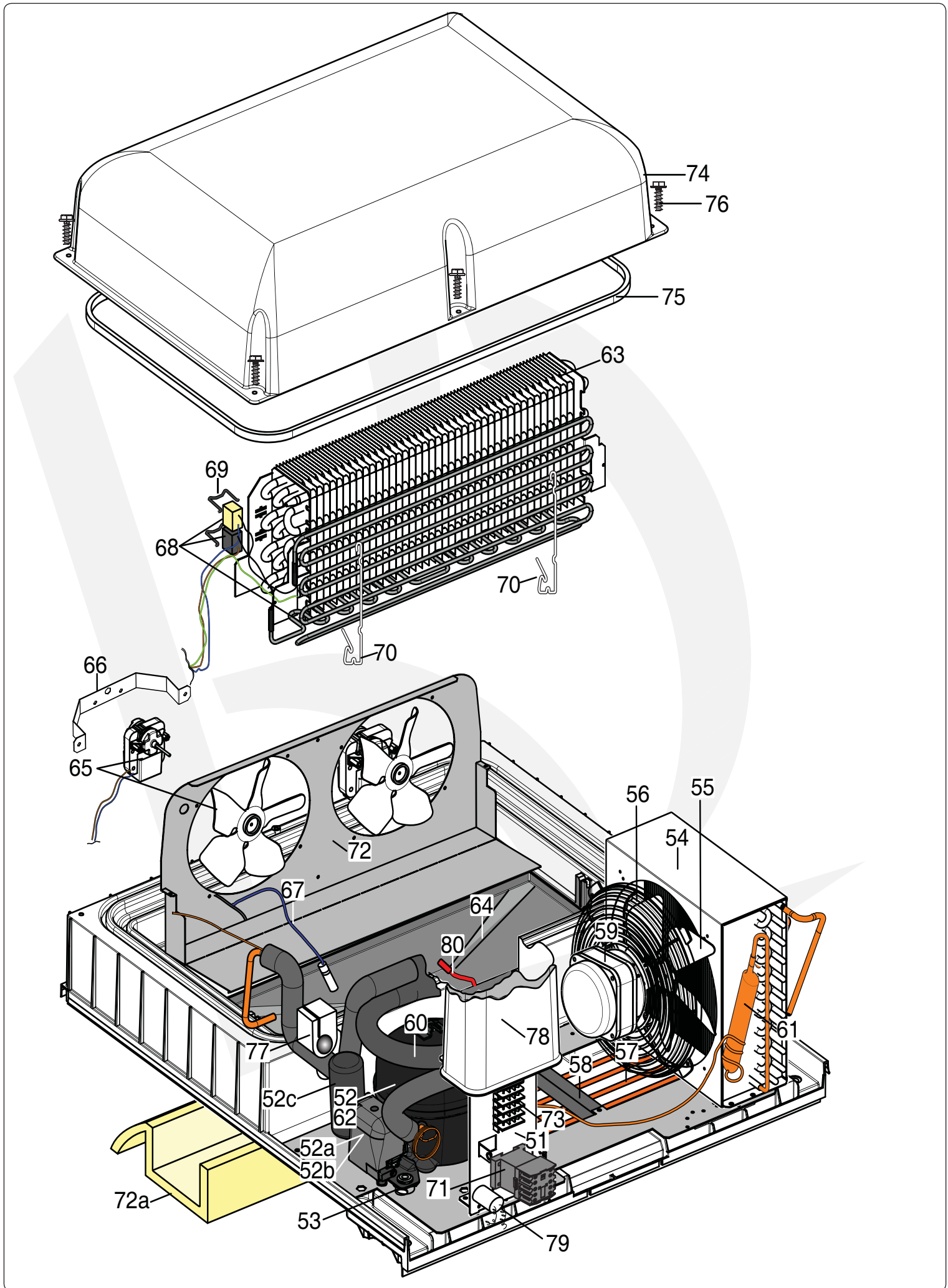
Index  
Cabinet and door  
Cooling unit assembly  
Control panel  
Spare parts list

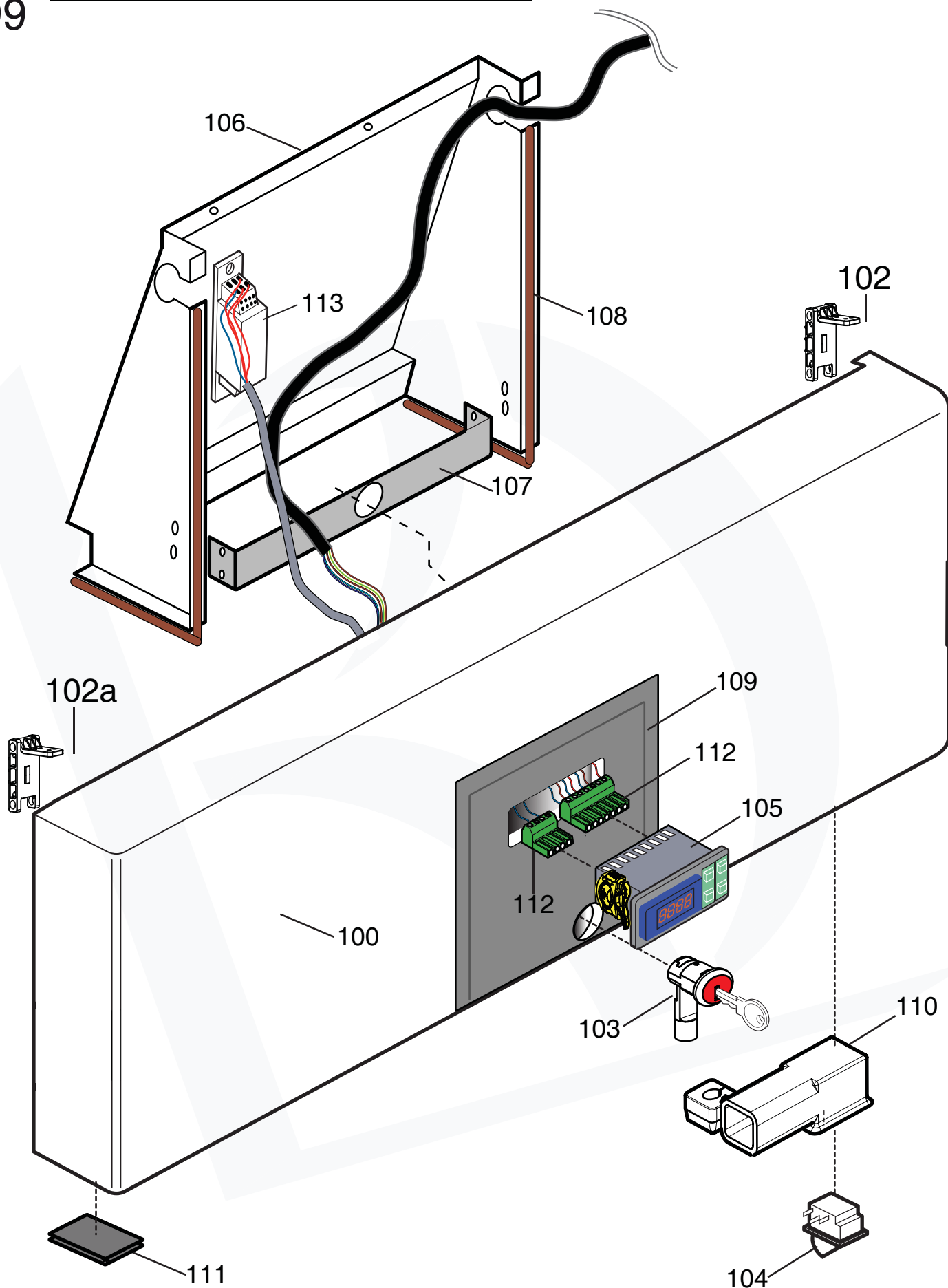
Indice  
Armadio e porta  
Gruppo refrigerante  
Pannello comandi  
Lista ricambi











## Freezers

| PNC    | Ref.      | PNC    | Ref.                                   | PNC    | Ref. | PNC    | Ref.                              | PNC    | Ref. | PNC    | Ref.                   | PNC    | Ref. |
|--------|-----------|--------|--|--------|------|--------|-----------------------------------|--------|------|--------|------------------------|--------|------|
| 727276 | a         | 728707 | a                                      | 727445 | a    | 727294 | b                                 | 727372 | c    | 727277 | d                      | 727358 | e    |
| 727278 | f         | 727359 | g                                      | 727373 | h    | 727460 | i                                 | 727461 | i    |        |                        |        |      |
| Pos    | Fact/code | Alias  | Descrizione                            |        |      |        | Description                       |        |      |        | Ref/Note               |        |      |
| 1      | 541R05001 | 093243 | Piedino                                |        |      |        | Foot                              |        |      |        | a,b,d,f                |        |      |
| 1a     | 518R02600 | 093244 | Piedino anteriore porta vetro          |        |      |        | Back foot glass door              |        |      |        | d                      |        |      |
| 2      | 217555204 | 093245 | Vite per plastica per piedino          |        |      |        | Screw ( use by fix foot)          |        |      |        |                        |        |      |
| 3      | 518708601 | 093246 | Vite M8x20 per fiss. staffa sup/inf    |        |      |        | Screw M8X20 ( use by fix bracket) |        |      |        |                        |        |      |
| 4      | 502R17400 | 093247 | Staffa supporto fianchi                |        |      |        | Side support (upper)              |        |      |        |                        |        |      |
| 5      | 546R22800 | 093248 | Distanziale per piede                  |        |      |        | Foot spacer                       |        |      |        |                        |        |      |
| 6      | 501R38201 | 093249 | Cremagliera                            |        |      |        | Rack                              |        |      |        |                        |        |      |
| 7      | 501R47900 | 093250 | Guida Sx                               |        |      |        | Left support                      |        |      |        |                        |        |      |
| 8      | 501R48100 | 093251 | Guida Dx                               |        |      |        | Right support                     |        |      |        |                        |        |      |
| 9      | 514R10600 | 093252 | Griglia 2/1                            |        |      |        | Grid 2/1                          |        |      |        |                        |        |      |
| 10     | 514R12200 | 093253 | Griglia di fondo                       |        |      |        | Bottom grid                       |        |      |        |                        |        |      |
| 11     | 501R56500 | 093468 | Carter interno                         |        |      |        | Internal protection               |        |      |        |                        |        |      |
| 12     | 832R09001 | 093254 | Cornice orrizzontale                   |        |      |        | Orrizzontal frame                 |        |      |        |                        |        |      |
| 13     | 832R09101 | 093255 | Cornice verticale                      |        |      |        | Vertical frame                    |        |      |        |                        |        |      |
| 13b    | 832R09300 | 093256 | Cornice verticale                      |        |      |        | Vertical frame                    |        |      |        |                        |        |      |
| 13a    | 617R06700 | 093330 | Cavo riscaldante cornice 22W (5w/m)    |        |      |        | Heating cable frame 22W           |        |      |        |                        |        |      |
| 13c    | 617R07500 | 093331 | Cavo riscaldante cornice 28,35W (5w/m) |        |      |        | Heating cable frame 28,35W        |        |      |        |                        |        |      |
| 14     | 835R24302 | 093309 | Porta con guarnizione aisi 304         |        |      |        | Gasket and door                   |        |      |        | a,e                    |        |      |
| 14     | 835R24402 | 093310 | Porta con guarnizione aisi 430         |        |      |        | Gasket and door                   |        |      |        | b,c,i                  |        |      |
| 15     | 835R24202 | 093311 | Porta aisi 304                         |        |      |        | Door                              |        |      |        | a,e                    |        |      |
| 15     | 835R24502 | 093312 | Porta aisi 430                         |        |      |        | Door                              |        |      |        | b,c,i                  |        |      |
| 16     | 548R06802 | 093257 | Guarnizione porta pv/pc                |        |      |        | Gasket door ( gl/fl)              |        |      |        |                        |        |      |
| 17     | 835704001 | 082219 | Cerniera porta                         |        |      |        | Hinge door                        |        |      |        |                        |        |      |
| 18     | 544700601 | 081654 | Boccola per porta                      |        |      |        | Door bush                         |        |      |        | a,b,c,i                |        |      |
| 19     | 833R21600 | 093341 | Staffa inferiore porta                 |        |      |        | Lower stirrup door                |        |      |        | a,b,c,i                |        |      |
| 20     | 505723802 | 082257 | Staffa superiore porta                 |        |      |        | Upper stirrup door                |        |      |        | a,b,c,f,g,i            |        |      |
| 21     | 541R05300 | 093271 | Tappo per cerniere                     |        |      |        | Hole hinge plug                   |        |      |        | a,b,c,i                |        |      |
| 22     | 835R24900 | 093575 | Ruota rotante con freno                |        |      |        | Brake weel                        |        |      |        | c,e,g,i                |        |      |
| 23     | 835R24800 | 093574 | Ruota rotante                          |        |      |        | Weel                              |        |      |        | c,e,g,i                |        |      |
| 24     | 880R64100 | 093342 | Traversa per 1/2 porte a304            |        |      |        | Support half door a304            |        |      |        | f,g                    |        |      |
| 24     | 880R64200 | 093343 | Traversa per 1/2 porte a430            |        |      |        | Support half door a430            |        |      |        | h                      |        |      |
| 25     | 543R09900 | 093272 | Cornice per traversa                   |        |      |        | Support half door frame           |        |      |        |                        |        |      |
| 26     | 501R51800 | 093275 | Cremagliera ant. 1/2 porte superiore   |        |      |        | Upper rack 1/2 doors              |        |      |        |                        |        |      |
| 27     | 501R51600 | 093276 | Cremagliera ant. 1/2 porte             |        |      |        | Lower rack 1/2 doors              |        |      |        |                        |        |      |
| 28     | 835R25403 | 093585 | Ass.1/2 porta superiore a304           |        |      |        | Upper half door a304              |        |      |        | f,g                    |        |      |
| 28     | 835R27900 | 093586 | Ass.1/2 porta superiore a430           |        |      |        | Upper half door a430              |        |      |        | h                      |        |      |
| 29     | 835R25502 | 093519 | Ass.1/2 porta inferiore a304           |        |      |        | Lower half door a304              |        |      |        | f,g                    |        |      |
| 29     | 835R27801 | 093520 | Ass.1/2 porta inferiore a430           |        |      |        | Lower half door a430              |        |      |        | h                      |        |      |
| 30     | 548R07101 | 093273 | Guarnizione magnetica 1/2 porte        |        |      |        | Half door gasket                  |        |      |        |                        |        |      |
| 31     | 546R21100 | 093392 | Boccola per porta 1/2 porte            |        |      |        | Half door bush                    |        |      |        |                        |        |      |
| 31a    | 546R23100 | 093517 | Boccola per cerniera 1/2 porte         |        |      |        | Half door bush                    |        |      |        |                        |        |      |
| 32     | 833R21900 | 093301 | Ass. cerniera inferiore                |        |      |        | Lower hinge assembly              |        |      |        |                        |        |      |
| 33     | 505R12400 | 093344 | Cerniera centrale                      |        |      |        | Central hinge door                |        |      |        |                        |        |      |
| 34     | 833R21100 | 093433 | Serratura                              |        |      |        | Serratura                         |        |      |        |                        |        |      |
| 35     | 880R57600 | 093313 | Ass. porta vetro                       |        |      |        | Glass door assembly               |        |      |        | d                      |        |      |
| 36     | 879R15800 | 093459 | Porta vetro                            |        |      |        | Glass door                        |        |      |        | d                      |        |      |
| 37     | 546R22400 | 093535 | Tappo sup. dx pv                       |        |      |        | Upper right plug door GL          |        |      |        | d                      |        |      |
| 38     | 546R22300 | 093536 | Tappo sup. sx pv                       |        |      |        | Upper left plug door GL           |        |      |        | d                      |        |      |
| 39     | 546R22500 | 093537 | Tappo inf. dx pv                       |        |      |        | Lower right plug door GL          |        |      |        | d                      |        |      |
| 40     | 546R22200 | 093538 | Tappo inf. sx pv                       |        |      |        | Lower left plug door GL           |        |      |        | d                      |        |      |
| 41     | 505R12700 | 093349 | Cerniera superiore pv                  |        |      |        | Upper hinge GL                    |        |      |        | d                      |        |      |
| 42     | 833R21900 | 093301 | Ass. staffa inf.( reversibile) pv      |        |      |        | Lower bracket ( reversible)       |        |      |        | d                      |        |      |
| 43     | 835R28100 | 093320 | Ass cerniera sup pv                    |        |      |        | Upper hinge GL                    |        |      |        | d                      |        |      |
| 44     | 546R23100 | 093517 | Boccola per cerniera PV                |        |      |        | Hinge bush GL                     |        |      |        | d                      |        |      |
| 45     | 880R60700 | 093303 | <b>Ass. porta lampada completo</b>     |        |      |        | <b>Light support assembly</b>     |        |      |        | <b>d up to 2471...</b> |        |      |
| 45     | 835R26801 | 094484 | <b>Ass. lampada completo</b>           |        |      |        | <b>Light support assembly</b>     |        |      |        | <b>d from 2481...</b>  |        |      |

## Freezers

| PNC    | Ref.      | PNC    | Ref.                               | PNC    | Ref. | PNC    | Ref.                                | PNC    | Ref. | PNC    | Ref.                            | PNC    | Ref. |
|--------|-----------|--------|------------------------------------|--------|------|--------|-------------------------------------|--------|------|--------|---------------------------------|--------|------|
| 727276 | a         | 728707 | a                                  | 727445 | a    | 727294 | b                                   | 727372 | c    | 727277 | d                               | 727358 | e    |
| 727278 | f         | 727359 | g                                  | 727373 | h    | 727460 | i                                   | 727461 | i    |        |                                 |        |      |
| Pos    | Fact/code | Alias  | Descrizione                        |        |      |        | Description                         |        |      |        | Ref/Note                        |        |      |
| 46     | 661R01000 | 093350 | Lampada 28W                        |        |      |        | Neon 28W                            |        |      |        | d                               |        |      |
| 47     | 546R22600 | 093258 | Frontale lampada                   |        |      |        | Protection light                    |        |      |        | d                               |        |      |
| 48     | 501R49500 | 093351 | Tappo chiusura luce                |        |      |        | Plug of clousure                    |        |      |        | d                               |        |      |
| 49     | 546R23200 | 093352 | Ferma cavo                         |        |      |        | Wiring stopper                      |        |      |        | d                               |        |      |
| 50     | 501R50200 | 093321 | Fermo lampada                      |        |      |        | Stopper light                       |        |      |        | d                               |        |      |
| 51     | 501R41503 | 093332 | Supporto impianto elettrico        |        |      |        | Electrical wiring support           |        |      |        |                                 |        |      |
| 52     | 684R08700 | 093628 | Compressore (NEK2168GK) 220/50 hz  |        |      |        | Compressor (NT2178GK)220/50hz       |        |      |        |                                 |        |      |
| 52a    | *         |        | Relè avviamento                    |        |      |        | Start relay                         |        |      |        |                                 |        |      |
| 52b    | *         |        | Protettore                         |        |      |        | Protector                           |        |      |        |                                 |        |      |
| 52c    | *         |        | Condensatore di avviamento         |        |      |        | Start capacitor                     |        |      |        |                                 |        |      |
| 53     | 541714500 | 099872 | Gommino per compressore            |        |      |        | Rubber compressor                   |        |      |        |                                 |        |      |
| 54     | 830R04900 | 093333 | Condensatore                       |        |      |        | Condenser                           |        |      |        |                                 |        |      |
| 55     | 511708800 | 089697 | Ventola                            |        |      |        | Fan condenser                       |        |      |        |                                 |        |      |
| 56     | 546709500 | 089755 | Supporto motore condensatore       |        |      |        | Fan condenser support               |        |      |        |                                 |        |      |
| 57     | 515R15300 | *      | Serpentina evap. acqua di condensa |        |      |        | Evaporation water pipe              |        |      |        |                                 |        |      |
| 58     | 543R09300 | 093260 | Fissaggio serpentina               |        |      |        | Stopper pipe                        |        |      |        |                                 |        |      |
| 59     | 682R05300 | 093334 | Ventilatore condensatore           |        |      |        | Condenser ventilator                |        |      |        |                                 |        |      |
| 60     | 858R09200 | 093568 | Scambiatore                        |        |      |        | Heat exchanger                      |        |      |        |                                 |        |      |
| 61     | 805729802 | 084078 | Filtro                             |        |      |        | Dehidrator filter                   |        |      |        |                                 |        |      |
| 62     | A02021800 | 0A8171 | Valvola per copressore             |        |      |        | Compressor valve (charge or disch.) |        |      |        |                                 |        |      |
| 63     | 830R04001 | 093335 | Evaporatore 3R 8T                  |        |      |        | Evaporator 2R 8T                    |        |      |        |                                 |        |      |
| 64     | 546R21202 | 093488 | Vaschetta evaporatore              |        |      |        | Evaporator tray                     |        |      |        |                                 |        |      |
| 65     | 682R05701 | 093325 | Ventilatore evaporatore (fime)     |        |      |        | Evaporator fan (fime)               |        |      |        |                                 |        |      |
| 66     | 501R45101 | 093326 | Staffa motore evaporatore          |        |      |        | Fan evaporator support              |        |      |        |                                 |        |      |
| 67     | 646R06700 | 092173 | Sonda cella                        |        |      |        | Cell probe                          |        |      |        |                                 |        |      |
| 68     | 617R06200 | 093347 | Resistenza con termostati          |        |      |        | Heating element with thermostat     |        |      |        |                                 |        |      |
| 69     | 514R11601 | 093487 | Molla per fissaggio termostati     |        |      |        | Thermostat spring                   |        |      |        |                                 |        |      |
| 70     | 514R11200 | 093516 | Molla per fissaggio resistenza 3R  |        |      |        | Heating element spring 2R           |        |      |        |                                 |        |      |
| 71     | 648727100 | 088557 | Teleruttore (220-230/50 240/60)    |        |      |        | Contactor                           |        |      |        |                                 |        |      |
| 72     | 501R44801 | 093314 | Convogliatore evaporatore          |        |      |        | Evaporator conveyor                 |        |      |        |                                 |        |      |
| 72a    | 559R01900 | 093489 | Coibentazione carter               |        |      |        | Insulation evaporator carter        |        |      |        |                                 |        |      |
| 73     | 639R09900 | 093528 | Morsettiera                        |        |      |        | Clamp                               |        |      |        |                                 |        |      |
| 74     | 835R24101 | 093261 | Assieme Calotta                    |        |      |        | Evaporator cover                    |        |      |        |                                 |        |      |
| 75     | 14701R003 | 093262 | Neoprene espanso 8x13,3 nero (M4)  |        |      |        | Gasket cover ( neoprene 8x13,3)     |        |      |        |                                 |        |      |
| 76     | 217555204 | 093245 | Vite senza punta x plastica        |        |      |        | Cover screw                         |        |      |        |                                 |        |      |
| 78     | 541R04801 | 093264 | Copertura impianto elettrico       |        |      |        | Electrical cover                    |        |      |        |                                 |        |      |
| 79     | 694R00501 | 092257 | Filtro antidisturbo                |        |      |        | Electrical filter                   |        |      |        |                                 |        |      |
| 80     | 617R07800 | 093415 | Resistenza scarico condensa        |        |      |        | Drain heater                        |        |      |        |                                 |        |      |
| 99     | 880R50104 | 093304 | Cruscotto completo aisi 304        |        |      |        | Panel control complete aisi 304     |        |      |        | a,e,f,g                         |        |      |
| 99     | 880R50202 | 093521 | Cruscotto completo aisi 430        |        |      |        | Panel control complete aisi 430     |        |      |        | b,c                             |        |      |
| 99     | 880R50704 | 093306 | Cruscotto completo aisi 430        |        |      |        | Panel control complete aisi 430     |        |      |        | h,i                             |        |      |
| 99     | 880R58500 | 093307 | Cruscotto completo aisi 430 PV     |        |      |        | Panel control complete aisi 430     |        |      |        | d                               |        |      |
| 100    | 509R12603 | 093265 | Cruscotto comandi                  |        |      |        | Panel 304 AISI                      |        |      |        | a,e,f,g                         |        |      |
| 100    | 509R12703 | 093266 | Cruscotto comandi                  |        |      |        | Panel 430 AISI                      |        |      |        | b,c,h,i                         |        |      |
| 102    | 832R10100 | 093609 | Cerniera per cruscotto dx          |        |      |        | Hinge for panel                     |        |      |        |                                 |        |      |
| 102a   | 832R10200 | 093610 | Cerniera per cruscotto sx          |        |      |        | Hinge for panel                     |        |      |        | Hinge for panel                 |        |      |
| 103    | 833R20900 | 093345 | Serratura                          |        |      |        | Latch                               |        |      |        |                                 |        |      |
| 104    | 640712100 | 087485 | Micro porta                        |        |      |        | Switch                              |        |      |        |                                 |        |      |
| 105    | 646R10802 | 093328 | Termoregolatore ir33 Gab/mass pc   |        |      |        | Thermoregulator Gab /mass           |        |      |        | a,b,c,e,f,g,h,i<br>To be setted |        |      |
| 105    | 646R11000 | 093329 | Termoregolatore ir33 Gab/mass pv   |        |      |        | Thermoregulator Gab /mass           |        |      |        | d To be setted                  |        |      |
| 106    | 501R37401 | 093295 | Protezione                         |        |      |        | Protection                          |        |      |        |                                 |        |      |
| 107    | 501R37501 | 093354 | Staffa per protezione              |        |      |        | Support fro protection              |        |      |        |                                 |        |      |
| 108    | 140088006 | 0L0113 | Guarnizione                        |        |      |        | Gasket                              |        |      |        |                                 |        |      |
| 109    | 755R03901 | 093268 | Membrana                           |        |      |        | Membrane                            |        |      |        |                                 |        |      |
| 110    | 546R12100 | 092353 | Protezione micro porta             |        |      |        | Swicth door protection              |        |      |        | d                               |        |      |

| PNC    | Ref. | PNC    | Ref. | PNC    | Ref. | PNC    | Ref. | PNC    | Ref. | PNC    | Ref. | PNC    | Ref. |
|--------|------|--------|------|--------|------|--------|------|--------|------|--------|------|--------|------|
| 727276 | a    | 728707 | a    | 727445 | a    | 727294 | b    | 727372 | c    | 727277 | d    | 727358 | e    |
| 727278 | f    | 727359 | g    | 727373 | h    | 727460 | i    | 727461 | i    |        |      |        |      |

| Pos | Fact/code | Alias  | Descrizione                  | Description                | Ref/Note  |
|-----|-----------|--------|------------------------------|----------------------------|-----------|
| 111 | 541R05400 | 093269 | Tappo per cerniera porta     | Door hinge plug            |           |
| 112 | 639R06800 | *      | Connettore dritto 3 vie      | Connector 3 ways right     |           |
| 112 | 639R06900 | *      | Connettore dritto 7 vie      | Connector 7 ways right     |           |
| 112 |           | 099740 | Connettore 90° 7 vie         | Connector 7 ways 90°       |           |
| 112 |           | 099741 | Connettore 90° 5 vie         | Connector 5 ways 90°       |           |
| 112 |           | 088998 | Connettore 90° 3 vie         | Connector 3 ways 90°       |           |
| 112 |           | 099743 | Connettore 90° 3 vie piccolo | Connector 3 ways 90° small |           |
| 112 |           | 099742 | Connettore 90° 2 vie         | Connector 2 ways 90°       |           |
| 112 |           | 091682 | Connettore 90° 4 vie         | Connector 4 ways 90°       |           |
| 112 |           | 091684 | Connettore 90° 5 vie         | Connector 5 ways 90°       |           |
| *   | 639R09600 | 093180 | Convertitore spina UK        | UK plug converter          | e,c,g,h,i |
| 113 | 624R01400 | 093270 | Alimentatore                 | Light power                | d         |