

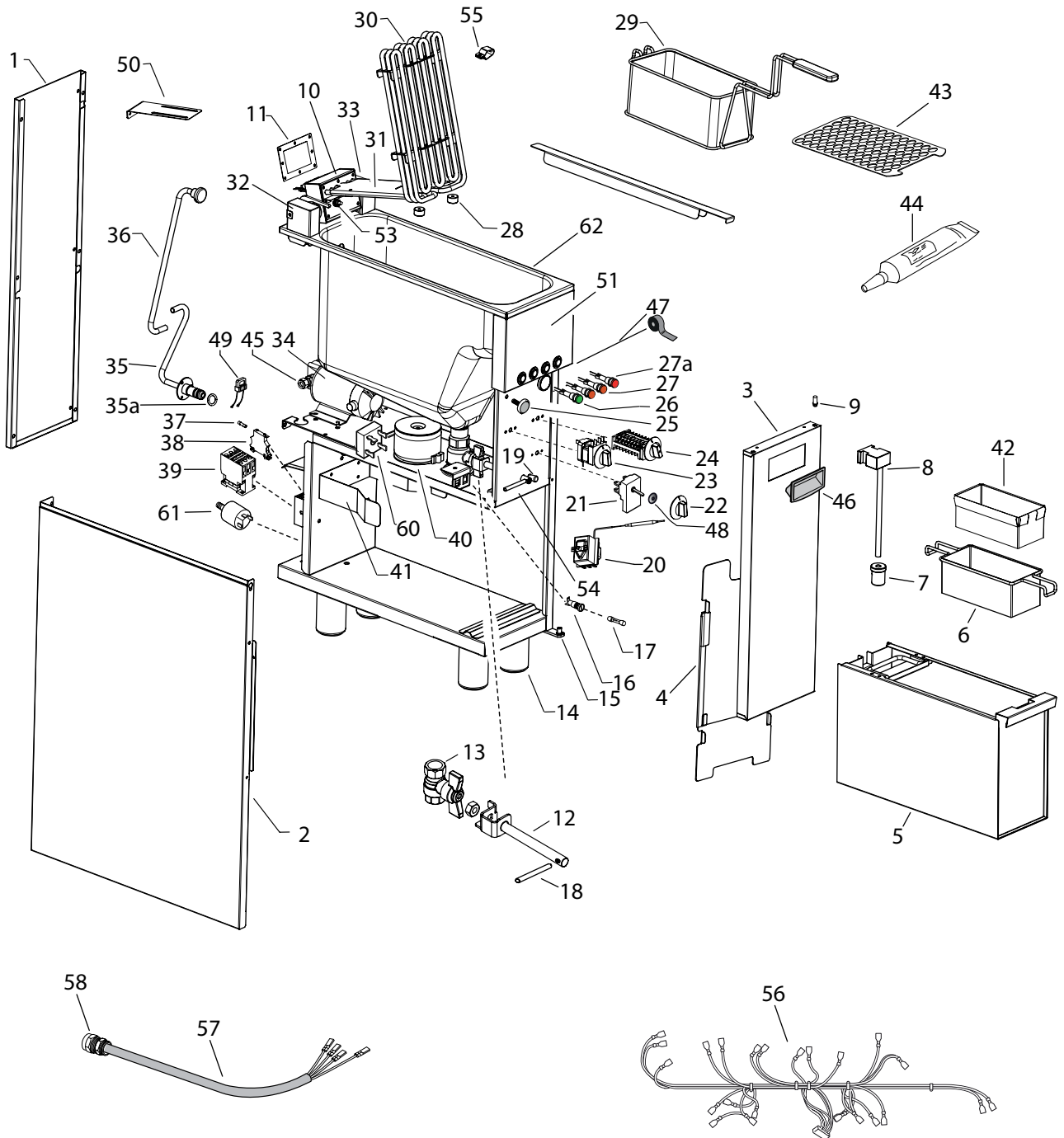
---

GREENE KING ELECTRIC FRYER  
GREENE KING FRIGGITRICE ELETTRICA

<b>PNC</b>	<b>Model</b>	<b>Ref</b>	<b>Version</b>	<b>Notes</b>
285561	EXFRPB1BWF	A	EL	1WELL 1F, 240V
285562	EXFRPB1BWQ	B	EL	1WELL 1F, 240V PUMP
285563	EXFREB1BWF	C	EL	1WELL 3F, 415V
285564	EXFREB1BWQ	D	EL	1WELL 3F, 415V PUMP

<b>PAG</b>	<b>INDEX</b>	<b>INDICE</b>
2	Components	Componenti
3,4,5	Spare Parts List	Lista Ricambi

# Components / Componenti



Actual wire harness may be different from illustration.

<b>PNC</b>	<b>Ref</b>	<b>PNC</b>	<b>Ref</b>
285561	A	285563	C
285562	B	285564	D

Pos	SPARE PART CODE	FACTORY CODE	DESCRIZIONE	DESCRIPTION	REF/NOTE
1	*	05038AAD00	BACK PANEL	SCHIENALE	A,C
1	*	050689D902	BACK PANEL	SCHIENALE	B,D
2	*	05038AAA01	SIDE PANEL, LEFT	FIANCO SX	
2	*	05038AAB01	SIDE PANEL, RIGHT	FIANCO DX	
3	0C9218	085589FM01	DOOR WITHOUT HANDLE	ASS. PORTA (SENZA MANIGLIA)	
4	*	050589FK00	LID	COPERCHIO	TOP PART
4	*	050489QC01	LID	COPERCHIO	LOWER PART
5	0C9544	085089LS00	OIL TUB	ASS.BACINELLA OLIO	A,C
5	0C9545	085089LT00	OIL TUB	ASS.BACINELLA OLIO	B,D
6	0C9185	083089J502	STAINLESS S. FILTER	FILTRO FRIGGITRICE INOX	
7	0C9233	083089JR01	NOZZLE PROBE FILTER	FILTRO PESCANTE	B,D
8	0C9232	080083A201	OIL PROBE	PESCANTE OLIO	B,D
9	092942	0514R05301	DOOR PIN	PERNO PORTA SUPERIORE	
10	0C9213	083089J302	HEATING ELEMENT BOX	SCATOLA RESISTENZA	
11	0C9178	0543844R00	GASKET, HEATING EL.	GUARNIZIONE RESISTENZA	
12	0C9174	0516899W01	KNOB EXTENSION, TAP	PROLUNGA LEVA SCARICO	
13	0A5439	0835841201	DISCHARGE VALVE	VALV.SFERA AIRAGA CON FAR-FALLA	
14	0C9183	0835876J00	FOOT, PIN M10	PIEDE, PERNO M 10	
15	0C9170	0500898D01	LOWER HINGE WITH PIN	CERNIERA INF. CON PERNO	
16	0C2228	0652804800	FUSE HOLDER	PORTAFUSIBILE	B,D
17	0C2230	0652805100	FUSE 6,3 X32 6,3AMP	FUSIBILE 6,3 X32 6,3AMP	B,D
18	0C9173	051589B901	HANDLE FOR DISCHARGE VALVE	IMPUGNATURA VALV.SCARICO FRIGG. 8'	
19	0C9175	0516899Z00	KNOB	POMELLO	
20	0CA299	0646817H00	SAFETY THERMOSTAT	TERMOSTATO SICUREZZA	
21	0C9184	0646817C00	TIMER FOR PUMP	TIMER POMPA	B,D
22	0A2269	0A05437100	KNOB	MANOPOLA	
23	052330	0446578713	WORK THERMOSTAT 90-185C	TERMOSTAT 90-185C	
24	0C9180	0641805401	POWER REGULATOR	COMMUTATORE POTENZA	
25	0C0201	0830898201	DOOR MAGNET	MAGNETE PORTA	
26	005010	0876800002	GREEN LAMP	LAMPADA VERDE	
27	005011	0876800102	ORANGE LAMP	LAMPADA ARANCIO	
27a	0C0687	0876800201	RED LAMP	LAMPADA ROSSA	
28	*	051489CK01	HEATING ELEMENT SPACER	DISTANZIALE VASCA/RESISTENZA	
29	0C9182	080589BT01	BASKET	CESTELLO FRIGGITRICE	
30	0C9179	0617839L04	HEATING ELEMENT	RESISTENZA ELETTRICA	

<b>PNC</b>	<b>Ref</b>	<b>PNC</b>	<b>Ref</b>
285561	A	285563	C
285562	B	285564	D

<b>Pos</b>	<b>SPARE PART CODE</b>	<b>FACTORY CODE</b>	<b>DESCRIZIONE</b>	<b>DESCRIPTION</b>	<b>REF/NOTE</b>
31	0C9214	050689D002	H.E. PROTECTION / WITH OIL LEVEL	PROTEZIONE RESSISTENZA / LIVELLO OLIO	
32	*	0500898C00	LEFT SIDE H.E. BOX	ESTREMITA' SX SCATOLA RESISTENZA	
33	*	0500898M00	RIGHT SIDE H.E. BOX	ESTREMITA' DX SCATOLA RESISTENZA FRIG.200MM	
34	006146	686800002	OIL PUMP	POMPA OLIO	B,D
35	0C9231	51589BD01	PIPE	CONDUTTURA ASPIRAZIONE	B,D
35a	0C2183	543826400	OR GASKET	OR GUARNIZIONE	2pcs needed
36	0C9230	51589BC01	PIPE	CONDUTTURA OLIO	B,D
37	0C4996	0652806100	FUSE 5X20 3,15A	FUSIBILE 5X20 3,15A	
37	0C1884	652806400	FUSE 10,3X38 10A	FUSIBILE 10,3X38 10A	C,D
38	056582	652800401	FUSE HOLDER	PORTAFUSIBILE	
38	075737	652603200	FUSE HOLDER 32A	PORTAFUSIBILE unipolare 32A	C,D
39	0C7622	0648807900	CONTACTOR (RELAY)	CONTATTORE 10A 230V 50/60HZ	
40	006159	624805601	TRANSFORMER	TRASFORMATORE	B,D
41	*	50689D100	OIL TUB GUIDE	GUIDA BACINELLA OLIO	B,D
42	*	542800600	POLYESTER OIL, FILTER	FILTRO OLIO, POLIESTERE	
43	206394	50589GR00	FISH PLATE	FONDO PER PESCE	ACCESSORY
44	003926	0147098067	RED SILICONE (HIGH TEMP.)	SIGILLANTE ROSSO (ALTA TEMP.)	
45	056832	A05001000	PIPE/PUMP JUNCTION	RACCORDO POMPA/CONDUTTURA	B,D
46	0C2016	0548861304	DOOR HANDLE	IMPUGNATURA PORTA	
47	0C2496	0543821900	GRAY SPONGE GASKET	SPUGNA GRIGIA	for control panel
48	0C6171	0541813800	SILICONE GASKET FOR KNOB	RONDELLA IN SILICONE PER CRUSCOTTI	
49	003551	0694801500	SNUBBER, FILTER DISTURBANCE	FILTRO ANTIDISTURBO (SNUBBER)	R=100 OHM
50	0C9212	050489QM00	FIX TO WALL BRACKET	STAFFA FISS. A MURO	
51	*	85589GY00	CONTROL PANEL ASSEMBLY	ASSIEME CRUSCOTTO	
53	002785	0640803300	MICRO SWITCH, H.E. SAFETY	MICRO SICUREZZA RESISTENZA	
54	*	083089LB00	FRONT PANEL	PANNELLO ANTERIORE	A,C
54	*	083089LC01	FRONT PANEL (WITH PUMP)	PANNELLO ANTER. CON POMPA	B,D

<b>PNC</b>	<b>Ref</b>	<b>PNC</b>	<b>Ref</b>
285561	A	285563	C
285562	B	285564	D

<b>Pos</b>	<b>SPARE PART CODE</b>	<b>FACTORY CODE</b>	<b>DESCRIZIONE</b>	<b>DESCRIPTION</b>	<b>REF/NOTE</b>
55	*	050689D700	OIL PROBES, FIXING CLIP	FASCETTA FISS. BULBO TERMO-STATI	
56	*	063889B300	APPLIANCE WIRING HAR-NESS	CABLAGGIO ELETTRICO MAC-CHINA	A, B
56	*	063889B400	APPLIANCE WIRING HAR-NESS	CABLAGGIO ELETTRICO MAC-CHINA	C, D
56	*	063889AK00	WIRING HARNESS OF PUMP	CABLAGGIO ELETTRICO PER POMPA	B,D
57	*	634803H01	SUPPLY WIRE	CAVO ALIMENTAZIONE	A,B
57	*	634803J00	SUPPLY WIRE	CAVO ALIMENTAZIONE	C,D
58	<a href="#">0C0068</a>	0544802300	WIRE STOPPER	PRESSACAVO	
60	<a href="#">006147</a>	675830800	RECTIFIER	PONTE RADDRIZZATORE	B,D
61	<a href="#">0C4950</a>	694805900	FILTER DISTURBANCE	FILTRO ANTIDISTURBO	B,D
62	<a href="#">0C9219</a>	85589LN01	FRYER WELL	VASCA FRIGGITRICE	A,C
62	<a href="#">0C9220</a>	85589FN01	FRYER WELL	VASCA FRIGGITRICE	B,D