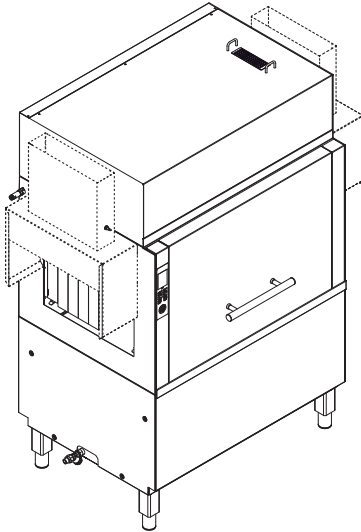
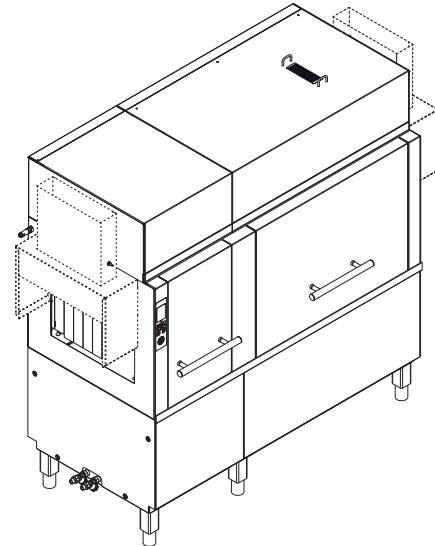


COMPACT RACK TYPE DISHWASHER


44"

66"
Models Affected:

Product Nuber Code	Description
534044	ECRT200RAA
534045	ECRT200LAA
534046	ECRT200RA
534047	ECRT200LA
534048	ECRT200RB
534049	ECRT200LB
534050	ECRT250RAA
534051	ECRT250LAA
534052	ECRT250RA
534053	ECRT250LA
534054	ECRT250RB
534055	ECRT250LB
534078	NRT200RAA6
534079	NRT200LAA6
534080	NRT200RA6
534081	NRT200LA6

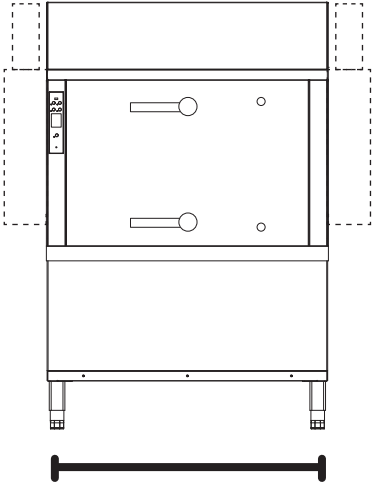
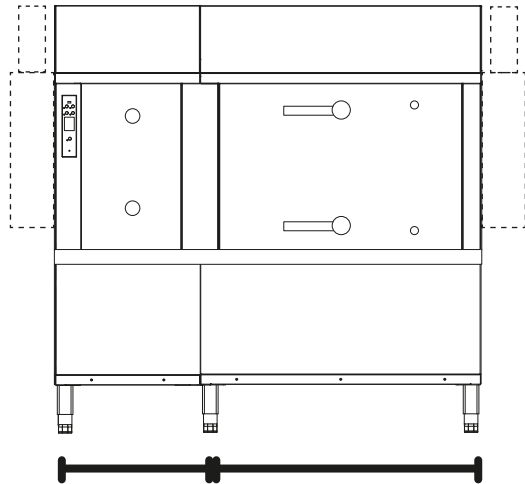
Product Nuber Code	Description
534082	NRT200RB6
534083	NRT200LB6
534084	NRT250RAA6
534085	NRT250LAA6
534086	NRT250RA6
534087	NRT250LA6
534088	NRT250RB6
534089	NRT250LB6
534356	NRT200RAA
534357	NRT200LAA
534358	NRT200RB
534359	NRT200LB
534360	NRT250RAA
534361	NRT250LAA
534362	NRT250RB
534363	NRT250LB

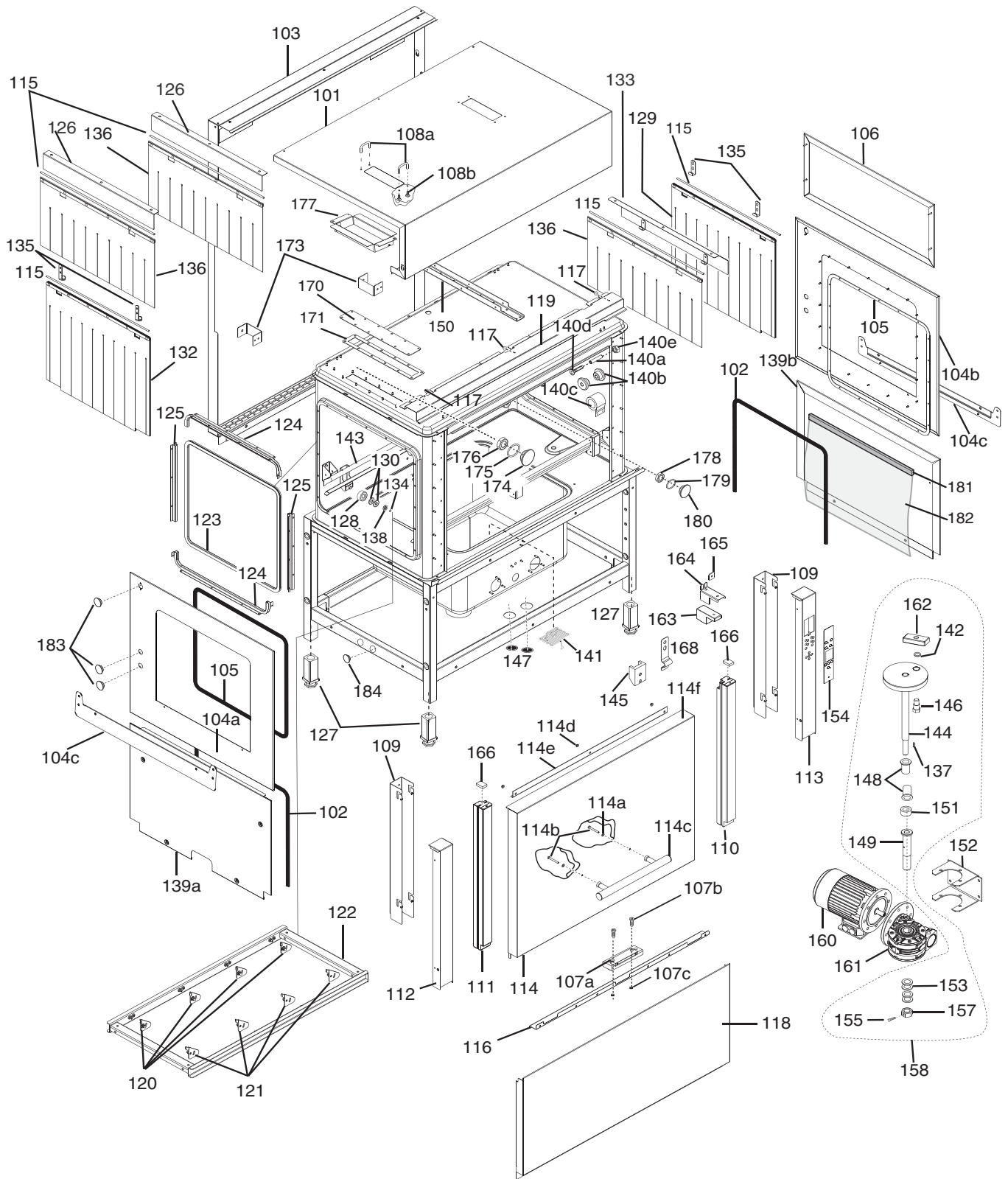
Brand: ELECTROLUX/TO BRAND
Country: FAR EAST/BP/MIDDLE EAST/AFRICA

INDEX

Drawing	Description	Page
	VIEW OF MODULES COMPOSITION	3
iii.59566FJ00p1	Main view, Wash + Rinse for 44 inch machine	4
	Spare parts list	5
iii. 59566FJ00p2	Main view, Prewash for 22 inch module	8
	Spare parts list	9
iii. 59566FJ00p3	Wash hydraulic circuit, Wash + Rinse for 44 inch module	11
	Spare parts list	12
iii. 59566FJ00p4	Prewash hydraulic circuit, Prewash for 22 inch module	14
	Spare parts list	15
iii. 59566FJ00p5	Rinse hydraulic circuit, Wash + Rinse for 44 inch module	17
	Spare parts list	18
II. 59566FJ00p6-01	Electrical components, Wash + Rinse for 44 inch module	20
	Spare parts list	22
iii. 59566FJ00p7	Electrical components, Prewash for 22 inch module	25
	Spare parts list	26

VIEW OF MODULES COMPOSITION

44"	66"
 <p style="text-align: center; margin-top: 10px;">Wash + Rinse (44in)</p>	 <p style="text-align: center; margin-top: 10px;">Prewash (22in) Wash + Rinse (44in)</p>
See Images:	See Images:
ill.59566FJ00p1 pag. 4 ill. 59566FJ00p3 pag. 11 ill. 59566FJ00p5 pag. 17 ill. 59566FJ00p6-01 pag. 20	ill. 59566FJ00p2 pag. 8 ill. 59566FJ00p4 pag. 14 ill. 59566FJ00p7 pag. 25 ill.59566FJ00p1 pag. 4 ill. 59566FJ00p3 pag. 11 ill. 59566FJ00p5 pag. 17 ill. 59566FJ00p6-01 pag. 20

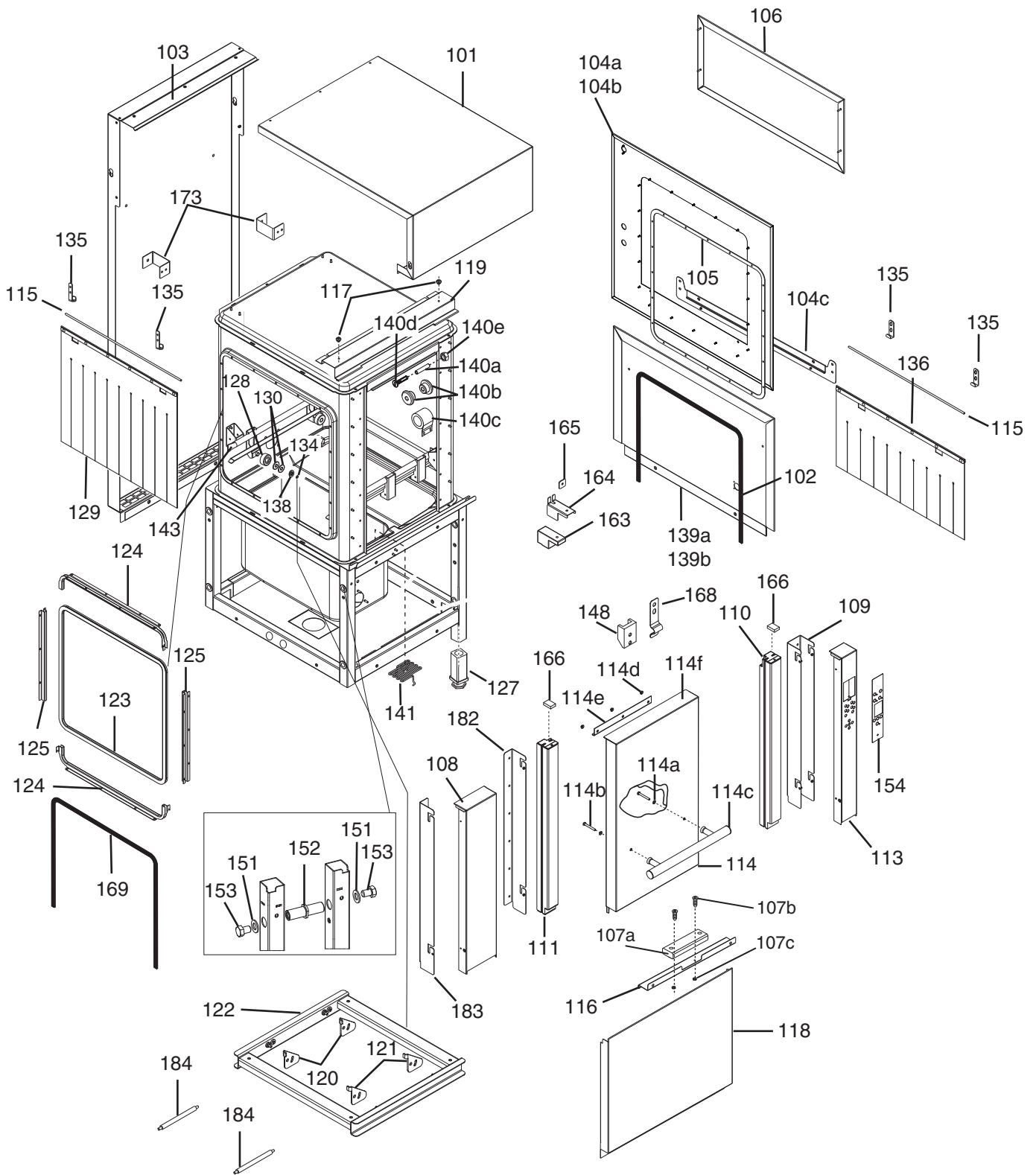


ill.59566FJ00p1
Main view, Wash + Rinse for 44 inch machine

Main view, Wash + Rinse for 44 inch machine					ill.59566FJ00p1 Bold Print = changes
Pos.	Q.ty	Spare Part Nr.	Manufacturing Part Nr.	Part description	Notes
101	1	0L3108	830659D00	Top cover	Up to Ser: 5141
101	1	0LXXXX	83065G900	Top cover	From Ser: 5151
102	2	0L2167	543633J00	Lower side panel gasket	
103	1	0L3144	830659F00	Back panel	
104a	1	0L3381	83065DU00	Left panel	
104b	1	0L3382	83065DT00	Right panel	
104c	2	0L3374	800675P00	Splash guard with gasket	
105	2	0L0875	543629700	Side panel outer gasket	
106	2	0L3109	5046A8Y00	Upper side panel	
107a	1	0L3315	805666N00	Magnet	
107b	2	0L3248	217521165	Screw	M3X16mm
107c	2	0L1869	218161500	Self-locking nut	M3
108a	2	0L2514	5146A4F00	Guard	
108b	4	0L2513	217042105	Guard screw	M4X10mm (set of 10pcs)
109	2	0L1169	830643202	Side channel support	
110	1	0L0832	830637102	Right door guide	
111	1	0L0833	830637202	Left door guide	
112	1	0L0856	830641103	Slim panel	
113	1	0L2269	830655B01	User interface panel	
114	1	0L2461	835621F00	Door assembly	
114a	2	0L1671	206004106	Door washer	6.4X12.5mm (Set 50 pcs)
114b	2	0L2455	217600900	Door screw	M6X50mm (Set of 10 pcs)
114c	1	0L2451	515662400	Door handle	
114d	3	0L2469	218152092	Door nut	M5X5mm (Set of 10 pcs)
114e	1	0L2452	5046A1200	Door splashguard	
114f	1	0L2450	850664500	Door	
115	5	0E5826	RT0003700	Curtain rod	...200...A - ...200...B - ...250...A - ...250...B
116	1	0L1492	5046A2301	Splashguard	
117	3	0L0839	549644800	Locking stud	
118	1	0L3110	503619W01	Lower dress panel	
119	1	0L3111	503619Q00	Upper panel case	Up to Ser: 5141
119	1	0LXXXX	50361CZ00	Upper panel case	From Ser: 5151
120	4	0L1314	5046A3800	Right conveyor dog	
121	4	0L1315	5046A3900	Left conveyor dog	
122	1	0L1486	830646602	Rack guide assembly	
123	1	0L0827	543630300	Side panel inner gasket	
124	2	0L0992	502697602	Gasket horizontal cover	
125	2	0L0991	502697501	Gasket vertical cover	
126	2	0L3112	5046A9301	Single short curtain support	
127	4	0L3113	805666300	Feet	
128	6	0L2520	547604800	Roller	
129	1	0L2312	541617D00	Double long curtain	...200...AA - ...250...AA
129	1	0L1732	541617000	Double long curtain	...200...A - ...200...B - ...250...A - ...250...B
130	12	0L2174	549646100	Roller spacer	
132	1	0L2314	541616301	Quadruple long curtain	...200...AA - ...250...AA
132	1	0L1732	541617000	Double long curtain	...200...A - ...200...B - ...250...A - ...250...B

Main view, Wash + Rinse for 44 inch machine					ill.59566FJ00p1 Bold Print = changes
Pos.	Q.ty	Spare Part Nr.	Manufacturing Part Nr.	Part description	Notes
133	1	0L3114	5046A9201	Single short curtain support for entrance	
134	6	0L2522	219614400	Retainer ring	7mm
135	4	0L3115	50361BM01	Curtain hook	
136	3	0L2313	541617C00	Single short curtain	...200...AA - ...250...AA
136	3	0L1733	541617100	Single short curtain	...200...A - ...200...B - ...250...A - ...250...B
137	1	0W1131	RT0020600	Drive shaft key	5X5X16mm
138	6	0L2521	5066A0R00	Flanged washer	
139a	1	0L3116	5026B6H00	Left lower side panel	
139b	1	0L3117	5026B6J00	Right lower side panel	
140a	2	0L0857	515659300	Door spring bolt sleeve	
140b	4	0L1170	546631100	Door spring bushing	
140c	2	0L3118	805666B00	Door spring	
140d	2	0E5792	W00516700	Door spring bolt	M8X70mm
140e	2	0E5063	W00501500	Door spring bolt nut M8	
141	1	0L2515	5146A4100	Drain screen	
142	1	0L2472	W00521500	Washer	Set of 10 pcs
143	2	0L3289	083065AN01	44 inch rack rail	
144	1	0L1308	835620702	Conveyor drive shaft	
145	2	0L0861	541612801	Door stop	
146	1	0L1278	514695102	Bolt	22X49mm
147	2	0L3119	543633900	Plug	
148	2	0E5043	W00115100	Drive shaft bushing	
149	1	0L0847	514695001	Gear motor rod	
150	1	0L0867	503507302	CU reinforcement	
151	1	0E5187	W00111300	Locking collar with setscrew	
152	1	0L2317	504696303	Gear motor support	
153	4	0L0152	RT0020700	Spring washer	
154	1	0L3107	54864BP00	User interface label dx (color blue)	Only for ECRT right machine
154	1	0L3106	54864BN00	User interface label sx (color blue)	Only for ECRT left machine
154	1	0L3621	54864CH00	User interface label dx (color grey)	Only for NRT right machine
154	1	0L3620	54864CG00	User interface label sx (color grey)	Only for NRT left machine
155	1	0L2334	217015125	Bolt	M8X12mm (Set of 10 pcs)
157	1	0L1712	5146A2500	Nut	M24X19mm
158		0L2457		Drive shaft kit	Parts: 137, 142, 144, 146, 148, 149, 151, 153, 155, 157, 162
160	1	0L3022	835622601	Conveyor drive motor	
161	1	0L1281	835621300	Gearbox	
162	1	0L1275	547604600	Rack guide slide block	
163	2	0L1471	543631300	Gasket	
164	2	0L1470	502697402	Gasket cover	
165	2	0L1469	503609200	Square washer	
166	2	0L1597	565615200	Door guide gasket	
168	2	0L1528	507690700	Door latch	
170	1	0L0877	800667301	CU plug	...200...AA - ...200...A - ...250...AA - ...250...A
171	1	0L0876	543631001	CU gasket	
173	2	0L2088	805664Q00	Back panel support	
174	1	0L1148	5146A0600	Wash chamber wall plug	3/4in G

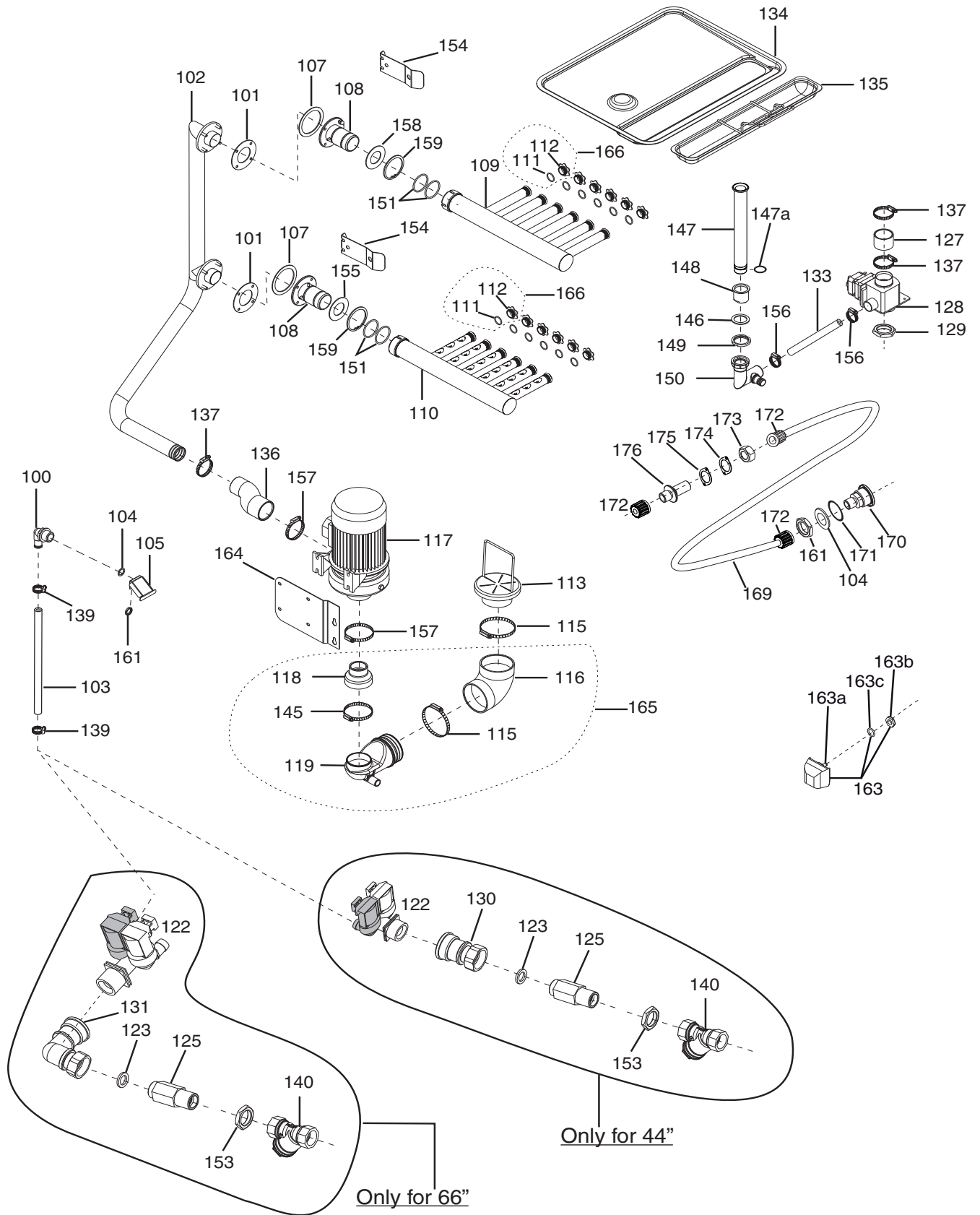
Pos.	Q.ty	Spare Part Nr.	Manufacturing Part Nr.	Part description	Notes
175	1	0L3120	543633C00	Wash chamber wall plug o-ring	1.78x26.7mm
176	1	0E5056	W00525500	Wash chamber wall lock nut	3/4in G
177	1	0L3121	800674T01	CU steam exhaust	
178	2	0L2115	514699500	Wash chamber wall lock nut	M20X1.5mm
179	2	0L2302	543634000	Wash chamber wall plug o-ring	1.78x20.35mm
180	2	0L2114	514698300	Wash chamber wall plug	M20X1.5mm
181	1	049931	590603500	Hook and loop fastener	
182	1	0L2554	569608F00	Inverter protection panel	
183	3	0L3104	541618300	Plug panel	
184	3	0L3105	541618400	Plug frame	



iii. 59566FJ00p2
Main view, Prewash for 22 inch module

Main view, Prewash for 22 inch module					iii. 59566FJ00p2 Bold Print = changes
Pos.	Q.ty	Spare Part Nr.	Manufacturing Part Nr.	Part description	Notes
101	1	0L3122	830659A00	Prewash top cover	
102	1	0L2167	543633J00	Lower side panel gasket	
103	1	0L3143	83065BY01	Back panel	
104a	1	0L3381	83065DU00	Left panel	
104b	1	0L3382	83065DT00	Right panel	
104c	1	0L3374	800675P00	Splash guards with gasket	
105	1	0L0875	543629700	Outer side panel gasket	
106	1	0L3109	5046A8Y00	Upper side panel	
107a	1	0L3315	805666N00	Magnet	
107b	2	0L3248	217521165	Screw	M3X16mm
107c	2	0L1869	218161500	Self-locking nut	M3
108	1	0L0984	830641003	PW panel	
109	2	0L1169	830643202	Side channel support	
110	1	0L0832	830637102	Right door guide	
111	1	0L0833	830637202	Left door guide	
113	1	0L2269	830655B01	User interface panel	
114	1	0L2462	835621N00	Door assembly	
114a	2	0L1671	206004106	Door washer	6.4X12.5mm (Set 50 pcs)
114b	2	0L2455	217600900	Door screw	M6X50mm (Set of 10 pcs)
114c	1	0L2451	515662400	Door handle	
114d	3	0L2469	218152092	Door nut	M5X5mm (Set of 10 pcs)
114e	1	0L2454	5046A1000	Door splashguard	
114f	1	0L2453	850664400	Door	
115	2	0E5826	RT0003700	Curtain rod	...200...A - ...200...B - ...250...A - ...250...B
116	1	0L1491	5046A2201	Splashguard	
117	2	0L0839	549644800	Locking stud	
118	1	0L3131	50361BN01	Lower dress panel	
119	1	0L3126	503619R00	Upper panel case	
120	2	0L1314	5046A3800	Right conveyor dog	
121	2	0L1315	5046A3900	Left conveyor dog	
122	1	0L1485	830646502	Rack guide assembly	
123	1	0L0827	543630300	Side panel inner gasket	
124	2	0L0992	502697602	Gasket horizontal cover	
125	2	0L0991	502697501	Gasket vertical cover	
127	4	0L3113	805666300	Feet	
128	4	0L2520	547604800	Roller	
129	1	0L2312	541617D00	Double long curtain	...200...AA - ...250...AA
129	1	0L1732	541617000	Double long curtain	...200...A - ...200...B - ...250...A - ...250...B
130	8	0L2174	549646100	Roller spacer	
134	6	0L2522	219614400	Retainer ring	7mm
135	4	0L1172	505600001	Curtain hook	
136	3	0L2313	541617C00	Single short curtain	...200...AA - ...250...AA
136	3	0L1733	541617100	Single short curtain	...200...A - ...200...B - ...250...A - ...250...B
138	4	0L2521	5066A0R00	Flanged washer	
139a	1	0L3116	5026B6H00	Left lower side panel	For left machine
139b	1	0L3117	5026B6J00	Right lower side panel	For right machine
140a	1	0L0857	515659300	Door spring bolt sleeve	
140b	2	0L1170	546631100	Door spring bushing	
140c	1	0E5167	W00093300	Door spring	

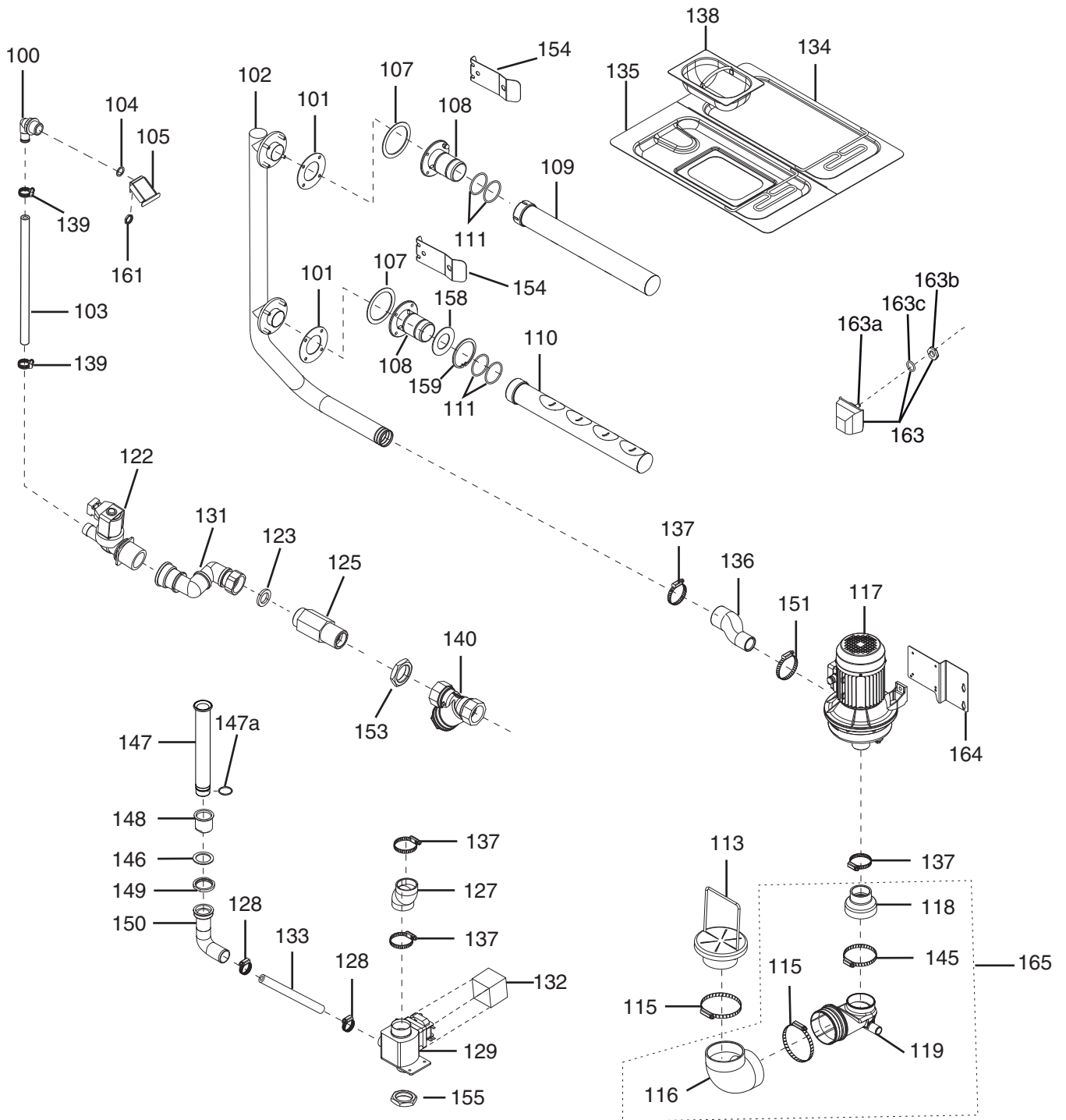
Main view, Prewash for 22 inch module					iii. 59566FJ00p2 Bold Print = changes
Pos.	Q.ty	Spare Part Nr.	Manufacturing Part Nr.	Part description	Notes
140d	1	0E5792	W00516700	Door spring bolt	M8X70mm
140e	1	0E5063	W00501500	Door spring bolt nut M8	
141	1	0L2515	5146A4100	Drain screen	
143	2	0L3351	83065AQ01	22 inch rack rail	
148	2	0L0861	541612801	Door stop	
151	8	0L2329	206008195	Washer	15X28mm
152	4	0L2324	5146A2401	Spacer	
153	8	0L2328	217018205	Bolt	M14X20mm
154	1	0L3107	54864BP00	User interface label dx (color blue)	Only for ECRT right machine
154	1	0L3106	54864BN00	User interface label sx (color blue)	Only for ECRT left machine
154	1	0L3621	54864CH00	User interface label dx (color grey)	Only for NRT right machine
154	1	0L3620	54864CG00	User interface label sx (color grey)	Only for NRT left machine
163	2	0L1471	543631300	Gasket	
164	2	0L1470	502697402	Gasket cover	
165	2	0L1469	503609200	Square washer	
166	2	0L1597	565615200	Door guide gasket	
168	2	0L1528	507690700	Door latch	
169	1	0L2311	543633H00	Lower middle gasket	
173	2	0L2088	805664Q00	Back panel support	
182	1	0L3127	830659M01	PW panel support dx	
183	1	0L3128	830659L01	PW panel support sx	
184	2	0L0841	514695200	Drawing connection shaft	



iii. 59566FJ00p3
Wash hydraulic circuit, Wash + Rinse for 44 inch module

Wash hydraulic circuit, Wash + Rinse for 44 inch module					ill. 59566FJ00p3 Bold Print = changes
Pos.	Q.ty	Spare Part Nr.	Manufacturing Part Nr.	Part description	Notes
100	1	0L0653	511619900	Elbow fitting	1/2in G
101	4	0L0919	543629400	Wash manifold gasket	
102	1	0L1187	830632603	Wash pipe	
103	1	048531	140066039	Hot water inlet tube	
104	1	0L2402	569608800	Hot water inlet gasket	
105	1	0E5848	RT0011900	Inlet splashguard	
106	2	0L1370	800669401	Wash arm latch	
107	2	0L2308	543633U00	Wash hub inner o-ring	65.10x3.53mm
108	2	0L3129	83065AL00	Wash arm hub	
109	1	0L3018	83065AH00	Upper washing arm dx	For right machine Up to Ser: 5051
109	1	0L3479	83065G200	Upper washing arm dx	For right machine From Ser: 5061
109	1	0L3019	83065AJ00	Upper washing arm sx	For left machine Up to Ser: 5051
109	1	0L3480	83065G300	Upper washing arm sx	For left machine From Ser: 5061
110	1	0L3019	83065AJ00	Lower washing arm dx	For right machine Up to Ser: 5051
110	1	0L3480	83065G300	Lower washing arm dx	For right machine From Ser: 5061
110	1	0L3018	83065AH00	Lower washing arm sx	For left machine Up to Ser: 5051
110	1	0L3479	83065G200	Lower washing arm sx	For left machine From Ser: 5061
111	12	0L2309	543633T00	Wash arm endcap o-ring	26,65x2,62mm
112	12	0L1711	541617400	Wash arm endcap	
113	1	0L0951	800666601	Pump intake screen	
115	2	0L0915	518682500	Hose clamp	100-120mm
116	1	0L0930	544635700	Wash pump inlet elbow	
117	1	0L1735	611636900	Wash pump 50Hz	ECRT.../NRT... models
117	1	0L2480	611636A01	Wash pump 60Hz	NRT.....6 models
118	1	0L1734	544685900	Wash pump inlet boot	
119	1	0L1549	544685400	Pump inlet manifold	
122	1	0L3102	696618D00	Solenoid valve	
123	1	049201	543624401	Gasket	15.5x24x3mm
125	1	0L2687	5146A5400	Inlet fitting	3/4in G
127	1	0L0934	544639901	Wash tank drain boot	
128	1	0L2506	696618600	Drain solenoid valve	1 1/2in G
129	1	0L3130	544688F00	Ring nut	1 1/2in G
130	1	0L3383	805666700	180° fitting kit 3/4in G	Only for 44" machine
131	1	0L3384	805666800	Elbow fitting kit 3/4in G	Only for 66" machine
133	1	0L0939	544683100	Drain pipe	40x5mm
134	1	0L0892	504694300	Wash tank scrap screen	
135	1	0L0973	830634902	Wash tank scrap basket	
136	1	0L0936	544640100	Wash pump outlet boot	
137	3	046855	518602801	Hose clamp	50-70mm
139	2	048126	518609801	Hose clamp	12-22mm
140	1	068121	330700014	Water filter	3/4in G
145	1	0L0914	518682600	Clamp	80-100mm

Wash hydraulic circuit, Wash + Rinse for 44 inch module					ill. 59566FJ00p3 Bold Print = changes
Pos.	Q.ty	Spare Part Nr.	Manufacturing Part Nr.	Part description	Notes
146	1	0L2307	543633V00	Overflow outlet o-ring	42.86x3.53mm
147	1	0L2295	830657300	Overflow + o-ring kit	Assembly code
147a	1	0L2359	543634100	O-ring for overflow	2.62 X 32.99mm
148	1	075624	511607200	Overflow boot	
149	1	066079	215190400	Nut	1 1/2in G
150	1	0L1527	805664500	Wash overflow manifold	
151	4	0L2307	543633V00	Wash arm hub o-ring	42,86x3,53mm
153	1	0E5056	W00525500	Nut	3/4in G
154	2	0L2987	5056A2D00	Wash arm spring	
155	1	0L1754	5026B0E00	Lower manifold reducer	18.5mm ID
156	2	0L0193	518614400	Hose clamp	40-60mm
157	2	046853	518602901	Hose clamp	60-80mm
158	1	0L1185	5026A3000	Upper manifold reducer	29mm ID
159	2	0L1189	219065212	Wash manifold snap ring	
161	2	0E5424	W00525400	Nut	1/2in G
163	2-3	0L2362		Air trap assembly	Qty 2 in 44 inch machine, Qty 3 in 66 inch machine
163a	1	048308	542604901	Air trap	
163b	1	049268	544623800	Air trap nut	M14x1.5mm
163c	1	0L2305	543633X00	Air trap o-ring	2.62x15.54mm
164	1	0L3132	5046A6J01	Wash pump motor bracket	
165	1	0L3133	830658T00	Wash pump manifold kit	parts: 115, 116, 118, 119, 145
166	12	0L2214	805664900	Wash arm endcap kit	parts: 111, 112
169	1	0L1163	544685200	Detergent hose	4.3x6mm grey
170	1	0L3135	5146A6V00	Detergent hose barb for tank	1/2in G
171	1	0L2302	543634000	O.Ring	1.78x20.35mm
172	3	0L3079	511621000	Chemical ring nut	
173	1	0L3157	218526205	Nut M12	
174	1	0L2683	543634C00	Rubber gasket	
175	1	0L3136	5066A2600	Flange	
176	1	0L3137	5146A6U00	Chemical hose barb for panel	



iii. 59566FJ00p4
Prewash hydraulic circuit, Prewash for 22 inch module

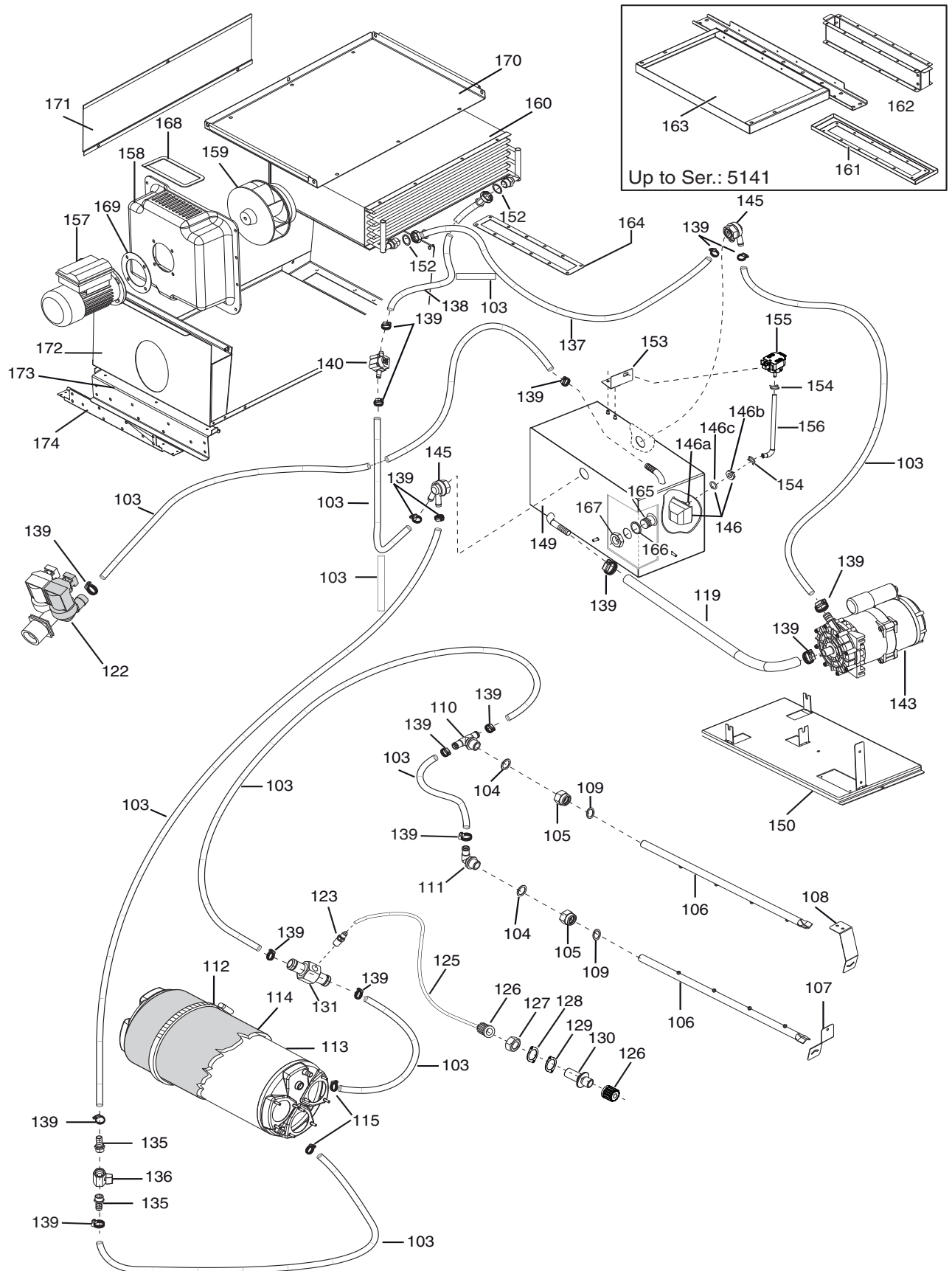
Prewash hydraulic circuit, Prewash for 22 inch module					iii. 59566FJ00p4 Bold Print = changes
Pos.	Q.ty	Spare Part Nr.	Manufacturing Part Nr.	Part description	Notes
100	1	0L0653	511619900	Elbow fitting	1/2in G
101	2	0L0919	543629400	Wash manifold gasket	
102	1	0L1186	830632703	Prewash pipe	
103	1	048531	140066039	Hot water inlet tube	70 7/8in /1.8 m
104	1	0L2402	569608800	Hot water inlet tube gasket	
105	1	0E5848	RT0011900	Inlet splashguard	
107	2	0L2308	543633U00	Wash hub inner o-ring	65.10x3.53mm
108	2	0L3129	83065AL00	Wash arm hub	
109	1	0L3138	83065B500	Upper prewashing arm	Up to Ser: 5051
109	1	0L3481	83065G400	Upper prewashing arm	From Ser: 5061
110	1	0L3139	83065B600	Lower prewashing arm	Up to Ser: 5051
110	1	0L3482	83065G500	Lower prewashing arm	From Ser: 5061
111	4	0L2307	543633V00	Wash arm hub o-ring	42,86X3,53mm
113	1	0L0951	800666601	Pump intake screen	
115	2	0L0915	518682500	Hose clamp	100-120mm
116	1	0L0930	544635700	Prewash pump inlet elbow	
117	1	0L1195	611631200	Prewash pump 50 Hz	ECRT.../NRT... models
117	1	0L3290	611638300	Prewash pump 60 Hz	NRT.....6 models
118	1	0L1355	544683600	Suction hose	
119	1	0L1587	544685300	Prewash pump inlet boot	
122	1	0L2327	699618400	Solenoid valve	
123	1	049201	543624401	Gasket	15.5x24x3mm
125	1	0L2687	5146A5400	Inlet fitting	3/4in G
127	1	0L0935	544640001	Prewash tank drain boot	
128	2	0L0193	518614400	Hose clamp	40-60mm
129	1	0L2506	696618600	Drain solenoid valve	1 1/2in G
131	1	0L3140	805666900	"S" fitting kit 3/4in G	Only for 66" machine
132	1	0L3225	541618C00	Motor valve splash cover	
133	1	0L0939	544683100	Drain pipe	40x5mm
134	1	0L1499	830645102	Right prewash scrap screen	
135	1	0L2290	830656100	Left prewash scrap screen	
136	1	0L1268	544683500	Prewash pump outlet boot	
137	4	046855	518602801	Hose clamp	50-70mm
138	1	048252	830617602	Prewash scrap basket	
139	2	048126	518609801	Hose clamp	12-22mm
140	1	068121	330700014	Water filter	3/4in G
145	1	0L0914	518682600	Hose clamp	80-100mm
146	1	0L2307	543633V00	Overflow outlet o-ring	42.86x3.53mm
147	1	0L2296	830657400	Overflow + O-ring	Assembly code
147a	1	0L2359	543634100	O-ring for overflow	2,62 X 32,99mm
148	1	075624	511607200	Overflow boot	
149	1	066079	215190400	Nut	1 1/2in G
150	1	0L1589	805664200	Prewash overflow manifold	
151	1	046878	518602701	Hose clamp	35-50mm
153	1	0E5056	W00525500	Nut	3/4in G
154	2	0L2987	5056A2D00	Wash arm spring	
155	1	0L3130	544688F00	Ring nut	1 1/2in G
158	1	0L1184	5026A3100	Manifold reducer	23mm ID
159	1	0L1189	219065212	Wash manifold snap ring	52X2mm

Prewash hydraulic circuit, Prewash for 22 inch module

ill. 59566FJ00p4

Bold Print = changes

Pos.	Q.ty	Spare Part Nr.	Manufacturing Part Nr.	Part description	Notes
161	2	0E5424	W00525400	Nut	1/2in G
163	1	0L2362		Air trap assembly	Qty 2 in 44 inch machine, Qty 3 in 66 inch machine
163a	1	048308	542604901	Air trap	
163b	1	049268	544623800	Air trap nut	M14x1.5mm
163c	1	0L2305	543633X00	Air trap o-ring	2.62x15.54mm
164	1	0L3141	5046A6A01	Prewash pump motor bracket	
165	1	0L3142	830658S00	Prewash pump manifold kit	parts: 115, 116, 118, 119, 145

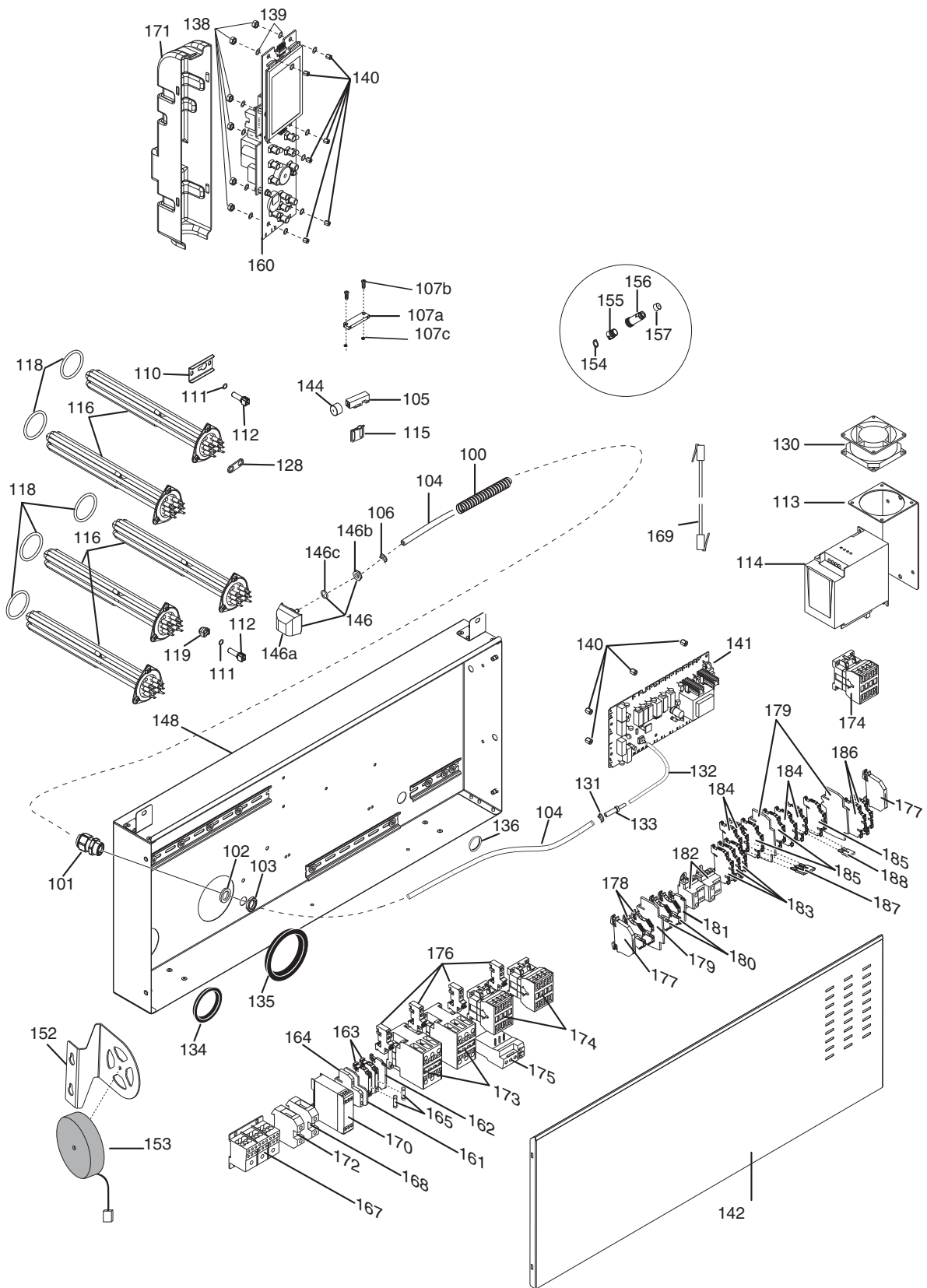


iii. 59566FJ00p5
Rinse hydraulic circuit, Wash + Rinse for 44 inch module

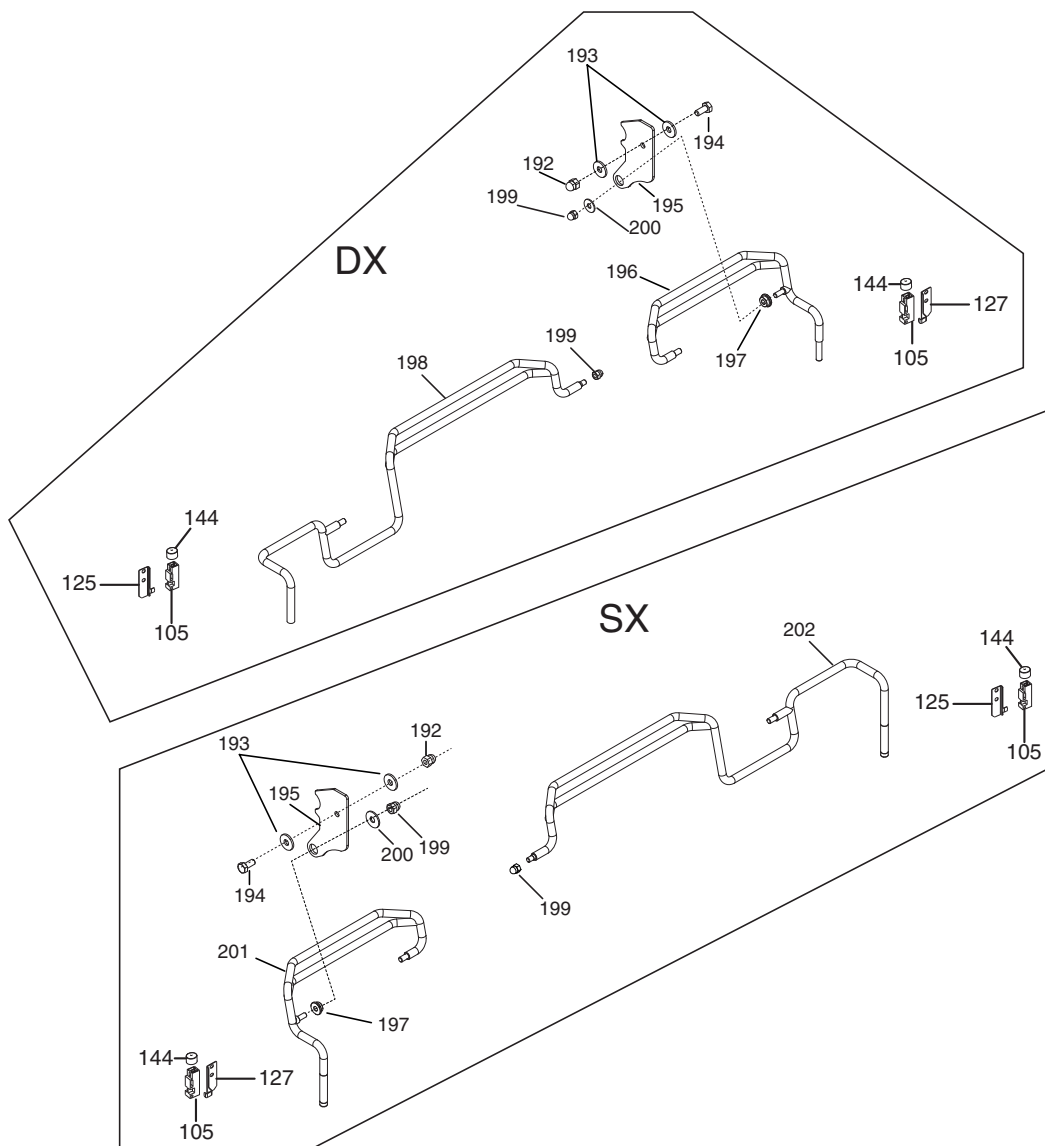
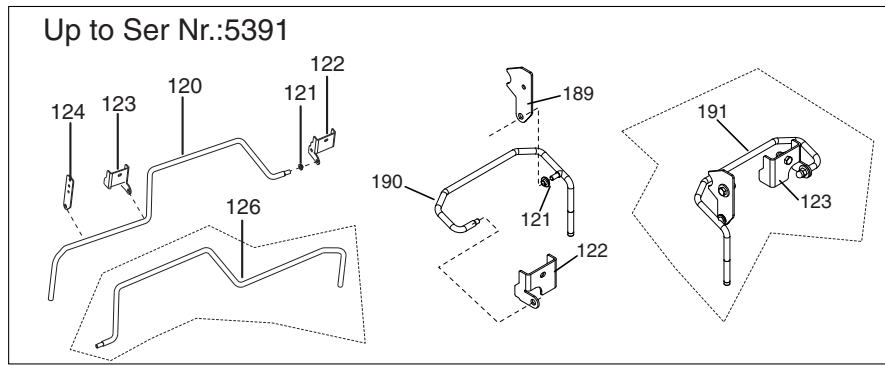
From Ser. nr.: 344

Rinse hydraulic circuit, Wash + Rinse for 44 inch module					iii. 59566FJ00p5 Bold Print = changes
Pos.	Q.ty	Spare Part Nr.	Manufacturing Part Nr.	Part description	Notes
103	4m	048531	140066039	Air gap inlet tube	
104	2	0L2402	569608800	Hot water inlet tube gasket	
105	2	0E5507	W00303700	Rinse arms nut	1/2in G X29mm
106	2	0L2631	830657N00	Rinse arm	
107	1	0L2518	5056A1J00	Lower rinse arm spring	
108	1	0L3155	5056A1P00	Upper rinse arm spring	
109	2	0L2306	543633W00	Rinse arm o-ring	17.3X 2.4mm
110	1	0L0652	511619800	Rinse arm "T" fitting	
111	1	0L0653	511619900	Rinse arm "L" fitting	
112	2	0L2551	518684F00	Hose clamp (stainless steel)	200-220mm
113	1	0L3629	850665700	Booster tank	
114	1	049863	569606600	Booster tank insulation	
115	2	049888	518613100	Hose clamp (stainless steel)	12-22mm
119		0L2045	544685B00	Hose suction rinse pump	
122	1	0L2516	696618500	Solenoid valve	
123	1	049358	5146A3500	Rinse-aid check valve	
125	1	0L0481	544634800	Rinse-aid hose	
126	2	0L3079	511621000	Chemical ring nut	M12x1.75
127	1	0L3157	218526205	Nut M12	
128	1	0L2683	543634C00	Rubber gasket	
129	1	0L3136	5066A2600	Flange	
130	1	0L3137	5146A6U00	Chemical hose barb for panel	
131	1	0E3080	W00502600	Brass hose connector	
135	2	0L0040	514692200	Hose barb	1/2in G
136	1	0L1351	514600200	Gate valve	
137	1	0L2047	830654T00	Rinse tube with nut	...200...AA - ...200...A - ...250...AA - ...250...A
138	1	0L2048	830654U00	Rinse tube with nut	...200...AA - ...200...A - ...250...AA - ...250...A
139	16	048126	518609801	Hose clamp	12-22mm
140	1	0L2205	657602600	Rinse water flowmeter	
143	1	0L3375	611638800	Rinse pump with connector adapter 50Hz	Up to ser 3014 ; ECRT... models
143	1	0L3371	611638800	Rinse pump 50Hz	From to ser 3114; ECRT.../NRT...models
143	1	0L3357	611638400	Rinse pump with connector adapter 60Hz	Up to ser 3014 ; NRT...6 models
143	1	0L3350	611638400	Rinse pump 60Hz	From to ser 3114 ; NRT...6 models
145	2	0L1892	544685800	Rinse check valve DVGW	
146	2	0L2362		Air trap assembly	Qty 2 in 44 inch machine, Qty 3 in 66 inch machine
146a	1	048308	542604901	Air trap	
146b	1	049268	544623800	Air trap nut	M14x1.5mm
146c	1	0L2305	543633X00	Air trap o-ring	2.62x15.54mm
149	1	0L3158	800675500	Air-Gap body	Up to Ser: 4501
149	1	0LXXXX	80065F900	Air-Gap body	From Ser: 4511
150	1	0L2044	509612601	Air-Gap support	Up to Ser: 4501
150	1	0LXXXX	830655Y00	Air-Gap support	From Ser: 4511
152	2	049201	543624401	Gasket	15.5x24x3mm

Rinse hydraulic circuit, Wash + Rinse for 44 inch module					ill. 59566FJ00p5 Bold Print = changes
Pos.	Q.ty	Spare Part Nr.	Manufacturing Part Nr.	Part description	Notes
153	1	0L3159	5066A2G00	Pressure sensor bracket	Up to Ser: 4501
153	1	0L3302	5056A2M01	Pressure sensor bracket	From Ser: 4511
154	2	0L0083	518613800	Hose clamp	9.3-9.9 mm
155	1	0L2845	673611M00	Pressure sensor	
156	1	049904	544633000	Air trap tube	Up to Ser: 4501
156	1	0L3088	544688D00	Air trap tube	From Ser: 4511
157	1	0L3376	611638700	ESD fan motor with connector adapter 50Hz	Up to ser.: 4301 ECRT200...AA - ECRT200...A - ECRT250...AA - ECRT250...A
157	1	0L3370	611638700	ESD fan motor 50Hz	From to ser.: 4311 ECRT200...AA - ECRT200...A - ECRT250...AA - ECRT250...A NRT200...AA - NRT250...AA
157	1	0L3358	611637W00	ESD fan motor with connector adapter 60Hz	Up to ser.: 4301 NRT200...AA6 - NRT200...A6 - NRT250...AA6 - NRT250...A6
157	1	0L2996	611637W00	ESD fan motor 60Hz	From to ser.: 4311 NRT200...AA6 - NRT200...A6 - NRT250...AA6 - NRT250...A6
158	1	0L0952	800668202	ESD fan motor support	Up to Ser: 5141 ECRT200...AA - ECRT200...A - ECRT250...AA - ECRT250...A
158	1	0L3569	541618H00	ESD fan motor support	From Ser: 5151
159	1	0L0941	549644900	ESD fan	ECRT200...AA - ECRT200...A - ECRT250...AA - ECRT250...A
160	1	0L1730	511620800	Water-air heat exchanger (ESD)	Up to Ser: 5141 ECRT200...AA - ECRT200...A - ECRT250...AA - ECRT250...A
160	1	0L3573	5116221200	Water-air heat exchanger (ESD)	From Ser: 5151
161	1	0L1727	5046A6B00	ESD tray suction side	Up to Ser: 5141
162	1	0L1729	830654H00	ESD suction manifold	Up to Ser: 5141
163	1	0L1728	800672400	ESD tray fan side	Up to Ser: 5141
164	1	0L0876	543631001	CU gasket	
165	1	0L3493	5146A8100	Plug	From Ser: 4511
166	1	0L2305	543633X00	OR 3062 3.62x15.54	From Ser: 4511
167	1	0H2610	W00525300	Hex nut 1/4"	From Ser: 4511
168	1	0L0689	140036014	ESD fan motor gasket	From Ser: 5151
169	1	0L3570	543635S00	Motor gasket	From Ser: 5151
170	1	0L3560	5046AB901	Top ESD cover	From Ser: 5151
171	1	0L3561	83065DD01	Back ESD cover	From Ser: 5151
172	1	0L3566	86065D600	ESD support	From Ser: 5151
173	1	0L3567	83065D800	Bracket for ESD support	From Ser: 5151
174	1	0L3568	83065D901	Support for ESD bracket	From Ser: 5151



II. 59566FJ00p6-01
Electrical components, Wash + Rinse for 44 inch module



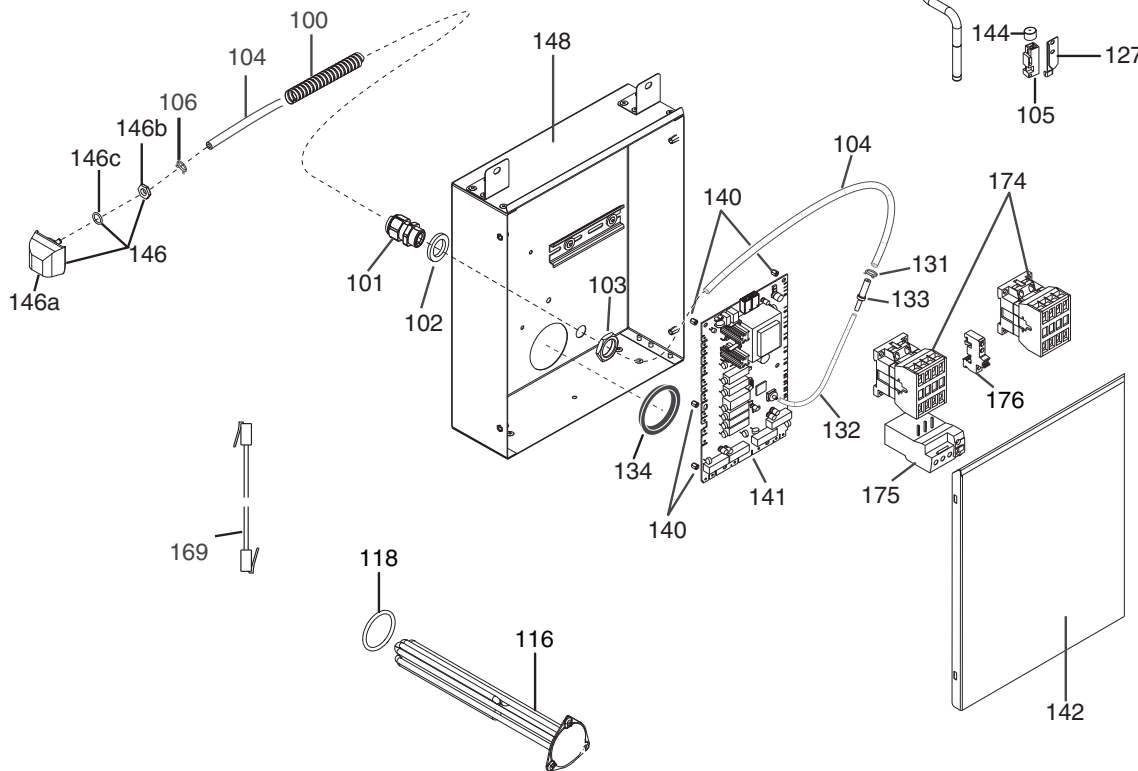
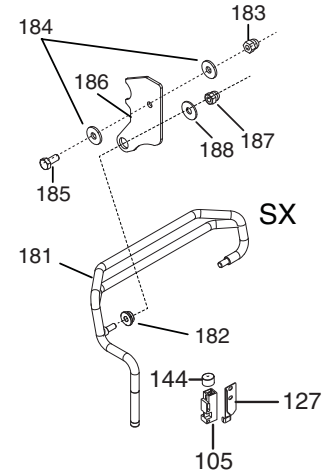
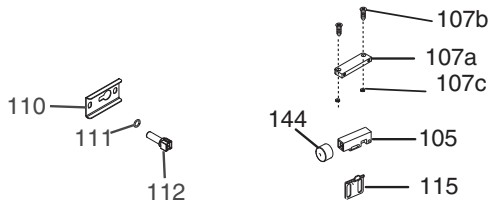
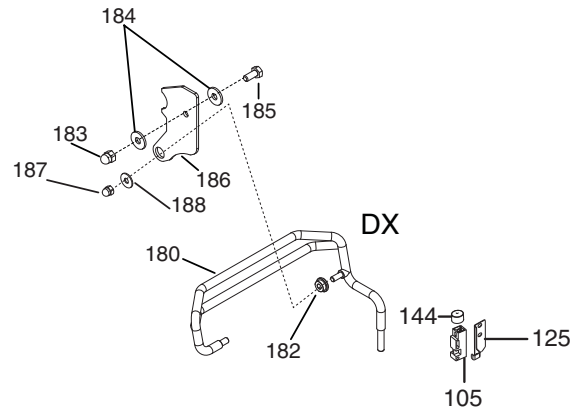
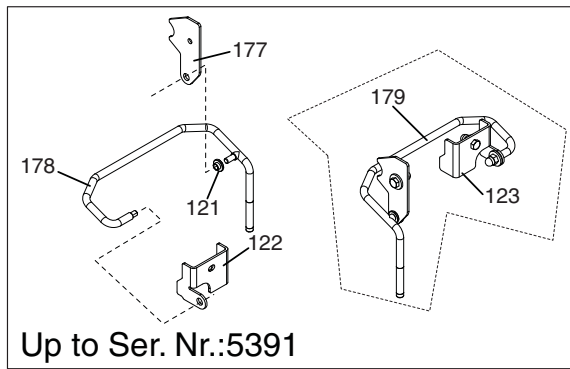
II. 59566FJ00p6-02
Electrical components, Wash + Rinse for 44 inch module

From Ser. nr.: 344

Electrical components, Wash+Rinse for 44 inch module					II. 59566FJ00p6-01 Bold Print = changes
Pos.	Q.ty	Spare Part Nr.	Manufacturing Part Nr.	Part description	Notes
100	5mt	0L3273	544687Y01	Conduit Hellerman (HG-SW13)	
101	1	0L3161	544687Z00	Cable-gland	PG9
102	1	0L3188	543635100	Gasket Cable-gland	
103	1	0L3162	544688500	Ring nut for cable-gland	
104	1	072393	W00537200	Pressure sensor hose	
105	3	049621	654600000	Reed sensor	Qty 2 for levers, Qty 1 for door
106	3	0L0083	518613800	Hose clamp	9.3-9.9 mm
107	1	0L2678	835621R01	Right wash lever assembly (107a/107b/107d/107e/107f)	For right to left machine, Qty 1 in 44 inch machine, Qty 2 in 66 inch machine
108	1	0L2679	835621S01	Left wash lever assembly (107a/107b/108d/107e/107f)	For left to right machine, Qty 1 in 44 inch machine, Qty 2 in 66 inch machine
107a	1	0L3315	805666N00	Magnet	
107b	2	0L3248	217521165	Screw	M3X16mm
107c	2	0L1869	218161500	Self-locking nut	M3
107f	2	0TH076	218573005	Cap nut	M5
107e	1	0L1449	514699000	Wash / rinse lever axle	
107d	1	0L2675	830658W00	Right wash lever	For right to left machine
108d	1	0L2676	830658X00	Left wash lever	For left to right machine
110	1	0L0366	507683800	Temperature probe bracket	For wash / prewash tank
111	2	0L2303	543633Z00	Temperature probe o-ring	9.25 X 1.78mm
112	2	0L2874	653600600	Temperature probe	
113	1	0L3163	5046AAT01	Inverter fan bracket	
114	1	0L2997	83065CW00	Inverter	Programmed version
115	2	0L3164	5026B7000	Reed sensor bracket	For wash section and door
116	1	0L3101	617633P01	Heating element (6.0 kW 230V)	Qty. 1 for wash tank for ECRT/NRT.....B
116	2-3	0L3165	617633Y00	Heating element (9.0 kW 230V)	Qty. 2 for wash tank for ECRT/NRT.....A Qty. 2 for booster tank for ECRT/NRT.....A Qty. 2 for booster tank for ECRT/NRT.....AA Qty. 3 for booster tank for ECRT/NRT.....B
116	1-2	0L3166	617633N01	Heating element (10.5 kW 230V)	Qty. 1 for wash tank for ECRT/NRT.....B Qty. 2 for wash tank for ECRT/NRT....AA
118	4-5	0L2304	543633Y00	Heating element o-ring (56.52X5.33mm)	Qty. 4 for ECRT/NRT...A and ECRT/NRT...AA Qty. 5 for ECRT/NRT.....B
119	1	0L0280	514693100	Temperature probe nut	For the booster tank
120	1	0L3333	83065DF00	Right rinse lever	Up to Ser Nr.: 5391
121	1	0L3171	5146A6S00	Bush for rinse lever	Up to Ser Nr.: 5391
122	1	0L3385	50361BX00	Left bracket for rinse lever	Up to Ser Nr.: 5391
123	1	0L3386	50361BY00	Right bracket for rinse lever	Up to Ser Nr.: 5391
124	1	0L3387	5066A2R00	Support for rinse lever	Up to Ser Nr.: 5391
125	1	0L3175	5066A2J01	Right support for reed sensor	
126	1	0L3334	83065DG00	Left rinse lever	Up to Ser Nr.: 5391
127	1	0L3176	5066A2K01	Left support for reed sensor	
128	1	0L2276	518684700	Heating element bridge	Qty. 12 for ...200...A-...200...AA Qty. 15 for ...200...B-...T250...A-ECRT250...AA Qty. 18 for ECRT250...B
130	1	0L2175	549646500	Cooling fan motor	
131	1	0L0082	518613000	Hose clamp	7.3-7.8mm
132	1	0L1577	544630001	Silicon hose	O.D. 4mm
133	1	0L1283	544683400	Reduction for silicon hose	

Electrical components, Wash+Rinse for 44 inch module					II. 59566FJ00p6-01 Bold Print = changes
Pos.	Q.ty	Spare Part Nr.	Manufacturing Part Nr.	Part description	Notes
134	1	0L3177	639735400	Snap bushing SB 2.5-31	I.D. 50mm
135	1	0L3178	543635800	Snap bushing SB3.5-47	I.D. 74mm
136	1	0L2325	543613800	Snap bushing SB875-11	I.D. 50mm
138	6	0L2470	218522005	Nut	M4 (Set of 10 pcs)
139	12	0L2471	206002109	Washer	4.1X8X0.5mm (Set of 10 pcs)
140	12	088653	516807900	PCB spacer	
141	1	0L3014	673611Z02	MEC Board	Same as prewash MEC board)
142	1	0L3167	5026B7701	Wash electrical box cover	
144	3	0L3352	541618B00	Protective cap Ø17,4X25mm	
146	2	0L2362		Air trap assembly	Qty 2 in 44 inch machine, Qty 3 in 66 inch machine
146a	1	048308	542604901	Air trap	
146b	1	049268	544623800	Air trap nut	M14x1.5mm
146c	1	0L2305	543633X00	Air trap o-ring	2.62x15.54mm
148	1	0L3168	850665201	Wah electrical box assembly	
152	1	0L3169	5046AAZ00	Transformer bracket	
153	1	0L2998	624606C00	Transformer 230/24V 240VA 50/60HZ	
154	1	0L2683	543634C00	Female electrical connector gasket	
155	1	0L2682	699605F00	Female electrical connector	
156	1	0L2684	699605D00	Male electrical connector	
157	1	0L2585	541617N00	Protective cap Ø25,4X25mm	
160	1	0L3103	805666A02	User interface PCB	ECRT..... models
160	1	0L3388	805666R00	User interface PCB	NRT.../NRT...6 models
161	1	0L1593	639628800	Varistor end section	
162	1	0L2293	639629Q00	End section fuse terminal	
163	2	0L2294	639629P00	Fuse holder	
164	1	0L1296	639628700	Varistor terminal block (VDR)	
165	4	0L1295	652608200	Fuse 5X20 10A T 250 Vac	For main terminal block
167	1	0L2572	639629T00	Main terminal block	Three pole, 600V
168	2	0L1011	639627600	Ground terminal block	Green-Yellow colour
169	1	0L3152	63868C200	Communication cable	
170	1	0L2713	646619800	Phase sequence monitoring relay	
171	1	0L2218	541617800	User interface cover	
172	1	0L3179	639629X00	Neutral terminal block	Blue colour
173	2	0L3008	648615C00	Contacto K3-32A00 24V	
174	3	0L0360	648612901	Contacto k3-14ND10 24V	
175	1	0E5878	W00535501	Thermal overload relay U12/16E	2.7 - 4A
176	4	0L3081	63962AY00	End clamp	
177	2	0L2019	639629800	End bracket	
178	2	0L3190	63962BA00	Terminal block	Black colour
179	3	0L3191	63962BC00	Partition plate	
180	2	0L3192	63962B900	Terminal block	Grey colour
181	1	0L3193	63962BB00	End cover for terminal block	Grey colour
182	2	0L1028	639627300	Single pole clamping terminal block	
183	3	0L3194	63962AS00	Double levels terminal block	Green-Yellow colour
184	4	0L3195	63962AT00	Double levels terminal block	Blue colour
185	3	0L3196	63962AU00	Double levels terminal block	Grey-Black colour
186	2	0L3197	63962B000	Double levels terminal block without internal bridge	Grey colour

Electrical components, Wash+Rinse for 44 inch module					II. 59566FJ00p6-01
					Bold Print = changes
Pos.	Q.ty	Spare Part Nr.	Manufacturing Part Nr.	Part description	Notes
187	1	0L3198	63962AX00	Plug-In bridge (3-pins)	
188	1	0L3199	63962AW00	Plug-In bridge (2-pins)	
189	1	0L3389	5066A2Q00	Autostart lever support	Up to Ser Nr.: 5391
190	1	0L3332	83065AT00	Autostart lever	For 44" right machine
191	1	0L3331	83065AS00	Autostart lever	Up to Ser Nr.: 5391 For 44" left machine
192	1	034496	218574105	Inox M6 blind nut	Up to Ser Nr.: 5391
193	2	0L0146	206004405	Inox washer 6.6x18mm	From Ser Nr.: 5401
194	1	0TH052	217014145	Inox hex screw 6x14mm	From Ser Nr.: 5401
195	1	0L3506	5066A2Z00	Autostart lever support	From Ser Nr.: 5401
196	1	0L3508	83065DY00	Autostart lever - For 44" right machine	From Ser Nr.: 5401
197	1	0L3507	5146A8500	Bushing for Autostart lever	From Ser Nr.: 5401
198	1	0L3511	83065F100	Left autorinse lever	From Ser Nr.: 5401
199	1	0TH076	218573005	Inox M5 blind nut	From Ser Nr.: 5401
200	1	0TH039	206003405	Inox washer 5.3x15	From Ser Nr.: 5401
201	1	0L3509	83065DZ00	Autostart lever - For 44" left machine	From Ser Nr.: 5401
202	1	0L3510	83065F000	Right autorinse lever	From Ser Nr.: 5401



iii. 59566FJ00p7
Electrical components, Prewash for 22 inch module

Electrical components, Prewash for 22 inch module					ill. 59566FJ00p7 Bold Print = changes
Pos.	Q.ty	Spare Part Nr.	Manufacturing Part Nr.	Part description	Notes
101	1	0L3161	544687Z00	Cable-gland	PG9
102	1	0L3188	543635100	Gasket Cable-gland	
103	1	0L3162	544688500	Ring nut for cable-gland	
104	1	072393	W00537200	Pressure sensor hose	
105	3	049621	654600000	Reed sensor	Qty 2 for levers, Qty 1 for door
106	3	0L0083	518613800	Hose clamp	9.3-9.9 mm
107	1	0L2678	835621R01	Right wash lever assembly (107a/107b/107d/107e/107f)	For right to left machine, Qty 1 in 44 inch machine, Qty 2 in 66 inch machine
108	1	0L2679	835621S01	Left wash lever assembly (107a/107b/108d/107e/107f)	For left to right machine, Qty 1 in 44 inch machine, Qty 2 in 66 inch machine
107a	1	0L2534	699605900	Magnet	
107b	2	0L2673	217751105	Self tapping screws for magnet	3X10 mm (Set of 10 pcs)
107f	2	0TH076	218573005	Cap nut	M5
107e	1	0L1449	514699000	Wash / rinse lever axle	
107d	1	0L2675	830658W00	Right wash lever	For right to left machine
108d	1	0L2676	830658X00	Left wash lever	For left to right machine
110	1	0L0366	507683800	Temperature probe bracket	For wash / prewash tank
111	1	0L2303	543633Z00	Temperature probe o-ring	9.25 X 1.78mm
112	1	0L2874	653600600	Temperature probe	
115	2	0L3164	5026B7000	Reed sensor bracket	For wash section and door
116	1	0L3166	617633N01	Heating element (10.5 kW 230V)	For prewash tank for ECRT/NRT250....
118	1	0L2304	543633Y00	Heating element o-ring (56.52X5.33mm)	For prewash tank for ECRT/NRT250....
121	1	0L3171	5146A6S00	Bush for rinse lever	
122	1	0L3385	50361BX00	Left bracket for rinse lever	
123	1	0L3386	50361BY00	Right bracket for rinse lever	
125	1	0L3175	5066A2J01	Right support for reed sensor	
127	1	0L3176	5066A2K01	Left support for reed sensor	
131	1	0L0082	518613000	Hose clamp	7.3-7.8mm
132	1	0L1577	544630001	Silicon hose	O.D. 4mm
133	1	0L1283	544683400	Reduction for silicon hose	
134	1	0L3177	639735400	Snap bushing SB 2.5-31	I.D. 50mm
140	6	088653	516807900	PCB spacer	
141	1	0L3014	673611Z02	MEC Board	Same as wash MEC board
142	1	0L3180	541618002	Pre-wash electrical box cover	
144	1	0L3352	541618B00	Protective cap Ø17,4X25mm	
148	1	0L3181	850664W02	Pre-wash electrical box assembly	
169	1	0L3152	63868C200	Communication cable	
174	2	0L0360	648612901	Contactora k3-14ND10 24V	
175	1	0E5672	W00535200	Thermal overload relay U12/16E	0.8 - 1.2A
176	1	0L3081	63962AY00	End clamp	
177	1	0L3387	5066A2R00	Support for rinse lever	
178	1	0L3372	83065DM00	Autostart lever - For 66" right machine	Up to Ser. Nr.: 5391
179	1	0L3373	83065DN00	Autostart lever - For 66" left machine	Up to Ser. Nr.: 5391
180	1	0L3512	83065FT01	Autostart lever - For 66" right machine	From Ser. Nr.: 5401
181	1	0L3513	83065FU01	Autostart lever - For 66" left machine	From Ser. Nr.: 5401
182	1	0L3507	5146A8500	Bushing for autostart lever	From Ser. Nr.: 5401

Electrical components, Prewash for 22 inch module					ill. 59566FJ00p7 Bold Print = changes
Pos.	Q.ty	Spare Part Nr.	Manufacturing Part Nr.	Part description	Notes
183	1	034496	218574105	Inox M6 blind nut	From Ser Nr.: 5401
184	2	0L0146	206004405	Inox washer 6.6x18mm	From Ser Nr.: 5401
185	1	0TH052	217014145	Inox hex screw 6x14mm	From Ser Nr.: 5401
186	1	0L3506	5066A2Z00	Autostart lever support	From Ser Nr.: 5401
187	1	0TH076	218573005	Inox M5 blind nut	From Ser Nr.: 5401
188	1	0TH039	206003405	Inox washer 5.3x15	From Ser Nr.: 5401