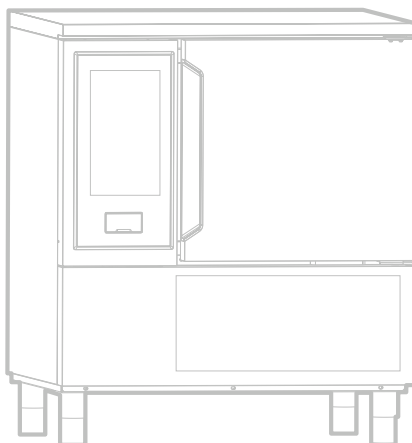


BLAST CHILLER- FREEZER ABBATTITORI CONGELATORI

SKCH 6GN 1_1

| Type Reference | Ref | Page | Description | note |
|-----------------|-----|---------|------------------------------|------|
| SKCH30B | a | 3_4_6_9 | BCF 30KG 380V BUILT IN 50 HZ | EU |
| SKCH30R | b | 3_4_7_9 | BCF 30KG 380V REMOTO 50/60HZ | EU |
| SKCHU30B | c | 3_4_6_9 | BCF 30KG 208V BUILT IN 60 HZ | USA |



Index

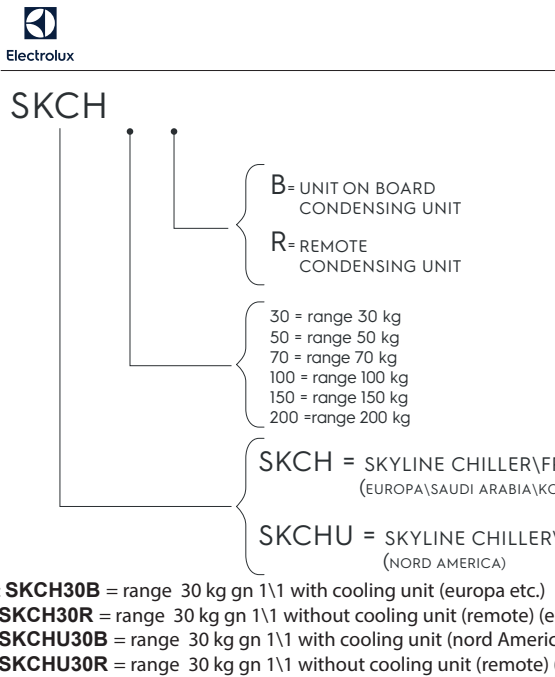
| | Page |
|---|---------|
| Descriptions type ref/Descrizione el Type refence | 2 |
| Exploded view internal components/ Vista esplosa componenti interni | 3 |
| Exploded view Doors/ Vista esplosa porte | 4 |
| Exploded view cooling unit/ Vista esplosa gruppo refrigerante | 5 |
| Exploded view cooling unit remote/ Vista esplosa gruppo refrigerante remoto | 6 |
| Control panel/pannello comandi | 7 |
| Spare part list/Lista ricambi | 9 to 11 |
| Maintenance kit/Kit di manutenzione | 12 |

Bold=last change / Grassetto =ultima modifica
* on demand= su richiesta

Rev. 5

How to put in relation the “Type Ref.” reported on the data plate with the “Type reference” reported on the front page of the Spare Part Catalogue:

The “Type Ref.” represents a group of models/brands all with similar technical features, hence possible to be reported under the same scheme in terms of exploded views.



Find below an identification example: SKCH30B

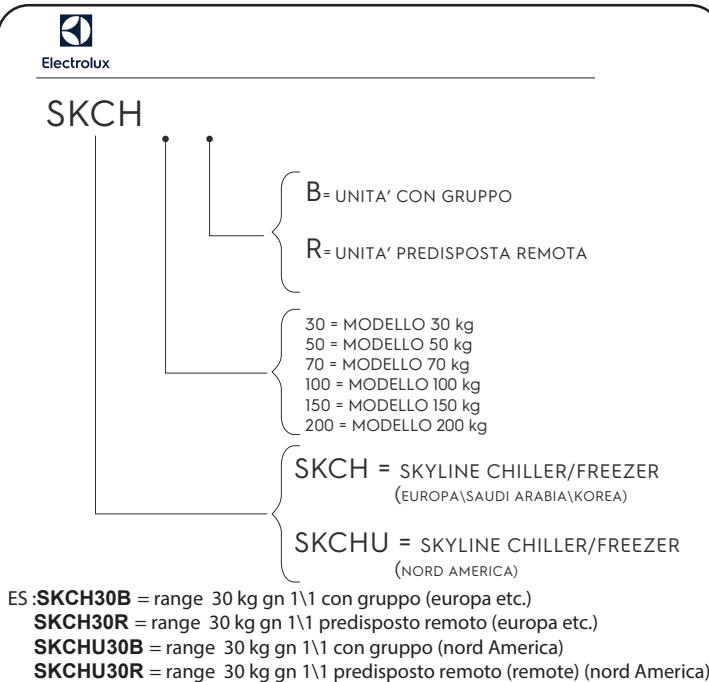
| | | | |
|---|---------------------------|-------------------|-----------------|
| F.Mod. PNC 9VTX..... | Comm.Model Ser.Nr..... | Type Ref. SKCH30B | 2019 |
| W.Tot. kW | Volt..... Hz..... | Cyclopentane | Total Current A |
| Evaporation Heater El. kW | Class x | GWP | CO2-eq t |
| Lighting W | Cap. Refrigerant | | Kg |
| Defrost Power kW | Heating power kW | | |
| NF nominal Charge | | | |
| Rated Pressure Mpa | | CE | WEEE |
| IPX4 | | | |
| Electrolux Professional SPA - Viale Treviso, 15 - 33170 Pordenone (Italy) | | | |

For the right spare code identification follow the steps:

1. Type in the website the PNC reported on the data plate.
2. The website will automatically display this spare part catalogue.
3. The spare part code at this point is referenced through the “Type reference” as from the front page by the relevant “Ref”.

Come mettere in relazione il “Type Ref.” Riportato sulla targhetta caratteristica con il “Type reference” riportato sul frontespizio del catalogo ricambi:

Il “Type Ref.” Rappresenta un gruppo di modelli/marchi con simili caratteristiche tecniche, ossia possibili da rappresentare con il medesimo schema in termini di vista esplosa.

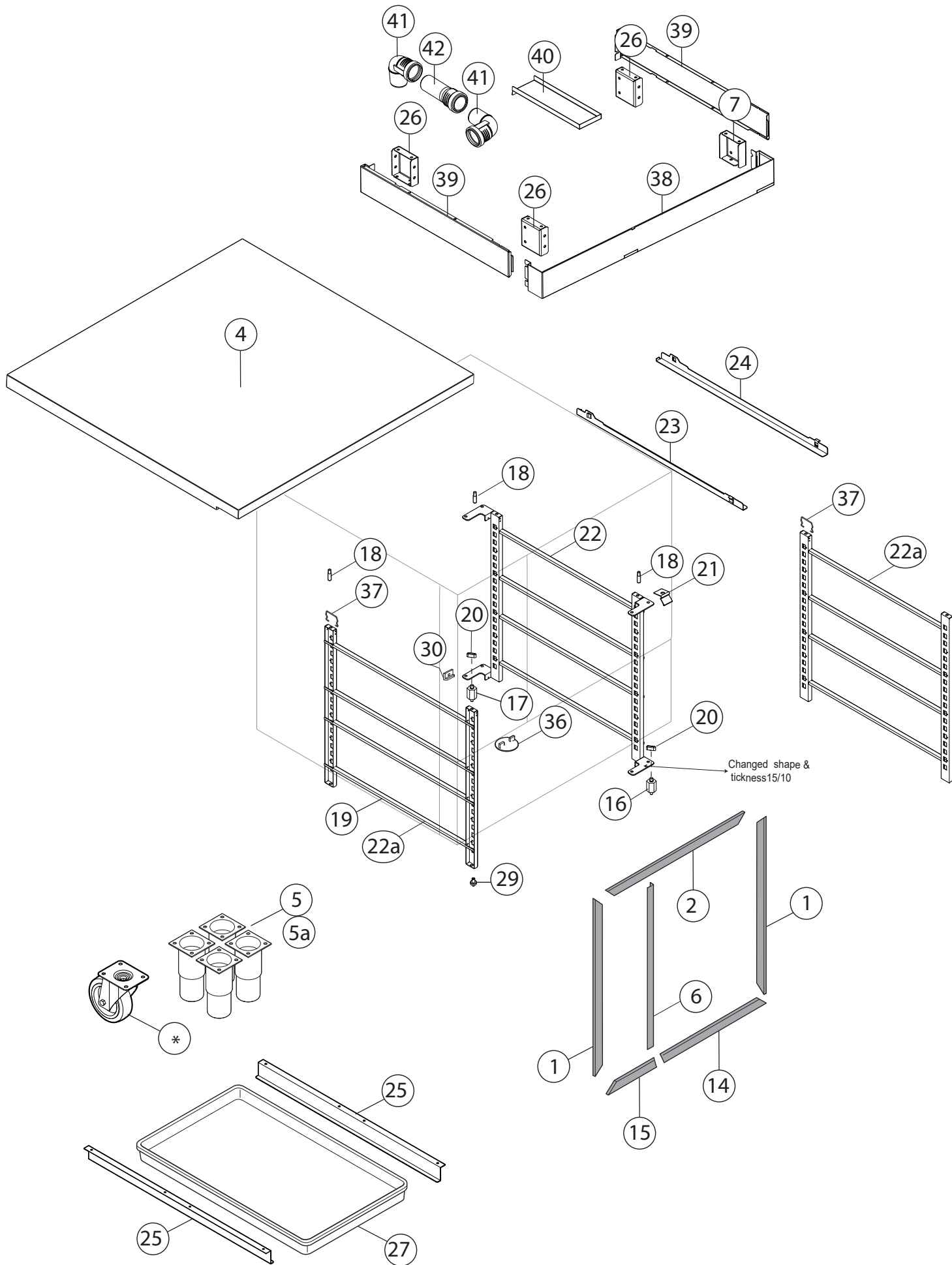


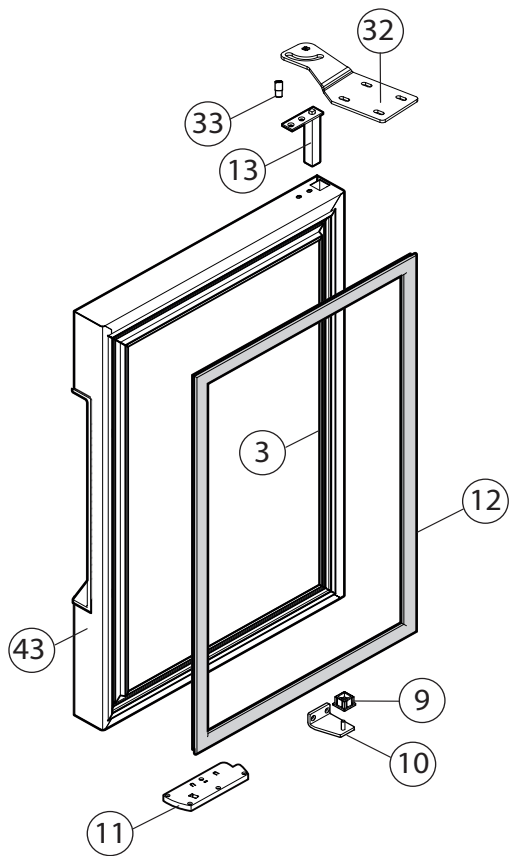
Qui di seguito un esempio di identificazione: SKCH30B

| | | | |
|---|---------------------------|-------------------|-----------------|
| F.Mod. PNC 9VTX..... | Comm.Model Ser.Nr..... | Type Ref. SKCH30B | 2019 |
| W.Tot. kW | Volt..... Hz..... | Cyclopentane | Total Current A |
| Evaporation Heater El. kW | Class x | GWP | CO2-eq t |
| Lighting W | Cap. Refrigerant | | Kg |
| Defrost Power kW | Heating power kW | | |
| NF nominal Charge | | | |
| Rated Pressure Mpa | | CE | WEEE |
| IPX4 | | | |
| Electrolux Professional SPA - Viale Treviso, 15 - 33170 Pordenone (Italy) | | | |

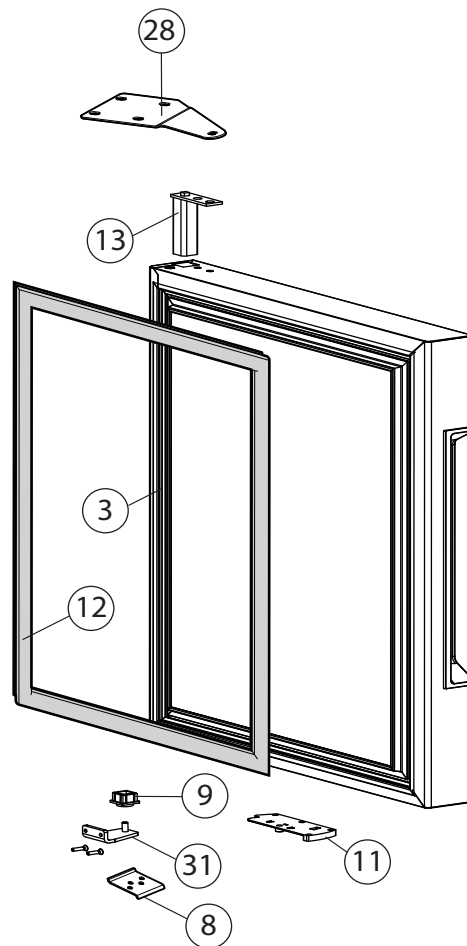
Per identificare il corretto codice ricambio procedere con:

1. Digitare nel website il PNC riportato sulla targhetta caratteristica.
2. Il website mostrerà automaticamente questo catalogo ricambi.
3. A questo punto, il codice ricambio è identificabile attraverso il “Type reference” come indicato nel frontespizio sotto la relativa voce “Ref”.



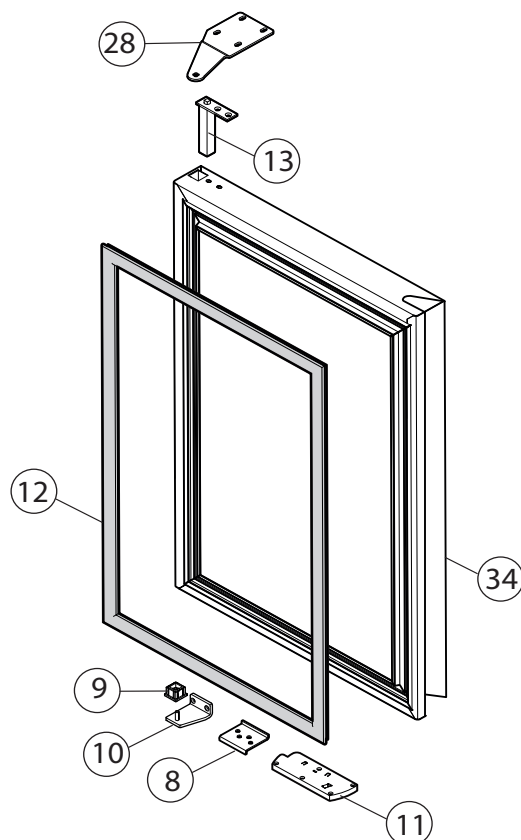


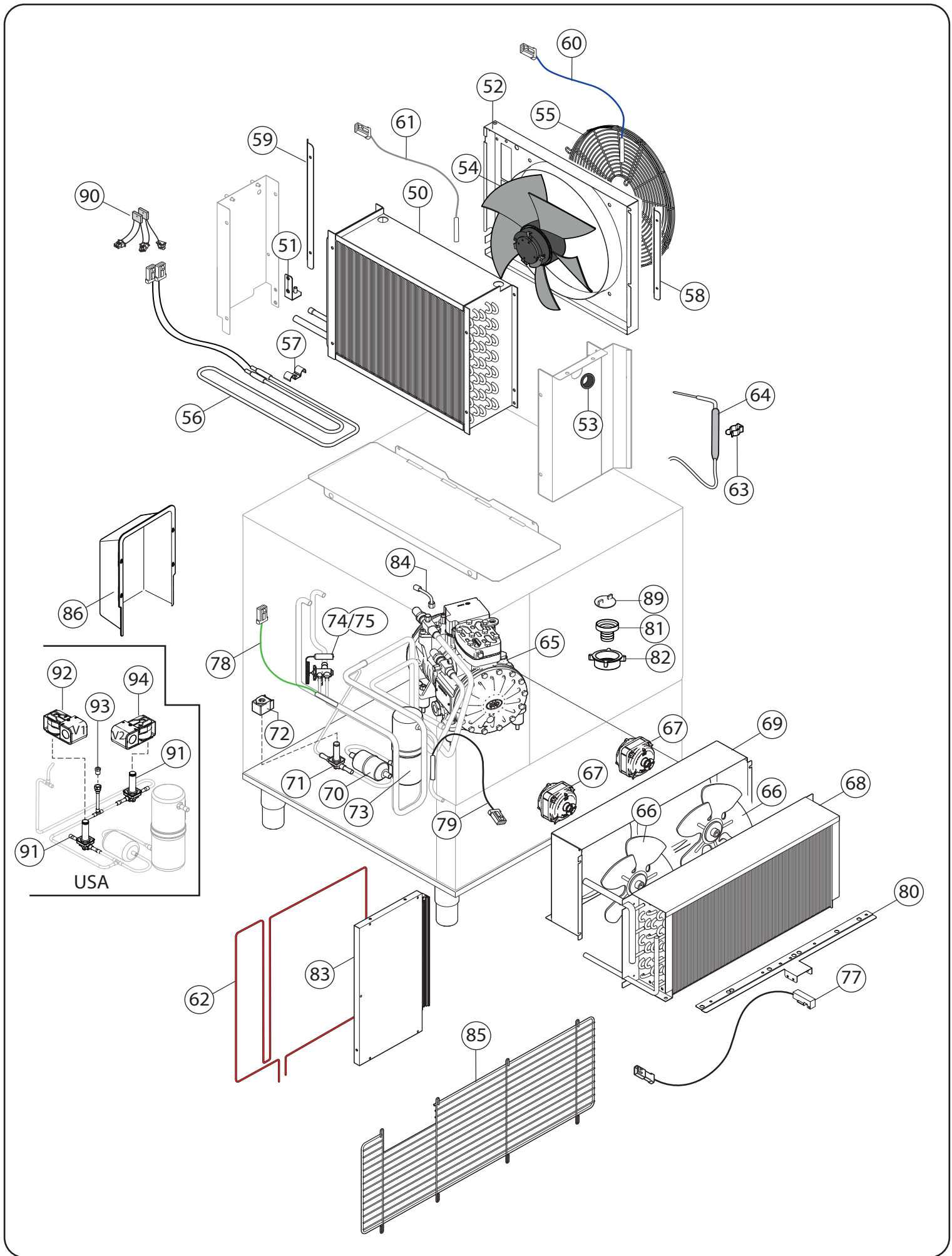
DOOR ELUX LEFT

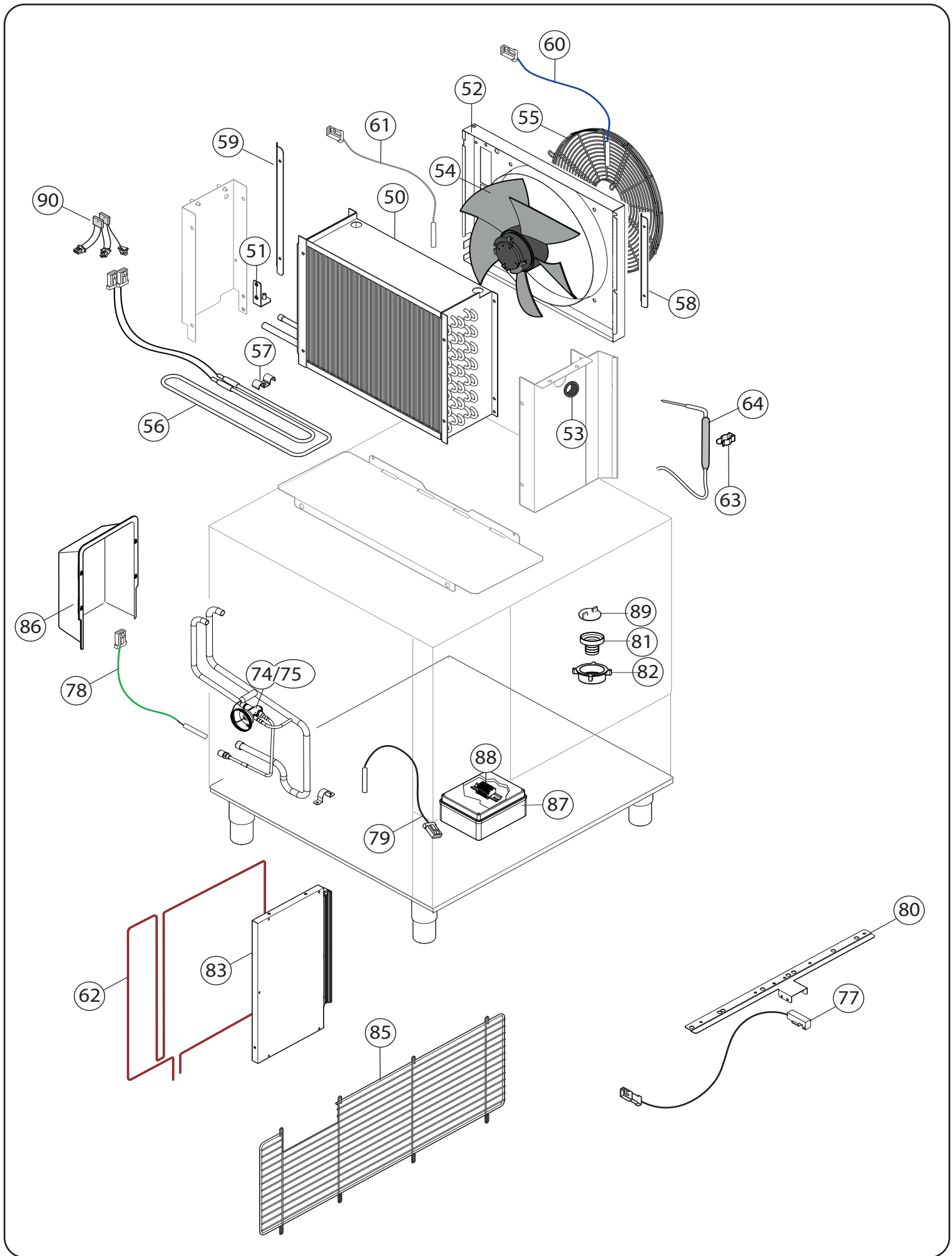


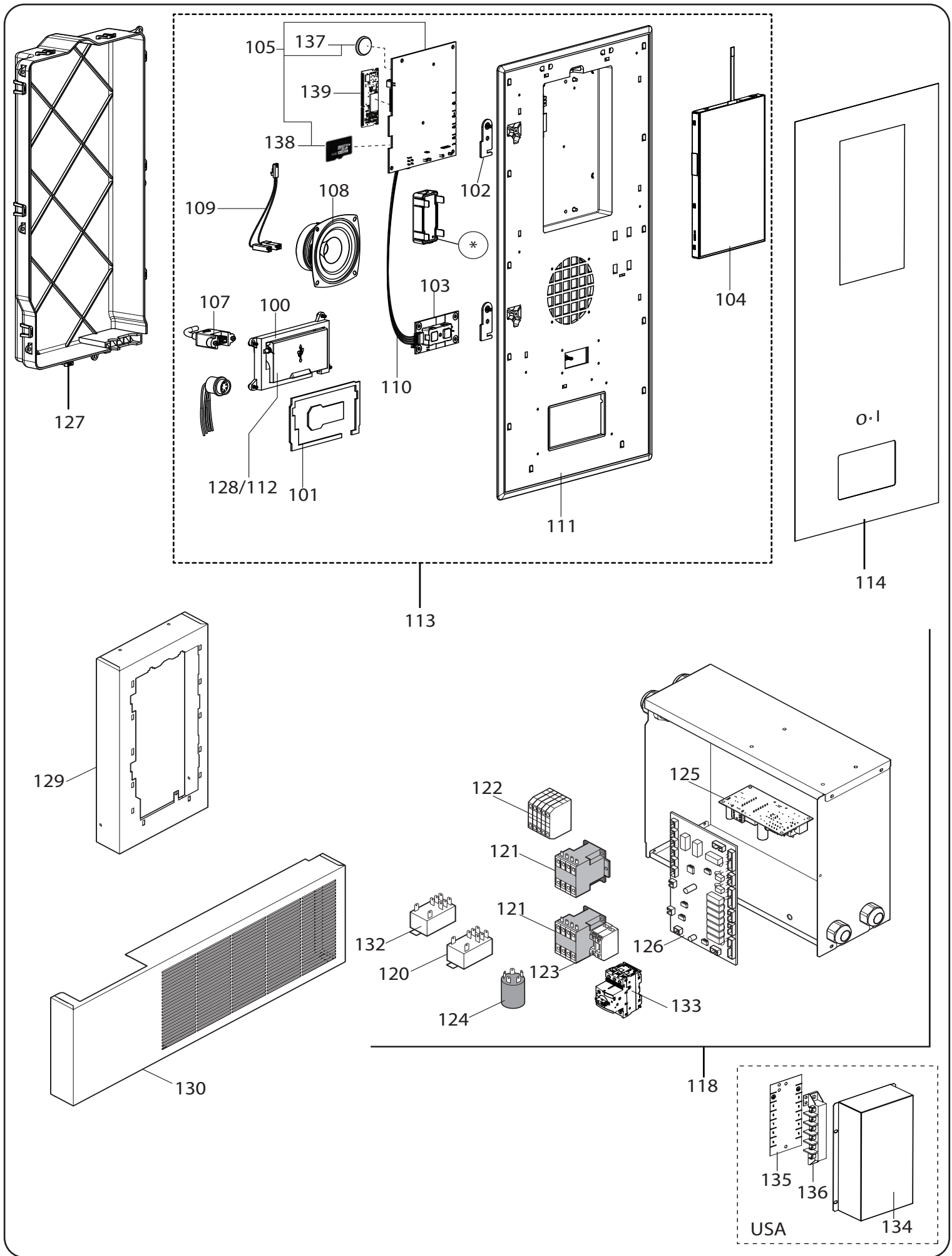
DOOR ELUX RIGHT

DOOR apx/zan RIGHT









| Pos | Code | Factory code | Description | Descrizione | Ref/notes |
|-----|------------------|-------------------|---|--|---|
| 1 | 095982 | 0543R20101 | ASSEMBLY COVER WITH MAGNET - V | CORNICE VERTICALE | up to week 44 2019 - 451 mm |
| 1 | 096434 | 0543R24101 | ASSEMBLY COVER WITH MAGNET - V | CORNICE VERTICALE (left and right) | from week 45 2019 - 451 mm |
| 2 | 096065 | 0543R23600 | ASSEMBLY COVER WITH MAGNET - H | CORNICE ORIZZONTALE SUP. | up to week 44 2019 - 775 mm |
| 2 | 096433 | 0543R23800 | ASSEMBLY COVER WITH MAGNET - H | CORNICE ORIZZONTALE SUP. | from week 45 2019 - 775 mm |
| 3 | 095918 | 0835R59603 | DOOR FOAMED RIGHT ELUX BCF30 | PORTA SCHIUMATA DX 30 kg | ELUX RIGHT |
| 3 | | 0835R63701 | DOOR FOAMED LEFT ELUX BCF30 | PORTA SCHIUMATA SX 30 kg | ELUX LEFT |
| * | | 0882R15404 | DOOR MOD DX ELUX | MODULO PORTA DESTRA | ELUX RIGHT |
| * | 096102 | 0882R44301 | DOOR MOD DX ZAN/APX/TO BRAND | MODULO PORTA DESTRA | ZAN/APX/TO BRAND RIGHT |
| * | 096098 | 0882R11401 | DOOR MOD SX ELUX | MODULO PORTA SINISTRA | ELUX LEFT |
| * | | 0882R44200 | DOOR MOD SX ZAN/APX/TO BRAND | MODULO PORTA SINISTRA | ZAN/APX/TO BRAND LEFT |
| 4 | 095927 | 0882R16200 | TOP MODULE BCF30 JJ | TOP | |
| 5 | 095926 | 0882R01200 | KIT MOD FEET H150 BCF (With screws) | KIT PIEDINI CON VITI | a,b |
| 5 | 096243 | 0883R09200 | KIT MOD FEET H150 BCF (With screws) | KIT PIEDINI CON VITI | c |
| 5a | 048579 | 0855631900 | FEET H150/200 | PIEDINO H150/200 | a,b |
| 5a | 096236 | 0833R48700 | FEET H150/200 USA | PIEDINO H150/200 USA | c |
| 6 | 096458 | 0543R20500 | ASSEMBLY COVER WITH MAGNET - V P | CORNICE VERTICALE PANNELLO SCH. | up to week 44 2019 - 449 mm |
| 6 | 096441 | 0543R24800 | ASSEMBLY COVER WITH MAGNET - V P | CORNICE VERTICALE PANNELLO SCH. | from week 45 2019 - 450 mm |
| 7 | 096051 | 0505R28200 | SIDE HINGE SUPPORT FOR H100 | LATO CERNIERA SUPPORTO FORNO | |
| 8 | 092917 | 0510789200 | LOWER DOOR SUPPORT | PIASTRINA INF.PORTA | |
| 9 | 081654 | 0544700601 | LOWER DOOR BUSH | BOCCOLA X 1/2P INFERIORE | |
| 10 | 095959 | 0505R26602 | LEFT LOWER HINGE | CERNIERA INFERIORE SX | |
| 11 | 099909 | 0835R03800 | PLATE DOOR OPEN | ASS. DISP. BLOCCO PORTA APERTA | |
| 12 | 095985 | 0548R13300 | DOOR MAGNETIC GASKET BCF30 | GUARNIZIONE PORTA | |
| 13 | 083876 | 0835714501 | UPPER HINGE DOOR | CERNIERA CON MOLLA PERNO RIB. | |
| 14 | on demand | 0543R21700 | ASSEMBLY COVER WITH MAGNET - H | CORNICE ORIZZONTALE INF. LUNGA | up to week 44 2019 - 547 mm |
| 14 | on demand | 0543R23900 | ASSEMBLY COVER WITH MAGNET - H | CORNICE ORIZZONTALE INF. LUNGA | from week 45 2019 - 547 mm |
| 15 | 096064 | 0543R21600 | ASSEMBLY COVER WITH MAGNET - H | CORNICE ORIZZONTALE INF. CORTA | up to week 44 2019 - 228 mm |
| 15 | on demand | 0543R24000 | ASSEMBLY COVER WITH MAGNET - H | CORNICE ORIZZONTALE INF. CORTA | from week 45 2019 - 228 mm |
| 16 | 093935 | 0514R13301 | FRONT RACK SUPPORT | SUPPORTO GUIDE ANT. BCF | |
| 17 | 093936 | 0514R13401 | BACK RACK SUPPORT | SUPPORTO GUIDE POST. BCF LW | |
| 18 | 089970 | 0518713900 | PIN FOR RACK | PERNO PER CARTER M6 BCF | |
| 19 | on demand | 0833R50200 | RACK SUPPORT ASSEMBLY (LEFT) 15/10 | ASS. ASS. STRUTTURA 30KG SX 15/10 | Replace code 096036 - Upgrade sturdiness |
| 20 | 093939 | 0530R04700 | LOCK NUT FOR RACK | CHIAVETTA DI SERRAGGIO | |
| 21 | 096450 | 0514R29400 | SPRING FOR RACK | MOLLA BLOCCO CREMAGLIERE | |
| 22 | on demand | 0833R50100 | RACK SUPPORT ASSEMBLY (RIGHT) 15/10 without slide only holes | ASS. STRUTTURA DX senza sede di scorrimento solo fori | Replace code 095931 - Upgrade sturdiness |
| 22a | 096551 | 833R47001 | RACK SUPPORT ASSEMBLY (left and right) 15/10 | ASS. STRUTTURA DX & SX 15/10 | Unit from Week 29 2020 not retrofit |
| 23 | 096548 | 505R08L00 | LEFT GUIDE FOR RACK 15/10 | GUIDA BCF 30-50KG SX 15/10 | Replace code 093862 - Upgrade sturdiness |
| 24 | 096547 | 505R08K00 | RIGHT GUIDE FOR RACK 15/10 | GUIDA BCF 30-50KG DX 15/10 | Replace code 093861 - Upgrade sturdiness |
| 25 | 089977 | 0510774302 | BASIN GUIDE | GUIDA PER BACINELLA EST | |
| 26 | 096052 | 0505R28300 | SUPPORT FOR BCF 30 TOWER H100 | SUPPORTO PER FORNO | |
| 27 | 080803 | 0242452410 | BLACK CONDESATE BASIN | BACINELLA RACC.COND.NERO | |
| 28 | 096053 | 0505R29500 | UPPER HINGE DOOR | CERNIERA SUP.X ABB. SX | |
| 29 | 095977 | 0518R09300 | LOWER PIN FOR BCF JJ STRUCTURE | PERNO INFERIORE STRUTTURA | |
| 30 | 093938 | 0546R29300 | RACK SUPPORT | APPOGGIO PER CREMAGLIERE | |
| 31 | 095960 | 0505R26702 | RIGHT LOWER HINGE BCF30 JJ | CERNIERA INFERIORE DX | |
| 32 | 096040 | 0503R50400 | LEFT UPPER HINGE WITH STOPPER | CERNIERA SUPERIORE SX | |
| 33 | 096056 | 0514R28000 | STUD FOR DOOR STOP BCF JJ | PERNO PER FERMO PORTA SUP | |

| Pos | Code | Factory code | Description | Descrizione | Ref/notes |
|-----|--------|--------------|------------------------------------|-----------------------------------|--------------|
| 34 | 096102 | 0882R44301 | DOOR LEFT ZAN/APX ASS.Y | ASS. PORTA SX APX/ZAN | APX/ZAN LEFT |
| 36 | 096325 | 0835R72301 | DISCHARGE PLUG DEVICE | ASS. TAPPO SCARICO CELLA JJ | |
| 37 | 095966 | 0514R28700 | LOCKING SPRING BCF JJ | MOLLA PE STRUTTURA SX | |
| 38 | 096046 | 0503R94300 | FRONT PANEL STAKING KIT BCF30 | PANNELLO FRONTALE | |
| 39 | 096047 | 0503R94400 | LATERAL SIDE PANEL STAKING KIT | PANNELLO LATERALE | |
| 40 | 096045 | 0503R94200 | WATER DISCHARGE COLLECTOR | BACINELLA DI SCARICO FORNO | |
| 41 | 096057 | 0515404U00 | ELBOW DRAIN PIPE | CURVA DIA 50 90° - PP | |
| 42 | 096035 | 0544402200 | RIGHT DRAIN PIPE | TUBO DIA 50 L150 - PP | |
| 43 | 096098 | 0882R11400 | DOOR ELUX LEFT ASS.Y | ASS. PORTA SX | ELUX LEFT |
| 50 | 095913 | 0830R14201 | FINNED COIL EVAPORAT. BCF 30 KG | EVAPORATORE | |
| 51 | 095958 | 0505R13900 | CARTER SUPPORT | STAFFA CARTER 30KG | |
| 52 | 096042 | 0503R90402 | CARTER FAN | CARTER VENTILATORI X BCF 30KG | |
| 53 | 082096 | 0639704600 | HOSE CLAMP Hole 17.5 mm | PASSACAVO_ FORO 17.5mm | |
| 54 | 096011 | 0682R11801 | CAVITY FAN Ø350 | VENTILATORE CELLA Ø350 EU | a,b |
| 54 | 096333 | 0682R13000 | CAVITY FAN Ø350 200/240 V 50/60 hz | VENTILATORE CELLA Ø350 usa | c |
| 55 | 095963 | 0514R26701 | PROTECTION FAN_GRID DIAM.380 | PROTEZ. VENTILATORE DIAM.380 | a,b |
| 55 | 096424 | 0514R29901 | PROTEC. FAN_GRID DIAM.380 AISI | PROTEZ. VENTILATORE DIAM.380 AISI | c |
| 56 | 095930 | 0856R35501 | HEATING ELEMENT - EVAPORATOR | RESISTENZA EVAPORATORE 800W | a,b |
| 56 | 096334 | 0856R36400 | HEATING ELEMENT - EVAP. 208V UL | RESISTENZA EVAP. 208V 800W UL | c |
| 57 | 048429 | 0506675402 | FIXING HEATING ELEMENT | SQUADR.FISS.RESIST. | |
| 58 | 096062 | 0504R06001 | FRONT AIRFLOW DIFFUSER | DIFFUSORE ARIA FRONTALE | |
| 59 | 095955 | 0503R76203 | REAR AIRFLOW DIFFUSER | DIFFUSORE ARIA POSTERIORE | |
| 60 | 096003 | 0646R19002 | CELL PROBE "BLUE" | SONDA 6X20 BLU 'CELL' | a,b |
| 60 | 096335 | 0646R22400 | CELL PROBE "BLUE" UL USA | SONDA 6X20 BLU 'CELL' UL USA | c |
| 61 | 096004 | 0646R19102 | EVAPORATOR PROBE "GREY" | SONDA 6X40 EVAP | a,b |
| 61 | 096336 | 0646R22500 | EVAPORATOR PROBE "GREY" UL USA | SONDA 6X40 EVAP UL USA | c |
| 62 | 095990 | 0617R18301 | HEATING ELEMENT CABLE L=3165MM | RESISTENZA CORNICE PORTA | a,b |
| 62 | 096337 | 0617R18600 | HEATING ELEMENT CABLE L=3165MM | RESISTENZA CORNICE PORTA UL | c |
| 63 | 091800 | 0639730101 | HOOK FRO MEET PROBE | GANCIO IN AISI 304 | |
| 64 | 096007 | 0646R19402 | MEET PROBE 3 SENSOR | SPILLONE CONICO 3 PUNTI | a,b |
| 64 | 096338 | 0646R22800 | MEET PROBE 3 SENSOR UL usa | SPILLONE CONICO 3 PUNTI UL | c |
| 65 | 088473 | 0684723501 | COMP. DORIN H181CS | COMP. DORIN H181CS | a |
| 65 | 096237 | 0684R13900 | COMP DORIN H181CCK/UL 208 | COMP DORIN H181CCK/UL 208 | c |
| 66 | 094955 | 0511R01900 | CONDENSER FAN | VENTOLA ASPIRANTE ALLUM. 254X31 | a,c |
| 67 | 096012 | 0682R12401 | CONDENSER MOTOR FAN | VENTILATORE 230-240V/50-60 HZ | a |
| 67 | 096459 | 0805R00F00 | CONDENSER MOTOR FAN USA UL | VENTILATORE 208-60 HZ UL | c |
| 68 | 095912 | 0830R14103 | FINNED COIL CONDENSER | CONDENSATORE | a,c |
| 69 | 095948 | 0503R49303 | CONDENSER CONVEYOR | CONVOGLIATORE CONDENSATORE | a |
| 69 | 096238 | 0504R12500 | CONDENSER CONVEYOR usa | CONVOGLIATORE CONDENSATORE | c |
| 70 | 088201 | 0646725601 | FILTRO GAS DML052 | FILTRO DCL083S 10MM | a,c |
| 71 | 088030 | 0646746400 | EVR 6 BODY SOLENOID VALVE | CORPO VALV. EVR 6 | a |
| 72 | 085847 | 0646729100 | EVR 6 COIL SOLENOID VALVE | BOB.CLIP ZB15 PARKER EVR6 | a |
| 73 | 087758 | 0805749401 | TANIC RECEIVER | RICEVITORE DI LIQ. A SALD. 0,88 L | a,c |
| 74 | 088475 | 0646754601 | EXPANSION VALVE R452/404A/448a | TUBE,RANGE NL,-40/-15,MOP-10 OR.6 | a,b,c |
| 75 | 095939 | 011008R010 | INSULATION FOR THERMOS. VALVE | ISOLAMENTO VALVOLA TERMOSTAT. | Diam. 15 |
| 75 | 095938 | 0110067003 | INSULATION FOR THERMOS. VALVE | ISOLAMENTO VALVOLA TERMOSTAT. | Diam. 35 |
| 77 | 096002 | 0640R04101 | DOOR MICRO SWITCH | MICROINTERR. PORTA | |
| 78 | 096005 | 0646R19201 | SUCTION PROBE "GREEN" | SONDA ASPIRAZIONE VERDE | a,b |
| 78 | 096339 | 0646R22600 | SUCTION PROBE "GREEN" UL USA | SONDA ASPIRAZIONE VERDE | c |
| 79 | 096006 | 0646R19301 | CONDENSER PROBE "BLACK" | SONDA CONDENSATORE NERA | |
| 80 | 096041 | 0503R73502 | SUPPORT FOR MICROINT. STEM E511 | SUPPORTO MICRO PORTA | |
| 81 | 094256 | 0546R26200 | RUBBER SUPPORT | PORTAGOMMA | |

| Pos | Code | Factory code | Description | Descrizione | Ref/notes |
|-----|------------------------|--------------|----------------------------------|-------------------------------------|-------------------------|
| 82 | 094257 | 0546R26900 | NUT 1'1/2 | GHIERA 1'1/2 | |
| 83 | 095917 | 0835R59205 | FOAMED PANEL BCF 30 JJ | PANNELLO SCHIUMATO | |
| 84 | 096034 | 0525710600 | SERVICE VALVE PIPE | TUBO CON VALVOLA DI RICARICA | |
| 85 | 095964 | 0514R26804 | REAR PROTECTIVE GRID BCF50 JJ | GRIGLIA POSTERIORE | a,b |
| 85 | 096239 | 0514R30300 | REAR PROTECTIVE GRID BCF50 JJ | GRIGLIA POSTERIORE | c |
| 86 | 095961 | 0505R29302 | SPACER PROTECTION | DISTANZIALE POSTERIORE BCF LW | a,b |
| 86 | 096240 | 0505R30900 | SPACER PROTECTION | DISTANZIALE POSTERIORE BCF LW | c |
| 87 | 096068 | 0639R19700 | ELECTRICAL BOX CONNECTION REM. | SCATOLA GEWISS GW44276 IP56 | b |
| 88 | 096071 | 0639R20000 | CLAMP TO CONNECTION REM | MORSETTIERA SCATOLA REMOTA JJ | b |
| 89 | 096325 | 0835R72301 | DISCHARGE PLUG DEVICE | ASS. TAPPO SCARICO CELLA JJ | |
| 90 | 096340 | 0652R02800 | SAFETY THERMOSTAT +93°C | TERMOFUSIBILE 93° C UL | |
| 91 | 087960 | 0646750300 | EVR 6 BODY SOLENOID VALVE | CORPO VALVOLA EVR3- UL-CSA | c |
| 92 | 096423 | 0856R38101 | EVR 6 COIL SOLENOID VALVE EL V1 | BOBINA PER VALVOLA SOLEN. | c White connector color |
| 93 | 099869 | 0646765300 | SAFETY PLUG UL USA | TAPPO FUSIBILE UL 1/8' | c |
| 94 | 096241 | 0830R02A01 | EVR 6 COIL SOLENOID VALVE EL V2 | BOBINA PER VALVOLA SOLEN. | c Red connector color |
| * | 096171 | 0147300900 | AMERICAN CANVAS TAPE M50XMM48 | NASTRO TELA PLAST. M50XMM48 | |
| * | 095768 | 0147017034 | PIVILENE INSULATION TAPE; 50X3SP | NASTRO 3M389 NERO (MM19 X 50MT) | |
| 100 | 0CK030 | 0546400U01 | DRAWER USB SUPPORT | CKM SEDE USB | |
| 101 | 0CK031 | 0543401P02 | GASKET DRAWER USB SUPPORT | GUARNIZIONE SEDE USB | |
| 102 | 0CK432 | 0506405M00 | PANEL HOOK | GANCIO PANNELLO | |
| 103 | 0CK033 | 0675401G00 | ON/OFF BOARD | SCHEDA ON/OFF | |
| 104 | 0CK034 | 0673400900 | DISPLAY JDI 7" | DISPLAY JDI 7" TP RESISTIVO | |
| 105 | 0CK036 | 0675401J01 | BRIDGE BOARD | SCHEDA CONNESSIONE DISPLAY | |
| 107 | 0C9603 | 0638F00800 | WIRING USB | CAVO USB | |
| 108 | 0CK039 | 0655400000 | SPEAKER VISATON | ALTOPARLANTE | |
| 109 | 0CK330 | 0675401L00 | WIRING SPEAKER | CAVETTO CONNESSIONE SPEAKER | |
| 110 | 0CK045 | 0675401Q00 | WIRING ON/OFF BOARD | CAVETTO ON-OFF TOUCH | |
| 111 | 0CK040 | 0543401N01 | PLASTIC FRAME TOUCH | PANNELLO IN PLASTICA | |
| 112 | 0CK041 | 0546400V01 | USB COVER | SPORTELLINO USB ELUX | |
| 113 | 0CK080 | 0830409103 | ASS. TOUCH UI ELUX | PANNELLO COMPLETO UI | |
| 114 | 095934 | 0755R13901 | ADHESIVE DECOR A ELUX TOUCH | MEMBRANA ADESIVE ELUX | order also N° 111 |
| 114 | 095935 | 0755R16101 | ADHESIVE DECOR A ZAN TOUCH | MEMBRANA ADESIVE ZAN | order also N° 111 |
| 114 | 096058 | 0541401V01 | ADHESIVE DECOR TO BRAND | MEMBRANA ADESIVE TO BRAND | order also N° 111 |
| 114 | 095936 | 0755R16201 | ADHESIVE DECOR ALPEN | MEMBRANA ADESIVE APX | order also N° 111 |
| 118 | 096078 | 0882R15204 | ELECTRICAL BOX COMPLETE built in | SCATOLA ELETTRICA COMPLETA | a |
| 118 | 096081 | 0882R72002 | ELECTRICAL BOX COMPLETE rem | SCATOLA ELETTRICA COMPLETA | b |
| 118 | | 0883R10901 | ELECTRICAL BOX COMPLETE built in | SCATOLA ELETTRICA COMPLETA | c |
| 120 | 093848 | 0648R06300 | RELAY | RELE' FINDER | |
| 121 | 088477 | 0648807300 | CONTACTOR | CONTATTORE K3-10N 230V 50/60HZ | a |
| 121 | 099090 | 0648729200 | CONTACTOR (COIL 200-240/60) | CONTATTORE K3-10N (COIL 200-240/60) | c |
| 122 | 096067 | 0639R18001 | MAIN TERMINAL BLOCK | BLOCCHETTI DI CONNESSIONE ELET. | a |
| 122 | 096341 | 0639R22500 | MAIN TERMINAL BLOCK UL | BLOCCHETTI DI CONNESSIONE ELET. | c |
| 123 | 095933 | 0652R02400 | GLASS FUSE 10A T 5X20 | FUSIBILE IN VETRO 10A T 5X20 | |
| 124 | 084987 | 0694700800 | FILTRO PROCOND | FILTRO R.F.I. | |
| 125 | 095639 | 0648R10000 | POWER SUPPLY 12V 30W | SCHEDA DI POTENZA 12V 30W | a,b |
| 125 | 096342 | 0648R11400 | POWER SUPPLY 12V/100W UL | SCHEDA DI POTENZA 12V/100W UL | c |
| 126 | 096010 | 0648R08602 | ACU PETRA BCF | SCHEDA PRINCIPALE "PETRA" | |
| 127 | 0CK161 | 0541401D01 | PROTECTION COMAND PANEL | PROTEZIONE PANNELLO COMANDI | |
| 128 | 0CK032 | 0514405001 | SPRING FOR DRAWER USB | MOLLA PER SPORTELLINO | |
| 129 | 095946 | 0503R48403 | CONTROL PANEL BCF30 JJ | PANNELLO DI CONTROLLO | |
| 130 | 095950 | 0503R55503 | CONDENSER PANEL BCF30 JJ ELUX | PANNELLO CONDENSATORE | ELUX |

| Pos | Code | Factory code | Description | Descrizione | Ref/notes |
|-----|--------|--------------|------------------------------------|-----------------------------------|------------------|
| 130 | 096043 | 0503R91001 | CONDENSER PANEL BCF30 ZAN/APX/ | PANNELLO CONDENSATORE | ZAN/APX TO BRAND |
| 132 | 006610 | 0648806900 | RELE'62.838.230.0009+ATT.BARRA DIN | RELE' CONNESSIONE REMOTA | b |
| 133 | 091707 | 0640R00700 | SAFETY PROTECTION MOTOR | SALVAMOT. ABB MS116-16 (10...16A) | c |
| 134 | 096443 | 0505R31400 | TERMINAL BLOCK COVER | COPERTURA MORSETTIERA | c |
| 135 | 096330 | 0548793500 | TERMINAL BLOCK PLATE | TARGHETTA MORSETTIERA 6 POLI | c |
| 136 | 088165 | 0639726600 | TERMINAL BLOCK | MORSETTIERA | c |
| 137 | | | BATTERY CR2032 V3 LITIO | BATTERIA MODELLO CR 2032 V3 LITIO | |
| 138 | | | MICRO SD 4G 4HC | MICRO SD 4G 4HC | |
| 139 | 0CK035 | 0675401H00 | CORE BOARD DAVE | TOUCH | |
| | | | | | |
| | | | | | |

BLAST CHILLER FREEZER
KIT DI MANUTENZIONE – MAINTENANCE KIT

CHILL^S 30 KG

| Spare Part Code KIT | Description KIT | Spare Part Code | Spare Part Q.ty | Spare part Description | Descrizione Spare part | Ref./ Note |
|--|--------------------------|-----------------|-----------------|-------------------------------|---|------------|
| KIT DI MANUTENZIONE - MAINTENANCE KIT | | | | | | |
| 096166 | SKL BCF 30 PM KIT | | | | | |
| | | 095985 | 1 | DOOR MAGNETIC GASKET BCF30 | GUARNIZIONE PORTA | |
| | | 095939 | 2mt | INSULATION FOR THERMOS. VALVE | ISOLAMENTO VALVOLA TERMOSTAT. | Diam. 15 |
| | | 095938 | 2mt | INSULATION FOR THERMOS. VALVE | ISOLAMENTO VALVOLA TERMOSTAT. | Diam. 35 |
| | | 095989 | 1mt | COIBENTATION PIPES | TUBO ANTICOND. GREY DIAM.16-36 | |
| | | 095165 | 1 | CLIP OBO 255/3,2 OBO 255.3.2 | FERMACAVO OBO 255/3,2 OBO 255.3.2 | |
| | | 096156 | 3 | SCREW 4,8X70/60 DIN 6928 | VITE AUTOFIL. TE FLANG. ZINCATA 4,8X70/60 DIN 6928 | |