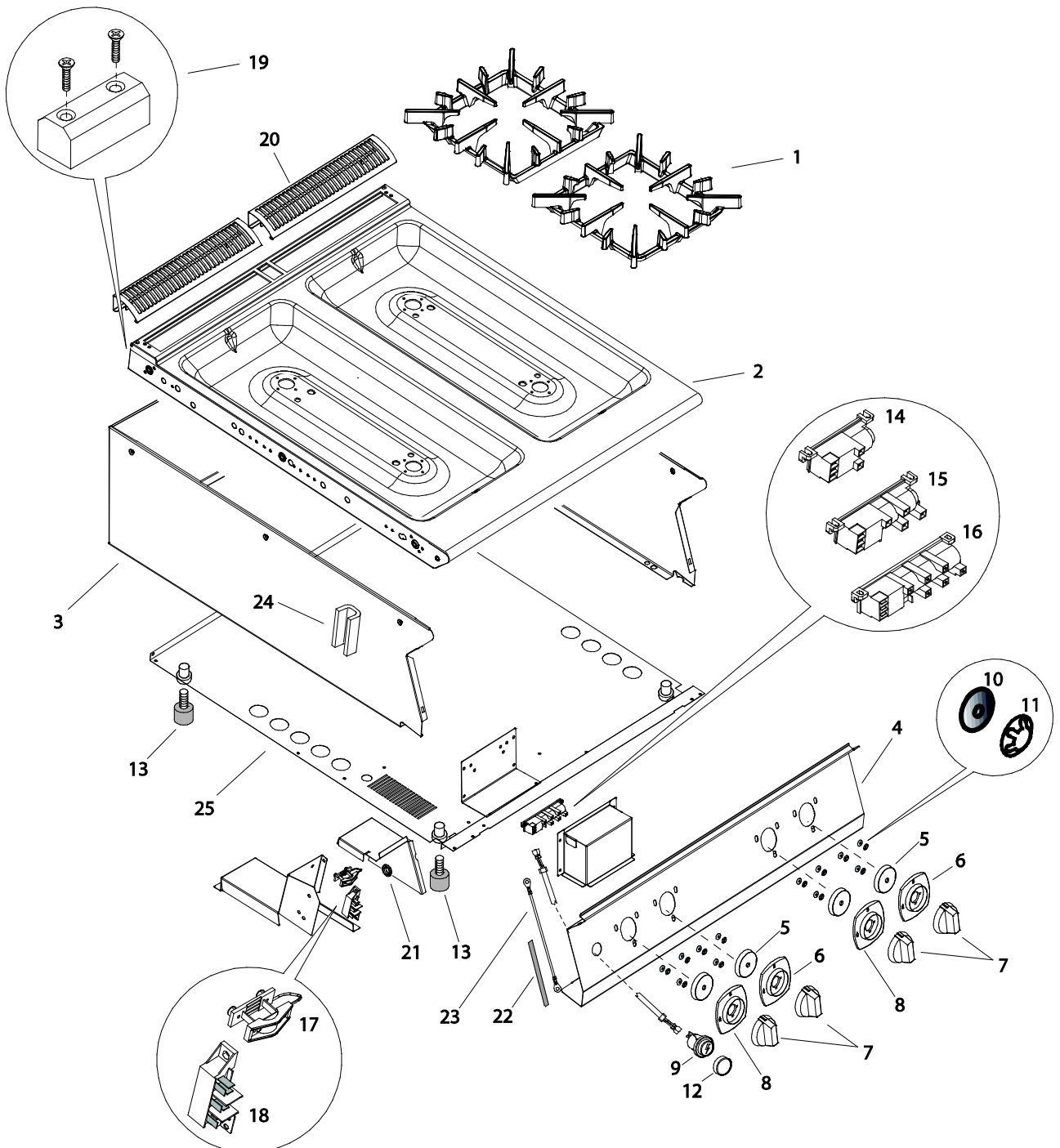
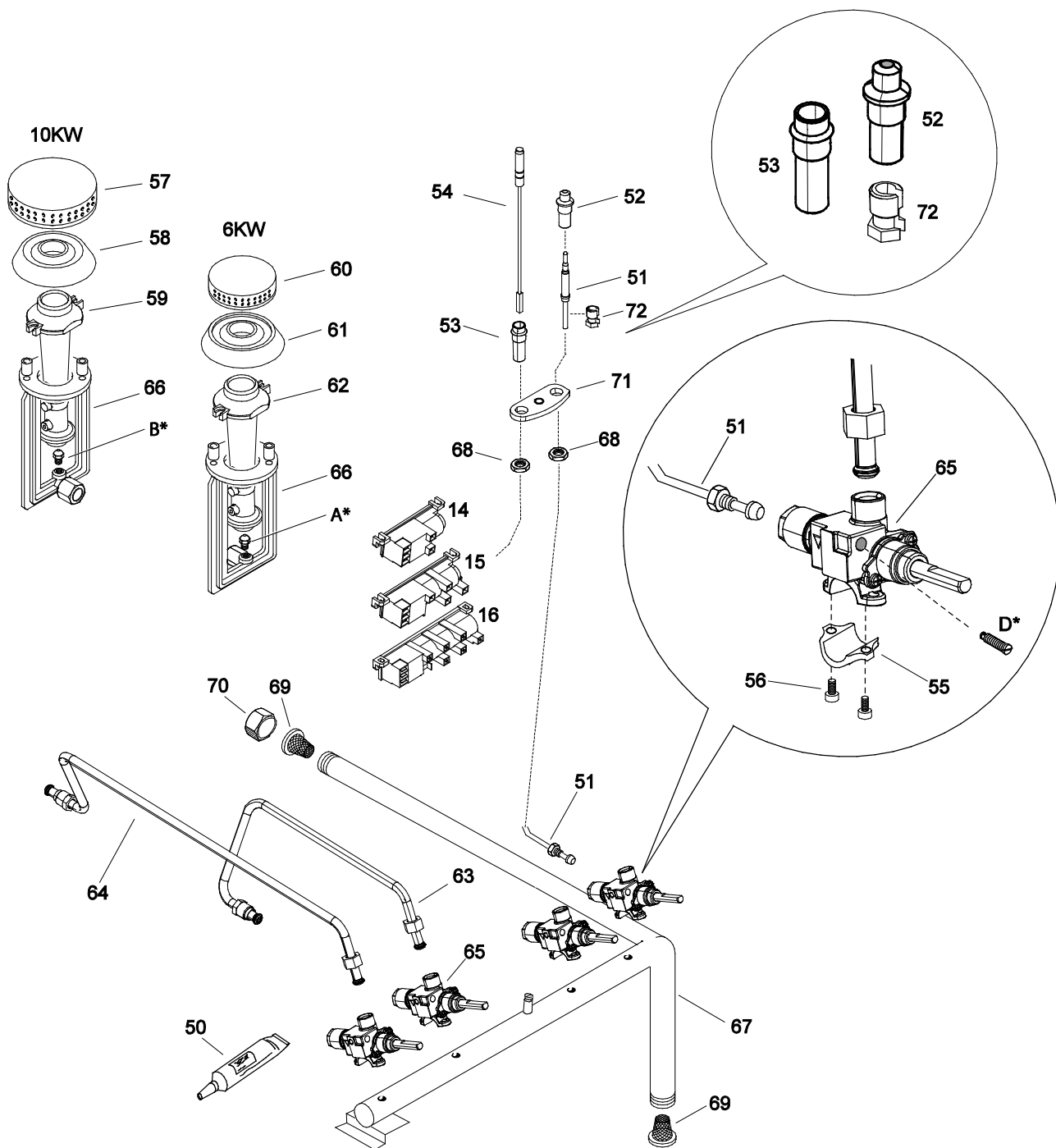


PNC	Model	Ref	Pag.	Brand	Burner	Notes
391240	E9GCGDTC00	a	2,3	Elx	2 (6KW)	TOP 400
391241	E9GCGDTCOM	b	2,3	Elx	2 (10KW)	TOP 400
391242	E9GCGHTC00	c	2,3	Elx	4 (1x10KW 3x6KW)	TOP 800
391243	E9GCGHTCOM	d	2,3	Elx	4 (10KW)	TOP 800
391251	E9GCGLTC00	e	2,3	Elx	6 (2x10KW 4x6KW)	TOP 1200
391252	E9GCGLTCOM	f	2,3	Elx	6 (10KW)	TOP 1200

Pag	Index	Indice	Note
2	Top components	Componenti Top	
3	Gas & elet. Components	Componenti gas ed elettrici	
4	Gas nozzels	Ugelli gas	
5,6	Spare parts list	Lista ricambi	





A – D. NOZZELS / UGELLI - BURNER Ø60mm / 6 KW

Gas	Nomina l Press. Mbar	Ref.	A - Ugello bruciatore / Burner nozzle ø	D - Vite di minimo / Min screw MM	Factory code	Spare part Code	NOTE
G30 STD	30	3+3B/P	1,25		A05158000	0A2101	
				0,55	835808400	004260	
G30 PL	37	3B/P	1,20		A05661500	0A2650	
				0,55	835808400	004260	
G30 DE-AT	50	3B/P	1,10		516867500	0C0147	
				0,50	335243200	*	
G20 STD	20	2H;2E+	1,95		516866900	0C0141	
				0,80	835807400	056743	
G20 HU	25	2H	1,85		A05176400	*	
				0,80	835807400	056743	
G25 NL	25	2L	2,05		516867000	0C0142	
				0,80	835807400	056743	
G25 DE	20	2ELL	2,20		516867100	0C0143	
				0,80	835807400	056743	
G25.1 HU	25	2S	1,85 / 2,25		516876700	0C7942	
				0,80	835807400	056743	
G 110	8	1a	3,60		516890700	0C6357	Max Power 5,5 kW
				ADJUST	/		
G 120	8	1b	3,30		516890800	0C3658	Max Power 5,5 kW
				ADJUST	/		

B - D. NOZZELS / UGELLI - BURNER Ø100mm / 10 KW

Gas	Nominal Press. Mbar	Ref.	B - Ugello bruciatore / Burner nozzle ø	D - Vite di minimo / Min screw MM	Factory code	Spare part Code	NOTE
G30 STD	30	3+3B/P	1,60		A05157700	0A2089	
				0,75	835839300	003213	
G30 PL	37	3B/P	1,50		A05661600	059384	
				0,70	835804200	002947	
G30 DE-AT	50	3B/P	1,45		516867600	0C0148	
				0,65	835815200	058266	
G20 STD	20	2H;2E+	2,60		516867200	0C0144	
				1,05	835825100	002992	
G20 HU	25	2H	2,15 / 2,60		516876500	0C4154	
				1,05	835825100	002992	
G25 NL	25	2L	2,65		516867300	0C0145	
				1,05	835825100	002992	
G25 DE	20	2ELL	2,75		516867400	0C0146	
				1,05	835825100	002992	
G25.1 HU	25	2S	2,45 / 3,30		516876600	0C4153	
				1,05	835825100	002992	
G 110	8	1a	5,00		516890100	0C3655	Max Power 7,5 kW
				ADJUST	/		
G 120	8	1b	4,40		516890200	0C3656	Max Power 7,5 kW
				ADJUST	/		

CUCINE GAS E900					
GAS COOCKING E900					
<i>Pos</i>	<i>Spare Part Code</i>	<i>Factory Code</i>	<i>Descrizione</i>	<i>Description</i>	<i>Ref./Note</i>
1	OC1985	510821002	GRIGLIA FUOCHI GHISA	CAST IRON GRID	
2	*	87089PV00	RIPIANO, 2 FUOCHI	TABLE TOP, 2 BURNERS	400MM
2	*	87089PU00	RIPIANO, 4 FUOCHI	TABLE TOP, 4 BURNERS	800MM
2	*	87089PZ00	RIPIANO, 6 FUOCHI	TABLE TOP, 6 BURNERS	1200MM
3	OCA013	85089DR02	PANNELLO FASCIA TOP	PANEL TOP	400MM
3	OC9625	85089DS00	PANNELLO FASCIA TOP	PANEL TOP	800MM
3	*	85089DT01	PANNELLO FASCIA TOP	PANEL TOP	1200MM
4	*	85089M300	CRUSCOTTO	CONTROL PANEL	400MM
4	*	85089M400	CRUSCOTTO	CONTROL PANEL	800MM
4	*	85089M800	CRUSCOTTO	CONTROL PANEL	1200MM
5	OCA180	543844U00	GUARNIZIONE RUBINETTO	TAP GASKET (SPONGE DISC)	
6	OC8047	548877900	GHIERA MANOPOLA FUOCHI ANT.	KNOB RING, FRONT BURNER	
7	OC8645	54887AV00	MANOPOLA RUBINETTO GAS	KNOB, GAS TAP	KNOB+ADAPTER
8	OC9745	548877A00	GHIERA MANOPOLA FUOCHI POS.	KNOB RING, FOR REAR BURNER	
9	OCA186	640804L00	PULSANTE ACCENSIONE	IGNITION BUTTON	
10	OC6171	541813800	RONDELLA SILICONE	SILICONE WASHER	
11	069567	0218912211	RONDELLA FISSAGGIO	STOPPER WASHER	
12	OCA179	541813J00	CAPPUCCIO PULSANTE	BUTTON CAP (COVER)	400MM
13	026806	315252601	PIEDINO CON VITE	FOOT WITH SCREW	
14	004240	624804700	ACCENDITORE 2 VIE	SPARK BOX	
15	OCA184	639813600	ACCENDITORE 4 VIE	SPARK BOX	
16	OCA185	639F00900	ACCENDITORE 6 VIE	SPARK BOX	
17	OC6130	544824100	PRESSACAVO	CABLE STOPPER	
18		639804901	MORSETTIERA	TERMINAL BLOCK	
19	OC0137	516860700	PIASTRINA X GIUNZIONE	JOINTING REAR PLATE	
20	OC7333	50389LP00	GRIGLIA CAMINO	CHIMNEY GRID	
21	050180	246520500	PASSACAVO DIA.23	CABLE GUARD	
22	OC2496	543821900	SPUGNETTA ADESIVA	SPONGE GASKET	
23	OC7366	830825901	CAVETTO SOSTEGNO CRUSCOT.	CONTROL PANEL RETAINER	
24	OC0156	527850500	PIASTRA FISSAGGIO FIANCHI	SIDE PANELS JOINTING PLATE	
25	*	509806900	FONDO CUCINA	BOTTOM PANEL	400MM
	*	509806A00	FONDO CUCINA	BOTTOM PANEL	800MM
	*	509806B00	FONDO CUCINA	BOTTOM PANEL	1200MM

CUCINE GAS E900 GAS COOCKING E900					
<i>Pos</i>	<i>Spare Part Code</i>	<i>Factory Code</i>	<i>Descrizione</i>	<i>Description</i>	<i>Ref./Note</i>
50	OS0245	*	GRASSO RUBINETTI GAS	GAS TAP GREASE	
51	OCA189	83089L300	TERMOCOPPIA	THERMOCOUPLE	
52	*	50189C800	SUPPORTO TERMOCOPPIA	THERMOCOUPLE HOLDER	BURNER 6KW
	*	50189CC00	SUPPORTO TERMOCOPPIA	THERMOCOUPLE HOLDER	BURNER 10KW
53	*	50189C701	SUPPORTA CANDELA	SPARK ROD HOLDER	BURNER 6KW
	*	50189CB00	SUPPORTO CANDELA	SPARK ROD HOLDER	BURNER 10KW
54	OCA190	830F00J01	CANDELA ACCENSIONE	SPARK ROD	
55	OC5480	516872700	BRIGLIA RUBINETTO	TAP STOPPER	
56	OC8955	516872600	VITE BRIGLIA	SCREW FOR TAP STOPPER	
57	OC0128	510819401	SPARTIFIAMMA	FLAME SPREADER	Ø 100mm 10 KW
58	OC0126	510819203	CORPO BRUCIATORE	BURNER CUP	Ø 100mm 10 KW
59	OC0133	510820602	VENTURI PER BRUCIATORE	VENTURI FOR BURNER	Ø 100mm 10 KW
60	OC0129	510819501	SPARTIFIAMMA	FLAME SPREADER	Ø 60mm 6 KW
61	OCA176	510828J00	CORPO BRUCIATORE	BURNER CUP	Ø 60mm 6 KW
62	OC0125	510819103	VENTURI	VENTURI	Ø 60mm 6 KW
63	OCA191	835878000	CONDUTTURA .ANT.FUOCHI	FRONT BURNER PIPE	
64	OCA192	835878100	CONDUTTURA.POST.FUOCHI	REAR BURNER PIPE	
65	OC5480	835871400	RUBINETTO (SENZA PILOTA)	GAS TAP (WITHOUT PILOT)	
66	*	510828K00	SUPPORTO VENTURI	VENTURI HOLDER	BURNER 6KW
	OC0124	510819004	SUPPORTO VENTURI	VENTURI HOLDER	BURNER 10KW
67	OC0236	853855903	TUBO RIBALTA	MANIFOLD	400MM
67	OC0237	853856003	TUBO RIBALTA	MANIFOLD	800MM
67	OC0238	853856101	TUBO RIBALTA	MANIFOLD	1200MM
68	OC8219	218563004	DADO ESAGONALE FLANGIA BASSA	HEXAGONAL NUT, LOW PROFILE	
69	OC0140	516863902	FILTRO GAS (RETINA)	GAS FILTER (MESH)	
70	051717	210360300	TAPPO PER RIBALTA	MANIFOLD STOPPER	
71	*	50189C600	PIASTRINA FILETTATA	THREADED BRAKET	BURNER 6KW
	*	50189CA00	PIASTRINA FILETTATA	THREADED BRAKET	BURNER 10KW
72	*	50189CM00	RACCORDO FRESATO PER T.C.	THERMOCOUPLE STOPPER	