

**BRASIERA 80/100L E900 XP**  
**BRATT PAN 80/100L E900 XP**

PNC	MODEL	Ref	Description
391279	E9BRGHMO40	A	80LT GAS B. PAN-MILD STEEL BOTTOM MANUAL 220/60
391280	E9BRGHMO4M	B	80LT GAS B. PAN-MILD ST.BOTTOM AUTOMATIC 220/60
391281	E9BRGHDO40	C	80LT GAS B. PAN-DUOMAT BOTTOM MANUAL 220/60
391282	E9BRGHDO4M	D	80LT GAS B. PAN-DUOMAT BOTTOM AUTOMATIC. 220/60
391283	E9BRGJMP70	E	100LT GAS B. PAN-MILD STEEL BOTTOM MANUAL 220/60
391284	E9BRGJMP4M	F	100LT GAS B. PAN.-MILD ST.BOTTOM AUTOMATIC 220/60
391285	E9BRGJDP40	G	100LT GAS B. PAN DUPLEX BOTTOM MANUAL 220/60
391286	E9BRGJDP4M	H	100LT GAS B. PAN DUPLEX BOTTOM AUTOMATIC. 220/60

**Index**

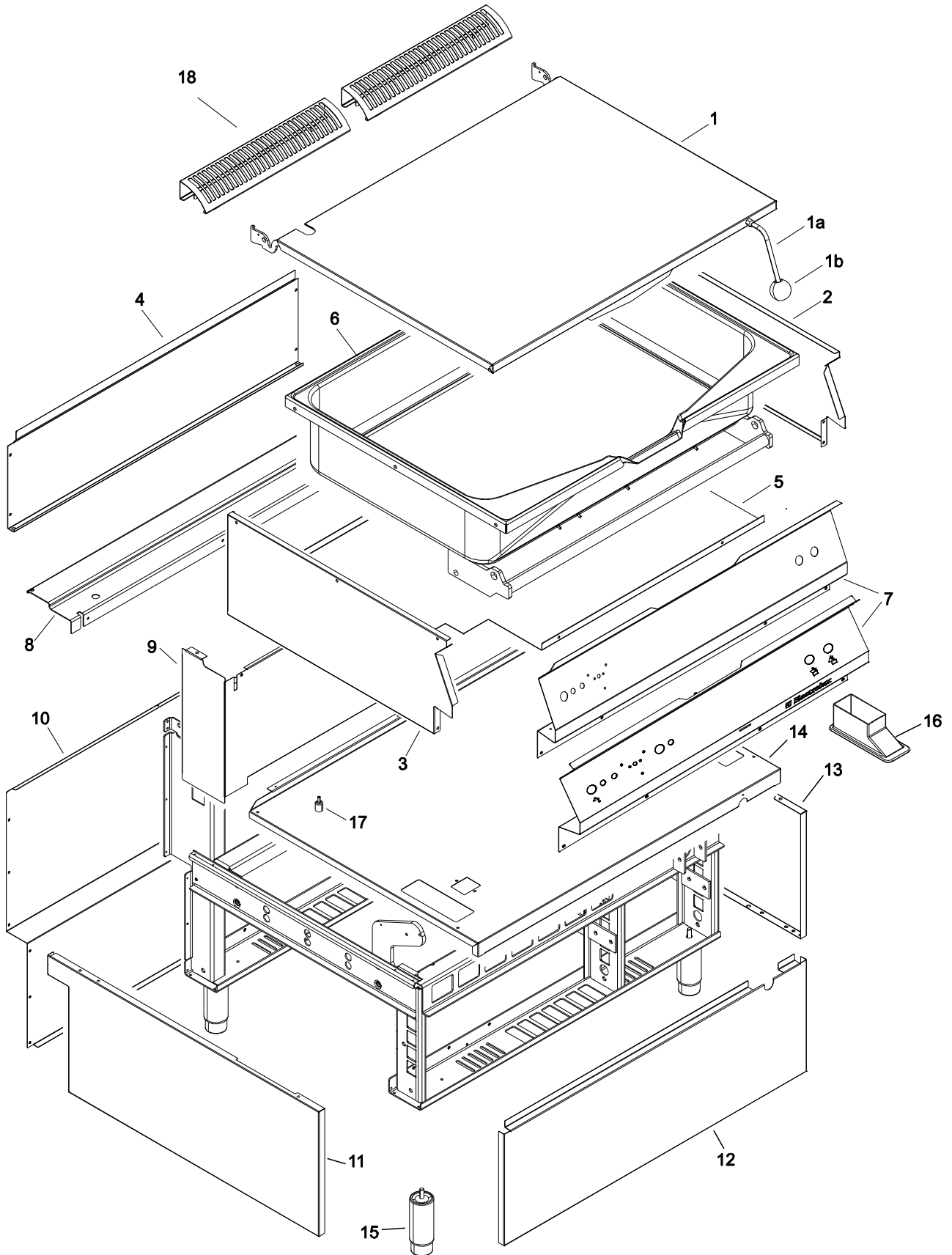
 Components / Componenti  
 Gas nozzels / Ugelli gas  
 Spare part lists / liste ricambi

**Pag**

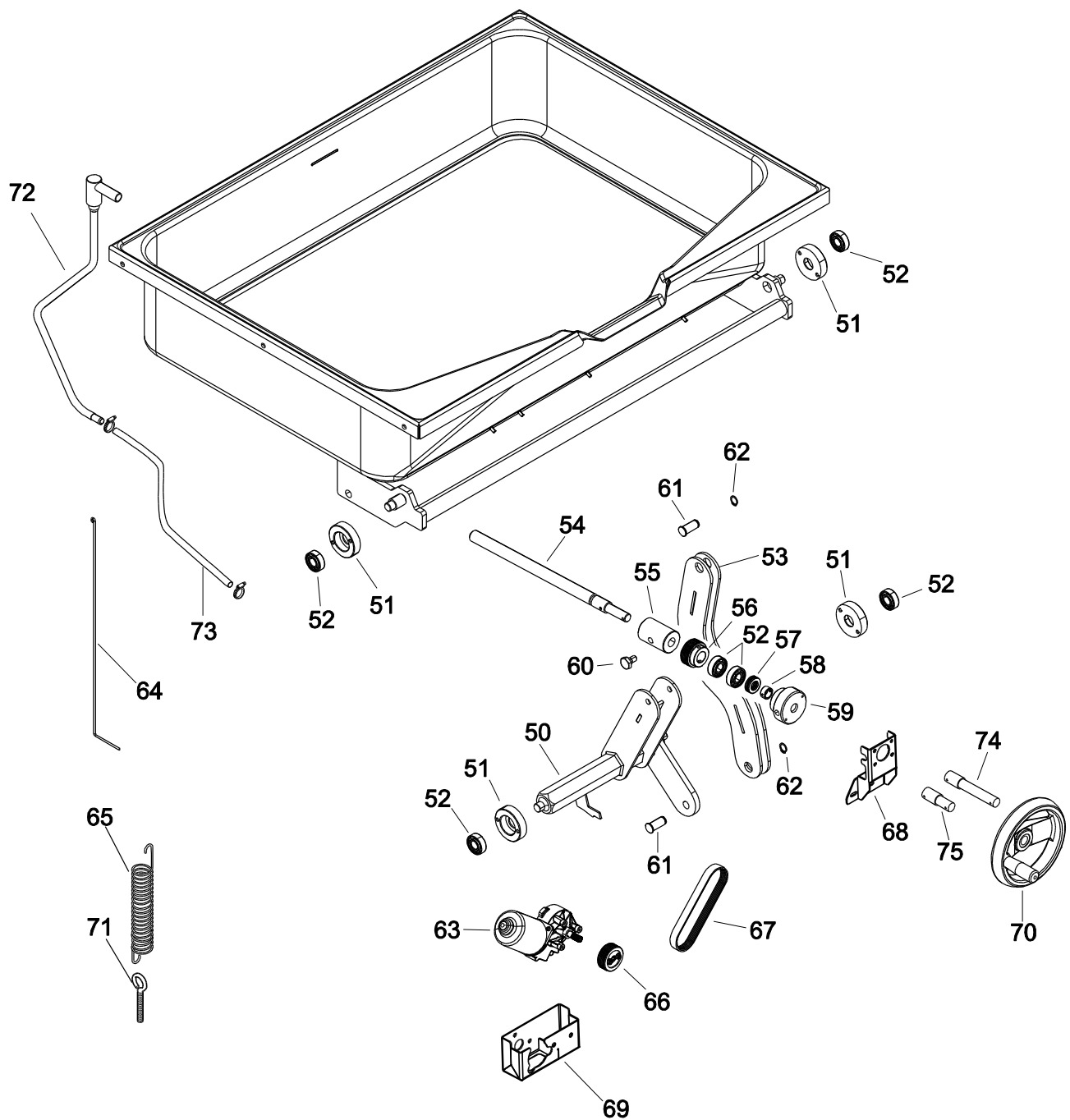
 2,3,4,5  
 6  
 6,7,8

**NOTE: 60Hz**
**BOLD: Last Change/ Grassetto= ultima modifica**

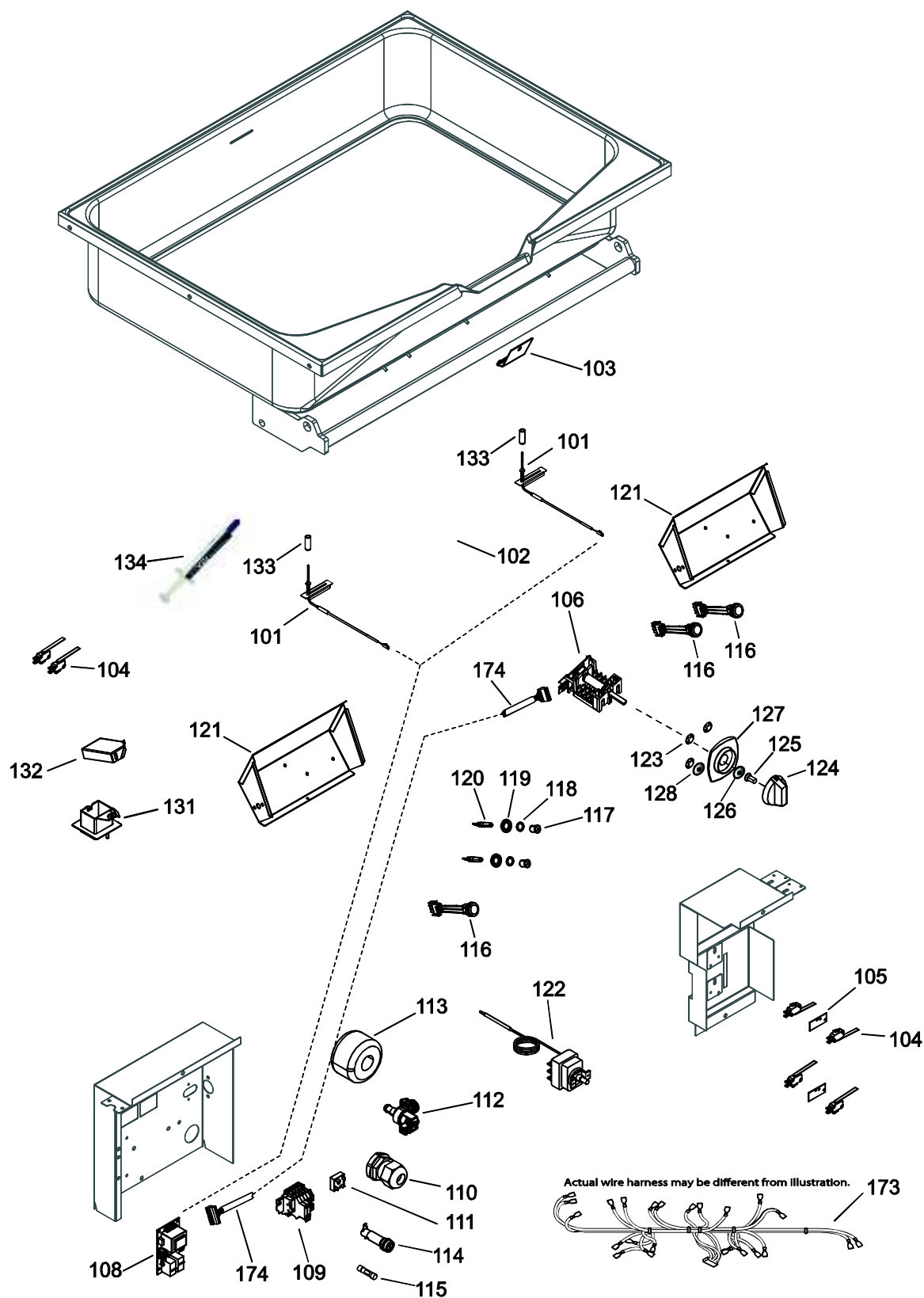
**BRASIERA 80/100L E900 XP**  
**BRATT PAN 80/100L E900 XP**



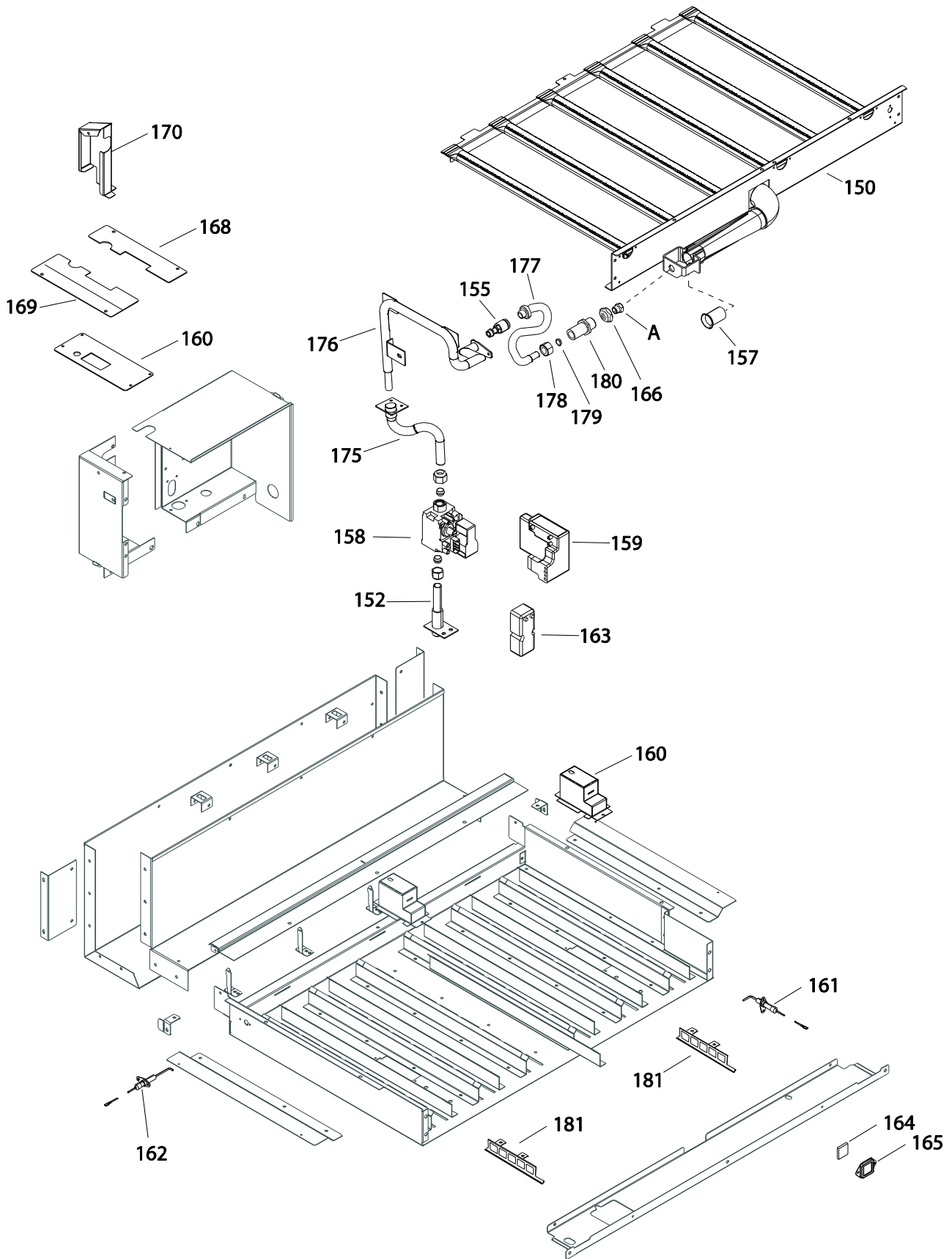
**BRASIERA 80/100L E900 XP**  
**BRATT PAN 80/100L E900 XP**



**BRASIERA 80/100L E900 XP**  
**BRATT PAN 80/100L E900 XP**



**BRASIERA 80/100L E900 XP**  
**BRATT PAN 80/100L E900 XP**



**BRASIERA 80/100L E900 XP**  
**BRATT PAN 80/100L E900 XP**

Brasiera 80lt / Brat Pan 80lt		
A - Ugello bruciatore / Burner nozzle		
Code	Spare part code	Reference
A05659600	059359	2H/2E+ G20 20mbar
516813100	002782	2H G20 25mbar
A05257200	0C0703	2ELL G25 20mbar
514887900	059639	2L G25 25mbar
A05158400	0A2104	3+3B/P G30 30mbar
A05659400	0A2475	3B/P G30 37mbar
A05620700	058335	3B/P G30 50mbar
514887900	059639	2ES G25.1 25mbar

Brasiera 100lt / Brat Pan 100lt		
A - Ugello bruciatore / Burner nozzle		
Code	Spare part code	Reference
516813500	002792	2H/2E+ G20 20mbar
516816000	002866	2H G20 25mbar
516832800	003951	2ELL G25 20mbar
516816500	002864	2L G25 25mbar
A05230100	056795	3+3B/P G30 30mbar
A05659400	0A2475	PL 3B/P G30 37mbar
A05662000	0A5356	DE-AT 3B/P G30 50mbar
516816500	002864	HU 2S G25.1 25mbar

**BRASIERA 80/100L E900 XP**  
**BRATT PAN 80/100L E900 XP**

Pos	Factory Code	Spare Part Code	Descrizione	Description	Ref./Note
1	87089CV01	0C8631	ASSIEME COPERCHIO	COMPLETE LID	100L
1	87089ML01	0C7957	ASSIEME COPERCHIO	COMPLETE LID	80L
1a	51489B800	0C8426	MANIGLIA	HANDLE SHAFT	
1b	548832200	0A5213	IMPUGNATURA	KNOB	
2	50389W701	0C8565	FIANCO SX VASCA	WELL SIDE PANEL, LEFT	
3	50389W801	0C8566	FIANCO DX VASCA	WELL SIDE PANEL, RIGHT	
4	50389VY02	0C8468	SCHIENALE VASCA	WELL BACK PANEL	100L - GAS
4	5038A0402	0C8754	SCHIENALE VASCA	WELL BACK PANEL	80L - GAS
6	87589B603	0C8414	ASSIEME VASCA DUPLEX	WELL, BRAT PAN DUPLEX	100L GAS
6	87589B803	0C8415	ASSIEME VASCA DUPLEX	WELL, BRAT PAN DUPLEX	80L GAS
6	87589BB03	0C8417	ASSIEME VASCA FERRO	WELL, BRAT PAN MILD STEEL	100L GAS
6	87589BD03	0C8419	ASSIEME VASCA FERRO	WELL, BRAT PAN MILD STEEL	80L GAS
7	83089FS04	0C8390	CRUSCOTTO BRAS. AUTOMATICA	CONTROL PANEL AUTOMATIC B.P.	ELX 100L GAS -
7	83089FX04	0C8391	CRUSCOTTO BRAS. AUTOMATICA	CONTROL PANEL AUTOMATIC B.P.	ELX 80L GAS
7	83089G203	0C8394	CRUSCOTTO BRAS. MANUALE	CONTROL PANEL MANUAL B.P.	ELX 100L GAS
7	83089G403	0C8396	CRUSCOTTO BRAS. MANUALE	CONTROL PANEL MANUAL B.P.	ELX 80L GAS -
8	83089FU00	*	PANNELLO POSTERIORE RIPIANO	WORK TOP BACK PANEL	100L - GAS
8	83089FW00	*	PANNELLO POSTERIORE RIPIANO	WORK TOP BACK PANEL	80L - GAS
9	50389VZ01	*	SCHIENALE BASE	BASE BACK PANEL	100L - GAS
9	5038A0W01	*	SCHIENALE BASE	BASE BACK PANEL	80L - GAS
10	50389VZ01	*	SCHIENALE BASE	BACK PANEL	100L - GAS
10	5038A0W01	*	SCHIENALE BASE	BACK PANEL	80L - GAS
11	50389N401	*	FIANCO BASE SINISTRO	SIDE PANEL, LEFT	
12	50389W301	*	PANNELLO ANTERIORE	FRONT PANEL	100L
12	50389W401	*	PANNELLO ANTERIORE	FRONT PANEL	80L
13	50389N301	*	FIANCO BASE DESTRO	SIDE PANEL, RIGHT	
14	5038A1R01	*	PANNELLO COPERTURA BASE	COVER BASE PANEL	100L - GAS
14	5038A1S01	*	PANNELLO COPERTURA BASE	COVER BASE PANEL	80L - GAS
15	835856900	0C0204	PIEDE	FOOT	

From Ser. Nr.  
Up to Ser. Nr.

Ed. document pubblicazione . 2015 – 07  
Ed. page revision 2015 - 07

Page 6

Doc. N° 59785U700

**BRASIERA 80/100L E900 XP**  
**BRATT PAN 80/100L E900 XP**

<i>Pos</i>	<i>Factory Code</i>	<i>Spare Part Code</i>	<i>Descrizione</i>	<i>Description</i>	<i>Ref./Note</i>
16	541813C00	*	PROTEZIONE CERNIERA	HINGE COVER	
17	315252601	026806	PIEDINO IN GOMMA	FOOT RUBBER	
18	50389LP00	0C7333	GRIGLIA CAMINO L. 400 mm	CHIMNEY GRIDS 400 mm	
50	85589CC01	0C7406	ASSIEME LEVA SOLLEVAMENTO	LEVEL, TILTING	
51	516864901	0C4332	SUPPORTO CUSCINETTO	BEARING SUPPORT	
52	835834700	056820	CUSCINETTO RADIALE	RADIAL BEARING	
53	85589CD00	0C7399	ASSIEME PUNTONE	STRUT	
54	51489B901	0C7891	VITE	SCREW	
55	516865301	0C0675	MADREVITE	DIE	
56	51489BA00	0C8518	PULEGGIA	PULLEY	
57	835834600	056821	CUSCINETTO ASSIALE	AXIAL BEARING	
58	51489B701	0C7408	BOCCOLA	BUSH	
59	51489BP00	0C7798	SUPPORTO VITE	SCREW SUPPORT	
60	214126800	051365	PERNO	PIN	
61	51489B600	0C7407	PERNO	PIN	
62	219001411	0C5172	SEEGER	SEEGER	
63	611809A00	0C7401	MOTORIDUTTORE	MOTOREDUCER	AUTOMATIC
64	51489BB00	0C8352	ASTA MICRO COPERCHIO	SHAFT FOR COVER MICRO	
65	516865201	0C0666	MOLLA PER COPERCHIO	PRING LID	
66	51489BD00	0C8519	PULEGGIA MOTORE	PULLEY, MOTOREDUCER	AUTOMATIC
67	547800100	002148	CINGHIA	BELT, MOTOR	AUTOMATIC
68	50689BJ01	0C8521	SUPPORTO MOTORE	SUPPORT, MOTOR	AUTOMATIC
69	50689BK01	0C8520	FISSAGGIO MOTORE	FIXING, MOTOR	AUTOMATIC
70	835829000	0A5164	VOLANTINO	CRANK	MANUAL (automatic accessory)
71	A05144900	0A2551	OCCHIELLO	SCREW, SPRING	
72	83089FL00	0C8353	ASSIEME GETTO EROGATORE	TAP, WATER	
73	544819400	0C5829	TUBO EPDM	EPDM PIPE	
74	516871100	0C1438	PROLUNGA VOLANTINO	EXTENSION CRANK	AUTOMATIC
75	51489BG01	0C7563	PROLUNGA VOLANTINO	EXTENSION CRANK	MANUAL
101	831857800	0C7421	TERMOCOPPIA PIASTRA	THERMOCOUPLE PAN	
103	50689BH00	*	FISSAGGIO SONDA LIMITATORE	FIXING BRACKET SAFETY THERM. PROBE	
104	640800800	053671	MICROINTERRUTTORE	MICROSWITCH	
105	246214023	045404	PIASTRINA ISOLANTE	INSULATION PLATELET	AUTOMATIC
106	641805900	0C9939	INTERRUTTORE+POTENZIOMETRO	SWITCH + POTENTIOMETER	
108	675860004	0C9995	SCHEDA CONTROLLO TERMOCOPPIE	THERMOCOUPLE BOARD	
109	639813400	0C7562	MORSETTIERA	TERMINAL BOARD	GAS
110	544802200	0C2328	PRESSACAVO	FAIRLEAD	GAS
111	675830800	006147	RADDRIZZATORE	RECTIFIER	AUTOMATIC
112	696807401	0C4984	ELETTRIVALVOLA ACQUA	WATER VALVE	
113	624805601	006159	TRASFORMATORE	TRASFORMER	AUTOMATIC
114	652800401	056582	PORTAFUSIBILE	FUSE HOLDER	
115	452140500	057783	FUSIBILE 5x20	FUSE	
116	640804M00	0C8677	PULSANTE	PUSH BOTTON	

From Ser. Nr.  
Up to Ser. Nr.

Ed. document publication . 2015 – 07  
Ed. page revision 2015 - 07

Page 7

Doc. N° 59785U700

**BRASIERA 80/100L E900 XP**  
**BRATT PAN 80/100L E900 XP**

<i>Pos</i>	<i>Factory Code</i>	<i>Spare Part Code</i>	<i>Descrizione</i>	<i>Description</i>	<i>Ref./Note</i>
117	655800100	0C2587	LENTE VERDE	GREEN LENS	SEE NOTE ART 120
117	655800200	0C2182	LENTE ARANCIO	ORANGE LENS	SEE NOTE ART 120
118	543826400	0C2183	OR	OR	
119	527815500	0C2184	PIASTRINA FISSAGGIO	FIXING FLANGE	
120	660806900	0C2585	LAMPADINA	LAMP	
*	876800002	005010	ASSIEME LAMPADA VERDE	COMPLETE LAMP, GREEN	
*	876800102	005011	ASSIEME LAMPADA ARANCIO	COMPLETE LAMP, ORANGE	
121	50489JH00	*	PROTEZIONE COMP. EL.	ELECTRICAL CASE PROTECTION	
122	646810102	005931	LIMITATORE	SAFETY THERMOSTAT	
123	218912211	069567	MOLLETTA PER GHIERA	RING, RING KNOB	
124	511850G01	0C6670	MANOPOLA	KNOB	
125	548877V00	0C7345	ADATTATORE MANOPOLA	KNOB ADAPTER	
126	543821000	053816	GUARNIZIONE MANOPOLA	KNOB GASKET	
127	54887A601	0C8194	GHIERA	RING, KNOB	
127	54887A900	0C8195	GHIERA	RING, KNOB	
128	541813800	0C6171	RONDELLA IN SILICONE	SILICONE WASHER	
133	569807S00	0C9994	TUBETTO IN STEATITE	CERAMIC TUBE	
134	0149800100	0C9989	PASTA CONDUTTRICE	CONDUCTIVE PASTE	Tech. Bull. PDX2014-06
150	83089FP04	0CA195	BRUCIATORE	BURNER	A,B,C,D,
150	83089F705	0CA196	BRUCIATORE	BURNER	E,F,G,H,
151	51589AK01	0C7886	CONDUTTURA GAS	GAS PIPE	GAS
152	80589DJ00	*	TUBO ENTRATA GAS	INLET GAS PIPE	
155	835876101	0C7409	GIUNTO ROTANTE	ROTATING CONNECTION	GAS
157	215086000	051774	BOCCOLA REGOLAZIONE ARIA	AIR REGULATION CUP	GAS
158	83089LW00	0CA428	VALVOLA GAS 840 SIGMA	GAS VALVE 840 SIGMA	60Hz
159	624811700	0C8189	CENTRALINA CONTROLLO FIAMMA	FLAME DETECTION BOARD	GAS
160	50489JD03	0C8723	SCATOLA TERMOCOPPIA	BOX FOR THERMOCOUPLE	GAS
161	83089F501	0C7419	CANDELINA ACCENSIONE	IGNITION ROD	GAS
162	83089F401	0C7418	CANDELINA RILEVAZIONE	FLAME DETECTION ROD	GAS
163	624804700	004240	ACCENDITORE	IGNITION BOARD	GAS
164	275290025	057400	VETRINO	GLASS SLIDE	GAS
165	206260400	057382	CORNICE PER VETRINO	FRAME FOR GLASS SLIDE	GAS
166	214105101	020997	CONTRODADO	NUT	GAS
167	543844L00	0C7561	GUARNIZIONE ACQUA	WATER GASKET	GAS
168	50589D700	*	PROTEZIONE INTERNA	INTERNAL PROTECTION	GAS
169	50589D600	*	PROTEZIONE ESTERNA	EXTERNAL PROTECTION	GAS
170	50489L001	*	PROTEZIONE ENTRATA CAVI	INLET WIRING PROTECTION	GAS
171	516847000	*	DADO	NUT	GAS
172	515801715	052671	OGIVA	OGIVA	GAS
173	*	*	CABLAGGIO ELETTRICO	WIRING HARNESS	Request with pnc
174	*	OTTK93	CABLAGGIO DA SCHEDA/POTENZIOMETRO	CABLE FROM POTENZIOMETER TO THERMOCOUPLE BOARD	PDX 2014-05
175	51589CH00	*	CONDUTTURA VALVOLA	GAS PIPE, VALVE	
176	51589AR00	0C8360	CONDUTTURA BRUCIATORE	GAS PIPE, BURNER	
177	80589BB00	0C8354	TUBO FLESSIBILE	FLEXIBLE GAS PIPE	
178	214108111	041155	DADO	NUT	
179	215073101	060325	OGIVA BICONO	NOSE CONE	
180	51489C000	0C8355	ADATTATORE PER UGELLO	NOZZEL ADAPTOR	
181	50589HJ00	0C9996	PROTEZIONE TERMOCOPPIA	THERMOCOUPLE PROTECTION	

From Ser. Nr.  
Up to Ser. Nr.

Ed. document publication . 2015 – 07  
Ed. page revision 2015 - 07

Page 8

Doc. N° 59785U700