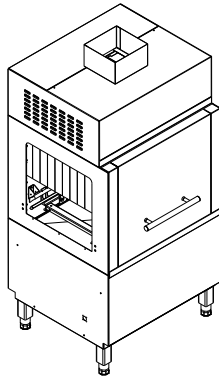
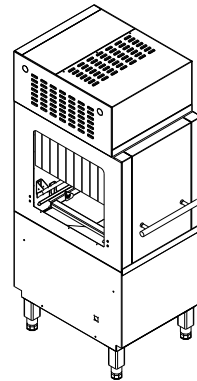


## Drying Tunnel DT

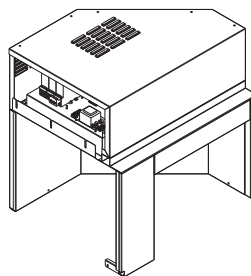
---



**DT900**



**DT600**



**DT 90°**

Marchio/Brand: **E**  
Paese/Country: **Tutti/All**

Da Ser.Nr./From Ser.nr.: 603

Page: **1** Ed.2015-05

Doc. Nr.: **595661200**

(6-55001)

## INDICE / INDEX

<b>Disegno/ Drawing</b>	<b>Descrizione / Description</b>	<b>Pagina/ Page</b>
<b>iii. DT900</b>	Zona di asciugatura (DT 900) / Drying zone (DT 900)	3
	Lista ricambi / Spare parts list	4
<b>iii. DT600</b>	Zona di asciugatura (DT 600) / Drying zone (DT 600)	7
	Lista ricambi / Spare parts list	8
<b>iii. DT90</b>	Zona di asciugatura (DT 90°) / Drying zone (DT 90°)	11
	Lista ricambi / Spare parts list	12



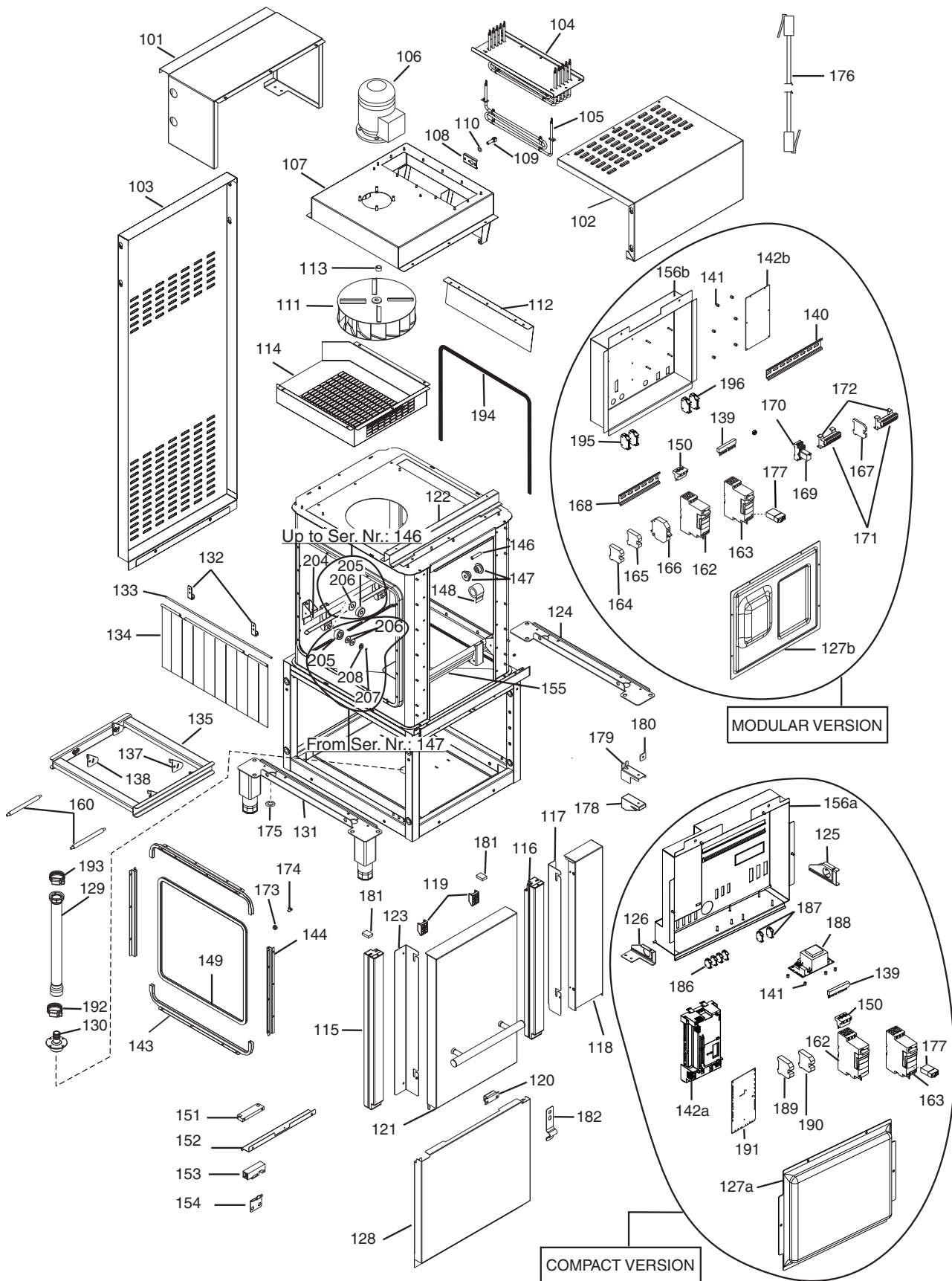
Zona di asciugatura (DT 900) Drying zone (DT 900)				iii. DT900	Grassetto = variazioni Bold Print = changes	
Pos.	Q.tà Q.ty	Cod.ric. Part No.	Cod. Fab. Fac. code	Descrizione	Description	Note Notes
101	1	0L1045	830631400	Tubo di scarico	Drain pipe	Up to S.N.616
101	1	<b>0L1180</b>	544685001	Tubo di scarico	Drain pipe	From S.N.617
102	1	<b>0E5251</b>	W00015000	Scarico DT	DT drain	Up to S.N.616
107	1	<b>0L1001</b>	699604600	Magnete	Magnet	
108	2	<b>0L1046</b>	507689001	Supporto schienale	Panel support	Up to Ser. Nr.: 928
108	2	<b>0L2088</b>	805664Q00	Supporto schienale	Panel support	From Ser. Nr.: 929
109	1	0L0831	502697802	Supporto pannello destro	Right panel support	Up to S.N.724
109	1	0L1472	502697803	Supporto pannello destro	Right panel support	From S.N.725 Up to S.N. 810
109	1	<b>0L1047</b>	830643101	Supporto pannello destro	Right panel support	From S.N.811
110	1	<b>0L0832</b>	830637102	Guida porta destra	Right door rail	
111	1	<b>0L0833</b>	830637202	Guida porta sinistra	Left door rail	
112	1	<b>0L0984</b>	830641002	Pannello	Panel	
113	1	0L0862	502697901	Supporto pannello sinistro	Left panel support	Up to S.N.724
113	1	0L1474	502697902	Supporto pannello sinistro	Left panel support	From S.N.725 Up to S.N.810
113	1	<b>0L1049</b>	830643001	Supporto pannello sinistro	Left panel support	From S.N.811
114	1	<b>0L1050</b>	835620401	Porta	Door	
115	2	<b>0E2898</b>	W00143601	Supporto molla	Spring support	
116	2	<b>0L0861</b>	541612801	Fermo porta	Door stop	
117	2	<b>0L0839</b>	549644800	Perno aggancio	Locking stud	
118	1	<b>0L1052</b>	503601201	Pannello inferiore	Lower panel	
119	1	<b>0L3164</b>	502698502	Supporto sensore reed	Reed sensor support	
120	3	<b>0L0842</b>	504696100	Dente traino destro	Right rack tooth	Up to S.N.638
120	3	<b>0L1314</b>	5046A3800	Dente traino destro	Right rack tooth	From S.N.639
121	3	<b>0L0843</b>	504696200	Dente traino sinistro	Left rack tooth	Up to S.N.638
121	3	<b>0L1315</b>	5046A3900	Dente traino sinistro	Left rack tooth	From S.N.639
122	1	<b>0L1053</b>	507690800	Supporto magnete	Magnet holder	
123	1	<b>049621</b>	654600000	Sensore reed	Reed sensor	
124	2	<b>0L0992</b>	502697602	Copertura orizzontale guarnizione	Gasket horizontal cover	
125	2	<b>0L0991</b>	502697501	Copertura verticale guarnizione	Gasket hertical cover	
126	20	<b>0L0872</b>	514698001	Boccola	Bush	
127	1	<b>0L0827</b>	543630300	Guarnizione	Gasket	
128	1	<b>0L0853</b>	503603601	Piede telaio	Frame feet	Not for "Steam version"
128	1	<b>0L1514</b>	503615701	Piede telaio	Frame feet	Only for "Steam version"
129	4	<b>0L0993</b>	541612500	Tappo	Plug	
130	1	<b>0L1054</b>	W00508900	Morsetto giallo/verde	Yellow/green terminal block	Modular RT
131	1	0E5850	W00508400	Morsetto Blu	Blue terminal block	Modular RT
132	1	<b>0E6015</b>	652606000	Interruttore automatico	Automatic fuse	Modular RT
133	1	<b>0L1016</b>	648614301	Partenza motore resistenza DT	DT heating element starter controller	8A÷32A - Not for "Steam version"
134	1	<b>0L1018</b>	648614101	Partenza motore motore DT	DT motor starter controller	1.25A÷5A Up to S.N.620
134	1	<b>0L1222</b>	648614102	Partenza motore motore DT	DT motor starter controller	1.25A÷5A From S.N.621
135	1	<b>0L1009</b>	648614400	Relé	Relay	Modular RT

Zona di asciugatura (DT 900) Drying zone (DT 900)				iii. DT900	Grassetto = variazioni Bold Print = changes	
Pos.	Q.tà Q.ty	Cod.ric. Part No.	Cod. Fab. Fac. code	Descrizione	Description	Note Notes
136	1	0L0415	648613700	Zoccolo relé	Relay socket	Modular RT
137	1	0E3032	W00010100	Barra DIN L=142 mm	DIN bar L=142 mm	Modular RT
138	1	0L1013	639626600	Morsettiera	Junction box	
139	1	0L1025	639626700	Barra di collegamento	Connection bar	Not for "Steam version"
140	1	0L1027	507621700	Barra DIN L=265 mm	DIN bar L=265 mm	Modular RT
141	6	088653	516807900	Distanziale	Spacer	
142a	1	0L1291	673610202	Scheda elettronica	Electronic board	Compact RT
142b	1	0L1022	673607702	Scheda elettronica	Electronic board	Up to S.N.628
142b	1	0L1246	673609500	Scheda elettronica	Electronic board	From S.N.629 Up to S.N.639
142b	1	0L1284	673610103	Scheda elettronica	Electronic board	From S.N.640 Modular RT
<b>142b</b>	<b>1</b>	<b>0L1284</b>	<b>673610103</b>	<b>Scheda elettronica</b>	<b>Electronic board</b>	<b>Modular RT Up to Ser:4511</b>
<b>142b</b>	<b>1</b>	<b>0L3465</b>	<b>673612D00</b>	<b>Scheda elettronica</b>	<b>Electronic board</b>	<b>RT Modular From Ser:4521</b>
143	2	0L0857	515659300	Camicia molla	Coil sleeve	
144	4	0L0858	546631000	Boccola molla	Spring bush	
145	2	0E5158	W00093200	Molla	Spring	
147	1	0L1055	504696801	Convogliatore aria	Air duct	Up to Ser. Nr.: 928
147	1	0L2089	800672G00	Convogliatore aria	Air duct	From Ser. Nr.: 929
148	1	0L1056	503610800	Copertura convogliatore	Duct cover	
149	1	0E5618	W00007600	Ventola	Fan	
150	1	0L1057	830652200	Copertura mobile	Mobile cover	
151	1	0L1058	800669300	Coprimotore	Motor shield	
152	1	0L1059	514600101	Deflettore interno	Inner shield	
153	1	0L1060	830652902	Schienale	Backpanel	
154	1	0L1061	805661800	Scatola ventola	Fan box	
155a	1	0L1062	830641600	Supporto resistenze	Heating elements support	Not for "Steam version"
155b	1	0L1570	5046A3000	Supporto serpentina vapore	Steam coil support	Only for "Steam version"
156	1	0E5751	W00130103	Supporto motore	Motor support	
157	1	0E5798	W00337101	Motore	Motor	
158	6	0L1323	617623400	Resistenza	Heating element	Not for "Steam version"
159	1	0L0366	507683800	Supporto sensore temperatura	Temperature probe support	
160	1	046376	543605900	O-ring	O-ring	
161	1	049643	124294000	Sonda di temperatura	Temperature probe	
162a	1	0L1202	541614700	Copertura	Cover	Compact RT
162b	1	0L1063	541613500	Copertura	Cover	Modular RT
163	2	0L1012	639627100	Multiconnettore (spina)	Multiconnector (plug)	Modular RT
164	2	0L1010	639627000	Multiconnettore (presa)	Multiconnector (socket)	Modular RT
165	1	0L1609	639627700	Morsetto	Terminal block	Modular RT
166	1	0L0854	502696002	Supporto piede	Foot support	Not for "Steam version"
166	1	0L1552	5026A7000	Supporto piede	Foot support	Only for "Steam version"
167	1	0E5826	RT0003700	Asse tendina	Curtain rod	
168	2	0L1171	503610500	Sostegno tendina	Curtain support	

Da Ser.Nr./From Ser.nr.: 603

Doc. Nr.: **595661200**

Zona di asciugatura (DT 900) Drying zone (DT 900)				iii. DT900	Grassetto = variazioni Bold Print = changes	
Pos.	Q.tà Q.ty	Cod.ric. Part No.	Cod. Fab. Fac. code	Descrizione	Description	Note Notes
170a	1	0L1220	850659101	Supporto componenti	Components support	Compact RT
170b	1	0L1221	502696202	Supporto componenti	Components support	Modular RT
171	1	0L1065	503604302	Carter	Carter	
172	1	0L1272	830632301	Slitta	Slide	Up to S.N.638
172	1	0L1307	830632304	Slitta	Slide	From S.N.639
173	1	0L0938	544681600	Raccordo di scarico 1 1/2	Drain fitting 1 1/2	
174	1	047578	518604001	Fascetta 25-40/9	Clamp 25-40/9	
175	1	0L1302	800670600	Schermo aria	Air shield	From S.N.640
<b>176</b>	<b>1</b>	<b>0L1432</b>	<b>639629200</b>	<b>Cavo di comunicazione</b>	<b>Communication cable</b>	<b>Up to Ser:4511</b>
<b>176</b>	<b>1</b>	<b>0L3458</b>	<b>639629200</b>	<b>Cavo di comunicazione</b>	<b>Communication cable</b>	<b>From Ser:4521</b>
177	1	0L1441	648615200	Contatto ausiliario	Auxiliary contact	
178	2	0L1471	543631300	Guarnizione	Gasket	
179	2	0L1470	502697402	Squadretta guarnizione	Gasket cover	
180	2	0L1469	503609200	Rondella quadrata	Square washer	
181	2	0L1597	565615200	Guarnizione guida porta	Door guide gasket	
182	2	0L1528	507690700	Scrocco	Spring latch	
183	20	0L1617	514698100	Vite	Screw	
184	1	0L1595	5026A5400	Guida sinistra box elettrico	Electric box left guide	Compact RT
185	1	0L1619	5026A5300	Guida destra box elettrico	Electric box right guide	Compact RT
186	4	0L1227	639627800	Connettore	Connector	Compact RT
187	2	0L1228	639627900	Connettore	Connector	Compact RT
188	1	0L1225	624605102	Trasformatore	Transformer	Compact RT
189	1	0L1245	639628400	Morsetto Blu	Blue terminal block	Compact RT
190	1	0L1298	639628900	Morsetto Marrone	Brown terminal block	Compact RT
191	1	0L1224	673608903	Morsettiera	Junction box	Compact RT
192	4	0L1560	543633500	Guarnizione	Gasket	Only for steam version
193	1	0E5604	W00334400	Serpentina vapore	Steam coil	Only for steam version
194	1	0E0153	W00513200	Valvola di scarico	Drain valve	Only for steam version
195	1	0L1481	696617600	Elettrovalvola vapore	Steam solenoid valve	Only for steam version
196	1	072457	W00526300	Raccordo 3/4 - 3/4	Fitting 3/4 - 3/4	Only for steam version
197	1	0L1556	515664000	Tubo di scarico vapore	Steam drain pipe	Only for steam version
198	1	0L1555	515663900	Tubo ingresso vapore	Steam inlet pipe	Only for steam version
199	2	0E5056	W00525500	Dado	Nut	Only for steam version
200	1	046878	518602701	Fascetta 35-50/9	Clamp 35-50/9	
201	1	0L2167	543633J00	Guarnizione	Gasket	From Ser. Nr.: 020
202	2	0L2386	699605700	Connettore 4 vie	4 ways connector	From Ser. Nr.: 037
203	2	0L2387	699605800	Connettore 8 vie	8 ways connector	From Ser. Nr.: 037
204	2	0L1703	830631901	Guida cesto	Rack rail	Up to Ser. Nr.: 146
204	2	0L2596	835622000	Kit guida cesto	Rack rail kit	From Ser. Nr.: 147
205	6	0L2443	W00017300	Boccola aggancio slitta	Trail lock device	Up to Ser. Nr.: 146
205	6	0L2520	547604800	Boccola aggancio slitta	Trail lock device	From Ser. Nr.: 147
206	12	0L2174	549646100	Distanziale	Roller spacer	From Ser. Nr.: 147
207	6	0L2522	219614400	Anello di tenuta	Retainer ring	From Ser. Nr.: 147
208	6	0L2521	5066A0R00	Dischetto contenimento rulli	Flanged washer	From Ser. Nr.: 147



**iii. DT600**  
**Zona di asciugatura (DT 600) / Drying zone (DT 600)**

Da Ser.Nr./From Ser.nr.: 603

Page: 7 Ed.2011-12

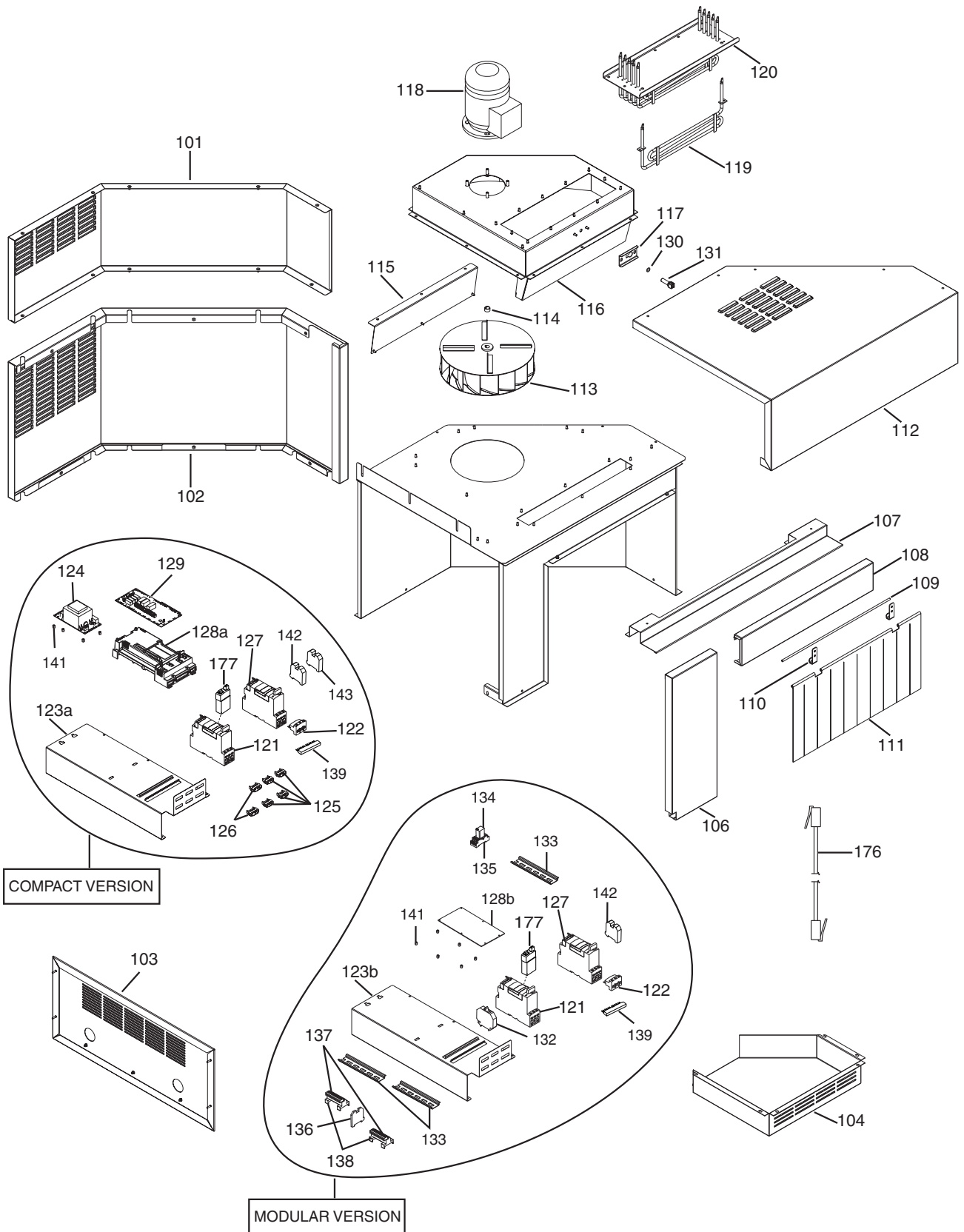
**Doc. Nr.: 595661200**

(6-55001)

Zona di asciugatura (DT 600) Drying zone (DT 600)				iii. DT600	Grassetto = variazioni Bold Print = changes	
Pos.	Q.tà Q.ty	Cod.ric. Part No.	Cod. Fab. Fac. code	Descrizione	Description	Note Notes
101	1	0L1327	850660400	Copertura fissa	Fixed cover	Up to S.N. 724
101	1	<b>0L1611</b>	503612601	Copertura fissa	Fixed cover	From S.N. 725
102	1	<b>0L1598</b>	830652700	Copertura mobile	Removable cover	
103	1	<b>0L1883</b>	830654M01	Schienale	Back panel	
104	1	<b>0L1317</b>	5026A1300	Supporto resistenze	Resistor support	
105	6	<b>0L1323</b>	617623400	Resistenza	Resistance	
106	1	<b>0E5800</b>	W00337001	Motore	Motor	
107	1	<b>0L1326</b>	830649200	Scatola supporto motore destra	Right motor support case	
107	1	<b>0L1620</b>	830647100	Scatola supporto motore sinistra	Left motor support case	
108	1	<b>0L0366</b>	507683800	Supporto sensore temperatura	Temperature probe support	
109	1	<b>049643</b>	124294000	Sonda temperatura	Temperature probe	
110	1	<b>046376</b>	543605900	O-ring	O-ring	
111	1	<b>0E5081</b>	W00007500	Ventilatore	Fan	DT dx
111	1	<b>0L1346</b>	835621200	Ventilatore	Fan	DT sx
112	1	<b>0L1325</b>	830649000	Deflettore interno	Inner shield	
113	1	<b>0E5801</b>	W00016101	Distanziatore	Motor spacer	
114	1	<b>0L1319</b>	5026A3500	Scatola interna	Inner case	
115	1	<b>0L0833</b>	830637202	Guida porta sinistra	Left guide	
116	1	<b>0L0832</b>	830637102	Guida porta destra	Right guide	
117	1	0L0862	502697901	Supporto sinistro pannello	Left panel support	Up to S.N. 724
117	1	0L1474	502697902	Supporto sinistro pannello	Left panel support	From S.N. 725 Up to S.N. 810
117	1	<b>0L1049</b>	830643001	Supporto sinistro pannello	Left panel support	From S.N. 811
118	1	<b>0L0984</b>	830641002	Pannello	Panel	
119	2	<b>0L0861</b>	541612801	Fermo porta	Door lock	
120	1	<b>0E2898</b>	W00143601	Supporto molla	Spring support	
121	1	<b>0L0837</b>	835620302	Porta	Door	
122	1	<b>0L1318</b>	5026A3401	Carter	Carter	
123	1	0L0831	502697802	Supporto pannello destro	Right panel support	Up to S.N. 724
123	1	0L1472	502697803	Supporto pannello destro	Right panel support	From S.N. 725 Up to S.N. 810
123	1	<b>0L1047</b>	830643101	Supporto pannello destro	Right panel support	From S.N. 811
124	1	<b>0L0854</b>	502696002	Supporto piede	Foot support	
125	1	<b>0L1329</b>	5026A0200	Guida destra box elettrico	Electric box right guide	Compact RT
126	1	<b>0L1316</b>	5026A0300	Guida sinistra box elettrico	Electric box left guide	Compact RT
127a	1	<b>0L1202</b>	541614700	Copertura box elettrico	Electric box cover	Compact RT
127b	1	<b>0L1063</b>	541613500	Copertura box elettrico	Electric box cover	Modular RT
128	1	<b>0L0840</b>	503601302	Pannello inferiore	Lower panel	
129	1	<b>0L1180</b>	544685001	Tube di scarico	Drain hose	
130	1	<b>0L0938</b>	544681600	Raccordo di scarico 1"1/2	Drain fitting 1"1/2	
131	1	<b>0L0853</b>	503603601	Piedi telaio	Frame feet	
132	2	<b>0L1171</b>	503610500	Gancio tendina	Curtain support	
133	1	<b>0E5826</b>	RT0003700	Asse tendina	Curtain rod	
134	1	0L0851	541612402	Tendina singola corta	Short single curtain	Up to Ser. 824
134	1	<b>0L1733</b>	541617100	Tendina singola corta	Short single curtain	From Ser. 825
135	1	<b>0L1306</b>	830632203	Slitta	Slide	
137	2	<b>0L1315</b>	5046A3900	Dente traino sinistro	Right rack tooth	
138	2	<b>0L1314</b>	5046A3800	Dente traino destro	Left rack tooth	
139	1	<b>0L1025</b>	639626700	Barra di collegamento	Connection bar	
140	1	0L1027	507621700	Barra DIN L=265 mm	DIN bar L=265 mm	Modular RT

Zona di asciugatura (DT 600) Drying zone (DT 600)				iii. DT600	Grassetto = variazioni Bold Print = changes	
Pos.	Q.tà Q.ty	Cod.ric. Part No.	Cod. Fab. Fac. code	Descrizione	Description	Note Notes
141	6	088653	516807900	Distanziale	Spacer	
142a	1	0L1291	673610202	Scheda elettronica	Electronic board	Compact RT
<b>142b</b>	<b>1</b>	<b>0L1284</b>	<b>673610103</b>	<b>Scheda elettronica</b>	<b>Electronic board</b>	<b>Modular RT</b>
<b>142b</b>	<b>1</b>	<b>0L3465</b>	<b>673612D00</b>	<b>Scheda elettronica</b>	<b>Electronic board</b>	<b>Up to Ser:4511</b> <b>RT Modular</b> <b>From Ser:4521</b>
143	2	0L0992	502697602	Copertura orizzontale guarnizione	Gasket orizontal cover	
144	2	0L0991	502697501	Copertura verticale guarnizione	Gasket vertical cover	
146	1	0L0857	515659300	Camicia molla	Coil sleeve	
147	2	0L1170	546631100	Boccola molla	Spring bush	
148	1	0E5167	W00093300	Molla	Spring	
149	1	0L0727	543630300	Guarnizione	Gasket	
150	1	0L1013	639626600	Morsettiera	Junction box	
151	1	0L1001	699604600	Magnete	Magnet	
152	1	0L1168	504696703	Paraspruzzi	Splashguard	
153	1	049621	654600000	Sensore reed	Reed sensor	
154	1	0L3164	502698502	Supporto sensore reed	Reed sensor support	
156a	1	0L1220	850659101	Supporto componenti	Components support	Compact RT
156b	1	0L1221	502696202	Supporto componenti	Components support	Modular RT
160	2	0L0841	514695200	Asse collegamento traino	Drawing connection shaft	
162	1	0L1016	648614301	Partenza motore Resistenza DT	DT heating element starter controller	8A÷32A
163	1	0L1297	648613901	Partenza motore motore DT	DT motor starter controller	0.35A÷1.4A
164	1	0L1054	W00508900	Morsetto giallo/verde	Yellow/green terminal block	Modular RT
165	1	0E5850	W00508400	Morsetto Blu	Blue terminal block	Modular RT
166	1	0E6015	652606000	Interruttore automatico	Automatic fuse	Modular RT
167	1	0L1609	639627700	Morsetto	Terminal block	Modular RT
168	1	0E3032	W00010100	Barra DIN L=142 mm	DIN bar L=142 mm	Modular RT
169	1	0L1009	648614400	Relé	Relay	Modular RT
170	1	0L0415	648613700	Zoccolo relé	Relay socket	Modular RT
171	2	0L1012	639627100	Multiconnettore (spina)	Multiconnector (plug)	Modular RT
172	2	0L1010	639627000	Multiconnettore (presa)	Multiconnector (socket)	Modular RT
173	20	0L0872	514698001	Boccola	Bush	
174	20	0L1617	514698100	Vite	Screw	
175	4	0L0993	541612500	Tappo	Plug	
<b>176</b>	<b>1</b>	<b>0L1432</b>	<b>639629200</b>	<b>Cavo di comunicazione</b>	<b>Communication cable</b>	<b>Up to Ser:4511</b>
<b>176</b>	<b>1</b>	<b>0L3458</b>	<b>639629200</b>	<b>Cavo di comunicazione</b>	<b>Communication cable</b>	<b>From Ser:4521</b>
177	1	0L1441	648615200	Contatto ausiliario	Auxiliary contact	
178	2	0L1471	543631300	Guarnizione	Gasket	
179	2	0L1470	502697402	Squadretta guarnizione	Gasket cover	
180	2	0L1469	503609200	Rondella quadrata	Square washer	
181	2	0L1597	565615200	Guarnizione guida porta	Door guide gasket	
182	2	0L1528	507690700	Scrocco	Spring latch	
186	4	0L1227	639627800	Connettore	Connector	Compact RT
187	2	0L1228	639627900	Connettore	Connector	Compact RT
188	1	0L1225	624605102	Trasformatore	Transformer	Compact RT
189	1	0L1245	639628400	Morsetto Blu	Blue terminal block	Compact RT
190	1	0L1298	639628900	Morsetto Marrone	Brown terminal block	Compact RT
191	1	0L1224	673608903	Morsettiera	Junction box	Compact RT

Zona di asciugatura (DT 600) Drying zone (DT 600)				iii. DT600	Grassetto = variazioni Bold Print = changes	
Pos.	Q.tà Q.ty	Cod.ric. Part No.	Cod. Fab. Fac. code	Descrizione	Description	Note Notes
192	1	047578	518604001	Fascetta 25-40/9	Clamp 25-40/9	
193	1	046878	518602701	Fascetta 35-50/9	Clamp 35-50/9	
194	1	0L2167	543633J00	Guarnizione	Gasket	From Ser. Nr.: 020
195	2	0L2386	699605700	Connettore 4 vie	4 ways connector	From Ser. Nr.: 037
196	2	0L2387	699605800	Connettore 8 vie	8 ways connector	From Ser. Nr.: 037
204	2	0L1324	830631801	Guida cesto	Rack rail	Up to Ser. Nr.: 146
204	2	0L2594	835621Y00	Kit guida cesto	Rack rail kit	From Ser. Nr.: 147
205	4	0L2443	W00017300	Boccola aggancio slitta	Trail lock device	Up to Ser. Nr.: 146
205	4	0L2520	547604800	Boccola aggancio slitta	Trail lock device	From Ser. Nr.: 147
206	8	0L2174	549646100	Distanziale	Roller spacer	From Ser. Nr.: 147
207	4	0L2522	219614400	Anello di tenuta	Retainer ring	From Ser. Nr.: 147
208	4	0L2521	5066A0R00	Dischetto contenimento rulli	Flanged washer	From Ser. Nr.: 147



**iii. DT90**

**Zona di asciugatura (DT 90°) / Drying zone (DT 90°)**

Da Ser.Nr./From Ser.nr.: 603

Page: 11 Ed.2008-06

**Doc. Nr.: 595661200**

(6-55001)

Zona di asciugatura (DT 90°) Drying zone (DT 90°)				iii. DT90	Grassetto = variazioni Bold Print = changes	
Pos.	Q.tà Q.ty	Cod.ric. Part No.	Cod. Fab. Fac. code	Descrizione	Description	Note Notes
101	1	0L1342	830644200	Pannello laterale superiore SX	Left upper lateral panel	DT 90° sx/left
101	1	0L1335	830648600	Pannello laterale superiore DX	Right upper lateral panel	DT 90° dx/right
102	1	0L1341	830644100	Pannello laterale inferiore SX	Left lower lateral panel	DT 90° sx/left
102	1	0L1333	830647300	Pannello laterale inferiore DX	Right lower lateral panel	DT 90° dx/right
103	1	0L1330	805663601	Fianco	Flank	
104	1	0L1349	5026A1100	Scatola interna sinistra	Left inner case	DT 90° sx/left
104	1	0L1337	5026A5800	Scatola interna destra	Right inner case	DT 90° dx/right
106	1	0L1344	830644400	Pannello frontale verticale SX	Left vertical front panel	DT 90° sx/left
106	1	0L1340	830649100	Pannello frontale verticale DX	Right vertical front panel	DT 90° dx/right
107	1	0L1348	5026A1000	Cornice sinistra	Left frame	DT 90° sx/left
107	1	0L1338	5026A5900	Cornice destra	Right frame	DT 90° dx/right
108	1	0L1331	830644500	Pannello frontale orizzontale	Horizontal front panel	
109	1	0E5826	RT0003700	Asse tendina	Curtain rod	
110	2	0L1171	503610500	Gancio tendina	Curtain support	
111	1	0L0851	541612402	Tendina singola corta	Short single curtain	Up to Ser. 824
111	1	0L1733	541617100	Tendina singola corta	Short single curtain	From Ser. 825
112	1	0L1347	5026A0700	Pannello superiore sinistro	Left upper panel	DT 90° sx/left
112	1	0L1336	5026A2500	Pannello superiore destro	Right upper panel	DT 90° dx/right
113	1	0L1346	835621200	Ventola	Fan	DT 90° dx/right
113	1	0E5081	W00007500	Ventola	Fan	DT 90° sx/left
114	1	0E5801	W00016101	Distanziatore	Motor spacer	
115	1	0L1325	830649000	Deflettore interno	Inner shield	
116	1	0L1334	830648100	Scatola interna	Inner case	DT 90° dx/right
116	1	0L1345	830644600	Scatola interna	Inner case	DT 90° sx/left
117	1	0L0366	507683800	Supporto sensore temperatura	Temperature probe support	
118	1	0E5800	W00337001	Motore	Motor	
119	6	0L1323	617623400	Resistenza	Resistance	
120	1	0L1317	5026A1300	Supporto resistenze	Resistor support	
121	1	0L1297	648613901	Partenza motore motore DT	DT motor starter controller	0.35A÷1.4A
122	1	0L1013	639626600	Morsetto	Terminal box	
123a	1	0L1350	5046A3200	Supporto componenti sinistro	Left components support	RT Compact DT 90° sx/left
123a	1	0L1339	5046A3500	Supporto componenti destro	Right components support	RT Compact DT 90° dx/right
123b	1	0L1622	830649400	Supporto componenti sinistro	Left components support	RT Modular DT 90° sx/left
123b	1	0L1623	830649300	Supporto componenti destro	Right components support	RT Modular DT 90° dx/right
124	1	0L1225	624605102	Trasformatore	Transformer	RT Compact
125	4	0L1227	639627800	Connettore	Connector	RT Compact
126	2	0L1228	639627900	Connettore	Connector	RT Compact
127	1	0L1016	648614301	Partenza motore resistenza DT	DT heating element starter controller	8A÷32A
128a	1	0L1291	673610202	Scheda elettronica	Electronic board	RT Compact
<b>128b</b>	<b>1</b>	<b>0L1284</b>	<b>673610103</b>	<b>Scheda elettronica</b>	<b>Electronic board</b>	<b>RT Modular</b> <b>Up to Ser:4511</b>
<b>128b</b>	<b>1</b>	<b>0L3465</b>	<b>673612D00</b>	<b>Scheda elettronica</b>	<b>Electronic board</b>	<b>RT Modular</b> <b>From Ser:4521</b>
129	1	0L1224	673608903	Morsettiera	Junction box	RT Compact
130	1	046376	543605900	O-ring	O-ring	

Zona di asciugatura (DT 90°) Drying zone (DT 90°)				iii. DT90	Grassetto = variazioni Bold Print = changes	
Pos.	Q.tà Q.ty	Cod.ric. Part No.	Cod. Fab. Fac. code	Descrizione	Description	Note Notes
131	1	049643	124294000	Sonda di temperatura	Temperature probe	
132	1	0E6015	652606000	Interruttore automatico	Automatic fuse	Modular RT
133	1	0E3032	W00010100	Barra DIN L=142 mm	DIN bar L=142 mm	Modular RT
134	1	0L1009	648614400	Relé	Relay	Modular RT
135	1	0L0415	648613700	Zoccolo relé	Relay socket	Modular RT
136	1	0L1609	639627700	Morsetto	Terminal block	Modular RT
137	2	0L1012	639627100	Multiconnettore (spina)	Multiconnector (plug)	Modular RT
138	2	0L1010	639627000	Multiconnettore (presa)	Multiconnector (socket)	Modular RT
139	1	0L1025	639626700	Barra di collegamento	Connection bar	
141	6	088653	516807900	Distanziale	Spacer	
142	1	0L1245	639628400	Morsetto Blu	Blue terminal block	
143	1	0L1298	639628900	Morsetto Marrone	Brown terminal block	Compact RT
176	1	0L1432	639629200	<b>Cavo di comunicazione</b>	<b>Communication cable</b>	<b>Up to Ser:4511</b>
176	1	0L3458	639629200	<b>Cavo di comunicazione</b>	<b>Communication cable</b>	<b>From Ser:4521</b>
177	1	0L1441	648615200	Contatto ausiliario	Auxiliary contact	