

Draught Master

BEER DISPENSER

Code	Avv	Model and Type	Ref.	Brand	Page
726866	04	DMAST+ 4° BEER DISPENSER "ACE" + 4°C	a	Electrolux	2,3,4,5
727088	10	DMAST+ 2° BEER DISPENSER "ACE" + 2°C	c	Electrolux	2,3,4,5
727124	06	DMAST+ 2° BEER DISP."DRAUGHT MASTER"+2°+ hot cable "Tropical"	d	Electrolux	2,3,4,5
726867	02	DMPC4C PRE-COOLER FOR KEGS "DRAUGHT MASTER" + 4°	b	Electrolux	2,3
727095	04	DMPC2C PRE-COOLER FOR KEGS "DRAUGHT MASTER" + 2°	e	Electrolux	2,3
727134	06	DMAST2CUK BEER DISP. PLUS "DRAUGHT MASTER" +2°-UK	f	Electrolux	2,3,4,5
727176	01	DMASTCT BEER DSP."DRAUGHT MASTER" +2° TURBORG-IT	g	Electrolux	2,3,4,5,6
727177	01	DMASTCTW BEER DSP."DRAUGHT MASTER" +2° TURBORG-WORLD	h	Electrolux	2,3,4,5,6
727178	01	DMASTCTW BEER DSP."DRAUGHT MASTER" +2° Carsberg Green	i	Electrolux	2,3,4,5,6
727179	01	DMASTCTW BEER DSP."DRAUGHT MASTER" +2°	l	Electrolux	2,3,4,5,6
kits					
880182	01	KWHEELS4 WHEELS (2 W/BRAKE) FOR"DRAUGHT MASTER" + 4°C(with support)		Electrolux	2,3
880190	01	KWHEELS2 WHEELS (2 W/BRAKE) FOR"DRAUGHT MASTER" + 2°C(without support)		Electrolux	2,3
880262	00	DMASTKW20 WHEELS (2 W/BRAKE) FOR"DRAUGHT MASTER" + 2°C		Electrolux	2,3

note;

From serial N°9200.... has been change the compressor gas and water basin, please check the right model on compressor to replace.

Pag./Page

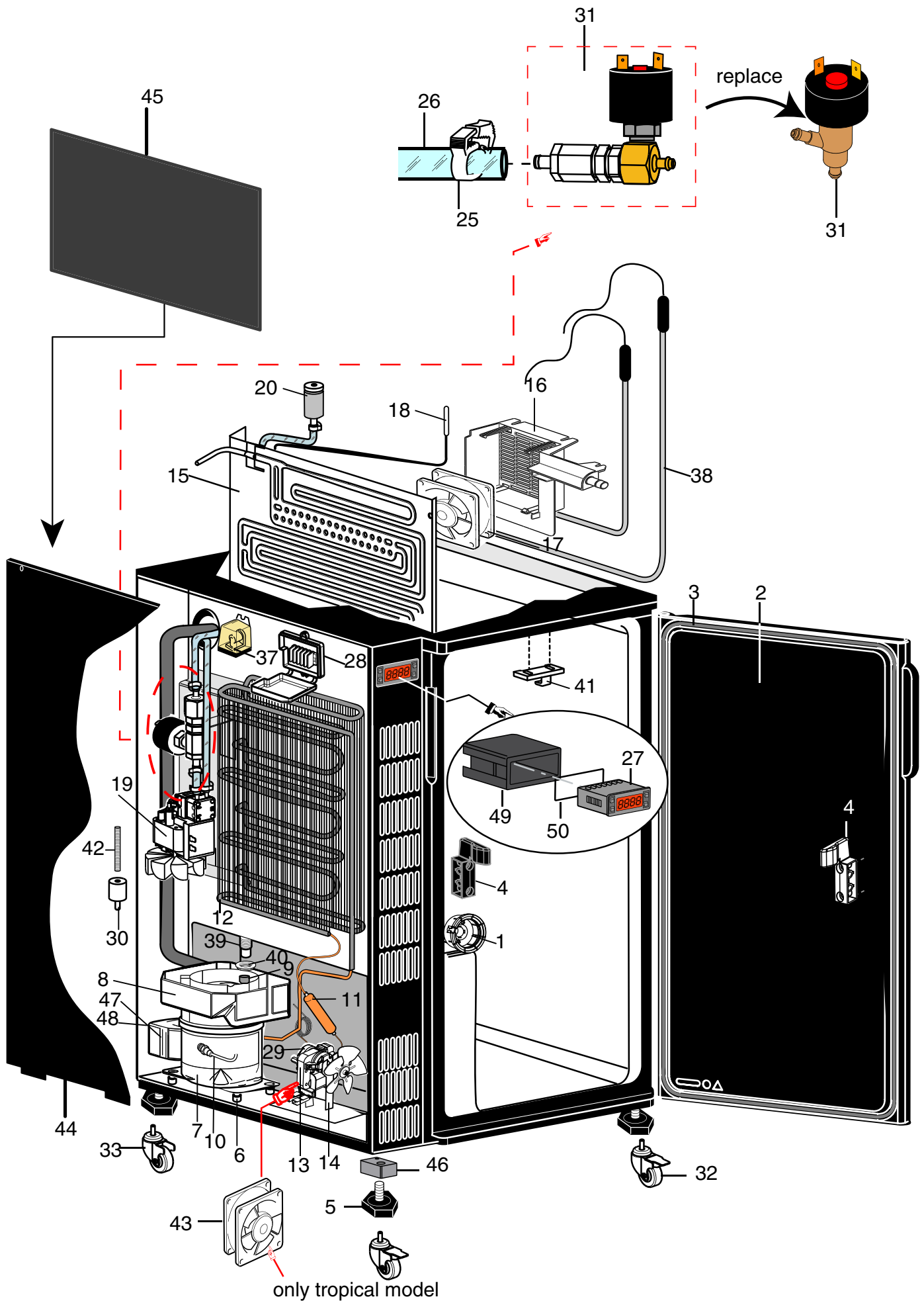
2	Esploso tavolo
3	Lista ricambi
4	Esploso cilindro
5	Lista ricambi
6	Esploso kit
7	Lista ricambi

Index

Counter exploded view
Spare parts list
Cylinder exploded view
Spare parts list
Kit exploded view
Spare parts list

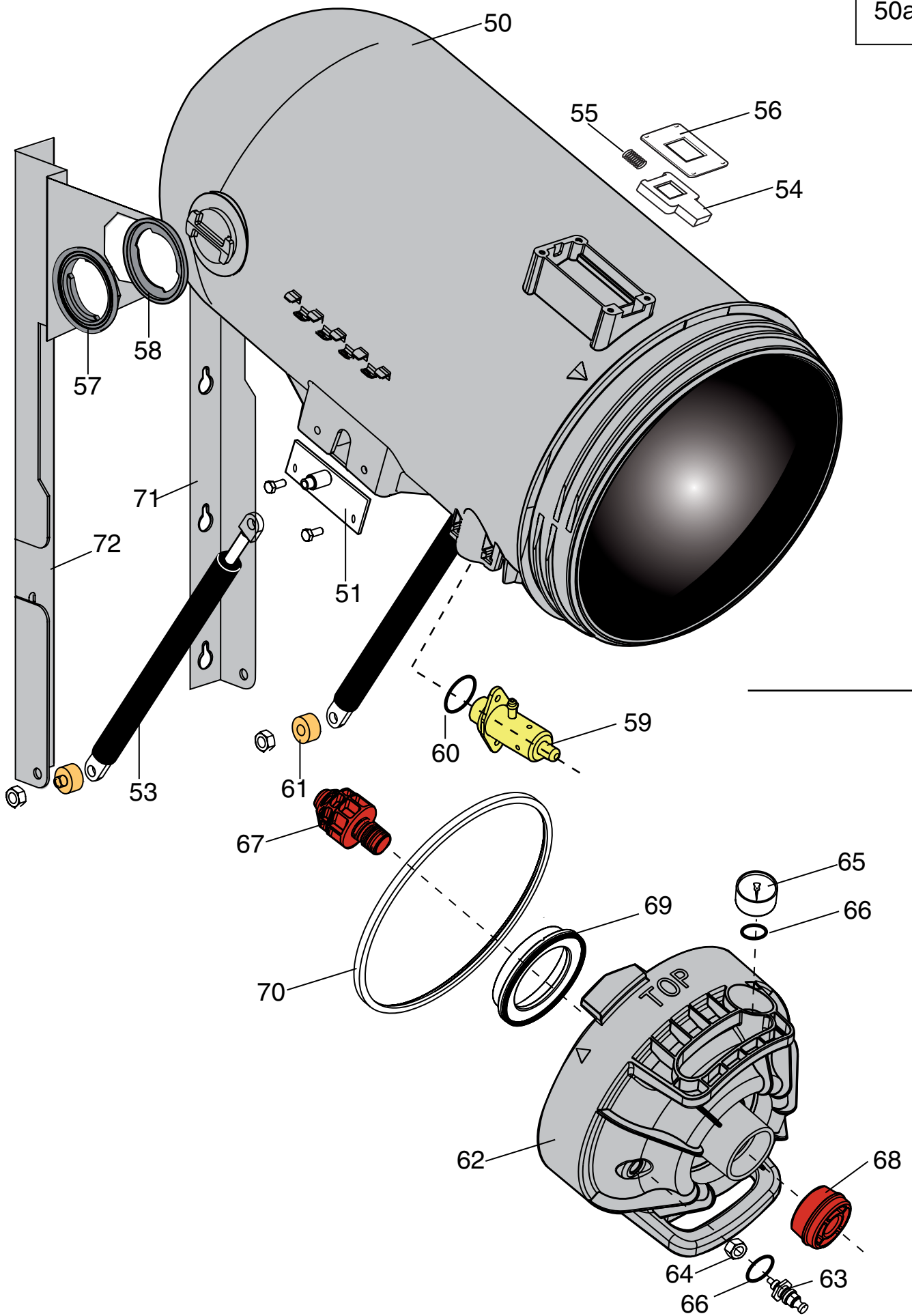
Marchio / Brand: **Electrolux**

Paese / Country: Tutti / All



Beer dispenser "ACE"

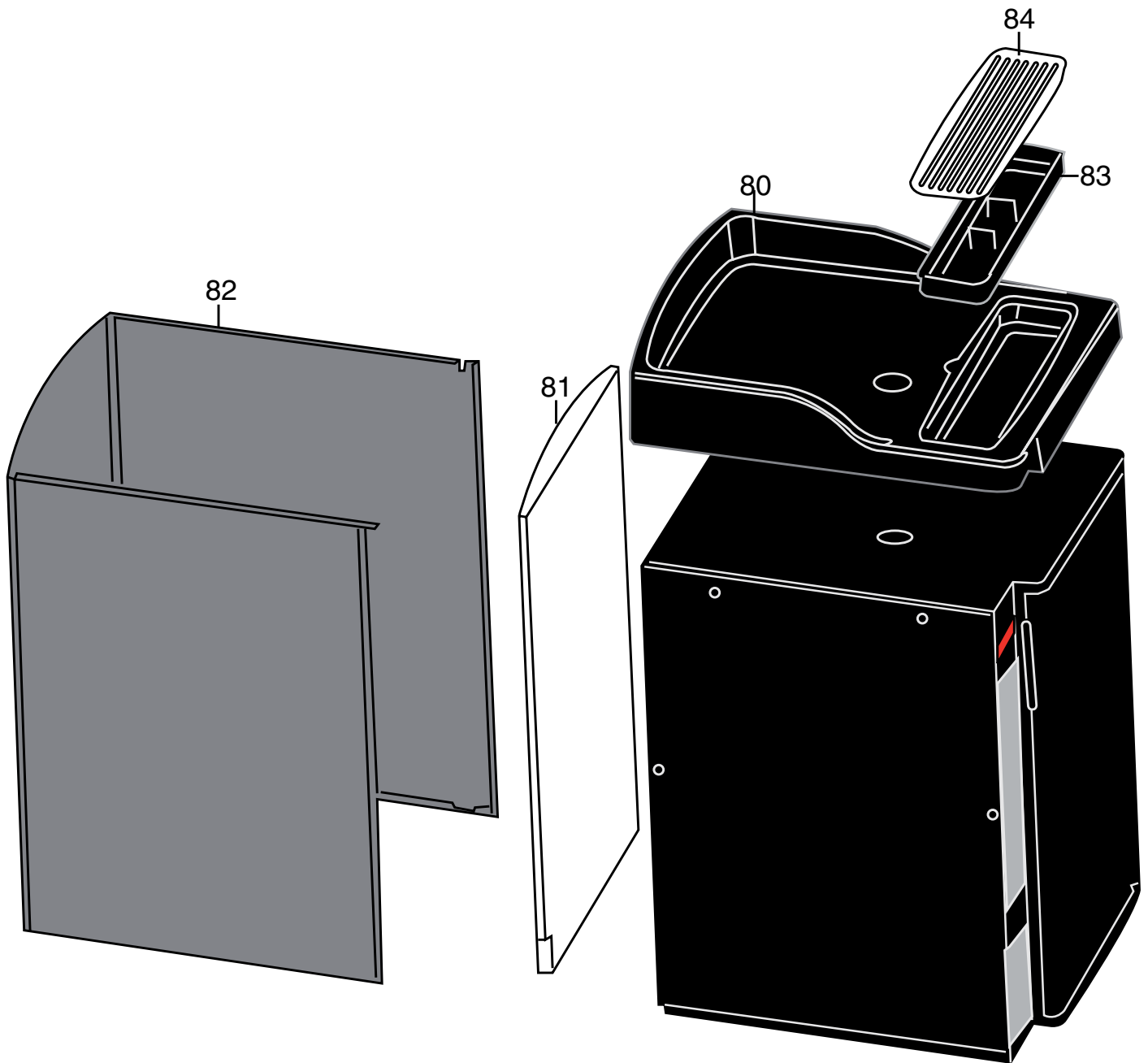
PNC REF	PNC REF	PNC REF	PNC REF	PNC REF	PNC REF	PNC REF	PNC REF	PNC REF	PNC REF	PNC REF
726866 a	727124 d	727176 g	727179 l	726867 b	727088 c	727178 i	727095 e	727134 f	727177 h	
Pos	Code	Descrizione	Description	Ref. / Notes						
		RIFERIMENTO PAG 2	REFERENCE PAGE 2							
1	099944	Dispositivo parcheggio tappo	Parking plug device	a,c,d,f,g,h,i,l						
2	091159	Porta	Door	b,e						
2	091515	Porta	Door							
3	099946	Guarnizione porta	Gasket door	a until serial n°717000..order code 091340						
3	091340	Guarnizione porta	Gasket door	c,a,d,f,g,h,i,l from serial n°717000..						
4	092290	Cricchetto per porta	Stopper door device	to replace the 099947-091342-091343						
5	091721	Piedino in plastica	Foot							
6	087122	Dispositivo per fissaggio compr.	Fixture compressor device							
7	091338	Compressore GL60 PB	compressor GL 60 PB	Until ser. N°9190....						
7	092256	Compressore GVM57AA	compressor GVM57AA	From serial n° 9200....						
8	0A9490	Bacinella raccolta condensa	Water basin condenser	for compressor GL60 PB						
8	092254	Bacinella raccolta condensa	Water basin condenser	for compressor GVM57AA						
9	0A9018	Valvola scarico acqua	Discharge water device							
10	0A8171	Valvola per compressore	Charge/discharge valve for compr.							
11	092157	Filtro deidratore	Dehydrator filter	(new charge of refrigerant 150g of 134a)						
12	099950	Condensatore	Condenser							
13	099951	Ventilatore vano gruppo	Coolin unit motorventilator	a,c,b,e,f,g,h,i,l						
14	099952	Supporto ventilatore	Motorventilator support	Until to ser. n° 724000..						
15	099953	Evaporatore a piastra	Rollbond evaporator							
16	099954	Convogliatore per ventilatore	Air convoir ventilator							
17	091337	Ventilatore cella "adda"	Cell motor ventilator	a,c,d,b,e,f,g,h,i,l						
18	099955	Sonda cella	Cell probe							
19	099956	Compressore aria	Air compressor	a,c,d,f,g,h,i,l						
20	099957	Filtro aria	Air filter	a,c,d,f,g,h,i,l						
25	099961	Fascietta per tubi	Pipe clip	a,c,d,f,g,h,i,l						
26	099962	Tube in gomma mt 2	Air pipe	a,c,d,f,g,h,i,l						
27	099963	Termoregolatore (versione +4°C)	Thermoregulator (version +4°C)	a						
27	091124	Termoregolatore (versione +4°C)	Thermoregulator (version +4°C)	b (use only without air compressor)						
27	091341	Termoregolatore (versione +2°C)	Thermoregulator (version +2°C)	c,d (only unit external relay)						
27	091810	Termoregolatore (versione +2°C)	Thermoregulator (version +2°C)	Only unit until to ser. N°8090000						
27	091810	Termoregolatore (versione +2°C)	Thermoregulator (version +2°C)	c,d,g,h,i,l (only unit without ext. relay)						
27	091810	Termoregolatore (versione +2°C)	Thermoregulator (version +2°C)	Only unit from unit ser. N° 8110000						
27	091535	Termoregolatore (versione +2°C)	Thermoregulator (version +2°C)	f (only unit without external relay)						
27	091820	Termoregolatore (versione +2°C)	Thermoregulator (version +2°C)	Only unit from unit ser. N° 8090144						
27	091535	Termoregolatore (versione +2°C)	Thermoregulator (version +2°C)	e (use only without air compressor)						
27	091820	Termoregolatore (versione +2°C)	Thermoregulator (version +2°C)	Only unit until to ser. N°8110000						
27	091820	Termoregolatore (versione +2°C)	Thermoregulator (version +2°C)	e (use only without air compressor)						
27	091820	Termoregolatore (versione +2°C)	Thermoregulator (version +2°C)	Only unit from ser. N°8120000						
28	099965	Morsettiera	Clamp							
29	0A8719	Gommini per ventilatore	Rubber support to motor ventilator	a,c,b,e,f,g,h,i,l						
30	091153	Antivibrante per c.sore aria	Vibration damping to air c.sor	a,c,d,f,g,h,i,l						
31	091154	Valvola di non ritorno completa	Back valve complete	a,c,d,f,g,h,i,l						
32	091155	Ruota con freno	Weel with brake	a,c,d,b,e,f,g						
33	091156	Ruota senza freno	Weel without brake	a,c,d,b,e,f,g						
37	083215	Relè 60.62.8.230	Relay 60.62.8.230	c,d,e use only until to ser.N°8090144						
38	091345	Resistenza con componenti	Heating element with component	c,d,e,f,g,h,i,l						
39	087912	Piletta di scarico acqua di cond.	Discharge pipe							
40	081797	Dado per piletta	Nut							
41	091531	Staffa a "Z" per fissaggio cilindro	Upper support to "Z" for cylinder							
42	091532	Barra filett. M4 da 50mm comp.aria	Screw support M4/50mm by air comp.							
43	088034	Ventilatore condensatore "fandis"	Condenser motor ventilator	d						
44	091722	Pannello copri gruppo	Carter							
45	091723	Pannello isolante fono assorbente	Sound insulation panel (adesiv)							
46	092115	Spessore in plastica piedini	Foot tickness							
47	091997	Relè compressore e morsettiera	Relay compressore GL60PB							
48	091998	Protettore per GL60PB	Protector compressor GL60PB							
*	099991	Cavo alimentazione	Power cable							
49	092311	Protezione Ip Termoregolatore	Thermoregulator protection							
50	092312	Guarnizione per termor.	Gasket thermoregulator							
*	091797	Supporto compressore aria	Air compressor support							



Beer dispenser "ACE"

PNC	REF	PNC	REF	PNC	REF	PNC	REF	PNC	REF	PNC	REF
726866	a	727124	d	727176	g	727179	l	726867	b	727088	c
								727178	i	727095	e
										727134	f
										727177	h

Pos	Code	Descrizione	Description	Ref. / Notes
		RIFERIMENTO PAG 4	REFERENCE PAGE 4	
50a	091849	Ass. Cilindro di contenimento	Cylinder complete	a,c,d,f,g,h,i,l
50	099966	Cilindro di contenimento	Cylinder	a,c,d,f,g,h,i,l
51	091533	Piastrina superiore per martinetti	keep plate	a,c,d,f,g,h,i,l
53	099969	Molla a gas	Telescopic damper	a,c,d,f,g,h,i,l
54	099970	Cursore di sicurezza cilindro	Safety lock cylinder	a,c,d,f,g,h,i,l
55	099971	Molla per cursore	Spring for safety lock cylinder	a,c,d,f,g,h,i,l
56	099972	Piastrina per cursore	Plate for safety lock cylinder	a,c,d,f,g,h,i,l
57	099973	Ghiera esterna	External ring nut	a,c,d,f,g,h,i,l
58	099974	Controghiera interna	Internal ring nut	a,c,d,f,g,h,i,l
59	099975	Assieme valvola 3 vie	Three-way valve	a,c,d,f,g,h,i,l
60	099976	O-ring per valvola 3 vie	O-ring for three-way valve	a,c,d,f,g,h,i,l
61	091534	Perno per fissaggio molla a gas	Pin for fixing telescopic damper	a,c,d,f,g,h,i,l
62	099978	Assieme tappo cilindro	Cylinder plug complete	a,c,d,f,g,h,i,l
63	099979	Valvola sovrappressione	Over pressure valve	a,c,d,f,g,h,i,l
64	099980	Dado per valvola 1/4" gas	Nut 1/4" gas for over pres. valve	a,c,d,f,g,h,i,l
65	099981	Manometro	Pressure gauge	a,c,d,f,g,h,i,l
66	099982	O-ring	O-ring	a,c,d,f,g,h,i,l
67	099983	Tappo perforazione keg	Keg perforation plug	a,c,d,f,g,h,i,l
68	099984	Tappo sgancio keg	Keg release plug	a,c,d,f,g,h,i,l
69	099985	Guarnizione per keg	Keg gasket	a,c,d,f,g,h,i,l
70	099986	Guarnizione tappo cilindro	Cylinder plug gasket	a,c,d,f,g,h,i,l
71	092300	Supporto cilindro dx	Right support	a,c,d,f,g,h,i,l
72	092299	Supporto cilindro sx	Left support	a,c,d,f,g,h,i,l



Beer dispenser "ACE"

PNC REF	PNC REF	PNC REF	PNC REF	PNC REF	PNC REF	PNC REF	PNC REF	PNC REF	PNC REF	PNC REF
726866 a	727124 d	727176 g	727179 l	726867 b	727088 c	727178 i	727095 e	727134 f	727177 h	

Pos	Code	Descrizione	Description	Ref. / Notes
		RIFERIMENTO PAG 6	REFERENCE PAGE 6	
80	091933	Top	Top	g,h,i,l
81	091934	Distanziale in polistirolo	Polistiren spacer	g,h,i,l
82	091935	Rivestimento estetico-tuborg IT	Aesthetic cover -Tuborg IT	g,h
82	501r01000	Rivestimento estetico-tuborg IT	Aesthetic cover -Tuborg IT	i
83	091936	Vaschetta di raccolta	Basin	g,h,i,l
84	091937	Griglia per vaschetta	Grid basin	g,h,i,l