

**HORIZONTAL REFRIGERATOR
 FRIGORIFERI ORIZZONTALI**

**BEER/SOFT DRINK COOLERS
 50HZ**

Code	Model	Ref	Page	Description	Eng.Ch.
727499	DMPTSS60K	a	2,3,4	ACE1 Electric refrigerator tropical SS. 220V50hz	03-03
727521	DMPSTSSWI	b	2,3,4	ACE1 Electric refrigerator SS. 220V50hz +wheels+handle	02-02
727557	DMSTSSG	b	2,3,4	ACE1 Electric refrigerator SS. 220V50hz +wheels	02-02
727579	DMPSTSSW	b	2,3,4	ACE1 Electric refrigerator SS. 220V50hz +wheels+handle	02-02
727179	DMASTCTW	c	2,3,4	ACE1 Electric refrigerator SS. 220V50hz	02-02
727194	DMPTUC	d	2,3,4	ACE1 Electric refrigerator tropical Under. 220V50hz	10-10
727072	DMPSTSS	e	2,3,4	ACE1 Electric refrigerator SS. 220V50hz	10-10
727069	DMPSTUC	f	2,3,4	ACE1 Electric refrigerator Under. 220V50hz	10-10
727617	DMPTUCSS	g	2,3,4	ACE1 Electric refrigerator tropical SS. 220V50hz +wheels	00-00
727616	DMPSTSSZ	b	2,3,4	ACE1 Electric refrigerator SS. 220V50hz +wheels	00-00

Index

Cabinet and door/Mobile e porta
 Cooling unit assembly/Gruppo refrigerante
 Pneumatic system/ Sistema pneumatico
 Spare parts list/Lista ricambi

Page

2

3

4

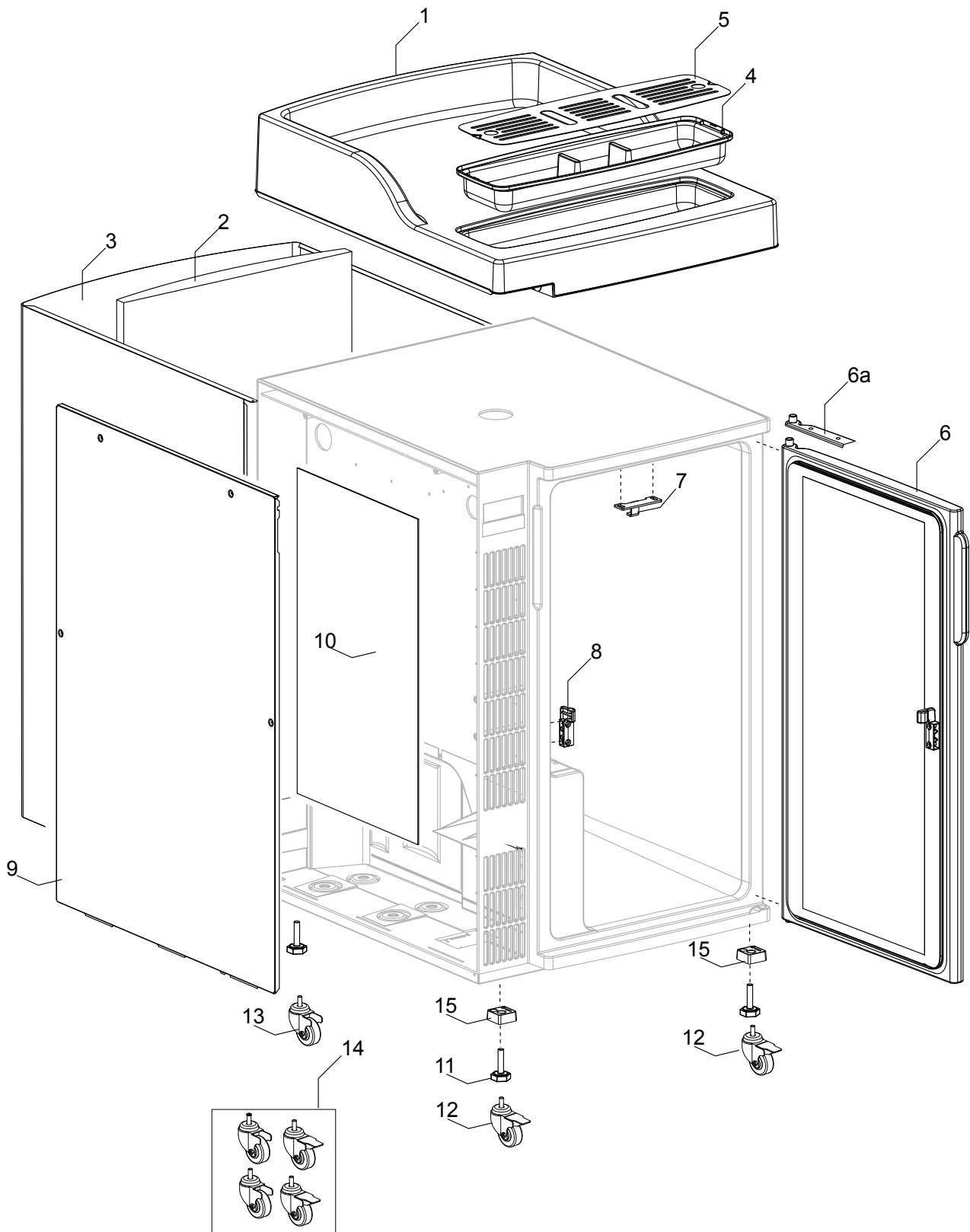
5...

Bold= last change/Grassetto =ultima modifica

Rev.14/12/2015

From Ser. Nr..... Up to Ser. Nr....	Ed. 2015/08/14	Page: 1	Doc No: 553151
--	----------------	---------	-----------------------

Cabinet and door



Illustr:553150_p2

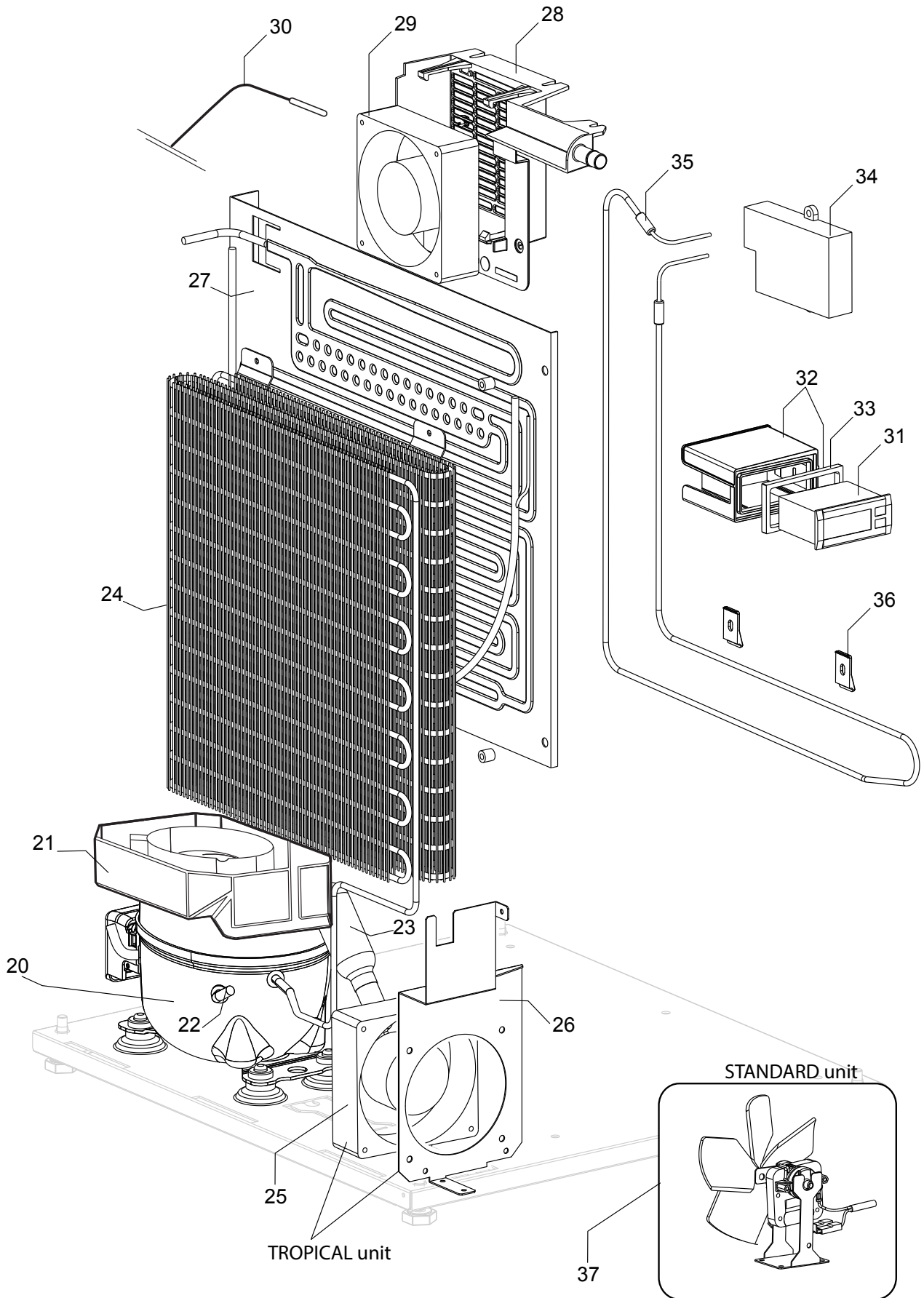
From Ser. Nr.....
Up to Ser. Nr.....

Ed. 2015/08/14

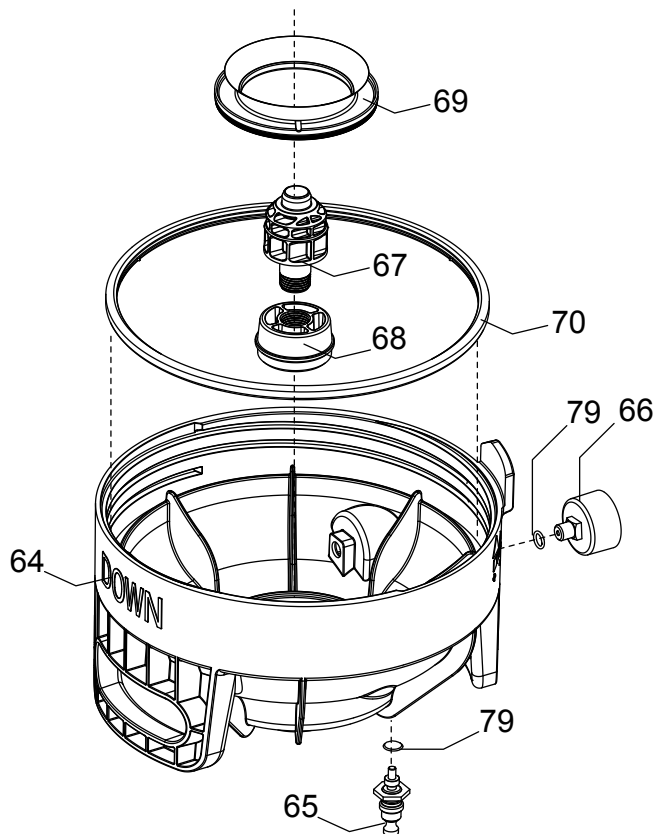
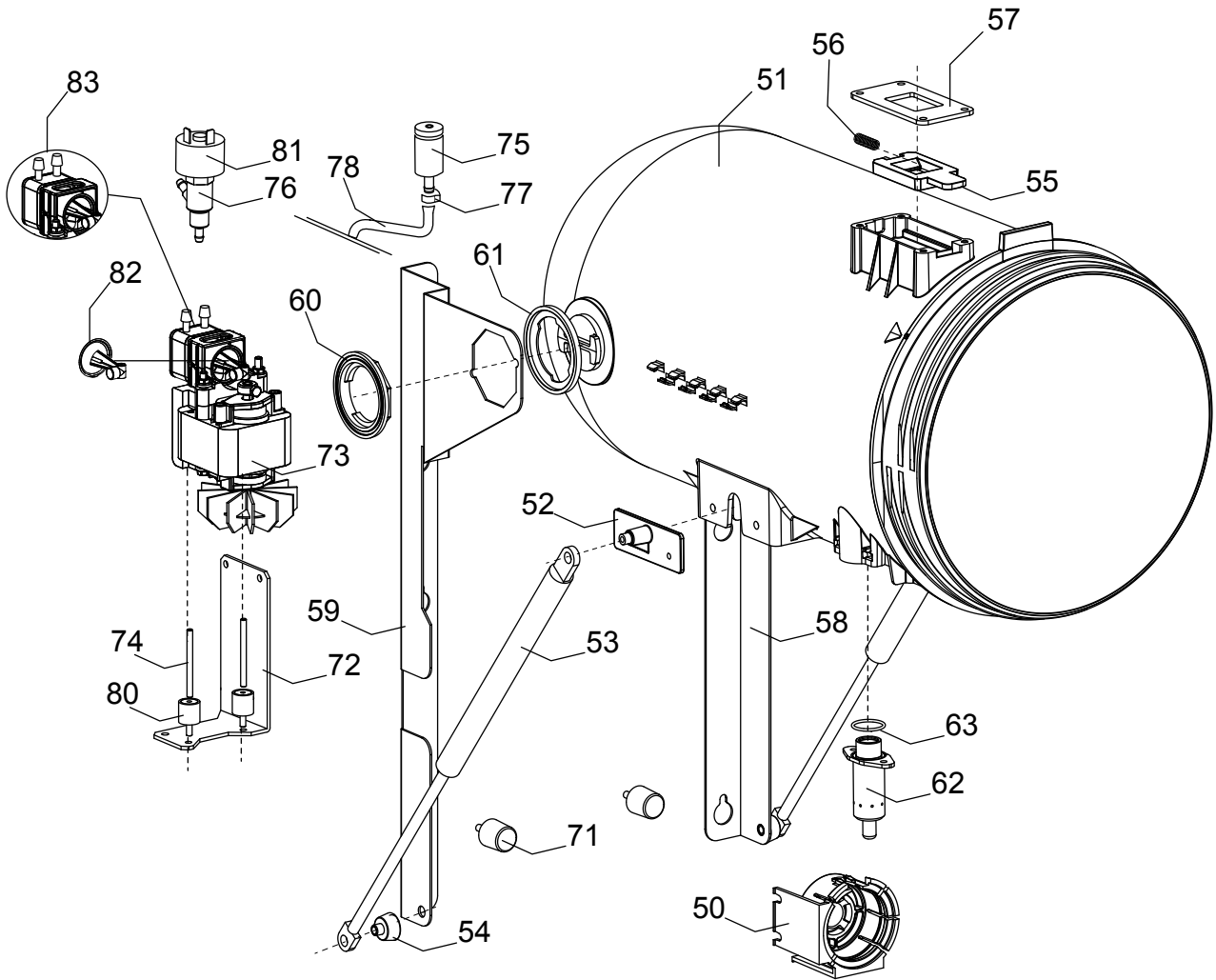
Page: 2

Doc No: 553151

Cooling unit assembly



Pneumatic system



Illustr:553150_p4

Pos	Code	Factory code	Description	Descrizione	Ref/notes
Pag. 2		Cabinets and door		Mobile e porta	Illust:553150 p2
1	091933	0546R09103	TOP	TOP SPINA BIRRA DRAUGHT MASTER	a,b,e,g,c
2	091934	0555R04000	SPACER FOR EXTERNAL COVER	DISTANZIALE RIVESTIMENTO	a,b,e,g,c
3	093067	0501R01200	AESTHETICS COVER	RIVESTIMENTO ESTETICO	a,b,e,g
3	091935	0500R97300	AESTHETICS COVER	RIVESTIMENTO ESTETICO	c
4	091936	0546R09200	BOWL BEER	VASCHETTA RACCOLTA BIRRA	a,b,e,g,c
5	091937	0500R90800	DRAIN GRID	GRIGLIA SGOCCIOLATOIO	a,b,e,g,c
6	091515	0880R32606	DOOR	MODULO PORTA	
6a	093680		REPAIR KIT FOR DOOR	KIT RIPARZIONE PORTA	
7	091531	0505R00401	CYLINDER STOP BRACKET	STAFFA A'Z' BLOCCAGGIO CRICCHET.	
8	092290	0546R11201	DOOR STOPPER	CRICCHETTO FERMAPORTA	
9	092932	0500R00306	CARTER PROTECTION	PROTEZIONE/CARTER NERO 6/10	
10	091723	0569R02800	INSULATION PANEL	PANNELLO ISOLANTE 500X300	
11	091721	0518R01200	FOOT	PIEDINO IVARS ESAGONALE	a,e,d,f,c
12	091155	0835R08500	WHEEL WITH BRAKE	RUOTA CON FRENO	b,g
13	091156	0835R08600	WHEEL WITHOUT BRAKE	RUOTA SENZA FRENO	b,g
14	094718	0832R02800	KIT WHEELS	ASS. SACCHETTO KIT RUOTE	b,g
15	092115	546R06700	SPACER FOR FOOT AND WHEELS	DISTANZIALE PIEDINI RUOTE	
16					
Pag. 3		Cooling unit		Gruppo refrigerante	Illust:553150 P3
20	094715	0684R11600	GAS COMPRESSOR	COMPRES.GL60PB 220-240V 50HZ	
21	0A9490	0542702200	BOWL COMPRESSOR	BACC.RACC.COND. COMPRESSORE	
22	0A8171	0A02021800	COMPRESSOR VALVE	H42 VAL511700800 SCHRADEN	
23	099949	0858R00100	DEHIDRATOR FILTER 135gr freon	FILTER GR.15 2 VIE FORI DIAM.2,5-5,0	a,d,g
23	092157	0858R05401	DEHIDRATOR FILTER 150gr freon	FILTER GR.10 2 VIE CON ACCUMULO	b,e,f,c
24	099950	0830R00103	CONDESER	CONDENSATORE A FILI 3 TUBI	
25	088034	0682719600	FAN CONDENSER	VENTILAT. FANDIS 120X120X38 IP	a,d,g
26	094723	0501R26201	FAN SUPPORT	SUPPORTO VENTILATORE TROPICAL	a,d,g
27	099953	0830R00200	EVAPORATOR	EVAPORATORE PIASTRA ROLL-BOND	
28	099954	0541R00200	AIR CONVEJOR	CONVOGLIATORE IN PLASTICA	
29	091337	0682R01800	FAN CELL	VENT.IP20 ULTRASPEED 230V 50/60HZ	
30	099955	0646R00300	PROBE	SONDA CELLA IP68 CON CAPPUCCIO	
31	091810	0646R11800	THERMOREGULATOR	TERMOREG. AE003AA0 70	
32	093670	0546R11301	THERMOREGULATOR PROTECTION	TEGOLINO TERMOREGOLATORE	
33	092310	0546R11800	THERMOREGULATOR GASKET	GUARNIZIONE TEGOLINO TERM.	
34	094792	0856R25700	WIRING AND CLAMP	ASS.CABLAG.+ MORSETT.ACE 1	b,e,f,c
34	094793	0856R25800	WIRING AND CLAMP	ASS.CABLAG.+ MORSETT.ACE 1 TROP	a,d,g
35	091345	0855R01005	HEATING ELEMENT	ASSIEME RESISTENZA + COMPONEN.	
36	094721	0546R06500	CLIP	CLIP FISSAGGIO RESISTENZA	
37	099951	0682R00101	FAN 220-240/50-60 HZ	VENTILATORE 220-240/50-60 HZ	b,e,f,c
38					
Page 4		Pneumatic system		Sistema pneumatico	Illust:553150 p4
50	099944	0546R00102	PLUG PARKING DEVICE	DISPOSITIVO PARCHEGGIO TAPPO	
51	099966	0547774801	CYLINDER	CILINDRO IN PLASTICA 'ACE'	
52	091533	0530R02000	UPPER GAS STRUTS SUPPORT	SUPPORTO MARTINETTI SUPERIORE	
53	099969	0646767100	GAS STRUTS	MOLLA A GAS 200 NEWTON ACE	
54	091534	0530R01900	LOWER GAS STRUTS SUPPORT	SUPPORTO MARTINETTI INFERIORE	
55	099970	0546R00400	CYLINDER SAFETY SLIDE	CURSORE DI SICUREZZA CILINDRO	
56	099971	0514R00901	SPRING	MOLLA PER CURSORE ACE PROJECT	

