



CABINETS PREMIUM R290

PNC	Avv. Model		Ref.	Page
727323	00/06	FV 2M PREMIUM R290 ELUX -22° FULL 304/304	a	2, 5, 6
727324	00/06	FV 2M PREMIUM R290 ELUX -22° Glass Doors 304/304	d	3, 5, 6
727325	00/07	FV 2M PREMIUM R290 ELUX -22° 4 1/2 Doors 304/304	f	4, 5, 6
727390	00/06	FV 2M PREMIUM R290 ELUX -22° FULL 304/304 UK	c	2, 5, 6
728696	00/06	FV 2M PREMIUM R290 APX -22° FULL 304/304	b	2, 5, 6
728697	00/06	FV 2M PREMIUM R290 APX -22° Glass Doors 304/304	e	3, 5, 6
728713	00/01	FV 2M PREMIUM R290 ALPEN -22° 4 1/2 Doors 304/304	h	4, 5, 6
728741	00/01	FV 2M PREMIUM R290 ALPEN -22° FULL 304/304 UK	g	2, 5, 6

Note: per la corretta identificazione dei componenti, attenersi esclusivamente alle pagine indicate e alla lettera di riferimento.

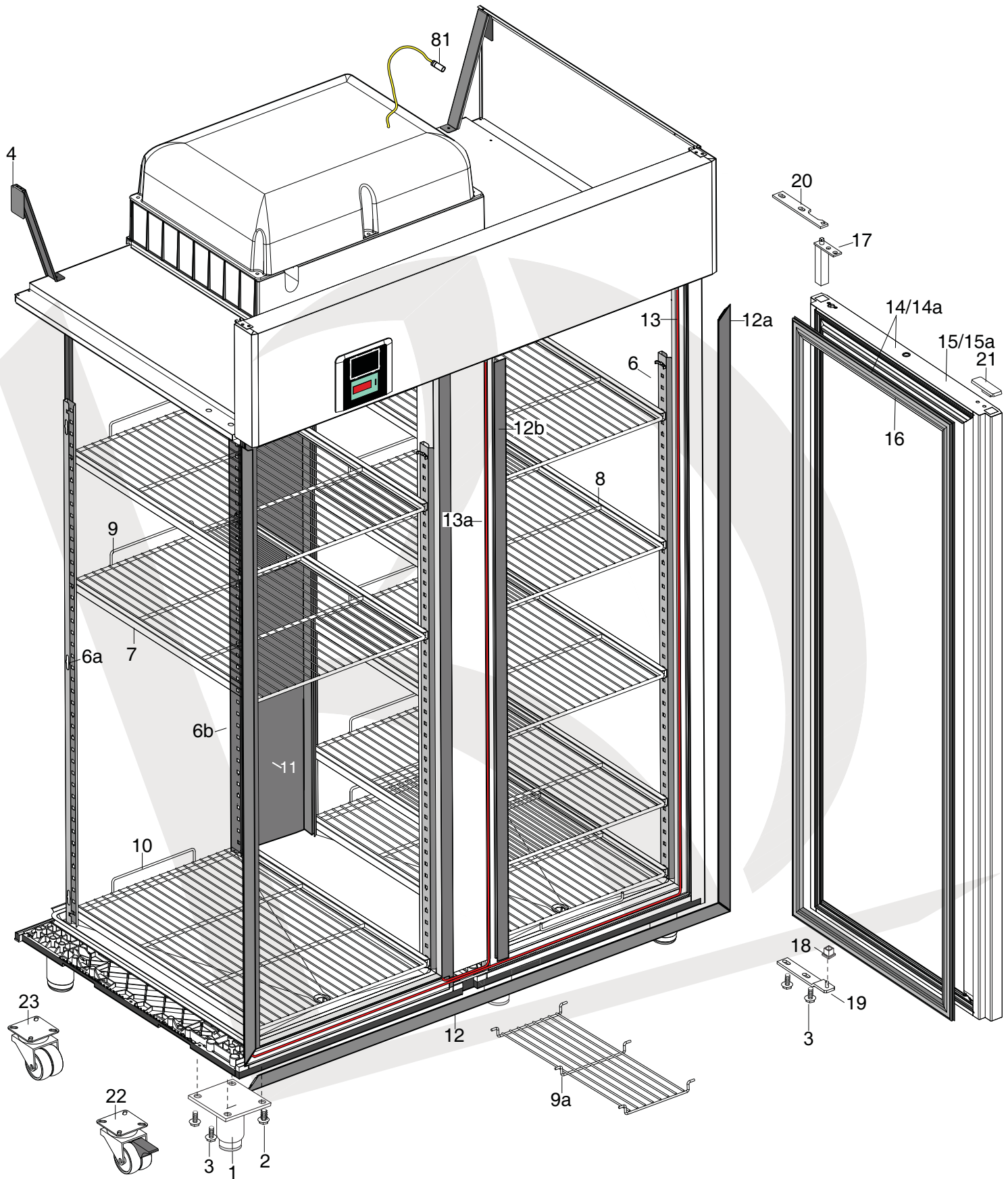
Note: for the correct identification of the components, follow the indicated pages and the reference letter

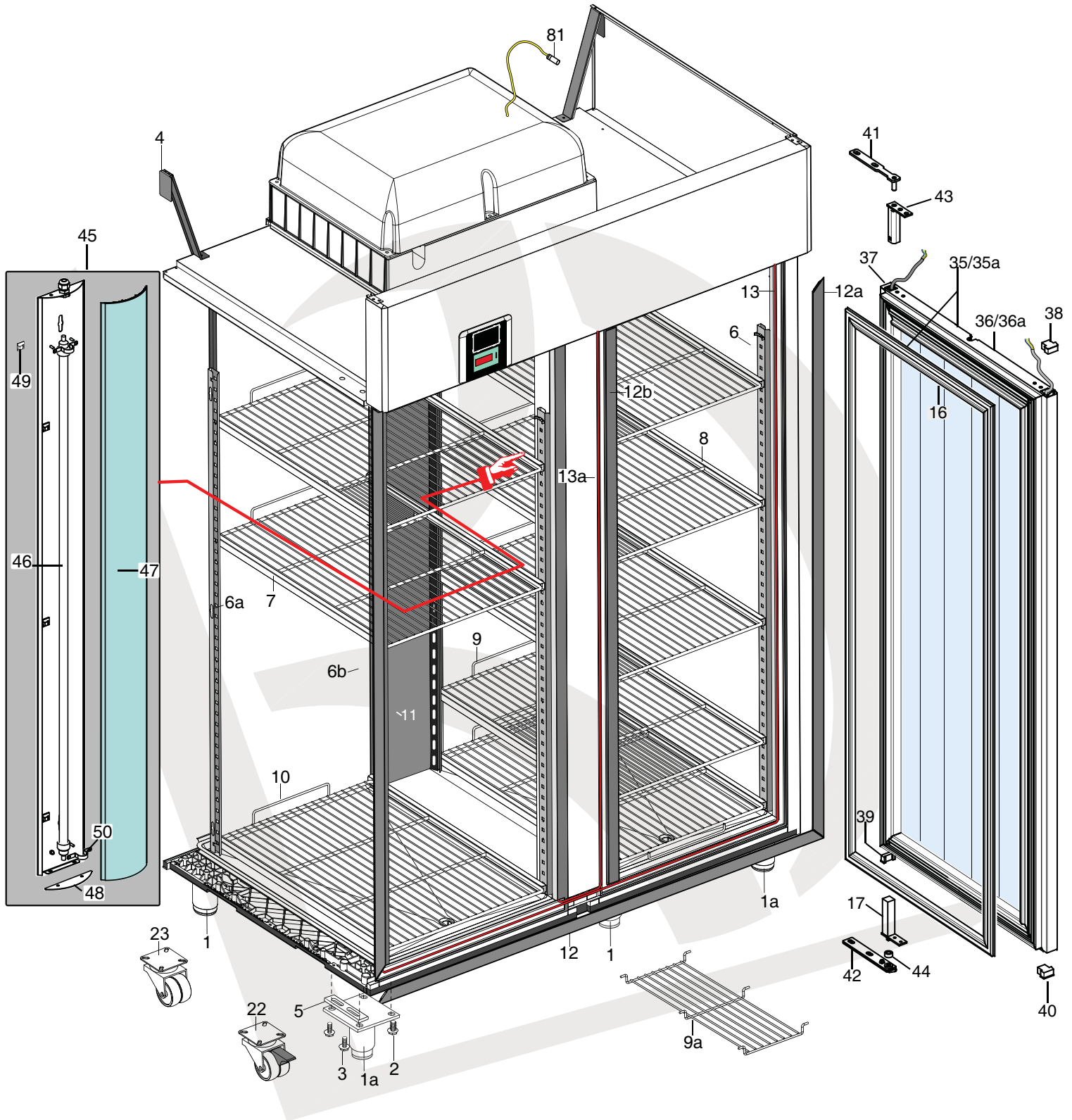
Note:

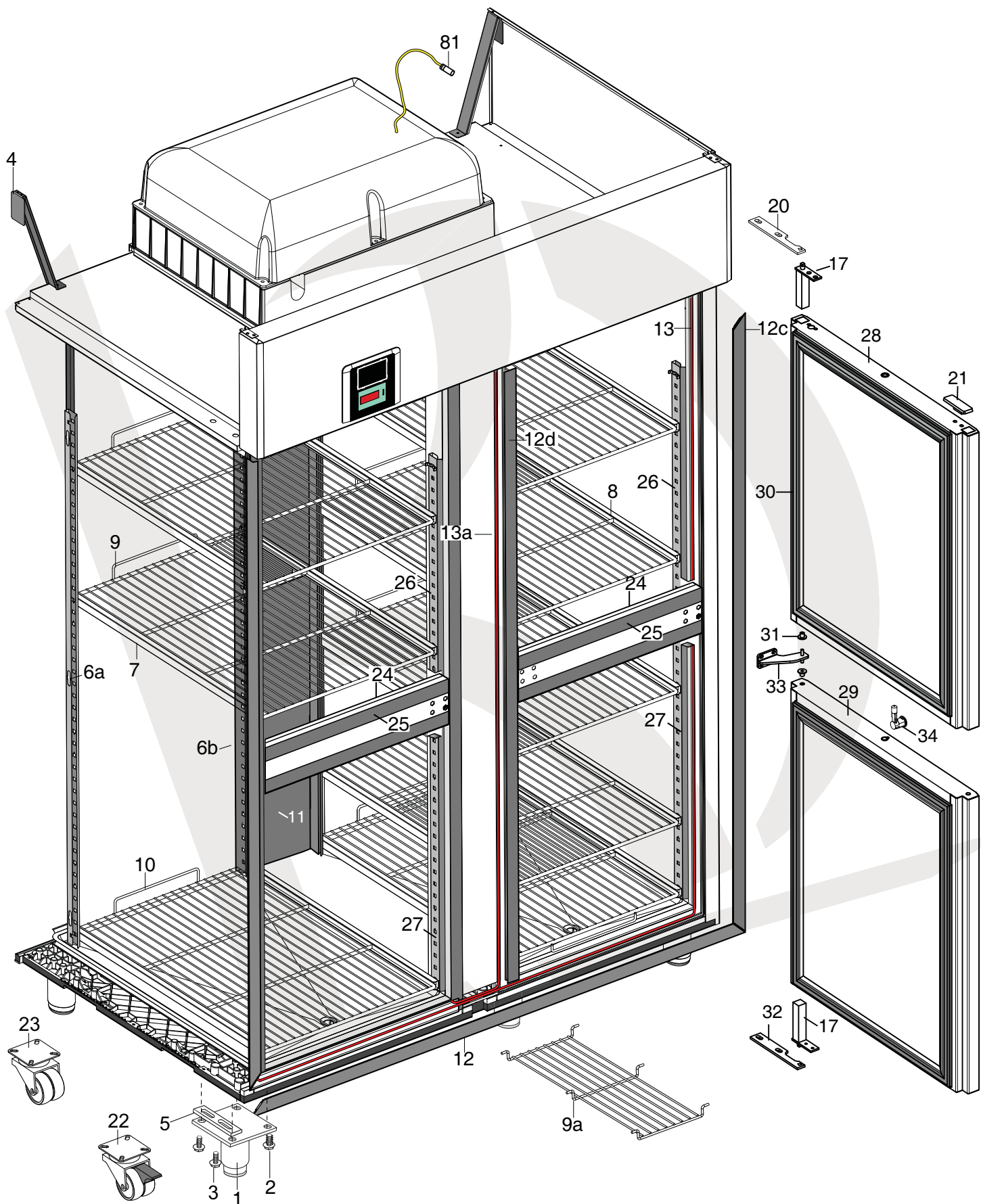
From 11 2014 the components on page 8 (pos.45) have been updated

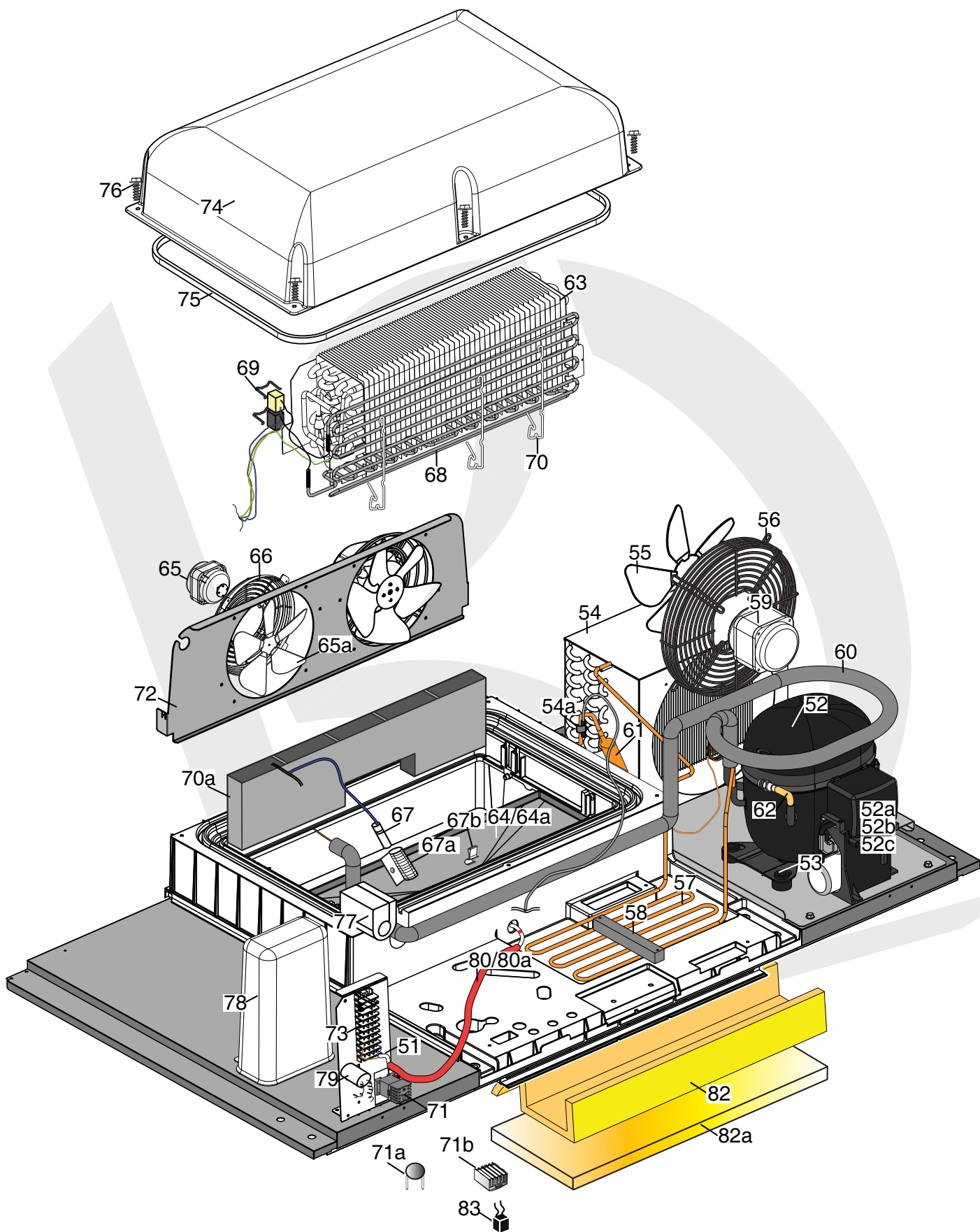
Pag.	Index
2,3,4	Cabinet and door
5	Cooling unit assembly
6	Control panel
7,8,9,10	Spare parts list

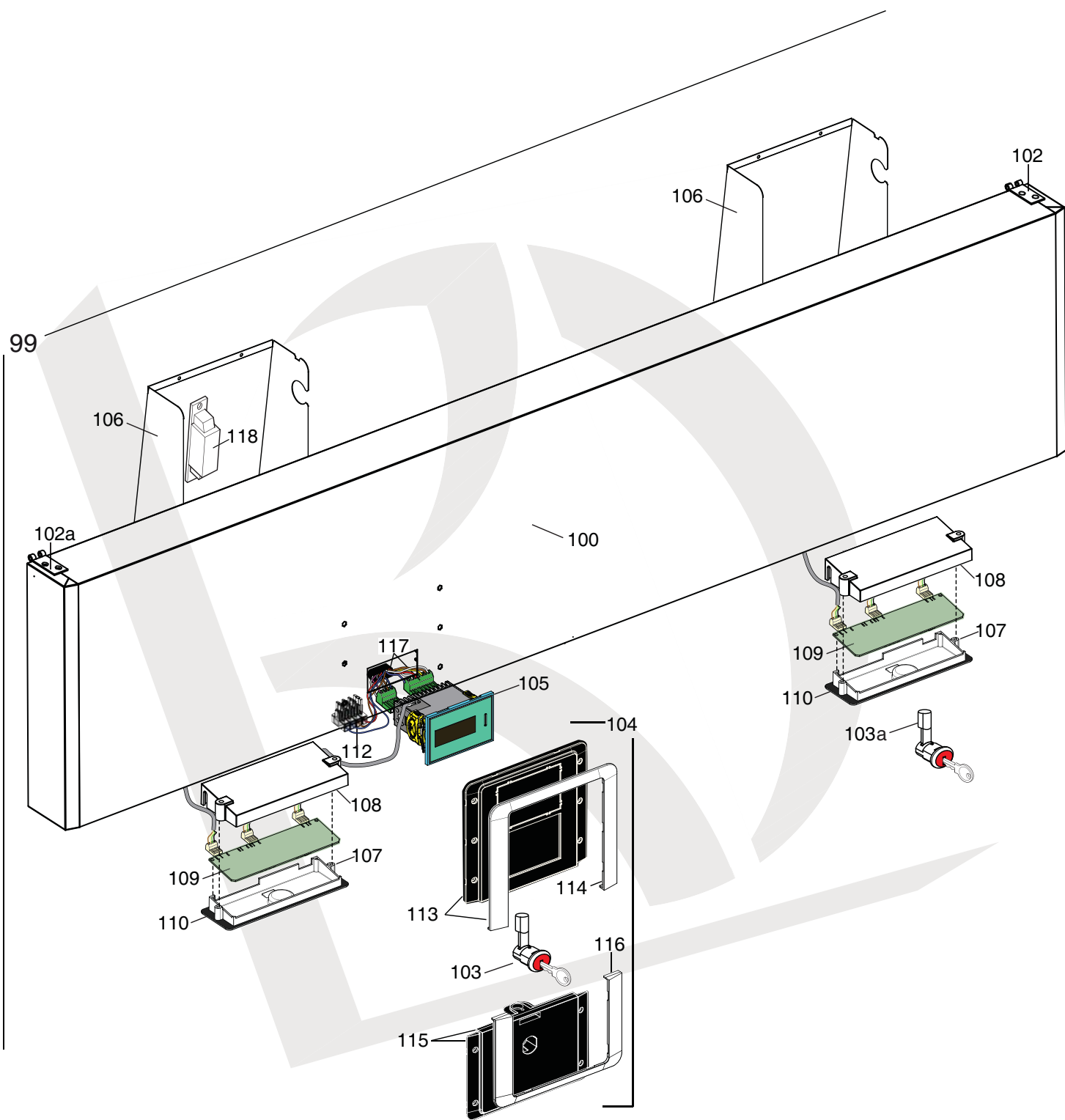
Indice
Armadio e porta
Gruppo refrigerante
Pannello comandi
Lista ricambi











PNC	Ref.	PNC	Ref.	PNC	Ref.	PNC	Ref.	PNC	Ref.	PNC	Ref.	PNC	Ref.
727323	a	728696	b	727390	c	727324	d	728697	e	727325	f	728741	g
728713	h												

Pos	Spare parts code	Factory code	Descrizione	Description	Ref-Note
1	093243	541R05001	Piedino	Foot	
1a	093244	518R02600	Piedino anteriore porta vetro	Back foot glass door	d
2	093245	217555204	Vite per plastica per piedino	Screw (use by fix foot)	
3	093246	518708601	Vite M8x20 per fiss. staffa sup/inf	Screw M8X20 (use by fix bracket)	
4	093394	502R17500	Staffa supporto fianchi	Side support	
6	093355	501R36201	Cremagliera anteriore	Front Rack	
6a	093355	501R36201	Cremagliera posteriore	Back rack	
6b	093355	501R36201	Cremagliera posteriore	Back rack	
7	093358	501R48000	Guida Sx	Left support	
8	093359	501R48200	Guida Dx	Right support	
9	093252	514R10600	Griglia 2/1 rilsan	Grid 2/1 rilsan	a,c,d,f,g,h
9	093360	514R10700	Griglia 2/1 aisi 304	Grid 2/1 aisi 304	b,e
9a	093397	514R11700	Griglia centrale rilsan	Central grid rilsan	a,c,f,g,h
9a	093398	514R11800	Griglia centrale 304	Central grid aisi 304	b
10	093253	514R12200	Griglia di fondo rilsan	Bottom grid rilsan	a,c,d,f,g,h
10	093296	514R12100	Griglia di fondo aisi 304	Bottom grid aisi 304	b,e
11	093497	501R61700	Supporto centrale cremagliere 304	Rack support a304	
12	093545	832R09202	Cornice orrizzontale	Orrizzontal frame	
12a	093255	832R09101	Cornice verticale	Vertical frame	
12b	093399	832R09402	Cornice verticale montante	Vertical frame central support	
12c	093256	832R09300	Cornice verticale 1/2 porte	Vertical frame 1/2 doors	
12d	*	832R09600	Cornice verticale montante 1/2 porte	Vertical frame support 1/2 doors	
13	093400	617R06800	Cavo riscaldante cornice 28,95 W	Heating cable frame 28,95 W	
13a	093401	617R06900	Cavo riscald. mont. corni. 15,98 W	Heating cable frame 15,9 8 W	
13b	093402	617R07700	Cavo riscaldante cornice 1/2 porte	Heating cable frame half doors	
14	093523	835R25102	Porta con guarn. cern.per masch. sx	Door with Gasket, hinge,for templa.(left)	
14a	093503	835R26901	Porta con guarnizione e cerniere dx	Door with gasket, hinge (right)	
15	093524	835R25002	Porta sx per mascherina	Door (left) for template	
15a	093504	835R26701	Porta dx	Door (right)	
16	093257	548R06802	Guarnizione porta pv/pc	Gasket door (gl/fl)	
17	082219	835704001	Cerniera porta	Hinge door	
18	081654	544700601	Boccola per porta	Door bush	
19	093341	833R21600	Staffa inferiore porta	Lower stirrup door	
20	082257	505723801	Staffa superiore porta	Upper stirrup door	
21	093271	541R05300	Tappo per cerniere	Hole hinge plug	
22	093574	835R24800	Ruota rotante con freno	Brake weel	c,g
23	093575	835R24900	Ruota rotante	Weel	c,g
24	093342	880R64100	Traversa per 1/2 porte a304	Support half door a304	
25	093272	543R09901	Cornice per traversa	Support half door frame	
26	093363	501R51700	Cremagliera ant. 1/2 porte sup.	Upper rack 1/2 doors a304	
27	093364	501R46100	Cremagliera ant. 1/2 porte 304 inf.	Lower rack 1/2 doors a304	

PNC	Ref.	PNC	Ref.	PNC	Ref.	PNC	Ref.	PNC	Ref.	PNC	Ref.	PNC	Ref.
727323	a	728696	b	727390	c	727324	d	728697	e	727325	f	728741	g
728713	h												

Pos	Spare parts code	Factory code	Descrizione	Description	Ref - Note
28	093546	835R26303	Ass.1/2 porta superiore a304	Upper half door a304	
29	093519	835R25502	Ass.1/2 porta inferiore a304	Lower half door a304	
30	093273	548R07101	Guarnizione magnetica 1/2 porte	Half door gasket	
31	093392	546R21100	Boccola per cerniera 1/2 porte	Half door bush	
32	093301	833R21900	Ass. cerniera inferiore	Lower hinge assembly	
33	093344	505R12400	Cerniera centrale	Central hinge door	
34	093433	833R21100	Serratura	Latch	
35	093549	880R57701	Porta con guarn. cern.per masch.sx	Door with Gasket,hinge,for templa.(left)	
35a	093511	880R63902	Porta con guarn. cern.per masch.dx	Door with Gasket,hinge,for templa.(right)	
36	093496	879R15900	Porta vetro bt sx	Left Glass door freezer	
36a	093505	879R18700	Porta vetro bt dx	Right Glass door bt	
37	093535	546R22400	Tappo sup. dx pv	Upper right plug door GL	
38	093536	546R22300	Tappo sup. sx pv	Upper left plug door GL	
39	093537	546R22500	Tappo inf. dx pv	Lower right plug door GL	
40	093538	546R22200	Tappo inf. sx pv	Lower left plug door GL	
41	093349	505R12700	Staffa superiore pv	Upper hinge GL	
42	093301	833R21900	Ass. staffa inf.(reversibile) pv	Lower bracket (reversible)	
43	093320	835R28100	Ass cerniera sup pv	Upper hinge GL	
44	093517	546R23100	Boccola per cerniera PV	Hinge bush GL	
45	093303	880R60700	Ass. lampada completo	Light support assembly	d, e up to 2471...
45	094484	835R26801	Ass. lampada completo	Light support assembly	d, e from 2481...
46	093350	661R01000	Lampada 28W	Neon 28W	
47	093258	546R22600	Frontale lampada	Protection light	
48	093351	501R49500	Tappo chiusura luce	Plug of clousure	
49	093352	546R23200	Ferma cavo	Wiring stopper	
50	093321	501R50200	Fermo lampada	Stopper light	
51	*	501R66800	Supporto impianto elettrico	Electrical wiring support	
52	093423	684R06000	Compressore (NT221OU)220-240/50	Compressor (NT221OU)220-240/50	
52a	*	*	Relè avviamento	Start relay	
52b	*	*	Protettore	Protector	
52c	*	*	Condensatore di avviamento	Start capacitor	
53	087122	518708401	Fissaggio compressore	Rubber compressor	
54	093404	830R05000	Condensatore 25X21,65	Condenser	
54a	092360	646R09400	Sonda condensatore	Probe condenser	
55	084780	511704600	Ventola 254-34	Ventola 254-34	
56	092651	514R07500	Protezione ventola	Fan protection	
57	*	515R13001	Serpentina evap. acqua di conden.	Evaporation water pipe	
58	093406	501R41700	Fissaggio serpentina	Stopper pipe	
59	093420	682R06000	Ventilatore cond.	Condenser ventiator	

PNC	Ref.	PNC	Ref.	PNC	Ref.	PNC	Ref.	PNC	Ref.	PNC	Ref.	PNC	Ref.
727323	a	728696	b	727390	c	727324	d	728697	e	727325	f	728741	g
728713	h												

Pos	Spare parts code	Factory code	Descrizione	Description	Ref - Note
60	*	858R07100	Scambiatore	Heat exchanger	
61	0A9371	805733702	Filtro	Dehidrator filter	
62	0A9459	845708500	Valvola per compressore	Compressor valve (charge or disch.)	up to 219070.. (2012)
62	085505	845713000	Valvola per compressore	Compressor valve (charge or disch.)	from to 220070.. (2012)
63	093408	830R04301	Evaporatore 5R 8T 2 circ.	Evaporator 5R 8T	
64	093278	833R21201	Vaschetta evaporatore	Evaporator tray	
64a	093409	548R07200	Isolante per vaschetta evaporatore	Evaporator tray insulation	
65	093410	682R06500	Ventilatore evaporatore (EBM) 1800	Evaporator fan (EBM)	Up to 5051...
65	094487	682R08700	Ventilatore evaporatore (EBM) 1800	Evaporator fan (EBM)	From 5061...
65a	093411	511R01100	Ventola 154 ebm	Fan 154 ebm	
66	093412	514R12300	Griglia ventilatore	Motor fan support	
67	092173	646R06700	Sonda cella	Cavity probe	
67a	091601	546R07500	Gabbietta per sonda	Probe protection	
67b	093547	514R12900	Fermo per cavo riscaldante	Stopper/spring for heating cable	
68	093413	617R06300	Resistenza con termost. 750w	Heating element with thermostat	
69	093487	514R11600	Molla per fissaggio termostati	Thermostat spring	
70	093548	514R10900	Molla per fissaggio resistenza 5R	Heating element spring 5R	
70a	093414	501R38601	Deviatore aria	Air conveyor	
71	093466	648R05600	Relè opto22	Relay	
71a	093776	648R05300	Varistore	Varistor	
71b	093775	648R05700	Dissipatore	Dissipator	
72	093314	501R44801	Convogliatore evaporatore 2 fori	Evaporator conveyor	
73	093528	639R09900	Morsettiera	Clamp	
74	093261	835R24101	Assieme Calotta	Evaporator cover	
75	093262	14701R003	Neoprene espa. 8x13,3 nero (M4)	Gasket cover (neoprene 8x13,3)	
76	093245	217555204	Vite senza punta x plastica	Cover screw	
77	093263	546R19702	Tamponcino per tubi	Pipe cover insulation	
78	093264	541R04801	Copertura impianto elettrico	Wiring cover	
79	092257	694R00501	Filtro antidisturbo	Electrical filter	
80	093415	617r07800	Resistenza scarico condensa	Drain heating	
80a	*	110067017	Guaina per resistenza scarico con.	Drain heating cable protection	
81	093371	646R10900	Sonda ambiente	Ambient probe	
82	093489	559R01900	Coibentazione carter	Air blanketing	
82a	093485	555R05600	Coibentazione carter aggiunta	Air blanketing (plus)	
83	084987	694700800	Filtro proc.	Filter proc.	d,e

PNC	Ref.	PNC	Ref.	PNC	Ref.	PNC	Ref.	PNC	Ref.	PNC	Ref.	PNC	Ref.
727323	a	728696	b	727390	c	727324	d	728697	e	727325	f	728741	g
728713	h												

Pos	Spare parts code	Factory code	Descrizione	Description	Ref - Note
99	093589	880R53005	Cruscotto senza mascherina A304	Panel without template A304	a,b,c,f,g,h
99	*	880R62106	Cruscotto senza masch. aisi 304 PV	Panel without template aisi 304 GL	d,e
100	093501	509R13603	Cruscotto	Panel 304 AISI	
102	093609	832R10100	Cerniera per cruscotto dx	Hinge for panel (right)	
102a	093610	832R10200	Cerniera per cruscotto	Hinge for panel (left)	
103	093345	833R20900	Serratura	Latch	
103a	093433	833R21100	Serratura	Latch	
104	093383	855R11100	Ass.macherina porta/cruscotto Elux	Complete template door and panel	a,c,d,f,h
104	093385	855R11300	Ass.macherina porta/cruscotto Apx	Complete template door and panel	b,e,g
105	093437	646R10601	Termoregolatore ir33 premium pc	Thermoregulator premium	To be setted
106	093295	501R37401	Protezione	Protection led-lamp	
107	093386	546R19501	Supporto scheda led	Support led-lamp	up to 237070.. (2012)
108	093387	546R19600	Protezione scheda led	Protection led-lamp	
109	093389	648R05000	Scheda led 2M	Led-lamp board GL	up to 237070.. (2012)
109	*	855R12800	Scheda led 2M+supporto	Led-lamp board GL +support	from to 238100.. (2012)
110	093390	569R05900	Guarnizione per scheda led	Ledlamp board gasket	
112	093391	639R10400	Morsetto	Clamp	
113	*	855R10200	Ass. mascherina cruscotto Elux	Assembled template panel Elux	a,c,d,f
113	*	855R10400	Ass. mascherina cruscotto Apx	Assembled template panel Apx	b,e,g,h
114	*	546R20000	Cornice mascherina cruscotto elux	Template frame for panel Elux	a,c,d,f
114	*	546R20100	Cornice mascherina cruscotto Z/Apx	Template frame for panel Z/Apx	b,e,g,h
115	*	855R10500	Ass. mascherina porta Elux	Assembled template door Elux	a,c,d,f
115	*	855R10700	Ass. mascherina porta Apx	Assembled template door Apx	b,e,g,h
116	*	546R20200	Cornice mascherina porta Elux	Control door frame Elux	a,c,d,f
116	*	546R20300	Cornice mascherina porta Z/Apx	Control door frame Z/Apx	b,e,g,h
*	093491	217541085	Vite per fissaggio mascherina M3x8	Screws M3X8 for control door/panel	a,d,e,f,h
117	*	639R06800	Connettore dritto 3 vie	Connector 3 ways right	
117	*	639R06900	Connettore dritto 7 vie	Connector 7 ways right	
117	099740	*	Connettore 90° 7 vie	Connector 7 ways 90°	
117	099741	*	Connettore 90° 5 vie	Connector 5 ways 90°	
117	088998	*	Connettore 90° 3 vie	Connector 3 ways 90°	
117	099743	*	Connettore 90° 3 vie piccolo	Connector 3 ways 90° small	
117	099742	*	Connettore 90° 2 vie	Connector 2 ways 90°	
117	091682	*	Connettore 90° 4 vie	Connector 4 ways 90°	
117	091684	*	Connettore 90° 5 vie	Connector 5 ways 90°	
*	093180	639R09600	Convertitore spina UK	UK plug converter	c,g
118	093270	624R01400	Alimentatore	Light power	d,e